



**BUILDING CODE COMPLIANCE OFFICE (BCCO)  
PRODUCT CONTROL DIVISION**

**MIAMI-DADE COUNTY, FLORIDA  
METRO-DADE FLAGLER BUILDING  
140 WEST FLAGLER STREET, SUITE 1603  
MIAMI, FLORIDA 33130-1563  
(305) 375-2901 FAX (305) 375-2908**

**NOTICE OF ACCEPTANCE (NOA)**

---

**UBBINK (U.K.) Ltd.  
Borough Road Brackley  
Northants England, NN137TB**

**SCOPE:**

This NOA is being issued under the applicable rules and regulations governing the use of construction materials. The documentation submitted has been reviewed by the BCCO and accepted by the Building Code and Product Review Committee to be used in Miami Dade County and other areas where allowed by the Authority Having Jurisdiction (AHJ).

This NOA shall not be valid after the expiration date stated below. The BCCO (In Miami Dade County) and/or the AHJ (in areas other than Miami Dade County) reserve the right to have this product or material tested for quality assurance purposes. If this product or material fails to perform in the accepted manner, the manufacturer will incur the expense of such testing and the AHJ may immediately revoke, modify, or suspend the use of such product or material within their jurisdiction. BCCO reserves the right to revoke this acceptance, if it is determined by BCCO that this product or material fails to meet the requirements of the applicable building code.

This product is approved as described herein, and has been designed to comply with the South Florida Building Code, 1994 Edition for Miami-Dade County or Florida Building Code.

**DESCRIPTION: Ubivent Roof Ventilating Tile**

**RENEWAL** of this NOA shall be considered after a renewal application has been filed and there has been no change in the applicable building code negatively affecting the performance of this product.

**TERMINATION** of this NOA will occur after the expiration date or if there has been a revision or change in the materials, use, and/or manufacture of the product or process. Misuse of this NOA as an endorsement of any product, for sales, advertising or any other purposes shall automatically terminate this NOA. Failure to comply with any section of this NOA shall be cause for termination and removal of NOA.

**ADVERTISEMENT:** The NOA number preceded by the words Miami-Dade County, Florida, and followed by the expiration date may be displayed in advertising literature. If any portion of the NOA is displayed, then it shall be done in its entirety.

**INSPECTION:** A copy of this entire NOA shall be provided to the user by the manufacturer or its distributors and shall be available for inspection at the job site at the request of the Building Official.

This NOA consists of pages 1 through 5  
The submitted documentation was reviewed by Frank Zuloaga, RRC



**NOA No.: 01-0829.01  
Expiration Date: 01/03/06  
Approval Date: 01/03/02  
Page 1 of 5**

## ROOFING ASSEMBLY APPROVAL

**Category:** Roofing  
**Sub-Category:** Roofing Vents  
**Material:** Plastic

### TRADE NAMES OF PRODUCTS MANUFACTURED OR LABELED BY APPLICANT

<u>Product</u>	<u>Dimensions</u>	<u>Test Specification</u>	<u>Product Description</u>
UB2	Duplicate those of specific slate or tile.	PA 100A	Tile roof vent for installation on roofs using rounded profile tiles. Manufactured from PVC-U plastic.
UB5	Duplicate those of specific slate or tile.	PA 100A	Tile roof vent for installation on roofs using low profile and flat tiles. Manufactured from PVC-U plastic.
UB14	Duplicate those of specific slate or tile.	PA 100A	Tile roof vent for installation on roofs using flat or rounded profile tiles. Manufactured from PVC-U plastic.

### EVIDENCE SUBMITTED

<u>Test Agency/Identifier</u>	<u>Name</u>	<u>Report</u>	<u>Date</u>
Center For Applied Engineering, Inc.	PA 100A	07-07-00-93	08/23/94



NOA No.: 01-0829.01  
Expiration Date: 01/03/06  
Approval Date: 01/03/02  
Page 2 of 5

## APPROVED APPLICATIONS

**Tradename:** UB2, UB5, or UB14

**System Type A:** Mechanical attachment of tile vent to roof deck.

**Slot:** None. See below.

**Installation:** Lay tiles to where vent is to be located. (On reroof, remove one tile for vent location). Cut underlayment close to batten and preceding tile, or 3" down from the top edge of the tile row. Make cut in a triangular shape along two sides, with each cut 6" long. Press flap in place and nail to deck. Position Vent Tile and nail through location dimples with corrosion resistant, Ring Shank Full Head Nails. Continue laying tile as normal. Clamp bottom right corner of vent to interlock of next tile with Ubbink Tile Clip.

### Ventilation

**Calculations:** 35.0 in.<sup>2</sup> of ridge installation over slot cut in decking.

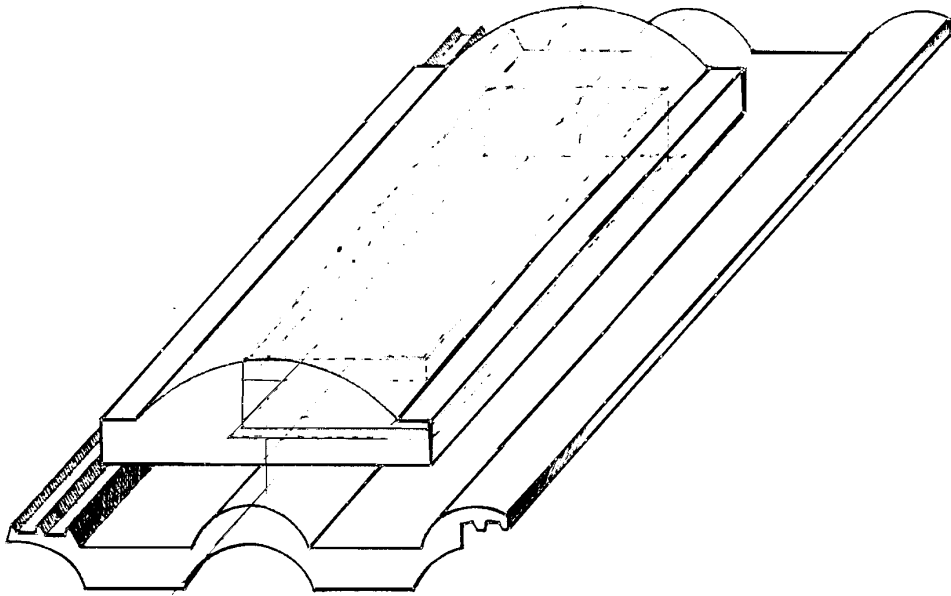
## GENERAL LIMITATIONS:

1. Refer to applicable building code for requirements for calculating the total required ventilation.
2. Ridge vent ventilators shall not be installed on roof mean heights greater than 33 ft.

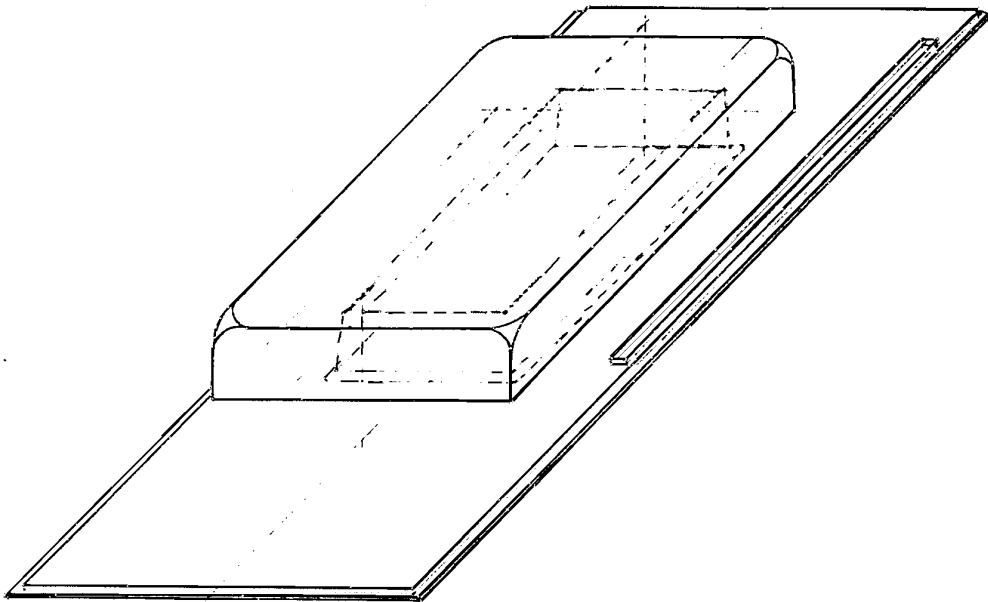


NOA No.: 01-0829.01  
Expiration Date: 01/03/06  
Approval Date: 01/03/02  
Page 3 of 5

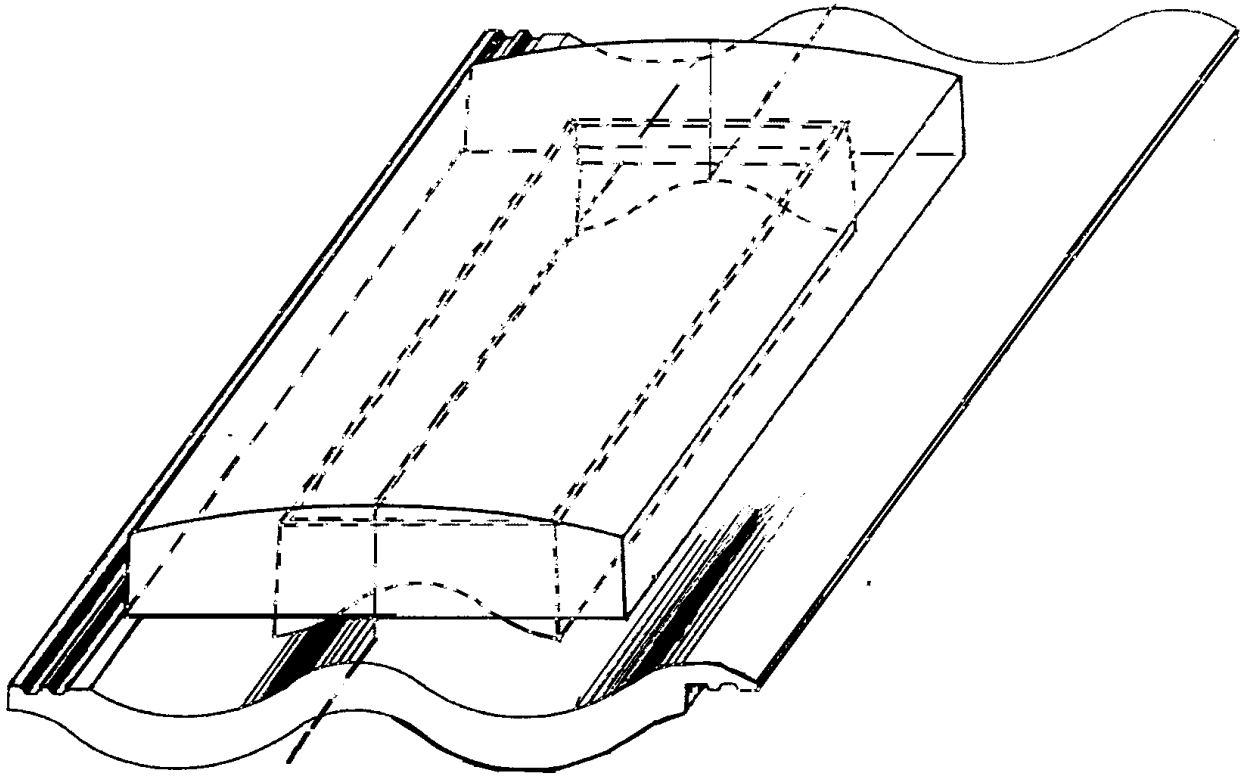
**DETAIL  
UB2 Vent**



**UB5 Vent**



**DETAIL CONT..  
UB14 Vent**



**END OF THIS ACCEPTANCE**



**NOA No.: 01-0829.01  
Expiration Date: 01/03/06  
Approval Date: 01/03/02  
Page 5 of 5**