

MIAMI-DADE COUNTY, FLORIDA
 METRO-DADE FLAGLER BUILDING
 140 WEST FLAGLER STREET, SUITE 1603
 MIAMI, FLORIDA 33130-1563
 (305) 375-2901 FAX (305) 372-6339
www.miamidade.gov/buildingcode

**BUILDING CODE COMPLIANCE OFFICE (BCCO)
 PRODUCT CONTROL DIVISION
 NOTICE OF ACCEPTANCE (NOA)**

**Jeld-Wen, Inc. (OR)
 3737 Lakeport Blvd.
 Klamath Falls, OR 97601**

SCOPE:

This NOA is being issued under the applicable rules and regulations governing the use of construction materials. The documentation submitted has been reviewed by Miami-Dade County Product Control Division and accepted by the Board of Rules and Appeals (BORA) to be used in Miami Dade County and other areas where allowed by the Authority Having Jurisdiction (AHJ).

This NOA shall not be valid after the expiration date stated below. The Miami-Dade County Product Control Division (In Miami Dade County) and/or the AHJ (in areas other than Miami Dade County) reserve the right to have this product or material tested for quality assurance purposes. If this product or material fails to perform in the accepted manner, the manufacturer will incur the expense of such testing and the AHJ may immediately revoke, modify, or suspend the use of such product or material within their jurisdiction. BORA reserves the right to revoke this acceptance, if it is determined by Miami-Dade County Product Control Division that this product or material fails to meet the requirements of the applicable building code.

This product is approved as described herein, and has been designed to comply with the Florida Building Code, including the High Velocity Hurricane Zone.

**DESCRIPTION: Series "Jeld-Wen(R) Steel" 6'8" S/ E Outswing Opaque Steel Door - L.M.I.
 With or Without Sidelites - N.I.**

LIMITATION: Sidelites Require Miami-Dade Approved Impact Resistant Shutters

APPROVAL DOCUMENT: Drawing No. S-2102-01, titled "Series Outswing Steel Edge Opaque Impact Steel Door Up To 9'0" x 6'8" With & Without Non-Impact Sidelites", sheets 1 through 7 of 7, dated 12/26/2001 with revision D, dated 10/02/2007, prepared by PTC, LLC., dated 10/12/2007, signed and sealed by Eric S. Nielsen, P.E., bearing the Miami-Dade County Product Control Revision stamp with the Notice of Acceptance number and expiration date by the Miami-Dade County Product Control Division.

MISSILE IMPACT RATING: None (Sidelites); Large and Small Missile Impact Resistant (Doors)

LABELING: Each unit shall bear a permanent label with the manufacturer's name or logo, city, state and following statement: "Miami-Dade County Product Control Approved", unless otherwise noted herein.

RENEWAL of this NOA shall be considered after a renewal application has been filed and there has been no change in the applicable building code negatively affecting the performance of this product.

TERMINATION of this NOA will occur after the expiration date or if there has been a revision or change in the materials, use, and/or manufacture of the product or process. Misuse of this NOA as an endorsement of any product, for sales, advertising or any other purposes shall automatically terminate this NOA. Failure to comply with any section of this NOA shall be cause for termination and removal of NOA.

ADVERTISEMENT: The NOA number preceded by the words Miami-Dade County, Florida, and followed by the expiration date may be displayed in advertising literature. If any portion of the NOA is displayed, then it shall be done in its entirety.

INSPECTION: A copy of this entire NOA shall be provided to the user by the manufacturer or its distributors and shall be available for inspection at the job site at the request of the Building Official. This NOA **revises and renews** NOA # 02-0107.02 and consists of this page 1 and evidence page E-1, as well as approval document mentioned above.

The submitted documentation was reviewed by **Manuel Perez, P.E.**



**NOA No. 07-0618.10
 Expiration Date: July 03, 2012
 Approval Date: November 08, 2007
 Page 1**

Jeld-Wen, Inc. (OR)

NOTICE OF ACCEPTANCE: EVIDENCE SUBMITTED

A. DRAWINGS

1. Manufacturer's die drawings and sections.
2. Drawing No. **S-2102-01**, titled "Series Outswing Steel Edge Opaque Impact Steel Door Up To 9'0" x 6'8" With & Without Non-Impact Sidelites", sheets 1 through 7 of 7, dated 12/26/01, with revision D dated 10/02/07, prepared by PTC, LLC., signed and sealed by Eric S. Nielsen, P.E.

B. TESTS

1. Test reports on
 - 1) Air Infiltration Test, PA 202-94
 - 2) Uniform Static Air Pressure Test, PA 202-94
 - 3) Water Resistance Test, PA 202-94
 - 4) Forced Entry Test, PA 202-94
 - 5) Large Missile Impact Test, PA 201-94
 - 6) Cyclic Wind Pressure, PA 203-94

along with marked-up drawings and installation diagram of an Outswing steel edge steel door, prepared by Certified Testing Laboratories, Test Report No. **CTLA 694W**, dated 04/20/2001, signed and sealed by Ramesh C. Patel, P.E.

(Submitted under NOA# 02-0107.02)

2. Test reports on
 - 1) Tensile Test per **ASTM E84-97a** and **ASTM D1929-91** along with marked-up drawings and installation diagram prepared by Intertek Testing Services, Inc., Test Report No. **J99006660-001**, dated 04/2/1999, tested.*(Submitted under NOA# 02-0107.02)*

C. CALCULATIONS

1. Anchor verification calculations and structural analysis, complying with FBC-2004, prepared by PTC, LLC, dated 05/24/2007, signed and sealed by Eric S. Nielsen, P.E.
Complies with ASTM E1300-98/ 02

D. QUALITY ASSURANCE

1. Miami Dade Building Code Compliance Office (BCCO).

E. MATERIAL CERTIFICATIONS

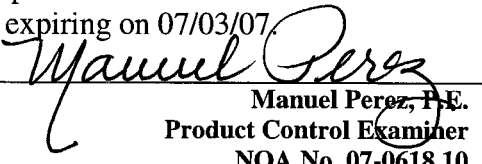
1. Notice of Acceptance No. **07-0801.05** issued to ODL, Inc. for "**ODL "HP Polypropylene High Performance Door Lite Material-Component Approval"**" dated 09/27/2007, expiring on 01/17/2011.

F. STATEMENTS

1. Statement letter of conformance, dated May 23, 2006, signed and sealed by Eric S. Nielsen, P.E.

G. OTHER

1. Notice of Acceptance No. **02-0107.02**, issued to Jeld-Wen, Inc. (OR), for their "Series Outswing Steel Edge Opaque Impact Steel Door Up To 9'0" x 6'8" With & Without Non-Impact Sidelites", approved on 07/03/02 and expiring on 07/03/07.


Manuel Perez, P.E.
Product Control Examiner
NOA No. 07-0618.10

Expiration Date: July 03, 2012
Approval Date: November 08, 2007

JELD-WEN® Steel

6'-8" OUTSWING STEEL EDGE OPAQUE IMPACT DOOR UNITS W/ & W/O NON-IMPACT SIDELITES

GENERAL NOTES

1. THIS PRODUCT IS DESIGNED TO COMPLY WITH THE 2004 FLORIDA BUILDING CODE (WITH 2005 & 2006 SUPPLEMENTS) AND HIGH VELOCITY HURRICANE ZONE (HVHZ) REQUIREMENTS.
2. 2X WOOD BUCKS BY OTHERS, MUST BE PROPERLY ANCHORED TO TRANSFER LOADS TO THE STRUCTURE.
3. PRODUCT ANCHORS SHALL BE AS LISTED AND SPACED PER ANCHOR LOCATION DRAWINGS. ANCHOR EMBEDMENT TO BASE MATERIAL SHALL BE BEYOND WALL DRESSING OR STUCCO.
4. SEE TABLE 1 ON THIS SHEET FOR DESIGN PRESSURE RATING.
5. THIS PRODUCT MEETS THE WATER REQUIREMENTS FOR "HVHZ" ZONES. SEE THE DESIGN PRESSURE CHART BELOW.
6. SIDELITES REQUIRE MIAMI-DADE APPROVED IMPACT RESISTANT SHUTTERS.
7. SIDELITES ARE AN OPTION AND CAN BE USED IN A SINGLE OR DOUBLE DOOR CONFIGURATION.
8. A LOAD DURATION INCREASE IN ALLOWABLE STRESS IS USED IN DESIGN OF ANCHORS INTO WOOD ONLY.

RESIDENTIAL INSULATED STEEL DOOR (Common to all frame conditions)

COMPONENT CONSTRUCTIONS:

Face sheets: 24 ga. (0.020") minimum thickness, Galvanized Steel A-525 commercial quality - AKDQ per ASTM 620 with average minimum yield strength $F_y(\text{ave.}) = 24,600$ psi.

Core design: Expanded polystyrene with 1.0 to 1.25 lbs./CF density, by JELD-WEN, INC.

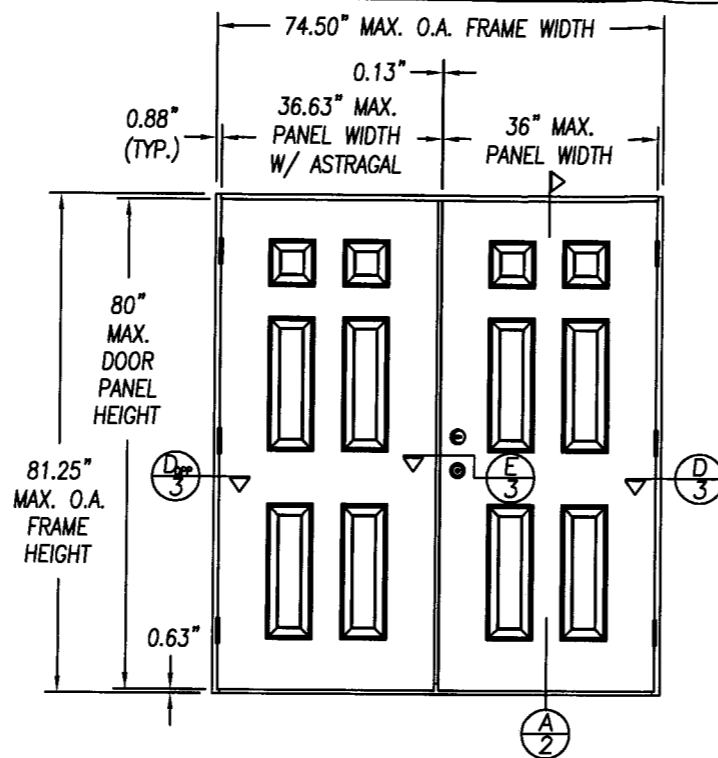
Door Panel Construction: The active and inactive door panels are constructed from 24GA. (0.020" min.) galvanized steel. The face sheet bottoms are bent 90° over the 24 ga. (0.021" min. rollformed bottom rail measuring 1.67" wide x 1.21" high. The face sheet tops and sides are bent 90° over the 22 ga. (0.029" min. rollformed top rail and side stiles which measure 1.73" wide X 1.219" high. The side stile tabs are bent 90° over the bottom rail, and secured with a .25" x .50" x 16 ga. rivet at each corner. The interior cavity is filled with polystyrene, and the face sheets are glued to it.

Sidelite Sash Construction: The sashes are constructed from 24GA. (0.020" min.) galvanized steel. The four edges of the face sheets are bent 90° over the polystyrene core and glued to it. The panels are routed to receive the ODL Lite Frames, and glazed with 1/8" tempered glass.

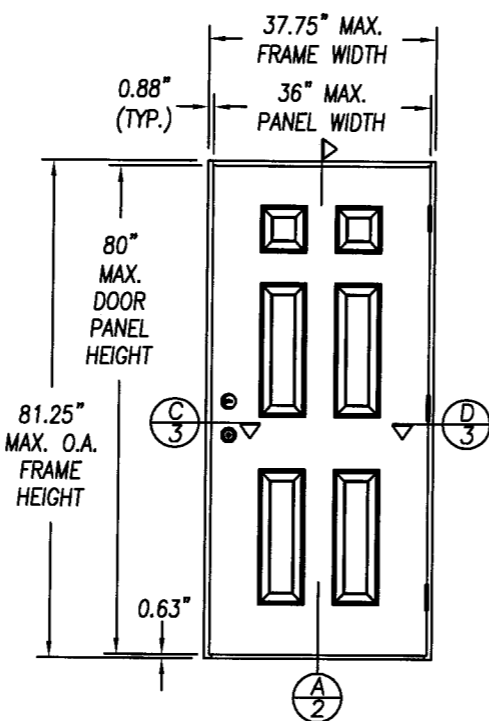
Frame Construction: The frames are constructed from Ponderosa Pine jambs measuring 1.25" wide x 4.563" deep. The door and sidelite head jambs are mortised and butt joined to the side jambs. The door frames use a bump face threshold measuring 4.041" wide x 1.0" high. The sidelite frames use a pine head jamb as their threshold. All attachments are made with (3) 16GA., 2" x 7/16" crown wire staples at each corner.

TABLE OF CONTENTS

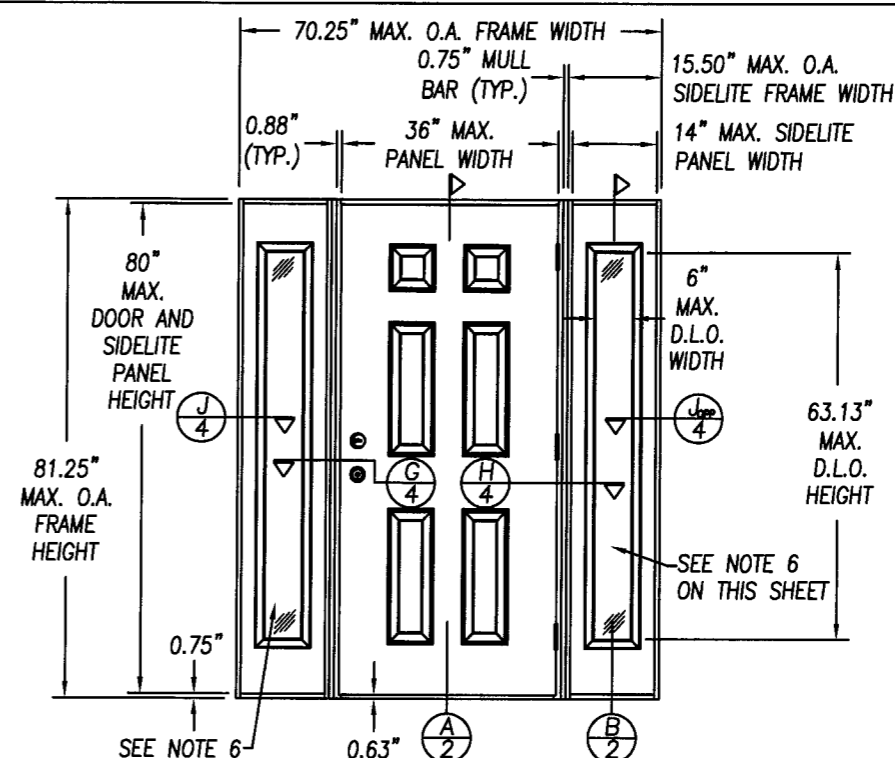
SHT #	DESCRIPTION
1	GENERAL NOTES AND ELEVATIONS
2	VERTICAL CROSS SECTIONS AND BILL OF MATERIALS
3	HORIZONTAL CROSS SECTIONS
4	HORIZONTAL CROSS SECTIONS AND NOTES
5	ANCHORING LOCATIONS AND DETAILS
6	ANCHORING LOCATIONS AND GLAZING DETAIL
7	UNIT COMPONENTS



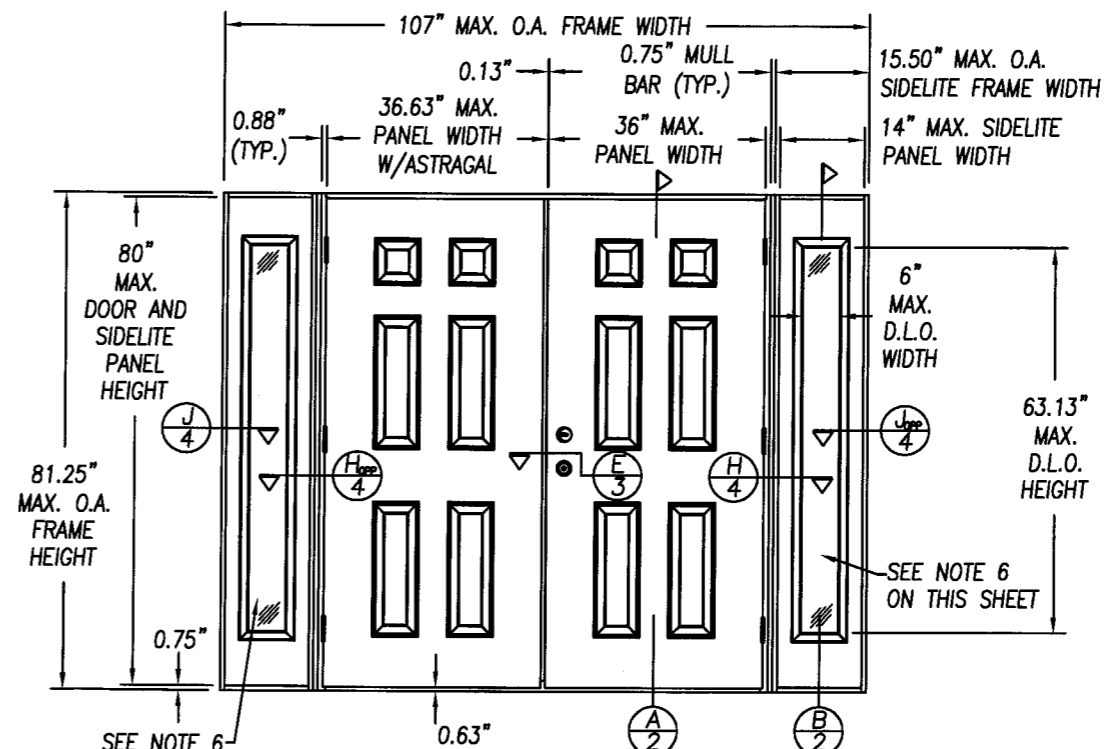
DOUBLE OUTSWING IMPACT UNIT (XX)
VIEWED FROM EXTERIOR



SINGLE OUTSWING IMPACT UNIT (X)
VIEWED FROM EXTERIOR



SINGLE OUTSWING IMPACT UNIT
W/ NON-IMPACT SIDELITES (OXO)
VIEWED FROM EXTERIOR



DOUBLE OUTSWING IMPACT UNIT
W/ NON-IMPACT SIDELITES (OXXO)
VIEWED FROM EXTERIOR

TABLE 1:

DESIGN PRESSURE RATING WHERE WATER INFILTRATION REQUIREMENT IS NEEDED	W/ BUMP FACE PEMKO THRESHOLD
SINGLE W/WO SIDELITES (X, OX, XO, OXO)	+67 psf -67 psf
DOUBLE W/WO SIDELITES (XX, OXX, XXO, OXXO)	+60 psf -60 psf

Eric S. Nielsen
Eric S. Nielsen
Florida P. E. No. 41323
PTC, LLC
1535 Cogswell Street, Suite C25
Rockledge, Florida 32955
FBPE Certificate of Authorization NO. 25935

Prepared By:
PTC
PTC, LLC
Phone: 321-690-1788
Fax: 321-690-1789

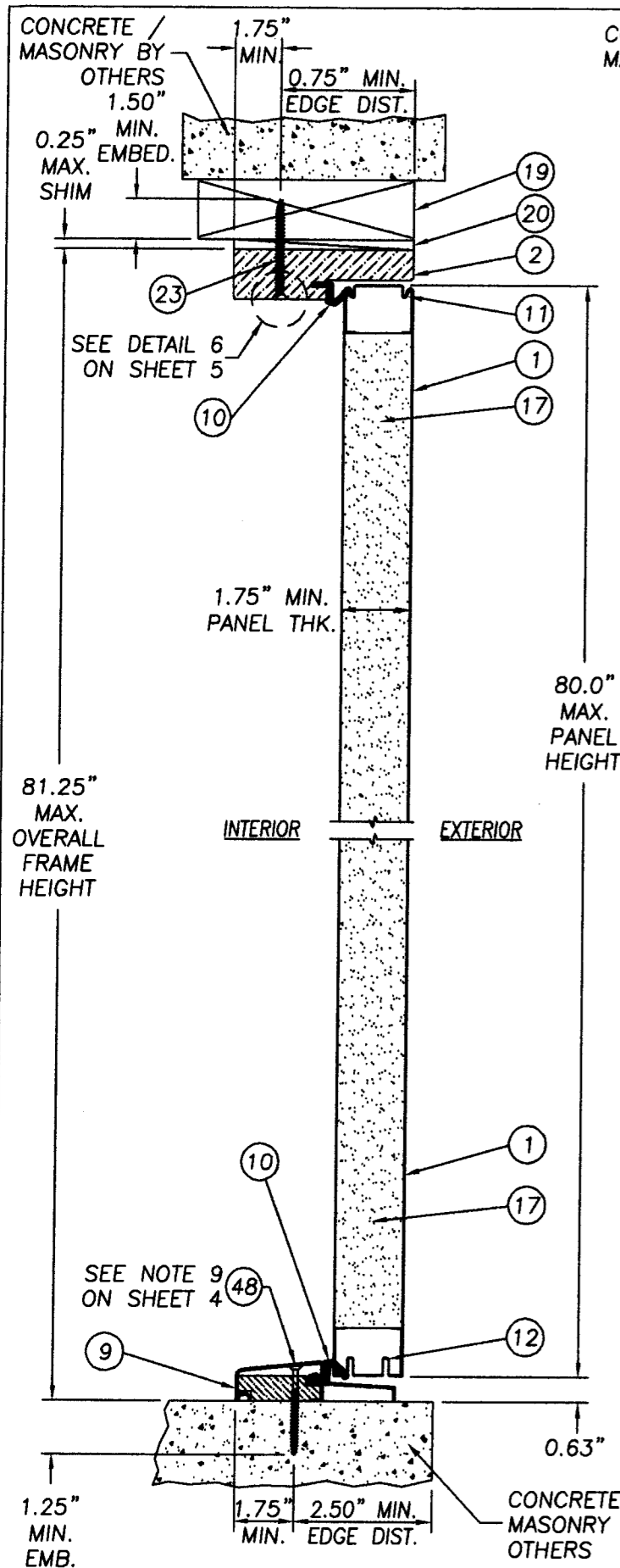
PRODUCT RENEWED
as complying with the Florida
Building Code
Acceptance No. 07-0618.10
Expiration Date 07/03/2012
By *Manuel Perry*
Miami Dade Product Control
Division

JELD-WEN, INC.
3737 LAKEPORT BLVD.
KLAMATH FALLS, OR. 97601
PH. 541.882.3451

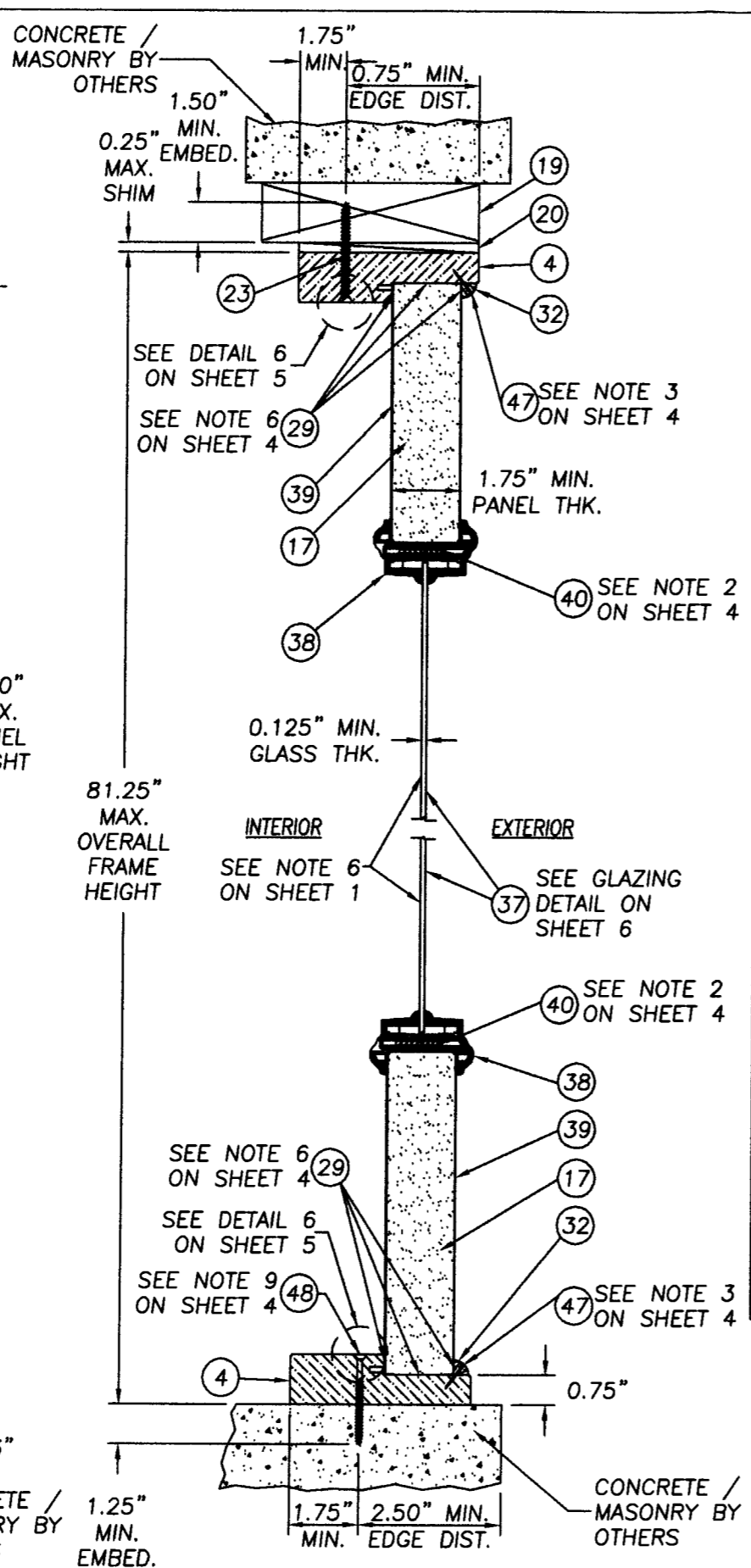
PRODUCT:
OUTSWING STEEL EDGE OPAQUE IMPACT
STEEL DOOR UP TO 9'-0" x 6'-8"
WITH & WITHOUT NON-IMPACT SIDELITES
PART OR ASSEMBLY:
GENERAL NOTES
AND ELEVATIONS

DATE	REVISIONS	BY
D 10-02-07	AS REQUESTED BY MIAMI-DADE	CB
C 15-18-07	MODIFIED TO MEET THE 2004 FBC	WR
B 15-30-02	CORRECT B.O.M.	RW
A 3-13-02	GENERAL REVISION	TJH
#		

DATE: 12-26-01
SCALE: N.T.S.
DWG. BY: WLN
CHK. BY: RW
DRAWING NO.: S-2102-01
SHEET 1 OF 7



(A) VERTICAL CROSS SECTION WITH PEMKO BUMP THRESHOLD



(B) VERTICAL CROSS SECTION NON-IMPACT SIDELITE SASH

ITEM	DESCRIPTION	MATERIAL
1	DOOR STEEL FACE SHEET 24GA. (0.020\"/>	

PRODUCT RENEWED as complying with the Florida Building Code
 Acceptance No. 07-0618.10
 Expiration Date 07/03/2012
 By *[Signature]*
 Miami Dade Product Control Division

JELD-WEN, INC.
 3737 LAKEPORT BLVD.
 KLAMATH FALLS, OR. 97601
 PH. 541.882.3451

PRODUCT: OUTSWING STEEL EDGE OPAQUE IMPACT STEEL DOOR UP TO 9'-0\"/>

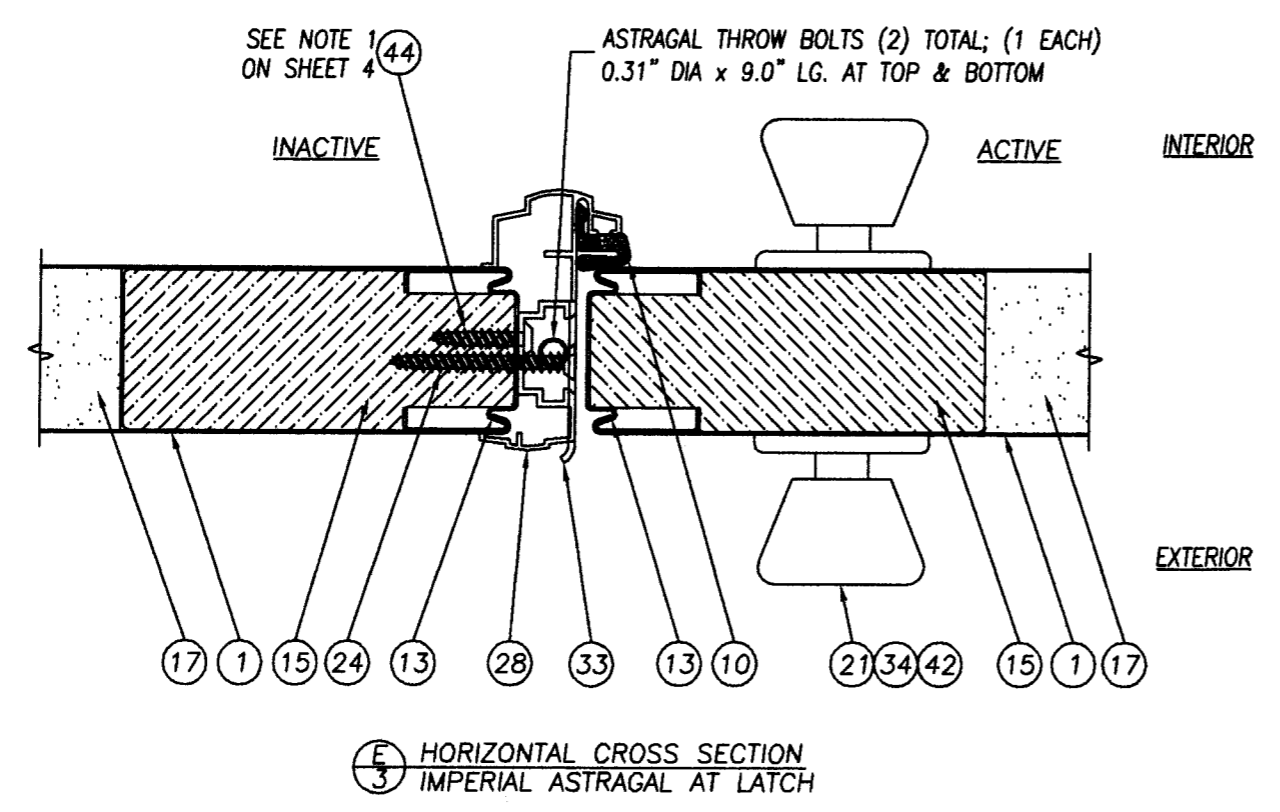
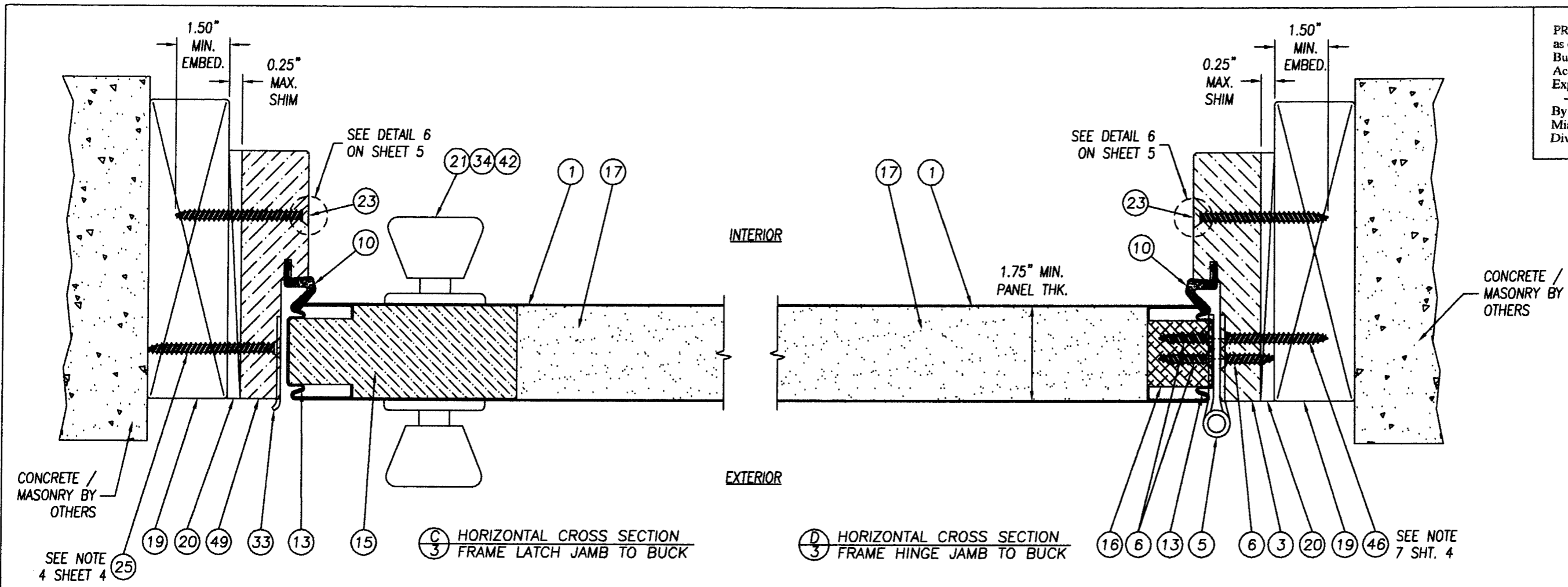
DATE	BY	REVISIONS
D 10-02-07	CB	AS REQUESTED BY MIAMI-DADE
C 5-18-07	WR	MODIFIED TO MEET THE 2004 FBC
B 5-30-02	RW	CORRECT B.O.M.
A 3-13-02	TJH	GENERAL REVISION

[Signature]
 Eric S. Nielsen
 Florida P. E. No. 41323
 PTC, LLC
 1535 Cogswell Street, Suite C25
 Rockledge, Florida 32955
 FBPE Certificate of Authorization NO. 25935

Prepared By:
PTC
 PTC, LLC
 Phone: 321-690-1788
 Fax: 321-690-1789

DATE: 12-26-01
 SCALE: N.T.S.
 DWG. BY: WLN
 CHK. BY: RW
 DRAWING NO.: S-2102-02
 SHEET 2 OF 7

PRODUCT RENEWED
 as complying with the Florida
 Building Code
 Acceptance No. 07-0618.10
 Expiration Date 07/03/2012
 By *Manuel Pera*
 Miami Dade Product Control
 Division



JELD-WEN, INC.
 3737 LAKEPORT BLVD.
 KLAMATH FALLS, OR. 97601
 PH. 541.882.3451

PRODUCT:
 OUTSWING STEEL EDGE OPAQUE IMPACT
 STEEL DOOR UP TO 9'-0" x 6'-8"
 WITH & WITHOUT NON-IMPACT SIDELITES

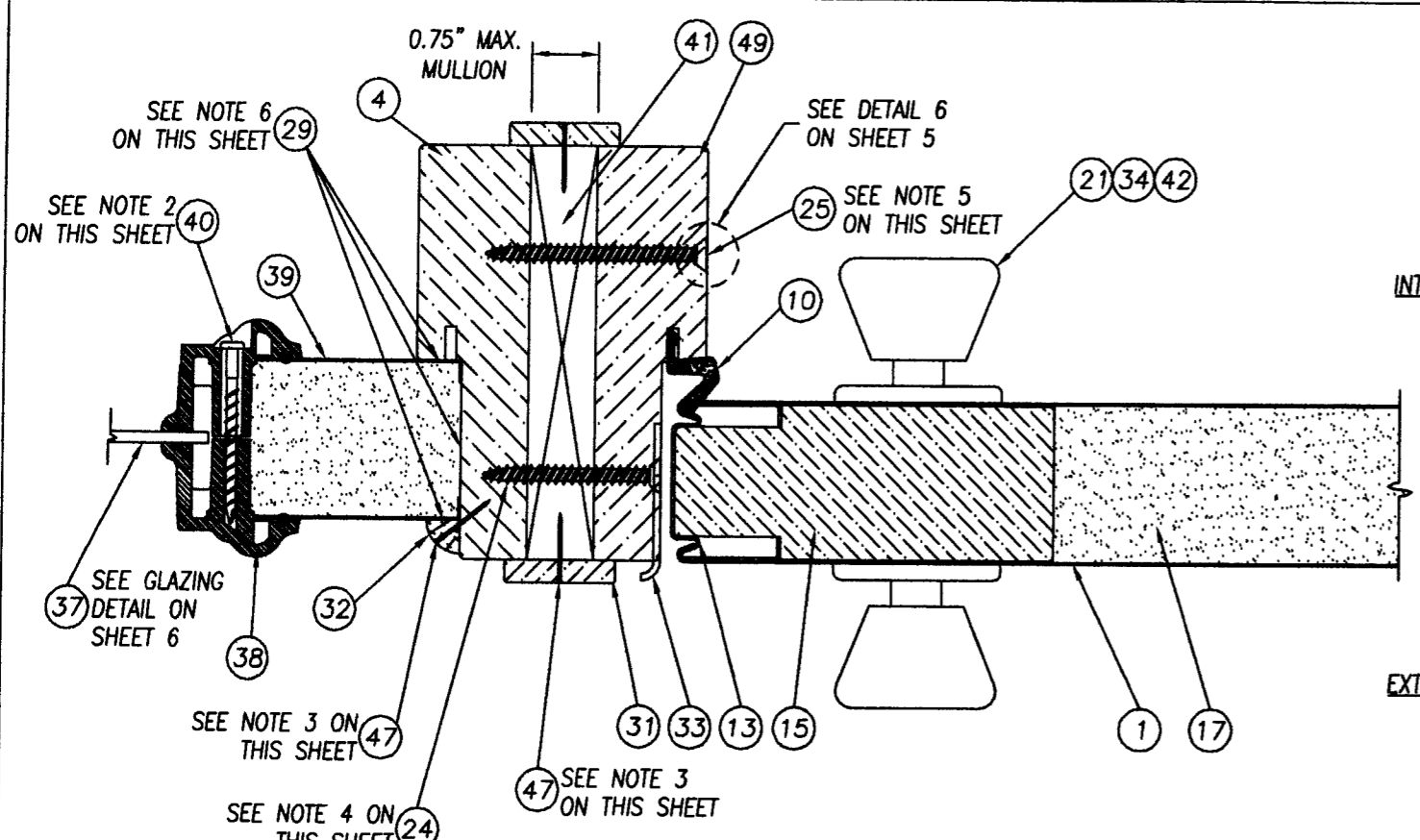
PART OR ASSEMBLY:
 HORIZONTAL CROSS
 SECTIONS

#	DATE	REVISIONS	BY
D	10-02-07	AS REQUESTED BY MIAMI-DADE	CB
C	5-18-07	MODIFIED TO MEET THE 2004 FBC	WR
B	5-30-02	CORRECT B.O.M.	RW
A	3-13-02	GENERAL REVISION	TJH

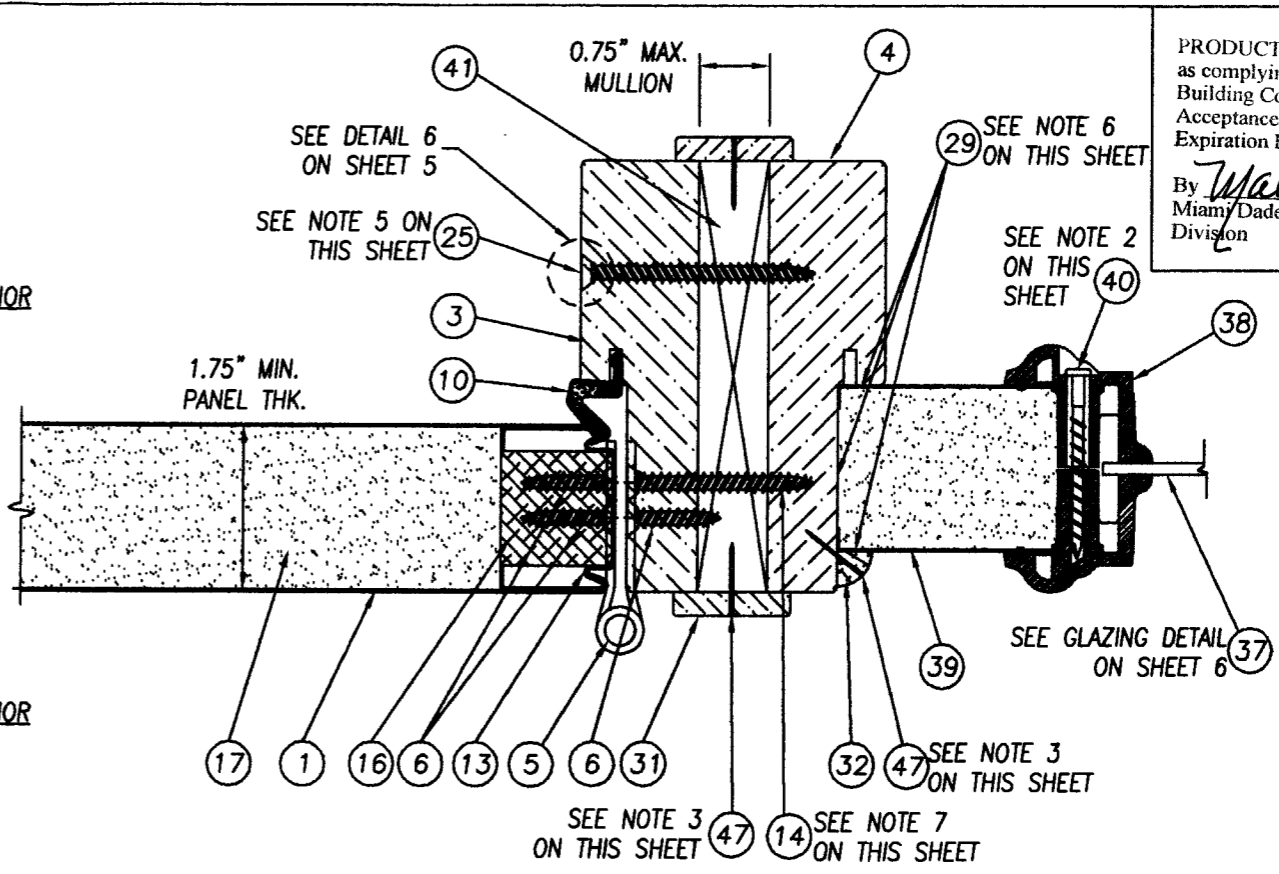
DATE: 12-26-01
 SCALE: N.T.S.
 DWG. BY: WLN
 CHK. BY: RW
 DRAWING NO.: S-2102-03
 SHEET 3 OF 7

Eric S. Nielsen
 Eric S. Nielsen
 Florida P. E. No. 41323
 PTC, LLC
 1535 Cogswell Street, Suite C25
 Rockledge, Florida 32955
 FBPE Certificate of Authorization NO. 25935

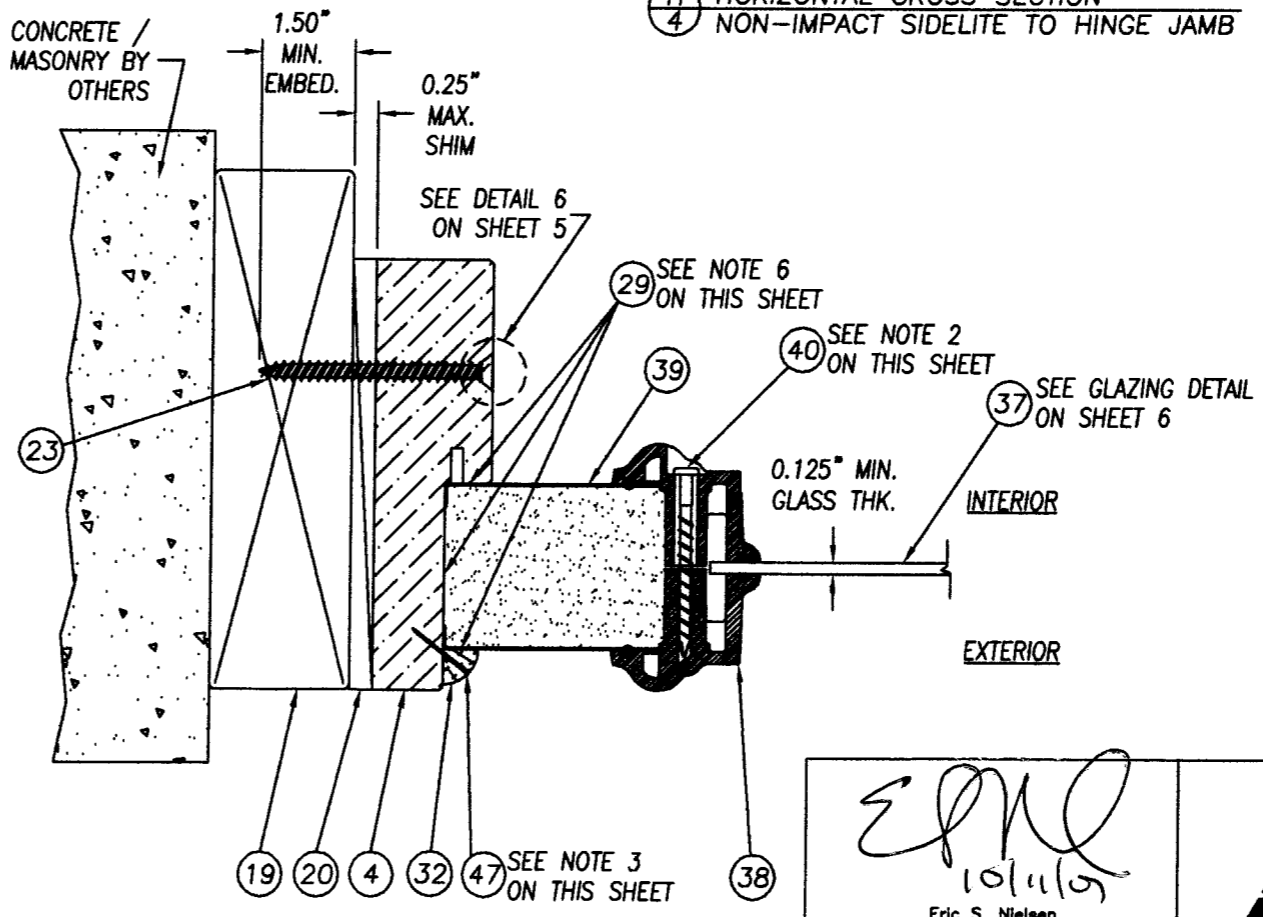
Prepared By:
PTC
 PTC, LLC
 Phone: 321-690-1788
 Fax: 321-690-1789



G HORIZONTAL CROSS SECTION
NON-IMPACT SIDELITE TO LATCH JAMB



H HORIZONTAL CROSS SECTION
NON-IMPACT SIDELITE TO HINGE JAMB



J HORIZONTAL CROSS SECTION
NON-IMPACT SIDELITE TO BUCK

- NOTES:**
- SPACING FOR ITEM #44 THE #10 x 1" PFH SCREWS ATTACHING THE IMPERIAL ASTRAGAL TO THE INACTIVE DOOR IS AS FOLLOWS:
FROM THE TOP DOWN & THE BOTTOM UP: 1.0", 2.5", 4.0", 5.5", 13.0", 18.0" & 26.0".
 - SPACING FOR ITEM #40 THE #8 x 1 1/2" PLASCREW IS AS FOLLOWS:
TOP & BOTTOM, HORIZONTALLY, DOOR PANEL: 3.0" IN FROM EACH CORNER, ONE IN CENTER.
TOP & BOTTOM, HORIZONTALLY, SIDELITE PANEL: 3.0" IN FROM EACH CORNER.
FROM TOP DOWN ON THE SIDES: 3.0", 13.5", 24.5", 36.0", 46.0", 57.5", 68.5" & 79.0".
 - SPACING FOR ITEM #47 THE 16GA x 3/4" BRAD TRIM NAIL ATTACHING THE QUARTER ROUND TO THE SIDELITE AND THE MULL CAP TO THE MULL BAR VERTICALLY, IS AS FOLLOWS:
TOP & BOTTOM HORIZONTALLY: 1.25" IN FROM EACH CORNER WITH (1) NAIL MID-SPAN.
VERTICALLY: 1.25" FROM EACH END & SIX MORE EQUALLY SPACED ON THE FIELD.
 - WHEN ATTACHING THE DOOR AND DEAD BOLT STRIKE PLATES TO THE JAMB AND BUCK USE ITEM #25, A #8 x 2 1/2" PFH WOOD SCREW.
WHEN ATTACHING THE DOOR AND DEAD BOLT STRIKE PLATES TO THE JAMB AND SIDELITE JAMB AT THE MULLION USE ITEM #24, A #8 x 2" PFH WOOD SCREW.
 - SPACING FOR ITEM #25 THE #8 x 2 1/2" PFH WOOD SCREWS ATTACHING THE JAMBS TOGETHER AT THE MULLION, IS AS FOLLOWS: 6.0" FROM EACH VERTICAL CORNER WITH (4) MORE SCREWS EQUALLY SPACED ON THE FIELD.
 - THE SIDELITE IS SECURED INTO THE SIDELITE FRAME WITH ITEM #29 SILICONE CAULK ON THREE FACES AND 3/8" QUARTER ROUNDS SECURED WITH ITEM #47 BRAD TRIM NAILS x 3/4" LONG.
 - WHEN ATTACHING THE HINGE TO THE JAMB AND BUCK USE ITEM #46, A #10 x 2" PFH SCREW.
WHEN ATTACHING THE HINGE TO THE JAMB AND SIDELITE JAMB AT THE MULLION USE ITEM #14, A #10 x 1 3/4" PFH WOOD SCREW.
 - USE ITEM #23 WHEN INSTALLING INTO WOOD SUBSTRATE AT HEAD AND JAMBS.
USE ITEM #48 WHEN INSTALLING INTO CONCRETE / MASONRY SUBSTRATE AT SILL.
 - ALTERNATE CONCRETE/MASONRY INSTALLATION ANCHORS OF EQUIV. PERFORMANCE CHARACTERISTICS CAN BE USED UPON APPROVAL OF THE ARCHITECT OR ENGINEER OF RECORD FOR THE PROJECT OF INSTALLATION.

PRODUCT RENEWED
as complying with the Florida
Building Code
Acceptance No. 07-0618.10
Expiration Date 07/03/2012
By *Manuel Perry*
Miami/Dade Product Control
Division

JELD-WEN, INC.
3737 LAKEPORT BLVD.
KLAMATH FALLS, OR. 97601
PH. 541.882.3451

PRODUCT: OUTSWING STEEL EDGE OPAQUE IMPACT STEEL DOOR UP TO 9'-0" x 6'-8" WITH & WITHOUT NON-IMPACT SIDELITES
PART OR ASSEMBLY: HORIZONTAL CROSS SECTIONS AND NOTES

REV	DATE	BY	REVISIONS
D	10-02-07	CB	AS REQUESTED BY MIAMI-DADE
C	5-18-07	WR	MODIFIED TO MEET THE 2004 FBC
B	5-30-02	RW	CORRECT B.O.M.
A	3-13-02	TJH	GENERAL REVISION

DATE: 12-26-01
SCALE: N.T.S.
DWG. BY: WLN
CHK. BY: RW
DRAWING NO.: S-2102-04
SHEET 4 OF 7

Eric S. Nielsen
Eric S. Nielsen
Florida P. E. No. 41323
PTC, LLC
1535 Cogswell Street, Suite C25
Rockledge, Florida 32955
FBPE Certificate of Authorization NO. 25935

Prepared By:
PTC
PTC, LLC
Phone: 321-690-1788
Fax: 321-690-1789

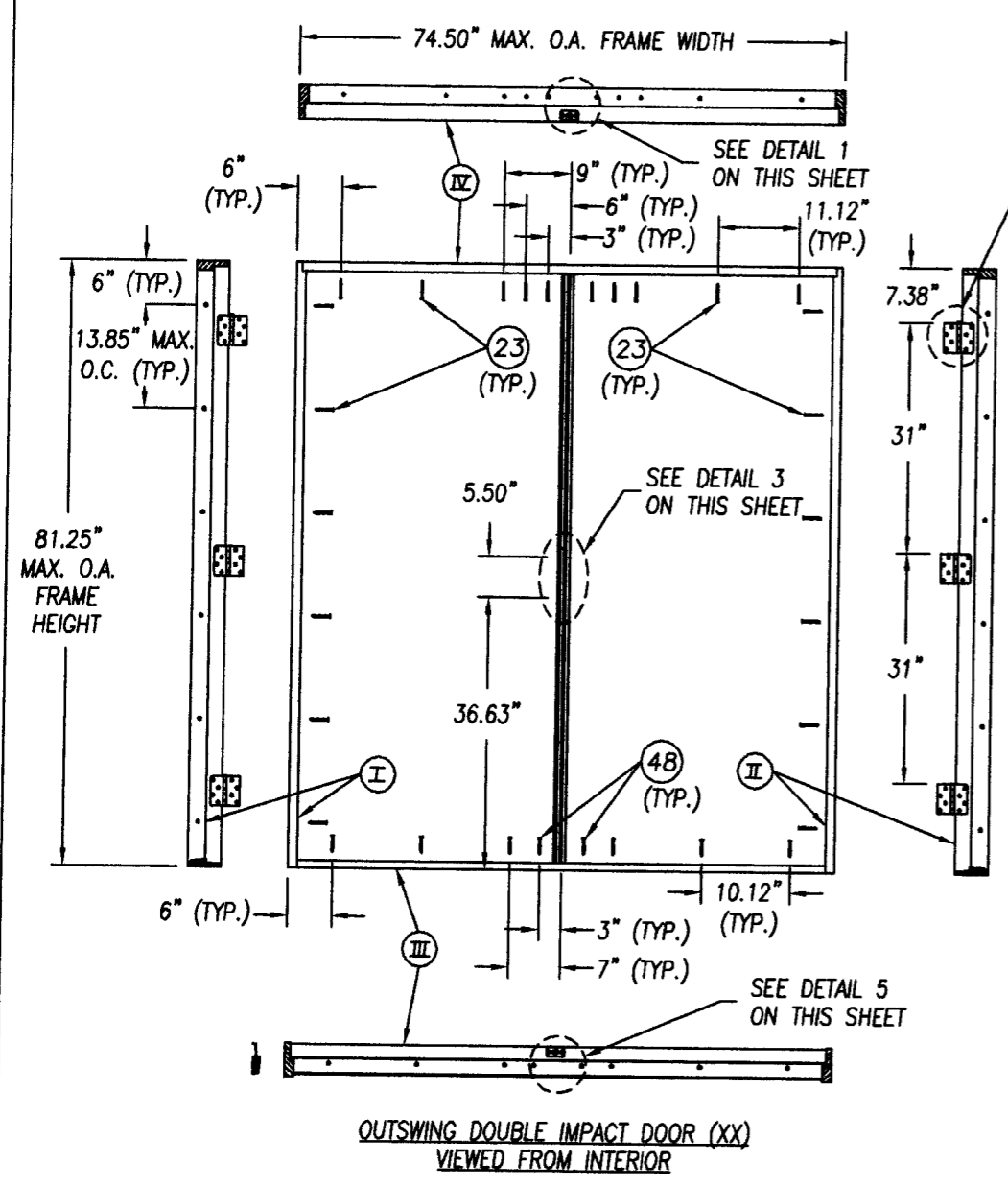
PRODUCT RENEWED
 as complying with the Florida
 Building Code
 Acceptance No 07-0618.10
 Expiration Date 07/03/2012
 By *Manuel Perez*
 Miami/Dade Product Control
 Division

JELD-WEN, INC.
 3737 LAKEPORT BLVD.
 KLAMATH FALLS, OR. 97601
 PH. 541.882.3451

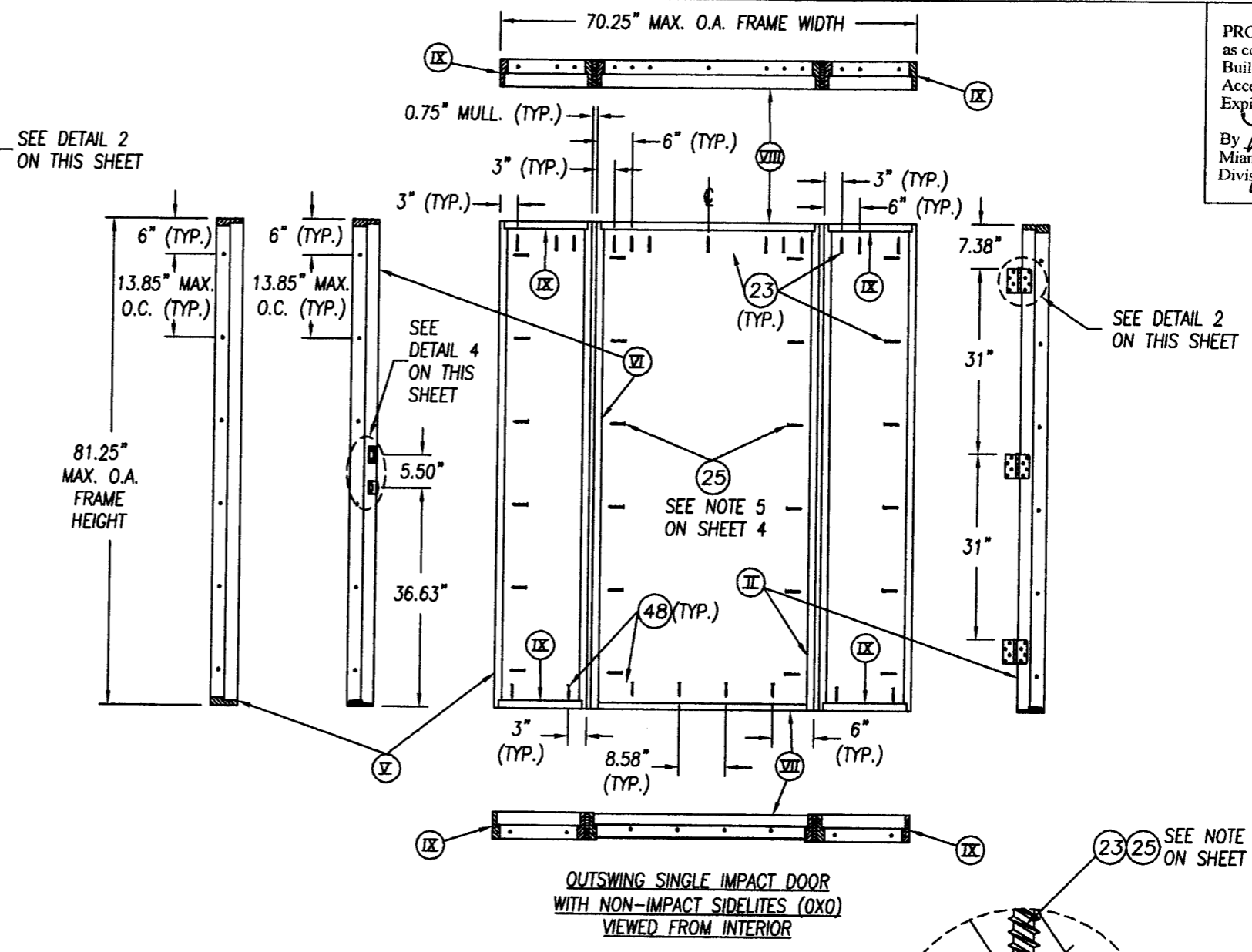
PRODUCT:
 OUTSWING STEEL EDGE OPAQUE IMPACT
 STEEL DOOR UP TO 9'-0" x 6'-8"
 WITH & WITHOUT NON-IMPACT SIDELITES
 PART OR ASSEMBLY:
 ANCHORING LOCATIONS
 AND DETAILS

DATE	REVISIONS	BY
D 10-02-07	AS REQUESTED BY MIAMI-DADE	CB
C 5-18-07	MODIFIED TO MEET THE 2004 FBC	WR
B 5-30-02	CORRECT B.O.M.	RW
A 3-13-02	GENERAL REVISION	TJH

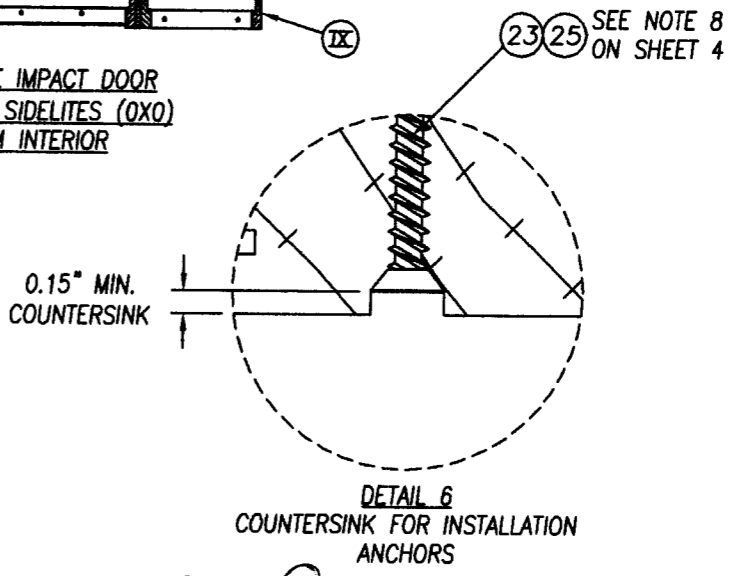
DATE:	12-26-01
SCALE:	N.T.S.
DWG. BY:	WLN
CHK. BY:	RW
DRAWING NO.:	S-2102-05
SHEET	5 OF 7



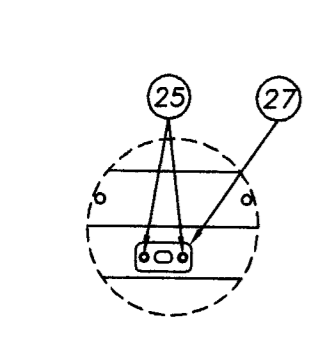
OUTSWING DOUBLE IMPACT DOOR (XX)
 VIEWED FROM INTERIOR



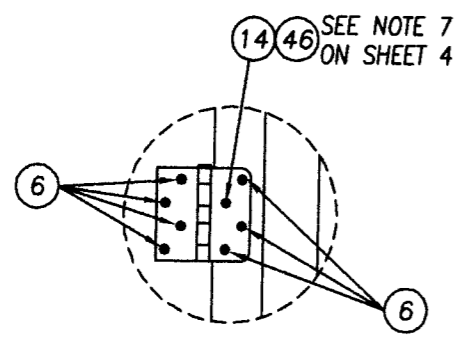
OUTSWING SINGLE IMPACT DOOR
 WITH NON-IMPACT SIDELITES (OXO)
 VIEWED FROM INTERIOR



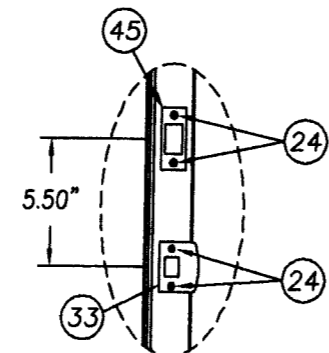
DETAIL 6
 COUNTERSINK FOR INSTALLATION
 ANCHORS



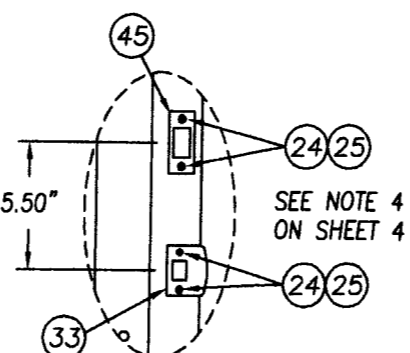
DETAIL 1 - AT HEAD JAMB
 ASTRAGAL STRIKE PLATE



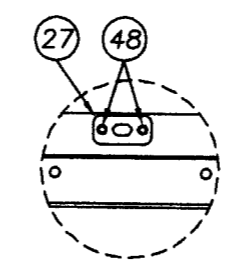
DETAIL 2
 HINGES TO JAMB & DOOR



DETAIL 3
 STRIKE PLATES TO ASTRAGAL



DETAIL 4
 STRIKE PLATES TO JAMB

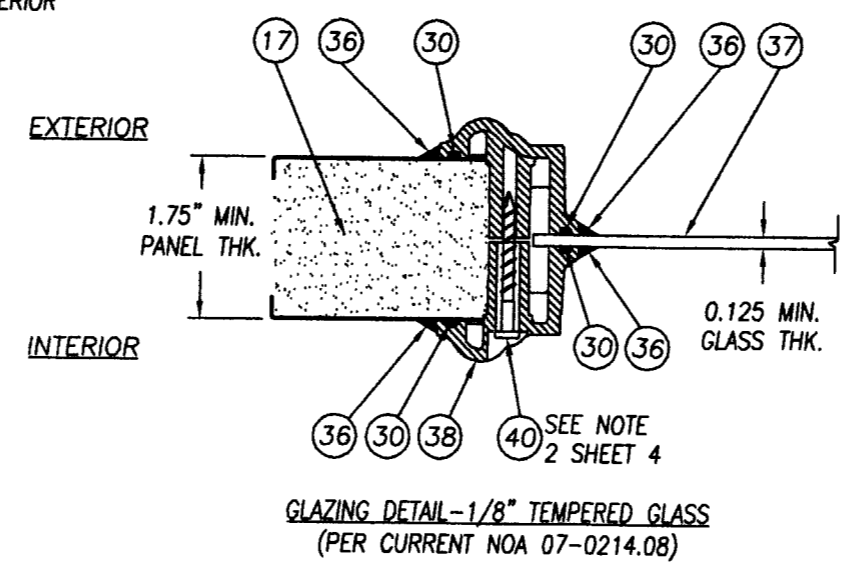
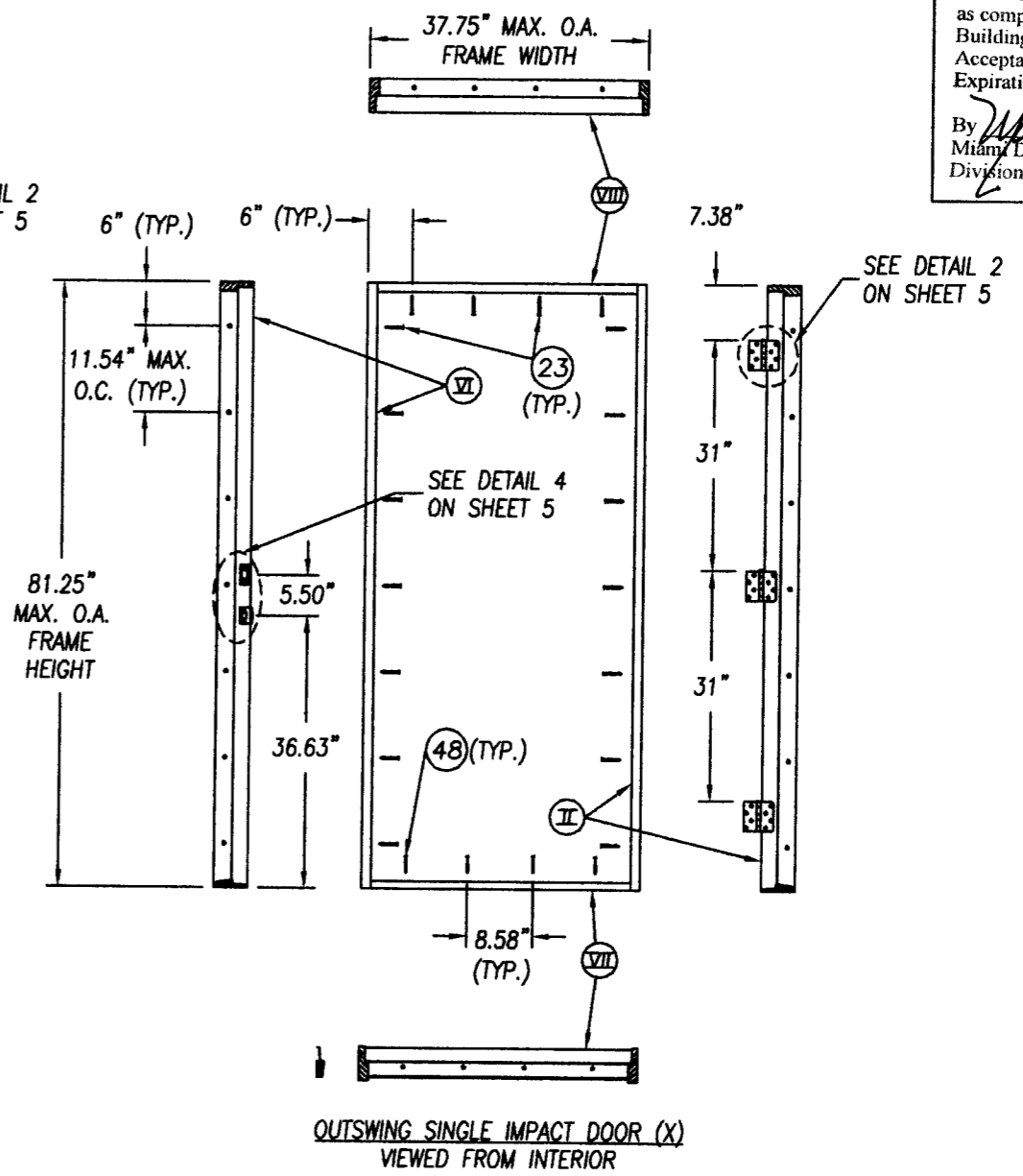
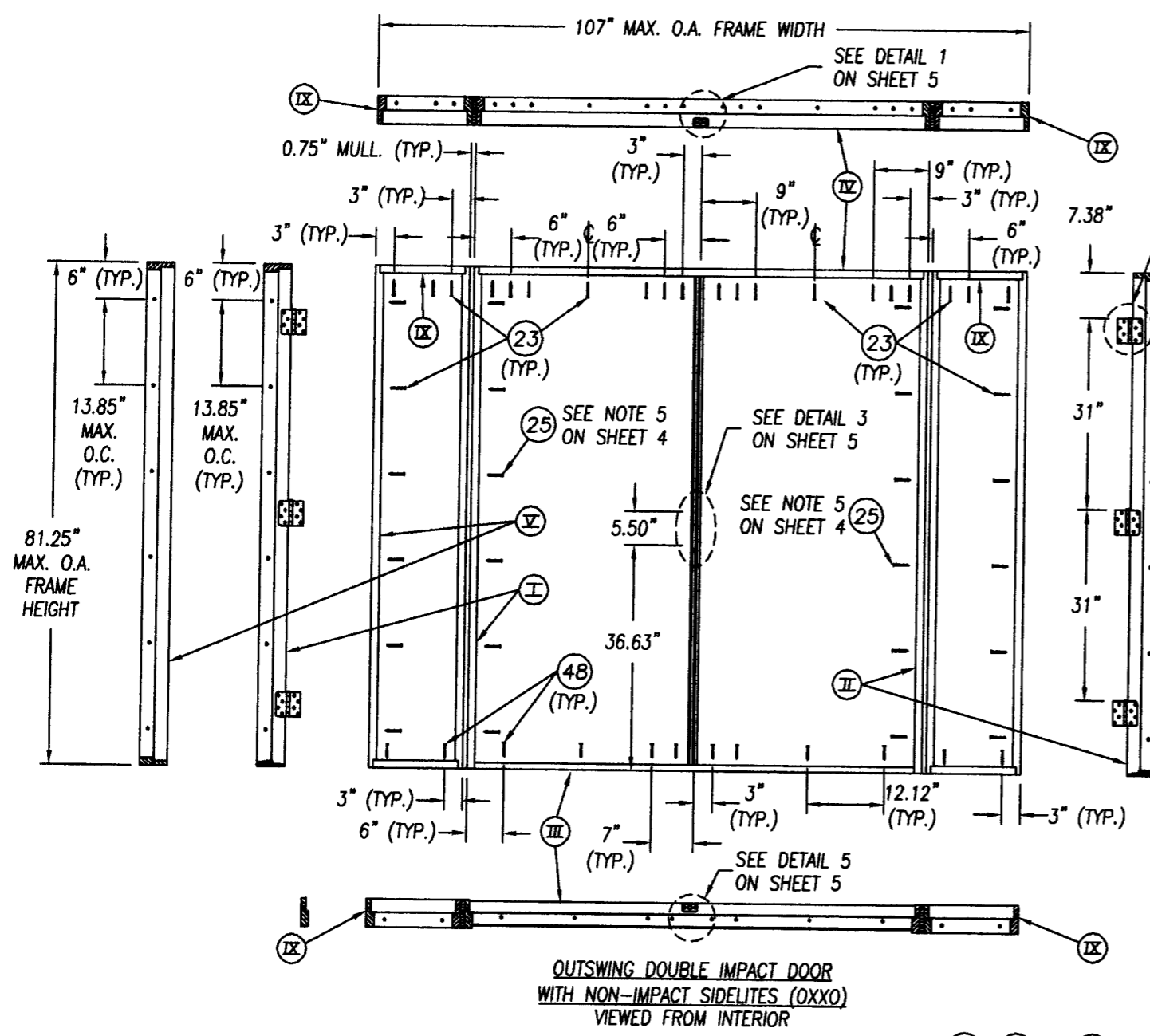


DETAIL 5 - AT THRESHOLD
 ASTRAGAL STRIKE PLATE

Eric S. Nielsen
 Eric S. Nielsen
 Florida P. E. No. 41323
 PTC, LLC
 1535 Cogswell Street, Suite C25
 Rockledge, Florida 32955
 FBPE Certificate of Authorization No. 28938

Prepared By:
PTC
 PTC, LLC
 Phone: 321-690-1788
 Fax: 321-690-1789

PRODUCT RENEWED
 as complying with the Florida
 Building Code
 Acceptance No. 07-0618.10
 Expiration Date 07/03/2012
 By *Manuel Peralta*
 Miami Dade Product Control
 Division



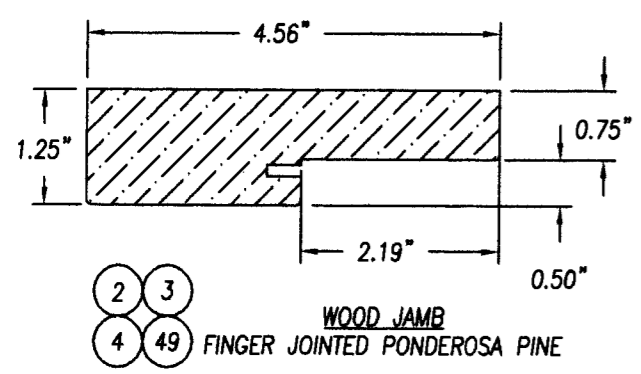
Eric S. Nielsen
 10/11/07
 Eric S. Nielsen
 Florida P. E. No. 41323
 PTC, LLC
 1535 Cogswell Street, Suite C25
 Rockledge, Florida 32955
 FBPE Certificate of Authorization NO. 25035

Prepared By:
PTC
 PTC, LLC
 Phone: 321-690-1788
 Fax: 321-690-1789

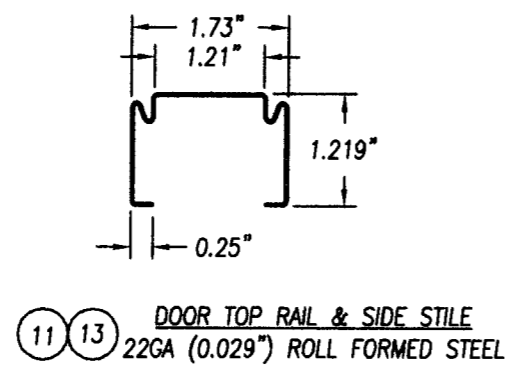
PRODUCT:		OUTSWING STEEL EDGE OPAQUE IMPACT STEEL DOOR UP TO 9'-0" x 6'-8" WITH & WITHOUT NON-IMPACT SIDELITES		PART OR ASSEMBLY:		ANCHORING LOCATIONS AND GLAZING DETAIL	
#	DATE	BY	TJH	RW	WR	CB	
A	3-13-02	GENERAL REVISION					
B	5-30-02	CORRECT B.O.M.					
C	5-18-07	MODIFIED TO MEET THE 2004 FBC					
D	10-02-07	AS REQUESTED BY MIAMI-DADE					

DATE: 12-26-01
 SCALE: N.T.S.
 DWG. BY: WLN
 CHK. BY: RW
 DRAWING NO.: S-2102-06
 SHEET 6 OF 7

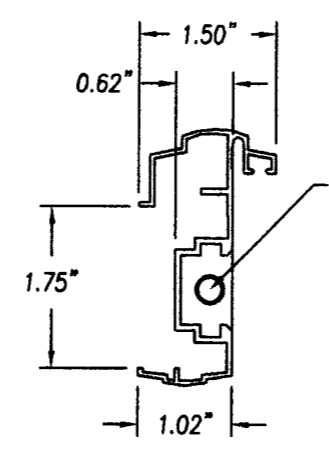
PRODUCT RENEWED
 as complying with the Florida
 Building Code
 Acceptance No 07-0618.10
 Expiration Date 07/03/2012
 By *Wendy Perry*
 Miami Dade Product Control
 Division



2 3
 4 49
WOOD JAMB
 FINGER JOINTED PONDEROSA PINE

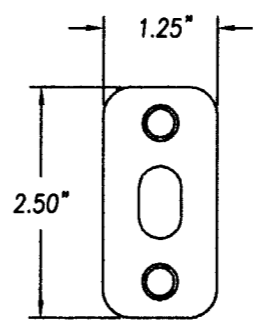


11 13
DOOR TOP RAIL & SIDE STILE
 22GA (0.029\") ROLL FORMED STEEL

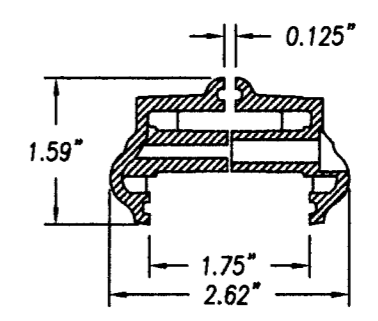


28
ASTRAGAL (IMPERIAL)
 6063-T6 ALUMINUM

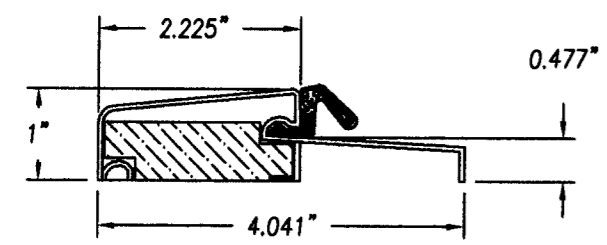
ASTRAGAL HAS TWO 0.312\"/>



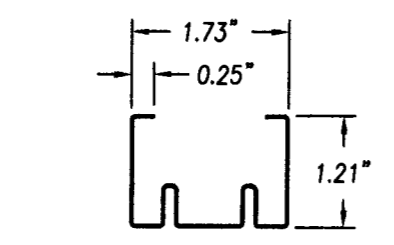
27
ASTRAGAL STRIKE PLATE
 (IMPERIAL 0.125\"/>



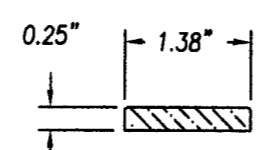
38
ODL LITE FRAME 1/8\"/>



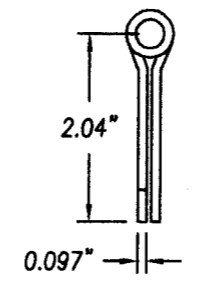
9
OUTSWING BUMP FACE THRESHOLD
 0.051\"/>



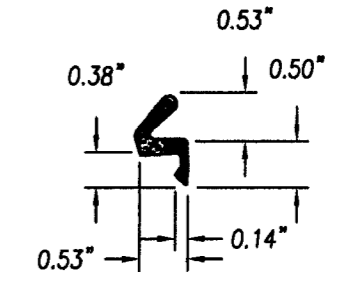
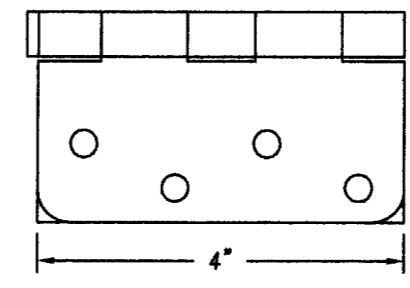
12
DOOR BOTTOM RAIL
 24GA (0.021\") ROLL FORMED STEEL



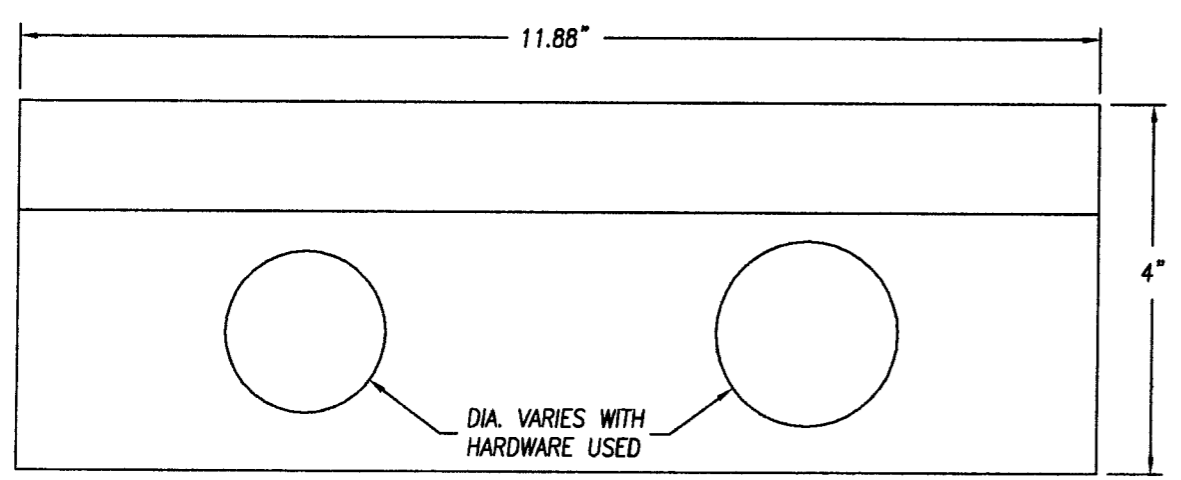
31
MULL CAP
 PINE



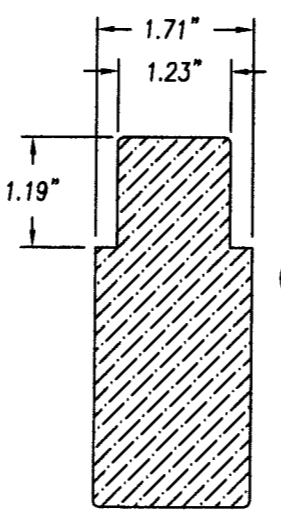
5
HAGER STEEL BUTT HINGE
 4\"/>



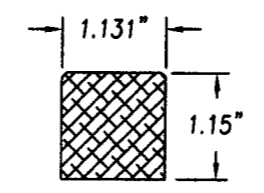
10
COMPRESSION WEATHERSTRIP
 SCHLEGEL Q-LON QDS 650



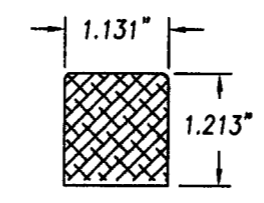
15
WOOD LOCK BLOCK
 1.71\"/>



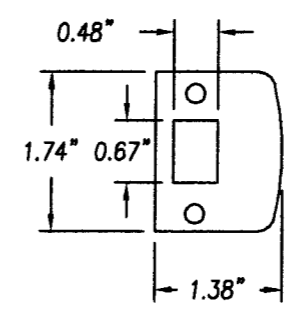
16
HINGE STILE REINFORCEMENT (MDF)



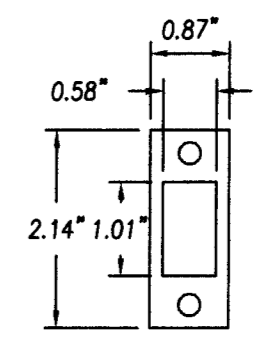
7 8
LATCH STILE REINFORCEMENT (MDF)



33
DOOR LATCH STRIKE PLATE



45
DOOR LATCH DEAD BOLT STRIKE PLATE



PRODUCT: OUTSWING STEEL EDGE OPAQUE IMPACT
 STEEL DOOR UP TO 9'-0\"/>

PART OR ASSEMBLY:		UNIT COMPONENTS	
#	DATE	REVISIONS	BY
D	10-02-07	AS REQUESTED BY MIAMI-DADE	CB
C	5-18-07	MODIFIED TO MEET THE 2004 FBC	WR
B	5-30-02	CORRECT B.O.M.	RW
A	3-13-02	GENERAL REVISION	TJH

DATE: 12-26-01
 SCALE: N.T.S.
 DWG. BY: WLN
 CHK. BY: RW
 DRAWING NO.: S-2102-07
 SHEET 7 OF 7

Eric S. Nielsen
 Eric S. Nielsen
 Florida P. E. No. 41323
 PTC, LLC
 1535 Cogswell Street, Suite C25
 Rockledge, Florida 32955
 FBPE Certificate of Authorization NO. 25935

Prepared By:
PTC
 PTC, LLC
 Phone: 321-690-1788
 Fax: 321-690-1789