



MIAMI-DADE COUNTY
BUILDING CODE COMPLIANCE OFFICE (BCCO)
PRODUCT CONTROL DIVISION

MIAMI-DADE COUNTY, FLORIDA
METRO-DADE FLAGLER BUILDING
140 WEST FLAGLER STREET, SUITE 1603
MIAMI, FLORIDA 33130-1563
 (305) 375-2901 FAX (305) 375-4786

NOTICE OF ACCEPTANCE (NOA)

www.miamidade.gov/buildingcode

Airlite Plastics Company
6110 Abbott Drive
Omaha, NE 68110

SCOPE:

This NOA is being issued under the applicable rules and regulations governing the use of construction materials. The documentation submitted has been reviewed by Miami-Dade County Product Control Division and accepted by the Board of Rules and Appeals (BORA) to be used in Miami Dade County and other areas where allowed by the Authority Having Jurisdiction (AHJ).

This NOA shall not be valid after the expiration date stated below. The Miami-Dade County Product Control Division (In Miami Dade County) and/or the AHJ (in areas other than Miami Dade County) reserve the right to have this product or material tested for quality assurance purposes. If this product or material fails to perform in the accepted manner, the manufacturer will incur the expense of such testing and the AHJ may immediately revoke, modify, or suspend the use of such product or material within their jurisdiction. BORA reserves the right to revoke this acceptance, if it is determined by Miami-Dade County Product Control Division that this product or material fails to meet the requirements of the applicable building code.

This product is approved as described herein, and has been designed to comply with the Florida Building Code, including the High Velocity Hurricane Zone.

DESCRIPTION: Fox Blocks Insulating Concrete Forms (ICFs).

APPROVAL DOCUMENT: Drawing No. **ITS AP1080111**, titled "Fox Blocks Insulating Concrete Forms", sheet 1 of 1, dated 02/04/08, with no revisions, prepared by Category 5 Engineering Services, Inc., signed and sealed by Emma T. Mellinger, P.E., bearing the Miami-Dade County Product Control Approval stamp with the Notice of Acceptance number and Approval date by the Miami-Dade County Product Control Division.

MISSILE IMPACT RATING: None

LABELING: Each unit shall bear a permanent label with the manufacturer's name or logo, city, state and following statement: "Miami-Dade County Product Control Approved" or the Product Control Seal, unless otherwise noted herein.

RENEWAL of this NOA shall be considered after a renewal application has been filed and there has been no change in the applicable building code negatively affecting the performance of this product.

TERMINATION of this NOA will occur after the expiration date or if there has been a revision or change in the materials, use, and/or manufacture of the product or process. Misuse of this NOA as an endorsement of any product, for sales, advertising or any other purposes shall automatically terminate this NOA. Failure to comply with any section of this NOA shall be cause for termination and removal of NOA.

ADVERTISEMENT: The NOA number preceded by the words Miami-Dade County, Florida, and followed by the expiration date may be displayed in advertising literature. If any portion of the NOA is displayed, then it shall be done in its entirety.

INSPECTION: A copy of this entire NOA shall be provided to the user by the manufacturer or its distributors and shall be available for inspection at the job site at the request of the Building Official. This NOA consists of this page 1 and evidence page E-1, as well as approval document mentioned above. The submitted documentation was reviewed by **Carlos M. Utrera, P.E.**



Handwritten signature and date: 2/11/08

NOA No. 07-0919.10
Expiration Date: March 6, 2013
Approval Date: March 6, 2008
 Page 1

NOTICE OF ACCEPTANCE: EVIDENCE SUBMITTED

A. DRAWINGS

1. Drawing No. **ITS AP1080111**, titled "Fox Blocks Insulating Concrete Forms", sheet 1 of 1, dated 02/04/08, with no revisions, prepared by Category 5 Engineering Services, Inc., signed and sealed by Emma T. Mellinger, P.E.

B. TESTS

	<u>Laboratory Report</u>	<u>Test</u>	<u>Date</u>	<u>Signature</u>
1.	3123599MID-001A	ASTM C578/C518	07/17/07	Chris Bowness, P.E.
2.	3123599MID-001A	ASTM C578/C272	07/17/07	Chris Bowness, P.E.
3.	3123599MID-001A	ASTM C578/E96	07/17/07	Chris Bowness, P.E.
4.	3105011	ASTM C578/E84	09/18/06	Chris Bowness, P.E.
5.	3105051SAT-001	ASTM D 1929	07/10/07	Chris Bowness, P.E.

C. CALCULATIONS

1. Concrete form calculations per ACI 347, prepared by Category 5 Engineering Services, Inc., dated 02/04/08, signed and sealed by Emma T. Mellinger, P.E.

D. QUALITY ASSURANCE

1. Miami Dade Building Code Compliance Office (BCCO)

E. MATERIAL CERTIFICATIONS

1. ICC Evaluation Report ESR-2270.
2. State of Florida Approval No. FL7497.

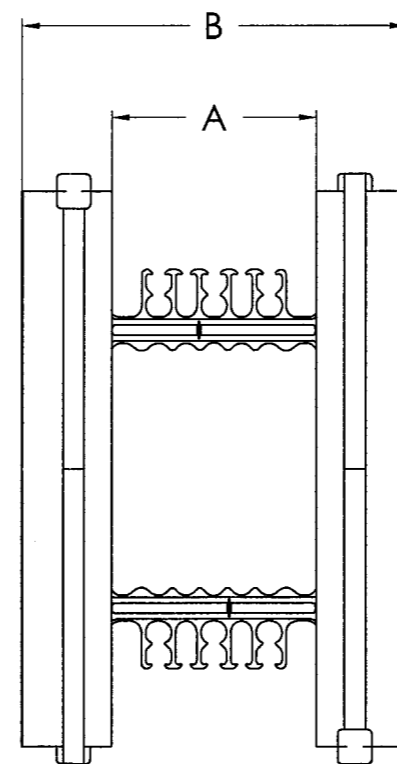
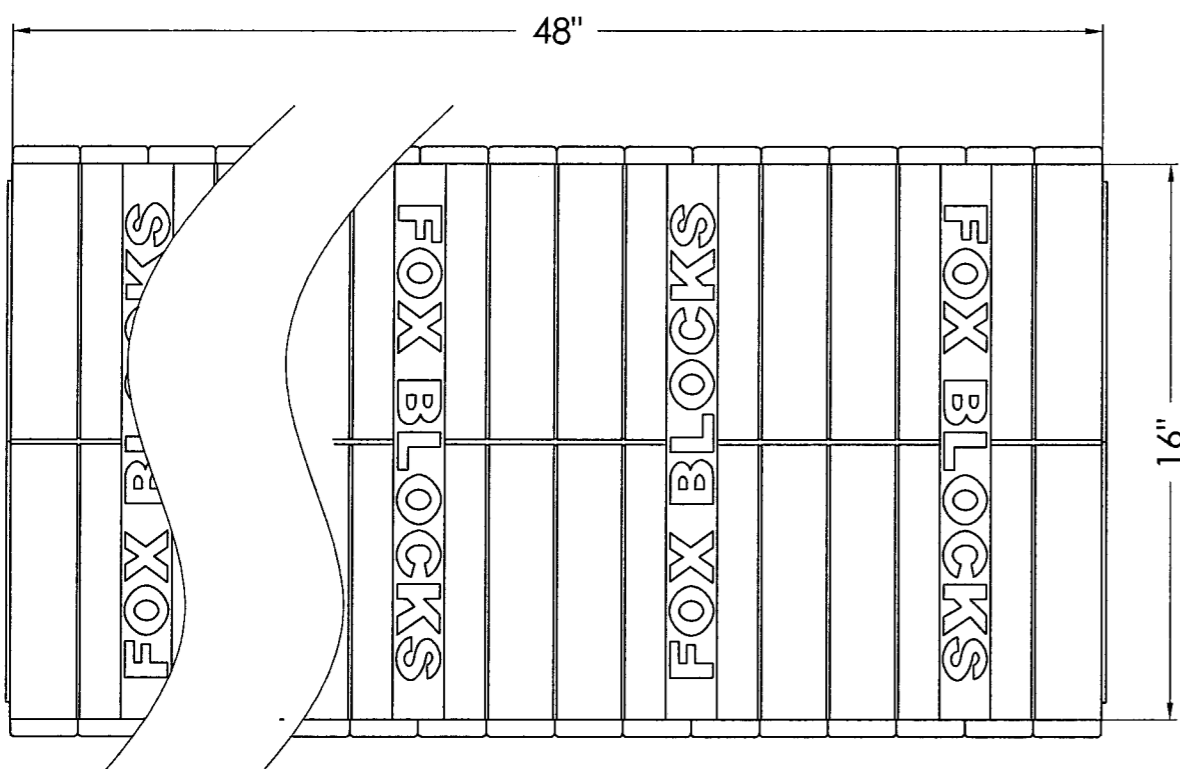
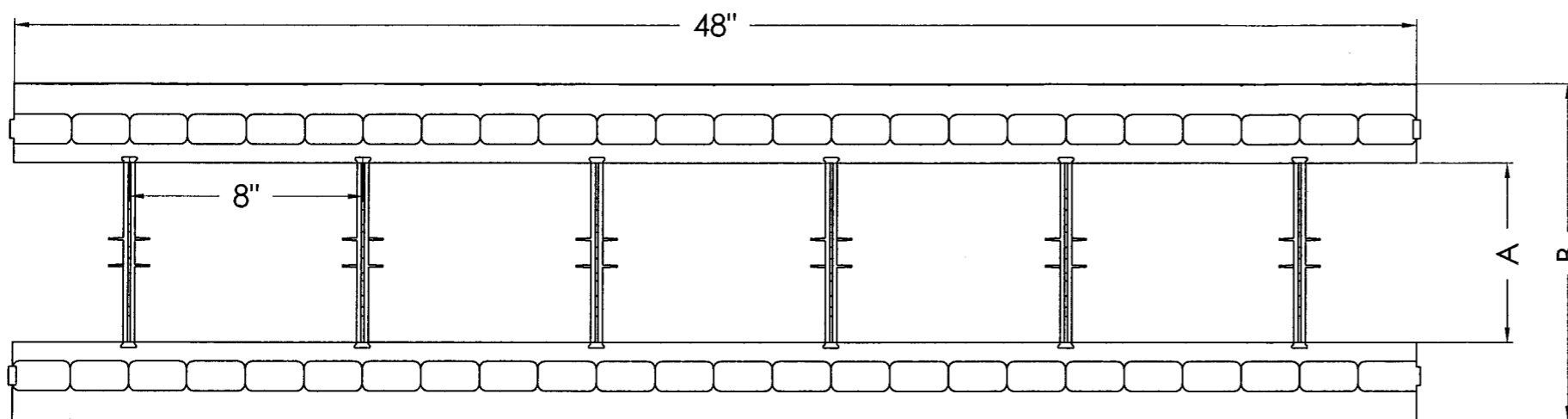
F. STATEMENTS

1. Statement letter of code conformance issued by Category 5 Engineering Services, Inc., dated 02/04/08, signed and sealed by Emma T. Mellinger, P.E.
2. Statement letter of no financial interest issued by Category 5 Engineering Services, Inc., dated 02/04/08, signed and sealed by Emma T. Mellinger, P.E.



Carlos M. Utrera, P.E.
Product Control Examiner
NOA No. 07-0919.10

Expiration Date: March 6, 2013
Approval Date: March 6, 2008



DIMENSION		4" Form	6" Form	8" Form
A	(in)	4	6	8
B	(in)	9.25	11.25	13.25

PRODUCT DESCRIPTION

Fox Blocks Insulating Concrete Forms (ICFs) are made from ASTM C578-compliant Type II expanded polystyrene (EPS). The forms are used as stay-in-place form work for structural concrete, load-bearing and nonload-bearing, below-grade and above-grade walls. The forms are used in construction of plain and reinforced concrete beams, lintels, exterior and interior walls and foundation and retaining walls. The forms remain in place after placement and curing of concrete to provide wall insulation, and must be covered with approved interior and exterior finish materials in accordance with the Florida Building Code. The concrete forming system shall comply with ACI 347, and the concrete walls shall comply with ACI 318. The properties of EPS are listed below.

PROPERTIES	TEST	RESULTS
Density	ASTM C578/ C303	1.5 lb/ft ³
Thermal Resistance	ASTM C578/ C518	4.2 F ft ² h/BTU
Compressive Resistance	ASTM C578/ C165	21.8 psi
Flexural Strength	ASTM C578/ C203	46.6 psi
Water Vapor Permeance	ASTM C578/ E96	2.8 ng/(Pa s m ²)
Water Absorption	ASTM C578/ C272	1.92 vol%
Dimensional Stability	ASTM C578/ D2126	0.3 %change
Oxygen Index	ASTM C578/ 2863	NO
Spontaneous Ignition Temp.	ASTM D1929	752 °F
Flame Spread Index	ASTM E84	≤ 25
Smoke Developed Index	ASTM E84	≤ 450

NOTE

This approval pertains to the insulation properties of the Fox blocks Insulating Concrete Forms. This approval does not imply approval of the concrete used within the form system, or the structural and/or forming capacity of the material and the system.

Approved by: [Signature]
 03/06/2008
 07-09/9.10

CATEGORY 5 Engineering Services, Inc. 1600 S. Federal Highway, #207 Pompano Beach, FL 33062 (954) 784-6991	Product FOX BLOCKS Insulating Concrete Forms	Manufacturer Airlite Plastics Co. 6110 Abbott Drive, Omaha, NE 68110	 2/4/08 Emma T. Mellinger, P.E. FL PE #50049 CA #25854
	Dwg: ITS AP1080111 Sheet: 1 of 1	Revision: 0 Date: February 4th, 2008	