



**BUILDING CODE COMPLIANCE OFFICE (BCCO)
PRODUCT CONTROL DIVISION**

**MIAMI-DADE COUNTY, FLORIDA
METRO-DADE FLAGLER BUILDING
140 WEST FLAGLER STREET, SUITE 1603
MIAMI, FLORIDA 33130-1563
(305) 375-2901 FAX (305) 375-2908**

NOTICE OF ACCEPTANCE (NOA)

**Metals USA Building Products
955 Columbia Street
Brea, CA. 92821**

SCOPE:

This NOA is being issued under the applicable rules and regulations governing the use of construction materials. The documentation submitted has been reviewed by Miami-Dade County Product Control Division and accepted by the Board of Rules and Appeals (BORA) to be used in Miami Dade County and other areas where allowed by the Authority Having Jurisdiction (AHJ).

This NOA shall not be valid after the expiration date stated below. The Miami-Dade County Product Control Division (In Miami Dade County) and/or the AHJ (in areas other than Miami Dade County) reserve the right to have this product or material tested for quality assurance purposes. If this product or material fails to perform in the accepted manner, the manufacturer will incur the expense of such testing and the AHJ may immediately revoke, modify, or suspend the use of such product or material within their jurisdiction. BORA reserves the right to revoke this acceptance, if it is determined by Miami-Dade County Product Control Division that this product or material fails to meet the requirements of the applicable building code.

This product is approved as described herein, and has been designed to comply with the Florida Building Code including the High Velocity Hurricane Zone of the Florida Building Code.

DESCRIPTION: Metals USA E-Z Vent

LABELING: Each unit shall bear a permanent label with the manufacturer's name or logo, city, state and following statement: "Miami-Dade County Product Control Approved", unless otherwise noted herein.

RENEWAL of this NOA shall be considered after a renewal application has been filed and there has been no change in the applicable building code negatively affecting the performance of this product.

TERMINATION of this NOA will occur after the expiration date or if there has been a revision or change in the materials, use, and/or manufacture of the product or process. Misuse of this NOA as an endorsement of any product, for sales, advertising or any other purposes shall automatically terminate this NOA. Failure to comply with any section of this NOA shall be cause for termination and removal of NOA.

ADVERTISEMENT: The NOA number preceded by the words Miami-Dade County, Florida, and followed by the expiration date may be displayed in advertising literature. If any portion of the NOA is displayed, then it shall be done in its entirety.

INSPECTION: A copy of this entire NOA shall be provided to the user by the manufacturer or its distributors and shall be available for inspection at the job site at the request of the Building Official.

This renews and revises NOA #07-0612.07 consists of pages 1 through 8.
The submitted documentation was reviewed by Alex Tigera



**NOA No.: 08-0229.01
Expiration Date: 11/15/12
Approval Date: 04/10/08
Page 1 of 8**

ROOFING SYSTEM APPROVAL

Category: Roofing
Sub-Category: Ventilation
Material: Steel

TRADE NAMES OF PRODUCTS MANUFACTURED OR LABELED BY APPLICANT:

<u>Product</u>	<u>Dimensions</u>	<u>Test Specification</u>	<u>Product Description</u>
Metal USA EZ Vent for Gerard Canyon Shake	L = 45" long W = 16-1/2" wide Thickness = 26 ga.	TAS 100(A)	Static ventilation system for use with Gerard Roofing Technologies Gerard Canyon Shake Metal Roofing System.
Metal USA EZ Vent for Gerard Barrel Vault	L = 43.84" long W = 15-5/8" wide Thickness = 26 ga.	TAS 100(A)	Static ventilation system for use with Gerard Roofing Technologies Gerard Barrel Vault Metal Roofing System.
Metal USA EZ Vent for Gerard Tile	L = 45.75" long W = 15-1/2" wide Thickness = 26 ga.	TAS 100(A)	Static ventilation system for use with Gerard Roofing Technologies Gerard Tile Metal Roofing System.
Metal USA EZ Vent for Gerard Shake	L = 44.75" long W = 15-1/2" wide Thickness = 26 ga.	TAS 100(A)	Static ventilation system for use with Gerard Roofing Technologies Gerard Shake Metal Roofing System.
Metal USA EZ Vent for Gerard Granite Ridge	L = 46" long W = 15-5/8" wide Thickness = 26 ga.	TAS 100(A)	Static ventilation system for use with Gerard Roofing Technologies Gerard Granite Ridge Metal Roofing System.
Metal USA EZ Vent for Gerard NB Tile	L = 46" long W = 16" wide Thickness = 26 ga.	TAS 100(A)	Static ventilation system for use with Gerard Roofing Technologies Gerard NB Tile Metal Roofing System.

EVIDENCE SUBMITTED:

<u>Test Agency</u>	<u>Test Identifier</u>	<u>Description</u>	<u>Date</u>
PRI Construction Materials	MUSA-012-02-01	ASTM B 117	12/26/07
PRI Construction Materials	MUSA-012-02-04	ASTM G 26	01/21/08
PRI Construction Materials	MUSA-003-02-01	TAS 100(A)	10/18/06
PRI Construction Materials	MUSA-004-02-01	TAS 100(A)	10/18/06
PRI Construction Materials	MUSA-002-02-01	TAS 100(A)	10/19/06

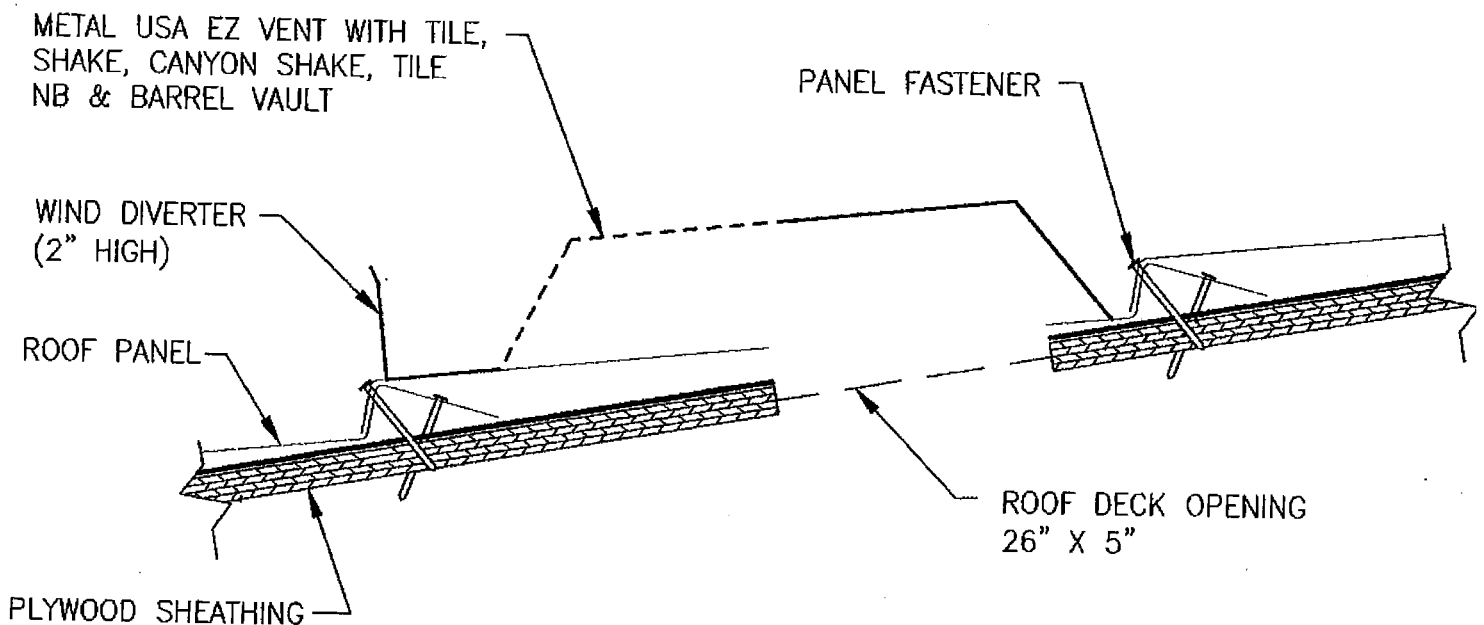


NOA No.: 08-0229.01
 Expiration Date: 11/15/12
 Approval Date: 04/10/08
 Page 2 of 8

APPROVED APPLICATIONS

Trade name:	Metals USA EZ Vent for Gerard Tile, Shake, Canyon Shake, Tile NB & Barrel Vault
System Type A:	Mechanical attachment of static vent over Gerard Roofing Technologies Gerard Tile, Shake, Canyon Shake, Tile NB & Barrel Vault Metal Roofing System.
Cutout:	At chosen location (see Metals USA's instructions for proper placement) and centered between two roof rafters, cut a 26" long by 5" wide hole through sheathing boards.
Installation:	The Gerard Tile, Shake, Canyon Shake, Tile NB & Barrel Vault panels shall be installed as per the product Notice of Acceptance and the manufacturer's installation instructions. Install the EZ Vent over the opening in the roof deck and fasten to the plywood sheathing as per Gerard Tile, Shake, Canyon Shake, Tile NB & Barrel Vault Notice of Acceptance. See Detail A Below.
Net Free Area:	Refer to manufacturers published literature

DETAIL A



Trade name: Metals USA EZ Vent for Gerard Granite Ridge

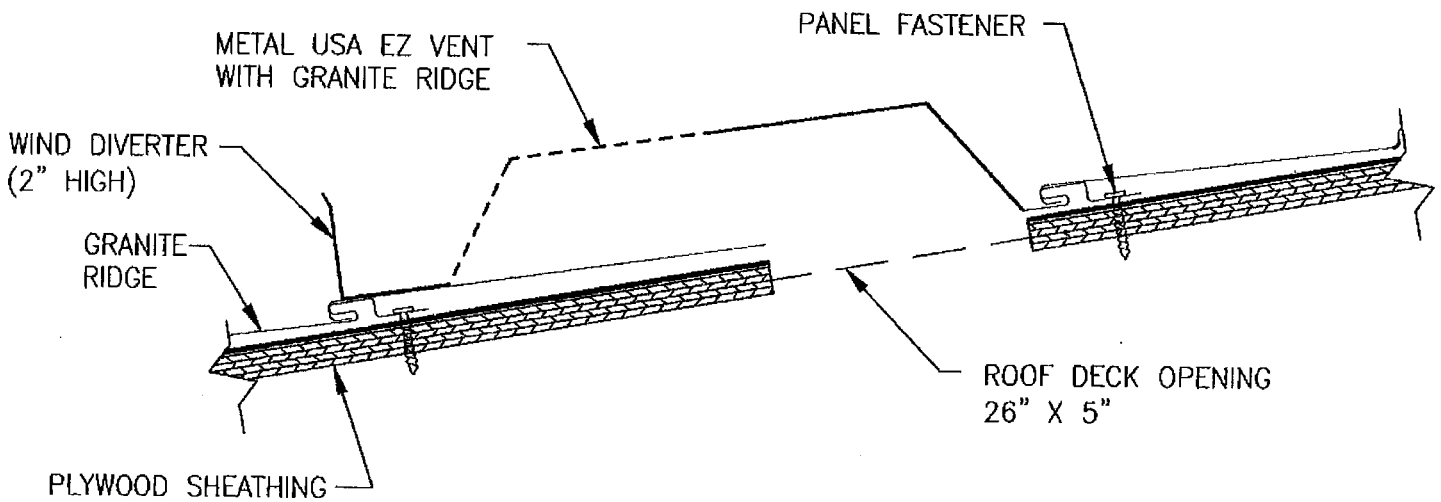
System Type B: Mechanical attachment of static vent over Gerard Roofing Technologies Gerard Granite Ridge Metal Roofing System.

Cutout: At chosen location (see Metals USA's instructions for proper placement) and centered between two roof rafters, cut a 26" long by 5" wide hole through sheathing boards.

Installation: The Gerard Granite Ridge panels shall be installed as per the product Notice of Acceptance and the manufacturer's installation instructions.
Install the EZ Vent over the opening in the roof deck and fasten to the plywood as per Gerard Granite Ridge Notice of Acceptance. **See Detail B.**

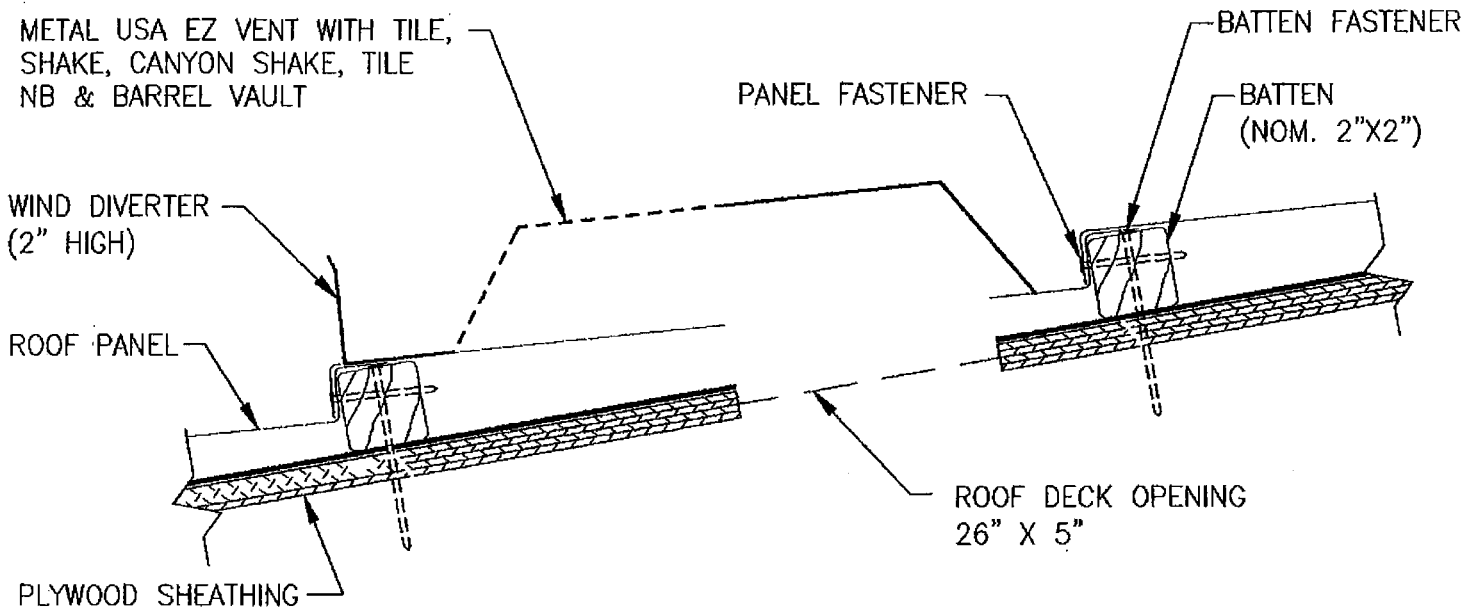
Net Free Area: Refer to manufacturers published literature

DETAIL B



- Trade name:** Metals USA EZ Vent for Gerard Tile, Shake, Canyon Shake, Tile NB & Barrel Vault
- System Type C:** Mechanical attachment of static vent over Gerard Roofing Technologies Tile, Shake, Canyon Shake, Tile NB & Barrel Vault Metal Roofing System.
- Cutout:** At chosen location (see Metals USA's instructions for proper placement) and centered between two roof rafters, cut a 26" long by 5" wide hole through sheathing boards.
- Installation:** The Gerard Tile, Shake, Canyon Shake, Tile NB & Barrel Vault panels shall be installed as per the product Notice of Acceptance and the manufacturer's installation instructions.
Install the EZ Vent over the opening in the roof deck and fasten to the battens and plywood sheathing as per Gerard Tile, Shake, Canyon Shake, Tile NB & Barrel Vault Notice of Acceptance. **See Detail C.**
- Net Free Area:** Refer to manufacturers published literature

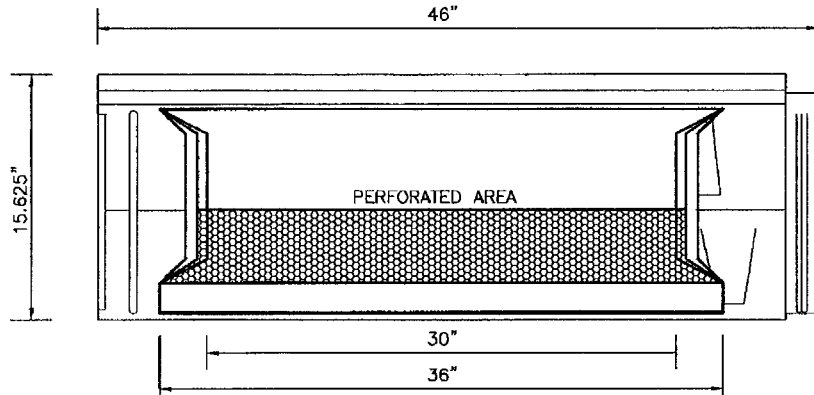
DETAIL C



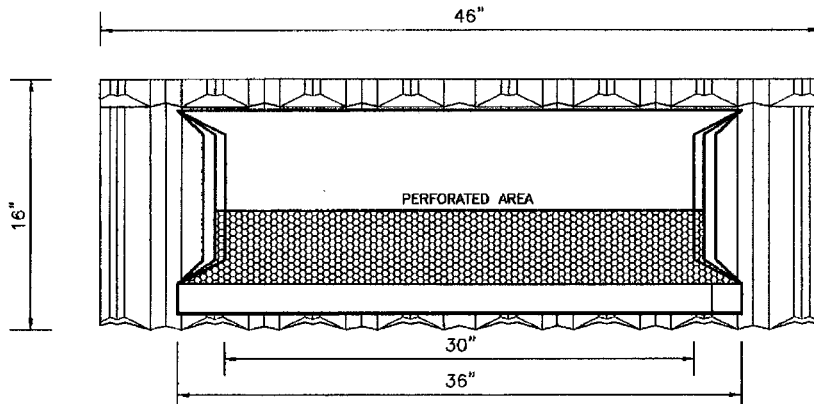
LIMITATIONS:

1. Refer to applicable building codes for required ventilation.
2. Metals USA EZ vents shall not be installed on roof mean heights greater than 33 feet.

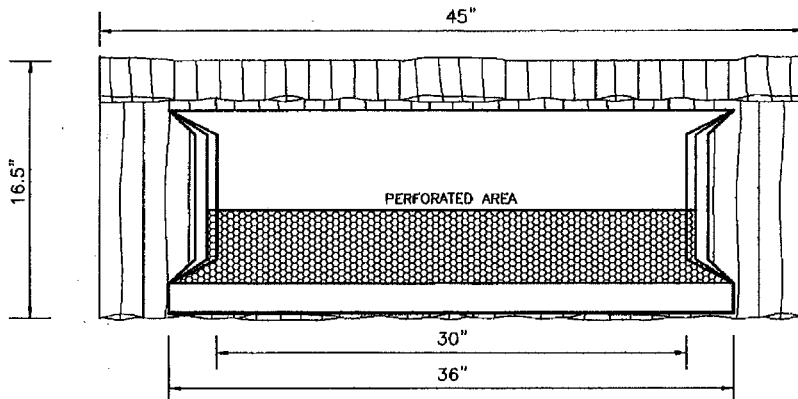
DETAIL DRAWINGS



METAL USA VENT FOR GRANITE RIDGE

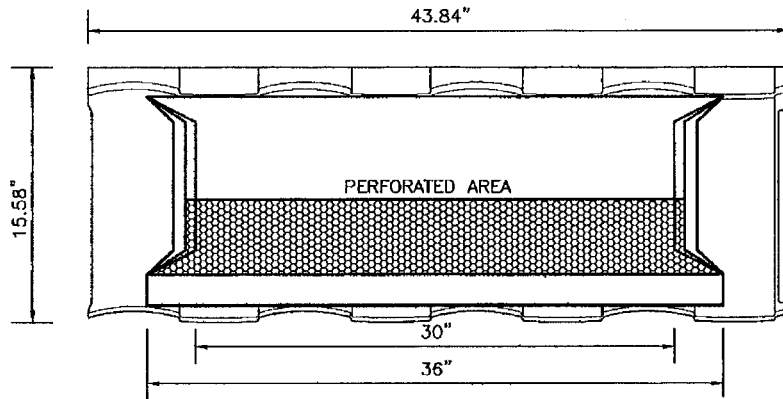


METAL USA VENT FOR NB TILE

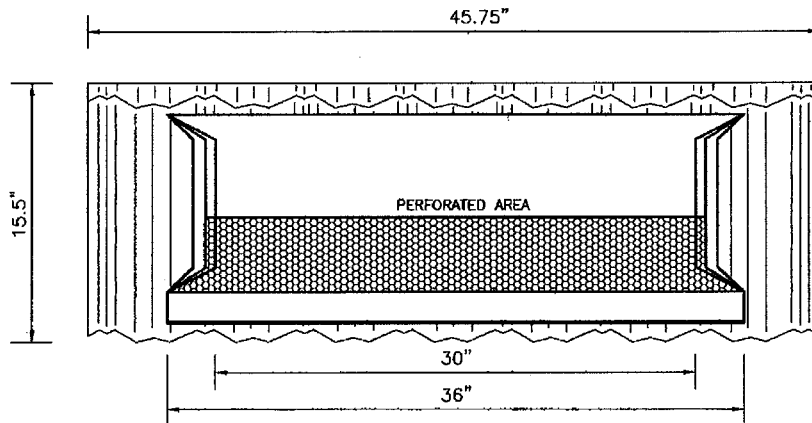


METAL USA VENT FOR CANYON SHAKE

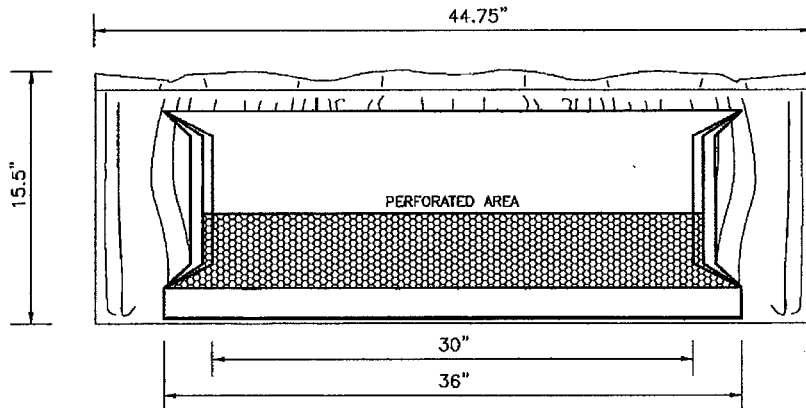




METAL USA VENT FOR BARREL VAULT



METAL USA VENT FOR TILE



METAL USA VENT FOR SHAKE

END OF THIS ACCEPTANCE



NOA No.: 08-0229.01
 Expiration Date: 11/15/12
 Approval Date: 04/10/08
 Page 8 of 8