



MIAMI-DADE COUNTY
BUILDING CODE COMPLIANCE OFFICE (BCCO)
PRODUCT CONTROL DIVISION

MIAMI-DADE COUNTY, FLORIDA
METRO-DADE FLAGLER BUILDING
140 WEST FLAGLER STREET, SUITE 1603
MIAMI, FLORIDA 33130-1563
 (305) 375-2901 FAX (305) 372-6339

NOTICE OF ACCEPTANCE (NOA)

www.miamidade.gov/buildingcode

Cantera Doors, Inc.
3698 RR 620 South, Suite 101
Austin, TX 78738

SCOPE:

This NOA is being issued under the applicable rules and regulations governing the use of construction materials. The documentation submitted has been reviewed by Miami-Dade County Product Control Division and accepted by the Board of Rules and Appeals (BORA) to be used in Miami Dade County and other areas where allowed by the Authority Having Jurisdiction (AHJ).

This NOA shall not be valid after the expiration date stated below. The Miami-Dade County Product Control Division (In Miami Dade County) and/or the AHJ (in areas other than Miami Dade County) reserve the right to have this product or material tested for quality assurance purposes. If this product or material fails to perform in the accepted manner, the manufacturer will incur the expense of such testing and the AHJ may immediately revoke, modify, or suspend the use of such product or material within their jurisdiction. BORA reserves the right to revoke this acceptance, if it is determined by Miami-Dade County Product Control Division that this product or material fails to meet the requirements of the applicable building code. This product is approved as described herein, and has been designed to comply with the Florida Building Code, including the High Velocity Hurricane Zone.

DESCRIPTION: Outswing Glazed Steel Door w & w/o Transom – L.M.I.

APPROVAL DOCUMENT: Drawing No. **CANT0002**, titled “Steel Outswing Doors with & without Transoms”, sheets 1 through 10 of 10, dated 07/31/08 with revision B dated 02/05/09, prepared by PTC, LLC, signed and sealed by Paul E. Winter, P.E., bearing the Miami-Dade County Product Control Approval stamp with the Notice of Acceptance number and approval date by the Miami-Dade County Product Control Division.

MISSILE IMPACT RATING: Large and Small Missile Impact Resistant

LABELING: Each unit shall bear a permanent label with the manufacturer's name:

Cantera Doors, Inc., Hidalgo #701 Pte. Col Centro de Escobedo, Nuevo Leon, Mexico CP 66050 and the following statement: "Miami-Dade County Product Control Approved".

RENEWAL of this NOA shall be considered after a renewal application has been filed and there has been no change in the applicable building code negatively affecting the performance of this product.

TERMINATION of this NOA will occur after the expiration date or if there has been a revision or change in the materials, use, and/or manufacture of the product or process. Misuse of this NOA as an endorsement of any product, for sales, advertising or any other purposes shall automatically terminate this NOA. Failure to comply with any section of this NOA shall be cause for termination and removal of NOA.

ADVERTISEMENT: The NOA number preceded by the words Miami-Dade County, Florida, and followed by the expiration date may be displayed in advertising literature. If any portion of the NOA is displayed, then it shall be done in its entirety.

INSPECTION: A copy of this entire NOA shall be provided to the user by the manufacturer or its distributors and shall be available for inspection at the job site at the request of the Building Official.

This NOA consists of this page 1 and evidence pages E-1 and E-2, as well as approval document mentioned above.

The submitted documentation was reviewed by **Manuel Perez, P.E.**



NOA No. 08-0807.20
Expiration Date: June 10, 2014
Approval Date: June 10, 2009
 Page 1

Cantera Doors, Inc.

NOTICE OF ACCEPTANCE: EVIDENCE SUBMITTED

A. DRAWINGS

1. Manufacturer's die drawings and sections.
2. Drawing No **CANT0002**, Sheets 1 through 10 of 10, titled "Steel Outswing Doors with & without Transoms, dated 07/31/08 with revision B dated 02/05/09, prepared by PTC, LLC, signed and sealed by Paul E. Winter, P.E.

B. TESTS

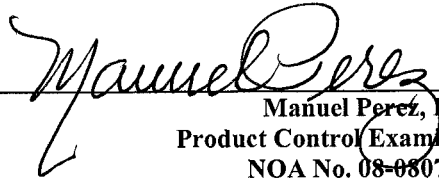
1. Test reports on:
 - 1) Air Infiltration Test, per FBC, TAS 202-94
 - 2) Uniform Static Air Pressure Test, Loading per FBC TAS 202-94
 - 3) Water Resistance Test, per FBC, TAS 202-94
 - 4) Large Missile Impact Test per FBC, TAS 201-94
 - 5) Cyclic Wind Pressure Loading per FBC, TAS 203-94
 - 6) Forced Entry Test, per FBC 2411 3.2.1, TAS 202-94along with marked-up drawings and installation diagram of outswing steel door, prepared by Certified Testing Laboratories, Test Report No. **CTLA 1762W-5**, dated 02/06/08, and addendum letter dated 12/03/08, all signed and sealed by Ramesh Patel, P.E.
2. Test reports on:
 - 1) Air Infiltration Test, per FBC, TAS 202-94
 - 2) Uniform Static Air Pressure Test, Loading per FBC TAS 202-94
 - 3) Water Resistance Test, per FBC, TAS 202-94
 - 4) Large Missile Impact Test per FBC, TAS 201-94
 - 5) Cyclic Wind Pressure Loading per FBC, TAS 203-94
 - 6) Forced Entry Test, per FBC 2411 3.2.1, TAS 202-94along with marked-up drawings and installation diagram of outswing steel door, prepared by Certified Testing Laboratories, Test Report No. **CTLA 1762W-4**, dated 01/30/08, signed and sealed by Ramesh Patel P.E.

C. CALCULATIONS

1. Anchor verification calculations and structural analysis, complying with FBC-2007, prepared by PTC, LLC, dated 06/04/08 and 03/05/09 signed and sealed by Paul E. Winter, P.E.
Complies with ASTM E1300-03/04

D. QUALITY ASSURANCE

1. Miami Dade Building Code Compliance Office (BCCO).


Manuel Perez, P.E.
Product Control Examiner
NOA No. 08-0807.20
Expiration Date: June 10, 2014
Approval Date: June 10, 2009

Cantera Doors, Inc.

NOTICE OF ACCEPTANCE: EVIDENCE SUBMITTED

E. MATERIAL CERTIFICATIONS

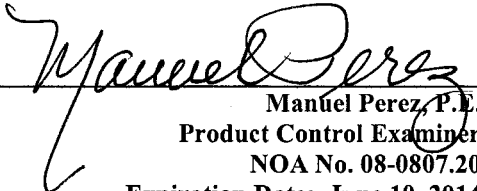
1. Notice of Acceptance No. **09-0312.03** issued to E.I. DuPont DeNemours & Co., Inc. for their "**DuPont Sentry Glass® Interlayer**" dated 05/13/09, expiring on 01/14/12.

F. STATEMENTS

1. Statement letter of conformance and no financial interest, dated August 4, 2008, signed and sealed by Paul E. Winter, P.E.

G. OTHERS

1. None.


Manuel Perez, P.E.
Product Control Examiner
NOA No. 08-0807.20
Expiration Date: June 10, 2014
Approval Date: June 10, 2009

CANTERA DOORS

STEEL OUTSWING DOORS WITH & WITHOUT TRANSOMS

INSTALLATION ANCHORAGE DRAWING

GENERAL NOTES:

1. THE PRODUCT ANCHORAGE SHOWN HEREIN IS DESIGNED TO COMPLY WITH THE 2004 & 2007 FLORIDA BUILDING CODE (FBC), INCLUDING HIGH VELOCITY HURRICANE ZONE (HVHZ) REQUIREMENTS, AND AT THE DESIGN PRESSURES STATED HEREIN.
2. THE PRODUCT DETAILS CONTAINED HEREIN ARE BASED UPON SIGNED AND SEALED TEST REPORT #CTLA 1762W-4 DATED 17MAR2008, CTLA 1762W-5 DATED 19 MAR2008 AND ASSOCIATED LABORATORY STAMPED DRAWINGS.
3. THE PRODUCT HAS BEEN EVALUATED FOR CONFORMANCE TO THE STANDARDS LISTED IN THE FLORIDA BUILDING CODE (FBC) AND IS IN COMPLIANCE WITH SAID STANDARDS, INCLUDING HIGH VELOCITY HURRICANE ZONE (HVHZ) REQUIREMENTS.
4. ADEQUACY OF THE EXISTING STRUCTURAL CONCRETE / MASONRY AND 2X FRAMING AS A MAIN WIND FORCE RESISTING SYSTEM CAPABLE OF WITHSTANDING AND TRANSFERRING APPLIED PRODUCT LOADS TO THE FOUNDATION IS THE RESPONSIBILITY OF THE ENGINEER OR ARCHITECT OF RECORD FOR THE PROJECT.
5. 1X AND 2X BUCKS (WHEN USED) SHALL BE DESIGNED AND ANCHORED TO PROPERLY TRANSFER ALL LOADS TO THE STRUCTURE. BUCK DESIGN AND INSTALLATION IS THE RESPONSIBILITY OF THE ENGINEER OR ARCHITECT OF RECORD FOR THE PROJECT.

6. THE INSTALLATION DETAILS DESCRIBED HEREIN ARE GENERIC AND MAY NOT REFLECT ACTUAL CONDITIONS FOR A SPECIFIC SITE. IF SITE CONDITIONS CAUSE INSTALLATION TO DEVIATE FROM THE REQUIREMENTS DETAILED HEREIN, SITE SPECIFIC DOCUMENTS SHALL BE PREPARED FOR USE WITH THIS DOCUMENT.
7. IN HVHZ AREAS, USE OF AN APPROVED IMPACT PROTECTIVE SYSTEM COMPLYING WITH THE HVHZ REQUIREMENTS OF THE FBC IS NOT REQUIRED FOR THE PRODUCT HEREIN
8. DOOR FRAME AND PANEL MATERIAL: STEEL
9. GLASS MEETS THE REQUIREMENTS OF ASTM E1300. SEE SHEET 5 FOR GLAZING DETAIL.
10. DESIGNATIONS "X" AND "O" STAND FOR THE FOLLOWING:
X: OPERABLE PANEL
O: FIXED PANEL
11. A 1/3 INCREASE IN ALLOWABLE STRESS FOR WIND LOADS WAS NOT USED IN THE DESIGN OF THE PRODUCT(S) SHOWN HEREIN.

INSTALLATION NOTES:

1. TWO (2) INSTALLATION ANCHORS ARE REQUIRED AT EACH ANCHOR LOCATION SHOWN IN HEAD AND JAMBS. ONE (1) INSTALLATION ANCHOR IS REQUIRED IN THE THRESHOLD.
2. THE NUMBER OF INSTALLATION ANCHORS DEPICTED IS THE MINIMUM NUMBER OF ANCHORS TO BE USED FOR PRODUCT INSTALLATION. IN ADDITION TO THE INSTALLATION ANCHORS SHOWN.
3. AT EACH INSTALLATION ANCHOR, SHIM GAPS THAT ARE EQUAL TO OR GREATER THAN 1/16". MAXIMUM ALLOWABLE SHIM SIZE IS 1/4".
4. FOR INSTALLATION INTO WOOD FRAMING, USE 3/8" LAG SCREWS OF SUFFICIENT LENGTH TO ACHIEVE 2 1/2 INCH MINIMUM EMBEDMENT IN FRAME HEAD AND JAMBS.
5. FOR INSTALLATION TO CONCRETE, USE 3/8 INCH POWER'S TAPPERS OF SUFFICIENT LENGTH TO ACHIEVE 1 3/4 INCH MINIMUM EMBEDMENT AT HEAD AND JAMBS. USE 1/4 INCH ITW TAPCONS OF SUFFICIENT LENGTH TO ACHIEVE 1 1/4 INCH MINIMUM EMBEDMENT AT SILL.
6. ALTERNATE CONCRETE / MASONRY INSTALLATION ANCHORS OF EQUIVALENT PERFORMANCE CHARACTERISTICS CAN BE USED UPON APPROVAL OF THE ARCHITECT OR ENGINEER OF RECORD FOR THE PROJECT OF INSTALLATION.
7. MINIMUM EMBEDMENT AND EDGE DISTANCE EXCLUDE WALL FINISHES (INCLUDING BUT NOT LIMITED TO STUCCO, FOAM, BRICK VENEER, AND SIDING).
8. INSTALLATION ANCHORS AND ASSOCIATED HARDWARE MUST BE MADE OF CORROSION RESISTANT MATERIAL OR HAVE A CORROSION RESISTANT COATING.
9. INSTALLATION ANCHORS SHALL BE INSTALLED IN ACCORDANCE WITH ANCHOR MANUFACTURER'S INSTALLATION INSTRUCTIONS, AND ANCHORS SHALL NOT BE USED IN SUBSTRATES WITH STRENGTHS LESS THAN THE MINIMUM STRENGTH SPECIFIED BY THE ANCHOR MANUFACTURER BELOW.
10. INSTALLATION ANCHOR CAPACITIES FOR PRODUCTS HEREIN ARE BASED ON SUBSTRATE MATERIALS WITH THE FOLLOWING PROPERTIES:
 - A. WOOD PT SOUTHERN YELLOW PINE - MINIMUM SPECIFIC GRAVITY IS 0.55. LUMBER MUST COMPLY WITH FBC SECTIONS 2411.3.3.3 AND 2326.2 AS TO WOOD PROTECTION.
 - B. CONCRETE - MINIMUM COMPRESSIVE STRENGTH OF 2000 PSI & CONFORMS TO ACI 301, ACI 318-05, ACI 355 AND FBC.
 - C. MASONRY - STRENGTH CONFORMS TO ACI 530-05, ASTM C-90 AND FBC - GRADE "N", TYPE 1 (OR GREATER).
11. THE STRUCTURAL PERFORMANCE TEST REPORT INDICATES THAT HINGE FRAME SCREWS WERE NOT REPLACED WITH ADDITIONAL INSTALLATION ANCHORS SCREWS DURING PRODUCT TESTING. HINGE INSTALLATION, USING TESTED HINGE SCREWS, IS QUALIFIED BY SATISFACTORY TEST PERFORMANCE.



TABLE 1

SOLID MIG WIRE: AWS ER70S-6	TYPICAL APPLICATIONS																																																								
This is a copper coated, mild steel solid welding wire that is formulated with a high deoxidizer content to provide excellent welding performance with CO2 and argon rich shielding gasses. Ideal for short circuit transfer general fabrication welding. Produces an exceptionally smooth and stable arc with minimal spatter and offers good wetting characteristics that allow for uniform tie-in. It is a great choice for welding light to moderately scaled, oily or rusty plates. It can also be recommended for spray transfer arc welding applications.	Pressure vessels, pipe, shaft build up, tanks, farm implements, steel castings, auto body, collision repair and very thin sheet metal. Excellent choice when welding with wire feed speeds ranging from very slow to moderately fast.																																																								
Typical Wire Chemistry	Typical Weld Metal Properties																																																								
<table style="width: 100%; border-collapse: collapse;"> <tr><td style="width: 20%;"></td><td style="width: 20%;">AWS Specs</td><td style="width: 20%;"></td><td style="width: 20%;"></td></tr> <tr><td>Carbon</td><td>.09</td><td>.07/ .15</td><td></td></tr> <tr><td>Manganese</td><td>1.55</td><td>1.40/ 1.85</td><td></td></tr> <tr><td>Silicon</td><td>.84</td><td>.80/ 1.15</td><td></td></tr> <tr><td>Phosphorus</td><td>.011</td><td>.025 max</td><td></td></tr> <tr><td>Sulfur</td><td>.015</td><td>.035 max</td><td></td></tr> <tr><td>Copper</td><td>.115</td><td>.50 max</td><td></td></tr> </table>		AWS Specs			Carbon	.09	.07/ .15		Manganese	1.55	1.40/ 1.85		Silicon	.84	.80/ 1.15		Phosphorus	.011	.025 max		Sulfur	.015	.035 max		Copper	.115	.50 max		<table style="width: 100%; border-collapse: collapse;"> <tr><td style="width: 20%;"></td><td style="width: 20%;">CO2</td><td style="width: 20%;">75% Air, 25% CO@</td><td style="width: 20%;"></td></tr> <tr><td>Carbon</td><td>.09</td><td>.08</td><td></td></tr> <tr><td>Manganese</td><td>1.25</td><td>1.34</td><td></td></tr> <tr><td>Silicon</td><td>.74</td><td>.79</td><td></td></tr> <tr><td>Phosphorus</td><td>.013</td><td>.013</td><td></td></tr> <tr><td>Sulfur</td><td>.023</td><td>.023</td><td></td></tr> <tr><td>Copper</td><td>.092</td><td>.091</td><td></td></tr> </table>		CO2	75% Air, 25% CO@		Carbon	.09	.08		Manganese	1.25	1.34		Silicon	.74	.79		Phosphorus	.013	.013		Sulfur	.023	.023		Copper	.092	.091	
	AWS Specs																																																								
Carbon	.09	.07/ .15																																																							
Manganese	1.55	1.40/ 1.85																																																							
Silicon	.84	.80/ 1.15																																																							
Phosphorus	.011	.025 max																																																							
Sulfur	.015	.035 max																																																							
Copper	.115	.50 max																																																							
	CO2	75% Air, 25% CO@																																																							
Carbon	.09	.08																																																							
Manganese	1.25	1.34																																																							
Silicon	.74	.79																																																							
Phosphorus	.013	.013																																																							
Sulfur	.023	.023																																																							
Copper	.092	.091																																																							
Typical Mechanical Properties	Approvals and Conformances																																																								
<table style="width: 100%; border-collapse: collapse;"> <tr><td style="width: 20%;">(AW):</td><td style="width: 20%;">CO2</td><td style="width: 20%;"></td><td style="width: 20%;"></td></tr> <tr><td>Tensile Strength (psf)</td><td>89,400</td><td></td><td></td></tr> <tr><td>Yield Strength (psf)</td><td>69,800</td><td></td><td></td></tr> <tr><td>Elongation % in 2"</td><td>27%</td><td></td><td></td></tr> </table>	(AW):	CO2			Tensile Strength (psf)	89,400			Yield Strength (psf)	69,800			Elongation % in 2"	27%			<table style="width: 100%; border-collapse: collapse;"> <tr><td style="width: 20%;">AWS, A5.18, ER70S-6</td><td style="width: 20%;"></td><td style="width: 20%;"></td><td style="width: 20%;"></td></tr> <tr><td>*ASME SFA 5.18, F-6,A-1</td><td></td><td></td><td></td></tr> <tr><td>*ABS</td><td></td><td></td><td></td></tr> <tr><td>*MIL-E-23765/1</td><td></td><td></td><td></td></tr> <tr><td>*CWB</td><td></td><td></td><td></td></tr> </table>	AWS, A5.18, ER70S-6				*ASME SFA 5.18, F-6,A-1				*ABS				*MIL-E-23765/1				*CWB																							
(AW):	CO2																																																								
Tensile Strength (psf)	89,400																																																								
Yield Strength (psf)	69,800																																																								
Elongation % in 2"	27%																																																								
AWS, A5.18, ER70S-6																																																									
*ASME SFA 5.18, F-6,A-1																																																									
*ABS																																																									
*MIL-E-23765/1																																																									
*CWB																																																									

TABLE OF CONTENTS

SHEET	REV.	SHEET DESCRIPTION
1	B	GENERAL NOTES, INSTALLATION NOTES, D.P. CHART & TABLE 1
2	B	ELEVATION AND ANCHOR LAYOUT
3	B	ELEVATION AND ANCHOR LAYOUT
4	B	ELEVATION AND ANCHOR LAYOUT
5	B	VERTICAL SECTIONS AND GLAZING DETAIL
6	B	VERTICAL SECTIONS
7	B	HORIZONTAL SECTIONS
8	B	HORIZONTAL SECTION AND CORNER DETAILS
9	B	COMPONENTS AND BILL OF MATERIALS
10	A	APPROVED CONFIGURATIONS

DESIGN PRESSURE RATING (PSF)

CONFIGURATIONS	WHERE WATER INFILTRATION REQUIREMENT IS NEEDED	WHERE WATER INFILTRATION REQUIREMENT IS NOT NEEDED	IMPACT RATING
DOUBLE DOOR W/ RECTANGULAR TRANSOM (W4)	±19.1	±70.0	LARGE MISSILE
DOUBLE DOOR WITH ARCH TRANSOM (W5)	±45.0	±70.0	

APPROVED BY:	PAUL E. WINTER, P.E.	DATE:	07/31/08
	PER MIAMI-DADE	01-05-09	02/05/09
	PER MIAMI-DADE	9-25-08	12/5/08
		DESCRIPTION	DATE
B			BB
A			SMC
REV			BY

CANTERA DOORS
3698 R.R. 620 SOUTH, STE 101
AUSTIN, TX 78738

TITLE: STEEL OUTSWING DOORS WITH & WITHOUT TRANSOMS
GENERAL NOTES, INSTALLATION NOTES & D.P. CHART

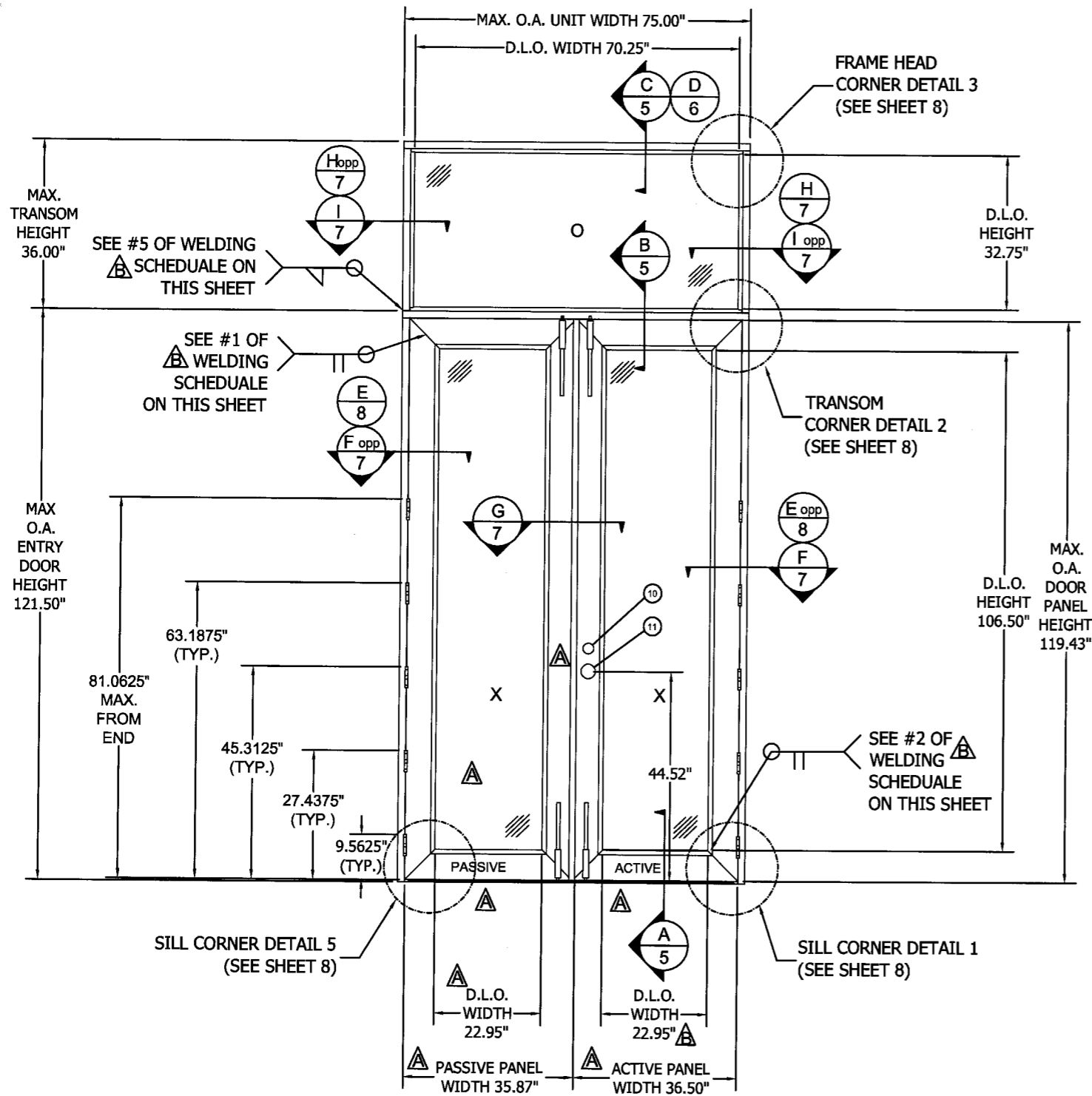
DRAWN BY: BB DATE: 07/31/08
SCALE: N.T.S. DRAWING NO: CANT0002
REV: B SHEET: 1 OF 10

PREPARED BY: **PIC**
PTC, LLC
Phone 321.690.1788
Fax 321.690.1789

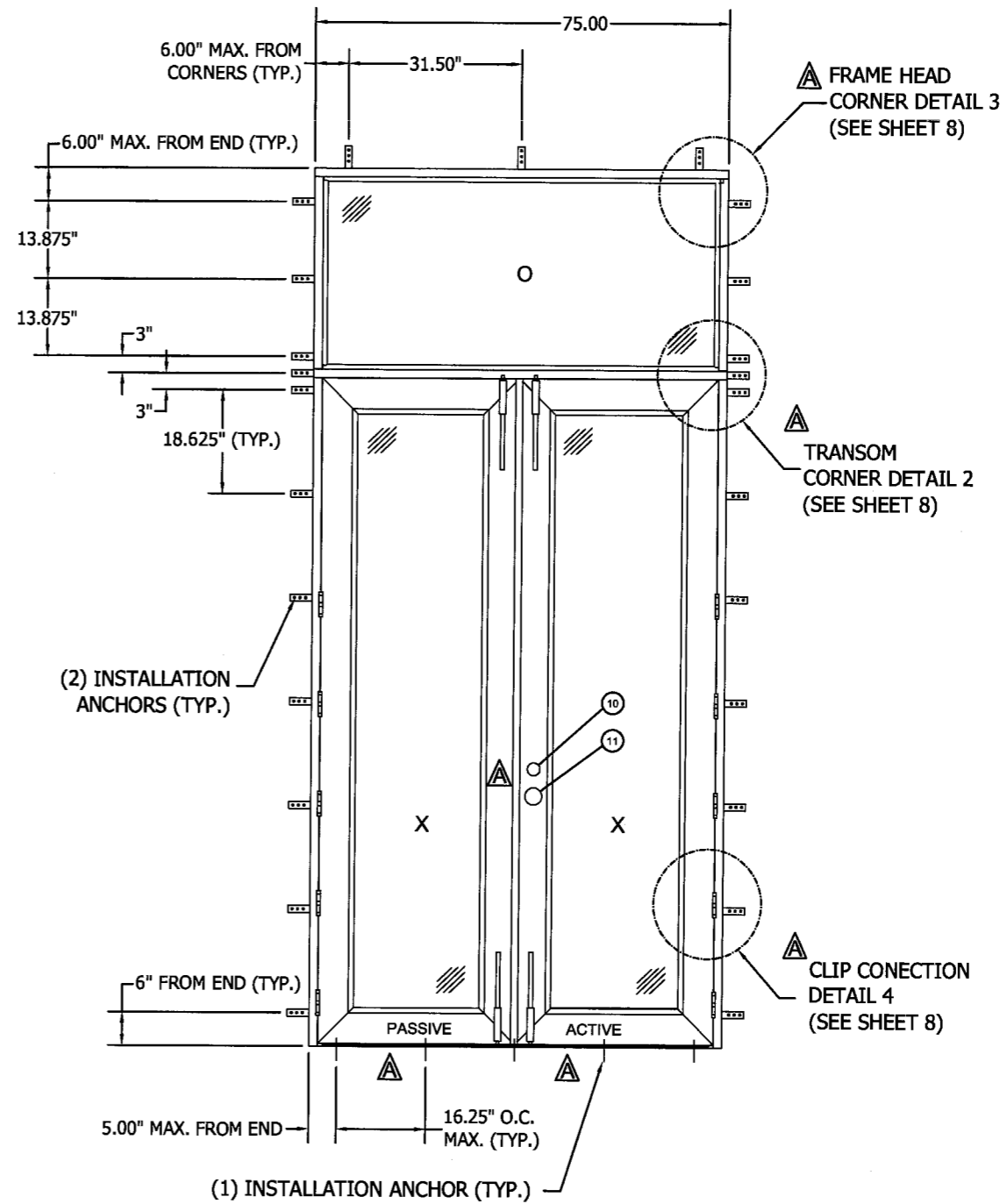
PROJECT # 307-0701
Paul E. Winter
Florida P.E. No. 22699

1535 Cogswell Street, Suite C25
Rockledge, Florida 32955
FBPE Certificate of Authorization No. 25935

Approved as complying with the
Florida Building Code
Date: **JUNE 10, 2009**
NOA# **08-0807-20**
Miami Dade Product Control
Division
By: *Manuel Perez*



ELEVATION
INTERIOR VIEW



ANCHOR LAYOUT
INTERIOR VIEW

WELDING SCHEDULE						
#	WELD DESCRIPTION	QTY	LENGTH (EACH)	WIRE DIAMETER	NORM	SYMBOL
1	45° WELD @ STILES	4	12.7125"	0.035"	REFER TO TABLE 1 ON SHEET 1	MITERED AND BUTT WELDED
2	45° WELD GLASS STOP	4	3"	0.035"	REFER TO TABLE 1 ON SHEET 1	MITERED AND BUTT WELDED
5	TRANSOM WELD	2	****	0.035"	REFER TO TABLE 1 ON SHEET 1	FILLET

**** VARIES FROM 5.25" TO 6.75"

NOTE:
HINGES SHOWN ARE THE MINIMUM REQUIRED. ADDITIONAL HINGES, IF DESIRED, MAY BE USED.

APPROVED BY:	DATE:	REV	DESCRIPTION
PAUL E. WINTER, P.E.	07/31/08	B	PER MIAMI-DADE 01-05-09
		A	PER MIAMI-DADE 9-25-08

CANTERA DOORS
3698 R.R. 620 SOUTH, STE 101
AUSTIN, TX 78738

TITLE: STEEL OUTSWING DOORS WITH & WITHOUT TRANSOMS
ELEVATION & ANCHOR LAYOUT

PREPARED BY: **PTC, LLC**
Phone 321.690.1788
Fax 321.690.1789

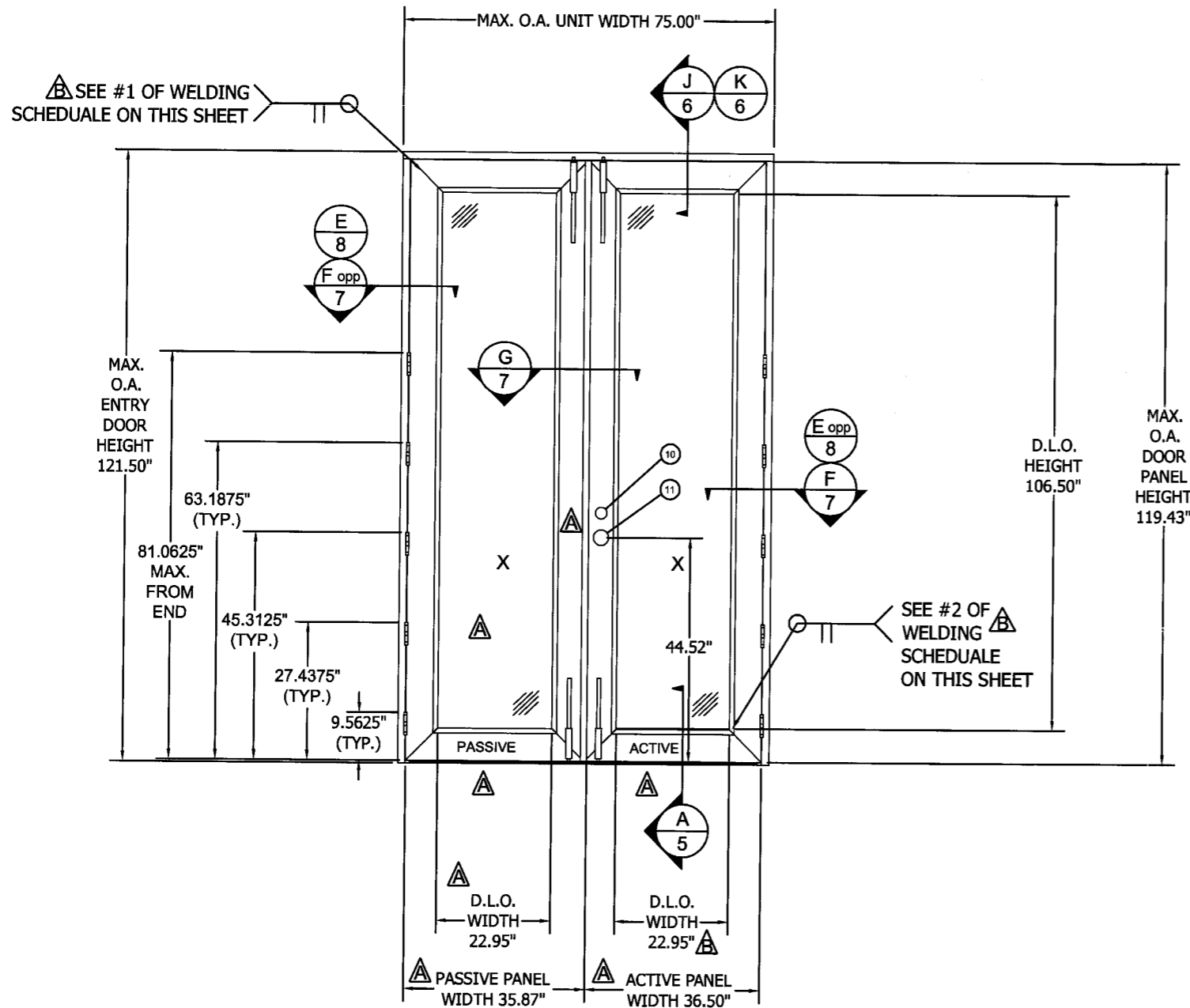
DATE: 07/31/08
DRAWING NO: CANT0002
SHEET: 2 OF 10

PROJECT # 307-0701
Paul E. Winter
Florida P.E. No. 22983

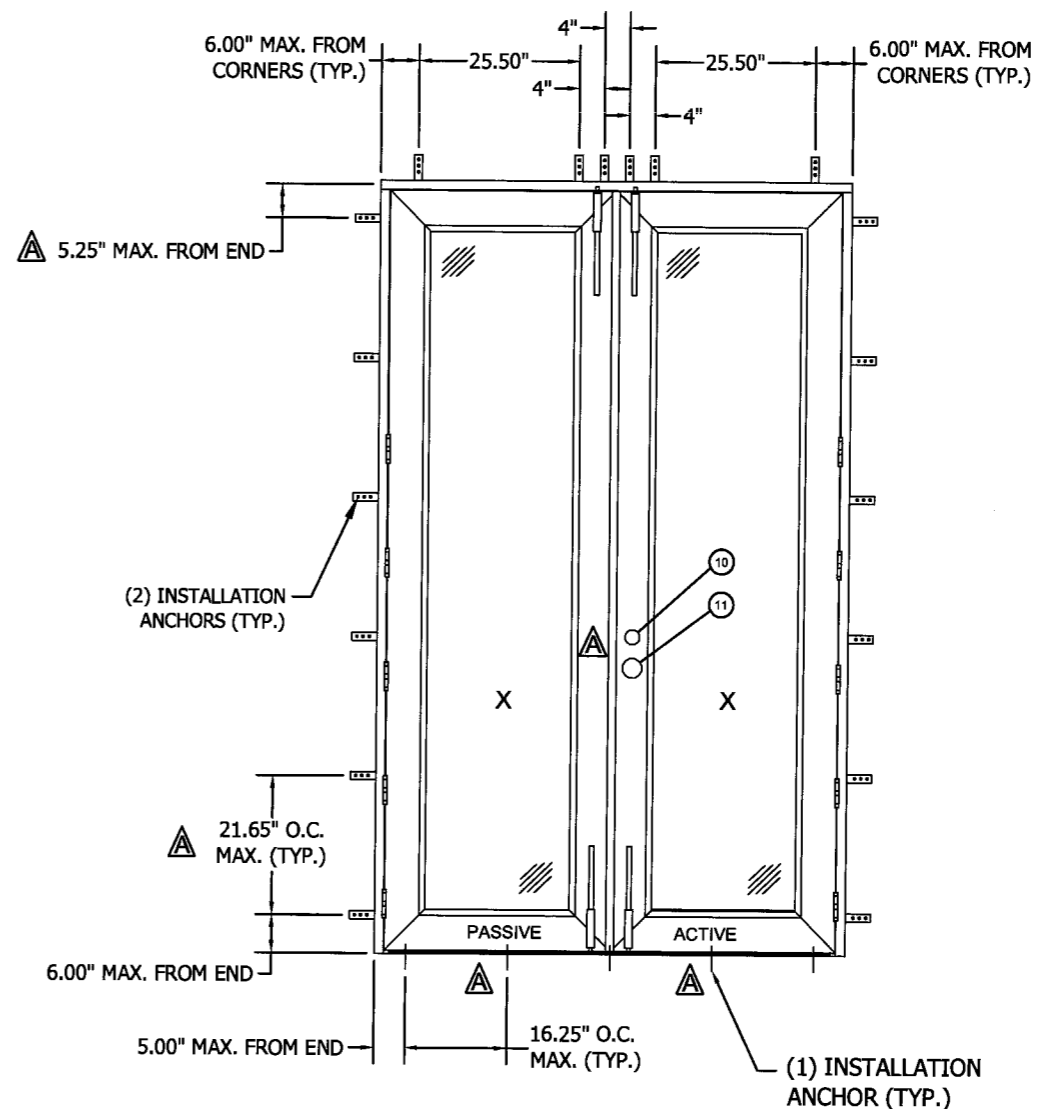
PTC, LLC
1535 Cogswell Street, Suite C-25
Rockledge, Florida 32955
FBPE Certificate of Authorization No. 26935

6/15/09

Approved as complying with the Florida Building Code
Date: JUNE 10, 2009
NO. # 08-0807-20
Miami Dade Product Control Division
By: *Manned Pray*



ELEVATION
INTERIOR VIEW



ANCHOR LAYOUT
INTERIOR VIEW

NOTE:
HINGES SHOWN ARE THE MINIMUM
REQUIRED. ADDITIONAL HINGES,
IF DESIRED, MAY BE USED.

WELDING SCHEDULE						
#	WELD DESCRIPTION	QTY	LENGTH (EACH)	WIRE DIAMETER	NORM	SYMBOL
1	45° WELD @ STILES	4	12.7125"	0.035"	REFER TO TABLE 1 ON SHEET 1	MITERED AND BUTT WELDED
2	45° WELD GLASS STOP	4	3"	0.035"	REFER TO TABLE 1 ON SHEET 1	MITERED AND BUTT WELDED

APPROVED BY:	DATE:	REV	DESCRIPTION	DATE	BY
PAUL E. WINTER, P.E.	07/31/08	B	PER MIAMI-DADE 01-05-09	02/05/09	BB
		A	PER MIAMI-DADE 9-25-08	12/15/08	SMC

CANTERA DOORS
3698 R.R. 620 SOUTH, STE 101
AUSTIN, TX 78738

TITLE: STEEL OUTSWINGING DOORS WITH & WITHOUT TRANSOMS
ELEVATION & ANCHOR LAYOUT

PREPARED BY: BB
DRAWN BY: BB
SCALE: N.T.S.
REV: B

DATE: 07/31/08
DRAWING NO: CANT0002
SHEET: 3 OF 10

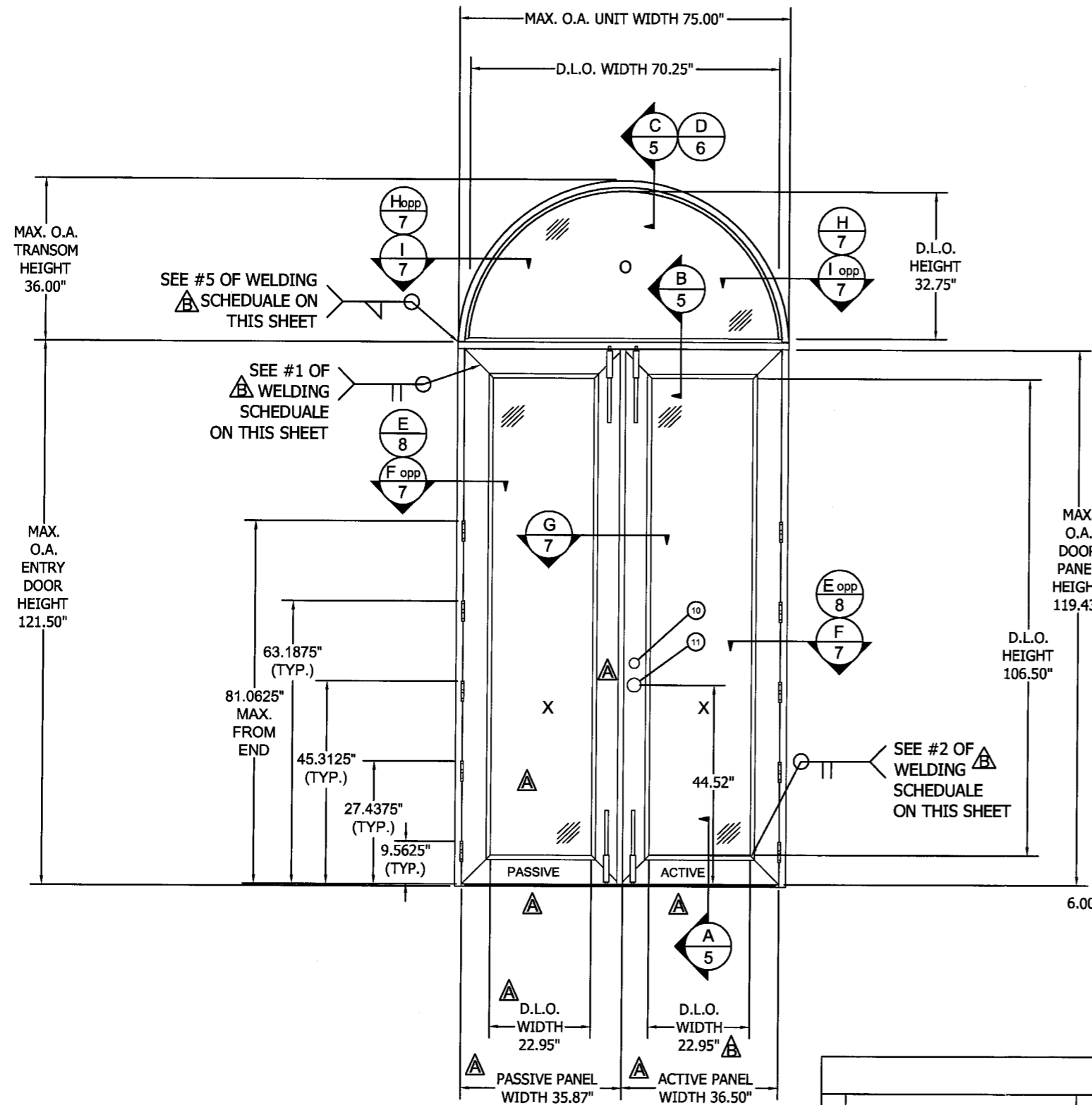
PTE
PTC, LLC
Phone 321.690.1788
Fax 321.690.1788

PROJECT # 307-0701
Paul E. Winter
Florida P.E. NO. 24633

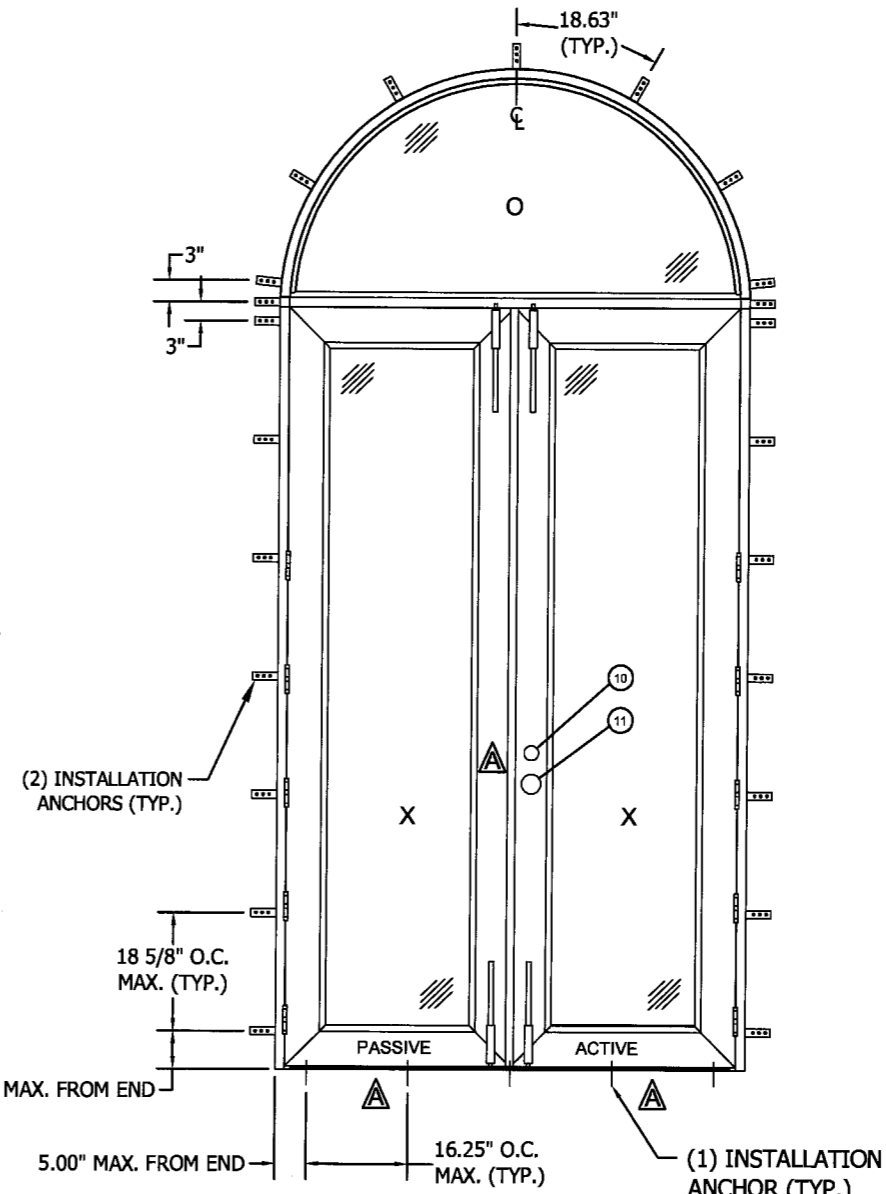
Paul E. Winter
07/15/09

PTC, LLC
1535 Cogswell Street, Suite C25
Rockledge, Florida 32955
FBPE Certificate of Authorization NO. 28935

Approved as complying with the
Florida Building Code
Date: JUNE 10, 2009
NO. # 08-0807-20
Miami Dade Product Control
Division
By: *Manuel Pesa*



ELEVATION
INTERIOR VIEW



ANCHOR LAYOUT
INTERIOR VIEW

WELDING SCHEDULE						
#	WELD DESCRIPTION	QTY	LENGTH (EACH)	WIRE DIAMETER	NORM	SYMBOL
1	45° WELD @ STILES	4	12.7125"	0.035"	REFER TO TABLE 1 ON SHEET 1	MITERED AND BUTT WELDED
2	45° WELD GLASS STOP	4	3"	0.035"	REFER TO TABLE 1 ON SHEET 1	MITERED AND BUTT WELDED
5	TRANSOM WELD	2	****	0.035"	REFER TO TABLE 1 ON SHEET 1	FILLET

**** VARIES FROM 5.25" TO 6.75"

NOTE:
HINGES SHOWN ARE THE MINIMUM REQUIRED. ADDITIONAL HINGES, IF DESIRED, MAY BE USED.

APPROVED BY:	DATE:	BY
PAUL E. WINTER, P.E.	07/31/08	BB
PER MIAMI-DADE	02/05/09	BB
01-05-09		
PER MIAMI-DADE	12/5/08	SMC
9-25-08		
REV	DESCRIPTION	DATE
A		
B		

CANTERA DOORS
3698 R.R. 620 SOUTH, STE 101
AUSTIN, TX 78738

TITLE: STEEL OUTSWING DOORS WITH & WITHOUT TRANSOMS
ELEVATION & ANCHOR LAYOUT

PREPARED BY: BB DATE: 07/31/08
SCALE: N.T.S. DRAWING NO: CANT0002
REV: B SHEET: 4 OF 10

PFC
PFC, LLC
Phone 321.690.1788
Fax 321.690.1789

PROJECT # 307-0701
Paul E. Winter
Florida P.E. No. 220683

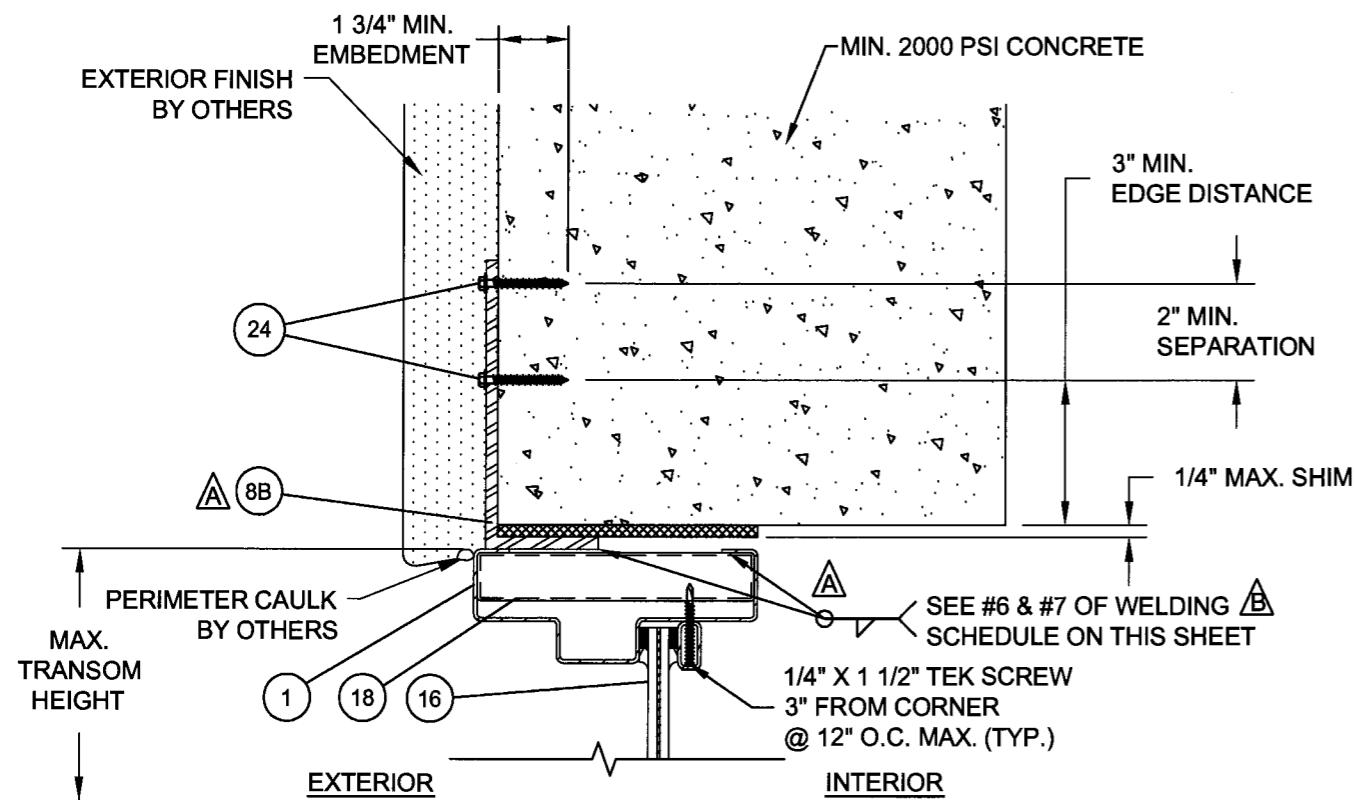
[Signature]
3/15/09

PFC, LLC
1535 Cogswell Street, Suite C25
Rockledge, Florida 32955
FBPE Certificate of Authorization NO. 25935

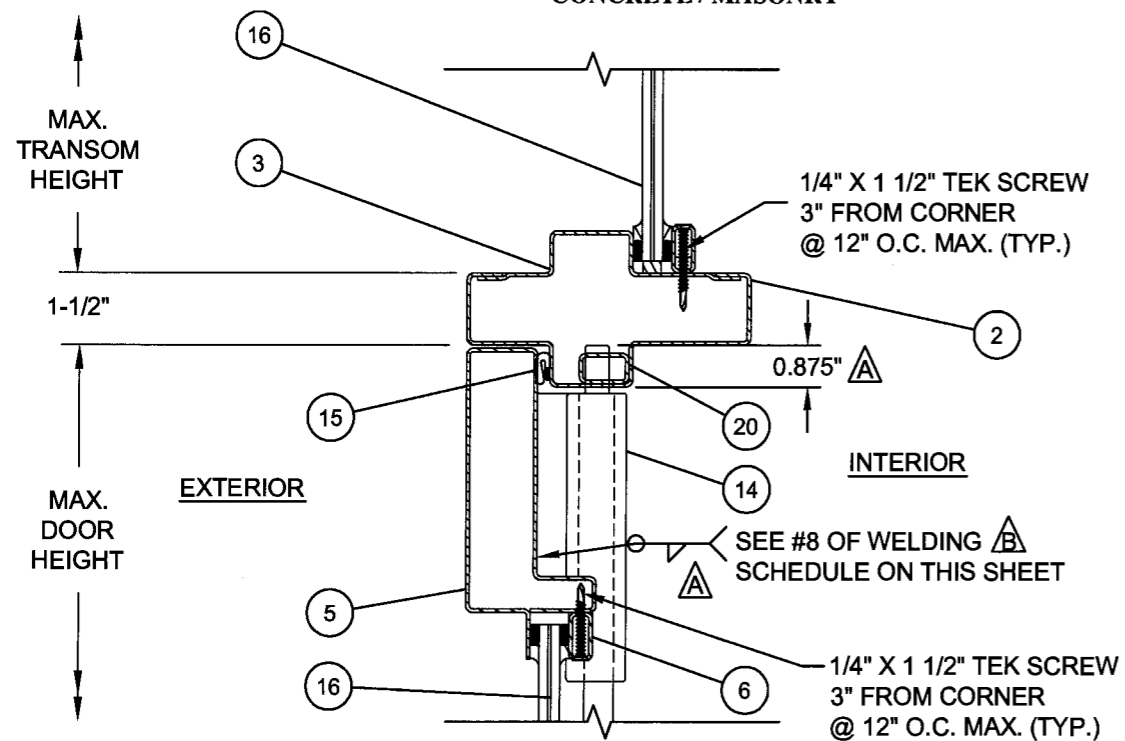
Approved as complying with the
Florida Building Code
Date: JUNE 10, 2009
NO. # 08-0807-20
Miami Dade Product Control
Division
By: *[Signature]*

WELDING SCHEDULE						
#	WELD DESCRIPTION	QTY	LENGTH (EACH)	WIRE DIAMETER	NORM	SYMBOL
6	L BRACKET TO FRAME	***	*****	0.035"	REFER TO TABLE 1 ON SHEET 1	FILLET
7	STIFFENER TO FRAME	***	1.250"	0.035"	REFER TO TABLE 1 ON SHEET 1	FILLET
8	SURFACE MOUNTED BOLT TO DOOR PANEL	2	*****	0.035"	REFER TO TABLE 1 ON SHEET 1	FILLET

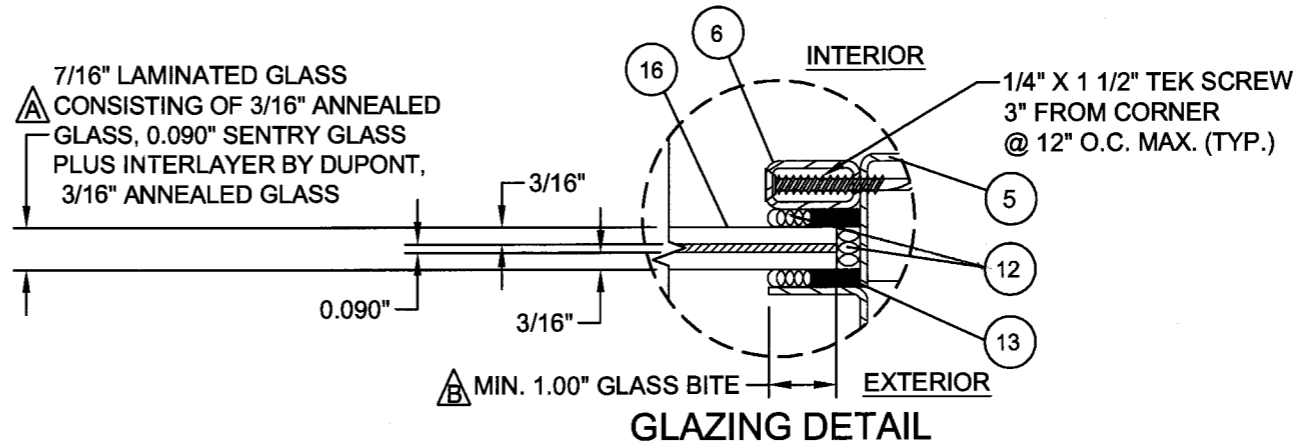
*** DEPENDS ON NO. OF "L" BRACKETS
***** ALL AROUND THE PERIMETER



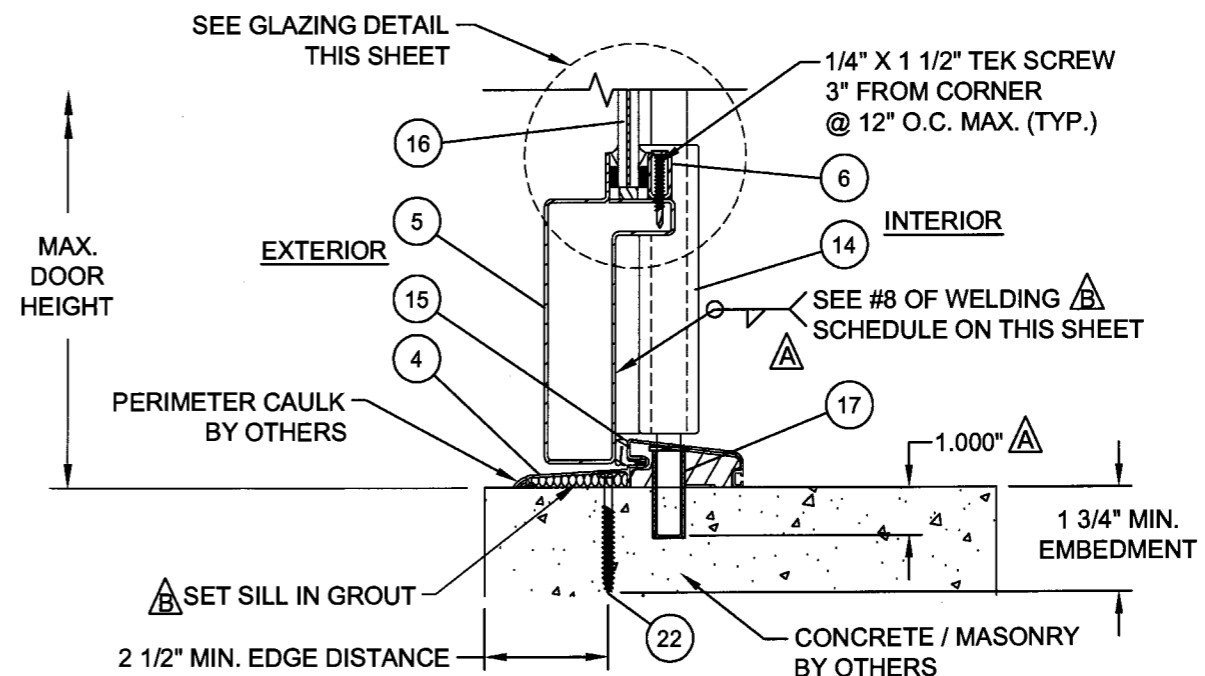
C
5
VERTICAL SECTION
TRANSOM
CONCRETE / MASONRY



B
5
VERTICAL SECTION
DOOR AT TRANSOM



GLAZING DETAIL



A
5
VERTICAL SECTION
DOOR AT SILL
CONCRETE / MASONRY

APPROVED BY: PAUL E. WINTER, P.E.	DATE: 07/31/08
PER MIAMI-DADE 01-05-09	BB
PER MIAMI-DADE 9-25-08	SMC
DESCRIPTION	DATE
REV	BY

CANTERA DOORS
3698 R.R. 620 SOUTH, STE 101
AUSTIN, TX 78738

TITLE: STEEL OUTSWING DOORS WITH & WITHOUT TRANSOMS VERTICAL SECTIONS AND GLAZING DETAIL

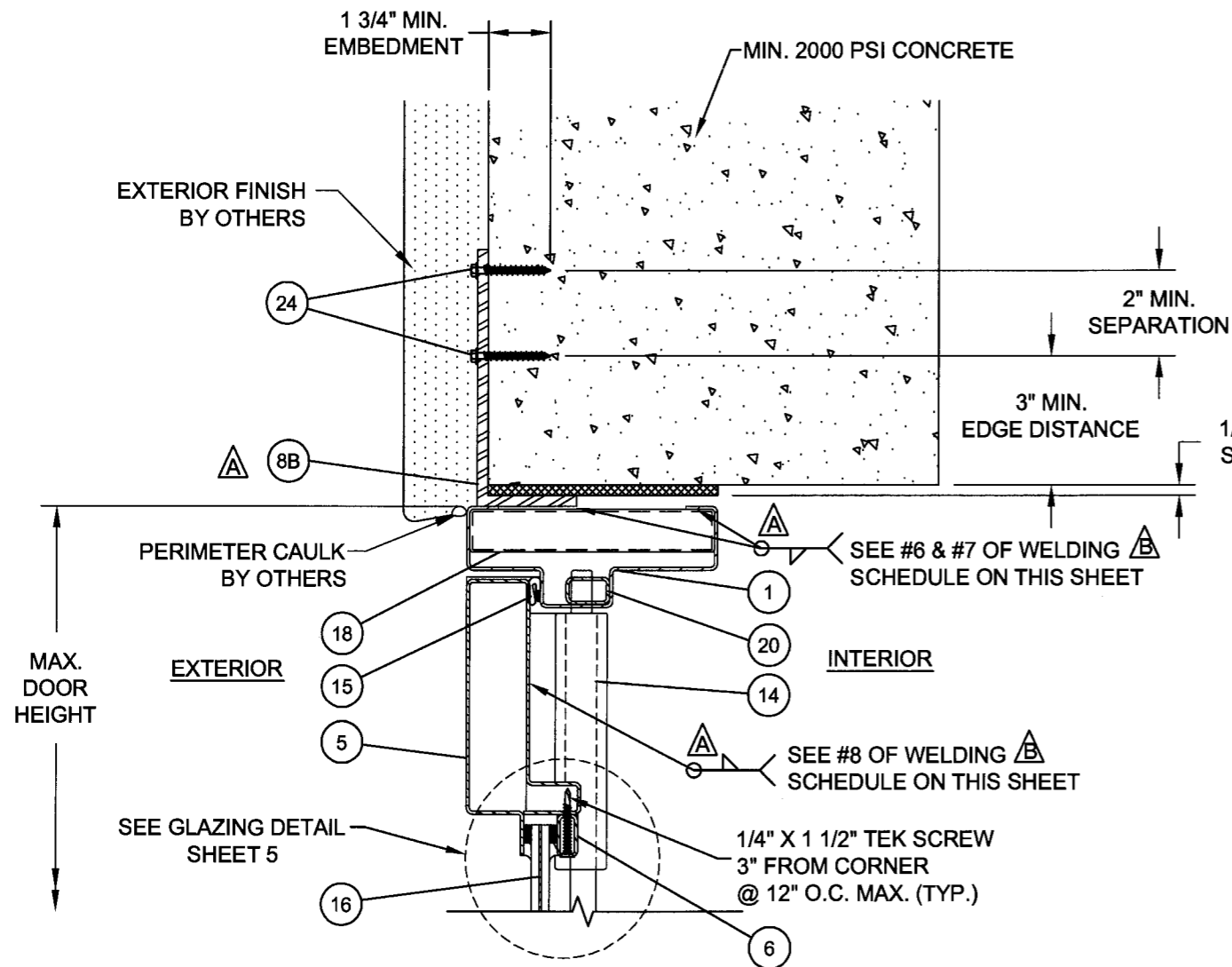
PREPARED BY: PTC, LLC
Phone 321.690.1788
Fax 321.690.1789

DATE: 07/31/08
DRAWING NO.: CANT0002
SCALE: N.T.S.
SHEET: 5 OF 10

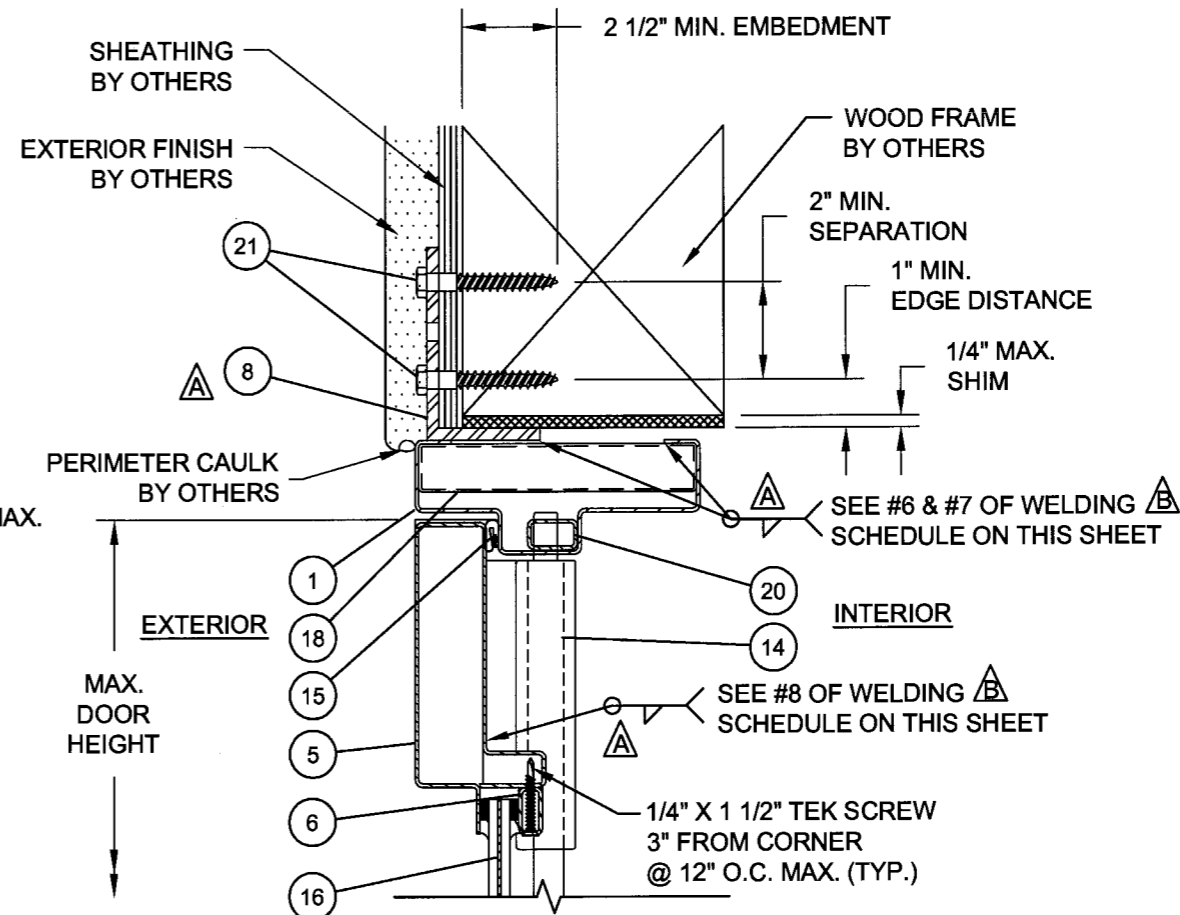
PROJECT #: 307-0701
Paul E. Winter
Florida P.E. No. 22699

PTC, LLC
1535 Cogswell Street, Suite C25
Rockledge, Florida 32955
FBPE Certificate of Authorization No. 25935

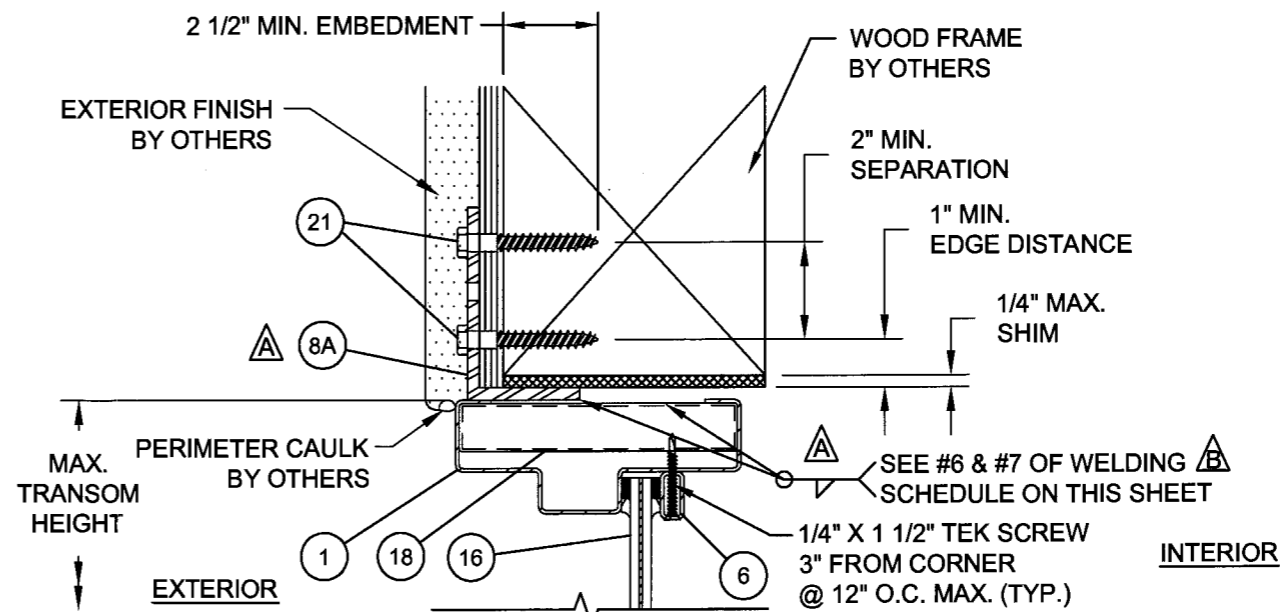
Approved as complying with the Florida Building Code
Date JUNE 10 2009
NOA# 08-0857-20
Miami Dade Product Control
Division
By Manuel Perez



J VERTICAL SECTION
6 DOOR AT HEAD
 STANDARD CLIP FOR CONCRETE / MASONRY



K VERTICAL SECTION
6 DOOR AT HEAD
 STANDARD CLIP FOR 2X WOOD FRAME



D VERTICAL SECTION AT TRANSOM
6 TRANSOM
 OPTIONAL CLIP 2X WOOD FRAME

WELDING SCHEDULE

#	WELD DESCRIPTION	QTY	LENGTH (EACH)	WIRE DIAMETER	NORM	SYMBOL
6	L BRACKET TO FRAME	***	*****	0.035"	REFER TO TABLE 1 ON SHEET 1	FILLET
7	STIFFENER TO FRAME	***	1.250"	0.035"	REFER TO TABLE 1 ON SHEET 1	FILLET
8	SURFACE MOUNTED BOLT TO DOOR PANEL	2	*****	0.035"	REFER TO TABLE 1 ON SHEET 1	FILLET

*** DEPENDS ON NO. OF "L" BRACKETS
 ***** ALL AROUND THE PERIMETER

APPROVED BY:	DATE:
PAUL E. WINTER, P.E.	07/31/08
PER MIAMI-DADE 01-05-09	BB
PER MIAMI-DADE 9-25-08	SMC
DESCRIPTION	DATE
REV	BY

CANTERA DOORS
 3698 R.R. 620 SOUTH, STE 101
 AUSTIN, TX 78738

TITLE: STEEL OUTSWING DOORS WITH & WITHOUT TRANSOMS VERTICAL SECTIONS

DATE: 07/31/08
 DRAWN BY: BB
 SCALE: N.T.S.
 DRAWING NO: CANT0002
 SHEET: 6 OF 10

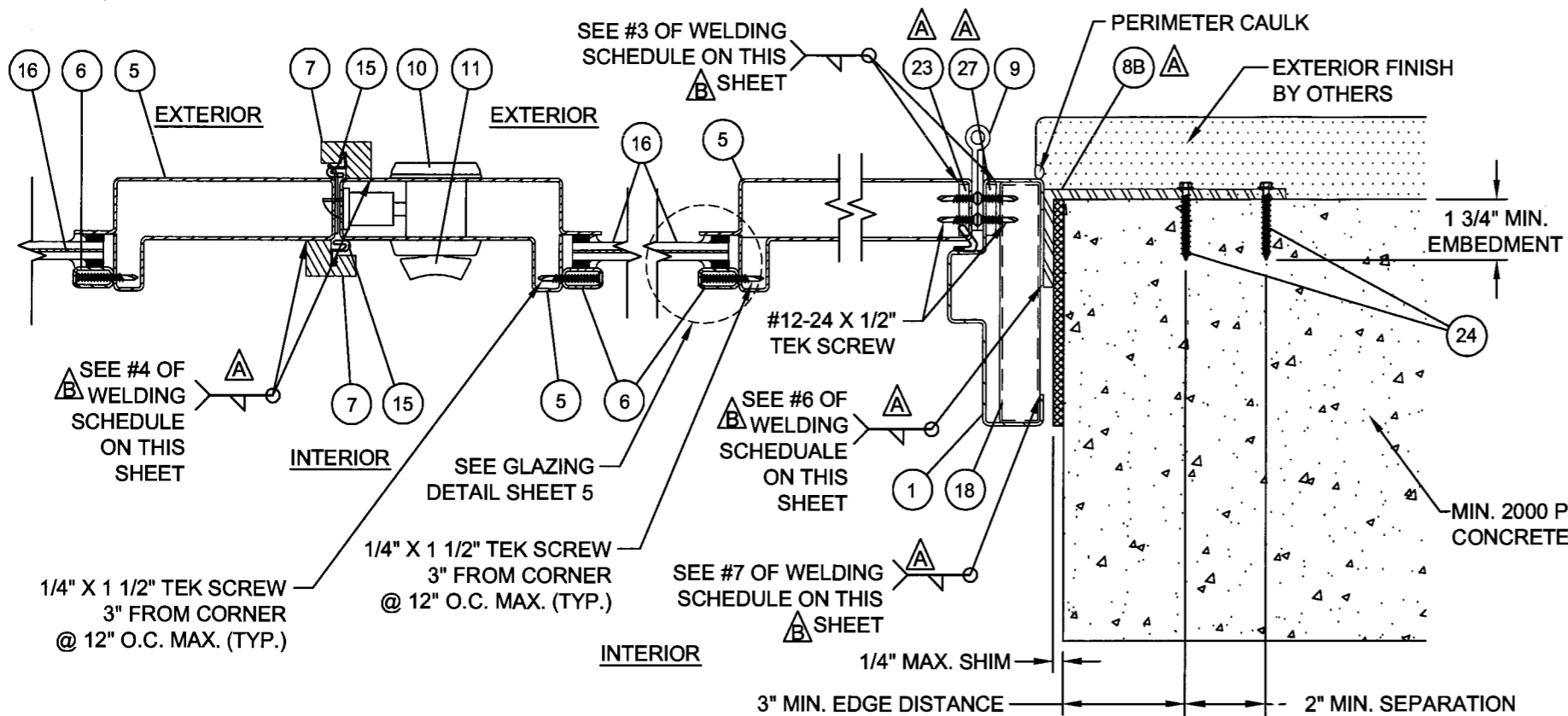
PREPARED BY: **PTE**
 PTC, LLC
 Phone 321.690.1788
 Fax 321.690.1789

PROJECT # 307-0701
 Paul E. Winter
 Florida P.E. No. 22693

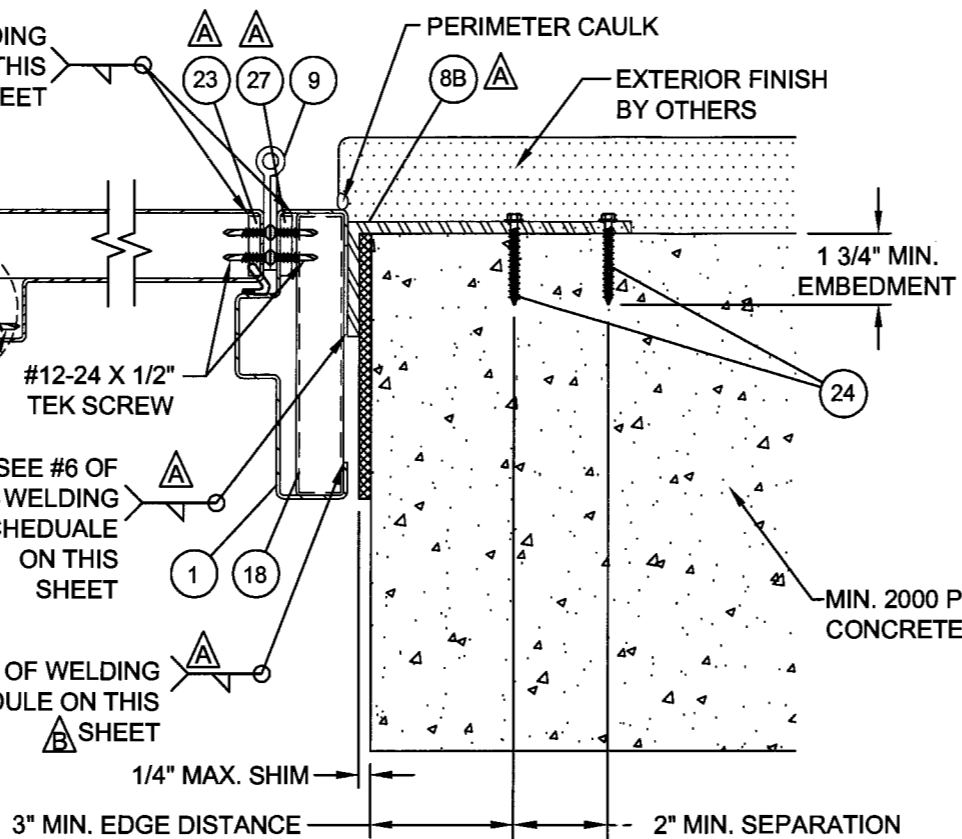
PTC, LLC
 1535 Cogswell Street, Suite C25
 Rockledge, Florida 32955
 FBPE Certificate of Authorization NO. 25935

3/15/09

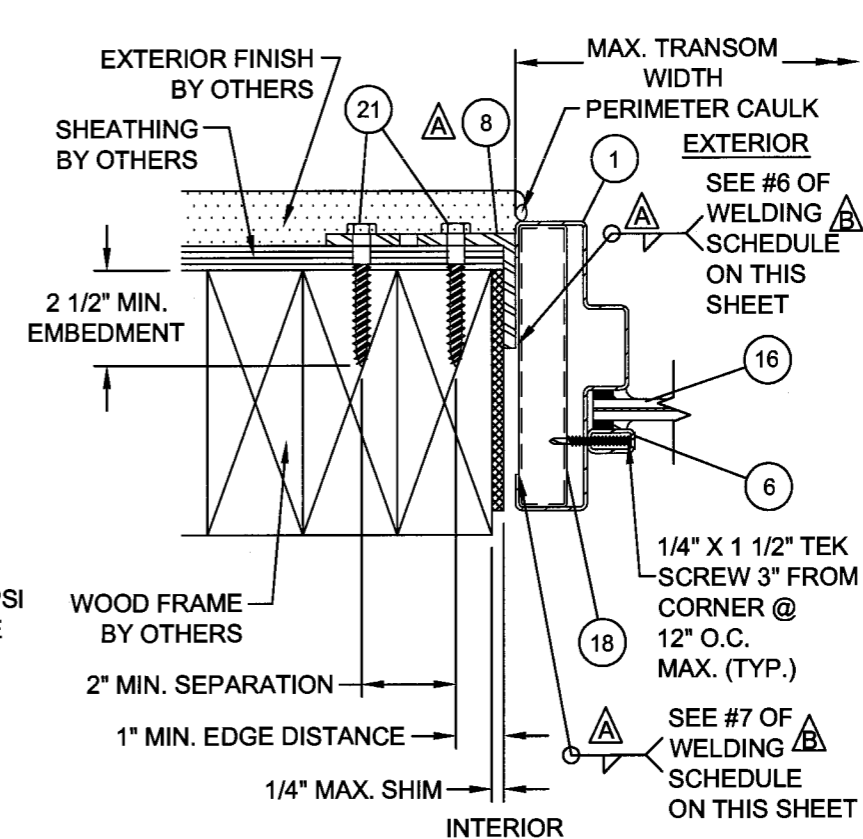
Approved as per drawing with the Florida Building Code
 Date: JUNE 10, 2009
 NOA# 08-0807-20
 Miami Dade Product Control Division
 By: *Marcus Perez*



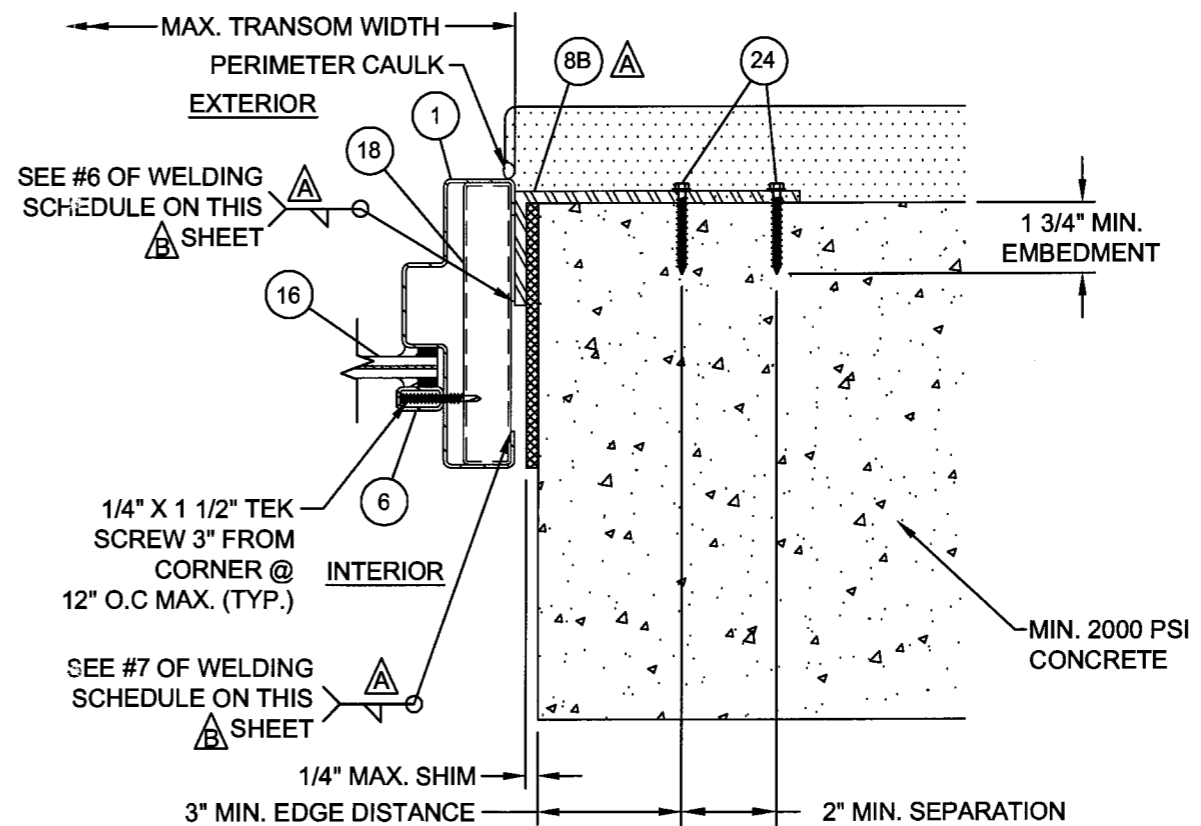
G HORIZONTAL SECTION
7 DOOR AT ASTRAGAL



F HORIZONTAL SECTION
7 DOOR AT HINGE JAMB
STANDARD CLIP FOR CONCRETE / MASONRY



I HORIZONTAL SECTION
7 TRANSOM JAMB
STANDARD CLIP FOR 2X WOOD FRAME



H HORIZONTAL SECTION
7 TRANSOM JAMB
STANDARD CLIP FOR CONCRETE / MASONRY

WELDING SCHEDULE						
#	WELD DESCRIPTION	QTY	LENGTH (EACH)	WIRE DIAMETER	NORM	SYMBOL
3	HINGE REINFORCEMENT TO STILE	*	4.5"	0.035"	REFER TO TABLE 1 ON SHEET 1	FILLET
4	ASTRAGAL TO STILE	**	0.375"	0.035"	REFER TO TABLE 1 ON SHEET 1	FILLET
6	L BRACKET TO FRAME	***	*****	0.035"	REFER TO TABLE 1 ON SHEET 1	FILLET
7	STIFFENER TO FRAME	***	1.250"	0.035"	REFER TO TABLE 1 ON SHEET 1	FILLET

* DEPENDS ON NO. OF HINGES
 ** APPLIED IN ALL THE ASTRAGAL STARTING 12" FROM THE TOP & ENDING 12" FROM THE BOTTOM
 *** DEPENDS ON NO. OF "L" BRACKETS
 ***** ALL AROUND THE PERIMETER

APPROVED BY: PAUL E. WINTER, P.E.	DATE: 07/31/08	BB	SMC	BY
PER MIAMI-DADE 01-05-09	02/05/09	BB	SMC	DATE
PER MIAMI-DADE 9-25-08	12/5/08	A	SMC	DATE
DESCRIPTION	REV	A	SMC	DATE

CANTERA DOORS
 3698 R.R. 620 SOUTH, STE 101
 AUSTIN, TX 78738

TITLE: STEEL OUTSWING DOORS WITH & WITHOUT TRANSOMS HORIZONTAL SECTIONS

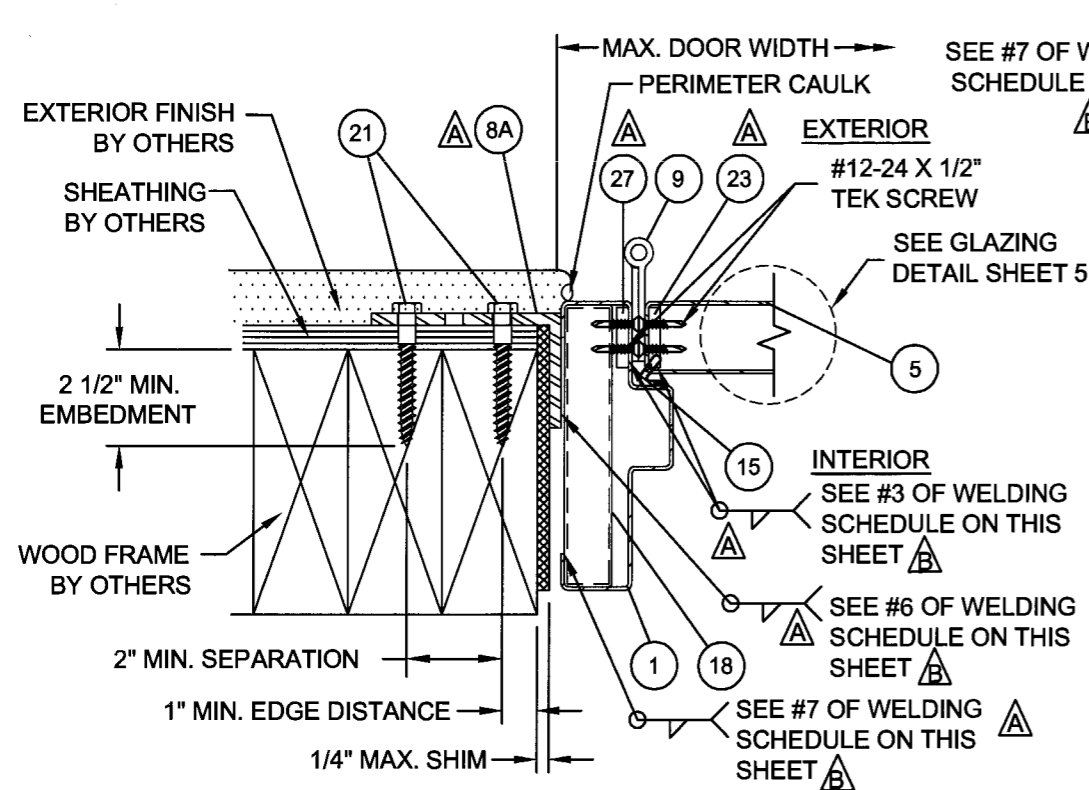
DATE: 07/31/08
 DRAWING NO: CANTO002
 SHEET: 7 OF 10

PREPARED BY: PTC, LLC
 Phone: 321.690.1788
 Fax: 321.690.1789

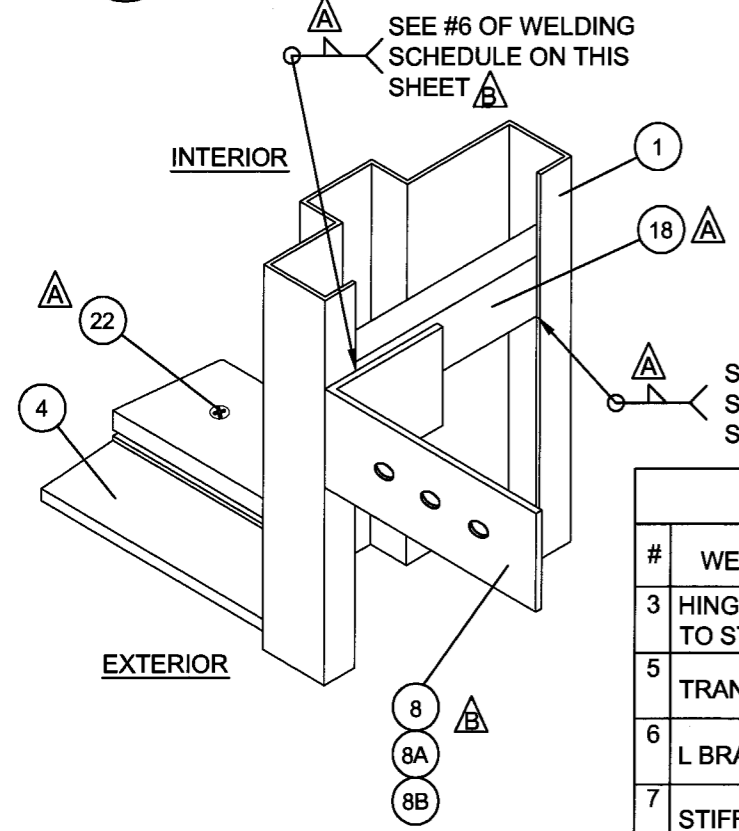
PROJECT # 307-0701
 Paul E. Winter
 Florida P.E. No. 22693

PTC, LLC
 1535 Cogswell Street, Suite C2's
 Rockledge, Florida 32955
 FBPE Certificate of Authorization I.D. 25935

Approved as complying with the Florida Building Code
 Date: JUNE 10, 2009
 NOA: 08-0807-20
 Miami Dade Product Control Division
 By: *Manuel Puz*



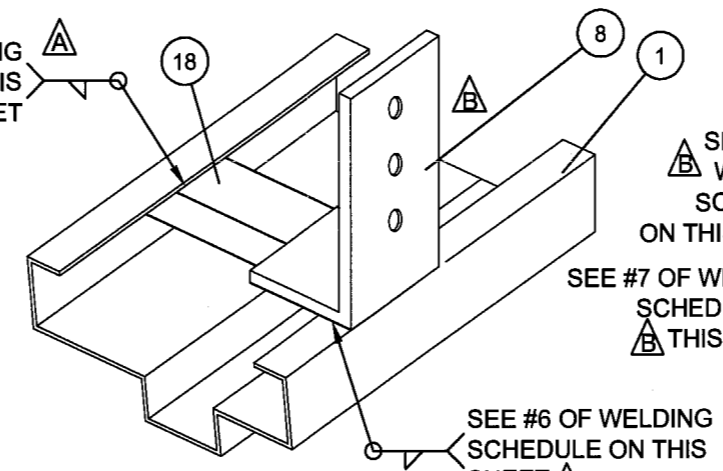
8 **HORIZONTAL SECTION**
2X WOOD FRAME SUBSTRATE



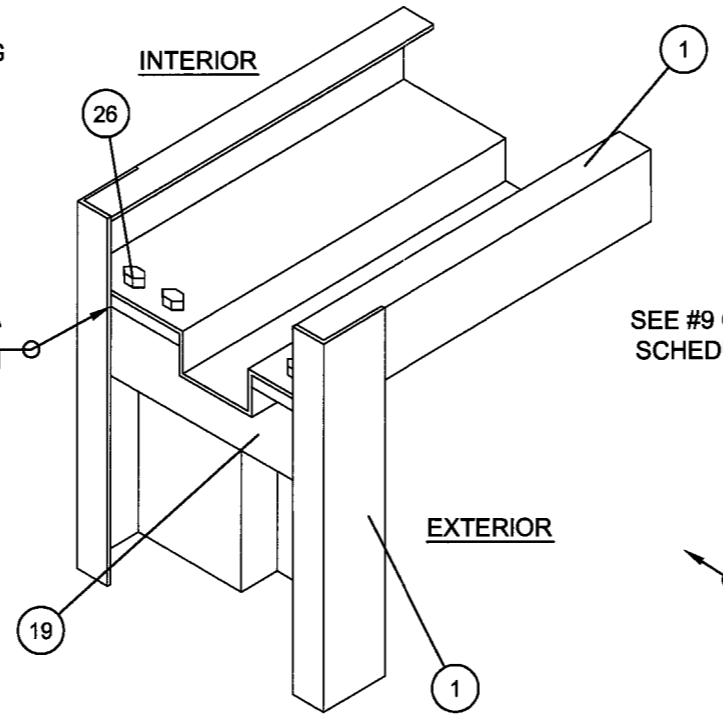
SILL CORNER DETAIL 1

WELDING SCHEDULE						
#	WELD DESCRIPTION	QTY	LENGTH (EACH)	WIRE DIAMETER	NORM	SYMBOL
3	HINGE REINFORCEMENT TO STILE	*	4.5"	0.035"	REFER TO TABLE 1 ON SHEET 1	FILLET
5	TRANSOM WELD	2	****	0.035"	REFER TO TABLE 1 ON SHEET 1	FILLET
6	L BRACKET TO FRAME	***	*****	0.035"	REFER TO TABLE 1 ON SHEET 1	FILLET
7	STIFFENER TO FRAME	***	1.250"	0.035"	REFER TO TABLE 1 ON SHEET 1	FILLET
9	ANGLED STEEL REINFORCEMENT PLATE	2	*****	0.035"	REFER TO TABLE 1 ON SHEET 1	FILLET

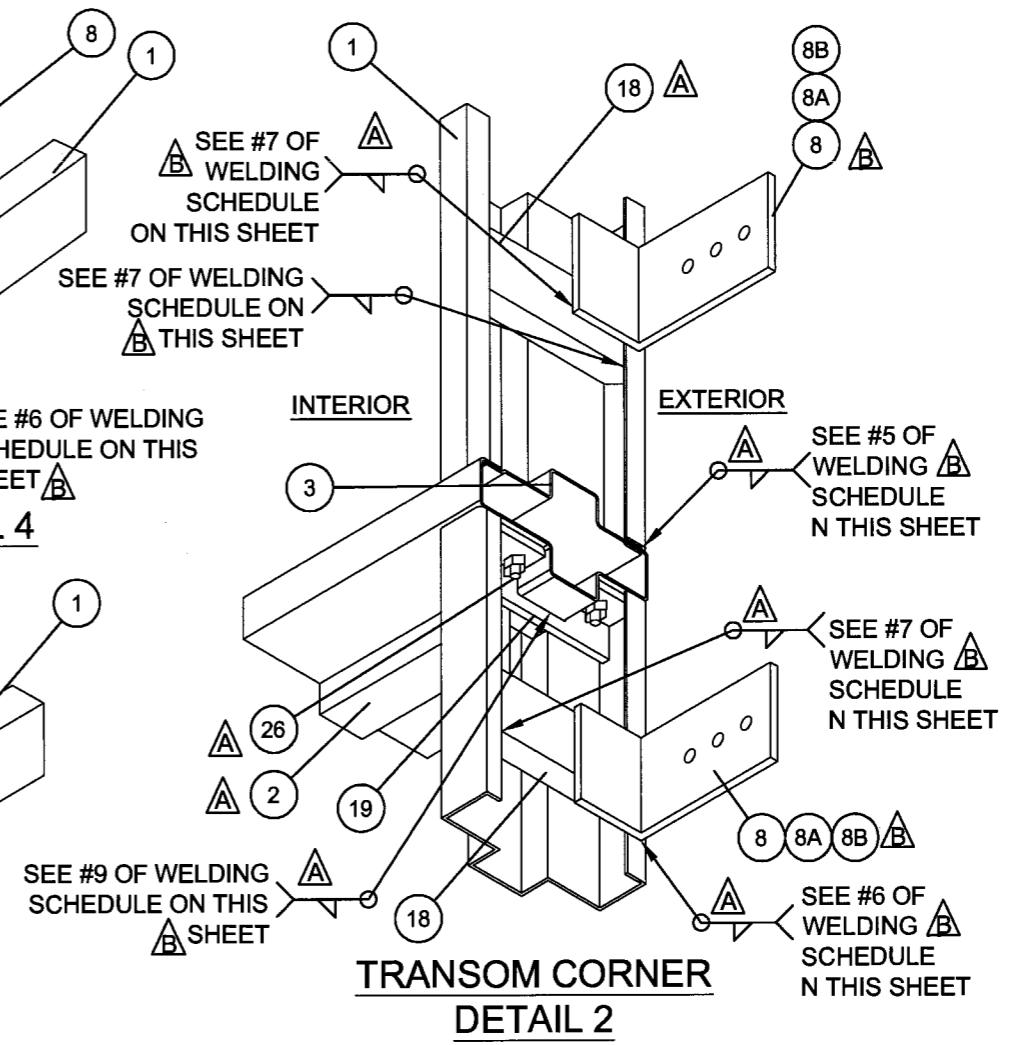
* DEPENDS ON NO. OF HINGES
 *** DEPENDS ON NO. OF "L" BRACKETS
 **** VARIES FROM 5.25" TO 6.75"
 ***** ALL AROUND THE PERIMETER



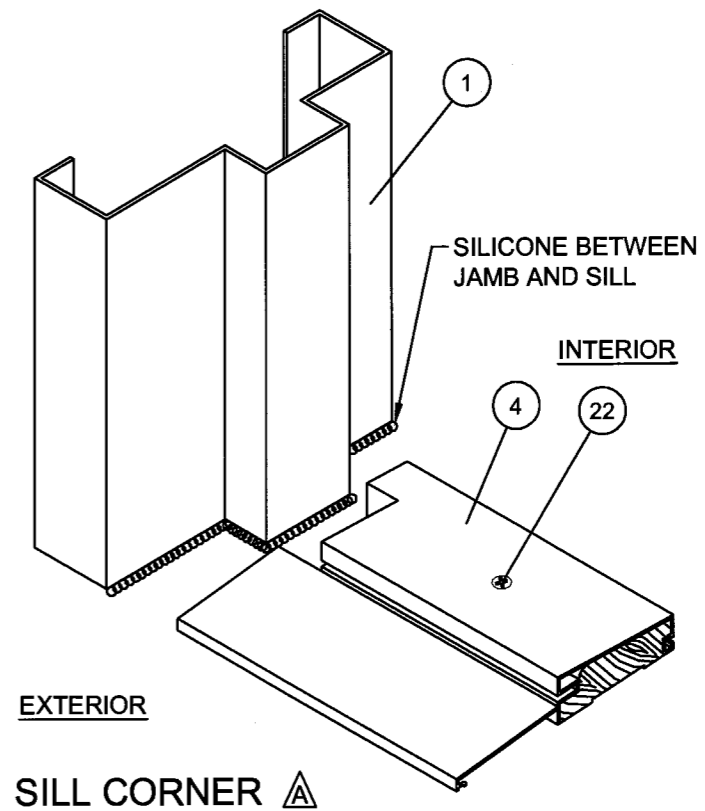
CLIP CONNECTION DETAIL 4



FRAME HEAD CORNER DETAIL 3



TRANSOM CORNER DETAIL 2



SILL CORNER DETAIL 5

APPROVED BY: PAUL E. WINTER, P.E. DATE: 07/31/08

BB	02/05/09	SMC	BY
B	PER MIAMI-DADE 01-05-09	A	DATE
A	PER MIAMI-DADE 9-25-08	REV	DESCRIPTION

CANTERA DOORS
 3698 R.R. 620 SOUTH, STE 101
 AUSTIN, TX 78738

DATE: 07/31/08
 DRAWING NO.: CANT0002
 SHEET: 8 OF 10

SCALE: N.T.S.
 REV: B

PREPARED BY: PTC, LLC
 Phone 321.690.1788
 Fax 321.690.1789

TITLE: STEEL OUTSWING DOORS WITH & WITHOUT TRANSOMS
 HORIZONTAL SECTION AND CORNER DETAILS

PROJECT # 307-0701
 Paul E. Winter
 Florida P.E. No. 22693

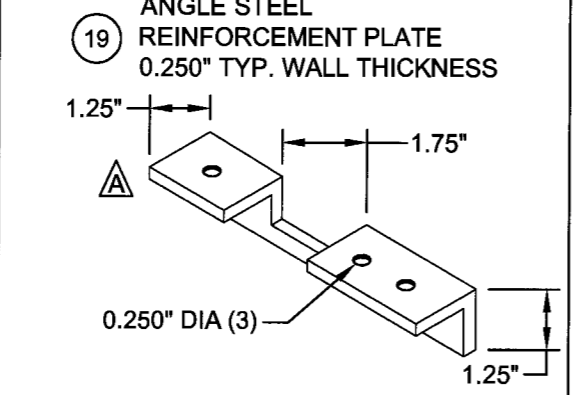
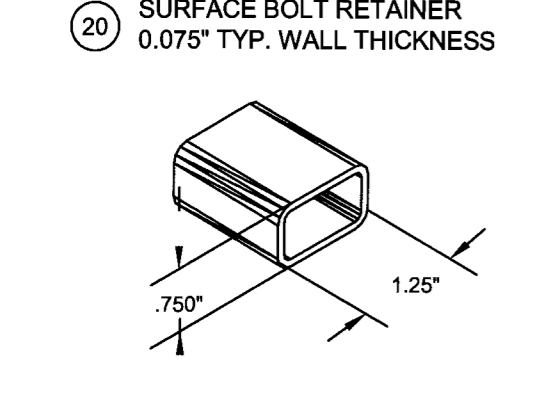
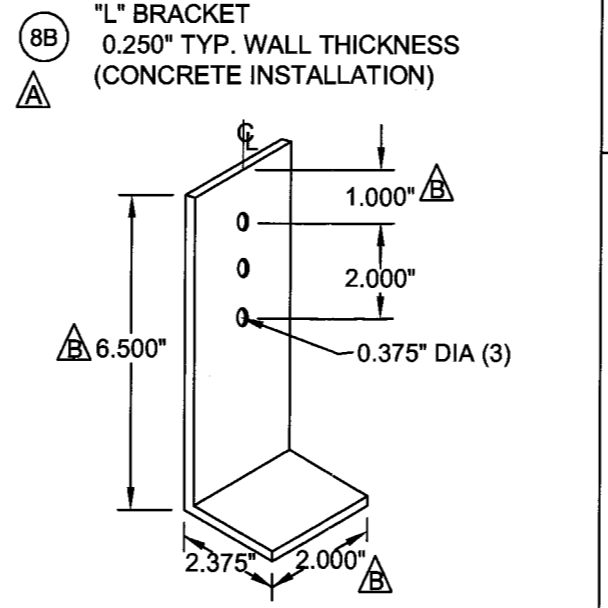
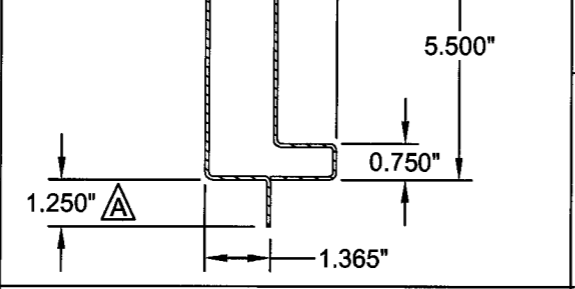
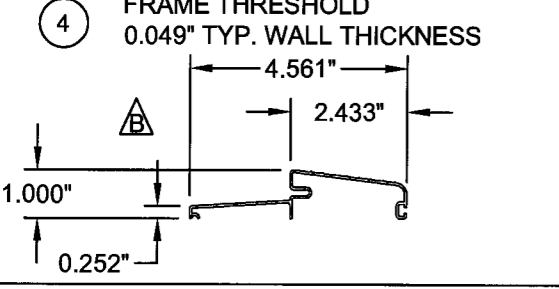
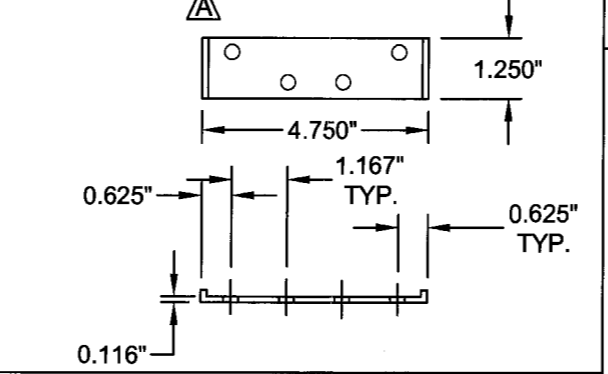
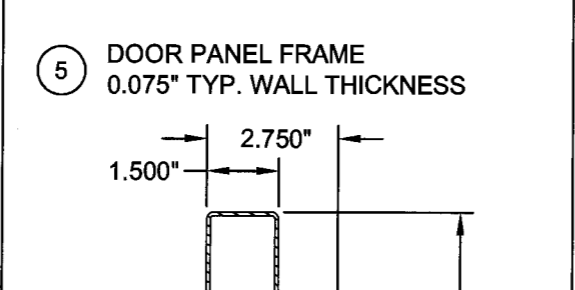
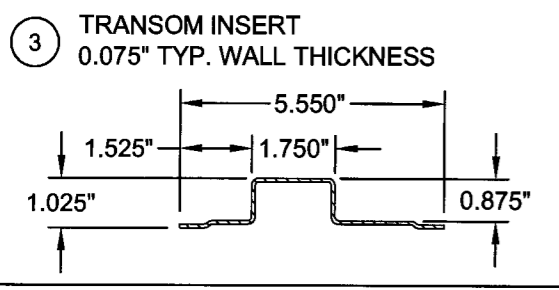
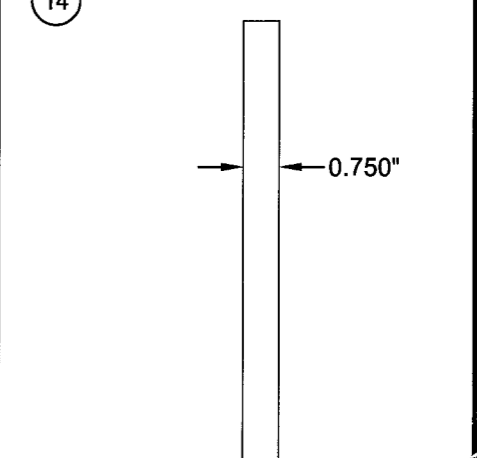
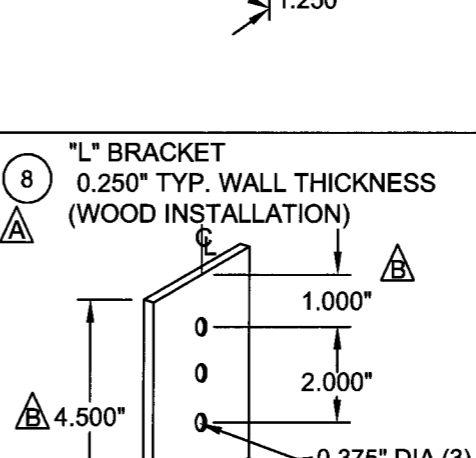
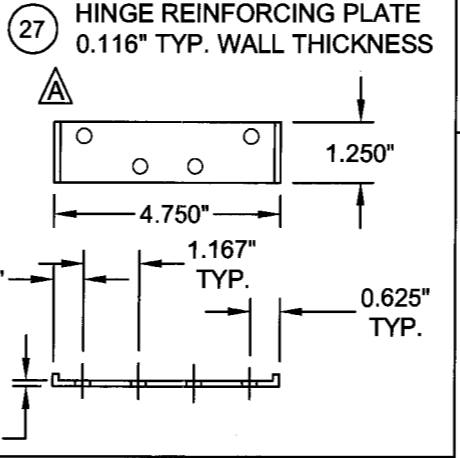
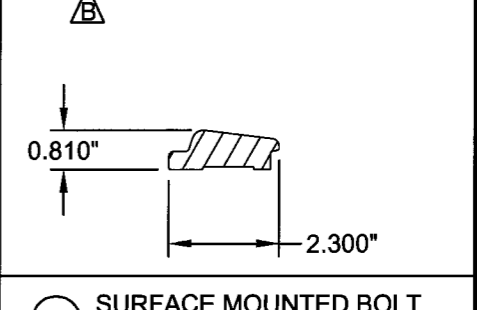
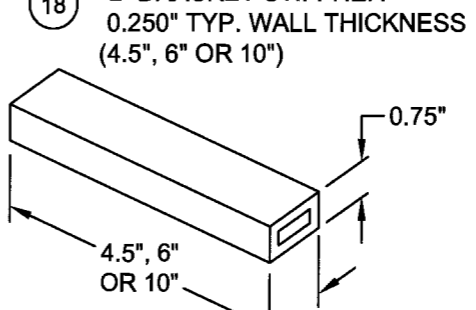
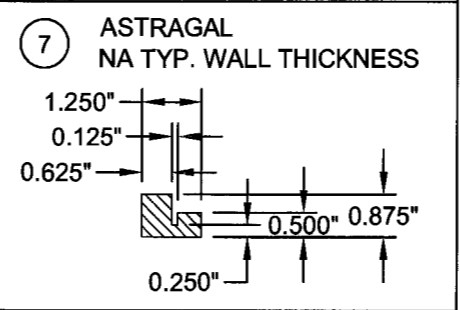
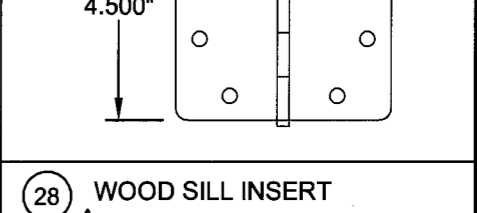
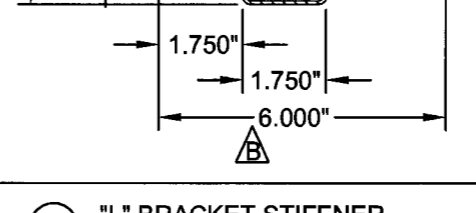
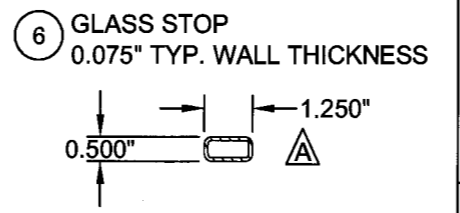
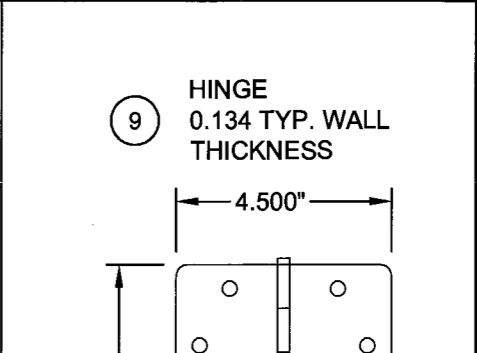
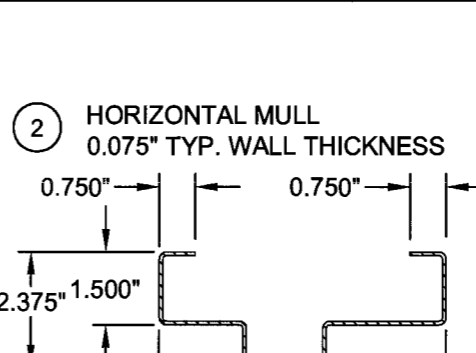
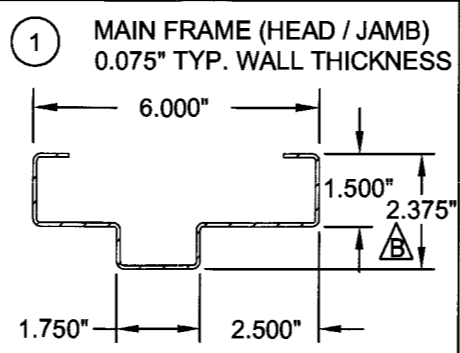
PTC, LLC
 1535 Cogswell Street, Suite C25
 Rockledge, Florida 32955
 FBPE Certificate of Authorization NO. 25935

07/31/09

Approved as complying with the Florida Building Code
 Date: JUNE 10, 2009
 NOA# 08-0807-20
 Miami Dade Product Control Division
 By: *Manuel Perez*

BILL OF MATERIALS

ITEM #	PART #	DESCRIPTION	MATERIAL	VENDOR
1	M600E	FRAME HEAD/ JAMB	STEEL (14 GA.)	CANTERA
2	M600E	HORIZONTAL MULL	STEEL (14 GA.)	CANTERA
3	T600	TRANSOM INSERT	STEEL (14 GA.)	CANTERA
4	FOBS4565	FRAME THRESHOLD	ALUMINUM 6063-T6	ENDURA
5	B550	DOOR PANEL FRAME	STEEL (14 GA.)	CANTERA
6	PV100	GLASS STOP	STEEL (14 GA.)	CANTERA
7	TJ125	ASTRAGAL	STEEL 1010 MODIFIED	CANTERA
8	AN400	"L" BRACKET (2.375" X 4" X 0.750" X 0.250")	STEEL 1010 MODIFIED	CANTERA
8 A	----	"L" BRACKET (2.375" X 4" X 4" X 0.250")	STEEL 1010 MODIFIED	CANTERA
8 B	----	"L" BRACKET (2.375" X 6" X 0.750" X 0.250")	STEEL 1010 MODIFIED	CANTERA
9	BB1279	BALL BEARING HINGE	BRASS	HAGER
10	8231	DEAD BOLT	STEEL	BALDWIN
11	8231	DOOR HANDLE	STEEL	BALDWIN
12	995	SILICONE SEALANT	SILICONE	DOW CORNING
13	V-998 1/4"	ADHESIVE GLAZING TAPE	----	NORTON
14	SB600	SURFACE MOUNTED BOLT	STEEL	CANTERA
15	QDST 675	Q-LON WEATHERSTRIPPING	FOAM PVC	SCHLEGEL
16	SGP	7/16" LAMINATED ANNEALED GLASS	GLASS	CARDINAL
17	ST750	SURFACE BOLT THIMBLE	STEEL 1010 MODIFIED	CANTERA
18	R600E	"L" BRACKET STIFFNER	STEEL 1010 MODIFIED	CANTERA
19	PL600E	ANGLED STEEL REINFORCEMENT PLATE	STEEL 1010 MODIFIED	CANTERA
20	RS600E	SURFACE BOLT RETAINER	STEEL	CANTERA
21	----	3/8" LAG SCREW	STEEL	----
22	----	1/4" TAPCON	STEEL	ITW
23	----	HINGE STILE REINFORCEMENT PLATE	STEEL 1010 MODIFIED	CANTERA
24	----	3/8" POWERS TAPPER	STEEL	POWERS
25	RTSBKSD	SURFACE BOLT KEEPER FOR SINGLE RADIUS TOP DOORS (NOT SHOWN)	STEEL	CANTERA
26	----	1/4" - 20 X .500" BOLT & NUT	STEEL	----
27	----	HINGE REINFORCING PLATE	STEEL 1010 MODIFIED	CANTERA
28	----	SILL INSERT	WOOD COMPOSITE	ENDURA



APPROVED BY: PAUL E. WINTER, P.E. DATE: 07/31/08

BB	02/05/09	SMC	12/5/08
B	PER MIAMI-DADE 01-05-09	A	PER MIAMI-DADE 9-25-08
REV	DESCRIPTION	DATE	

CANTERA DOORS
3698 R.R. 620 SOUTH, STE 101
AUSTIN, TX 78738

TITLE: STEEL OUTSWINGING DOORS WITH & WITHOUT TRANSOMS COMPONENTS AND BILL OF MATERIALS

DATE: 07/31/08
DRAWING NO: CANT0002
SHEET: 9 OF 10

PREPARED BY: BB
SCALE: N.T.S.
REV: B

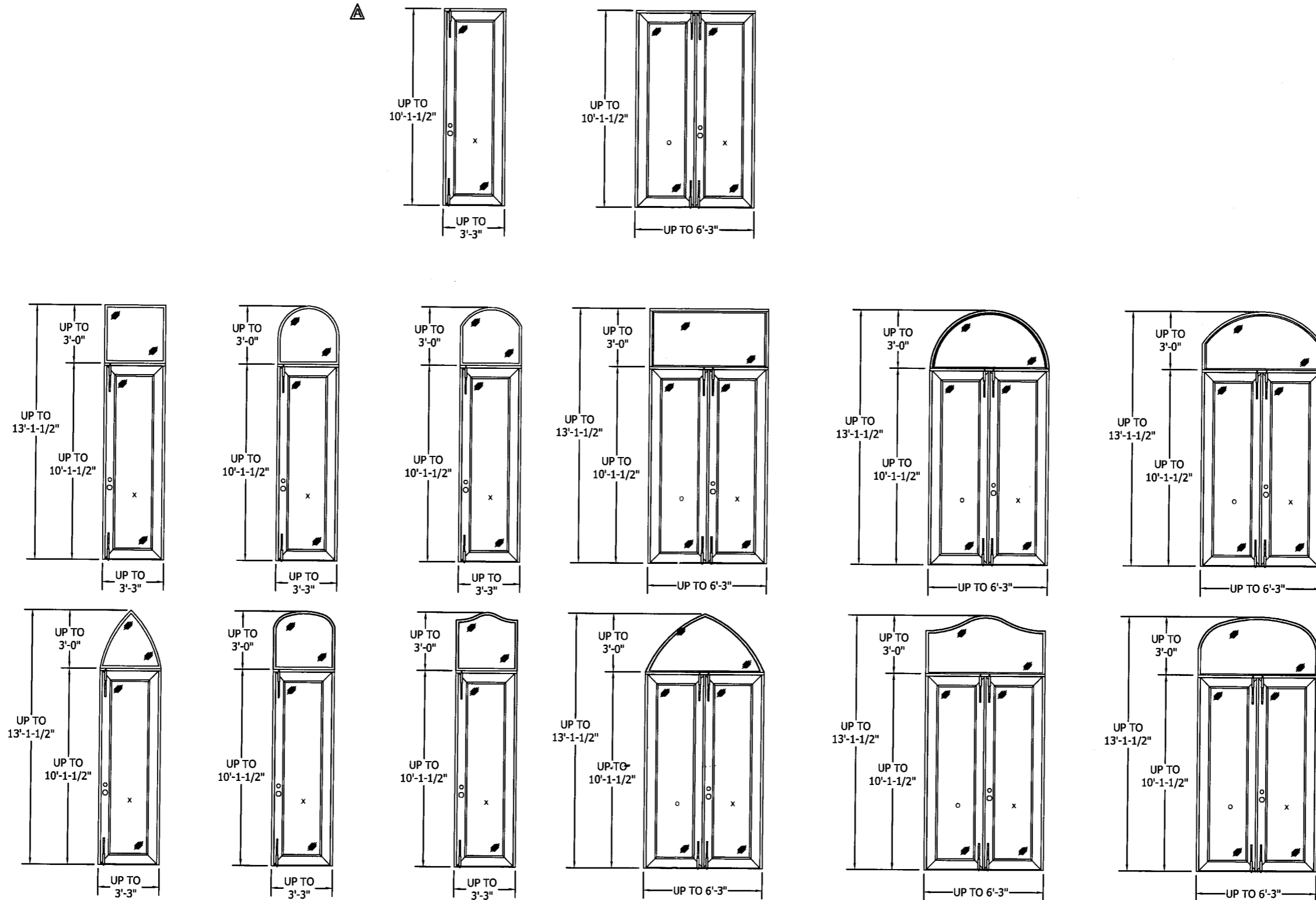
PTC, LLC
1535 Cogswell Street, Suite C-25
Rockledge, Florida 32955
Phone 321.660.1788
Fax 321.660.1788

PROJECT # 307-0701
Paul E. Winter
Florida P.E. No. 22693

PTC, LLC
1535 Cogswell Street, Suite C-25
Rockledge, Florida 32955
FBPE Certificate of Authorization NO. 25935

Approved as complying with the Florida Building Code
Date: JUNE 10, 2009
NOA# 08-0807-20
Miami Dade Product Control Division
By: *Manuel Perez*

APPROVED CONFIGURATIONS



NOTE: ALL DOOR PANELS REQUIRE SURFACE BOLTS ON LOCK STILE AT HEAD AND SILL.

APPROVED BY: PAUL E. WINTER, P.E.	DATE: 07/31/08
B	PER MIAMI-DADE 01-05-09
A	PER MIAMI-DADE 9-25-08
REV	DESCRIPTION
BB	02/05/09
SMC	12/5/08
BY	DATE

CANTERA DOORS
3698 R.R. 620 SOUTH, STE 101
AUSTIN, TX 78738

TITLE: STEEL OUTSWING DOORS WITH & WITHOUT TRANSOMS APPROVED CONFIGURATIONS

PREPARED BY: BB
SCALE: N.T.S.
REV: A

DATE: 07/31/08
DRAWING NO: CANT0002
SHEET: 10 OF 10

PTC, LLC
Phone 321.680.1785
Fax 321.680.1789

PROJECT # 307-0701
Paul E. Winter
Florida P.E. No. 22683

Paul E. Winter

PTC, LLC
1535 Cogswell Street, Suite C25
Rockledge, Florida 32955
FBPE Certificate of Authorization NO. 25935

Approved as complying with the
Florida Building Code
Date JUNE 10, 2009
NOA# 08-0887-20
Miami Dade Product Control
Division
By *Manuel Perez*