



MIAMI-DADE COUNTY
BUILDING CODE COMPLIANCE OFFICE (BCCO)
PRODUCT CONTROL DIVISION
NOTICE OF ACCEPTANCE (NOA)

MIAMI-DADE COUNTY, FLORIDA
 METRO-DADE FLAGLER BUILDING
 140 WEST FLAGLER STREET, SUITE 1603

MIAMI, FLORIDA 33130-1563
 (305) 375-2901 FAX (305) 372-6339

www.miamidade.gov/buildingcode

Jeld-Wen, Inc. (OR)
3737 Lakeport Boulevard
Klamath Falls, OR 97601

SCOPE:

This NOA is being issued under the applicable rules and regulations governing the use of construction materials. The documentation submitted has been reviewed by Miami-Dade County Product Control Division and accepted by the Board of Rules and Appeals (BORA) to be used in Miami Dade County and other areas where allowed by the Authority Having Jurisdiction (AHJ).

This NOA shall not be valid after the expiration date stated below. The Miami-Dade County Product Control Division (In Miami Dade County) and/or the AHJ (in areas other than Miami Dade County) reserve the right to have this product or material tested for quality assurance purposes. If this product or material fails to perform in the accepted manner, the manufacturer will incur the expense of such testing and the AHJ may immediately revoke, modify, or suspend the use of such product or material within their jurisdiction. BORA reserves the right to revoke this acceptance, if it is determined by Miami-Dade County Product Control Division that this product or material fails to meet the requirements of the applicable building code.

This product is approved as described herein, and has been designed to comply with the Florida Building Code, including the High Velocity Hurricane Zone.

DESCRIPTION: Series 6'8" W/E Outswing Opaque Steel Doors - L.M.I. - w/wo Sidelites – N.I.

APPROVAL DOCUMENT: Drawing No. **S-2104**, titled "Series Wood Edge Opaque Outswing Steel Impact Door Up to 9'-0" x 6'-8" with and without Non-Impact Sidelites", sheets 1 through 8 of 8, dated 09/11/2001 with revision **E** dated 09/15/2008, prepared by PTC, LLC, dated 11/09/2008, signed and sealed by Eric S. Nielsen, P.E., bearing the Miami-Dade County Product Control Revised stamp with the Notice of Acceptance number and expiration date by the Miami-Dade County Product Control Division.

MISSILE IMPACT RATING:

Large Missile And Small Missile Impact Resistant (Doors) w/ wo Non - Impact Resistant (Sidelites)

LIMITATION:

Miami-Dade County Approved Impact Resistant Shutters or Protection Devices are required for the Sidelites.

LABELING: Each unit shall bear a permanent label with the manufacturer's name or logo, city, state and following statement: "Miami-Dade County Product Control Approved", unless otherwise noted herein.

RENEWAL of this NOA shall be considered after a renewal application has been filed and there has been no change in the applicable building code negatively affecting the performance of this product.

TERMINATION of this NOA will occur after the expiration date or if there has been a revision or change in the materials, use, and/or manufacture of the product or process. Misuse of this NOA as an endorsement of any product, for sales, advertising or any other purposes shall automatically terminate this NOA. Failure to comply with any section of this NOA shall be cause for termination and removal of NOA.

ADVERTISEMENT: The NOA number preceded by the words Miami-Dade County, Florida, and followed by the expiration date may be displayed in advertising literature. If any portion of the NOA is displayed, then it shall be done in its entirety.

INSPECTION: A copy of this entire NOA shall be provided to the user by the manufacturer or its distributors and shall be available for inspection at the job site at the request of the Building Official.

This NOA **revises and supersedes NOA No. 07-0731.04** and consists of this page 1 and evidence pages E-1 and E-2, as well as approval document mentioned above.

The submitted documentation was reviewed by **Jaime D. Gascon, P.E.**



J. Gascon
 11/17/08

NOA No. 08-1015.05
Expiration Date: August 15, 2012
Approval Date: December 12, 2008
 Page 1

NOTICE OF ACCEPTANCE: EVIDENCE SUBMITTED

A. DRAWINGS

1. Manufacturer's die drawings and sections.
2. Drawing No **S-2104**, titled "Series Wood Edge Opaque Outswing Steel Impact Door Up to 9'-0"x 6'-8" with and without Non-Impact Sidelites", sheets 1 through 8 of 8, dated 09/11/2001 with revision **E** dated 09/15/2008, prepared by PTC, LLC, dated 11/09/20087, signed and sealed by Eric S. Nielsen, P.E.

B. TESTS

1. Test reports on:
 - 1) Air Infiltration Test, per PA 202-94
 - 2) Uniform Static Air Pressure Test, Loading per PA 202-94
 - 3) Water Resistance Test, per PA 202-94
 - 4) Forced Entry Test, per PA 202-94
 - 5) Cyclic Wind Pressure, Loading per PA 203-94
 - 6) Large Missile Impact Test, per PA 201-94

Along with marked-up drawings and installation diagram of Outswing and Inswing wood edge opaque steel door, prepared by Certified Testing Laboratories, Test Report No. **CTLA-696W**, date 11/01/2001, signed and sealed by Ramesh Patel, P.E.
(Submitted under NOA # 02-1211.18)

C. CALCULATIONS

1. Anchor verification calculations and structural analysis, complying with FBC-2004, prepared by PTC, LLC, dated 07/11/2007, signed and sealed by Eric S. Nielsen, P.E.
Complies with ASTM E 1300-02
(Submitted under NOA # 07-0731.04)

D. QUALITY ASSURANCE

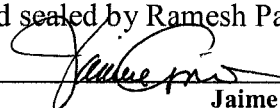
1. Miami Dade Building Code Compliance Office (BCCO).

E. MATERIAL CERTIFICATIONS

1. None

F. STATEMENTS

1. Statement letter of conformance, no financial interest and compliance, dated 07/19/2007 by PTC, LLC, signed and sealed by Eric S. Nielsen, P.E.
2. *(Submitted under NOA # 07-0731.04)*
3. Laboratory addendum letter for Test Report no. **CTLA-696W**, issued by Certified Testing Laboratories, dated 04/11/2002, signed and sealed by Ramesh Patel, P.E.
(Submitted under NOA# 02-1211.18)
4. Laboratory compliance letter for Test Report no. **CTLA-696W**, issued by Certified Testing Laboratories, dated 11/11/2001, signed and sealed by Ramesh Patel, P.E.
(Submitted under NOA# 02-1211.18)


Jaime D. Gascon, P.E.
Chief, Product Control Division
NOA No. 08-1015.05
Expiration Date: August 15, 2012
Approval Date: December 12, 2008

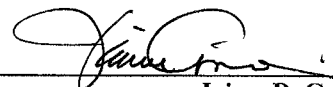
NOTICE OF ACCEPTANCE: EVIDENCE SUBMITTED

G. OTHERS

1. Notice of Acceptance No. **07-0731.04**, issued to Jeld-Wen, Inc. (OR) for their Series “**6'8" W/E Outswing Opaque Steel Doors - L.M.I. - w/wo Sidelites – N.I.**”, approved on 12/20/2007 and expiring on 08/15/2012.

H. LIMITATIONS

1. **Miami-Dade County Approved Impact Resistant Shutters or Protection Devices are required for the Sidelites.**
2. Miami-Dade County Approved Impact Resistant Shutters or Protection Devices are **NOT** required for the Doors.



Jaime D. Gascon, P.E.
Chief, Product Control Division
NOA No. 08-1015.05
Expiration Date: August 15, 2012
Approval Date: December 12, 2008

JELD-WEN® Steel

8'-0" WOOD EDGE OPAQUE STEEL OUTSWING
IMPACT DOOR UNITS WITH & WITHOUT SIDELITES

GENERAL NOTES

- THIS PRODUCT IS DESIGNED TO COMPLY WITH THE CURRENT FLORIDA BUILDING CODE AND HIGH VELOCITY HURRICANE ZONE "HVHZ" REQUIREMENTS.
- WOOD BUCKS BY OTHERS, MUST BE ANCHORED PROPERLY TO TRANSFER LOADS TO THE STRUCTURE.
- PRODUCT ANCHORS SHALL BE AS LISTED AND SPACED PER ANCHOR LOCATION DRAWINGS. ANCHOR EMBEDMENT TO BASE MATERIAL SHALL BE BEYOND WALL DRESSING OR STUCCO.
- SEE TABLE 1 ON THIS SHEET FOR DESIGN PRESSURE RATINGS.
- THIS PRODUCT MEETS THE WATER REQUIREMENTS FOR "HVHZ" ZONES. SEE THE DESIGN PRESSURE CHART BELOW.
- DOORS ARE IMPACTED AND DO NOT REQUIRE MIAMI-DADE APPROVED IMPACT RESISTANT SHUTTERS.
- MIAMI-DADE APPROVED IMPACT RESISTANT SHUTTERS ARE REQUIRED FOR SIDELITES.
- SIDELITES ARE AN OPTION AND CAN BE USED IN A SINGLE OR DOUBLE CONFIGURATION.

RESIDENTIAL INSULATED STEEL DOOR (Common to all frame conditions)

COMPONENT CONSTRUCTIONS:

Face sheets: 24 ga. (0.020") minimum thickness, Galvanized Steel A-525 commercial quality - AKDQ per ASTM 620 with average minimum yield strength $F_y(ave.)=24,600$ psi.

Core design: Expanded polystyrene with 1.0 to 1.25 lbs./cf density, by JELD-WEN, INC.

Door Panel Construction: The active and inactive panels are constructed from 24GA. (0.020" min.) galvanized steel. The face sheet tops and bottoms are bent 90° over the top and bottom rails. The top LVL rail measures 1.67" wide x 1.042" high. The steel bottom rail is roll formed 0.021" galvanized steel measuring 1.67" wide x 1.21" high. The sides of the face sheet are roll formed onto the LVL latch stile and Ponderosa Pine hinge stile which measure 1.67" x 1.0". The interior cavity is filled with polystyrene. The face sheets are glued to the polystyrene.

Fixed Lite Const.: The sash is constructed from 24GA. (0.020" min.) galvanized steel. The edges of the face sheet are bent 90° over the polystyrene core and glued to it. The sidelite panels are routed to receive the OD L Lip Lite Frames or the optional Trinity Light Frames. (See sheet 7 for glazing details.) The lite frames are sealed w/ QSD glazing compound on the exterior.

Frame Construction: The frames are constructed from Ponderosa Pine jambs measuring 1.25" wide x 4.5625" deep. The door and sidelite head jambs are mortised and butt joined to the side jambs and attached with (3) 16GA. 2" x 7/16" crown wire staples. The units use a standard bump face Pemko threshold measuring 4.041" deep x 1.0" high. The threshold is attached to the frame with (3) 16GA. 2" x 7/16" crown wire staples.

TABLE OF CONTENTS

SHT #	DESCRIPTION
1	GENERAL NOTES AND TYPICAL ELEVATIONS
2	VERTICAL CROSS SECTIONS AND BILL OF MATERIALS
3	HORIZONTAL CROSS SECTIONS
4	HORIZONTAL CROSS SECTIONS AND NOTES
5	ANCHORING LOCATIONS AND DETAILS
6	ANCHORING LOCATIONS AND DETAILS
7	GLAZING DETAILS
8	UNIT COMPONENTS

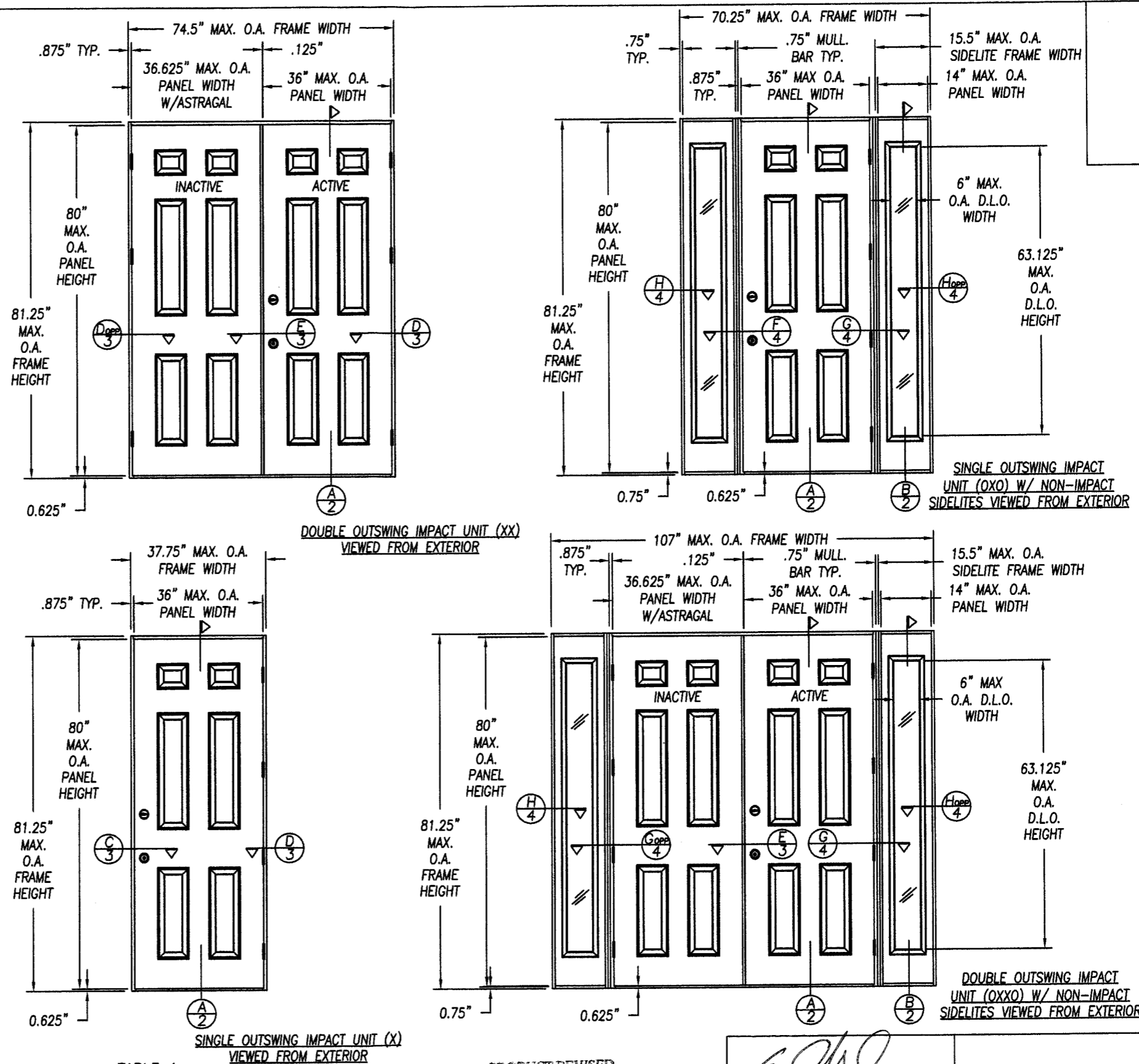


TABLE 1:

DESIGN PRESSURE RATING—WHERE WATER INFILTRATION REQUIREMENT IS NEEDED	
SINGLE DOOR UNIT (X, OX, XO, OXO) W/WO NON-IMPACT SIDELITES	+66.67 psf -70 psf
DOUBLE DOOR UNIT (XX, OXX, XXO, OXXO) W/WO NON-IMPACT SIDELITES	+57 psf -57 psf

PRODUCT REVISED
as complying with the Florida
Building Code
Acceptance No. 08-1015-05
Expiration Date 08/15/2012
By *[Signature]*
Miami-Dade Product Control
Division

[Signature]
11/9/08
Eric S. Nielsen
Florida P. E. No. 41323
PTC, LLC
1535 Cogswell Street, Suite C25
Rockledge, Florida 32955
FBPE Certificate of Authorization NO. 25935

Prepared By:

PTC

PTC, LLC
Phone: 321-690-1788
Fax: 321-690-1789

JELD-WEN, INC.
3737 LAKEPORT BLVD.
KLAMATH FALLS, OR. 97601
PH. 541.882.3451

PRODUCT:
WOOD EDGE OPAQUE STEEL OUTSWING
IMPACT DOOR UP TO 9'-0" x 6'-8"
WITH & WITHOUT NON-IMPACT SIDELITES

PART OR ASSEMBLY:
GENERAL NOTES AND
TYPICAL ELEVATIONS

DATE	REVISIONS	BY
09/15/08	CLARIFIED NOTE #7	SMC
07/11/07	MODIFIED TO MEET THE 2004 FBC	JWJ
10/22/02	ADDED TRINITY LITE FRAME	ZRK
06/06/02	GENERAL REVISION	TJH
03/14/02	GENERAL REVISION	TJH

DATE: 9-11-01

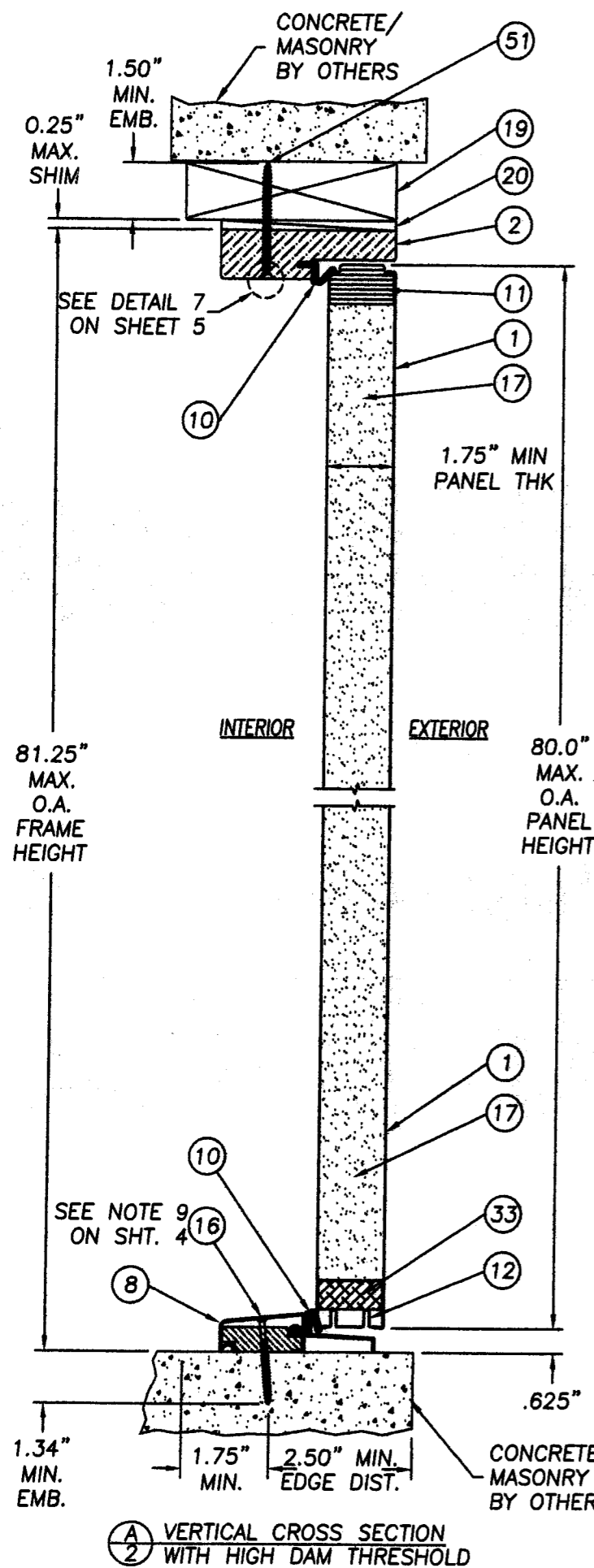
SCALE: N.T.S.

DWG. BY: JWJ

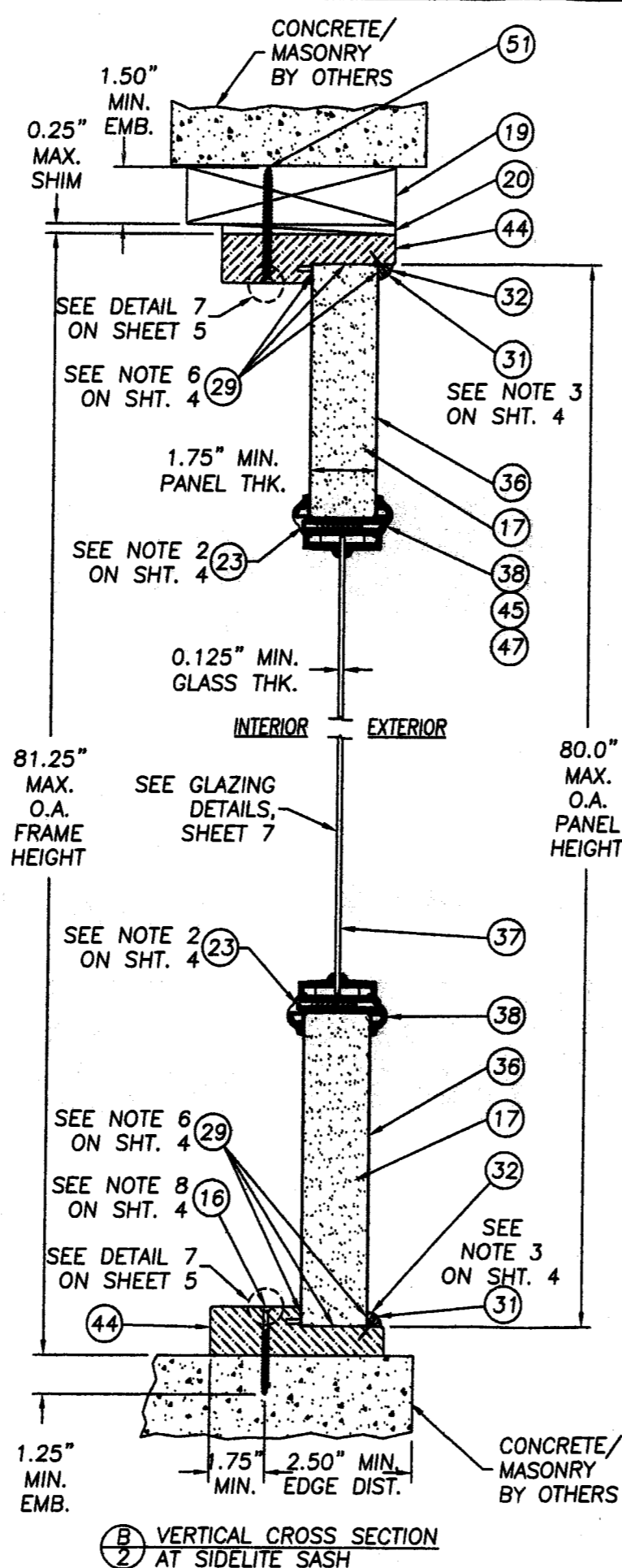
CHK. BY: S. SAFFELL

DRAWING NO.: S-2104

SHEET 1 OF 8



(A) VERTICAL CROSS SECTION WITH HIGH DAM THRESHOLD



(B) VERTICAL CROSS SECTION AT SIDELITE SASH

ITEM	DESCRIPTION	MATERIAL
1	DOOR STEEL FACE SHEET 24GA. (0.020" MIN.)	STEEL
2	FRAME HEAD (FINGER JOINTED PONDEROSA PINE)	WOOD
3	FRAME HINGE JAMB (FINGER JOINTED PONDEROSA PINE)	WOOD
4	FRAME LATCH JAMB (FINGER JOINTED PONDEROSA PINE)	WOOD
5	4" x 4" BUTT HINGE 12ga. (BY HAGER)	STEEL
6	#9 X 1" PFH WOOD SCREW (HINGE TO DOOR)	STEEL
7	DOOR LATCH STILE	LVL
8	OUTSWING PEMKO BUMP FACE THRESHOLD	ALUMINUM
9	BRAD TRIM NAIL 16GA. X 1" (FOR MULLION CAP)	STEEL
10	COMPRESSION WEATHERSTRIP	FOAM
11	DOOR TOP RAIL	LVL
12	DOOR BOTTOM RAIL	STEEL
13	DOOR HINGE STILE (FINGER JOINTED PONDEROSA PINE)	WOOD
14	#10 x 1 3/4" PFH WOOD SCREW	STEEL
15	LOCK BLOCK (FINGER JOINTED PONDEROSA PINE)	WOOD
16	3/16" ITW TAPCON ANCHOR W/ 1 1/4" MIN. EMBED.	STEEL
17	EXPANDED POLYSTYRENE (1.0 to 1.25 lb./cf DENSITY) BY JELD-WEN	FOAM
18	NOT USED	-
19	2x WOOD SUB BUCK	WOOD
20	SHIM (0.25" MAX. THK. HIGH DENSITY PLASTIC OR GREATER)	-
21	KWIKSET 400 SERIES KNOB	STEEL
22	KWIKSET TITAN 700 SERIES DEADBOLT (NOT SHOWN)	STEEL
23	#8 x 1 1/2" PLASCREW (ODL LITE FRAME)	STEEL
24	#8 x 2" PFH WOOD SCREW	STEEL
25	#8 x 2 1/2" PFH WOOD SCREW	STEEL
26	#10 x 1" PFH WOOD SCREW (IMPERIAL ASTRAGAL TO DOOR)	STEEL
27	#10 x 2" PFH WOOD SCREW	STEEL
28	MULLION CAP	WOOD
29	SILICONE CAULK (CR LAWRENCE 33 C)	SILICONE
30	GLAZING COMPOUND (QSD BY ODL)	SILICONE
31	BRAD TRIM NAIL 16GA. x 3/4" (FOR 3/8" QUARTER. ROUND.)	STEEL
32	3/8" QUARTER ROUND SIDELITE STOP	WOOD
33	CORNER BLOCKS FOR STEEL DOOR BOTTOM RAIL	MDF
34	SCHLAGE KNOB SET #F51	STEEL
35	SCHLAGE DEADBOLT #B360 (NOT SHOWN)	STEEL
36	SIDELITE STEEL FACE SHEET 24GA. (0.020" MIN. STEEL)	STEEL
37	1/8" TEMPERED GLASS (BY PPG)	GLASS
38	ODL LITE FRAME SG (SPARTECH POLYCOM PP5530 C13)	POLYPROP.
39	PRESSURE TREATED MULLION BAR (3/4" x 4 9/16 x 81 1/4")	P.T. WOOD
40	ALUMINUM EXTRUDED ASTRAGAL (BY IMPERIAL)	ALUMINUM
41	ASTRAGAL STRIKE PLATE (BY IMPERIAL)	STEEL
42	YALE KNOB HERITAGE SERIES	STEEL
43	YALE DEADBOLT HERITAGE SERIES (NOT SHOWN)	STEEL
44	SIDELITE FRAME HEAD, SILL AND JAMBS (FINGER JOINTED PONDEROSA PINE)	WOOD
45	LITE FRAME BY TRINITY FOR 1/2" I.G.U.	POLYPROP.
46	1/2" INSULATED TEMPERED GLASS (BY TRINITY/AMPAC)	GLASS
47	LITE FRAME BY TRINITY FOR 1" GLASS	POLYPROP.
48	1" INSULATED TEMPERED GLASS (BY TRINITY/AMPAC)	GLASS
49	LITE FRAME SCREW #6 x 1 1/2" LONG PANHEAD (BY TRINITY)	STEEL
50	GLAZING COMPOUND DOW 1199	SILICONE
51	#10 WOOD INSTALLATION SCREW W/ 1.50" MIN. EMBEDMENT	STEEL
52	DOOR LATCH STRIKE PLATE	STEEL
53	DOOR LATCH DEAD BOLT STRIKE PLATE	STEEL

PRODUCT REVISED as complying with the Florida Building Code Acceptance No. 070731.04 Expiration Date 08/15/2012
By *[Signature]*
Miami Dade Product Control Division

JELD-WEN, INC.
3737 LAKEPORT BLVD.
KLAMATH FALLS, OR. 97601
PH. 541.882.3451

PRODUCT: WOOD EDGE OPAQUE OUTSWING IMPACT STEEL DOOR UP TO 9'-0" x 6'-8" WITH & WITHOUT NON-IMPACT SIDELITES
PART OR ASSEMBLY: VERTICAL CROSS SECTIONS AND BILL OF MATERIALS

DATE	BY	REVISIONS
D 07/11/07	JWJ	MODIFIED TO MEET THE 2004 FBC
C 10/22/02	ZRK	ADDED TRINITY LITE FRAME
B 06/06/02	TJH	GENERAL REVISION
A 03/14/02	TJH	GENERAL REVISION

PRODUCT REVISED as complying with the Florida Building Code Acceptance No. 08-1015.05 Expiration Date 08/15/2012
By *[Signature]*
Miami Dade Product Control Division

[Signature]
Eric S. Nielsen
Florida P. E. No. 41323
PTC, LLC
1535 Cogswell Street, Suite C25
Rockledge, Florida 32955
FBPE Certificate of Authorization No. 25935

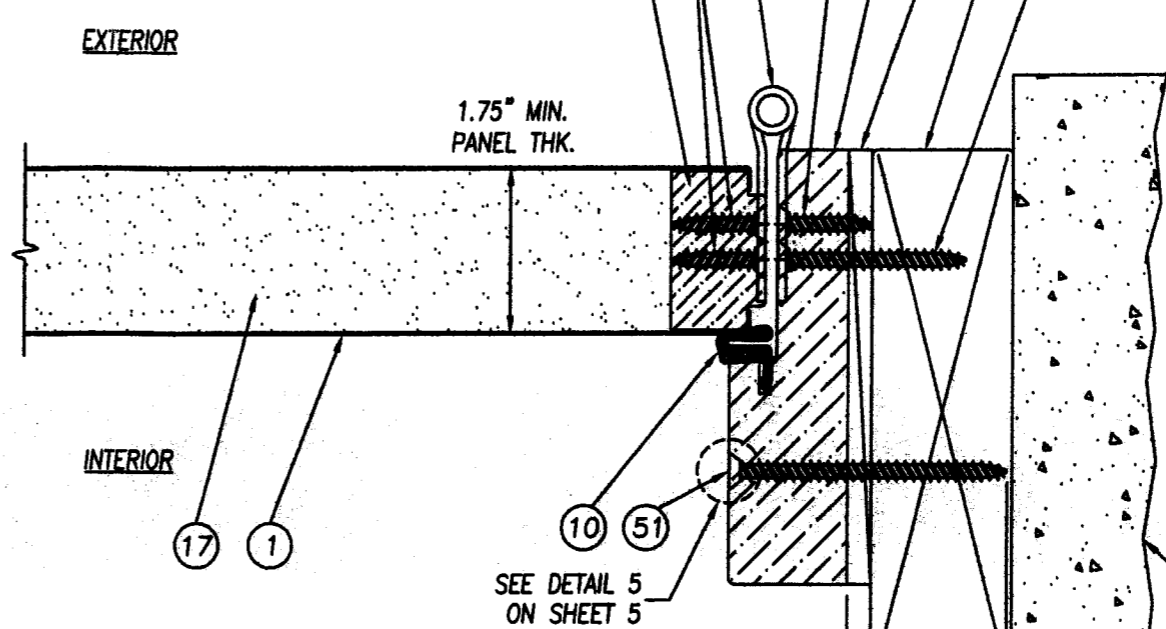
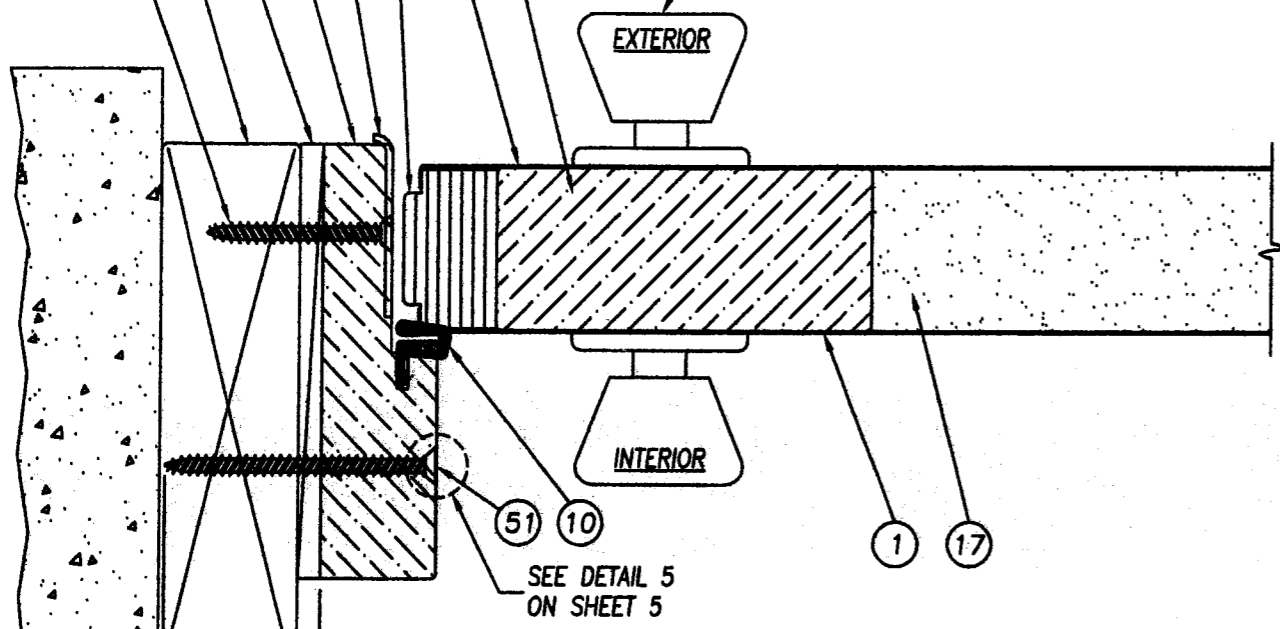
Prepared By:
PTC
PTC, LLC
Phone: 321-690-1788
Fax: 321-690-1789

DATE: 9-11-01
SCALE: N.T.S.
DWG. BY: JWJ
CHK. BY: S. SAFFELL
DRAWING NO.: S-2104
SHEET 2 OF 8

SEE NOTE 4 ON SHT. 4

SEE NOTE 7 ON SHT. 4

PRODUCT REVISED as complying with the Florida Building Code Acceptance No. 07-0731.04 Expiration Date 08/15/2012
By *[Signature]* Miami Dade Product Control Division



C HORIZONTAL CROSS SECTION LATCH JAMB TO BUCK

D HORIZONTAL CROSS SECTION HINGE JAMB TO BUCK

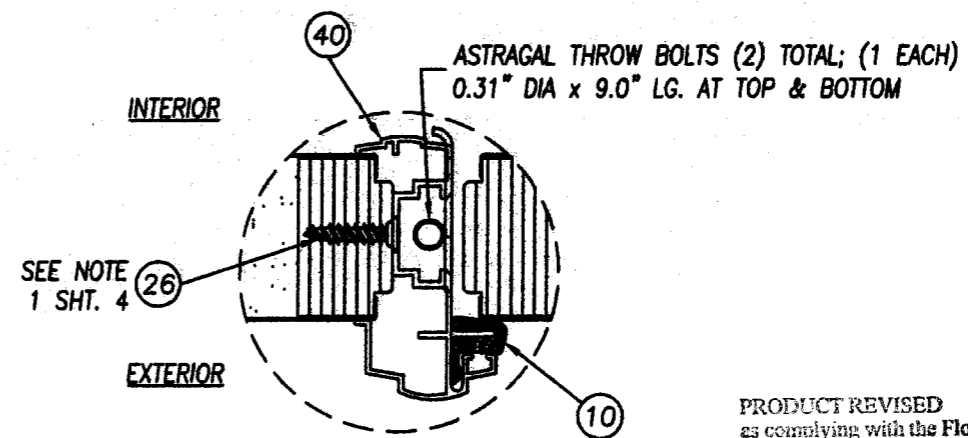
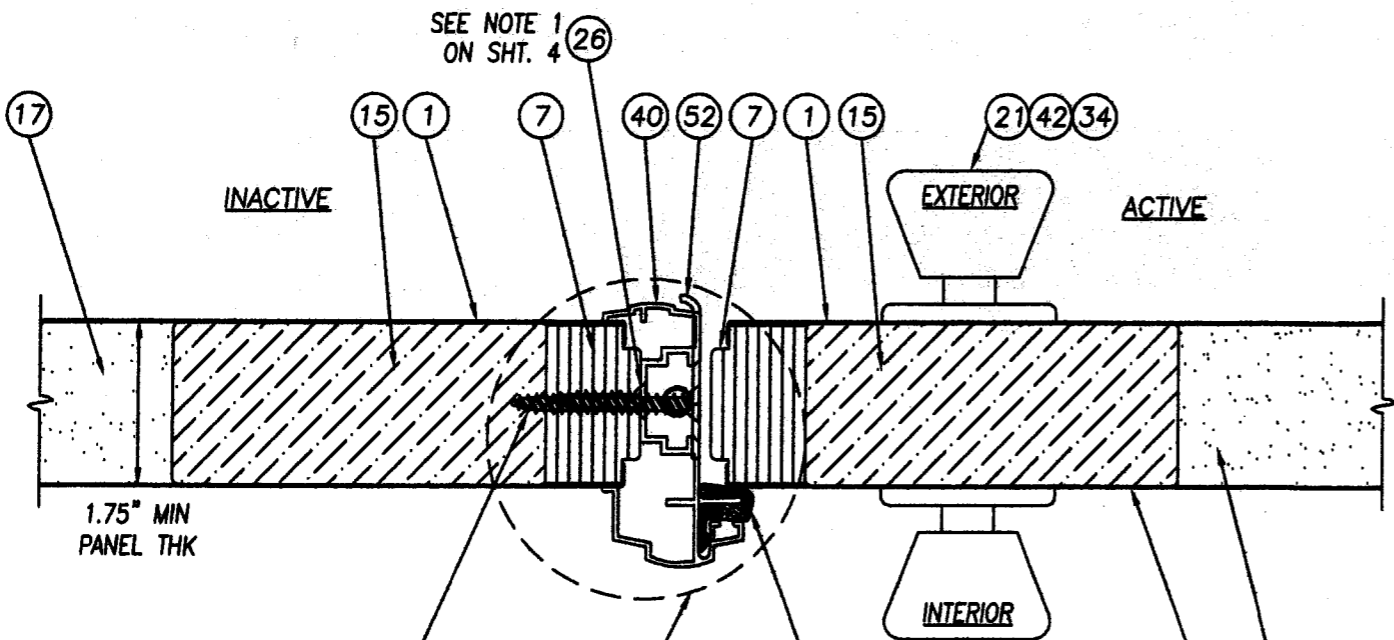
CONCRETE/MASONRY BY OTHERS

CONCRETE/MASONRY BY OTHERS

JELD-WEN, INC.
3737 LAKEPORT BLVD.
KLAMATH FALLS, OR. 97601
PH. 541.882.3451

PRODUCT: WOOD EDGE OPAQUE STEEL OUTSWING IMPACT DOOR UP TO 9'-0" x 6'-8" WITH & WITHOUT NON-IMPACTSIDELITES
PART OR ASSEMBLY: HORIZONTAL CROSS SECTIONS

DATE	BY	REVISIONS
07/11/07	JWJ	MODIFIED TO MEET THE 2004 FBC
10/22/02	ZRK	ADDED TRINITY LIFE FRAME
06/06/02	TJH	GENERAL REVISION
03/14/02	TJH	GENERAL REVISION



DETAIL 1 ASTRAGAL TO STILE ATTACHMENT
NOTE: ITEM 24 NOT SHOWN THIS VIEW FOR CLARITY

PRODUCT REVISED as complying with the Florida Building Code Acceptance No. 08-1015.05 Expiration Date 08/15/2012
By *[Signature]* Miami Dade Product Control Division

SEE NOTE 4 ON SHT. 4

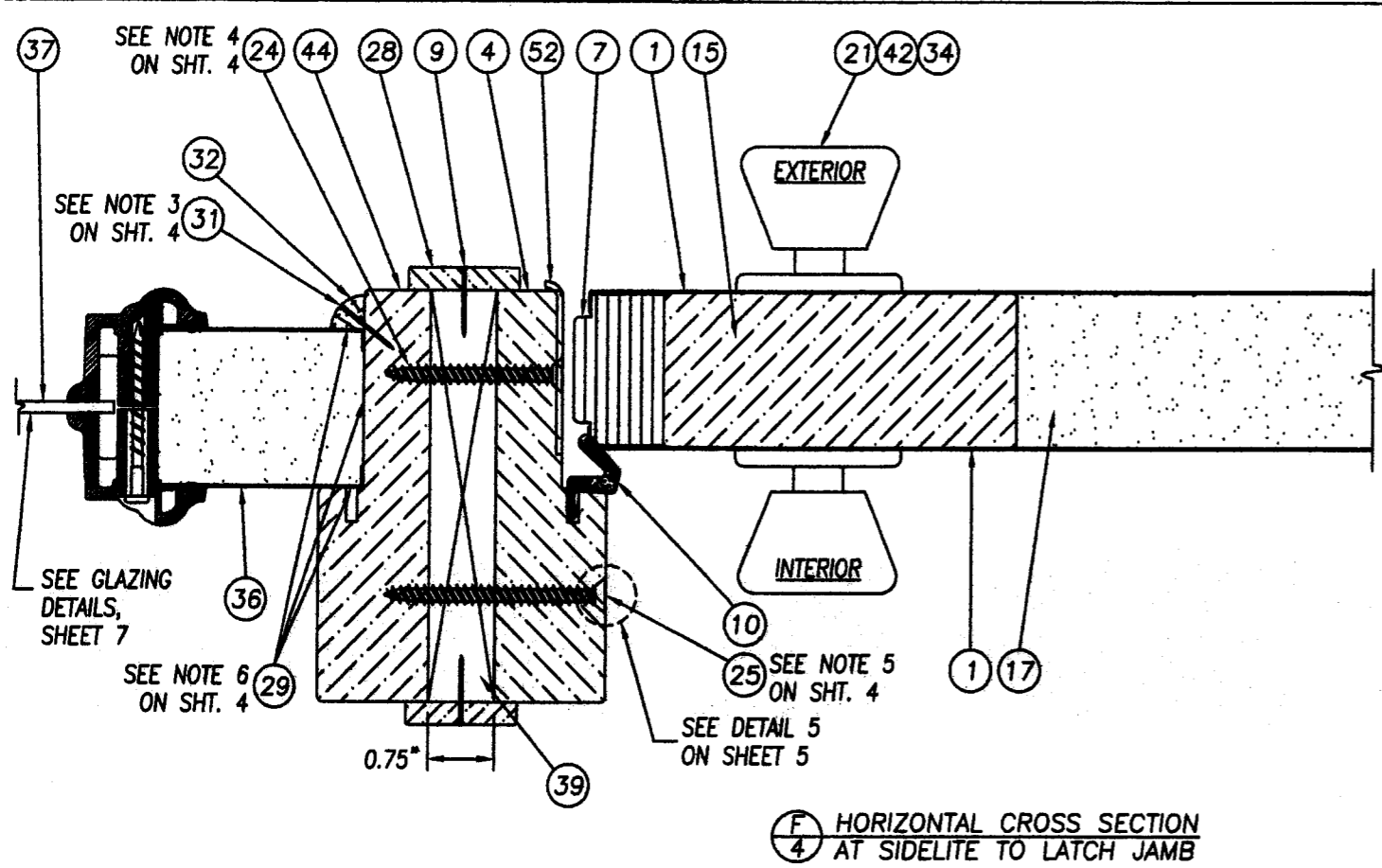
SEE DETAIL 1 ON THIS SHEET

E HORIZONTAL CROSS SECTION AT IMPERIAL ASTRAGAL

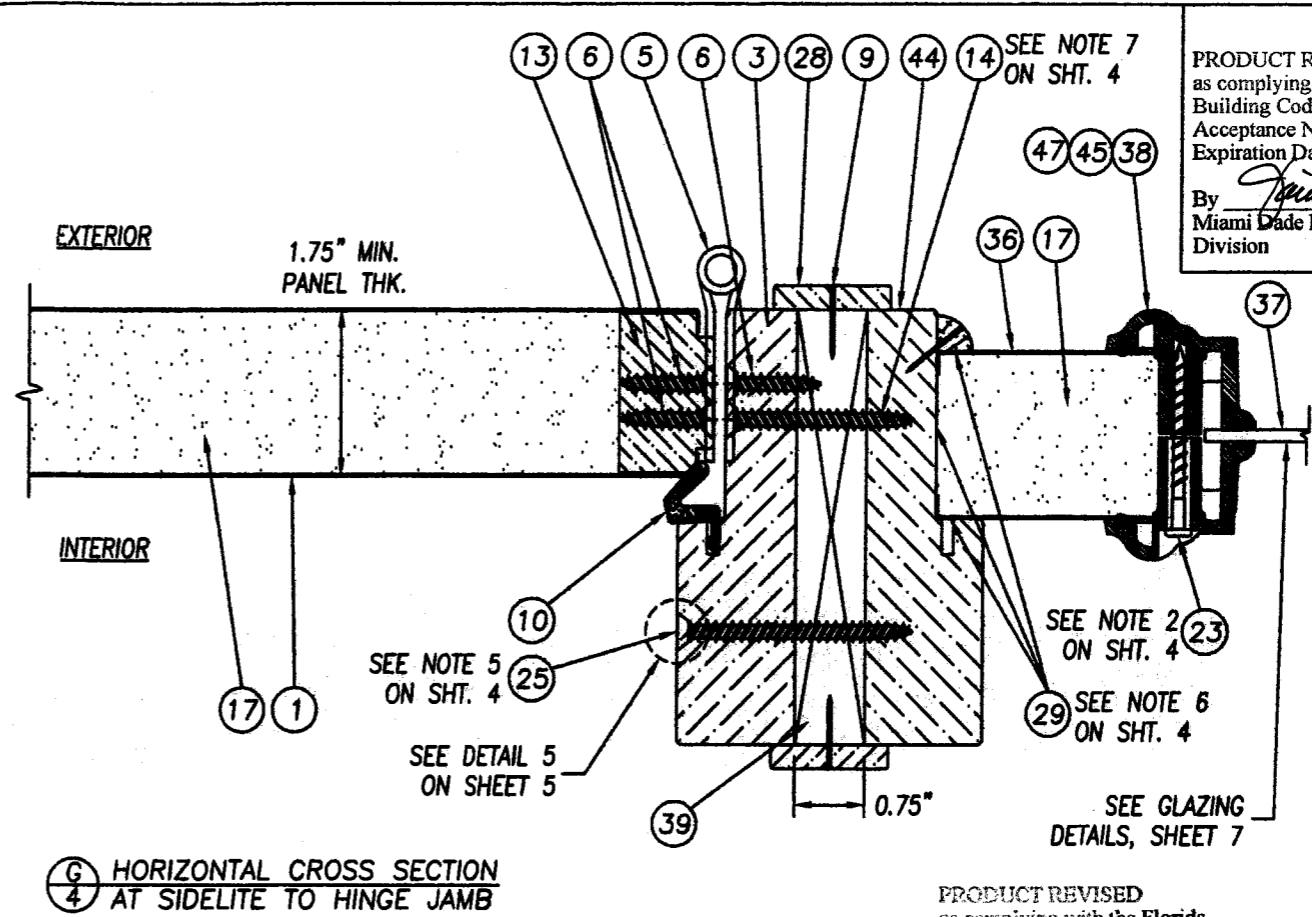
[Signature]
Eric S. Nielsen
Florida P. E. No. 41323
PTC, LLC
1535 Cogswell Street, Suite C25
Rockledge, Florida 32955
FBPE Certificate of Authorization NO. 25936

Prepared By:
PTC
PTC, LLC
Phone: 321-690-1788
Fax: 321-690-1789

DATE:	9-11-01
SCALE:	N.T.S.
DWG. BY:	JWJ
CHK. BY:	S. SAFFELL
DRAWING NO.:	S-2104
SHEET	3 OF 8



F HORIZONTAL CROSS SECTION AT SIDELITE TO LATCH JAMB



G HORIZONTAL CROSS SECTION AT SIDELITE TO HINGE JAMB

PRODUCT REVISED as complying with the Florida Building Code Acceptance No 07-0731.04 Expiration Date 08/15/2012 By *[Signature]* Miami Dade Product Control Division

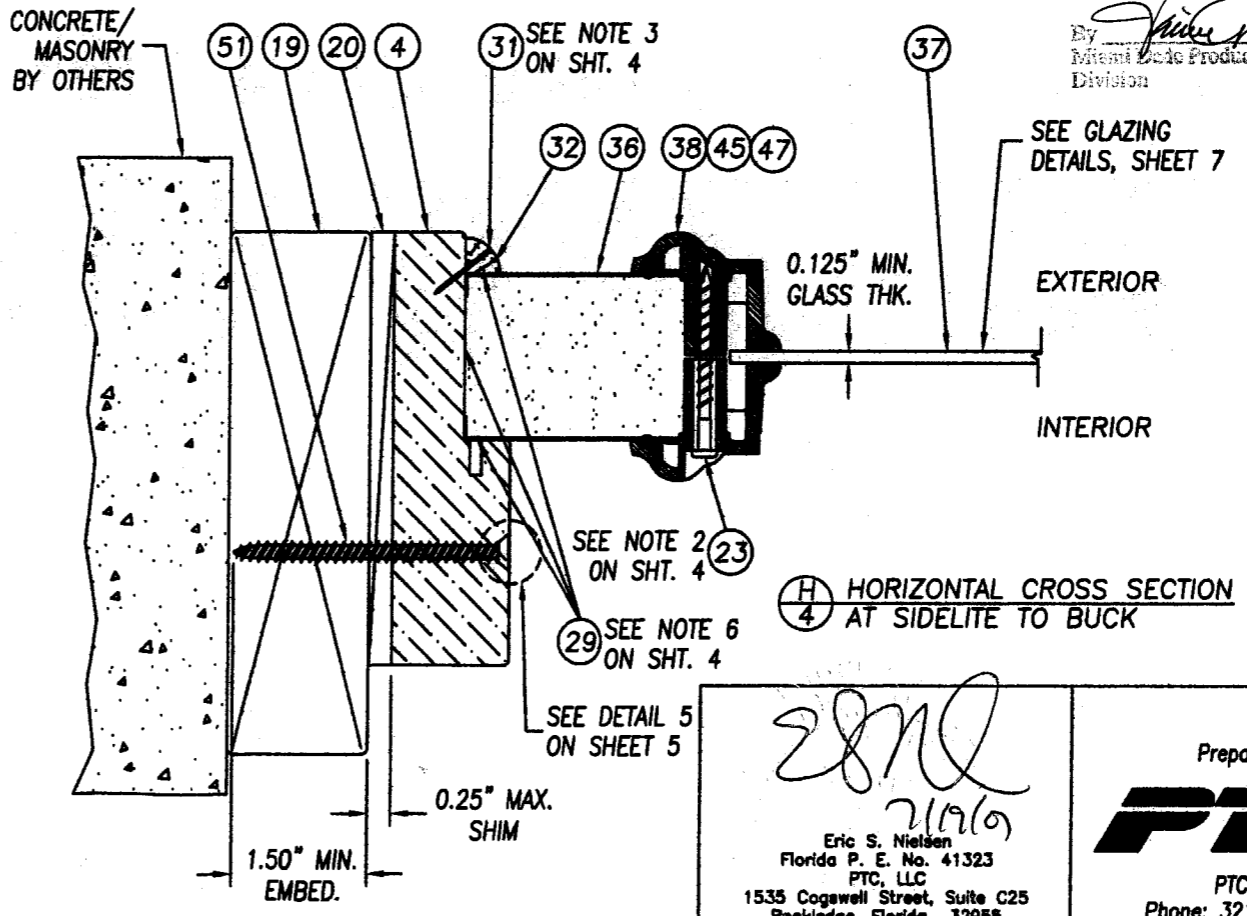
JELD-WEN, INC. 3737 LAKEPORT BLVD. KLAMATH FALLS, OR. 97601 PH. 541.882.3451

PRODUCT: WOOD EDGE OPAQUE STEEL OUTSWING IMPACT DOOR UP TO 9'-0\"/>

PRODUCT REVISED as complying with the Florida Building Code Acceptance No 08-1015.05 Expiration Date 08/15/2012 By *[Signature]* Miami Dade Product Control Division

NOTES:

- SPACING FOR ITEM #26 THE #10 x 1" PFH SCREWS ATTACHING THE IMPERIAL ASTRAGAL TO THE INACTIVE DOOR IS AS FOLLOWS: FROM THE TOP DOWN & THE BOTTOM UP: 1.0", 2.5", 4.0", 5.5", 13.0", 18.0" & 26.0".
- SPACING FOR ITEM #23 THE #8 x 1 1/2" PLASCREW IS AS FOLLOWS: TOP & BOTTOM, HORIZONTALLY, SIDELITE PANEL: 3.0" IN FROM EACH CORNER. ON THE SIDES, VERTICALLY, FOR THE SIDELITE PANELS: 3.0", 13.0", 26.0", 39.0", 52.0" & 63.0".
- SPACING FOR ITEM #31 THE 16GA x 3/4" BRAD TRIM NAIL ATTACHING THE QUARTER ROUND TO THE SIDELITE AND ITEM #9 THE 16GA. X 1" BRAD TRIM NAIL ATTACHING THE MULLION CAP TO THE MULLION BAR VERTICALLY, IS AS FOLLOWS: TOP & BOTTOM HORIZONTALLY (FOR THE 3/8" QUARTER ROUND): 1.25" IN FROM EACH CORNER WITH (1) NAIL MID-SPAN. ON THE SIDES VERTICALLY (FOR BOTH 3/8" QUARTER ROUND & MULLION CAP): 1.25" FROM EACH END & SIX MORE EQUALLY SPACED ON THE FIELD.
- WHEN ATTACHING THE STRIKE PLATE TO THE JAMB AND BUCK USE ITEM #25, A #8 x 2 1/2" PFH WOOD SCREW. WHEN ATTACHING THE STRIKE PLATE TO THE JAMB AND SIDELITE JAMB AT THE MULLION USE ITEM #24, A #8 x 2" PFH WOOD SCREW.
- SPACING FOR ITEM #25 THE #8 x 2 1/2" PFH WOOD SCREWS ATTACHING THE JAMBS TOGETHER AT THE MULLION, IS AS FOLLOWS: 6.0" FROM EACH VERTICAL CORNER WITH (4) MORE SCREWS EQUALLY SPACED ON THE FIELD,
- THE SIDELITE PANEL IS SECURED INTO THE SIDELITE JAMB W/ ITEM #29 SILICONE CAULK ON THREE SIDES AND 3/8" QUARTER ROUNDS SECURED WITH ITEM #31 BRAD TRIM NAILS x 3/4" LONG.
- WHEN ATTACHING THE HINGE TO THE JAMB AND BUCK USE ITEM #27, A #10 x 2" PFH SCREW. WHEN ATTACHING THE HINGE TO THE JAMB AND SIDELITE JAMB AT THE MULLION USE ITEM #14, A #10 x 1 3/4" PFH WOOD SCREW.
- SPACING FOR ITEM #49 THE #6 x 1 1/2" PANHEAD SCREW (TRINITY LITEFRAME) IS AS FOLLOWS: SIDELITE LITEFRAME FROM THE TOP DOWN VERTICALLY: 3.25", 18.0625", 32.8125", 47.5625" & 62.625". SIDELITE LITEFRAME TOP & BOTTOM, FROM THE LEFT: ONE (1) SCREW AT 4.4375".
- ALTERNATE CONCRETE/MASONRY INSTALLATION ANCHORS OF EQUIVALENT PERFORMANCE CHARACTERISTICS CAN BE USED UPON APPROVAL OF THE ARCHITECT OR ENGINEER OF RECORD FOR THE PROJECT OF INSTALLATION.
- USE ITEM #51 WHEN INSTALLING INTO WOOD SUBSTRATE AT HEAD & JAMBS. USE ITEM #25 WHEN INSTALLING INTO MULLIONS. USE ITEM #16 WHEN INSTALLING INTO CONCRETE/MASONRY SUBSTRATE AT SIDELITE SILLS.



H HORIZONTAL CROSS SECTION AT SIDELITE TO BUCK

[Signature]
Eric S. Nielsen
Florida P. E. No. 41323
PTC, LLC
1535 Cogswell Street, Suite C25
Rockledge, Florida 32955
FBPE Certificate of Authorization NO. 25935

Prepared By:
PTC
PTC, LLC
Phone: 321-690-1788
Fax: 321-690-1789

DATE	BY	REVISIONS
07/11/07	JWJ	MODIFIED TO MEET THE 2004 FBC
10/22/02	ZRK	ADDED TRINITY LITE FRAME
06/06/02	TJH	GENERAL REVISION
03/14/02	TJH	GENERAL REVISION

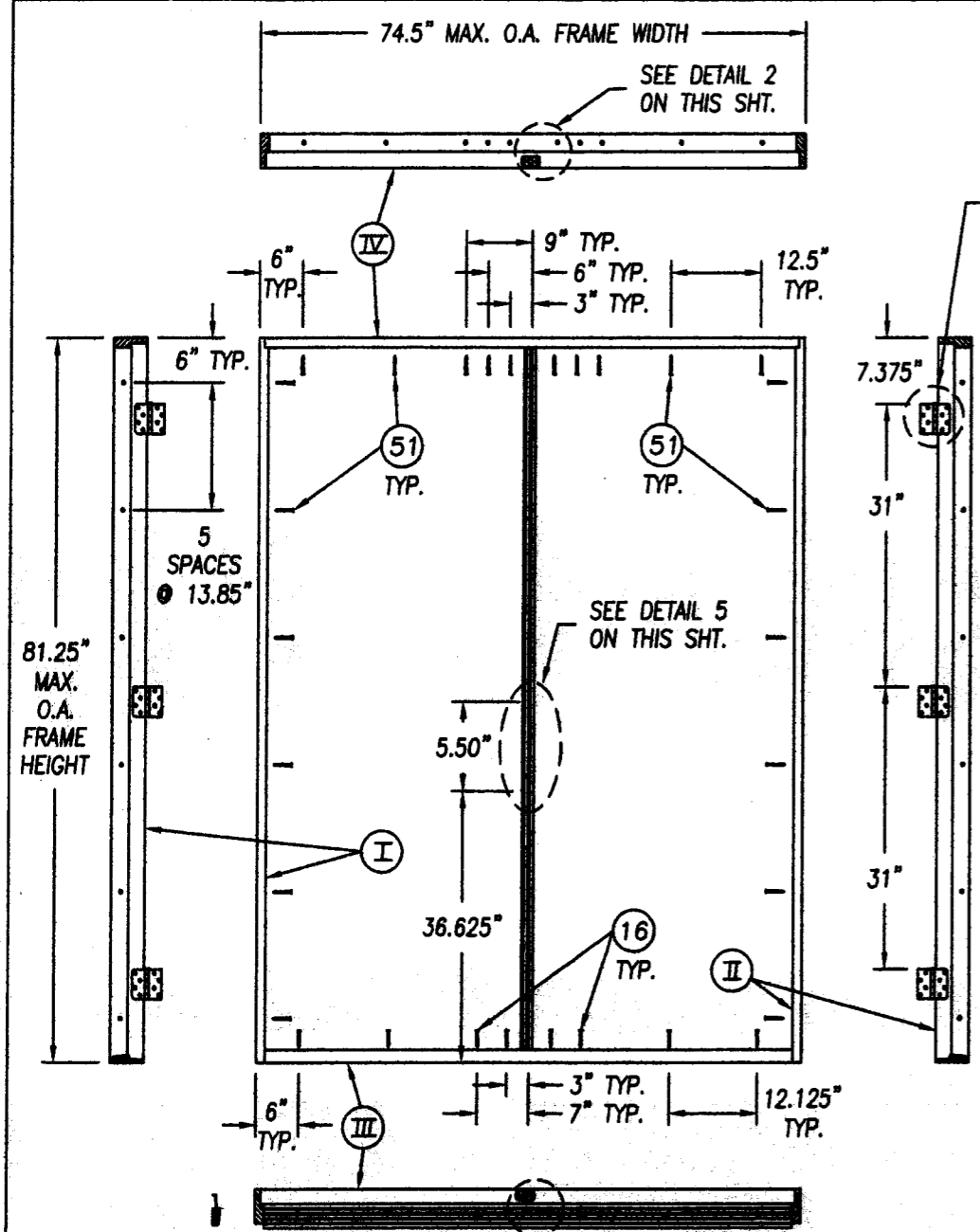
DATE: 9-11-01
SCALE: N.T.S.
DWG. BY: JWJ
CHK. BY: S. SAFFELL
DRAWING NO.: S-2104
SHEET 4 OF 8

PRODUCT REVISED
 as complying with the Florida
 Building Code
 Acceptance No 07-0731-09
 Expiration Date 08/15/2012
 By *[Signature]*
 Miami Dade Product Control
 Division

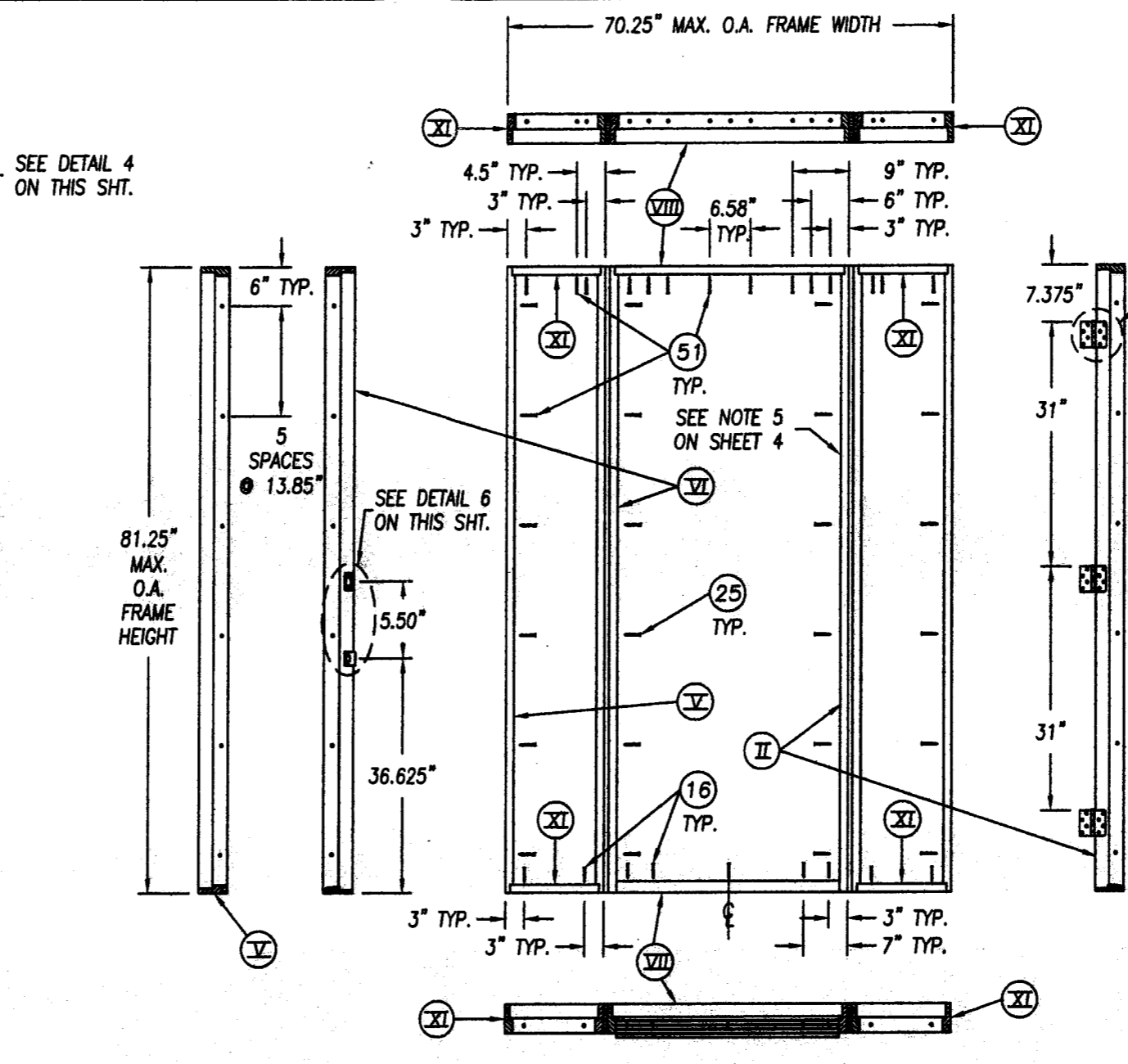
JELD-WEN, INC.
 3737 LAKEPORT BLVD.
 KLAMATH FALLS, OR 97601
 PH. 541.882.3451

PRODUCT: WOOD EDGE OPAQUE STEEL OUTSWING
 IMPACT DOOR UP TO 9'-0" x 6'-8"
 WITH & WITHOUT NON-IMPACT SIDELITES
 PART OR ASSEMBLY:
 ANCHORING LOCATIONS
 AND DETAILS

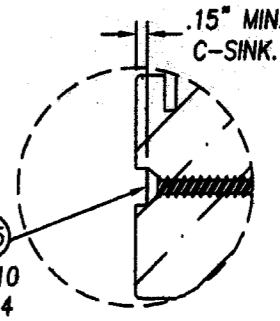
PRODUCT REVISED
 as complying with the Florida
 Building Code
 Acceptance No 08-1015-05
 Expiration Date 08/15/2012
 By *[Signature]*
 Miami Dade Product Control
 Division



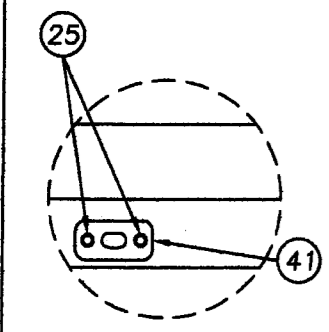
DOUBLE DOOR WITHOUT SIDELITES ANCHOR LOCATIONS
 VIEWED FROM INTERIOR



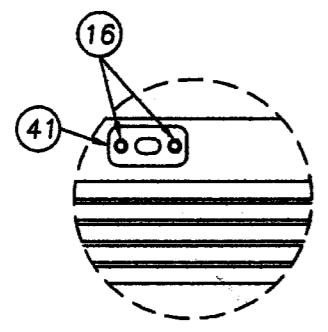
SINGLE DOOR WITH SIDELITES ANCHOR LOCATIONS
 VIEWED FROM INTERIOR



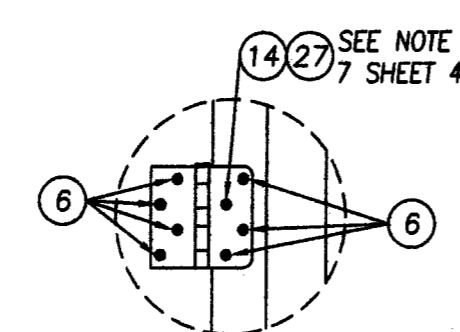
DETAIL 7
 COUNTERSINK FOR INSTALLATION ANCHORS



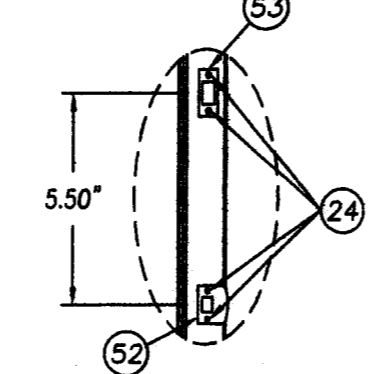
DETAIL 2 - HEAD JAMB
 ASTRAGAL STRIKE PLATE



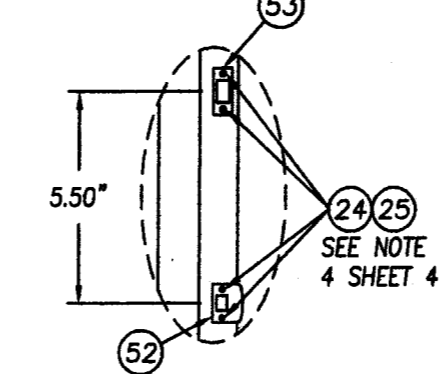
DETAIL 3 - THRESHOLD
 ASTRAGAL STRIKE PLATE



DETAIL 4
 HINGES TO JAMB & DOOR



DETAIL 5
 STRIKE PLATES TO ASTRAGAL



DETAIL 6
 STRIKE PLATES TO JAMB

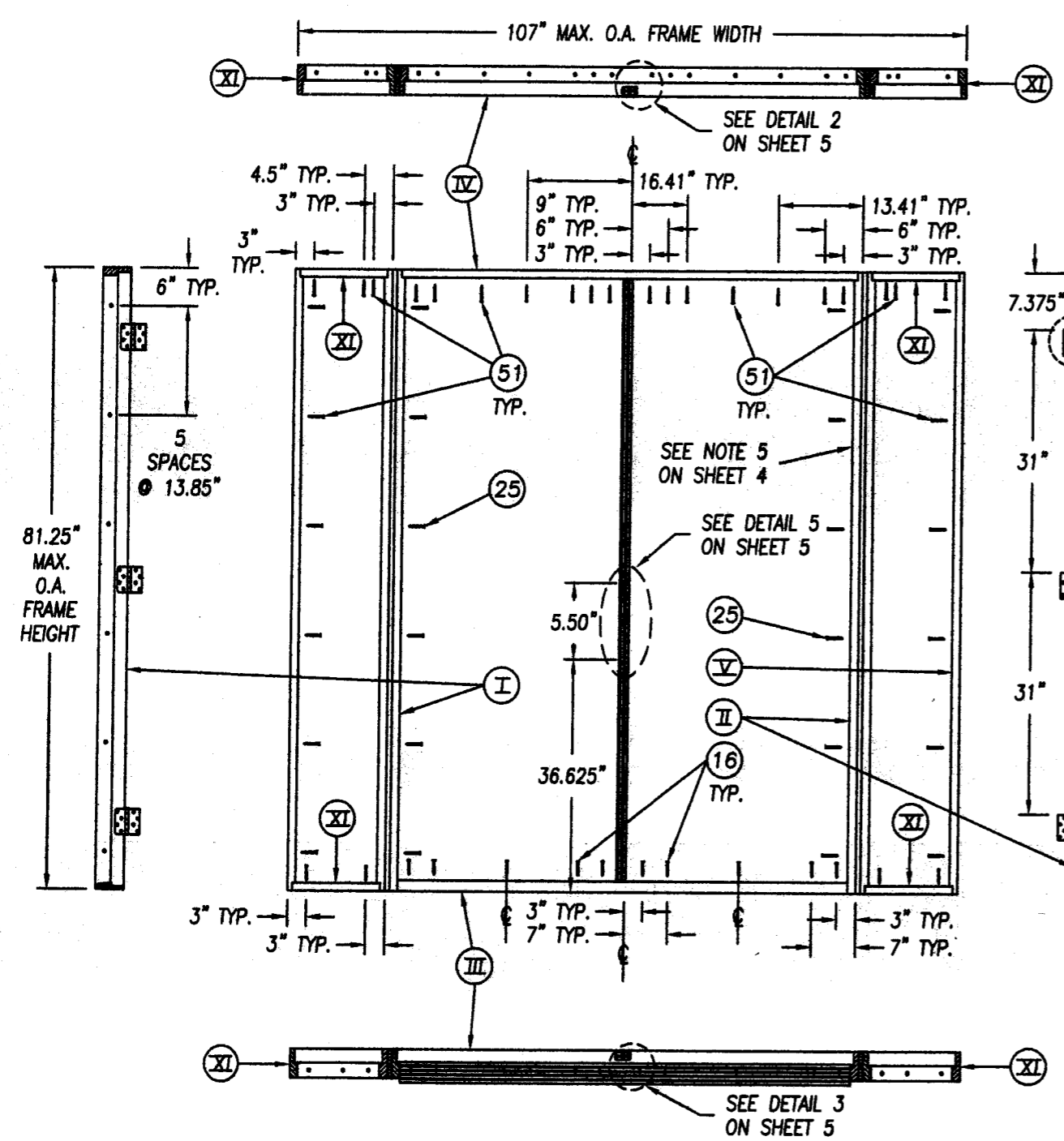
[Signature]
 Eric S. Nielsen
 Florida P. E. No. 41323
 PTC, LLC
 1535 Cogswell Street, Suite C25
 Rockledge, Florida 32955
 FBPE Certificate of Authorization No. 25835

Prepared By:
PTC
 PTC, LLC
 Phone: 321-690-1788
 Fax: 321-690-1789

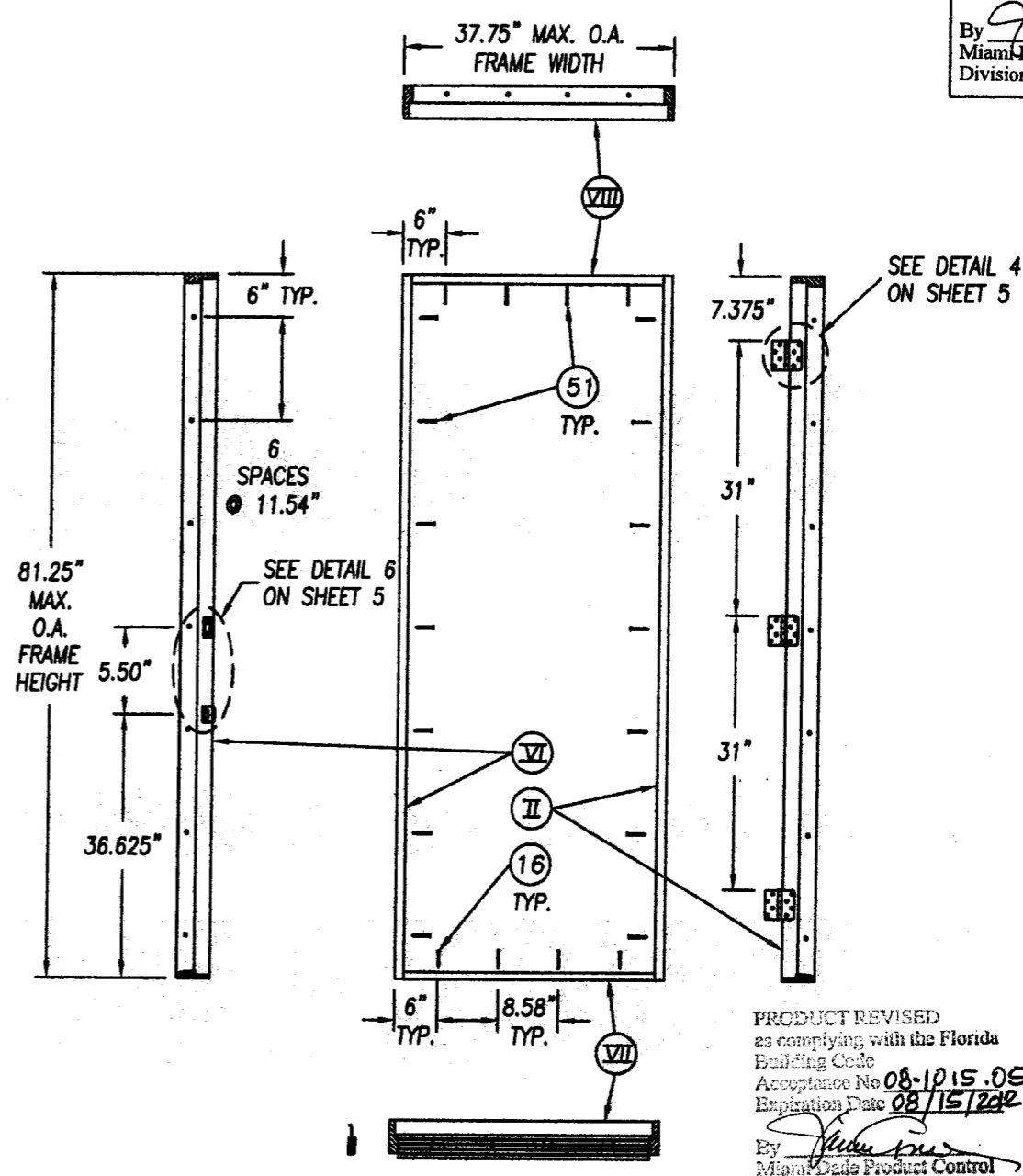
DATE	BY	REVISIONS
D 07/11/07	JWJ	MODIFIED TO MEET THE 2004 FBC
C 10/22/02	ZRK	ADDED TRINITY LITE FRAME
B 06/06/02	TJH	GENERAL REVISION
A 03/14/02	TJH	GENERAL REVISION

DATE: 9-11-01
 SCALE: N.T.S.
 DWG. BY: JWJ
 CHK. BY: S. SAFFELL
 DRAWING NO.: S-2104
 SHEET 5 OF 8

PRODUCT REVISED
 as complying with the Florida
 Building Code
 Acceptance No 07-0731.04
 Expiration Date 08/15/2012
 By *[Signature]*
 Miami-Dade Product Control
 Division



DOUBLE DOOR WITH SIDELITES ANCHOR LOCATIONS
 VIEWED FROM INTERIOR



SINGLE DOOR WITHOUT SIDELITES ANCHOR LOCATIONS
 VIEWED FROM INTERIOR

PRODUCT REVISED
 as complying with the Florida
 Building Code
 Acceptance No 08-1015.05
 Expiration Date 08/15/2012
 By *[Signature]*
 Miami-Dade Product Control
 Division

JELD-WEN, INC.
 3737 LAKEPORT BLVD.
 KLAMATH FALLS, OR. 97601
 PH. 541.882.3451

PRODUCT: WOOD EDGE OPAQUE STEEL OUTSWING
 IMPACT DOOR UP TO 9'-0" x 6'-8"
 WITH & WITHOUT NON-IMPACT SIDELITES
 PART OR ASSEMBLY:
 ANCHORING LOCATIONS
 AND DETAILS

DATE	REVISIONS	BY
D 07/11/07	MODIFIED TO MEET THE 2004 FBC	JWJ
C 10/22/02	ADDED TRINITY LITE FRAME	ZRK
B 06/06/02	GENERAL REVISION	TJH
A 03/14/02	GENERAL REVISION	TJH

[Signature]
 7/19/07
 Eric S. Nielsen
 Florida P. E. No. 41323
 PTC, LLC
 1535 Cogswell Street, Suite C25
 Rockledge, Florida 32955
 FBPE Certificate of Authorization No. 25935

Prepared By:
PTC
 PTC, LLC
 Phone: 321-690-1788
 Fax: 321-690-1789

DATE: 9-11-01
 SCALE: N.T.S.
 DWG. BY: JWJ
 CHK. BY: S. SAFFELL
 DRAWING NO.: S-2104
 SHEET 6 OF 8

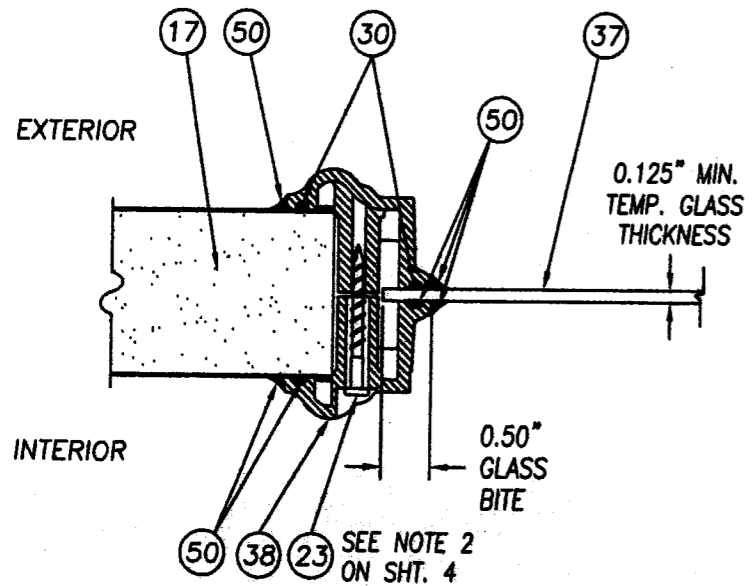
PRODUCT REVISED
 as complying with the Florida
 Building Code
 Acceptance No. 07-0731-04
 Expiration Date 08/15/2012
 By *[Signature]*
 Miami Trade Product Control
 Division

JELD-WEN, INC.
3737 LAKEPORT BLVD.
KLAMATH FALLS, OR. 97601
PH. 541.882.3451

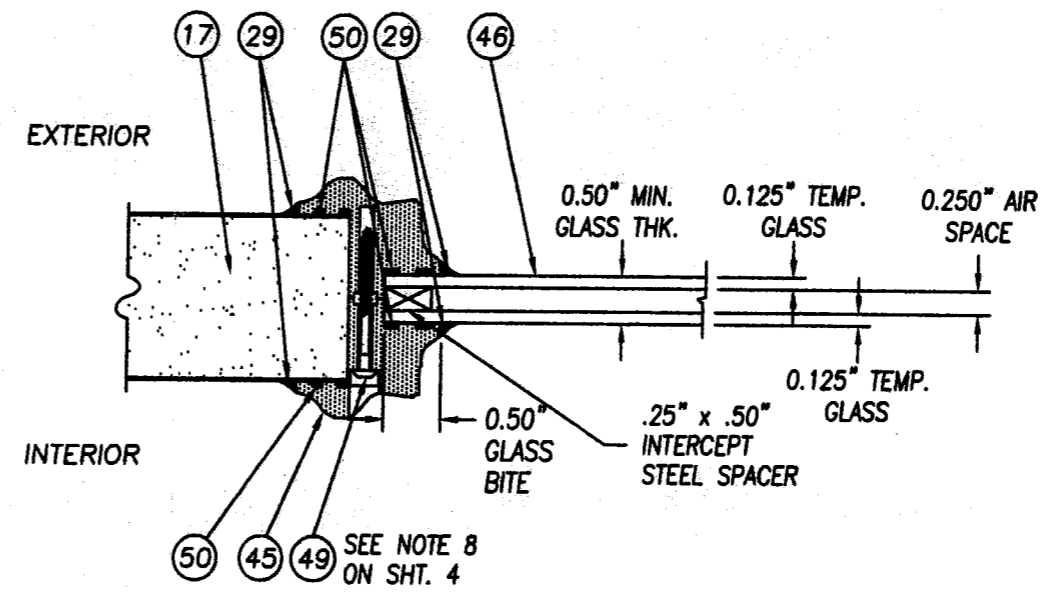
PRODUCT: WOOD EDGE OPAQUE STEEL OUTSWING
 IMPACT DOOR UP TO 9'-0" x 6'-8"
 WITH & WITHOUT NON-IMPACT SIDELITES
 PART OR ASSEMBLY: GLAZING DETAILS

#	DATE	REVISIONS	BY
D 07/11/07		MODIFIED TO MEET THE 2004 FBC	JWJ
C 10/22/02		ADDED TRINITY LITE FRAME	ZRK
B 06/06/02		GENERAL REVISION	TJH
A 03/14/02		GENERAL REVISION	TJH

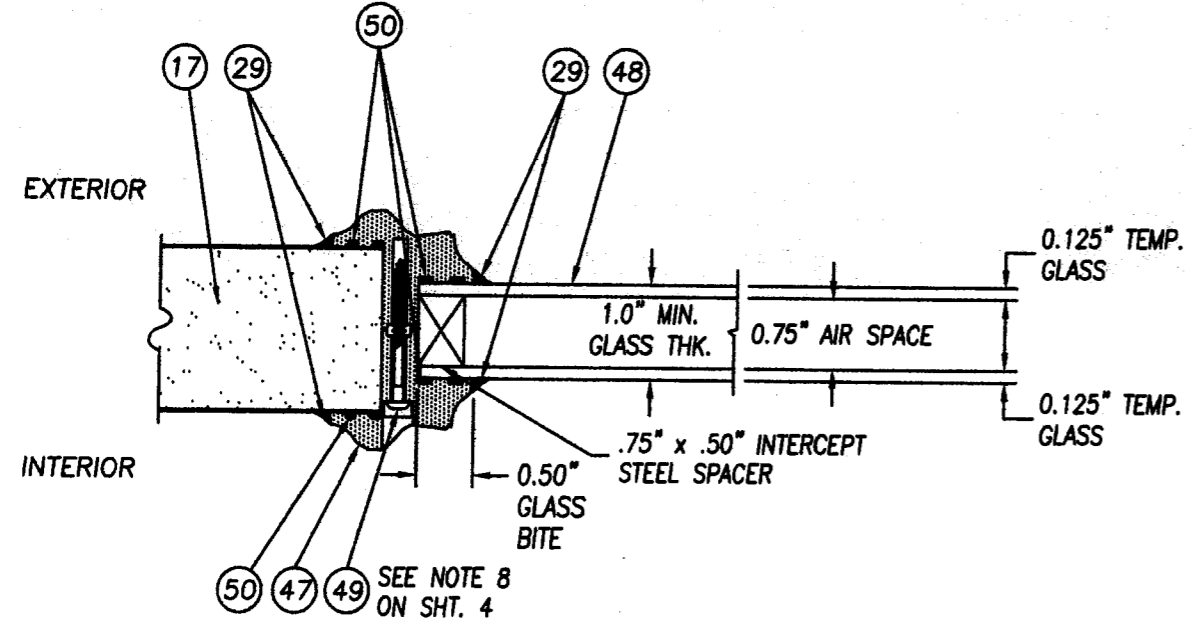
DATE:	9-11-01
SCALE:	N.T.S.
DWG. BY:	JWJ
CHK. BY:	S. SAFFELL
DRAWING NO.:	S-2104
SHEET	7 OF 8



GLAZING DETAIL 1
 ODL LITE FRAME SINGLE PANE
 1/8" TEMPERED GLASS
 SPARTECH
 POLYCOM PP5530 C13
 (38)



GLAZING DETAIL 2
 TRINITY LITE FRAME
 1/2" INSULATED TEMPERED GLASS
 LUPOY EU-5007
 (45)



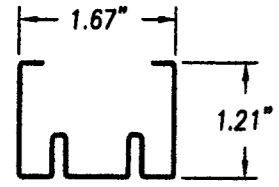
GLAZING DETAIL 3
 TRINITY LITE FRAME
 1" INSULATED TEMPERED GLASS
 LUPOY EU-5007
 (47)

PRODUCT REVISED
 as complying with the Florida
 Building Code
 Acceptance No. 08-1015-05
 Expiration Date 08/15/2012
 By *[Signature]*
 Miami Trade Product Control
 Division

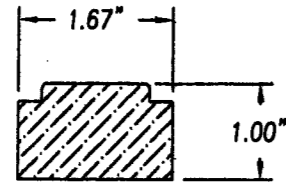
[Signature]
 Eric S. Nielsen
 Florida P. E. No. 41323
 PTC, LLC
 1535 Cogswell Street, Suite C25
 Rockledge, Florida 32955
 FBPE Certificate of Authorization NO. 25935

Prepared By:
PTC
 PTC, LLC
 Phone: 321-690-1788
 Fax: 321-690-1789

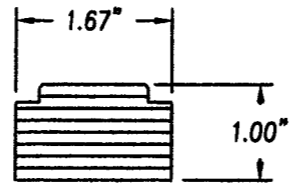
PRODUCT REVISED
 as complying with the Florida
 Building Code
 Acceptance No. 07-0731.04
 Expiration Date 08/15/2012
 By *[Signature]*
 Miami Dade Product Control
 Division



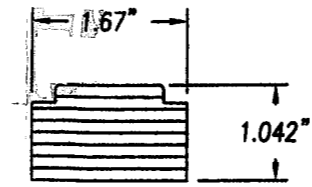
12 DOOR BOTTOM RAIL
 24GA (0.021") STEEL



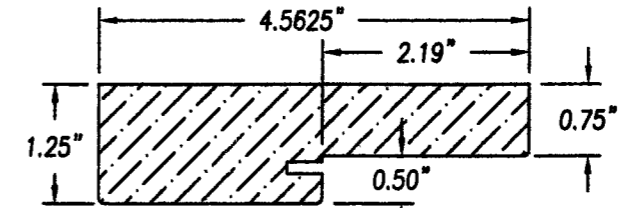
13 DOOR HINGE STILE
 FINGER JOINTED PONDEROSA
 PINE WOOD



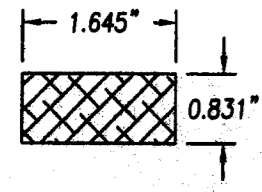
7 DOOR LATCH STILE
 LVL



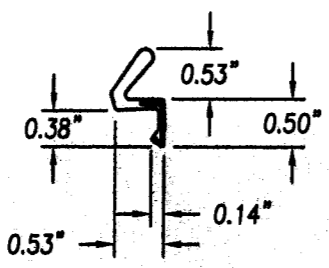
11 DOOR TOP RAIL
 LVL



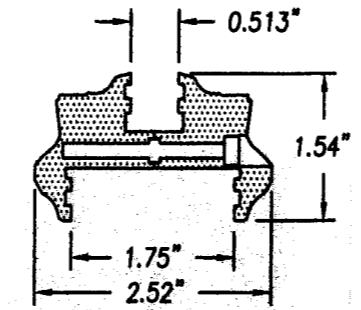
2 3 WOOD JAMB
 4 44 FINGER JOINTED
 PONDEROSA PINE



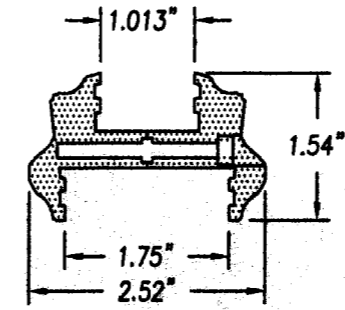
33 CORNER BLOCK FOR
 STEEL BOTTOM RAIL
 MDF x 3.0" LONG



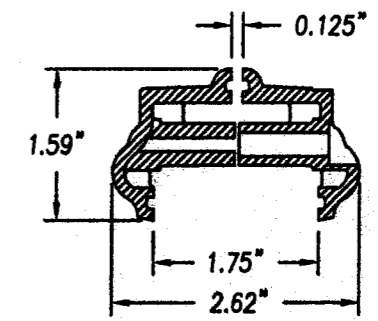
10 COMPRESSION WEATHERSR TIP
 SCHLEGEL Q-LON QDS 650



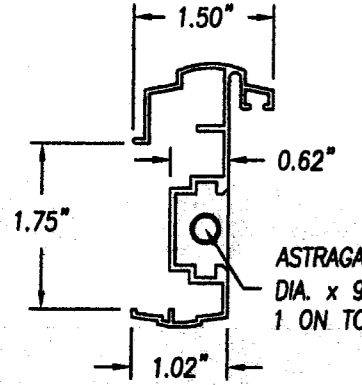
45 1/2" I.G. TRINITY LITE FRAME
 POLYPROP.



47 1" I.G. TRINITY LITE FRAME
 POLYPROP.

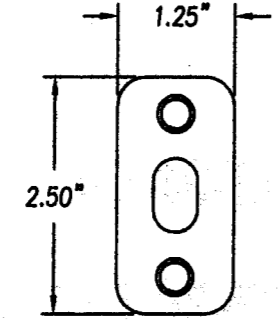


38 1/8" S.G. ODL LITE FRAME
 POLYPROP.

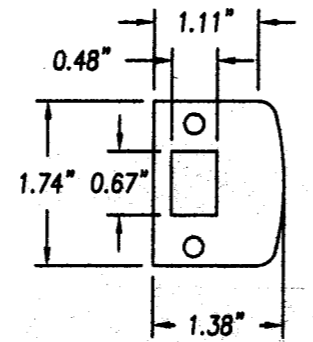


ASTRAGAL HAS TWO 0.3125"
 DIA. x 9" LONG BOLTS;
 1 ON TOP, 1 ON BOTTOM

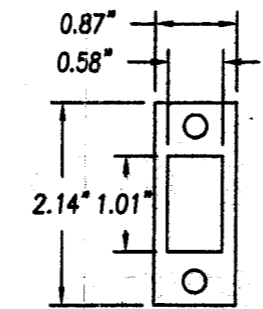
40 ASTRAGAL (IMPERIAL)
 6063-T6 ALUMINUM



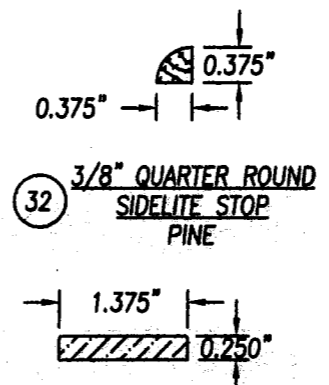
41 ASTRAGAL STRIKE PLATE
 (IMPERIAL 0.125" STEEL)



52 DOOR LATCH STRIKE PLATE
 STEEL

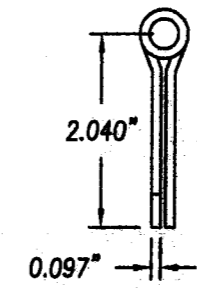


53 DOOR LATCH DEAD
 BOLT STRIKE PLATE
 STEEL

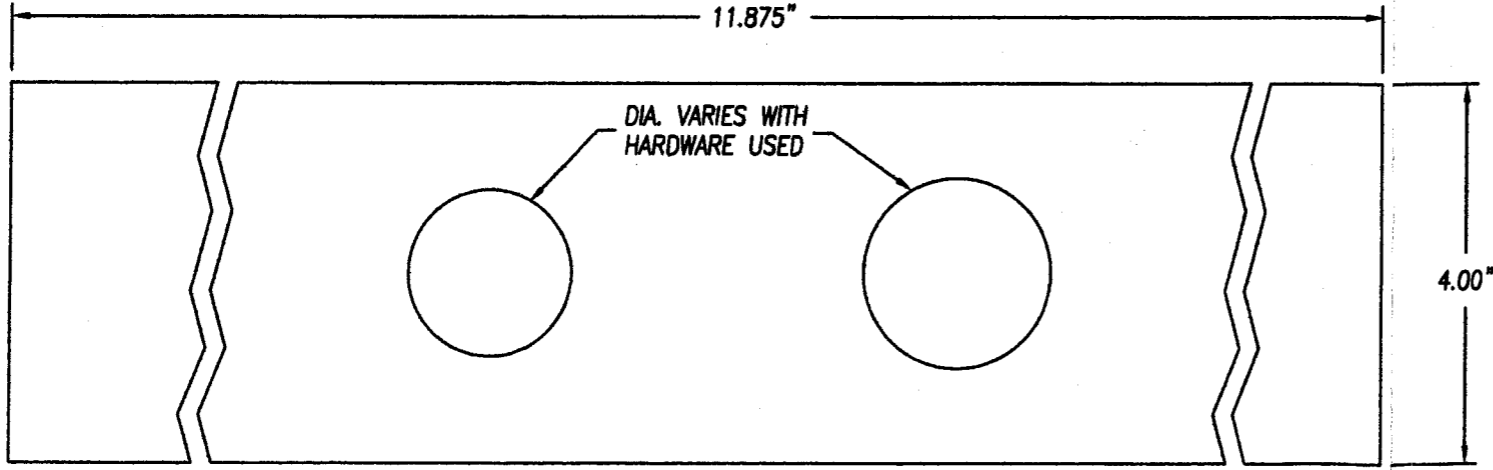


32 3/8" QUARTER ROUND
 SIDELITE STOP
 PINE

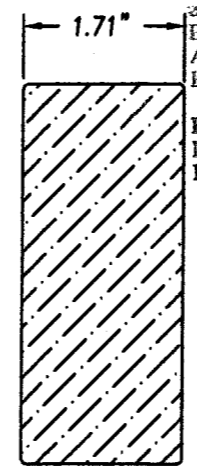
28 MULLION CAP
 PINE (81.25" LONG)



5 HAGER STEEL BUTT HINGE
 4" x 4" x 0.097" THK. STEEL



15 WOOD LOCK BLOCK
 FINGER JOINTED PONDEROSA PINE



8 OUTSWING STANDARD BUMP FACE THRESHOLD
 EXTRUDED ALUMINUM - BY PEMKO
 WITH WOOD INSERT

PRODUCT REVISED
 as complying with the Florida
 Building Code
 Acceptance No. 08-1015.05
 Expiration Date 08/15/2012
 By *[Signature]*
 Miami Dade Product Control
 Division

[Signature]
 Eric S. Nielsen
 Florida P. E. No. 41323
 PTC, LLC
 1535 Cogswell Street, Suite C25
 Rockledge, Florida 32955
 FBPE Certificate of Authorization No. 25935

Prepared By:
PTC
 PTC, LLC
 Phone: 321-690-1788
 Fax: 321-690-1789

JELD-WEN, INC.
 3737 LAKEPORT BLVD.
 KLAMATH FALLS, OR. 97601
 PH. 541.882.3451

PRODUCT: WOOD EDGE OPAQUE STEEL OUTSWING
 IMPACT DOOR UP TO 9'-0" x 6'-8"
 WITH & WITHOUT NON-IMPACT SIDELITES
 PART OR ASSEMBLY: UNIT COMPONENTS

REV	DATE	BY	REVISIONS
D	07/11/07	JWJ	MODIFIED TO MEET THE 2004 FBC
C	10/22/02	ZRK	ADDED TRINITY LITE FRAME
B	06/06/02	TJH	GENERAL REVISION
A	03/14/02	TJH	GENERAL REVISION

DATE: 9-11-01
 SCALE: N.T.S.
 DWG. BY: JWJ
 CHK. BY: S. SAFFELL
 DRAWING NO.: S-2104
 SHEET 8 OF 8