



MIAMI-DADE COUNTY
BUILDING CODE COMPLIANCE OFFICE (BCCO)
PRODUCT CONTROL DIVISION

MIAMI-DADE COUNTY, FLORIDA
METRO-DADE FLAGLER BUILDING
140 WEST FLAGLER STREET, SUITE 1603
MIAMI, FLORIDA 33130-1563
(305) 375-2901 FAX (305) 372-6339

NOTICE OF ACCEPTANCE (NOA)

www.miamidade.gov/buildingcode

ES Windows LLC
10653 NE Quaybridge Ct.
Miami, FL 33138

SCOPE:

This NOA is being issued under the applicable rules and regulations governing the use of construction materials. The documentation submitted has been reviewed by Miami-Dade County Product Control Division and accepted by the Board of Rules and Appeals (BORA) to be used in Miami Dade County and other areas where allowed by the Authority Having Jurisdiction (AHJ).

This NOA shall not be valid after the expiration date stated below. The Miami-Dade County Product Control Division (In Miami Dade County) and/or the AHJ (in areas other than Miami Dade County) reserve the right to have this product or material tested for quality assurance purposes. If this product or material fails to perform in the accepted manner, the manufacturer will incur the expense of such testing and the AHJ may immediately revoke, modify, or suspend the use of such product or material within their jurisdiction. BORA reserves the right to revoke this acceptance, if it is determined by Miami-Dade County Product Control Division that this product or material fails to meet the requirements of the applicable building code. This product is approved as described herein, and has been designed to comply with the Florida Building Code, including the High Velocity Hurricane Zone.

DESCRIPTION: Series "V1000 Tilt" White PVC Single Hung Window – L.M.I.

APPROVAL DOCUMENT: Drawing No. **W10-28**, titled "Series V1000 PVC Single Hung Tilt Wdw. (L.M.I.)", sheets 1 to 8 of 8, dated 04/27/10, with revision A dated 09/24/10, prepared by Al-Farooq Corporation, signed and sealed by Javad Ahmad, P. E., bearing the Miami-Dade County Product Control approval stamp with the Notice of Acceptance number and approval date by the Miami-Dade County Product Control Division.

MISSILE IMPACT RATING: Large and Small Missile Impact Resistant.

LABELING: Each unit shall bear a permanent label with the manufacturer's name or logo, city, state and following statement: "Miami-Dade County Product Control Approved", unless otherwise noted herein.

RENEWAL of this NOA shall be considered after a renewal application has been filed and there has been no change in the applicable building code negatively affecting the performance of this product.

TERMINATION of this NOA will occur after the expiration date or if there has been a revision or change in the materials, use, and/or manufacture of the product or process. Misuse of this NOA as an endorsement of any product, for sales, advertising or any other purposes shall automatically terminate this NOA. Failure to comply with any section of this NOA shall be cause for termination and removal of NOA.

ADVERTISEMENT: The NOA number preceded by the words Miami-Dade County, Florida, and followed by the expiration date may be displayed in advertising literature. If any portion of the NOA is displayed, then it shall be done in its entirety.

INSPECTION: A copy of this entire NOA shall be provided to the user by the manufacturer or its distributors and shall be available for inspection at the job site at the request of the Building Official. This NOA consists of this page 1 and evidence pages E-1, as well as approval document mentioned above. The submitted documentation was reviewed by **Carlos M. Utrera, P.E.**



[Handwritten Signature]
 11/16/10

NOA No. 10-0629.05
Expiration Date: December 09, 2015
Approval Date: December 09, 2010
Page 1

NOTICE OF ACCEPTANCE: EVIDENCE SUBMITTED

A. DRAWINGS

1. Manufacturer's die drawings and sections.
2. Drawing No. **W10-28**, titled "Series V1000 PVC Single Hung Tilt Wdw. (L.M.I.)", sheets 1 to 8 of 8, dated 04/27/10, with revision A dated 09/24/10, prepared by Al-Farooq Corporation, signed and sealed by Javad Ahmad, P. E.

B. TESTS

1. Test reports on:
 - 1) Air Infiltration Test, per FBC, TAS 202-94
 - 2) Uniform Static Air Pressure Test, Loading per FBC TAS 202-94
 - 3) Water Resistance Test, per FBC, TAS 202-94
 - 4) Large Missile Impact Test per FBC, TAS 201-94
 - 5) Cyclic Wind Pressure Loading per FBC, TAS 203-94
 - 6) Forced Entry Test, per FBC 2411.3.2.1 (b) and TAS 202-94along with marked-up drawings and installation diagram of Model V1000 Tilt PVC Single Hung Windows, prepared by National Certified Testing Laboratories, Test Report No. **NCTL-110-12833-3**, dated 04/24/07, with revision dated 10/25/10, signed and sealed by Harold E. Rupp, P. E.

C. CALCULATIONS

1. Anchor verification calculations and structural analysis, complying with FBC-2007, dated 06/08/10, prepared by Al-Farooq Corporation, signed and sealed by Javad Ahmad, P. E.
Complies with ASTM E1300-04

D. QUALITY ASSURANCE

1. Miami-Dade Building Code Compliance Office (BCCO)

E. MATERIAL CERTIFICATIONS

1. Notice of Acceptance No. **08-0620.09** issued to Thermoplast for "White Rigid PVC Exterior Extrusions for Windows and Doors" dated 08/07/08, expiring on 07/05/12.

F. STATEMENTS

1. Statement letter of code conformance with FBC 2007 and no financial interest, issued by Al-Farooq Corporation, dated 06/08/10, signed and sealed by Javad Ahmad, P.E.

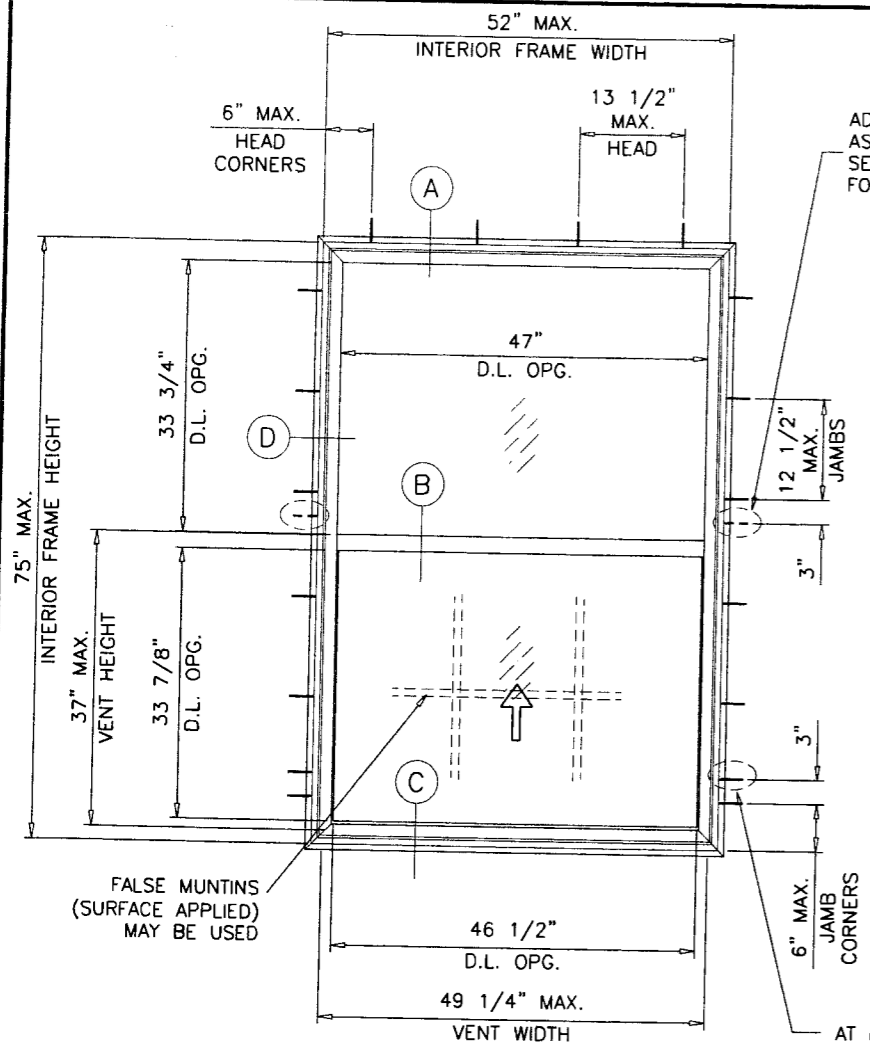
G. OTHERS

1. Distributor agreement dated 10/20/10.

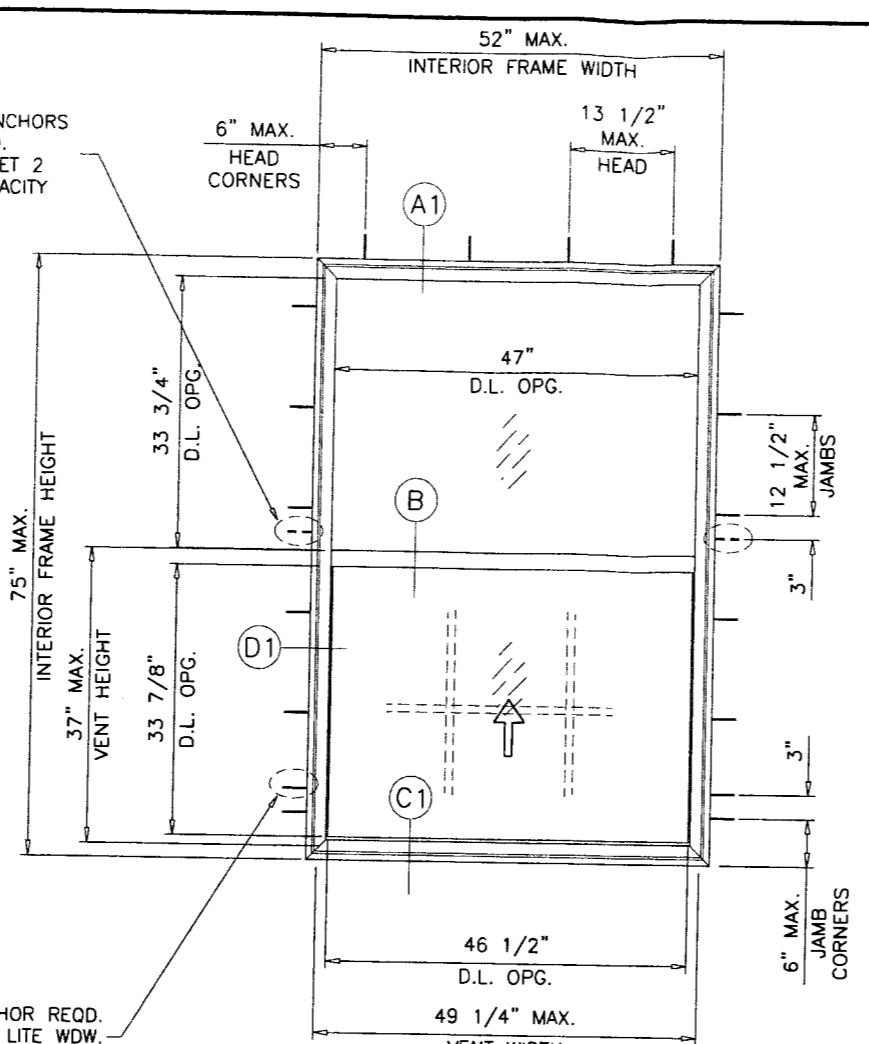


Carlos M. Utrera, P.E.
Product Control Examiner
NOA No. 10-0629.05

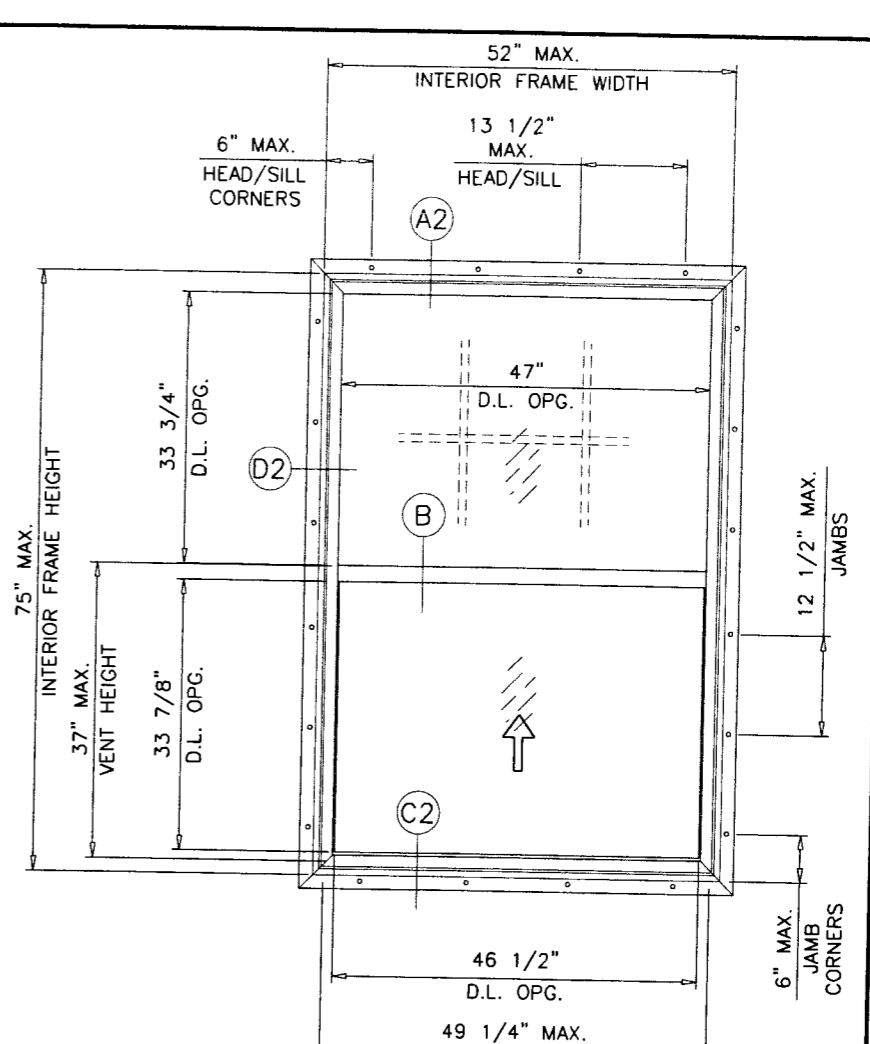
Expiration Date: December 09, 2015
Approval Date: December 09, 2010



FLANGE FRAMES



FLUSH FRAMES



FIN FRAMES

THESE WINDOWS ARE RATED FOR LARGE & SMALL MISSILE IMPACT. SHUTTERS ARE NOT REQUIRED.

SERIES V1000 PVC SINGLE HUNG TILT WINDOW

DESIGN LOAD RATINGS FOR THESE WINDOWS TO BE AS PER CHARTS SHOWN ON SHEET 2.

APPROVAL APPLIES TO SINGLE UNITS OR SIDE BY SIDE COMBINATIONS OF S.H./S.H. OR SINGLE HUNG WITH OTHER WINDOW TYPES IN MODULES OF TWO OR MORE WINDOWS USING MIAMI-DADE COUNTY APPROVED CLIPPED MULLIONS IN BETWEEN. LOWER DESIGN PRESSURE FROM WINDOWS OR MULLION APPROVAL WILL APPLY TO ENTIRE SYSTEM.

THIS PRODUCT HAS BEEN DESIGNED AND TESTED TO COMPLY WITH THE REQUIREMENTS OF THE FLORIDA BUILDING CODE 2007 EDITION INCLUDING HIGH VELOCITY HURRICANE ZONE (HVHZ).

WOOD BUCKS BY OTHERS, MUST BE ANCHORED PROPERLY TO TRANSFER LOADS TO THE STRUCTURE.

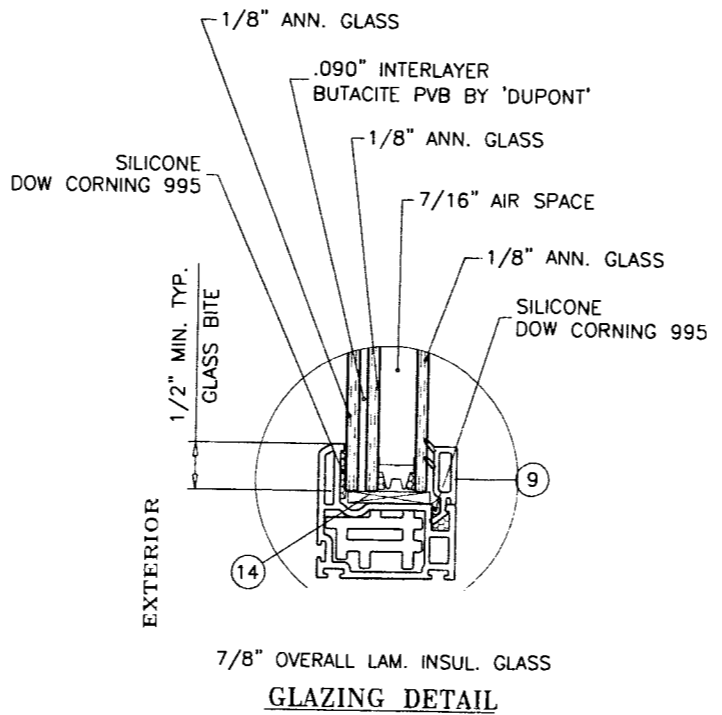
ANCHORS SHALL BE AS LISTED, SPACED AS SHOWN ON DETAILS, ANCHORS EMBEDMENT TO BASE MATERIAL SHALL BE BEYOND WALL DRESSING OR STUCCO.

ANCHORING OR LOADING CONDITIONS NOT SHOWN IN THESE DETAILS ARE NOT PART OF THIS APPROVAL.

A LOAD DURATION INCREASE IS USED IN DESIGN OF ANCHORS INTO WOOD ONLY.

MATERIALS INCLUDING BUT NOT LIMITED TO STEEL/METAL SCREWS, THAT COME INTO CONTACT WITH OTHER DISSIMILAR MATERIALS SHALL MEET THE REQUIREMENTS OF 2007 FLORIDA BLDG. CODE SECTION 2003.8.4.

TYPICAL ELEVATIONS



GLAZING DETAIL

DAYLITE OPENINGS:

DLO WIDTH = INTERIOR FRAME WIDTH - 5.000 (FIX. LITE)
 DLO WIDTH = VENT WIDTH - 2.750 (VENT)

$$DLO \text{ HEIGHT} = \frac{WINDOW \text{ HT} - 7.375}{2}$$

**LAMINATED INSULATING GLASS
 LARGE & SMALL MISSILE IMPACT**

Engr: JAVAD AHMAD
 CIVIL
 FLA. PE # 70592
 C.A.N. 3538
 NOV 08 2010
JA

Approved as complying with the
 Florida Building Code
 Date 12/09/2010
 NOA# 10-0629.05
 Miami Dade Product Control
 Division
 By *[Signature]*

AL-FAROOQ CORPORATION
 ENGINEERS & PRODUCT DEVELOPMENT
 1235 S.W. 87 AVE
 MIAMI, FLORIDA 33174
 TEL. (305) 264-8100 FAX. (305) 262-6978

SERIES V1000 PVC SINGLE HUNG TILT WDW. (L.M.I.)
E.S. WINDOWS, LLC
 5220 N.W. 72 AVE. BAY #4
 MIAMI, FL. 33166
 TEL. (305) 624-7775 FAX. (305) 624-7777

no	date	description
A	09.24.10	REV. PER BCCO COMMENTS

date: 04-27-10
 scale: 1/2" = 1'-0"
 dr. by: HAMID
 chk. by:

drawing no.
W10-28
 sheet 1 of 8

COMP-ANL W10-28ES

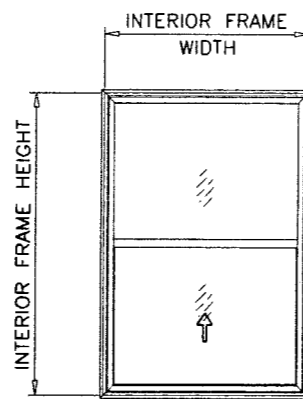
FLANGE AND FLUSH FRAMES EQUAL LITES WINDOWS				
DESIGN LOAD CAPACITY - PSF				
INTERIOR FRAME DIMENSIONS		7/8" OVERALL LAM. INSUL. GLASS		
WIDTH	HEIGHT	EXT.(+)	INT.(-)	
18-1/8"	25"	70.0	70.0	
25-1/2"		70.0	70.0	
36"		(3)	70.0	70.0
41"		(3)	70.0	70.0
47"		(3)	70.0	70.0
52-1/8"		70.0	70.0	
18-1/8"	37-3/8"	70.0	70.0	
25-1/2"		70.0	70.0	
36"		(5)	70.0	70.0
41"		(5)	70.0	70.0
47"		(5)	70.0	70.0
52-1/8"		70.0	70.0	
18-1/8"	49-5/8"	70.0	70.0	
25-1/2"		70.0	70.0	
36"		(5)	70.0	70.0
41"		(5)	70.0	70.0
47"		(5)	70.0	70.0
52-1/8"		70.0	70.0	
18-1/8"	58"	70.0	70.0	
25-1/2"		70.0	70.0	
36"		(7)	70.0	70.0
41"		(7)	70.0	70.0
47"		(7)	70.0	70.0
52-1/8"		70.0	70.0	
18-1/8"	62"	70.0	70.0	
25-1/2"		70.0	70.0	
36"		(7)	70.0	70.0
41"		(7)	70.0	70.0
47"		(7)	70.0	70.0
52-1/8"		67.6	67.6 *	
18-1/8"	73-1/4"	70.0	70.0	
25-1/2"		70.0	70.0	
36"		(7)	70.0	70.0
41"		(7)	70.0	70.0
47"		(7)	70.0	70.0
52-1/8"		62.5	62.5 *	
18-1/8"	75"	70.0	70.0	
25-1/2"		70.0	70.0	
36"		(7)	70.0	70.0
41"		(7)	70.0	70.0
47"		(7)	70.0	70.0
52-1/8"		62.2	62.2 *	

NO. IN PARENTHESIS INDICATE NO. OF ANCHORS PER JAMB.

FIN FRAMES EQUAL LITES WINDOWS				
DESIGN LOAD CAPACITY - PSF				
INTERIOR FRAME DIMENSIONS		7/8" OVERALL LAM. INSUL. GLASS		
WIDTH	HEIGHT	EXT.(+)	INT.(-)	
18-1/8"	25"	70.0	70.0	
25-1/2"		70.0	70.0	
36"		(2)	70.0	70.0
41"		(2)	70.0	70.0
47"		(2)	70.0	70.0
52-1/8"		70.0	70.0	
18-1/8"	37-3/8"	70.0	70.0	
25-1/2"		70.0	70.0	
36"		(3)	70.0	70.0
41"		(3)	70.0	70.0
47"		(3)	70.0	70.0
52-1/8"		70.0	70.0	
18-1/8"	49-5/8"	70.0	70.0	
25-1/2"		70.0	70.0	
36"		(4)	70.0	70.0
41"		(4)	70.0	70.0
47"		(4)	70.0	70.0
52-1/8"		70.0	70.0	
18-1/8"	58"	70.0	70.0	
25-1/2"		70.0	70.0	
36"		(5)	70.0	70.0
41"		(5)	70.0	70.0
47"		(5)	70.0	70.0
52-1/8"		70.0	70.0	
18-1/8"	62"	70.0	70.0	
25-1/2"		70.0	70.0	
36"		(5)	70.0	70.0
41"		(5)	70.0	70.0
47"		(5)	70.0	70.0
52-1/8"		70.0	70.0	
18-1/8"	73-1/4"	70.0	70.0	
25-1/2"		70.0	70.0	
36"		(6)	70.0	70.0
41"		(6)	70.0	70.0
47"		(6)	70.0	70.0
52-1/8"		70.0	70.0	
18-1/8"	75"	70.0	70.0	
25-1/2"		70.0	70.0	
36"		(6)	70.0	70.0
41"		(6)	70.0	70.0
47"		(6)	70.0	70.0
52-1/8"		70.0	70.0	

NO. IN PARENTHESIS INDICATE NO. OF ANCHORS PER JAMB.

* MAX. DESIGN LOAD CAPACITY = ±70 PSF WITH ADDITIONAL ANCHOR AT JAMBS SEE ELEVATIONS ON SHEET 1



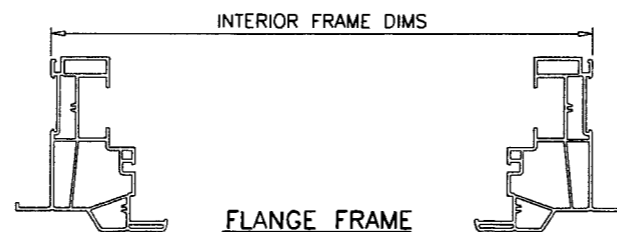
EQUAL LITES

FLANGE AND FLUSH FRAMES UNEQUAL LITES WINDOWS				
DESIGN LOAD CAPACITY - PSF				
INTERIOR FRAME DIMENSIONS		7/8" OVERALL LAM. INSUL. GLASS		
WIDTH	HEIGHT	EXT.(+)	INT.(-)	
18-1/8"	49-5/8"	70.0	70.0	
25-1/2"		70.0	70.0	
36"		(5)	70.0	70.0
41"		(5)	70.0	70.0
47"		(5)	70.0	70.0
52-1/8"		70.0	70.0	
18-1/8"	58"	70.0	70.0	
25-1/2"		70.0	70.0	
36"		(6)	70.0	70.0
41"		(6)	70.0	70.0
47"		(6)	70.0	70.0
52-1/8"		70.0	70.0	
18-1/8"	62"	70.0	70.0	
25-1/2"		70.0	70.0	
36"		(6)	70.0	70.0
41"		(6)	70.0	70.0
47"		(6)	70.0	70.0
52-1/8"		70.0	70.0	
18-1/8"	73-1/4"	70.0	70.0	
25-1/2"		70.0	70.0	
36"		(7)	70.0	70.0
41"		(7)	70.0	70.0
47"		(7)	70.0	70.0
52-1/8"		70.0	70.0	
18-1/8"	75"	70.0	70.0	
25-1/2"		70.0	70.0	
36"		(7)	70.0	70.0
41"		(7)	70.0	70.0
47"		(7)	70.0	70.0
52-1/8"		70.0	70.0	

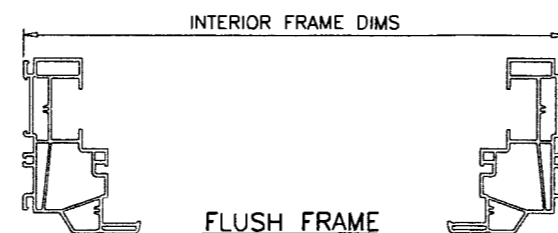
NO. IN PARENTHESIS INDICATE NO. OF ANCHORS PER JAMB.

FIN FRAMES UNEQUAL LITES WINDOWS				
DESIGN LOAD CAPACITY - PSF				
INTERIOR FRAME DIMENSIONS		7/8" OVERALL LAM. INSUL. GLASS		
WIDTH	HEIGHT	EXT.(+)	INT.(-)	
18-1/8"	49-5/8"	70.0	70.0	
25-1/2"		70.0	70.0	
36"		(4)	70.0	70.0
41"		(4)	70.0	70.0
47"		(4)	70.0	70.0
52-1/8"		70.0	70.0	
18-1/8"	58"	70.0	70.0	
25-1/2"		70.0	70.0	
36"		(5)	70.0	70.0
41"		(5)	70.0	70.0
47"		(5)	70.0	70.0
52-1/8"		70.0	70.0	
18-1/8"	62"	70.0	70.0	
25-1/2"		70.0	70.0	
36"		(5)	70.0	70.0
41"		(5)	70.0	70.0
47"		(5)	70.0	70.0
52-1/8"		70.0	70.0	
18-1/8"	73-1/4"	70.0	70.0	
25-1/2"		70.0	70.0	
36"		(6)	70.0	70.0
41"		(6)	70.0	70.0
47"		(6)	70.0	70.0
52-1/8"		70.0	70.0	
18-1/8"	75"	70.0	70.0	
25-1/2"		70.0	70.0	
36"		(6)	70.0	70.0
41"		(6)	70.0	70.0
47"		(6)	70.0	70.0
52-1/8"		70.0	70.0	

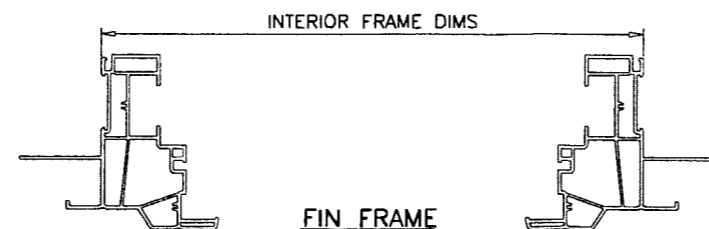
NO. IN PARENTHESIS INDICATE NO. OF ANCHORS PER JAMB.



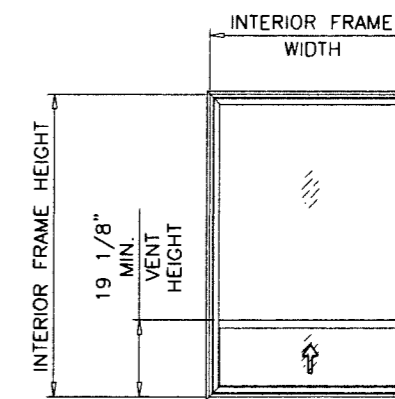
FLANGE FRAME



FLUSH FRAME



FIN FRAME



UNEQUAL LITES (ORIEL TYPE)

NOTE: GLASS CAPACITIES ON THIS SHEET ARE BASED ON ASTM E1300-04 (3 SEC. GUSTS) AND FLORIDA BUILDING COMMISSION DECLARATORY STATEMENT DCA05-DEC-219

Engr: JAVAD AHMAD
CIVIL
FLA. PE # 70592
C.A.N. 3538
NOV 08 2010

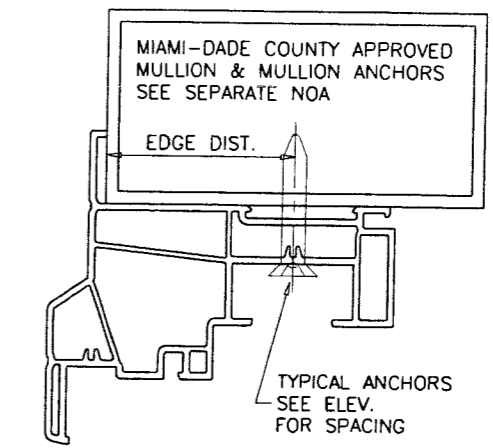
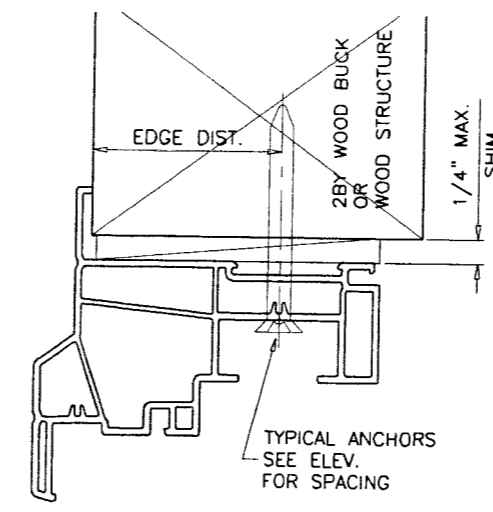
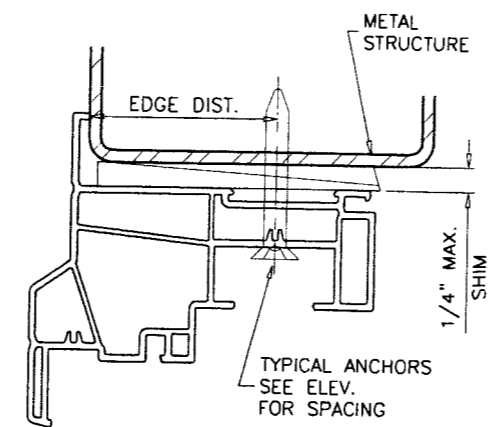
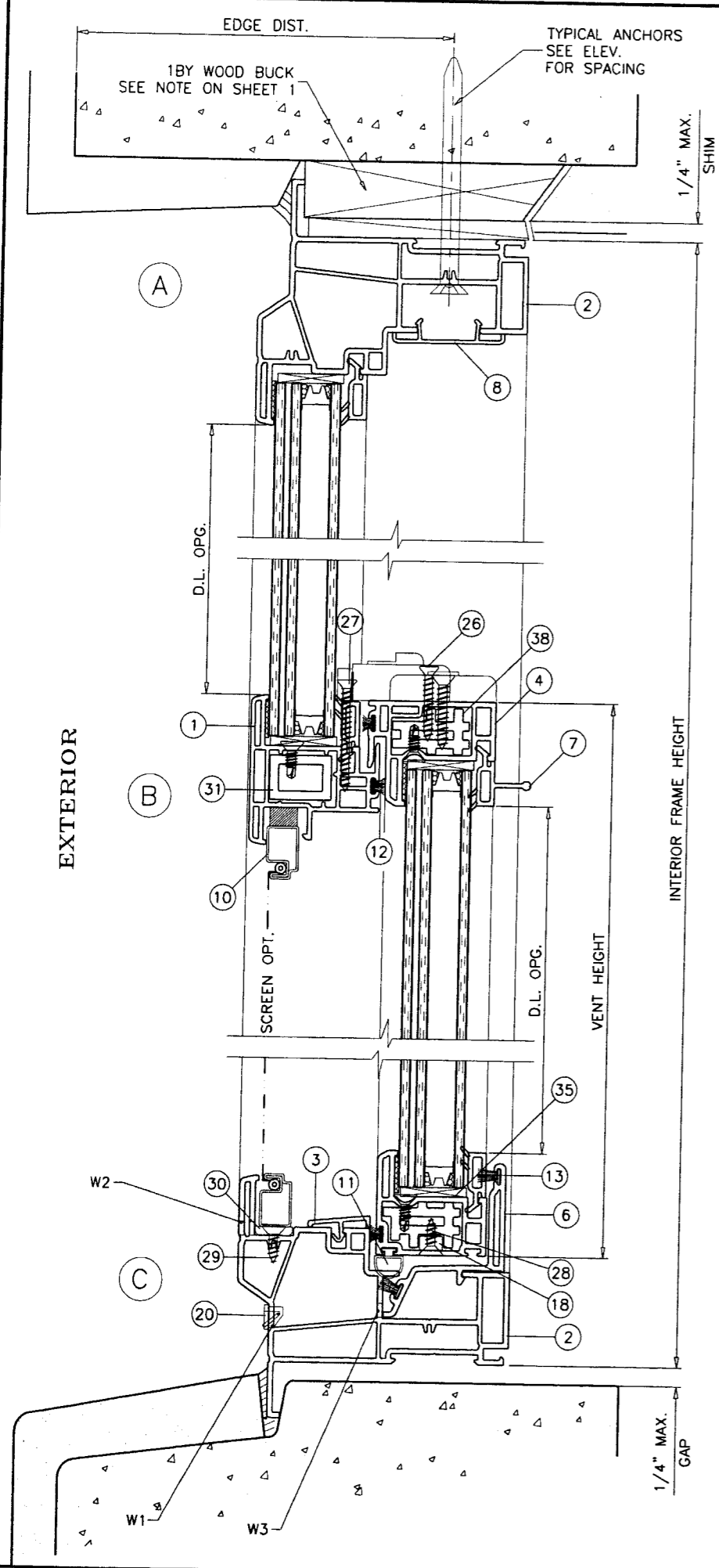
Approved as complying with the Florida Building Code
Date 12/09/2010
NOA# 10-0627.05
Miami Dept. Product Control
By *[Signature]*

afC
AL-FAROOQ CORPORATION
ENGINEERS & PRODUCT DEVELOPMENT
1235 S.W. 87 AVE
MIAMI, FLORIDA 33174
TEL. (305) 264-8100 FAX. (305) 262-6978
COMP-ANL\W10-28ES

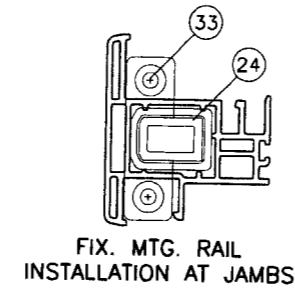
SERIES V1000 PVC SINGLE HUNG TILT WDW. (L.M.I.)
E.S. WINDOWS, LLC
5220 N.W. 72 AVE. BAY #4
MIAMI, FL. 33166
TEL. (305) 624-7775 FAX. (305) 624-7777

no.	date	by	description
A	09/24/10		REV. PER BCCO COMMENTS

revisions:
date: 04-27-10
scale: 1/2" = 1"
dr. by: HAMID
chk. by:
drawing no. **W10-28**
sheet 2 of 8



WOOD BUCKS AND METAL STRUCTURE NOT BY ES WINDOWS
MUST SUSTAIN LOADS IMPOSED BY GLAZING SYSTEM
AND TRANSFER THEM TO THE BUILDING STRUCTURE.



WEEPHOLES:

- W1 = 1/4" X 1" WEEP SLOT AT 3-1/2" FROM EACH END WITH PLASTIC BAFFLE.
- W2 = 3/16" X 1" WEEP SLOT AT 1" FROM EACH END
- W3 = 3/16" X 3/4" WEEP SLOT AT 1-3/4" FROM EACH END

SEALANT:

ALL JOINTS AND FRAME CONNECTIONS SEALED WITH SILICONE SEALANT.

TYPICAL ANCHORS:

FLANGE AND FLUSH FRAMES: SEE ELEV. FOR SPACING

1/4" DIA. TAPCON BY 'ITW' (Fu=120 KSI, Fy=92 KSI)

1/4" DIA. ULTRACON BY 'ELCO' (Fu=177 KSI, Fy=155 KSI)

INTO 2BY WOOD BUCKS OR WOOD STRUCTURES
1-3/8" MIN. PENETRATION INTO WOOD

THRU 1BY BUCKS INTO CONC. OR MASONRY
1-1/4" MIN. EMBED INTO CONC. OR MASONRY

DIRECTLY INTO CONC. OR MASONRY
1-1/4" MIN. EMBED INTO CONC. OR MASONRY

#12 SMS OR SELF DRILLING SCREWS (GRADE 2 CRS)

INTO MIAMI-DADE COUNTY APPROVED MULLIONS (MIN. THK. = 1/8")

INTO METAL STRUCTURES

STEEL : 12 GA. MIN. (Fy = 36 KSI MIN.)

ALUMINUM : 1/8" THK. MIN. (6063-T5 MIN.)

(STEEL IN CONTACT WITH ALUMINUM TO BE PLATED OR PAINTED)

TYPICAL EDGE DISTANCE

INTO CONCRETE AND MASONRY = 2" MIN.

INTO WOOD STRUCTURE = 1" MIN.

INTO METAL STRUCTURE = 3/4" MIN.

CONCRETE AT HEAD, SILL OR JAMBS f'c = 3000 PSI MIN.

C-90 HOLLOW/FILLED BLOCK AT JAMBS f'm = 2000 PSI MIN.

FLANGE FRAMES

Engr: JAVAD AHMAD
CIVIL
FLA. PE # 70592
C.A.N. 3538
NOV 08 2010

Approved as complying with the
Florida Building Code
Date 12/09/2010
NOA# 10-2629.05
Miami Dade Product Control
Division
By *[Signature]*

af c

AL-FAROOQ CORPORATION
ENGINEERS & PRODUCT DEVELOPMENT
1235 S.W. 87 AVE
MIAMI, FLORIDA 33174
TEL. (305) 264-8100 FAX. (305) 262-6978
COMP-ANL\W10-28ES

SERIES V1000 PVC SINGLE HUNG TILT WDW. (L.M.I.)

E.S. WINDOWS, LLC
5220 N.W. 72 AVE. BAY #4
MIAMI, FL. 33166
TEL. (305) 624-7775 FAX. (305) 624-7777

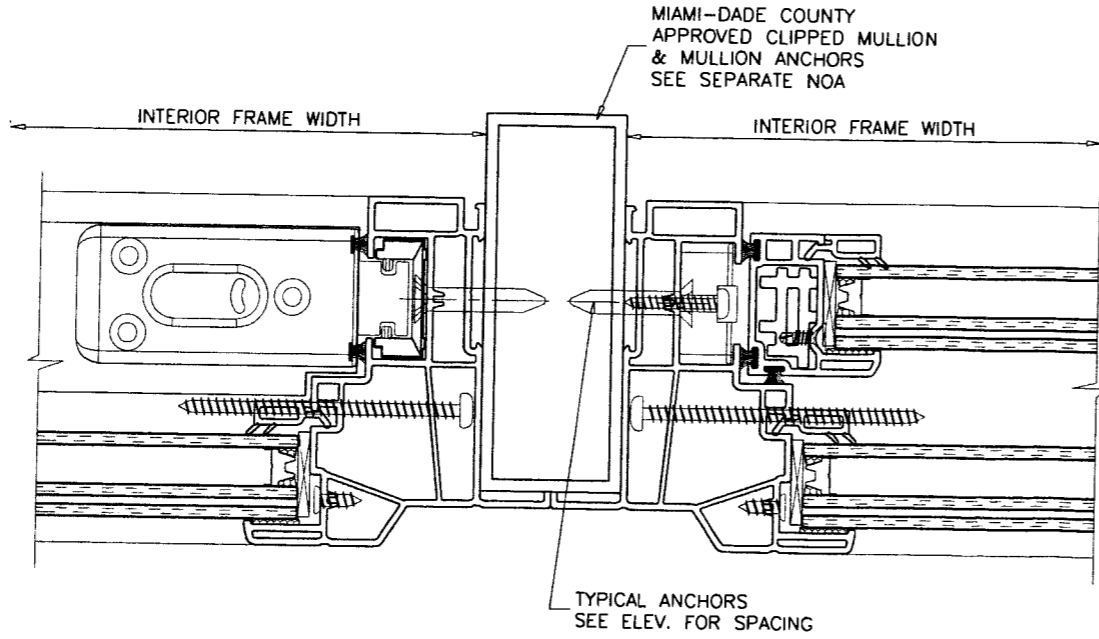
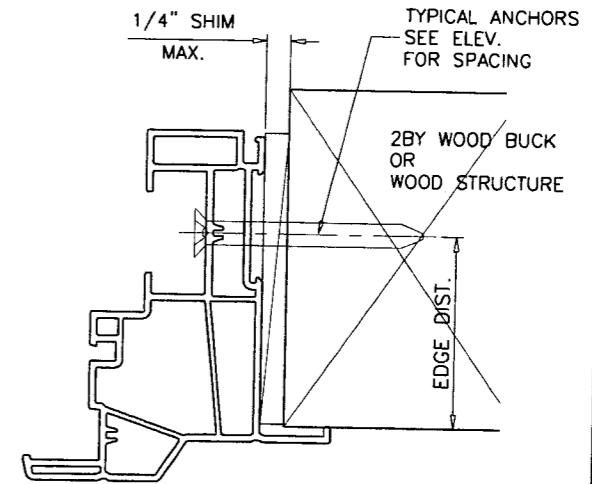
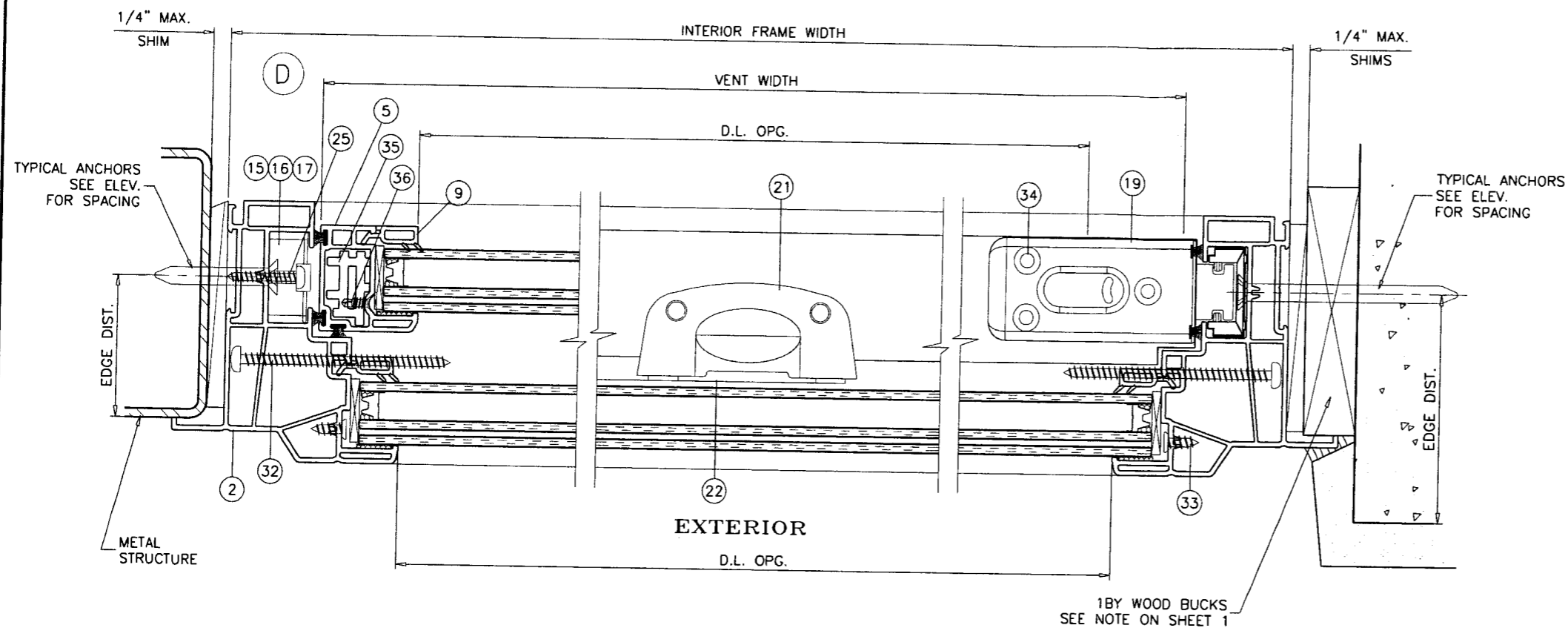
no	date	description	by
A	09/24/10	REV. PER BCCO COMMENTS	

revisions:

date: 04-27-10
scale: 1/2" = 1"
dr. by: HAMID
chk. by:

drawing no.
W10-28

sheet 3 of 8



Engr: JAVAD AHMAD
 CIVIL
 FLA. PE # 70592
 C.A.N. 3538

J.A.
 NOV 08 2010

FLANGE FRAMES

Approved as complying with the
 Florida Building Code
 Date 12/09/2010
 NOA# 10-0629.05
 Miami Dade Product Control
 Division
 By *[Signature]*

afC
AL-FAROOQ CORPORATION
 ENGINEERS & PRODUCT DEVELOPMENT
 1235 S.W. 87 AVE
 MIAMI, FLORIDA 33174
 TEL. (305) 264-8100 FAX. (305) 262-6978
 COMP-ANL\W10-28ES

SERIES V1000 PVC SINGLE HUNG TILT WDW. (L.M.I.)
E.S. WINDOWS, LLC
 5220 N.W. 72 AVE. BAY #4
 MIAMI, FL. 33166
 TEL. (305) 624-7775 FAX. (305) 624-7777

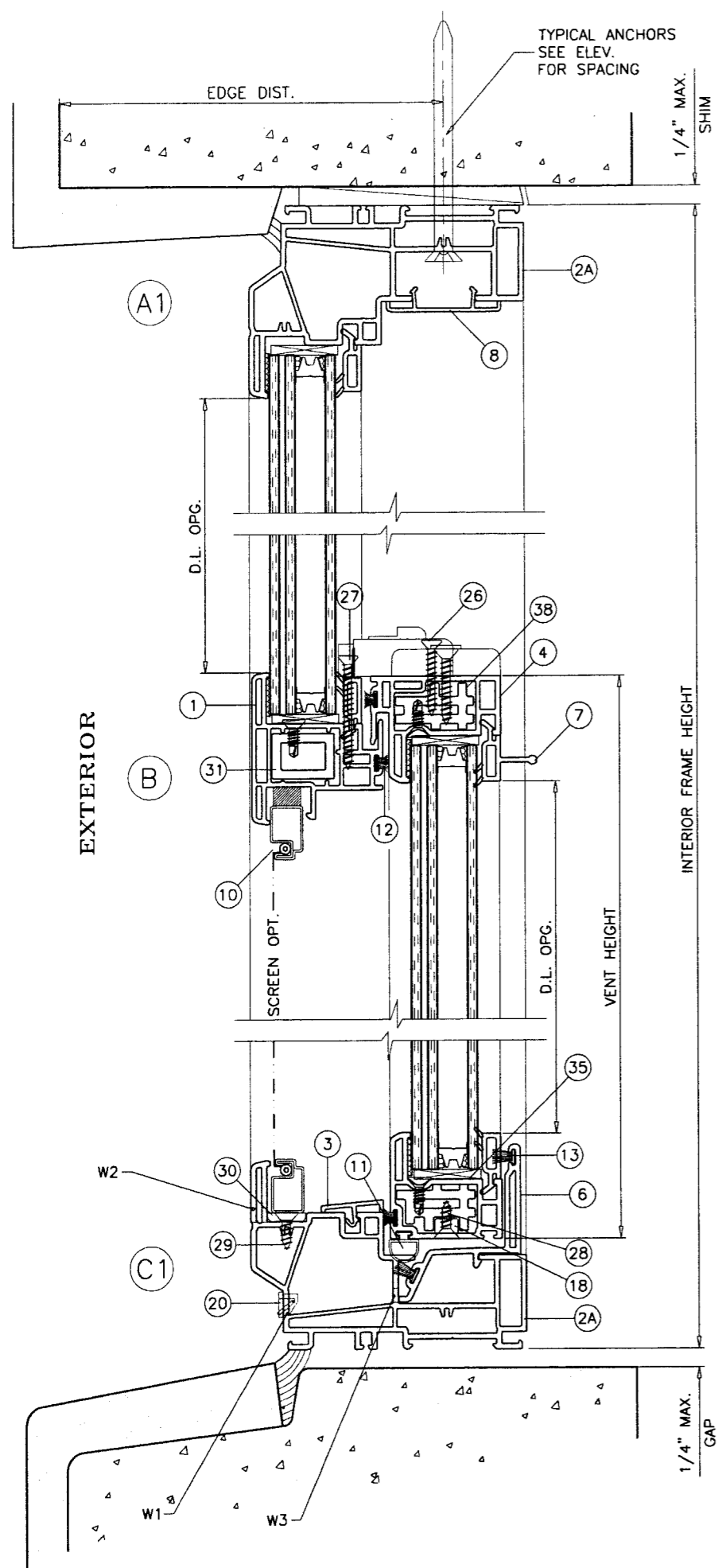
no	date	by	description
A	09.24.10		REV. PER BCCO COMMENTS

revisions:

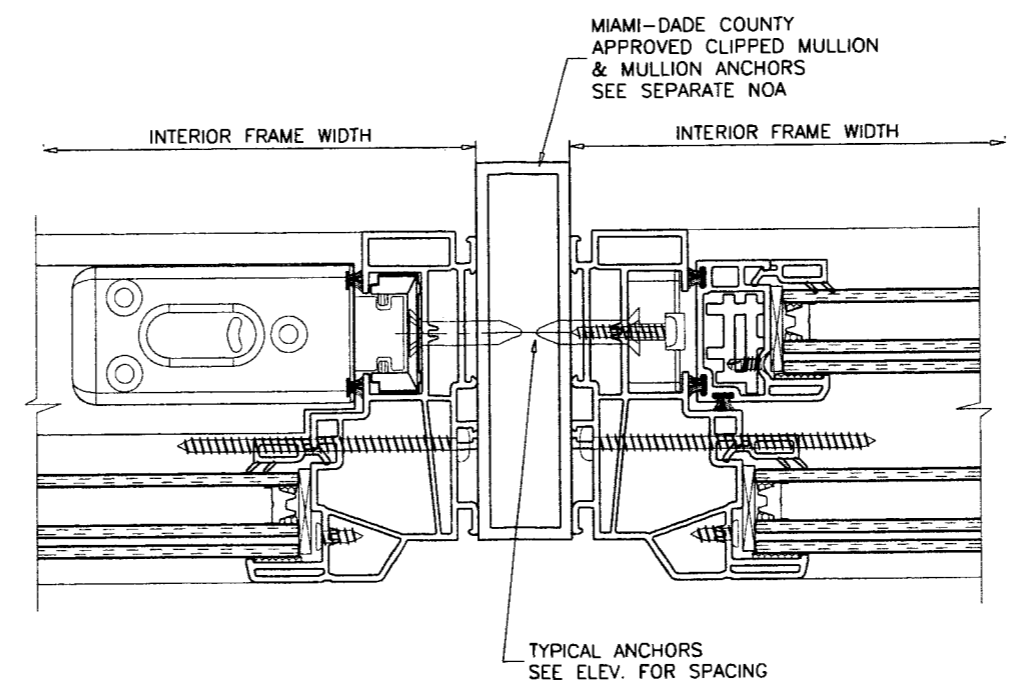
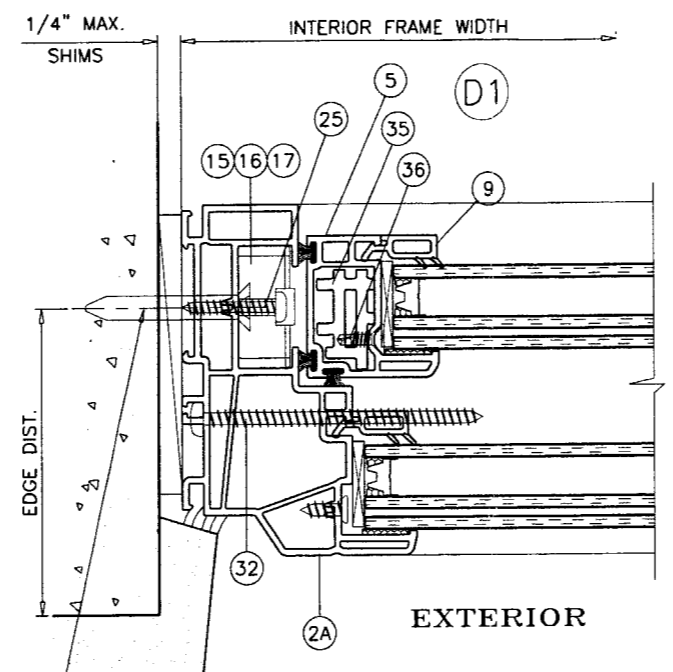
date: 04-27-10
 scale: 1/2" = 1"
 dr. by: HAMID
 chk. by:

drawing no.
W10-28

sheet 4 of 8



FLANGE AND FLUSH FRAMES CAN BE USED AT ALL ANCHORAGE CONDITIONS.



Engr: JAVAD AHMAD
 CIVIL
 FLA. PE # 70592
 C.A.N. 3538
 NOV 08 2010

FLUSH FRAMES

Approved as complying with the
 Florida Building Code
 Date 12/09/2010
 NOA# 10-0629.05
 Miami Dade Product Control
 Division
 By *[Signature]*

af c

AL-FAROOQ CORPORATION
 ENGINEERS & PRODUCT DEVELOPMENT
 1235 S.W. 87 AVE
 MIAMI, FLORIDA 33174
 TEL. (305) 264-8100 FAX. (305) 262-6978
 COMP-ANL\W10-28ES

SERIES V1000 PVC SINGLE HUNG TILT WD.W. (L.M.I.)

E.S. WINDOWS, LLC
 5220 N.W. 72 AVE. BAY #4
 MIAMI, FL. 33166
 TEL. (305) 624-7775 FAX. (305) 624-7777

no	date	by	description
A	09.24.10	REV. PER BCCO COMMENTS	

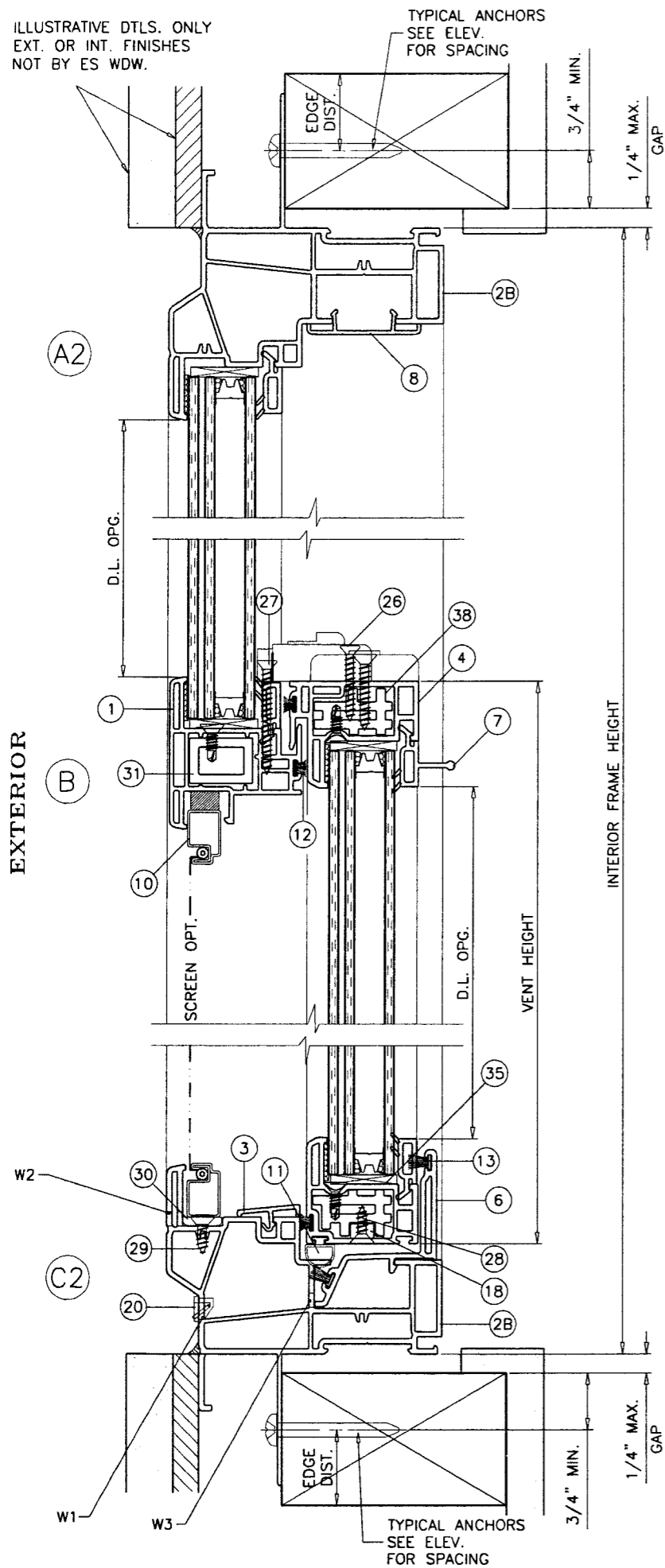
revisions:

date: 04-27-10
 scale: 1/2" = 1"
 dr. by: HAMID
 chk. by:

drawing no.
W10-28

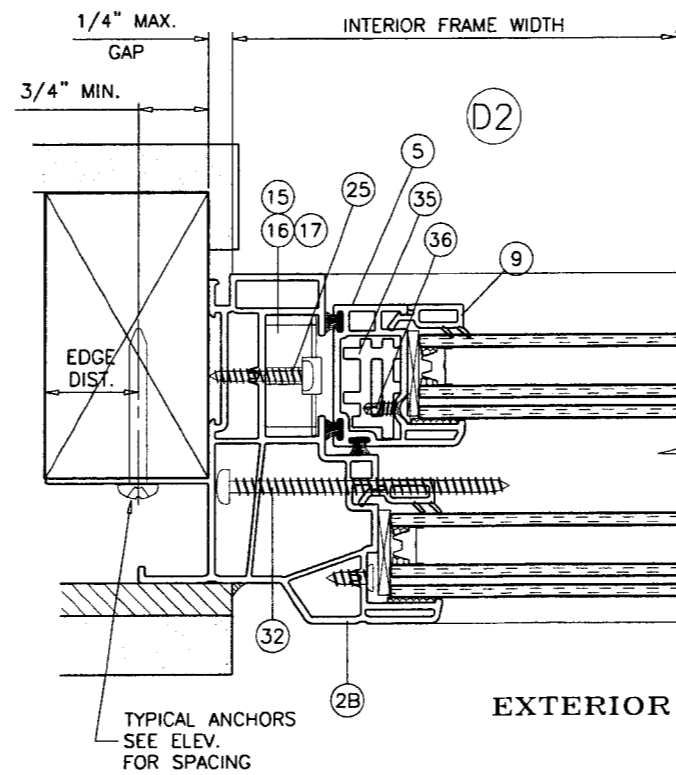
sheet 5 of 8

ILLUSTRATIVE DTLS. ONLY
EXT. OR INT. FINISHES
NOT BY ES WDW.



TYPICAL ANCHORS:
FIN FRAMES: SEE ELEV. FOR SPACING

#12 SMS (GRADE 2 CRS)
INTO 2BY WOOD BUCKS OR WOOD STRUCTURES
1-3/8" MIN. PENETRATION INTO WOOD
3/4" MIN. EDGE DISTANCE



FIN FRAMES

Engr: JAVAD AHMAD
CIVIL
FLA. PE # 70592
C.A.N. 3538

[Signature]
NOV 08 2010

Approved as complying with the
Florida Building Code
Date 12/09/2010
NOA# 10-1029.05
Miami Dade Product Control
Division
By *[Signature]*

af c
AL-FAROOQ CORPORATION
ENGINEERS & PRODUCT DEVELOPMENT
1235 S.W. 87 AVE
MIAMI, FLORIDA 33174
TEL. (305) 264-8100 FAX. (305) 262-6978
COMP-ANL\W10-28ES

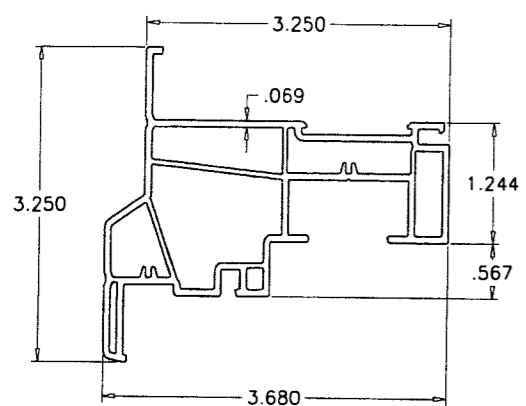
SERIES V1000 PVC SINGLE HUNG TILT WDW. (L.M.I.)
E.S. WINDOWS, LLC
5220 N.W. 72 AVE. BAY #4
MIAMI, FL. 33166
TEL. (305) 624-7775 FAX. (305) 624-7777

no	date	by	description
A	09.24.10	REV. PER BCCO COMMENTS	

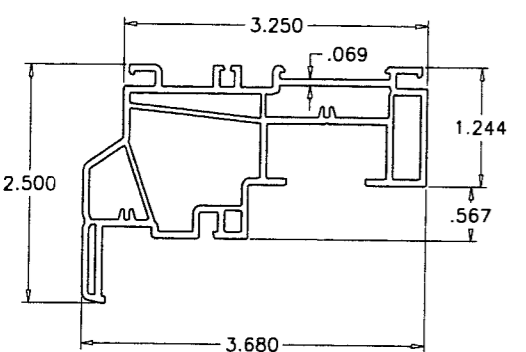
date: 04-27-10
scale: 1/2" = 1"
dr. by: HAMID
chk. by:

drawing no.
W10-28

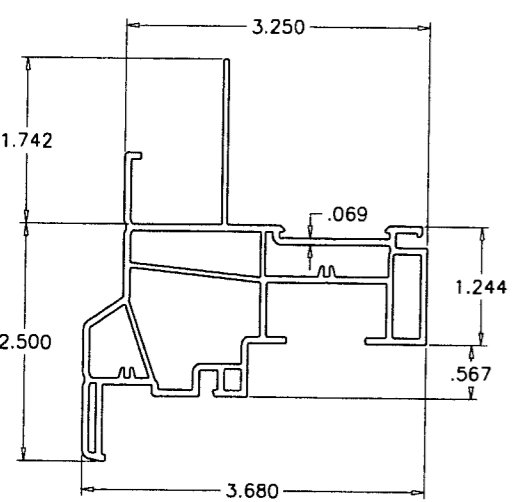
sheet 6 of 8



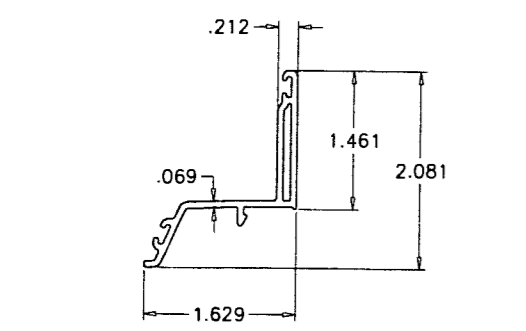
2 FLANGE FRAME



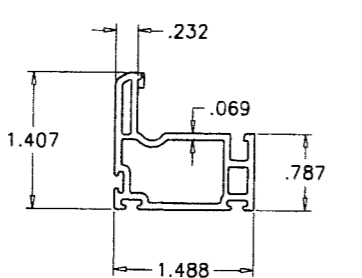
2A FLUSH FRAME



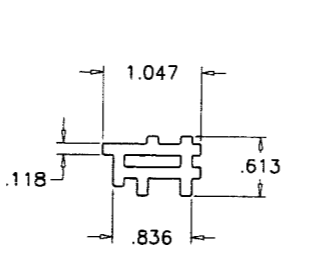
2B FIN FRAME



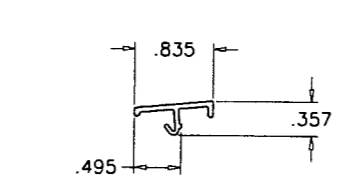
6 SILL ADAPTER



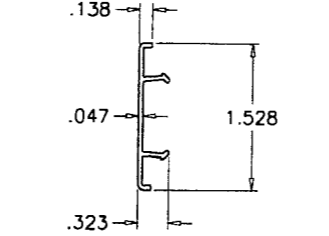
5 VENT TOP/BOTTOM/SIDE RAIL



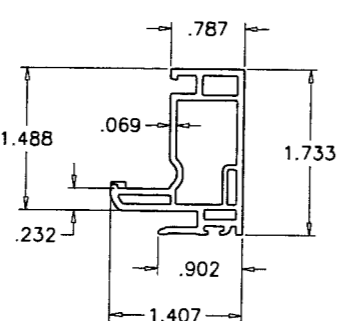
35 VENT REINFORCEMENT



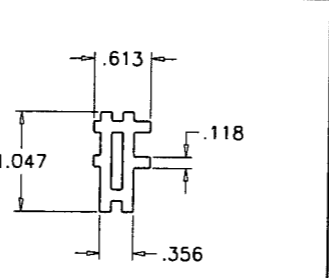
3 SILL COVER



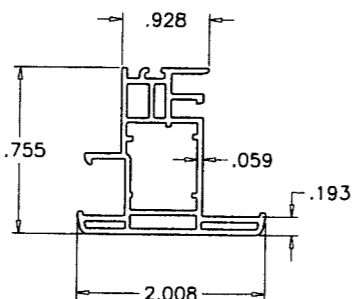
8 SASH STOP



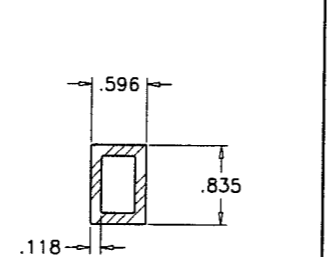
4 VENT INTERLOCK STILE



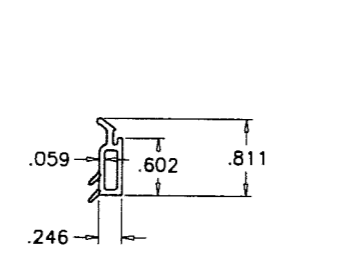
38 VENT INTERLOCK REINF.



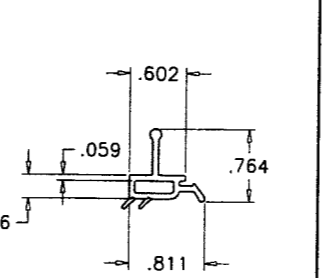
1 FIXED INTERLOCK STILE



31 FIX. INTERLOCK REINF.



9 GLAZING BEAD



7 GLAZING BEAD

Engr: JAVAD AHMAD
CIVIL
FLA. PE # 70592
C.A.N. 3538

NOV 08 2010

Approved as complying with the
Florida Building Code
Date 12/09/2010
NOAH 10-1029.05
Miami Dade Product Control
Division
By *[Signature]*

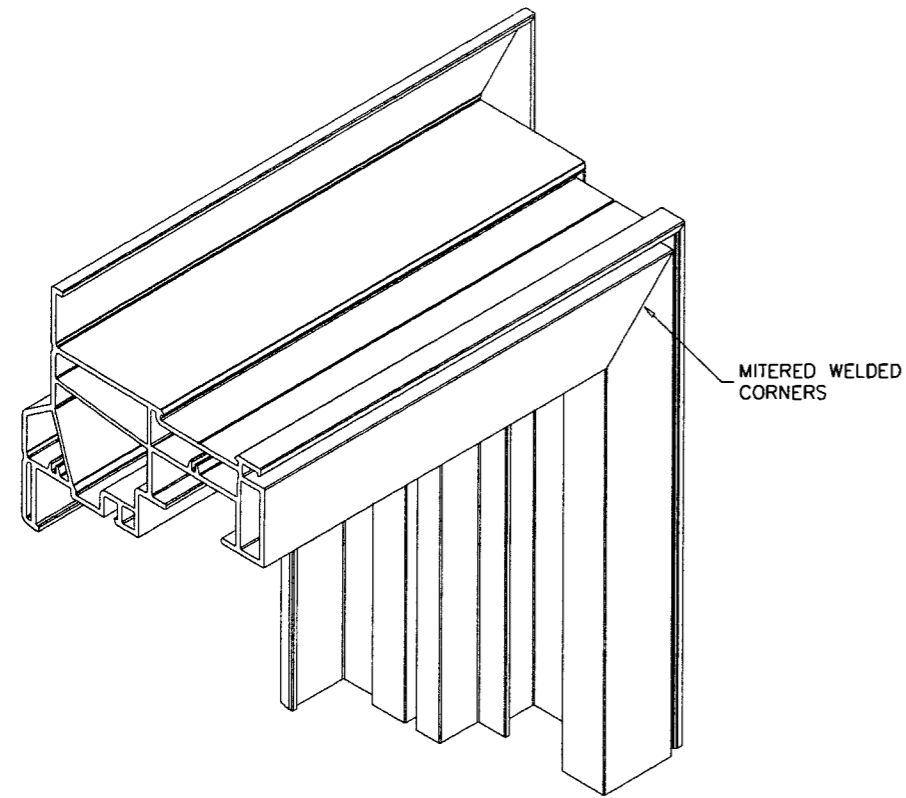
af c
AL-FAROOQ CORPORATION
ENGINEERS & PRODUCT DEVELOPMENT
1235 S.W. 87 AVE
MIAMI, FLORIDA 33174
TEL. (305) 264-8100 FAX. (305) 262-6978
COMP - ANL \ W10 - 28FS

SERIES V1000 PVC SINGLE HUNG TILT WDW. (L.M.I.)
E.S. WINDOWS, LLC
5220 N.W. 72 AVE. BAY #4
MIAMI, FL. 33166
TEL. (305) 624-7775 FAX. (305) 624-7777

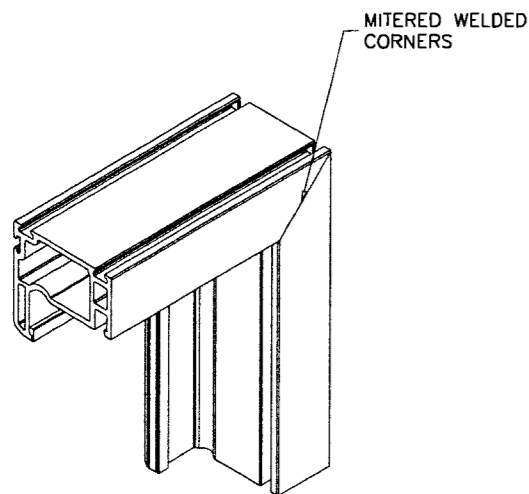
revisions:	
no	description
A	09.24.10 REV. PER BCCO COMMENTS

date: 04-27-10
scale: 1/2" = 1"
dr. by: HAMID
chk. by:

drawing no.
W10-28
sheet 7 of 8



FRAME CORNERS



VENT CORNERS

ITEM	PART #	QUANTITY	DESCRIPTION	MATERIAL	MANF./SUPPLIER/REMARKS
1	4254	1	FIXED MEETING RAIL	WHITE RIGID PVC	THERMOPLAST
2	4252E	4/ WDW.	FLANGE FRAME HEAD/SILL/JAMB	WHITE RIGID PVC	THERMOPLAST
2A	4202	4/ WDW.	FLUSH FRAME HEAD/SILL/JAMB	WHITE RIGID PVC	THERMOPLAST
2B	4252	4/ WDW.	FIN FRAME HEAD/SILL/JAMB	WHITE RIGID PVC	THERMOPLAST
3	4008	1	SILL COVER	WHITE RIGID PVC	THERMOPLAST
4	4084A	1	SASH INTERLOCK	WHITE RIGID PVC	THERMOPLAST
5	4027A	1	SASH FRAME	WHITE RIGID PVC	THERMOPLAST
6	4219	1	SILL ADAPTER	WHITE RIGID PVC	THERMOPLAST
7	4022	AS REQD.	7/8" GLAZING BEAD	WHITE RIGID PVC	THERMOPLAST
8	4010	1	SASH STOP	WHITE RIGID PVC	THERMOPLAST
9	4013	AS REQD.	7/8" GLAZING BEAD	WHITE RIGID PVC	THERMOPLAST
10	-	AS REQD.	SCREEN FRAME (OPTIONAL)	WHITE RIGID PVC	THERMOPLAST
11	LDB-100109T	AS REQD.	WEATHERSTRIPPING	-	SCHLEGEL
12	HF-7320-187	AS REQD.	WEATHERSTRIPPING	-	SCHLEGEL
13	PB-8830-187	AS REQD.	WEATHERSTRIPPING	-	SCHLEGEL
14	-	AS REQD.	SETTING BLOCK (.90" X 1" X 1/8")	-	-
15	090101.2.3.4.5	2/ VENT	BALANCE	-	FERCO
16	090151	-	BALANCE SUPPORT	-	FERCO
17	090155	-	TILT SHOE	-	FERCO
17	M090161	-	PIVOT	-	FERCO
19	Q4060	-	TILT LATCH	-	THERMOPLAST
20	97-03-00-00	2/ WDW.	VALVE	-	GEARMOLD
21	Q4080	2/ VENT	LOCK, AT 8" FROM EACH END	-	THERMOPLAST
21	Q4082	-	KEEPER	PVC	THERMOPLAST
23					
24	4052	2	MULLION CONNECTOR	-	-
25	#8 X 1"	-	BALANCE SCREWS	-	PH
26	#6 X 1"	-	LOCK SCREWS	-	FH
27	#6 X 1-1/2"	-	KEEPER SCREWS	-	FH
28	#8 X 1/2"	-	PIVOT SCREWS	-	FH
29	#8 X 1/2"	AS REQD.	SCREEN SUPPORT SCREWS	-	FH
30	4053	AS REQD.	SCREEN SUPPORT	-	-
31	A112-02P096	1	FIX. INTERLOCK REINFORCEMENT	6063-T6	-
32	#10 X 2"	1/ WDW.	FIX. RAIL SCREW	-	FH
33	7/16" X 5/8"	2/ CONNECTOR	FIX. RAIL CONNECTOR SCREWS	-	FH
34	#8 X 1"	-	TILT LATCH SCREWS	-	FH
35	A110-02P096	-	SASH REINFORCEMENT	6063-T6	-
36	#8 X 1/2"	-	REINFORCEMENT SCREWS	ST. STEEL	-
37	#10 X 3"	-	FIXED RAIL SCREWS	-	PH
38	A111-02P096	-	MTG. RAIL REINFORCEMENT	6063-T6	-

WHITE PVC EXTRUSIONS TO BE LABELED WITH AAMA EXTRUDER CODE, EXTRUDER NAME, CITY, STATE AND 'MDCA'.

Engr: JAVAD AHMAD
 CIVIL
 FLA. PE # 70592
 C.A.N. 3538

JA
 NOV 08 2010

Approved as complying with the
 Florida Building Code
 Date 12/09/2010
 NOA# 10-0629.05
 Miami Dade Product Control
 Division
 By *[Signature]*

af c
AL-FAROOQ CORPORATION
 ENGINEERS & PRODUCT DEVELOPMENT
 1235 S.W. 87 AVE
 MIAMI, FLORIDA 33174
 TEL. (305) 264-8100 FAX. (305) 262-6978
 COMP-ANL\W10-28ES

SERIES V1000 PVC SINGLE HUNG TILT WDW. (L.M.I.)
E.S. WINDOWS, LLC
 5220 N.W. 72 AVE. BAY #4
 MIAMI, FL. 33166
 TEL. (305) 624-7775 FAX. (305) 624-7777

revisions:	no.	date	by	description
	A	09.24.10		REV. PER BCCO COMMENTS
date:	04-27-10			
scale:	1/2" = 1"			
dr. by:	HAMID			
chk. by:				
drawing no.	W10-28			
sheet	8 of 8			