



**BUILDING CODE COMPLIANCE OFFICE (BCCO)  
PRODUCT CONTROL DIVISION**

**MIAMI-DADE COUNTY, FLORIDA  
METRO-DADE FLAGLER BUILDING  
140 WEST FLAGLER STREET, SUITE 1603  
MIAMI, FLORIDA 33130-1563  
(305) 375-2901 FAX (305) 375-2908**

[www.miamiadade.gov/buildingcode](http://www.miamiadade.gov/buildingcode)

**NOTICE OF ACCEPTANCE (NOA)**

**E.S. Windows, LLC  
10653 NE Quaybridge Ct.  
Miami, Fl.33138**

**SCOPE:**

This NOA is being issued under the applicable rules and regulations governing the use of construction materials. The documentation submitted has been reviewed by Miami-Dade County Product Control Division and accepted by the Board of Rules and Appeals (BORA) to be used in Miami Dade County and other areas where allowed by the Authority Having Jurisdiction (AHJ).

This NOA shall not be valid after the expiration date stated below. The Miami-Dade County Product Control Division (In Miami Dade County) and/or the AHJ (in areas other than Miami Dade County) reserve the right to have this product or material tested for quality assurance purposes. If this product or material fails to perform in the accepted manner, the manufacturer will incur the expense of such testing and the AHJ may immediately revoke, modify, or suspend the use of such product or material within their jurisdiction. BORA reserves the right to revoke this acceptance, if it is determined by Miami-Dade County Product Control Division that this product or material fails to meet the requirements of the applicable building code.

This product is approved as described herein, and has been designed to comply with the Florida Building Code, including High Velocity Hurricane Zone of the Florida Building Code.

**DESCRIPTION: ES Series "V4000" PVC Sliding Glass Door (reinforced)**

**APPROVAL DOCUMENT:** Drawing No. **W10-29**, titled "Series V4000 PVC Sliding Glass Door (LMI)", sheets 1 through 6 of 6, prepared by Al-Farooq Corporation, dated 05-03-10 and last revised on DEC 02, 2010, signed and sealed by Javad Ahmad, P.E., bearing the Miami-Dade County Product Control approval stamp with the Notice of Acceptance number and approval date by the Miami-Dade County Product Control Division.

**MISSILE IMPACT RATING: Large and Small Missile Impact**

**LABELING:** Each unit shall bear a permanent label with the manufacturer's name or logo, city, state and following statement: "Miami-Dade County Product Control Approved", unless otherwise noted herein.

**RENEWAL** of this NOA shall be considered after a renewal application has been filed and there has been no change in the applicable building code negatively affecting the performance of this product.

**TERMINATION** of this NOA will occur after the expiration date or if there has been a revision or change in the materials, use, and/or manufacture of the product or process. Misuse of this NOA as an endorsement of any product, for sales, advertising or any other purposes shall automatically terminate this NOA. Failure to comply with any section of this NOA shall be cause for termination and removal of NOA.

**ADVERTISEMENT:** The NOA number preceded by the words Miami-Dade County, Florida, and followed by the expiration date may be displayed in advertising literature. If any portion of the NOA is displayed, then it shall be done in its entirety.

**INSPECTION:** A copy of this entire NOA shall be provided to the user by the manufacturer or its distributors and shall be available for inspection at the job site at the request of the Building Official.

This NOA consists of this page 1 and evidence page E-1, as well as approval document mentioned above. The submitted documentation was reviewed by **Ishaq I. Chanda, P.E.**

**NOA No 10-0629.06  
Expiration Date: December 23, 2015  
Approval Date: December 23, 2010  
Page 1**



*J*  
12/2/10

**NOTICE OF ACCEPTANCE: EVIDENCE SUBMITTED**

**A. DRAWINGS**

1. Manufacturer's die drawings and sections.
2. Drawing No. **W10-29**, titled "Series V4000 PVC Sliding Glass Door (LMI)", sheets 1 through 6 of 6, prepared by Al-Farooq Corporation, dated 05-03-10 and last revised on DEC 02, 2010, signed & sealed by Javad Ahmad, P.E.

**B. TESTS** Test reports on

- 1) Air Infiltration Test, per FBC, TAS 202-94
- 2) Uniform Static Air Pressure Test, Loading per FBC, TAS 202-94
- 3) Water Resistance Test, per FBC, TAS 202-94
- 4) Large Missile Impact Test, per FBC, TAS 201-94
- 5) Cyclic Wind Pressure Loading, per FBC, TAS 203-94
- 6) Forced Entry Test, per FBC 2411 3.2.1 and TAS 202-94

along with marked-up drawing and installation diagram of Vinyl Sliding Glass Door, prepared by National Certified Testing Laboratory, Inc., No. **NCTL-110-12836-1**, dated 02/06/08 and last revised on 10/25/10, signed and sealed by Harold E. Rupp, P.E.

Note: This report has an addendum letter dated 10/25/10 issued by NCTL, signed and sealed by Harold E. Rupp, P.E.

**C. CALCULATIONS**

1. Anchor verification calculations and structural analysis, prepared by Al Farooq Corporation, dated 06/25/10 and last revised on 12/02/10, signed and sealed by Javad Ahmad, P.E.
2. Glazing complies w/ ASTM E-1300-02 & -04

**D. QUALITY ASSURANCE BY:**

1. Miami-Dade County Building Code Compliance Office (BCCO)

**E. MATERIAL CERTIFICATIONS**

1. Notice of Acceptance No. **09-0312.03** issued to E.I. DuPont DeNemours & Co., Inc. for their "**DuPont Sentry Glass® Interlayer**", expiring on 01/14/12.
2. Notice of Acceptance No. **08-0620.09** issued to Thermoplast, Inc. for their "**White Rigid PVC**", expiring on 07/05/12.

**F. STATEMENTS**

1. Statement letter of conformance and "No financial interest" issued by Al-Farooq Corp., dated 06/04/10, signed and sealed by Javad Ahmad, P.E.
2. Laboratory compliance statements, part of the above referenced test reports.
3. Addendum letter dated 10/25/10 issued by National Certified Testing Lab, signed and sealed by Harold E. Rupp, P.E.

**G. OTHER**

1. Distribution agreement ES Windows-Energia Solar, S.A. and ES Windows, LLC, dated 10/20/10, signed by Ms Carla G. Torrente and Andres Chamorro respectively.

*Ishaq I. Chanda*

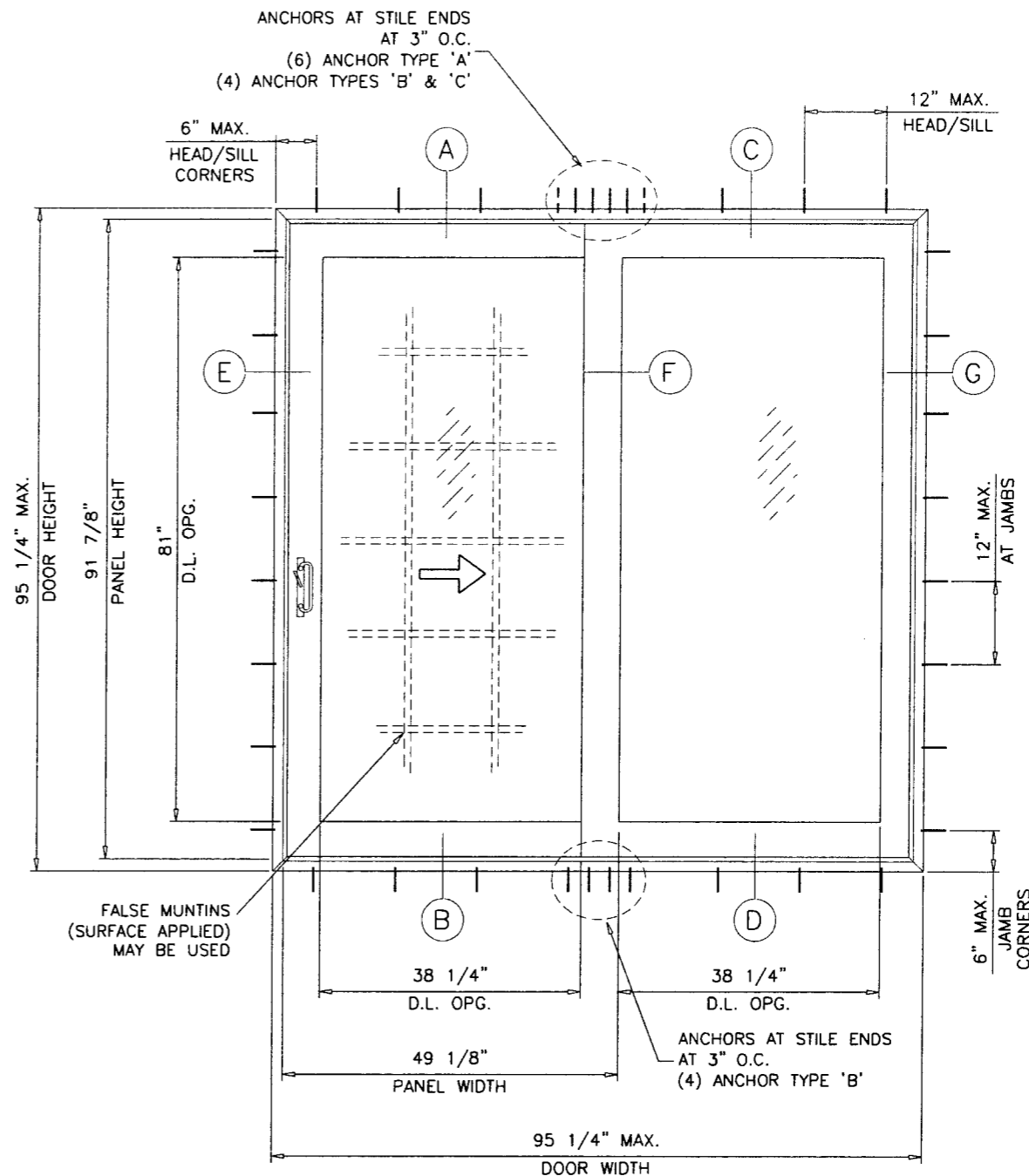
Ishaq I. Chanda, P.E.

Product Control Examiner

NOA No 10-0629.06

Expiration Date: December 23, 2015

Approval Date: December 23, 2010



TYPICAL ELEVATION

MAXIMUM DESIGN LOAD RATING = + 50.0  
 (FOR SIZES SHOWN OR SMALLER) - 50.0 PSF  
 AS PERMITTED BY FBC

**SERIES V4000 PVC SLIDING GLASS DOOR**

THESE DOORS CAN BE INSTALLED AS SINGLE UNITS OR IN COMBINATION WITH MIAMI-DADE COUNTY APPROVED PRODUCTS USING MIAMI-DADE COUNTY APPROVED CLIPPED MULLIONS IN BETWEEN.  
 LOWER DESIGN PRESSURES FROM DOORS OR MULLION APPROVAL WILL APPLY TO ENTIRE SYSTEM.

THIS PRODUCT HAS BEEN DESIGNED AND TESTED TO COMPLY WITH THE REQUIREMENTS OF THE FLORIDA BUILDING CODE 2007 EDITION INCLUDING HIGH VELOCITY HURRICANE ZONE (HVHZ).

WOOD BUCKS BY OTHERS, MUST BE ANCHORED PROPERLY TO TRANSFER LOADS TO THE STRUCTURE.

ANCHORS SHALL BE AS LISTED, SPACED AS SHOWN ON DETAILS, ANCHORS EMBEDMENT TO BASE MATERIAL SHALL BE BEYOND WALL DRESSING OR STUCCO.

ANCHORING OR LOADING CONDITIONS NOT SHOWN IN THESE DETAILS ARE NOT PART OF THIS APPROVAL.

A LOAD DURATION INCREASE IS USED IN DESIGN OF ANCHORS INTO WOOD ONLY.

MATERIALS INCLUDING BUT NOT LIMITED TO STEEL/METAL SCREWS, THAT COME INTO CONTACT WITH OTHER DISSIMILAR MATERIALS SHALL MEET THE REQUIREMENTS OF 2007 FLORIDA BLDG. CODE SECTION 2003.8.4.

Approved as complying with the  
 Florida Building Code  
 Date: DEC 23, 2010  
 NOA# 10-0629-06  
 Miami Dade Product Control  
 Division  
 By: [Signature]

LAMINATED INSULATING GLASS  
 LARGE & SMALL MISSILE IMPACT

Engr: JAVAD AHMAD  
 CIVIL  
 FLA. PE # 70592  
 C.A.N. 3538

[Signature]  
 DEC 02 2010

**af c**  
**AL-FAROOQ CORPORATION**  
 ENGINEERS & PRODUCT DEVELOPMENT  
 1235 S.W. 87 AVE  
 MIAMI, FLORIDA 33174  
 TEL. (305) 264-8100 FAX. (305) 262-6978  
 COMP - ANL \ W05 - 03ES

SERIES V4000 PVC SLIDING GLASS DOOR (L.M.I.)  
**E.S. WINDOWS, LLC**  
 5220 N.W. 72 AVE. BAY #4  
 MIAMI, FL. 33166  
 TEL. (305) 624-7775 FAX. (305) 624-7777

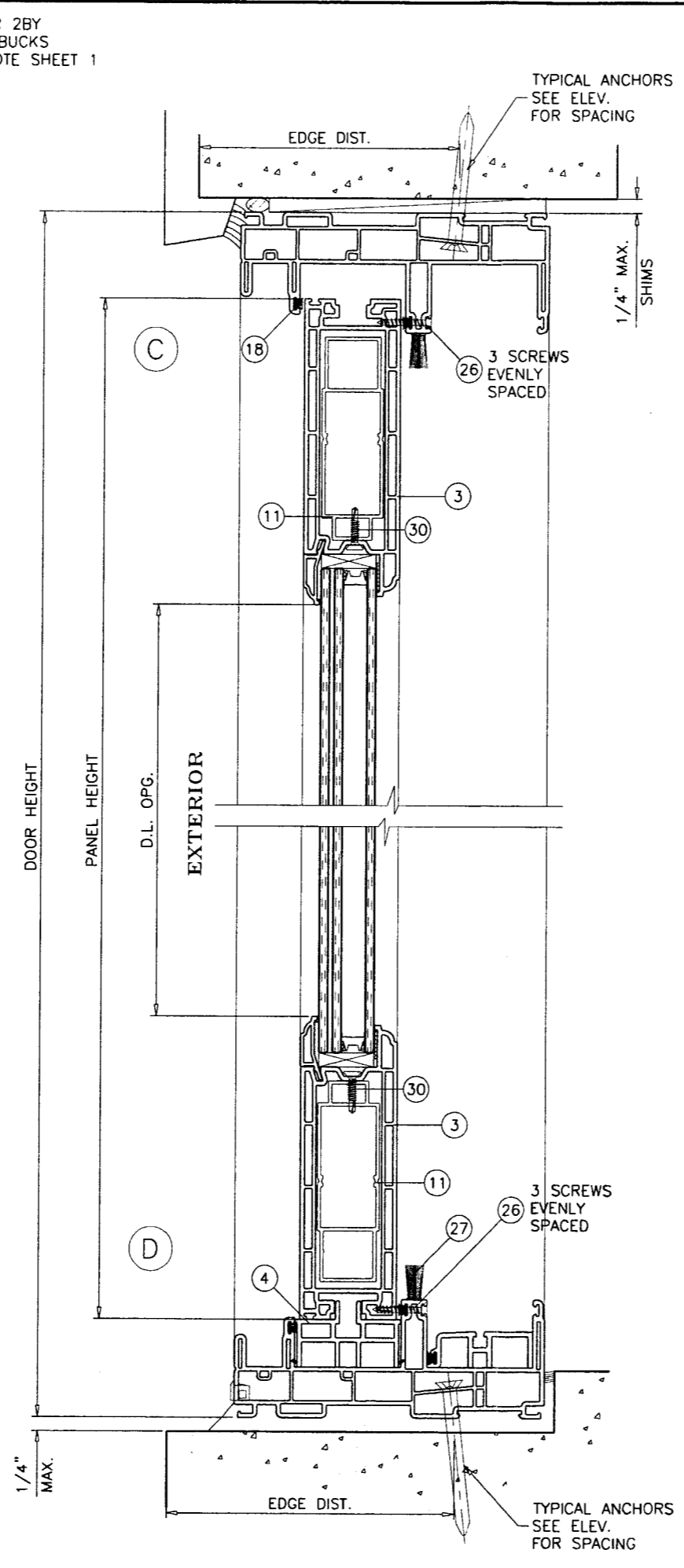
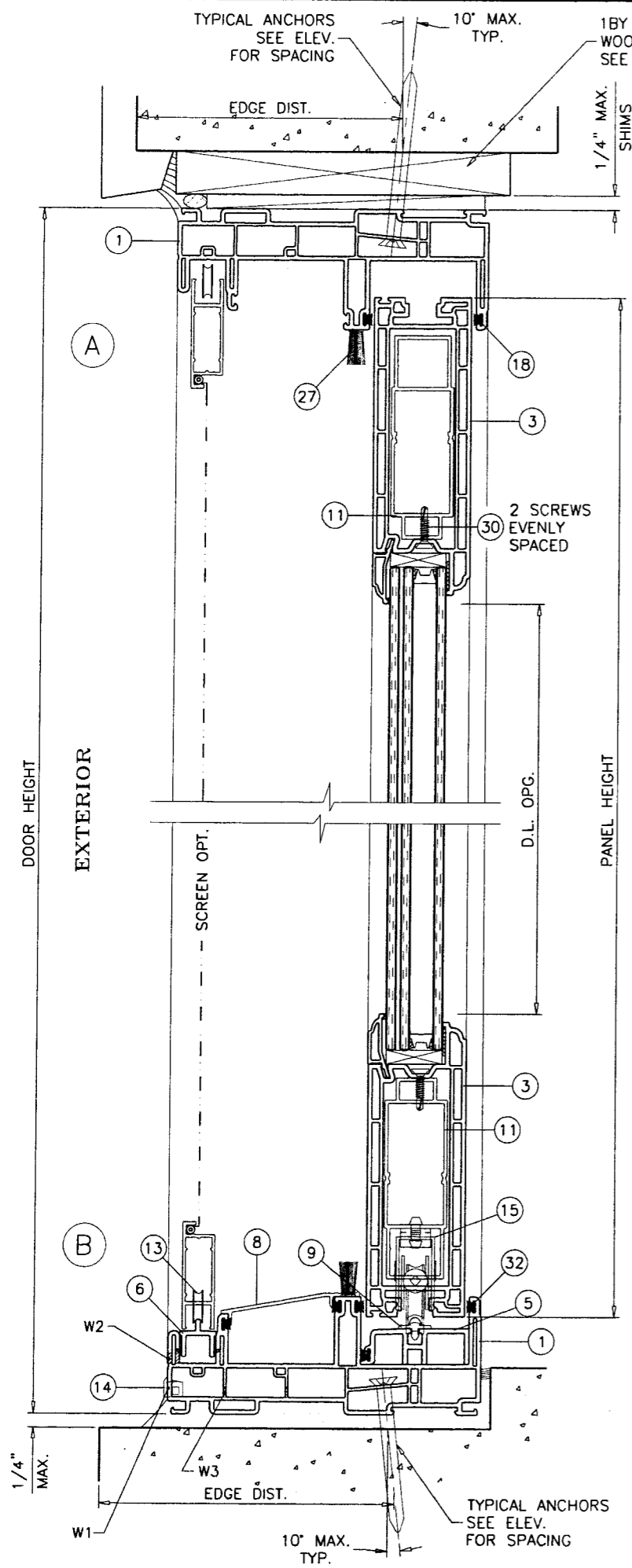
no.	date	description	REV. PER	COMMENTS
A	09.24.10			

date:	05-03-10
scale:	1/2" = 1'-0"
dr. by:	HAMID
chk. by:	

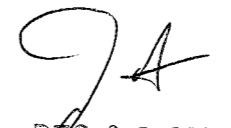
drawing no.	W10-29
sheet	1 of 6



Approved as complying with the  
 Florida Building Code  
 Date Dec 23, 2010  
 NOA# 10-0629.06  
 Miami Dade Product Control  
 Division  
 By [Signature]

**WEEPHOLES:**

- W1 = 5/16" X 1-1/2" WEEP SLOT AT 3-3/4" FROM EACH END WITH PLASTIC BAFFLE.
- W2 = 3/16" X 1" WEEP SLOT AT 3-5/8" FROM EACH END
- W3 = 3/16" X 1" WEEP SLOT AT 1-3/8" FROM EACH END

Engr: JAVAD AHMAD  
 CIVIL  
 FLA. PE # 70592  
 C.A.N. 3538  
  
 DEC 02 2010

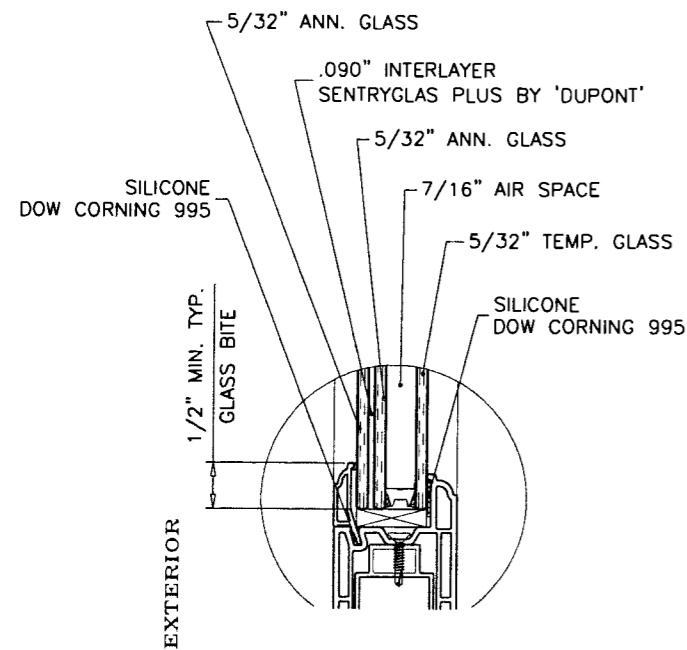
**af c**  
**AL-FAROOQ CORPORATION**  
 ENGINEERS & PRODUCT DEVELOPMENT  
 1235 S.W. 87 AVE  
 MIAMI, FLORIDA 33174  
 TEL. (305) 264-8100 FAX. (305) 262-6978  
 COMP-ANL\W05-03ES

SERIES V4000 PVC SLIDING GLASS DOOR (L.M.I.)  
**E.S. WINDOWS, LLC**  
 5220 N.W. 72 AVE. BAY #4  
 MIAMI, FL. 33166  
 TEL. (305) 624-7775 FAX. (305) 624-7777

REVISIONS:		date	by	description
no.	date	by	description	REV. PER BCCO COMMENTS
A	09.24.10			

date: 05-03-10	scale: 3/8" = 1"	dr. by: HAMID	chk. by:
drawing no. <b>W10-29</b>			
sheet 3 of 6			



1" OVERALL LAM. INSUL. GLASS  
GLAZING DETAIL

NOTE:  
GLASS CAPACITIES ARE  
BASED ON ASTM E1300-04 (3 SEC. GUSTS)  
AND FLORIDA BUILDING COMMISSION  
DECLARATORY STATEMENT DCA05-DEC-219

ITEM	PART #	QUANTITY	DESCRIPTION	MATERIAL	MANF./SUPPLIER/REMARKS
1	S003	4/ DOOR	FLUSH FRAME	WHITE RIGID PVC	THERMOPLAST
2	S021	4/ PANEL	1" GLAZING BEAD	WHITE RIGID PVC	THERMOPLAST
3	S017	4/ PANEL	PANEL RAIL/STILE	WHITE RIGID PVC	THERMOPLAST
4	S008	1	SUPPORT BLOCK	WHITE RIGID PVC	THERMOPLAST
5	S018	2	SILL ADAPTOR	WHITE RIGID PVC	THERMOPLAST
6	7059	OPTIONAL	SCREEN ADAPTOR	WHITE RIGID PVC	THERMOPLAST
7	S084	2/ DOOR	SNAP-ON MEETING RAIL	WHITE RIGID PVC	THERMOPLAST
8	-	1	SILL COVER	6063-T6	-
9	-	1	SASH RAIL	6063-T6	-
10	-	OPTIONAL	SCREEN	6063-T6	-
11	-	AS REQD.	RAIL/STILE REINFORCEMENT	6063-T6	-
13	-	OPTIONAL	SCREEN ROLLER	-	-
14	110-2550-10	1/ WEEP	WEEP COVER	-	RO-MAI
15	-	2/ PANEL	TANDEM ROLLER	ST. STEEL	-
16	-	-	SETTING BLOCK (1" X 1/4" X 2" LONG)	-	DUROMETER 80
18	HF-7320-187	AS REQD.	WEATHERSTRIPPING	-	SCHLEGEL
19	SS-6945	AS REQD.	WEATHERSTRIPPING	-	SCHLEGEL
20	-	OPTIONAL	INT. AND EXT. SCREEN HANDLE	-	-
21	-	OPTIONAL	SCREEN KEEPER	-	-
22	-	-	SASH KEEPER	-	-
23	-	-	INT. AND EXT. SASH HANDLE	-	-
24	#6 X 1/2"	-	SCREEN KEEPER SCREWS	-	FH
25	#8 X 5/8"	-	SASH KEEPER SCREWS	-	FH
26	#8 X 1"	AS REQD.	FIXED PANEL SCREWS	-	FH
27	T5927AMW	-	6" WEATHERSTRIPPING	-	ULTRAFAB
28	EAQ705	-	SCREW PLUG	-	-
29	S030	-	LOCK SIDE MOLDING	-	-
30	#8 X 3/4"	-	REINFORCEMENT SCREWS	-	-
31	S029	-	PANEL STOP	WHITE RIGID PVC	THERMOPLAST
32	PB-8322-187	-	WEATHERSTRIPPING	-	SCHLEGEL
33	-	-	MEETING RAIL REINFORCEMENT	GALV. STEEL	Fy = 36 KSI
34	#6 X 3/4"	-	MEETING RAIL SCREWS	-	FH
35	-	-	SAFETY LOCK	-	RTG PROTECH
36	#8 X 3/4"	-	SAFETY LOCK SCREWS	-	PH, TETE RONDE

WHITE PVC EXTRUSIONS TO BE LABELED WITH AAMA EXTRUDER CODE,  
EXTRUDER NAME, CITY, STATE AND 'MDCA'.

Approved as complying with the  
Florida Building Code  
Date  
NOA#  
Miami Dade Product Control  
Division  
By

Engr: JAVAD AHMAD  
CIVIL  
FLA. PE # 70592  
C.A.N. 3538  
DEC 02 2010

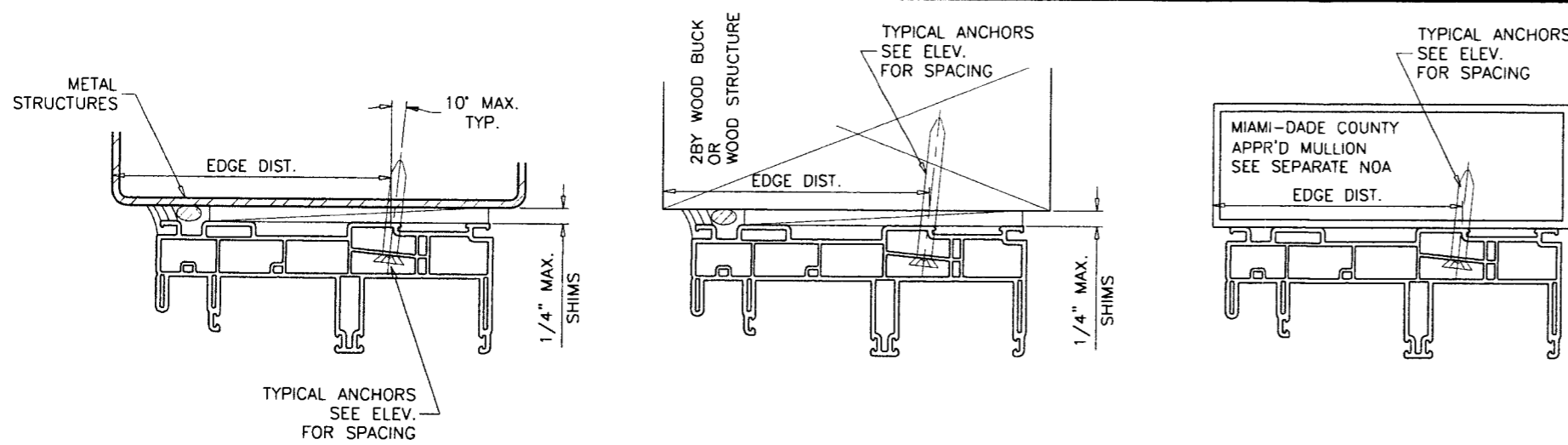
**af c**  
**AL-FAROOQ CORPORATION**  
ENGINEERS & PRODUCT DEVELOPMENT  
1235 S.W. 87 AVE  
MIAMI, FLORIDA 33174  
TEL. (305) 264-8100 FAX. (305) 262-6978  
COMP-ANL\W05-03ES

SERIES V4000 PVC SLIDING GLASS DOOR (L.M.I.)  
**E.S. WINDOWS, LLC**  
5220 N.W. 72 AVE. BAY #4  
MIAMI, FL. 33166  
TEL. (305) 624-7775 FAX. (305) 624-7777

revisions:	no.	date	description	REV. PER	BCCD	COMMENTS
	A	09.24.10				

date: 05-03-10  
scale: 3/8" = 1"  
dr. by: HAMID  
chk. by:

drawing no.  
**W10-29**  
sheet 2 of 6



WOOD BUCKS AND METAL STRUCTURE NOT BY ES WINDOWS MUST SUSTAIN LOADS IMPOSED BY GLAZING SYSTEM AND TRANSFER THEM TO THE BUILDING STRUCTURE.

**TYPICAL ANCHORS:** SEE ELEV. FOR SPACING

- TYPE 'A'- 1/4" DIA. TAPCON BY 'ITW' (Fu=120 KSI, Fy=92 KSI)  
1/4" DIA. ULTRACON BY 'ELCO' (Fu=177 KSI, Fy=155 KSI)  
 INTO 2BY WOOD BUCKS OR WOOD STRUCTURES (AT HEAD/JAMBS)  
 1-3/8" MIN. PENETRATION INTO WOOD  
 THRU 1BY BUCKS INTO CONC. OR MASONRY  
 1-1/4" MIN. EMBED INTO CONC. OR MASONRY
- TYPE 'B'- 1/4" DIA. TAPCON BY 'ITW' (Fu=120 KSI, Fy=92 KSI)  
1/4" DIA. ULTRACON BY 'ELCO' (Fu=177 KSI, Fy=155 KSI)  
 DIRECTLY INTO CONC. OR MASONRY  
 1-1/4" MIN. EMBED INTO CONC. OR MASONRY
- TYPE 'C'- #14 SMS OR SELF DRILLING SCREWS (GRADE 2 CRS)  
 INTO MIAMI-DADE COUNTY APPROVED MULLIONS (MIN. THK. = 1/8")  
 INTO METAL STRUCTURES  
 STEEL : 1/8 THK. MIN. (Fy = 36 KSI MIN.)  
 ALUMINUM : 1/8" THK. MIN. (6063-T5 MIN.)  
 (STEEL IN CONTACT WITH ALUMINUM TO BE PLATED OR PAINTED)

**TYPICAL EDGE DISTANCE**  
 INTO CONCRETE AND MASONRY = 2-1/2" MIN.  
 INTO WOOD STRUCTURE = 1" MIN.  
 INTO METAL STRUCTURE = 3/4" MIN.

CONCRETE AT HEAD, SILL OR JAMBS f'c = 3000 PSI MIN.  
 C-90 HOLLOW/FILLED BLOCK AT JAMBS f'm = 2000 PSI MIN.

Approved in accordance with the  
 Florida Building Code  
 Date DEC 23, 2010  
 NOA# 10-2629-06  
 Miami Dade Product Control  
 Division  
 By Shag I. Chandra

Engr: JAVAD AHMAD  
 CIVIL  
 FLA. PE # 70592  
 C.A.N. 3538  
  
 DEC 02 2010

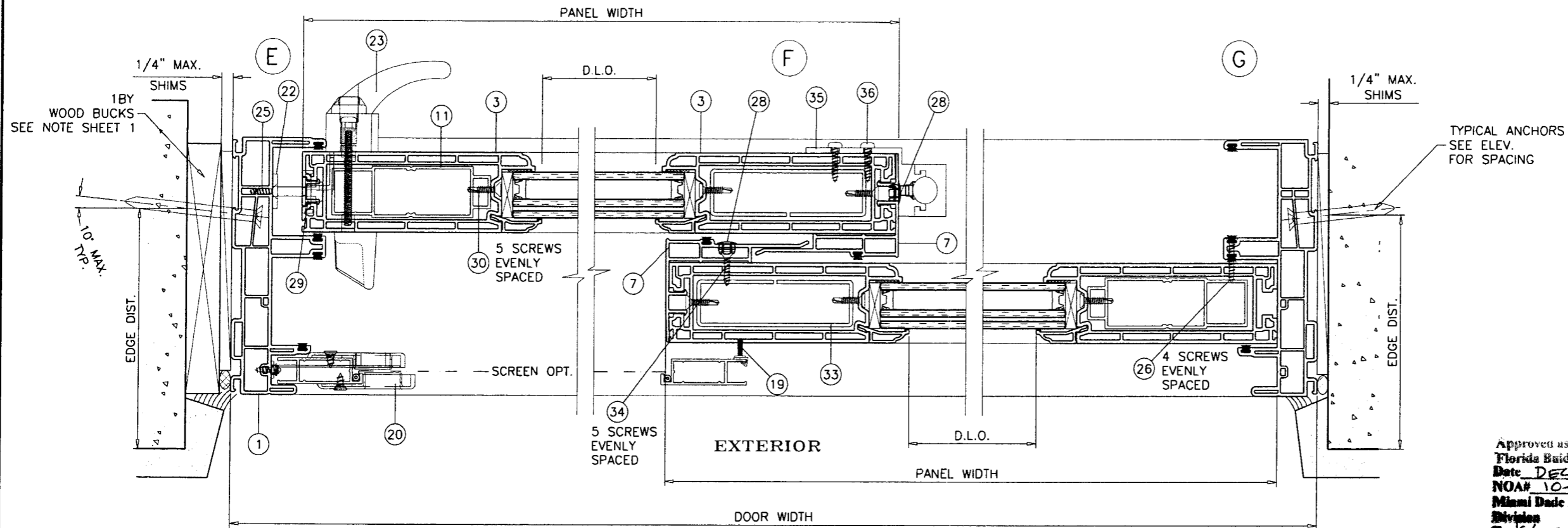
**af c**  
**AL-FAROOQ CORPORATION**  
 ENGINEERS & PRODUCT DEVELOPMENT  
 1235 S.W. 87 AVE  
 MIAMI, FLORIDA 33174  
 TEL. (305) 264-8100 FAX. (305) 262-6978  
 COMP-ANL\W05-03ES

SERIES V4000 PVC SLIDING GLASS DOOR (L.M.I.)  
**E.S. WINDOWS, LLC**  
 5220 N.W. 72 AVE. BAY #4  
 MIAMI, FL. 33166  
 TEL. (305) 624-7775 FAX. (305) 624-7777

revisions:	
no	description
A	09.24.10 REV. PER BCCO COMMENTS

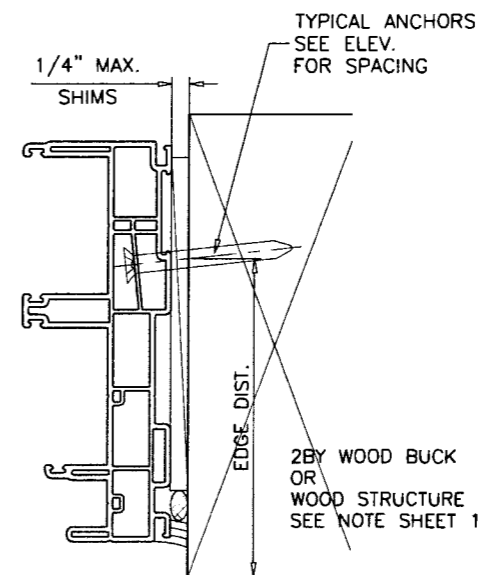
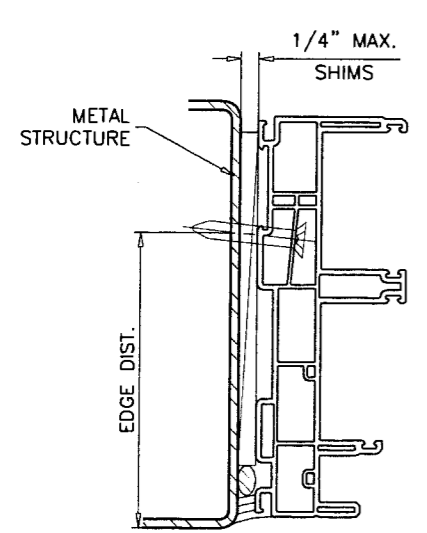
date: 05-03-10  
 scale: 3/8" = 1"  
 dr. by: HAMID  
 chk. by:

drawing no.  
**W10-29**  
 sheet 4 of 6



TYPICAL ANCHORS  
SEE ELEV.  
FOR SPACING

Approved as complying with  
Florida Building Code  
Date DEC 23, 2010  
NOA# 10-0629-06  
Miami Dade Product Control  
Division  
*Shayl Ch...*



Engr: JAVAD AHMAD  
CIVIL  
FLA. PE # 70592  
C.A.N. 3538  
*JA*  
DEC 03 2010

**af c**  
**AL-FAROOQ CORPORATION**  
ENGINEERS & PRODUCT DEVELOPMENT  
1235 S.W. 87 AVE  
MIAMI, FLORIDA 33174  
TEL. (305) 264-8100 FAX. (305) 262-6978  
COMP-ANL W05-03ES

SERIES V4000 PVC SLIDING GLASS DOOR (L.M.I.)  
**E.S. WINDOWS, LLC**  
5220 N.W. 72 AVE. BAY #4  
MIAMI, FL. 33166  
TEL. (305) 624-7775 FAX. (305) 624-7777

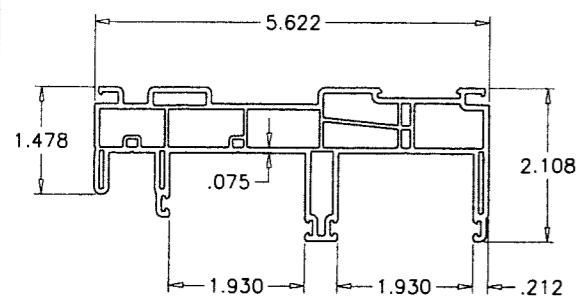
no	date	description
A	09.24.10	REV. PER BCCO COMMENTS

revisions:

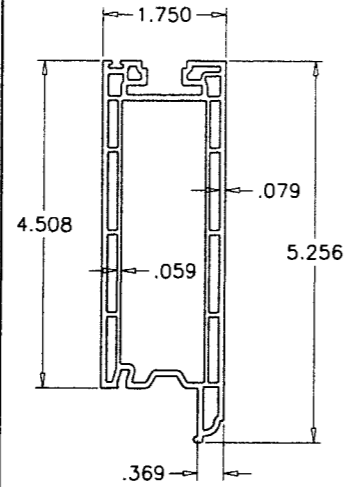
date: 05-03-10  
scale: 3/8" = 1"  
dr. by: HAMID  
chk. by:

drawing no.  
**W10-29**

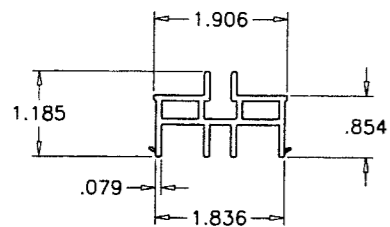
sheet 5 of 6



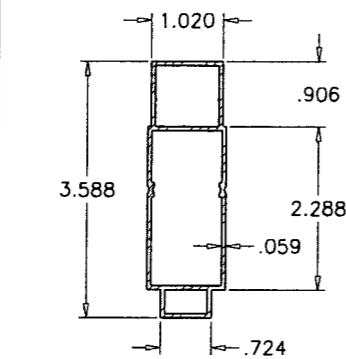
① FLUSH FRAME



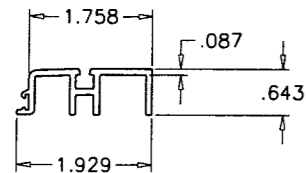
③ PANEL RAIL/STILE



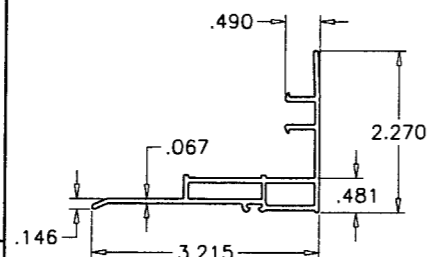
④ SUPPORT BLOCK



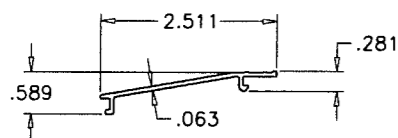
⑪ PANEL FRAME REINFORCEMENT



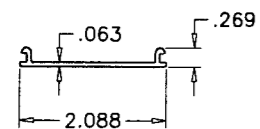
⑤ SILL ADAPTOR



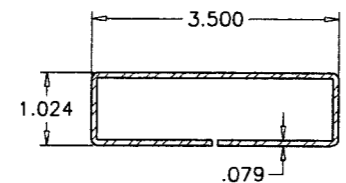
⑦ MEETING RAIL



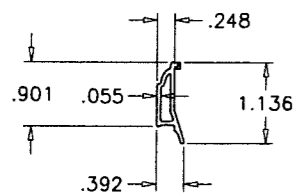
⑧ SILL COVER



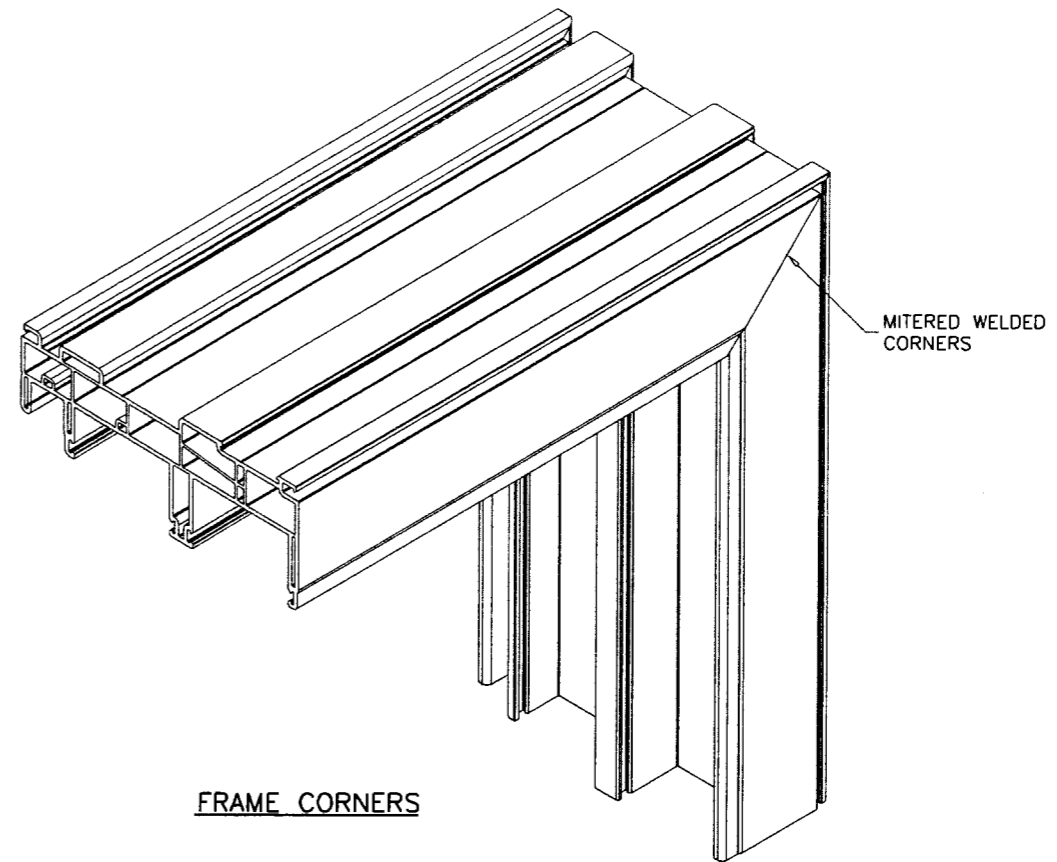
⑩ PANEL STOP



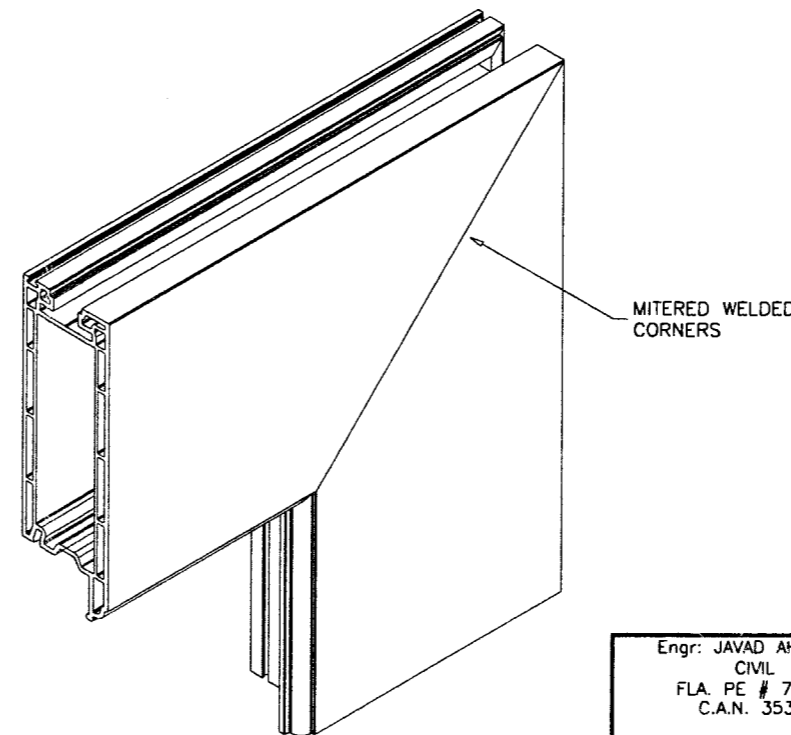
⑬ MEETING RAIL REINFORCEMENT



② GLAZING BEAD



FRAME CORNERS



VENT CORNERS

Approved as complying with the  
Florida Building Code  
Date: DEC 23, 2010  
NOA# 10-0629-06  
Miami Dade Product Control  
Division  
By: Ishag I. Chayda

Engr: JAVAD AHMAD  
CIVIL  
FLA. PE # 70592  
C.A.N. 3538

JA  
DEC 03 2010

**af c**  
**AL-FAROOQ CORPORATION**  
ENGINEERS & PRODUCT DEVELOPMENT  
1235 S.W. 87 AVE  
MIAMI, FLORIDA 33174  
TEL. (305) 264-8100 FAX. (305) 262-6978  
COMP-ANL\W05-03ES

SERIES V4000 PVC SLIDING GLASS DOOR (L.M.I.)  
**E.S. WINDOWS, LLC**  
5220 N.W. 72 AVE. BAY #4  
MIAMI, FL. 33166  
TEL. (305) 624-7775 FAX. (305) 624-7777

no	date	description	REV. PER	REVISIONS
A	09.24.10	REV. PER BCCD COMMENTS		

date: 05-03-10  
scale: 3/8" = 1"  
dr. by: HAMID  
chk. by:

drawing no.  
**W10-29**  
sheet 6 of 6