



BUILDING CODE COMPLIANCE OFFICE (BCCO)
PRODUCT CONTROL DIVISION

MIAMI-DADE COUNTY, FLORIDA
METRO-DADE FLAGLER BUILDING
140 WEST FLAGLER STREET, SUITE 1603
MIAMI, FLORIDA 33130-1563
(305) 375-2901 FAX (305) 372-6339

NOTICE OF ACCEPTANCE (NOA)

www.miamidade.gov/buildingcode

All American Millwork, LLC
12920 S.W. 122nd Avenue
Miami, FL 33186

SCOPE:

This NOA is being issued under the applicable rules and regulations governing the use of construction materials. The documentation submitted has been reviewed and accepted by Miami-Dade County BNC-Product Control Section to be used in Miami-Dade County and other areas where allowed by the Authority Having Jurisdiction (AHJ).

This NOA shall not be valid after the expiration date stated below. The Miami-Dade County Product Control Section (In Miami-Dade County) and/or the AHJ (in areas other than Miami-Dade County) reserve the right to have this product or material tested for quality assurance purposes. If this product or material fails to perform in the accepted manner, the manufacturer will incur the expense of such testing and the AHJ may immediately revoke, modify, or suspend the use of such product or material within their jurisdiction. BNC reserves the right to revoke this acceptance, if it is determined by Miami-Dade County Product Control Section that this product or material fails to meet the requirements of the applicable building code.

This product is approved as described herein, and has been designed to comply with the Florida Building Code, including the High Velocity Hurricane Zone.

DESCRIPTION: Series "Fixed Door Sidelite & Transom" Wood Fixed Window - L.M.I.

APPROVAL DOCUMENT: Drawing No. 10-144, Series titled "Fixed Window Combo of Glass/ Wood Panel or Glass only", sheets 1 through 12 of 12, dated 06/28/2007 with the latest revision dated 06/30/2010, prepared by EngCo, Inc., signed and sealed by Pedro M. De Figueiredo, P. E., bearing the Miami-Dade County Product Control Revision stamp with the Notice of Acceptance number and Expiration date by the Miami-Dade County Product Control Section.

MISSILE IMPACT RATING: Large and Small Missile Impact Resistant

LABELING: Each unit shall bear a permanent label with the manufacturer's name or logo, city, state and following statement: "Miami-Dade County Product Control Approved", unless otherwise noted herein.

RENEWAL of this NOA shall be considered after a renewal application has been filed and there has been no change in the applicable building code negatively affecting the performance of this product.

TERMINATION of this NOA will occur after the expiration date or if there has been a revision or change in the materials, use, and/ or manufacture of the product or process. Misuse of this NOA as an endorsement of any product, for sales, advertising or any other purposes shall automatically terminate this NOA. Failure to comply with any section of this NOA shall be cause for termination and removal of NOA.

ADVERTISEMENT: The NOA number preceded by the words Miami-Dade County, Florida, and followed by the expiration date may be displayed in advertising literature. If any portion of the NOA is displayed, then it shall be done in its entirety.

INSPECTION: A copy of this entire NOA shall be provided to the user by the manufacturer or its distributors and shall be available for inspection at the job site at the request of the Building Official. This NOA revises NOA No. 07-0828.04 and consists of this page 1 and evidence pages E-1 and E-2, as well as approval document mentioned above.

The submitted documentation was reviewed by **Jaime D. Gascon, P. E.**



J. Gascon
4/29/11

NOA No. 10-1110.04
Expiration Date: November 29, 2012
Approval Date: May 05, 2011
Page 1


NOTICE OF ACCEPTANCE: EVIDENCE SUBMITTED

A. DRAWINGS

1. Manufacturer's die drawings and sections.
2. Drawing No. **10-144**, Series titled "Fixed Window Combo of Glass/ Wood Panel or Glass only", sheets 1 through 12 of 12, dated 06/28/2007 with the latest revision dated 06/30/2010, prepared by EngCo, Inc., signed and sealed by Pedro M. De Figueiredo, P. E.

B. TESTS

1. Test reports on: 1) Large Missile Impact Test per FBC, TAS 201-94
2) Cyclic Wind Pressure Loading per FBC, TAS 203-94
along with marked-up drawings and installation diagram, prepared by Hurricane Engineering & Testing, Inc., Test Reports No.'s **HETI-06-4077**, **HETI-05-1941** and **HETI-04-1926**, dated 03/07/2007, 11/11 and 08/17/2005, all signed and sealed by Rafael E. Droz-Seda, P. E.
(Submitted under previous NOA No.07-0828.04)
2. Test reports on: 1) Uniform Static Air Pressure Test, Loading per FBC TAS 202-94
2) Forced Entry Test, per FBC 2411 3.2.1, TAS 202-94
3) Water Resistance Test, per FBC, TAS 202-94
4) Air Infiltration Test, per FBC, TAS 202-94
along with marked-up drawings and installation diagram, prepared by Hurricane Engineering & Testing, Inc., Test Report No. **HETI-06-4076**, dated 03/07/2007, signed and sealed by Rafael E. Droz-Seda, P. E.
(Submitted under previous NOA No.07-0828.04)
3. Test reports on: 1) Uniform Static Air Pressure Test, Loading per FBC TAS 202-94
2) Forced Entry Test, per FBC 2411 3.2.1, TAS 202-94
along with marked-up drawings and installation diagram, prepared by Hurricane Engineering & Testing, Inc., Test Report No. **HETI-04-1924**, dated 02/08/2005, signed and sealed by Rafael E. Droz-Seda, P.E.
(Submitted under previous NOA No.07-0828.04)
4. Test reports on: 1) Uniform Static Air Pressure Test, Loading per FBC TAS 202-94
2) Forced Entry Test, per FBC 2411 3.2.1, TAS 202-94
along with marked-up drawings and installation diagram, prepared by Hurricane Engineering & Testing, Inc., Test Report No. **HETI-04-1925**, dated 11/03/2004, signed and sealed by Rafael E. Droz-Seda, P. E.
(Submitted under previous NOA No.07-0828.04)



Jaime D. Gascon, P. E.
Product Control Section Supervisor
NOA No. 10-1110.04
Expiration Date: November 29, 2012
Approval Date: May 05, 2011

NOTICE OF ACCEPTANCE: EVIDENCE SUBMITTED

C. CALCULATIONS

1. Anchor verification calculations and structural analysis, complying with FBC-2007, prepared by EngCo, Inc., dated 07/15/2010, signed and sealed by Pedro M. De Figueiredo, P. E.

D. QUALITY ASSURANCE

1. Miami-Dade Building and Neighborhood Compliance Department (BNC).

E. MATERIAL CERTIFICATIONS

1. Notice of Acceptance No. **08-0709.04** issued to Nebula Glass International dba Glasslam N.G.I., Inc. for their "**Safety-Plus II Laminated Glass**" dated 09/11/08, expiring on 08/07/13.
2. Notice of Acceptance No. **08-0520.08** issued to Solutia Inc. for their "**Vanceva Composites Glass Interlayer**" dated 7/17/08, expiring on 12/11/13.

F. STATEMENTS

1. Statement letter of conformance, no financial interest and compliance with FBC-2007, dated 06/30/2010, EngCo, Inc., signed and sealed by Pedro M. De Figueiredo, P. E.
2. Laboratory compliance letter for Test Reports No.'s **HETI - 04 - 1925, HETI-04-1924, HETI-06-4076, HETI-06-4077, HETI-05-1941 and HETI-04-1926**, issued by Hurricane Engineering & Testing, Inc., dated 03/07/2007, 11/03/2004, 02/08, 08/17 and 11/11/2005, all signed and sealed by Rafael E. Droz-Seda, P. E.
(Submitted under previous NOA No. 07-0828.04)
3. Proposal No. **03-0708R** issued by BCCO, dated January 29, 2004, signed by Jaime D. Gascon, P. E.

G. OTHERS

1. Notice of Acceptance No. **07-0828.04**, issued to All American Supply Company for their Series "**Fixed Door Sidelite & Transom**" **Wood Fixed Window - L.M.I.**", approved on 11/29/07 and expiring on 11/29/12.



Jaime D. Gascon, P. E.

Product Control Section Supervisor

NOA No. 10-1110.04

Expiration Date: November 29, 2012

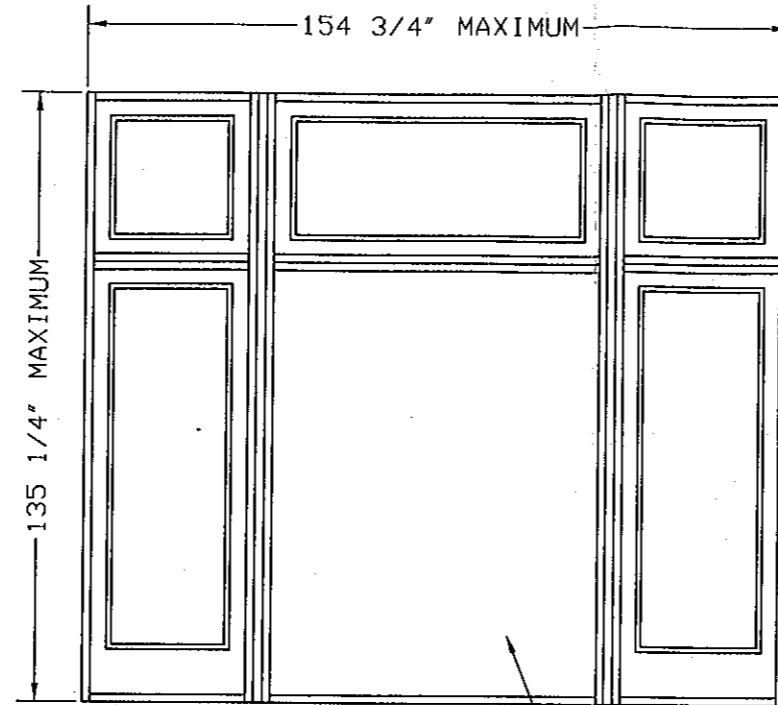
Approval Date: May 05, 2011

TABLE OF CONTENTS:

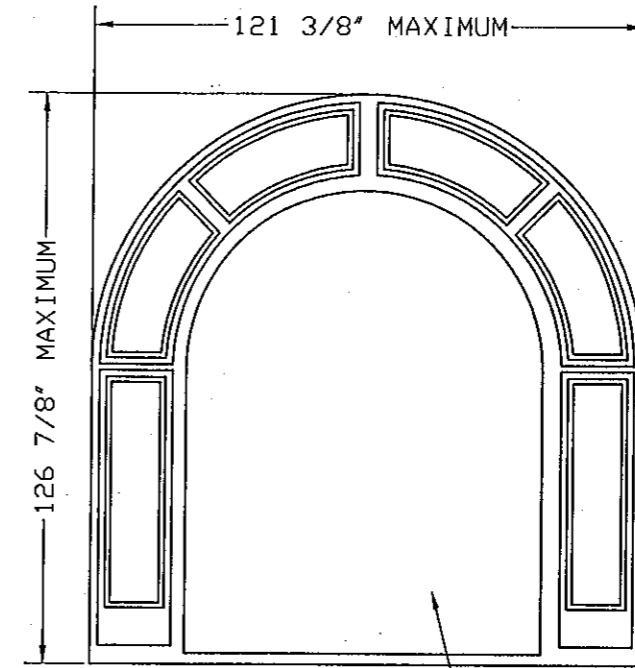
SHEET	DESCRIPTION
1 OF 12	GENERAL NOTES & MODEL TYPES
2 OF 12	MODEL E ELEV.
3 OF 12	MODEL D ELEV.
4 OF 12	MODEL C1 ELEV. - SASH OPTIONS
5 OF 12	GLAZING OPTIONS
6 OF 12	DETAILS
7 OF 12	DETAILS
8 OF 12	DETAILS
9 OF 12	FRAMING ANCHORAGE
10 OF 12	COMPONENTS
11 OF 12	WINDOW ASSEMBLY
12 OF 12	FRAMING ASSEMBLY

GENERAL NOTES:

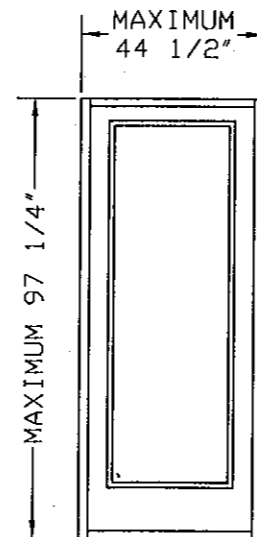
- 1- CODE: THIS PRODUCT HAS BEEN TESTED AND DESIGNED IN ACCORDANCE WITH THE FLORIDA BUILDING CODE 2007 ED. INCLUDING THE HIGH VELOCITY HURRICANE ZONES (HVHZ).
- 2- DEFINITION: THIS PRODUCT IS A FIXED WOOD TYPE WINDOW RATED FOR LARGE AND SMALL MISSILE IMPACT RESISTANCE.
- 3- POSTING:
 - *FIXED WINDOW
 - LARGE & SMALL MISSILE IMPACT RESISTANT
 - ALL AMERICAN MILLWORK LLC.
 - MIAMI - FLORIDA
 - DADE COUNTY PRODUCT CONTROL APPROVED*
- 4- DESIGN LOADS: LOADS MUST BE CALCULATED BY A PROFESSIONAL ARCHITECT OR ENGINEER FOR EACH SPECIFIC PROJECT. THE CALCULATED DESIGNED PRESSURE MUST NOT EXCEED THE ALLOWABLE APPROVED PRESSURE.
- 5- MATERIAL: ALL WOOD AND GLAZING PARTS TO BE AS SPECIFIED ON THIS APPROVAL.
- 6- FASTENERS: ASSEMBLY SCREWS AND ANCHORS SHALL BE AS SPECIFIED IN THIS CURRENT SET OF DRAWINGS.
- 7- USE: IT SHALL BE THE RESPONSIBILITY OF THE CONTRACTOR, ARCHITECT OR ENGINEER OF RECORD TO VERIFY THE FOLLOWING:
 - 7.1- THE STABILITY OF THE STRUCTURE WHERE THE UNIT IS TO BE ATTACHED INSURING PROPER ANCHORAGE.
 - 7.2- THE SITE SPECIFIC PROJECT CRITERIA, SUCH AS BUT NOT LIMITED TO; LOCAL CODE REQUIREMENTS, DESIGNED PRESSURES ETC.
 - 7.3- THAT THIS APPROVAL IS ADEQUATE TO THE SPECIFIC PROJECT.
- 8- 33 1/3% INCREASE IN ALLOWABLE LOADS HAVE NOT BEEN USED IN THE DESIGN OF THE ANCHORS FOR THIS PRODUCT APPROVAL, EXCEPT WOOD SCREWS WITH 1.6 INCREASE FOR WIND LOAD DURATION HAVE BEEN USED FOR WOOD TO WOOD CONNECTION.



MODEL E
WINDOW W/ SIDELITE & TRANSOM
FOR DETAILS AND DESIGNED PRESSURES
REFER TO: SHEET 2 OF 12



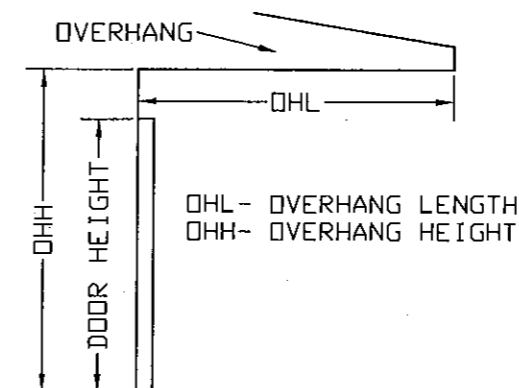
MODEL D
DOUBLE ARCH FIXED WINDOW
FOR DETAILS AND DESIGNED PRESSURES
SHEET 3 OF 12



MODEL C1
SQUARE SINGLE FIXED WINDOW
FOR DETAILS AND DESIGNED PRESSURES
SHEET 4 OF 12

EACH WINDOW, SIDELITE AND TRANSOM
MODEL CAN BE DESIGNED FOR ALL SASH
OPTIONS ON SHEET 4 OF 12

WATER INFILTRATION EXCEPTIONS
DOOR/WINDOW ASSEMBLIES INSTALLED IN NONHABITABLE AREAS OR
INSTALLED UNDER AN OVERHANG WITH RATIO LENGTH/HEIGHT EQUAL
OR MORE THAN 1, DO NOT NEED TO MEET THE TEST FOR WATER
INFILTRATION.

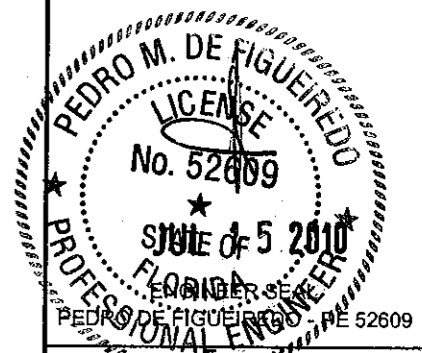


OHL - OVERHANG LENGTH
OHH - OVERHANG HEIGHT

MANUFACTURER:
**ALL AMERICAN
MILLWORK LLC**
12920 SW 120 STREET
MIAMI- FLORIDA- 33186
TEL : (305) 255-7783
FAX : (305) 255-6613
WWW.DISTINCTIVEDOORS.COM

PRODUCT:
**FIXED
WINDOW**
COMBO OF GLASS / WOOD PANEL
OR GLASS ONLY

Engineering:
EngCo Inc.
CA 8116
6971 W. SUNRISE BLVD. 104
PLANTATION, FLORIDA 33313
http://engcoinc.biz



DRAFTING
PK DRAFTING & MORE

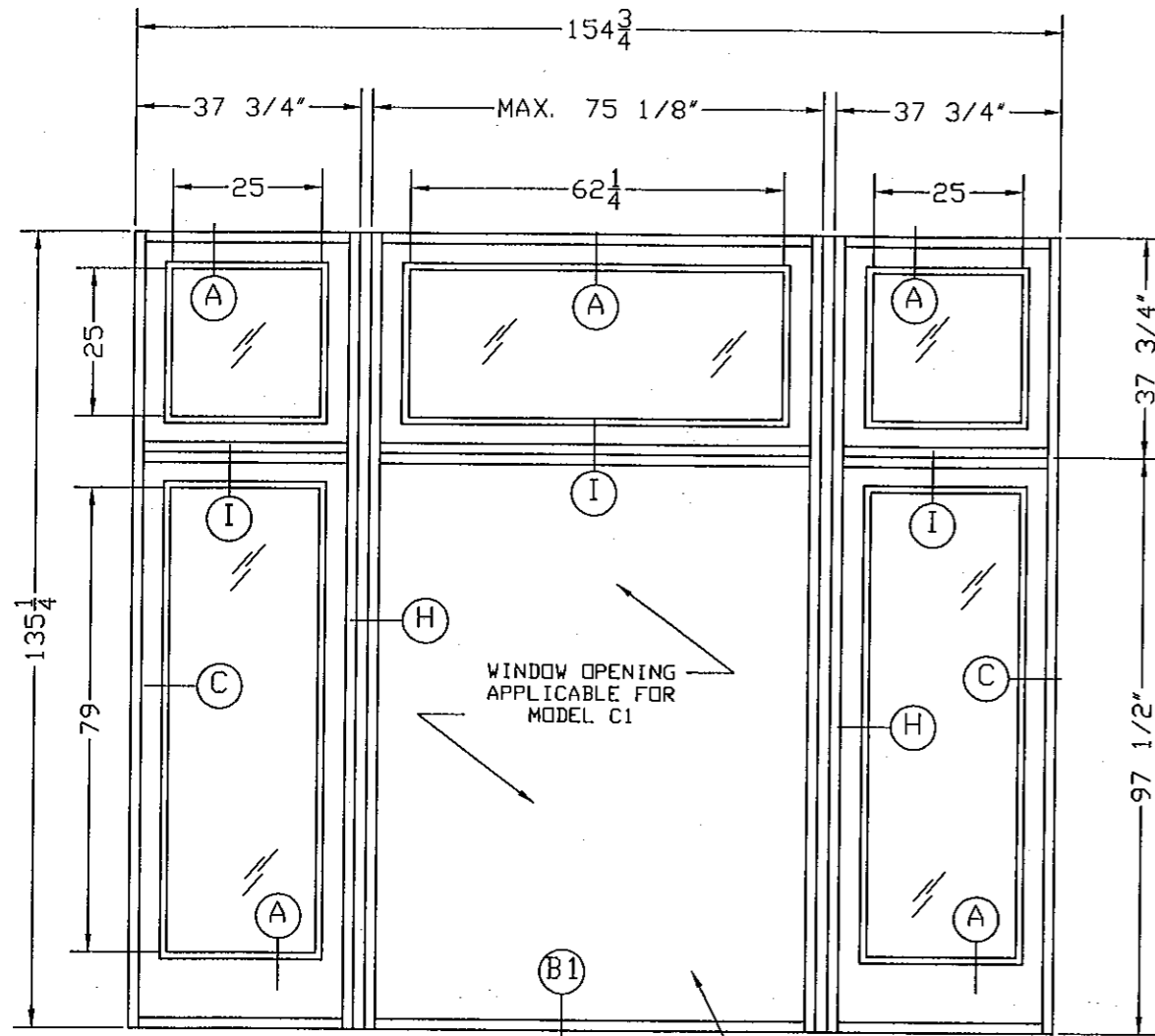
MIAMI-DADE BCCO:

PRODUCT REVISED
as complying with the Florida
Building Code
Acceptance No. **10-110.04**
Expiration Date **11/27/2012**
by *[Signature]*
Miami Dade Product Council
Division

DATE: 06/30/2010
SCALE: NA
DESIGN BY: PPMF

Drawing Number
10-145

SHEET
1 OF 12

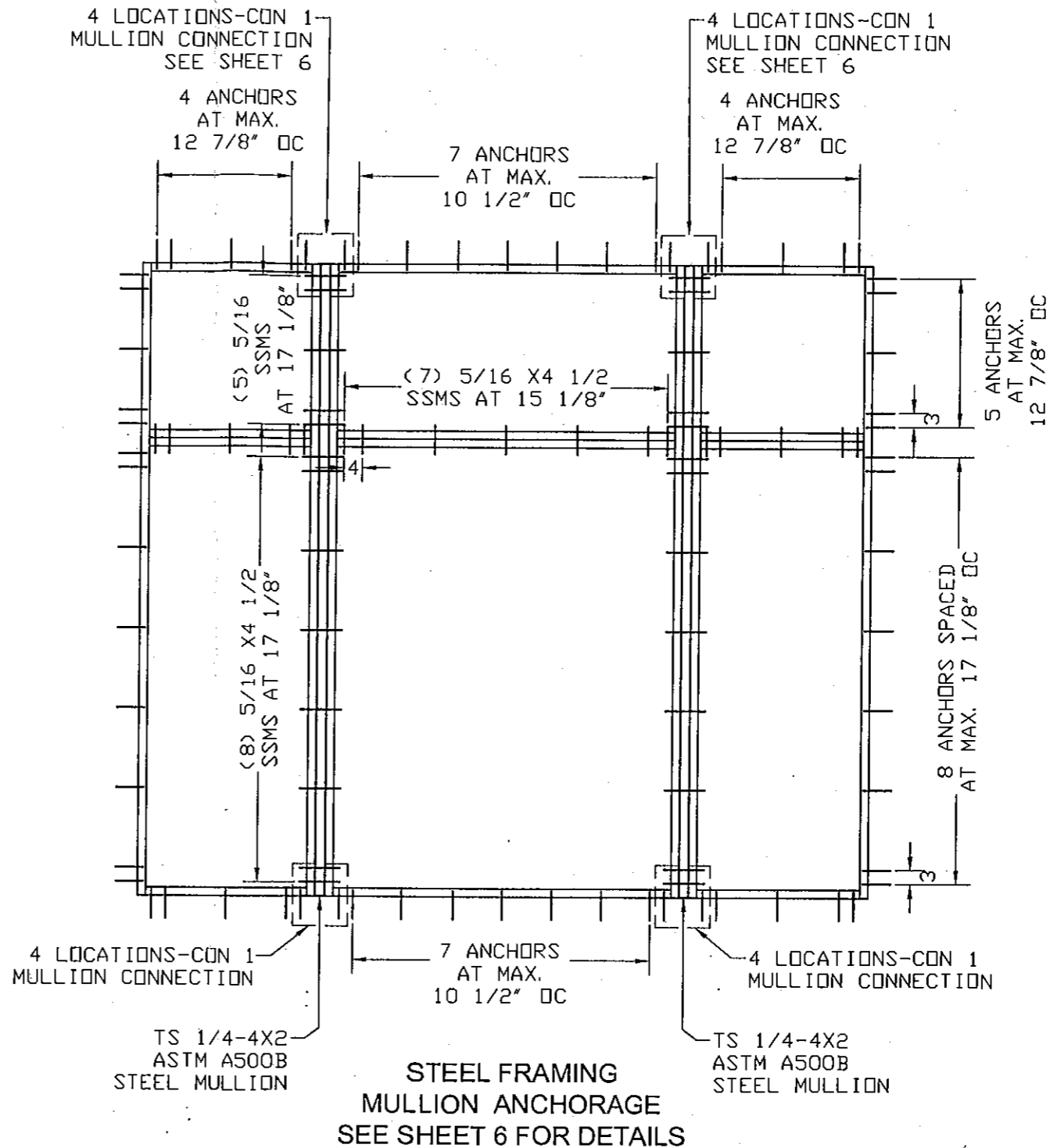


TYPICAL ELEVATIONS

SEE SEPARATE NOA FOR DOOR OR WINDOW

**MODEL E
WINDOW W/ SIDELITE & TRANSOM**
 PD= +75 PSF, -75 PSF - (WATER INFILT. EXCEPTION)
 PD= +60 PSF, -75 PSF - (NO WATER INFILTRATION)
 SEE SHEET 1 OF 12 FOR WATER INFILTRATION EXCEPTION

SHEET	DETAILS SHEET
6	CON1
7	A, B, B1, C, K
8	E1, I, I1, H, J



STEEL FRAMING
MULLION ANCHORAGE
SEE SHEET 6 FOR DETAILS

MIN. WOOD SPECIFIC GRAVITY = .53

MANUFACTURER:
**ALL AMERICAN
MILLWORK LLC**
 12920 SW 120 STREET
 MIAMI- FLORIDA- 33186
 TEL: (305) 255-7783
 FAX: (305) 255-6613
 WWW.DISTINCTIVEDOORS.COM

PRODUCT:
**FIXED
WINDOW**
 COMBO OF GLASS / WOOD PANEL
 OR GLASS ONLY

Engineering:
EngCo Inc.
 CA 8116
 6971 W. SUNRISE BLVD. 104
 PLANTATION, FLORIDA 33313
<http://engcoinc.biz>



DRAFTING:
PK DRAFTING & MORE

MIAMI-DADE BCCO:

PRODUCT REVISED
 as complying with the Florida
 Building Code
 Acceptance No. 10-110-0A
 Expiration Date 11/29/12
 By: *[Signature]*
 Miami Code Product Council
 Division

DATE: 06/30/2010
 SCALE: NA
 DESIGN BY: PPMF

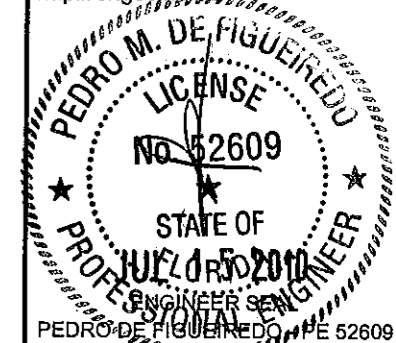
Drawing Number
10-145

SHEET
2 OF 12

MANUFACTURER:
**ALL AMERICAN
MILLWORK LLC**
12920 SW 120 STREET
MIAMI- FLORIDA- 33186
TEL. : (305) 255-7783
FAX : (305) 255-6613
WWW.DISTINCTIVEDOORS.COM

PRODUCT:
**FIXED
WINDOW**
COMBO OF GLASS / WOOD PANEL
OR GLASS ONLY

Engineering:
EngCo Inc.
CA 8116
6971 W. SUNRISE BLVD. 104
PLANTATION, FLORIDA 33313
http://engcoinc.biz



DRAFTING:
PK DRAFTING & MORE

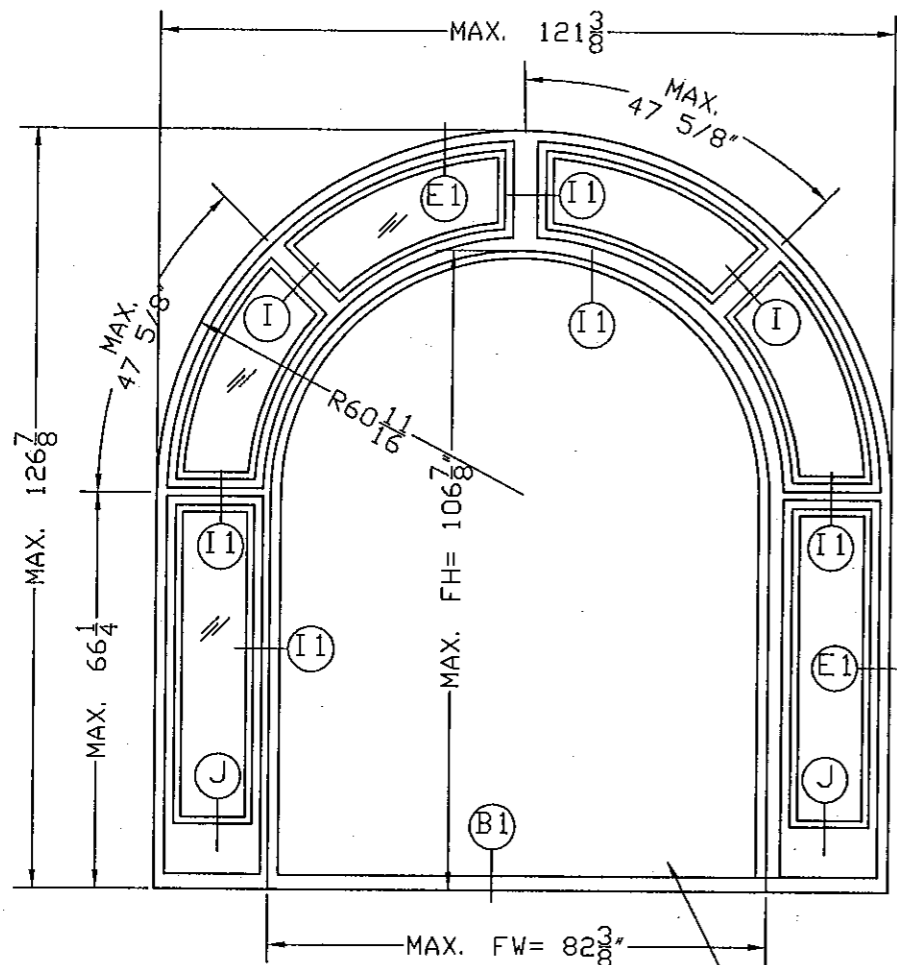
MIAMI-DADE BCCO:

PRODUCT REVISED
as complying with the Florida
Building Code
Acceptance No. 10-1110-04
Expiration Date 11/29/12
By *[Signature]*
Miami Dade Product Control
Division

DATE: 06/30/2010
SCALE: NA
DESIGN BY: PPMF

Drawing Number
10-145

SHEET
3 OF 12

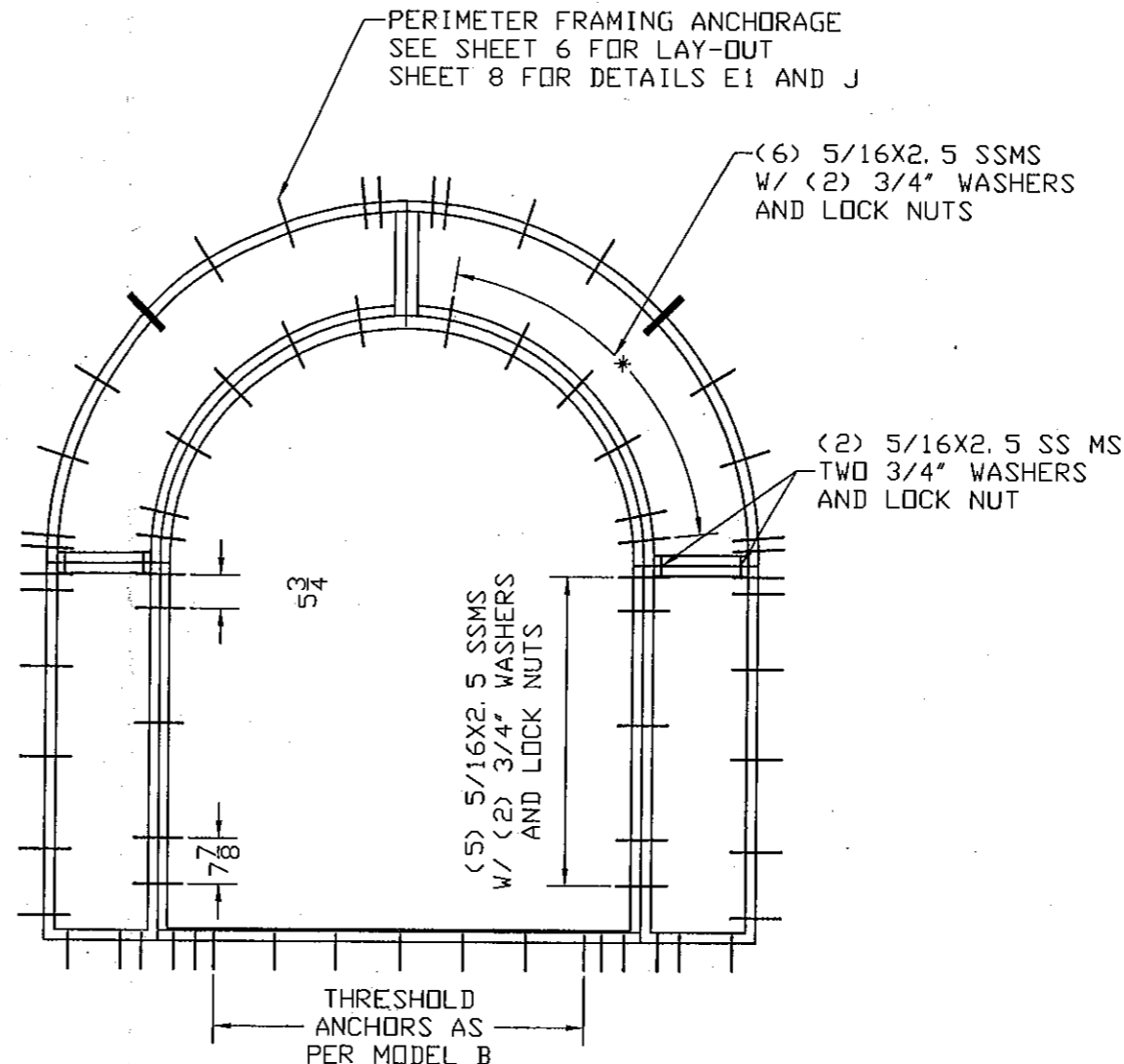


TYPICAL ELEVATIONS

SEE SEPARATE NOA
FOR DOOR OR WINDOW

MODEL D
DOUBLE ARCH FIXED WINDOW
PD= +75 PSF, -75 PSF - (WATER INFILT. EXCEPTION)
PD= +60 PSF, -75 PSF - (NO WATER INFILTRATION)
SEE SHEET 1 OF 12 FOR WATER INFILTRATION EXCEPTION

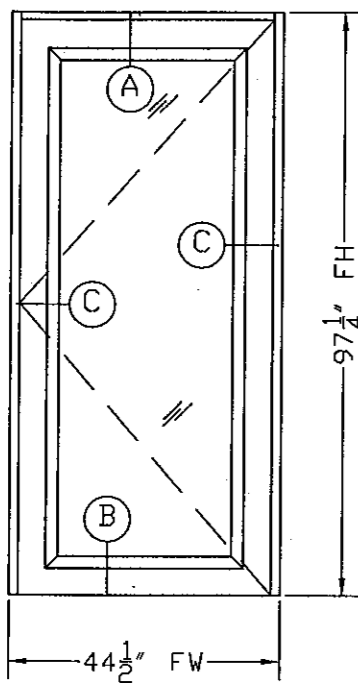
SHEET	DETAILS SHEET
6	CON1
7	A, B, B1, C, K
8	E1, I, I1, H, J



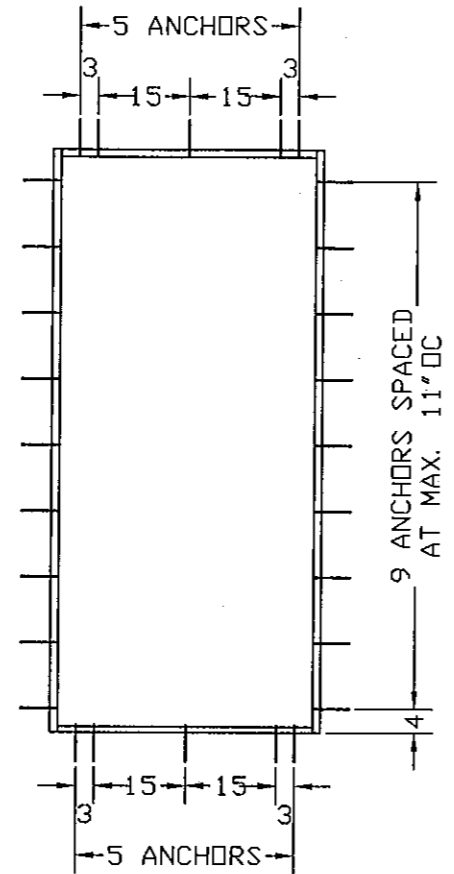
STEEL FRAMING
REINFORCEMENT ANCHORAGE
SEE SHEET 8 DETAIL H FOR DETAILS

MIN. WOOD SPECIFIC GRAVITY = .53

MIN. WOOD SPECIFIC GRAVITY = .53



TYPICAL ELEVATIONS

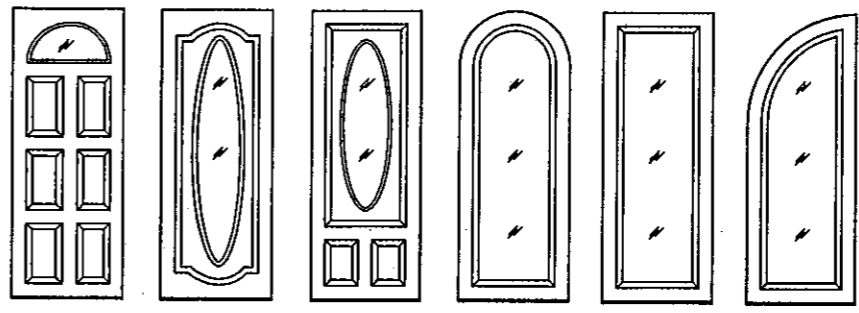


TYPICAL FRAME ANCHORAGE

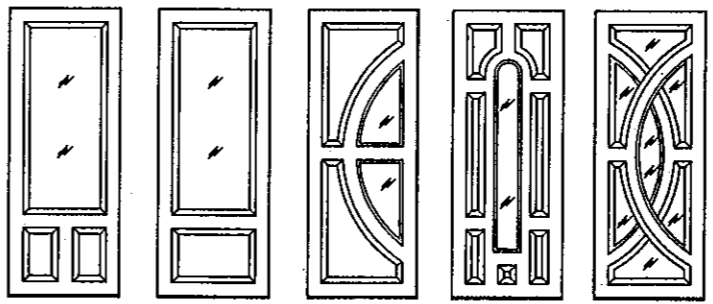
MODEL C1
 SQUARE FIXED WINDOW
 PD= +75 PSF, -75 PSF - (WATER INFILT. EXCEPTION)
 PD= +60 PSF, -75 PSF - (NO WATER INFILTRATION)
 SEE SHEET 1 OF 12 FOR WATER INFILTRATION EXCEPTION

SHEET	DETAILS SHEET
6	CON1
7	A, B, B1, C, K
8	E1, I, I1, H, J

SASH PANEL OPTIONS



- 103S
103A
103E
- 104S
104A
104E
- 105S
105A
105E
- 107A
107E
- 107S
- 108A
108E



- 110S
110A
110E
- 111S
111A
111E
- 112S
112A
112E
- 113S
113A
113E
- 114S
114A
114E

MODEL	ARCH	SQUARE	ELLIPTICAL	DESCRIPTION
103	A	S	E	6 SOLID / 1 GLAZED PANELS
104	A	S	E	1 OVAL GLAZED PANEL
105	A	S	E	2 SOLID / 1 OVAL GLAZED PANEL
107	A	S	E	1 GLAZED PANEL - PAIR/SINGLE
108	A	-	E	1 GLAZED PANEL - PAIR
110	A	S	E	1 GLAZED / 2 SOLID PANEL
111	A	S	E	1 GLAZED / 1 SOLID PANEL
112	A	S	E	GLAZED/SOLID CUSTOM DESIGN
113	A	S	E	GLAZED/SOLID CUSTOM DESIGN
114	A	S	E	GLAZED/SOLID CUSTOM DESIGN

MANUFACTURER:
ALL AMERICAN MILLWORK LLC
 12920 SW 120 STREET
 MIAMI- FLORIDA- 33186
 TEL : (305) 255-7783
 FAX : (305) 255-6613
 WWW.DISTINCTIVEDOORS.COM

PRODUCT:
FIXED WINDOW
 COMBO OF GLASS / WOOD PANEL OR GLASS ONLY

Engineering:
EngCo Inc.
 CA 8116
 6971 W. SUNRISE BLVD. 104
 PLANTATION, FLORIDA 33313
 http://engcoinc.biz



DRAFTING:
PK DRAFTING & MORE

MIAMI-DADE BCCO:

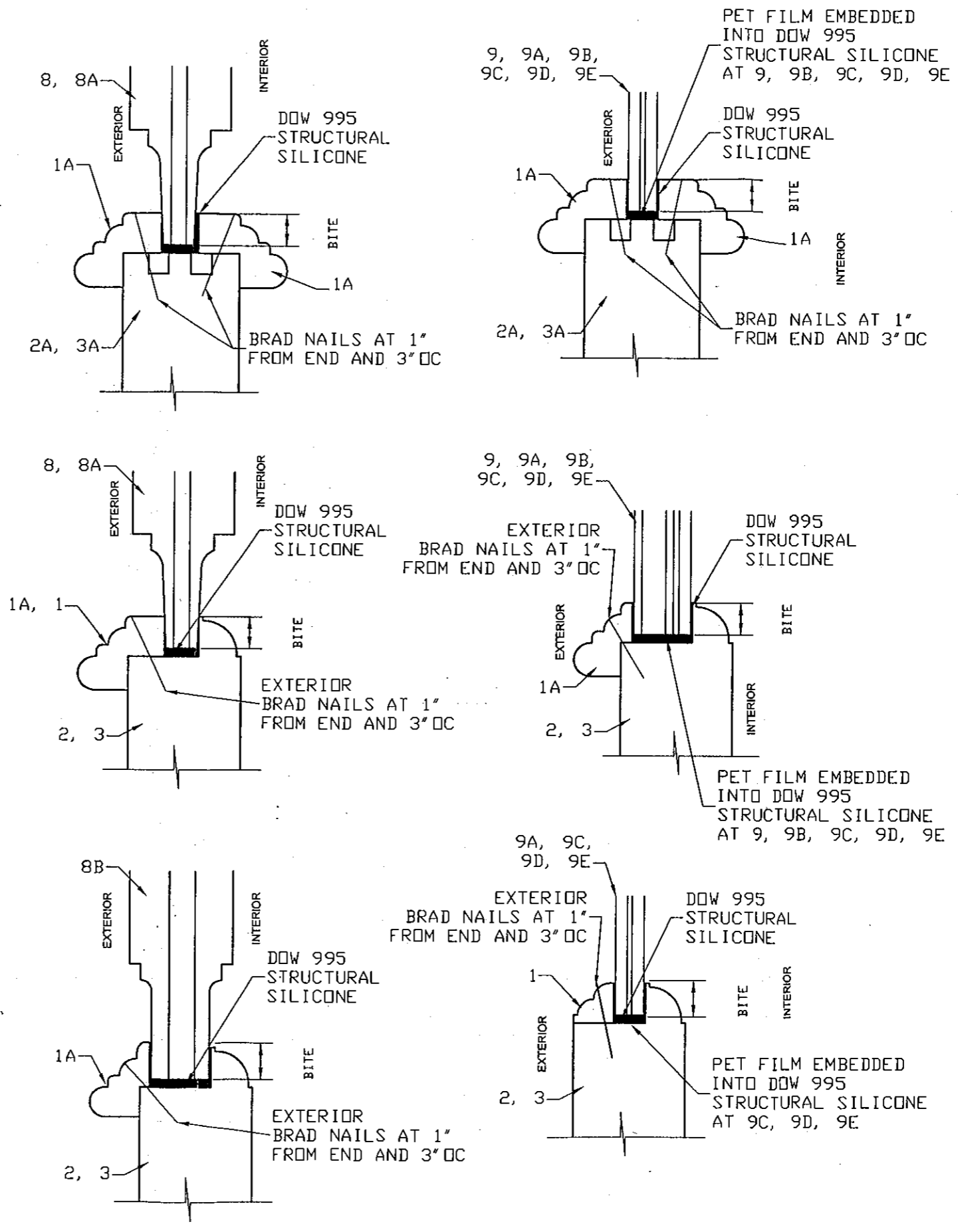
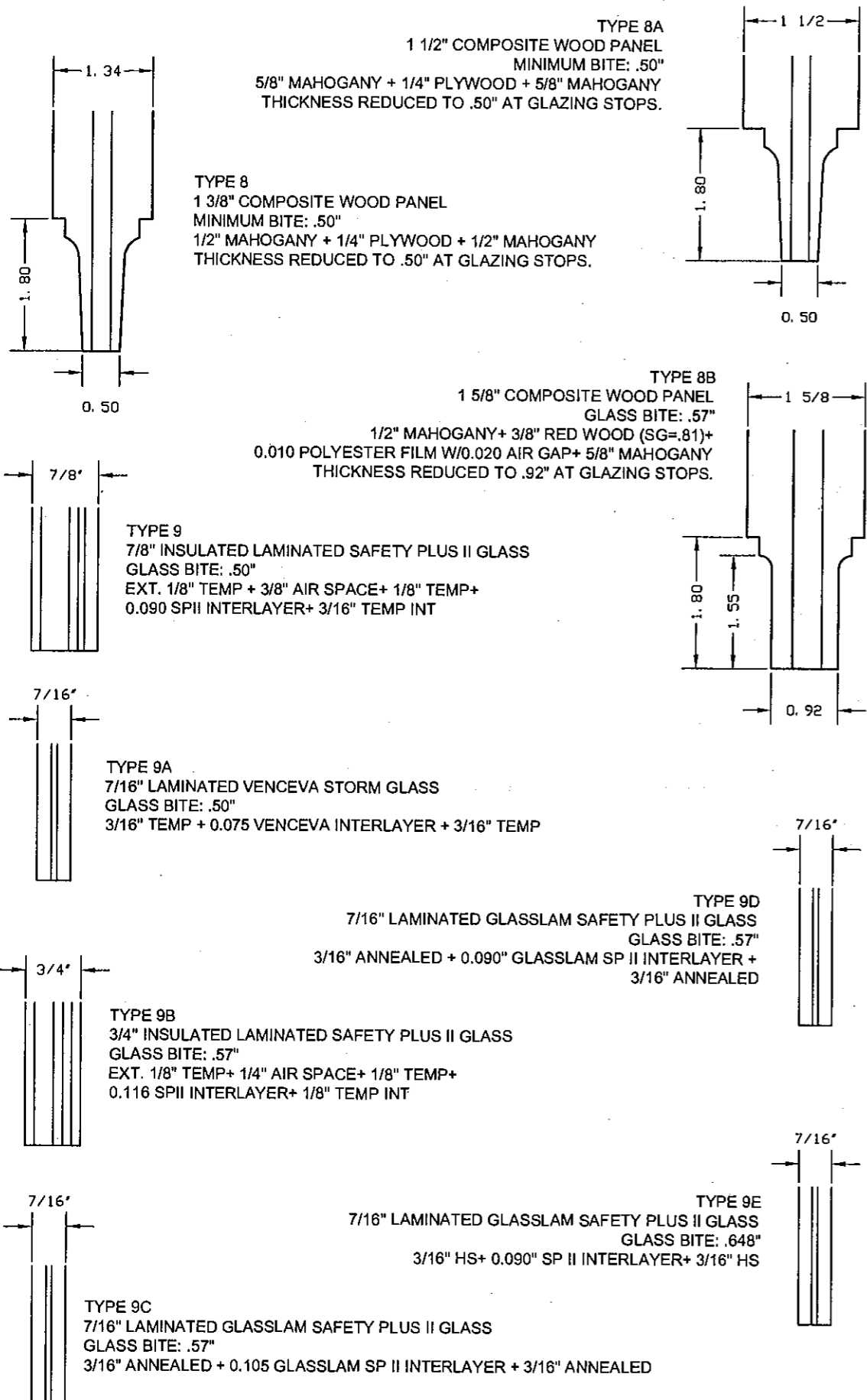
PRODUCT REVISED
 as complying with the Florida Building Code
 Acceptance No 10-1110-04
 Expiration Date 11/29/12
 By *[Signature]*
 Miami Dade Product Control Division

DATE: 06/30/2010
 SCALE: NA
 DESIGN BY: PPMF

Drawing Number
10-145

SHEET
4 OF 12

GLAZING OPTIONS



MANUFACTURER:
ALL AMERICAN MILLWORK LLC
12920 SW 120 STREET
MIAMI- FLORIDA- 33186
TEL: (305) 255-7783
FAX: (305) 255-6613
WWW.DISTINCTIVEDOORS.COM

PRODUCT:
FIXED WINDOW
COMBO OF GLASS / WOOD PANEL OR GLASS ONLY

Engineering:
EngCo Inc.
CA 8116
6971 W. SUNRISE BLVD. 104
PLANTATION, FLORIDA 33313
http://engcoinc.biz



DRAFTING:
PK DRAFTING & MORE

MIAMI-DADE BCCO:

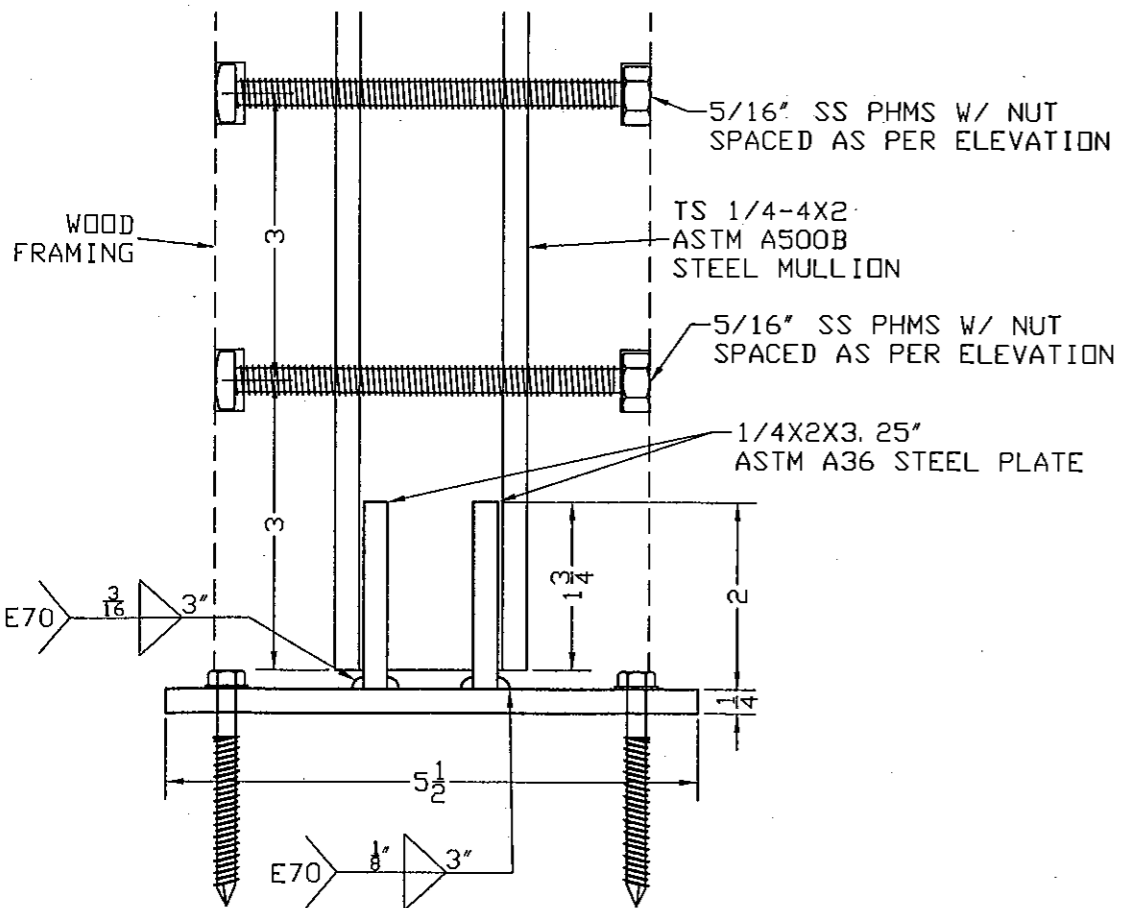
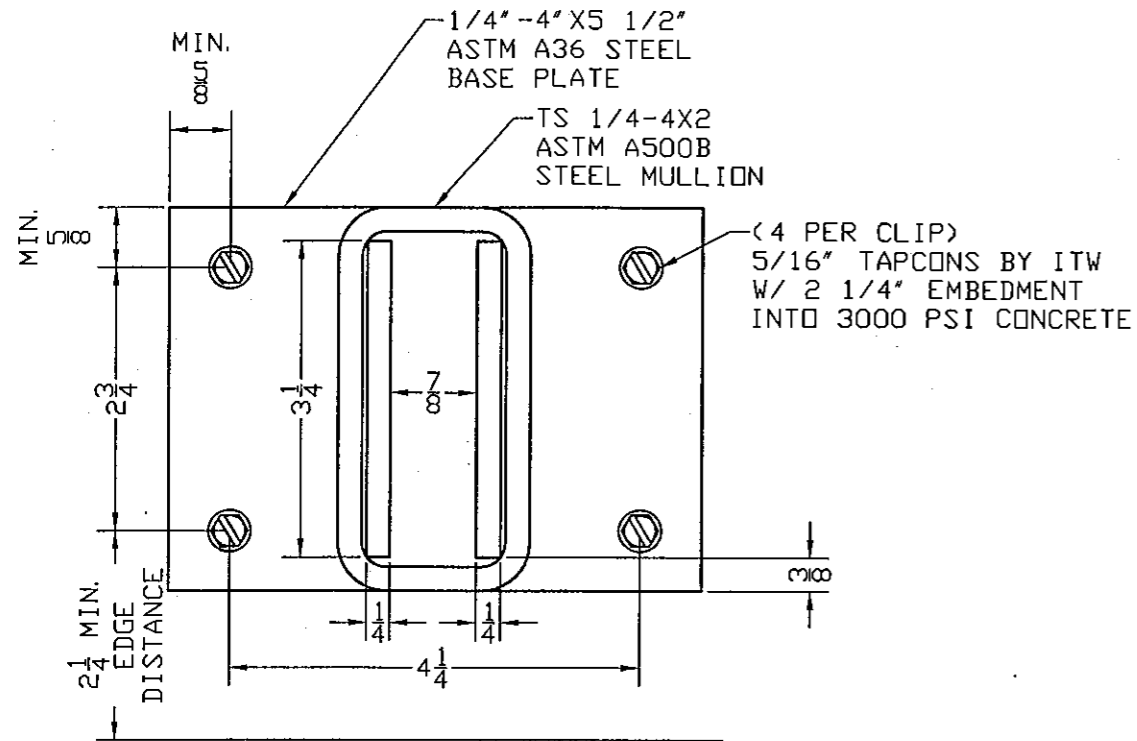
PRODUCT REVISED
as complying with the Florida Building Code
Acceptance No. 10-1110.04
Expiration Date 11/29/12
By: *[Signature]*
Miami Dade Product Control Division

DATE: 06/30/2010
SCALE: NA
DESIGN BY: PPMF

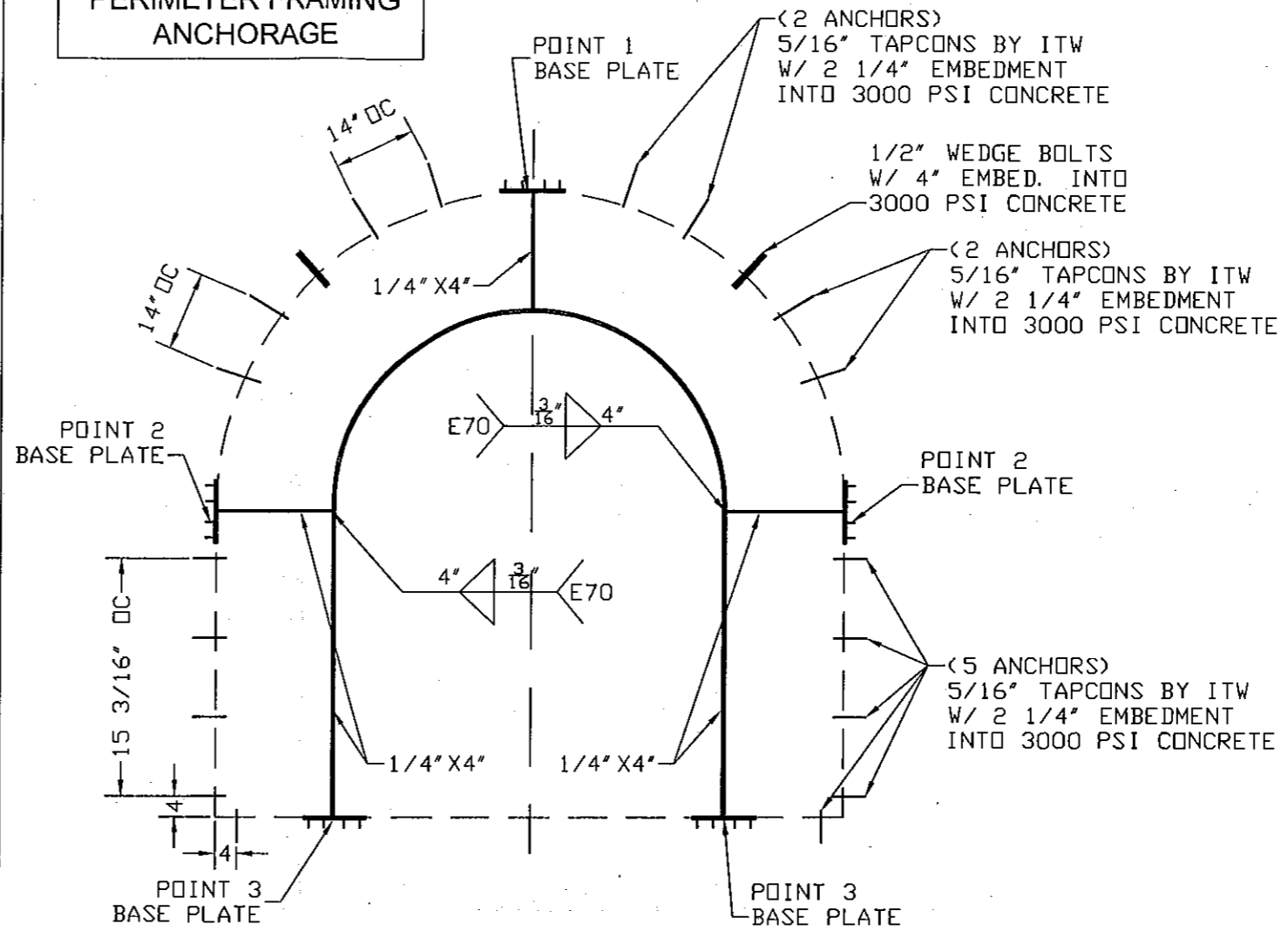
Drawing Number
10-145

SHEET
5 OF 12

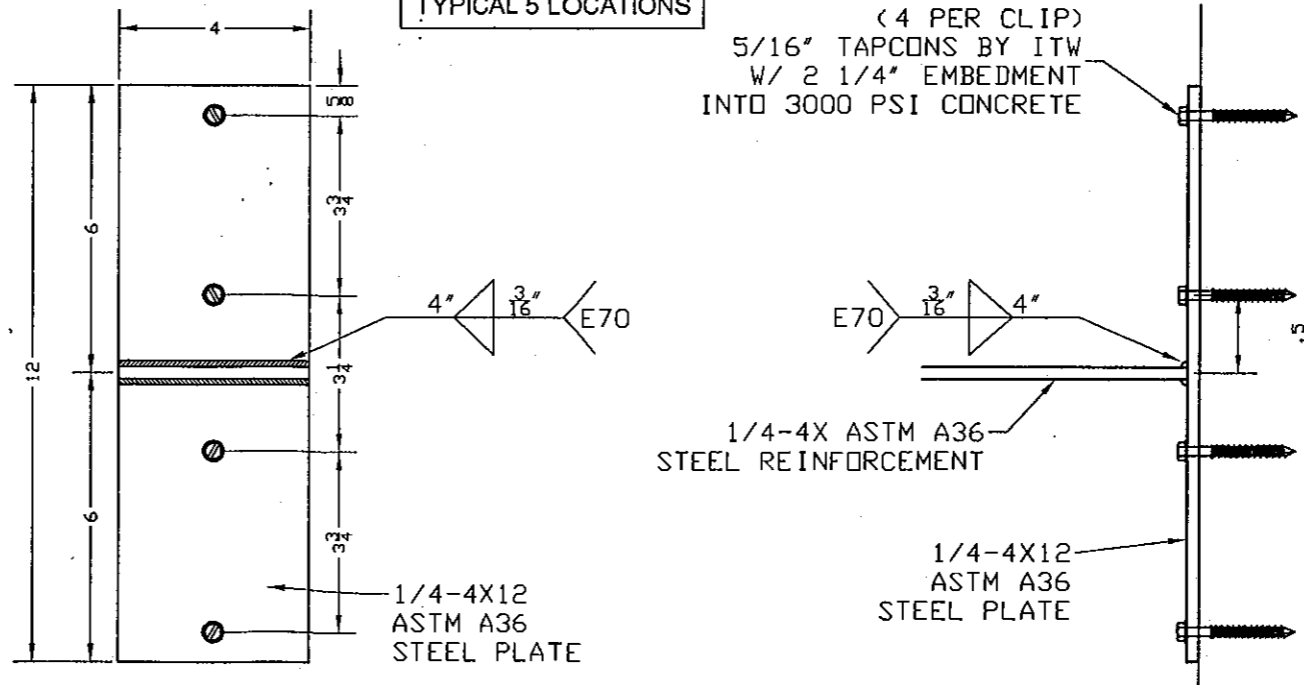
**MODEL E
4 LOCATIONS-CON 1
MULLION CONNECTION**



**MODEL D
PERIMETER FRAMING
ANCHORAGE**



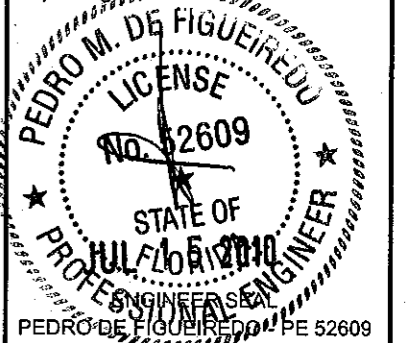
**STEEL BASE PLATE
TYPICAL 5 LOCATIONS**



MANUFACTURER:
**ALL AMERICAN
MILLWORK LLC**
12920 SW 120 STREET
MIAMI- FLORIDA- 33186
TEL : (305) 255-7783
FAX : (305) 255-6613
WWW.DISTINCTIVEDOORS.COM

PRODUCT:
**FIXED
WINDOW**
COMBO OF GLASS / WOOD PANEL
OR GLASS ONLY

Engineering:
EngCo Inc.
CA 8116
6971 W. SUNRISE BLVD. 104
PLANTATION, FLORIDA 33313
http://engcoinc.biz



DRAFTING:
PK DRAFTING & MORE

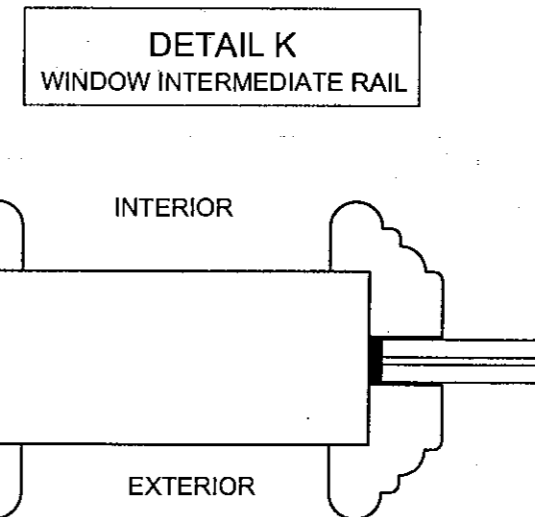
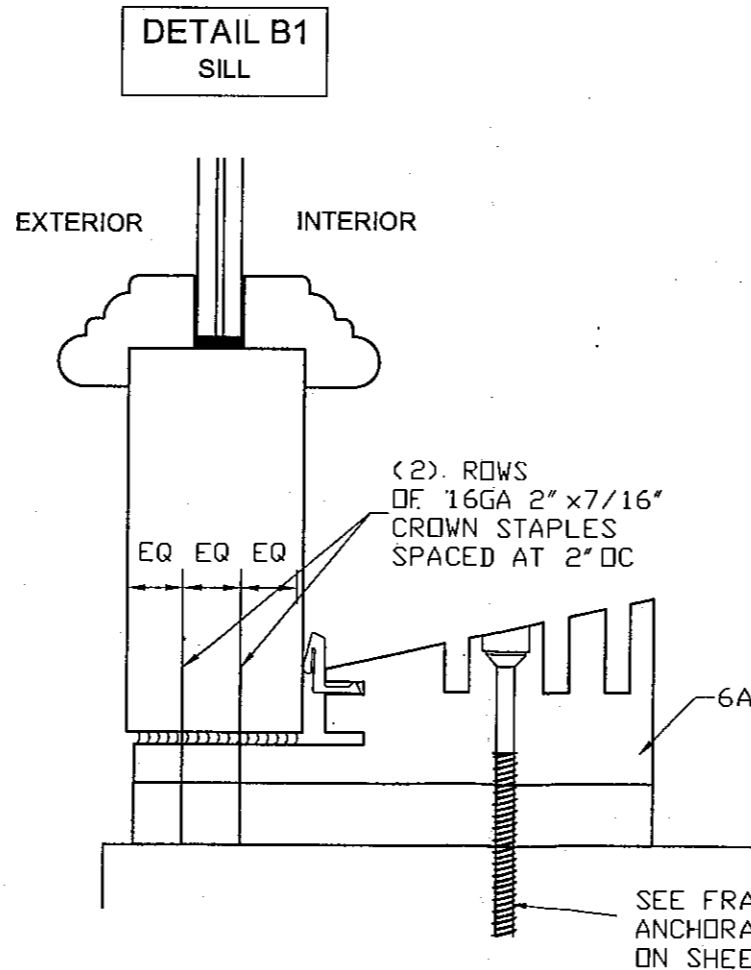
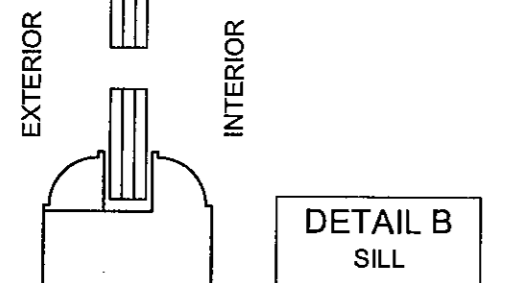
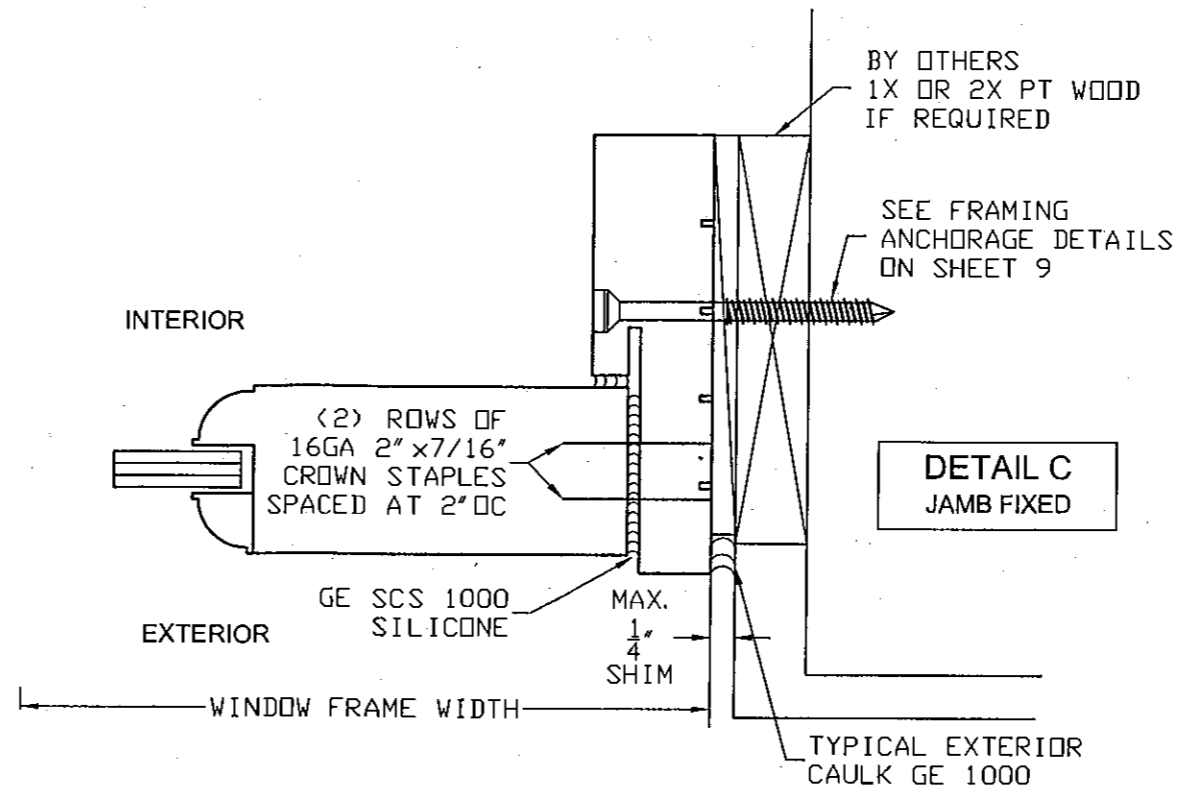
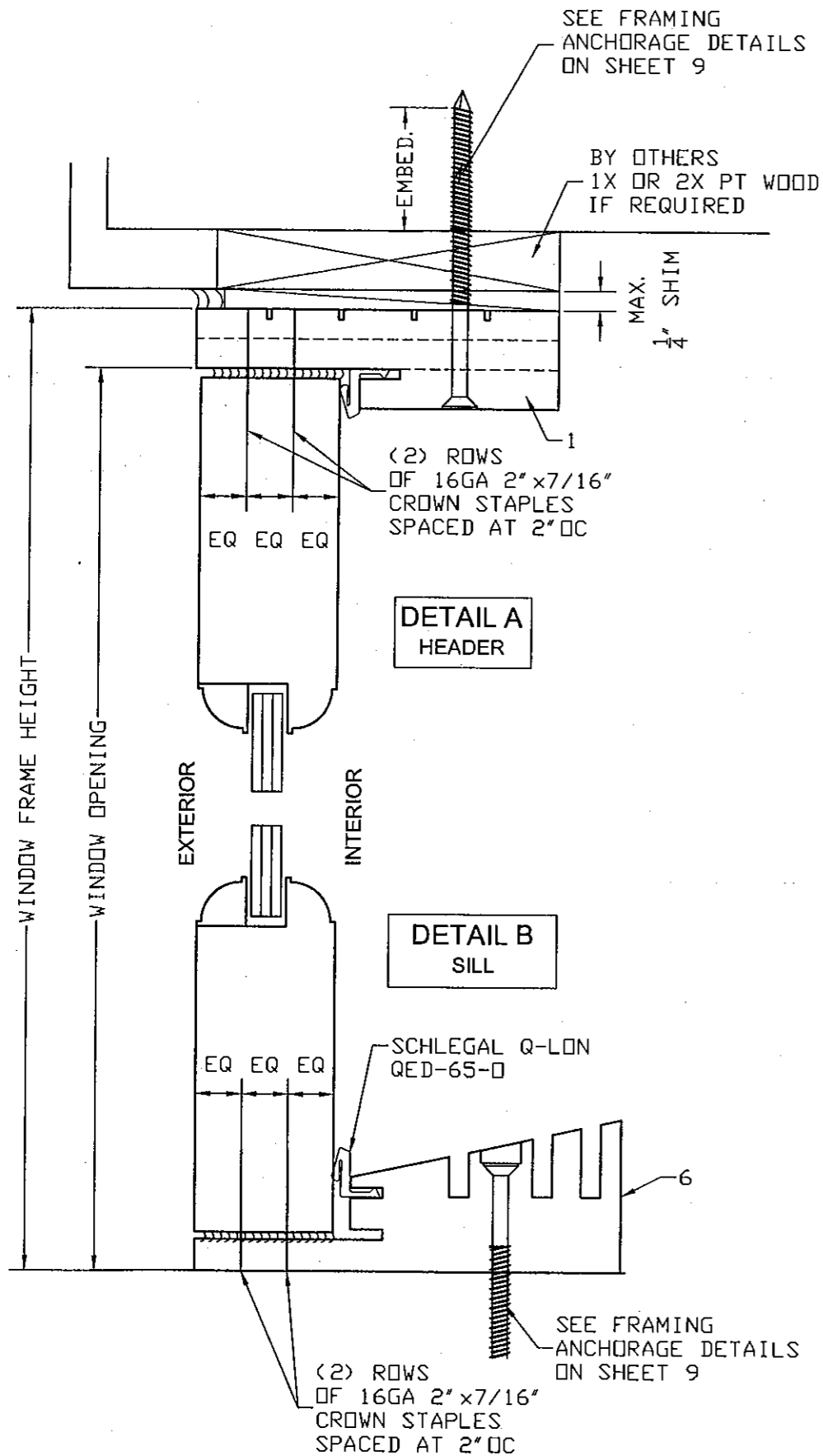
MIAMI-DADE BCCO:

PRODUCT REVISED
as complying with the Florida
Building Code
Acceptance No. 10-1110-04
Expiration Date 11/29/12
By *[Signature]*
Miami Dade Product Control
Division

DATE: 06/30/2010
SCALE: NA
DESIGN BY: PPMF

Drawing Number
10-145

SHEET
6 OF 12



MANUFACTURER:
ALL AMERICAN MILLWORK LLC
12920 SW 120 STREET
MIAMI- FLORIDA- 33186
TEL : (305) 255-7783
FAX : (305) 255-6613
WWW.DISTINCTIVEDOORS.COM

PRODUCT:
FIXED WINDOW
COMBO OF GLASS / WOOD PANEL OR GLASS ONLY

Engineering:
EngCo Inc.
CA 8116
6971 W. SUNRISE BLVD, 104
PLANTATION, FLORIDA, 33313
<http://engcoinc.com>

PEDRO M. DE FIGUEIREDO
LICENSE
No. 52609
STATE OF FLORIDA
PROFESSIONAL ENGINEER
ENGINEER SEAL
PEDRO DE FIGUEIREDO - PE 52609

DRAFTING:
PK DRAFTING & MORE

MIAMI-DADE BCCO:

PRODUCT REVISED
as complying with the Florida Building Code
Acceptance No. 10-1110-04
Expiration Date 11/29/12
By *[Signature]*
Miami Dade Product Control Division

DATE: 06/30/2010
SCALE: NA
DESIGN BY: PPMF

Drawing Number
10-145

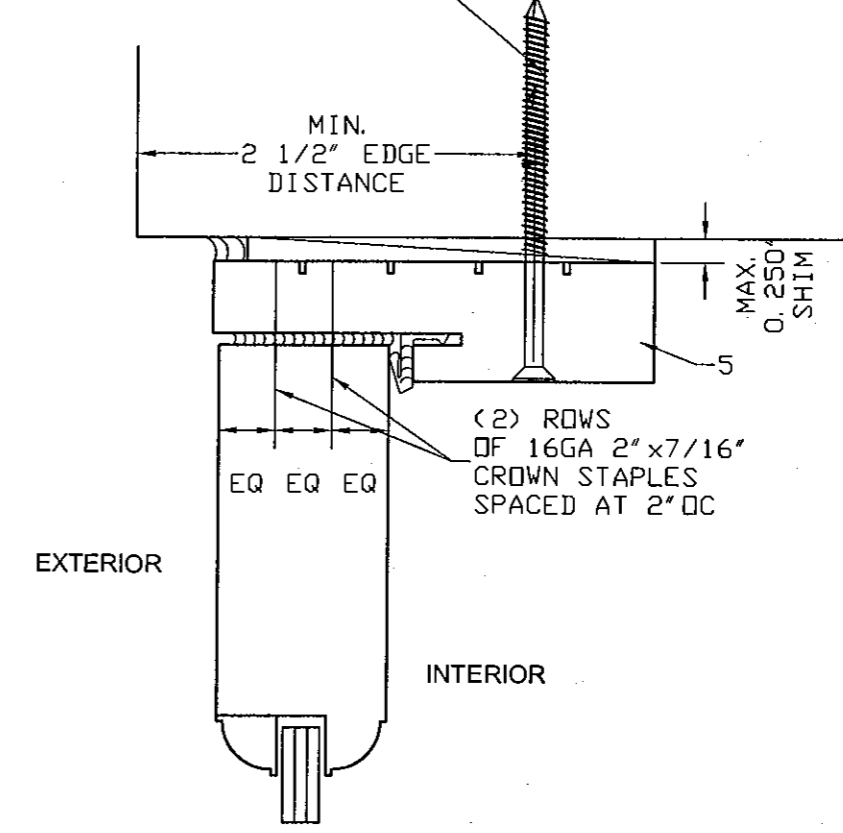
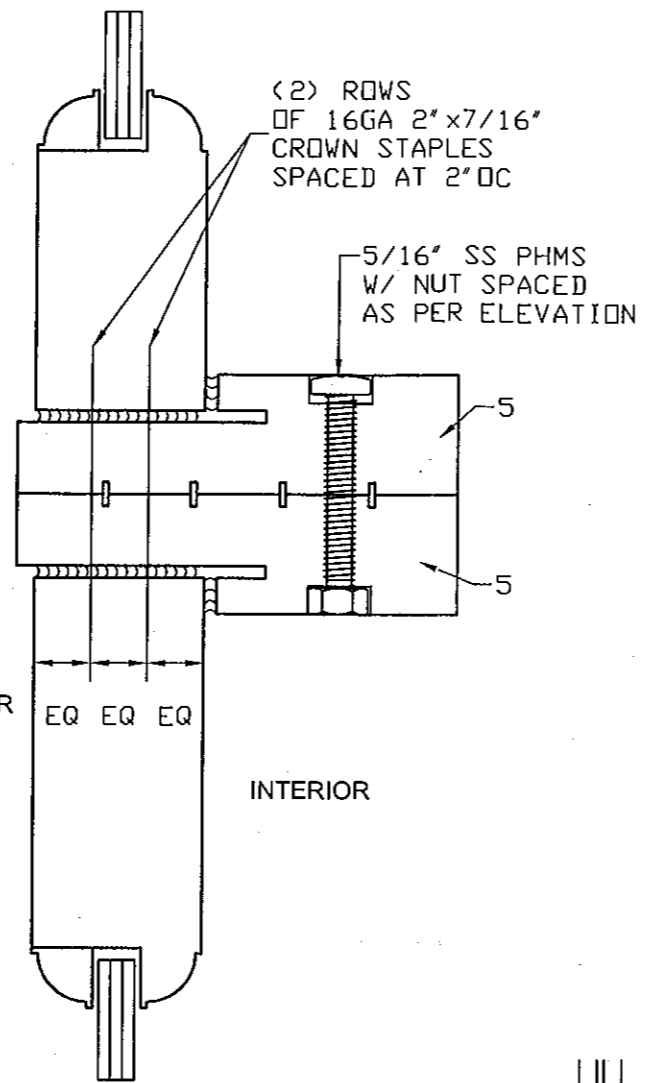
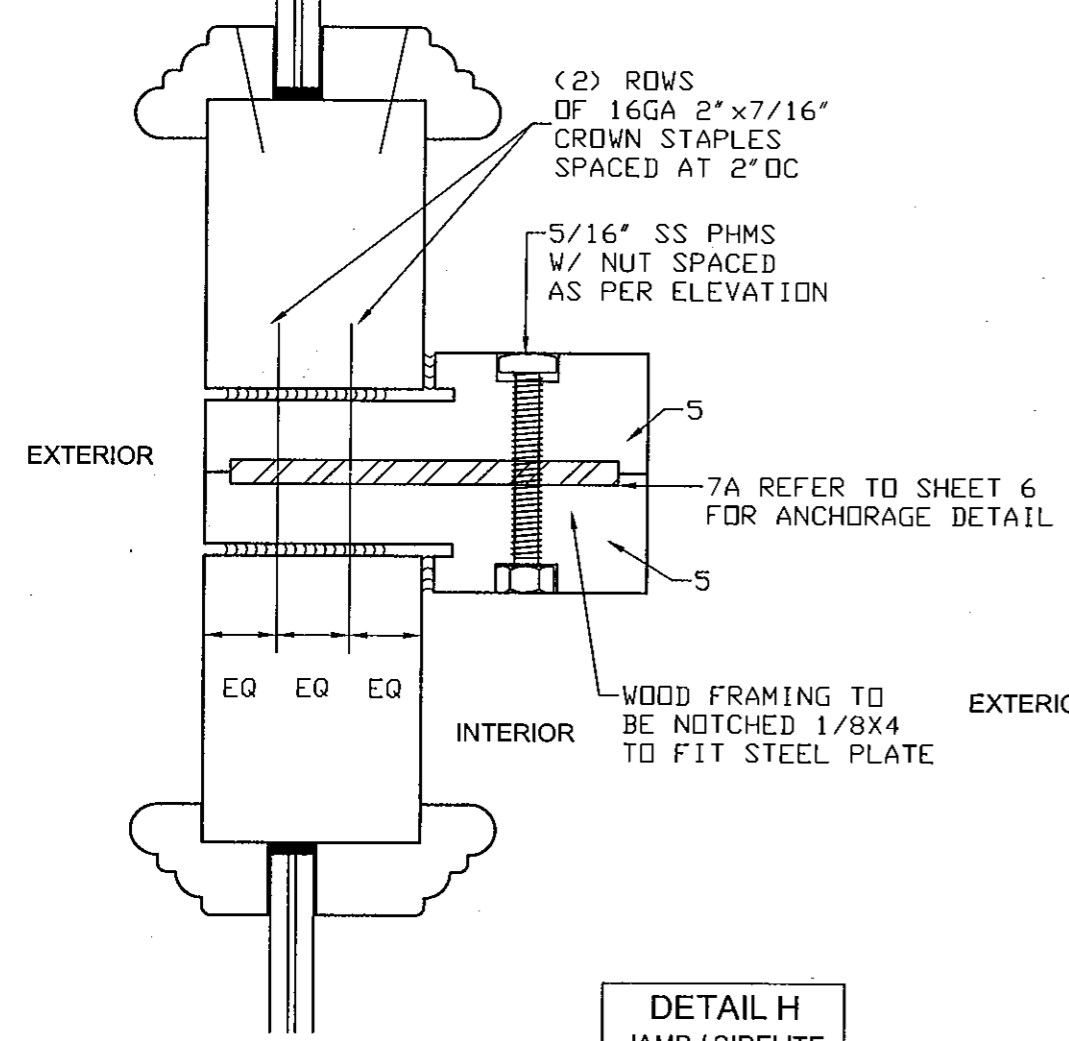
SHEET
7 OF 12

DETAIL I1
SIDELITE TRANSOM

DETAIL I
SIDELITE TRANSOM

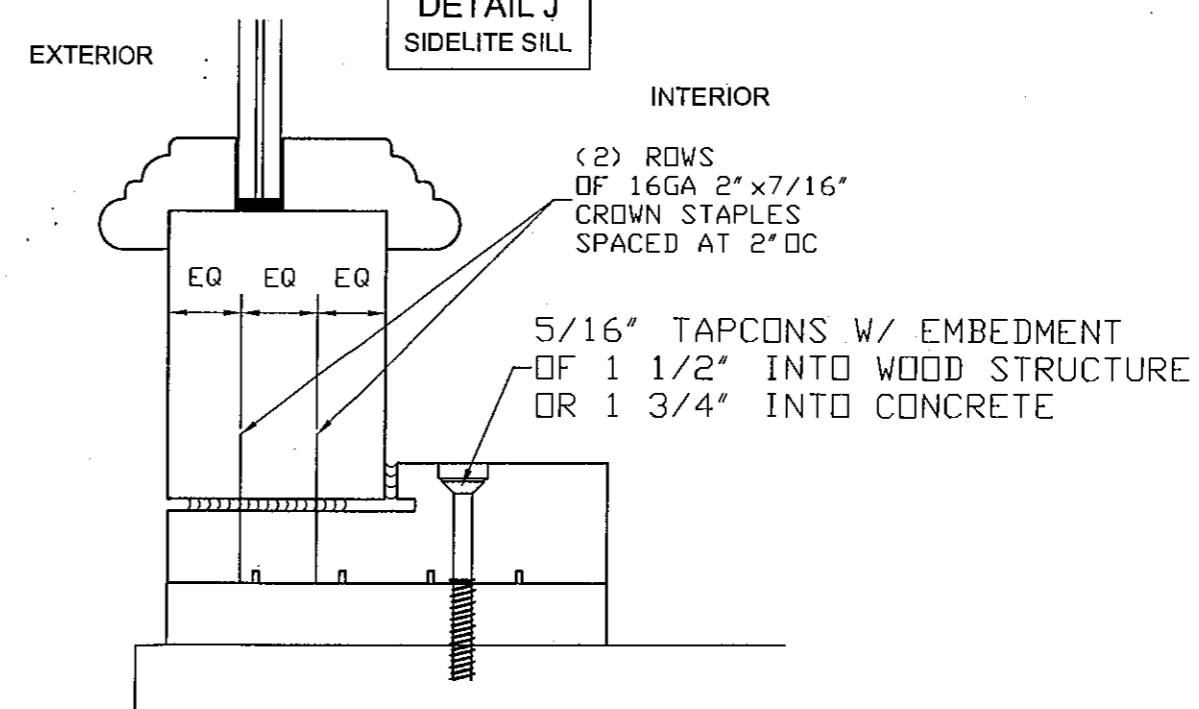
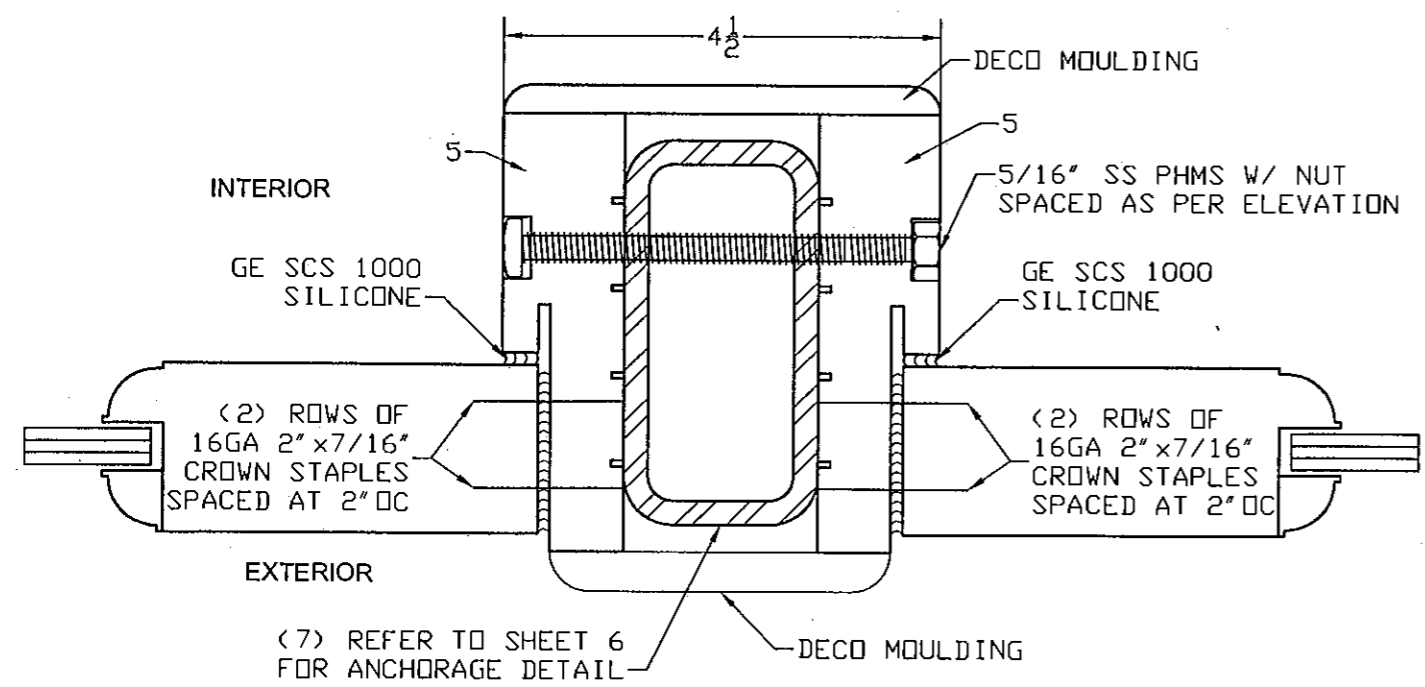
5/16" ITW TAPCONS
2 1/4" INTO 3000 PSI
CONCRETE SPACED
AS PER ELEVATION

DETAIL E1
PERIMETER FIXED



DETAIL H
JAMB / SIDELITE

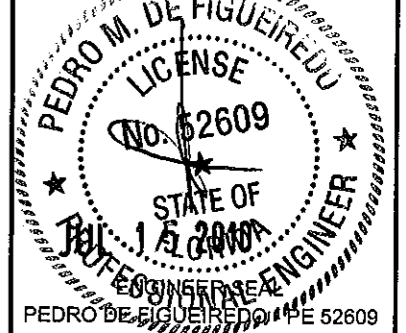
DETAIL J
SIDELITE SILL



MANUFACTURER:
**ALL AMERICAN
MILLWORK LLC**
12920 SW 120 STREET
MIAMI- FLORIDA- 33186
TEL : (305) 255-7783
FAX : (305) 255-6613
WWW.DISTINCTIVEDOORS.COM

PRODUCT:
**FIXED
WINDOW**
COMBO OF GLASS / WOOD PANEL
OR GLASS ONLY

Engineering:
EngCo Inc.
CA 8116
6971 W. SUNRISE BLVD. 104
PLANTATION, FLORIDA 33313
http://engcoinc.biz



DRAFTING:
PK DRAFTING & MORE

MIAMI-DADE BCCO:

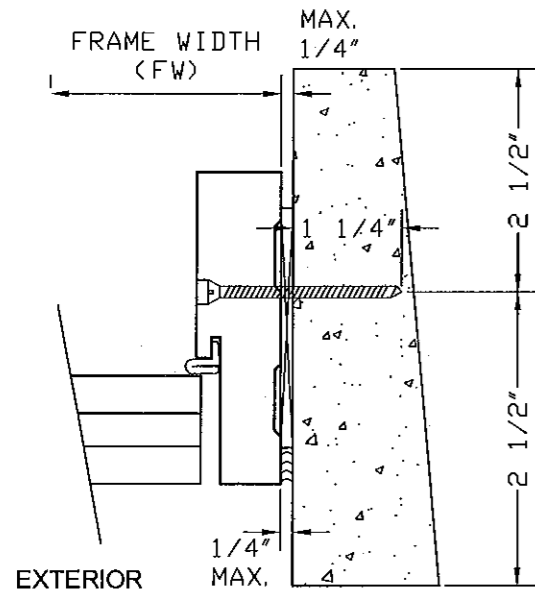
PRODUCT REVISED
as complying with the Florida
Building Code
Acceptance No. 10-110-04
Expiration Date 11/29/12
By [Signature]
Miami Trade Product Control
Division

DATE: 06/30/2010
SCALE: NA
DESIGN BY: PPMF

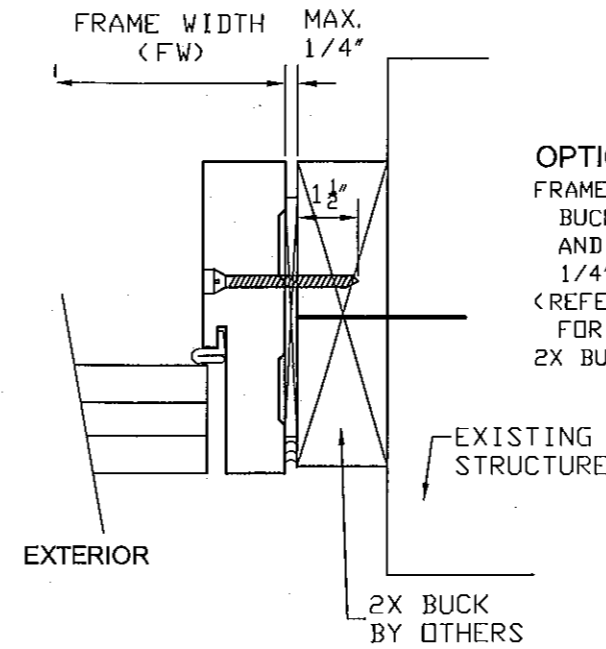
Drawing Number
10-145

SHEET
8 OF 12

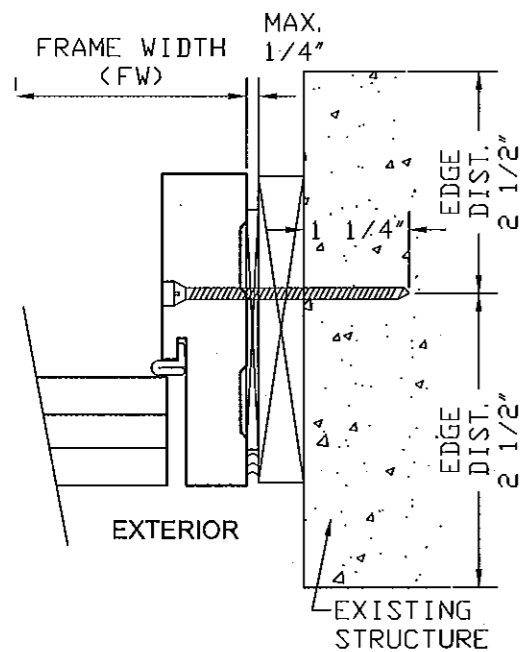
FRAMING ANCHORAGE DETAILS



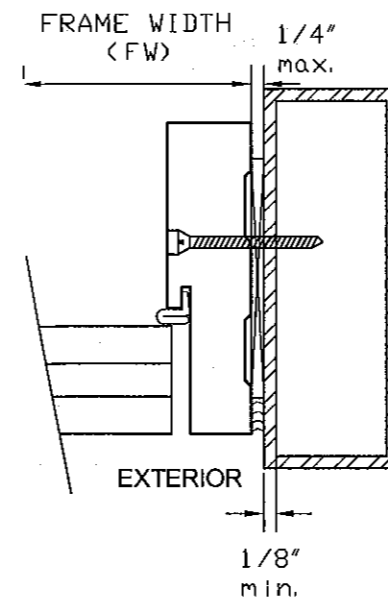
OPTION 1
 FRAME MOUNTED DIRECTLY INTO SUBSTRATE WITH MAXIMUM 1/4" SHIM AND 1/4" TAPCONS BY ITW BUILDDEX WITH 1 1/4" MIN. EMBEDMENT INTO MASONRY (JAMBS) OR INTO 3000 PSI CONCRETE (REFER TO ELEVATIONS ON SHEETS 2 THROUGH 6 FOR ANCHORS QTY. AND LAY-OUT)



OPTION 3
 FRAME MOUNTED DIRECTLY INTO 2X PT WOOD BUCK (SG)=0.55) WITH MAXIMUM 1/4" SHIM AND SECURED BY #14 SS WOOD SCREWS OR 1/4" TAPCONS WITH 1 1/2" MIN. EMBEDMENT. (REFER TO ELEVATIONS ON SHEETS 2 THROUGH 6 FOR ANCHORS QTY. AND LAY-OUT) 2X BUCK TO BE PROPERLY DESIGNED BY OTHERS.



OPTION 2
 FRAME MOUNTED WITH MAXIMUM 1/4" SHIM AND MAXIMUM 1X PT CONTINUOUS WOOD SPACER SECURED BY 1/4" TAPCONS BY ITW BUILDDEX WITH 1 1/4" MIN. EMBEDMENT INTO MASONRY (JAMBS) OR INTO 3000 PSI CONCRETE. FOR INSTALLATION INTO METAL STRUCTURES USE 1/4"-20 HWH GRADE 5 SDS (REFER TO ELEVATIONS ON SHEETS 2 THROUGH 6 FOR ANCHORS QTY. AND LAY-OUT) 1X BUCK TO BE PROPERLY DESIGNED BY OTHERS.

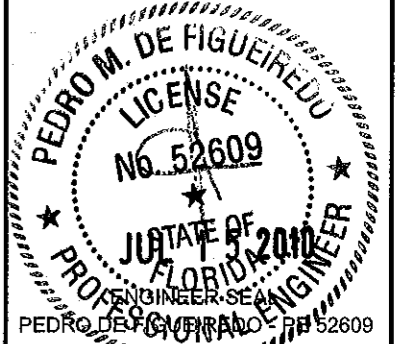


OPTION 4
 FRAME MOUNTED DIRECTLY INTO METAL STRUCTURES WITH MAXIMUM 1/4" SHIM 1/4"-20 HWH GRADE 5 SDS INTO MIN. 1/8" A36 STEEL OR 6063-T6 ALUMINUM. (REFER TO ELEVATIONS ON SHEETS 2 THROUGH 6 FOR ANCHORS QTY. AND LAY-OUT)

MANUFACTURER:
ALL AMERICAN MILLWORK LLC
 12920 SW 120 STREET
 MIAMI- FLORIDA- 33186
 TEL : (305) 255-7783
 FAX : (305) 255-6613
 WWW.DISTINCTIVEDOORS.COM

PRODUCT:
FIXED WINDOW
 COMBO OF GLASS / WOOD PANEL OR GLASS ONLY

Engineering:
EngCo Inc.
 CA 8116
 6971 W. SUNRISE BLVD. 104
 PLANTATION, FLORIDA 33313
 http://engcoinc.biz



DRAFTING:
PK DRAFTING & MORE

MIAMI-DADE BCCO:

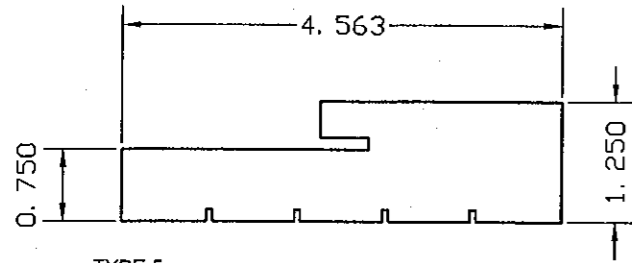
PRODUCT REVISED
 as complying with the Florida Building Code
 Acceptance No 10-1110.04
 Expiration Date 11/29/12
 By *[Signature]*
 Miami Made Product Control Division

DATE: 06/30/2010
 SCALE: NA
 DESIGN BY: PPMF

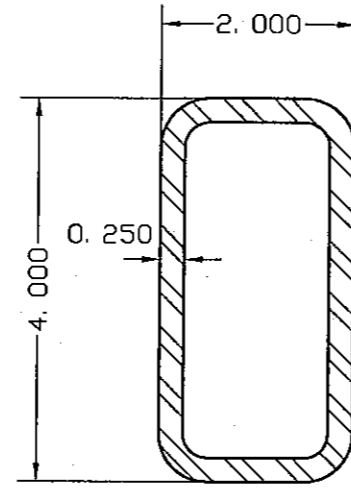
Drawing Number
10-145

SHEET
9 OF 12

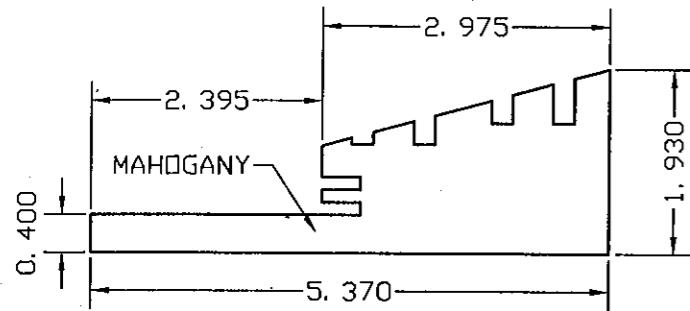
FRAMING COMPONENTS



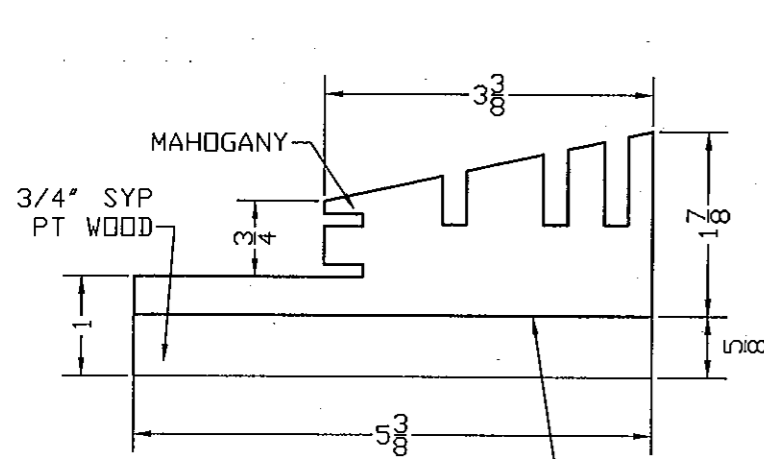
TYPE 5
WINDOW HEADER AND JAMBS
WINDOW HEADER, JAMBS AND SILL
LAMINATED OR SOLID WOOD



TYPE 7
STEEL MULLION
ASTM A500-B

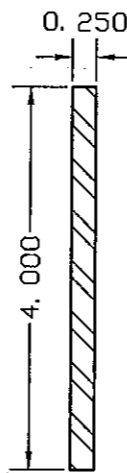


TYPE 6 - WINDOW THRESHOLD
LAMINATED OR SOLID WOOD



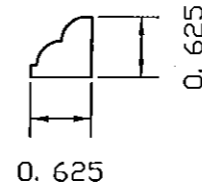
TYPE 6A - WINDOW THRESHOLD
LAMINATED OR SOLID WOOD

TWO PIECE GLUED
USING TITEBOND II
PREMIUM WOOD GLUE

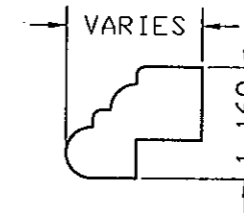


TYPE 7A
STEEL REINFORCEMENT
ASTM A36

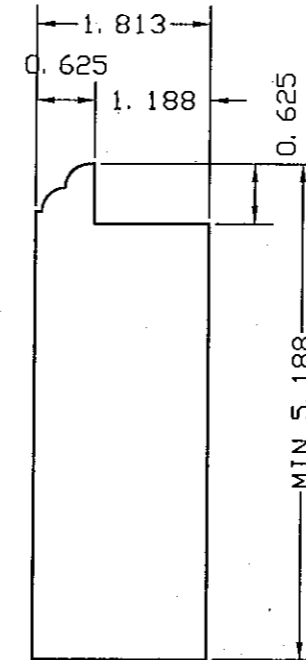
SASH COMPONENTS



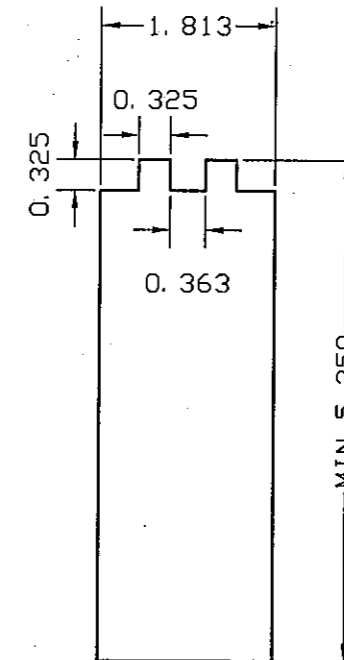
TYPE 1 - GLAZING STOP
LAMINATED OR SOLID WOOD



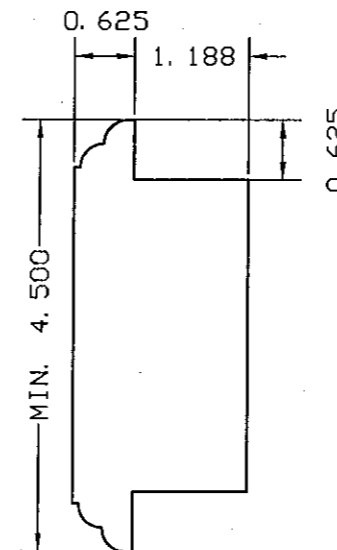
TYPE 1A - GLAZING STOP
LAMINATED OR SOLID WOOD



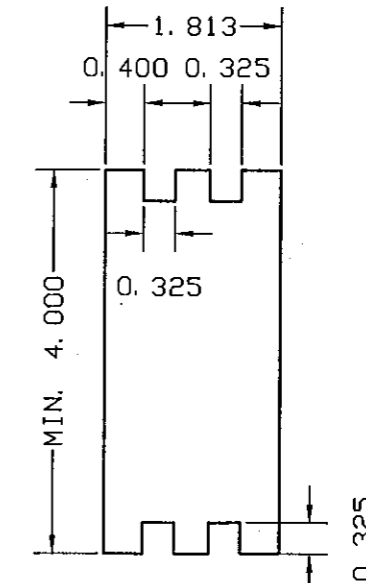
TYPE 2 - RAIL/STILE
LAMINATED OR SOLID WOOD



TYPE 2A - RAIL/STILE
LAMINATED OR SOLID WOOD



TYPE 3 - INTERMEDIATE RAIL
HORIZONTAL / VERTICAL
LAMINATED OR SOLID WOOD



TYPE 3A - INTERMEDIATE RAIL
HORIZONTAL / VERTICAL
LAMINATED OR SOLID WOOD

MANUFACTURER:
**ALL AMERICAN
MILLWORK LLC**
12920 SW 120 STREET
MIAMI- FLORIDA- 33186
TEL : (305) 255-7783
FAX : (305) 255-6613
WWW.DISTINCTIVEDOORS.COM

PRODUCT:
**FIXED
WINDOW**
COMBO OF GLASS / WOOD PANEL
OR GLASS ONLY

Engineering:
EngCo Inc.
CA 8116
6971 W. SUNRISE BLVD. 104
PLANTATION, FLORIDA 33313
http://engcoinc.com



DRAFTING:
PK DRAFTING & MORE

MIAMI-DADE BCCO:

PRODUCT REVISED
as complying with the Florida
Building Code
Acceptance No 10-1110-04
Expiration Date 11/29/12
By: *[Signature]*
Miami Dade Product Control
Division

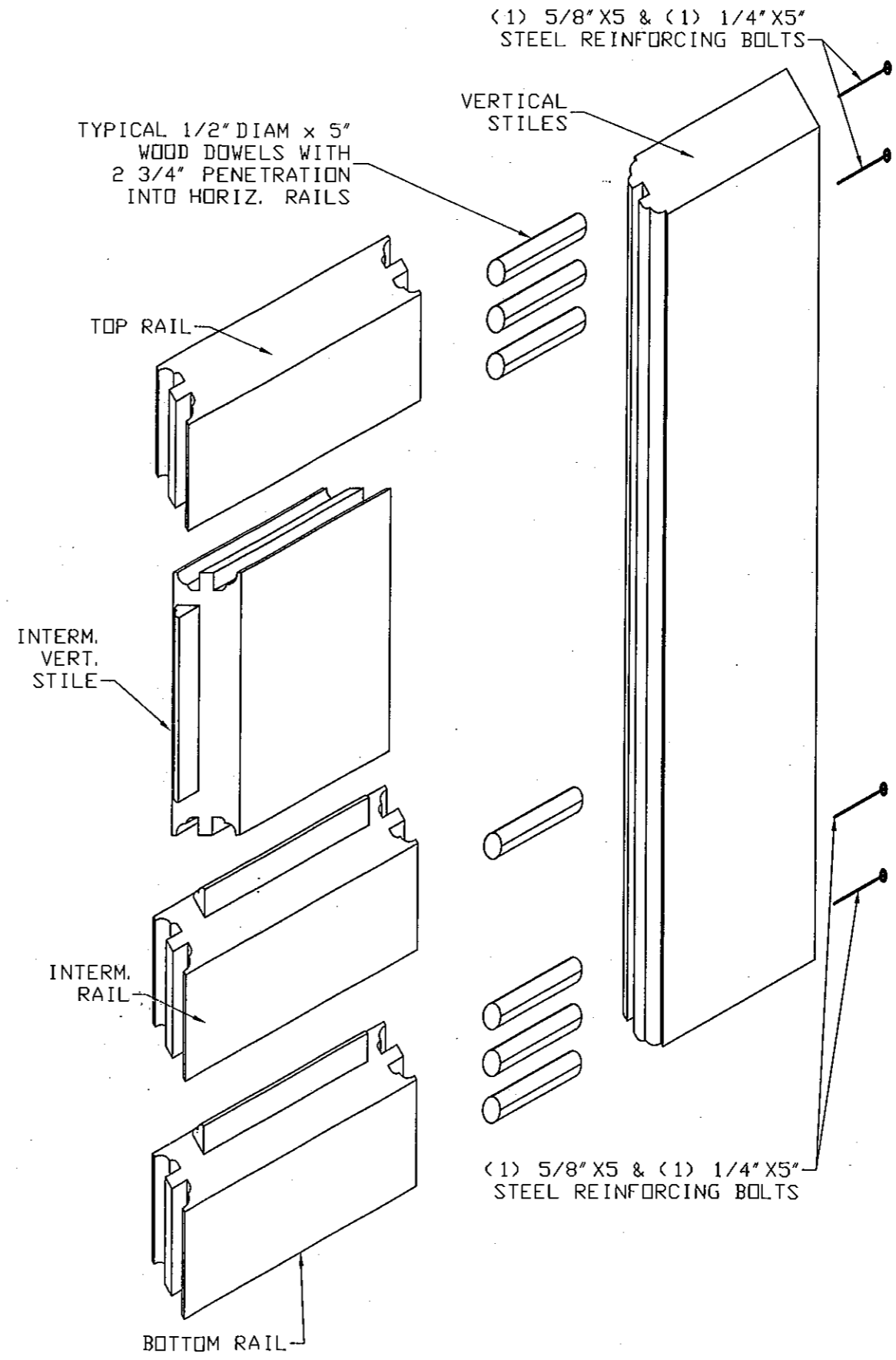
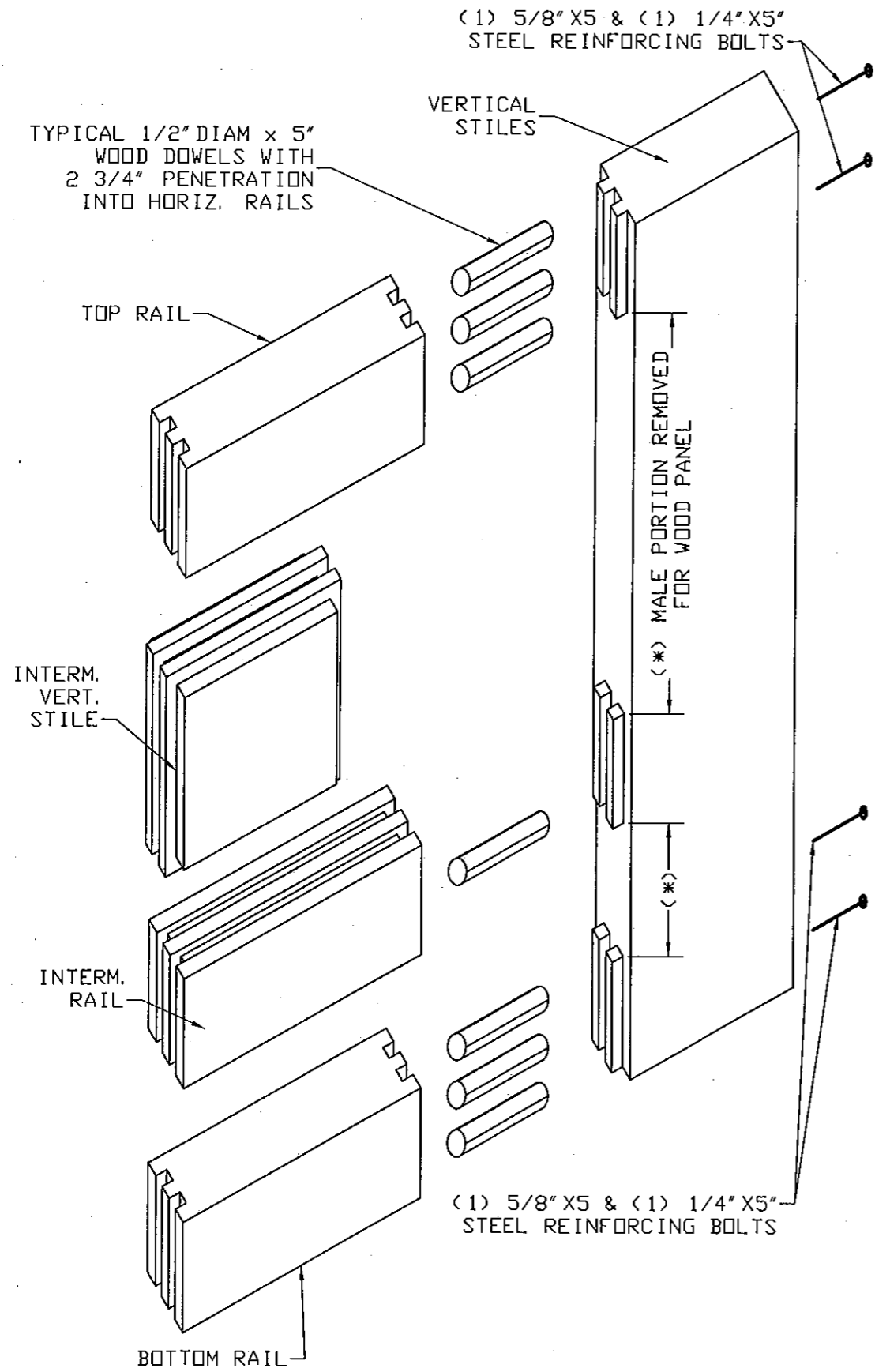
DATE: 06/30/2010
SCALE: NA
DESIGN BY: PPMF

Drawing Number
10-145

SHEET
10 OF 12

SASH 2A/3A ASSEMBLY

SASH 2/3 ASSEMBLY



MANUFACTURER:
ALL AMERICAN MILLWORK LLC
 12920 SW 120 STREET
 MIAMI- FLORIDA- 33186
 TEL : (305) 255-7783
 FAX : (305) 255-6613
 WWW.DISTINCTIVEDOORS.COM

PRODUCT:
FIXED WINDOW
 COMBO OF GLASS / WOOD PANEL OR GLASS ONLY

Engineering:
EngCo Inc.
 CA 8116
 6971 W. SUNRISE BLVD. 104
 PLANTATION, FLORIDA 33313
 http://engcoinc.biz



DRAFTING:
PK DRAFTING & MORE

MIAMI-DADE BCCO:

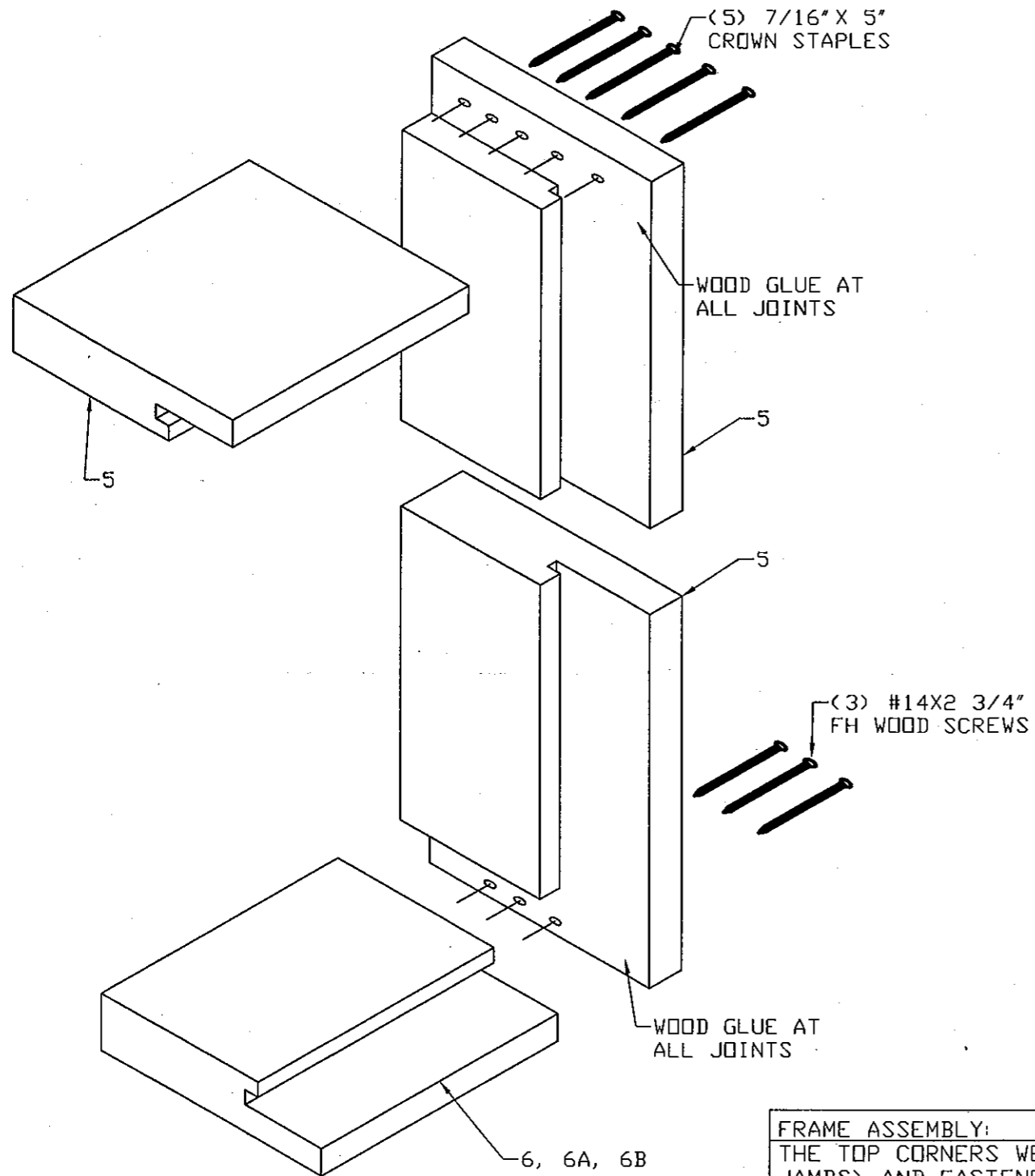
PRODUCT REVISED
 as complying with the Florida Building Code
 Acceptance No. 09-1112-04
 Expiration Date 11/29/12
 By *[Signature]*
 Miami Dade Product Control Division

DATE: 06/30/2010
 SCALE: NA
 DESIGN BY: PPMF

Drawing Number
10-145

SHEET
11 OF 12

TYPICAL CORNER FRAMING
CONSTRUCTION



BILL OF MATERIALS

ITEM	DESCRIPTION
1	LAMINATED OR SOLID WOOD GLAZING STOP
1A	LAMINATED OR SOLID WOOD GLAZING STOP
2	LAMINATED OR WOOD WINDOW RAIL/STILE
2A	LAMINATED OR WOOD WINDOW RAIL/STILE
3	LAMINATED OR WOOD WINDOW INTERMEDIATE RAIL
3A	LAMINATED OR WOOD WINDOW INTERMEDIATE RAIL
5	LAMINATED OR WOOD WINDOW FRAMING
6	LAMINATED OR WOOD WINDOW THRESHOLD
6A	LAMINATED OR WOOD WINDOW THRESHOLD
7	TS 4X2 - 1/4" ASTM A500-B STEEL MULLION
7A	1/4X4 ASTM A36 STEEL REINFORCEMENT
8	SCHLEGAL Q-LON QED-650 WEATHER STRIPPING
8A	THERMATRU WTFB68/80 WEATHER STRIPPING
9	GE SCS 1000 SILICONE SEALANT
10	POLYSEAM SEAL ADHESIVE SEALANT
11	DOW 995 SILICONE
12	5/16" SS PHMS W/ NUT
13	16GA 2"X7/16" GALVANIZED CROWN STAPLES
14	#7X2 1/4" GRABBER STREAKER FINE THREAD TRIM HEAD SCREWS
15	5/16" ITW TAPCONS ANCHORS
16	1/4" TAPCONS BY ITW
17	#14 SS WOOD SCREWS
18	1/4-20 HWH GRADE 5 SELF DRILLING SCREWS
19	1/2" WEDGE BOLTS ANCHORS BY POWERS
20	1/2"X5" WOOD DOWELS
21	5/8"X5" STEEL BOLTS
22	1/4"X5" STEEL BOLTS
23	TITEBOND II PREMIUM WOOD GLUE BY FRANKLIN MANUFACTURING

FRAME ASSEMBLY:
THE TOP CORNERS WERE RABBETED (1/2" NOTCH ON THE JAMBS) AND FASTENED TOGETHER WITH (5) 7/16"X2" CROWN STAPLES. THE BOTTOM CORNERS WERE BUTT JOINED AND FASTENED WITH (3) #14X2 3/4" FH WOOD SCREWS. WOOD GLUE WAS APPLIED AT ALL JOINTS

MANUFACTURER:
**ALL AMERICAN
MILLWORK LLC**
12920 SW 120 STREET
MIAMI- FLORIDA- 33186
TEL : (305) 255-7783
FAX : (305) 255-6613
WWW.DISTINCTIVEDOORS.COM

PRODUCT:
**FIXED
WINDOW**
COMBO OF GLASS / WOOD PANEL
OR GLASS ONLY

Engineering:
EngCo Inc.
CA 8116
6971 W. SUNRISE BLVD. 104
PLANTATION, FLORIDA 33313
<http://engcoinc.biz>



DRAFTING:
PK DRAFTING & MORE

MIAMI-DADE BCCO:

PRODUCT REVISED
as complying with the Florida
Building Code
Acceptance No. 10-1110-04
Expiration Date 11/29/12
By: *[Signature]*
Miami Dade Product Control
Division

DATE: 06/30/2010
SCALE: NA
DESIGN BY: PPMF

Drawing Number
10-145

SHEET
12 OF 12