



MIAMI-DADE COUNTY
BUILDING AND NEIGHBORHOOD COMPLIANCE DEPARTMENT (BNC)
BOARD AND CODE ADMINISTRATION DIVISION

MIAMI-DADE COUNTY, FLORIDA
PRODUCT CONTROL SECTION
 11805 SW 26th Street, Room 208
 Miami, Florida 33175-2474
 T (786) 315-2590 F (786) 315-2599

www.miamidade.gov/building

NOTICE OF ACCEPTANCE (NOA)

Lawson Industries, Inc.
8501 N. W. 90th Street
Medley, FL 33166

SCOPE:

This NOA is being issued under the applicable rules and regulations governing the use of construction materials. The documentation submitted has been reviewed by Miami-Dade County Product Control Section and accepted by the Board of Rules and Appeals (BORA) to be used in Miami-Dade County and other areas where allowed by the Authority Having Jurisdiction (AHJ).

This NOA shall not be valid after the expiration date stated below. The Miami-Dade County Product Control Section (In Miami-Dade County) and/or the AHJ (in areas other than Miami-Dade County) reserve the right to have this product or material tested for quality assurance purposes. If this product or material fails to perform in the accepted manner, the manufacturer will incur the expense of such testing and the AHJ may immediately revoke, modify, or suspend the use of such product or material within their jurisdiction. BORA reserves the right to revoke this acceptance, if it is determined by Miami-Dade County Product Control Section that this product or material fails to meet the requirements of the applicable building code. This product is approved as described herein, and has been designed to comply with the Florida Building Code, including the High Velocity Hurricane Zone.

DESCRIPTION: Series "La Porte" 8'0" Outswing Glazed Aluminum French Doors – L.M.I.

APPROVAL DOCUMENT: Drawing No. **FD-2003**, titled "La Porte-Impact French Outswing Door", sheets 1 through 6 of 6, prepared by the manufacturer, dated 12/12/2002 with the latest revision "E", dated 01/27/2011, signed and sealed by Thomas J. Sotos, P. E., bearing the Miami-Dade County Product Control Revision stamp with the Notice of Acceptance number and Expiration date by the Miami-Dade County Product Control Section.

MISSILE IMPACT RATING: Large and Small Missile Impact Resistant.

LABELING: Each unit shall bear a permanent label with the manufacturer's name or logo, city, state and following statement: "Miami-Dade County Product Control Approved", unless otherwise noted herein.

RENEWAL of this NOA shall be considered after a renewal application has been filed and there has been no change in the applicable building code negatively affecting the performance of this product.

TERMINATION of this NOA will occur after the expiration date or if there has been a revision or change in the materials, use, and/or manufacture of the product or process. Misuse of this NOA as an endorsement of any product, for sales, advertising or any other purposes shall automatically terminate this NOA. Failure to comply with any section of this NOA shall be cause for termination and removal of NOA.

ADVERTISEMENT: The NOA number preceded by the words Miami-Dade County, Florida, and followed by the expiration date may be displayed in advertising literature. If any portion of the NOA is displayed, then it shall be done in its entirety.

INSPECTION: A copy of this entire NOA shall be provided to the user by the manufacturer or its distributors and shall be available for inspection at the job site at the request of the Building Official. This NOA **revises and supersedes** NOA No. **10-0128.04** and of this page 1, evidence pages E-1, E-2 and E-3, as well as approval document mentioned above.

The submitted documentation was reviewed by **Jaime D. Gascon, P. E.**



J. Gascon
 2/24/11

NOA No. 11-0202.03
Expiration Date: June 05, 2013
Approval Date: March 17, 2011
 Page 1

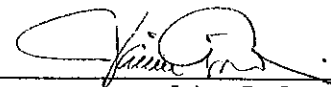
NOTICE OF ACCEPTANCE: EVIDENCE SUBMITTED

A. DRAWINGS

1. Manufacturer's die drawings and sections.
2. Drawing No. **FD-2003**, titled "La Porte-Impact French Outswing Door", sheets 1 through 6 of 6, prepared by the manufacturer, dated 12/12/2002 with the latest revision "E", dated 01/27/2011, signed and sealed by Thomas J. Sotos, P. E.

B. TESTS

1. Test reports on: 1) Large Missile Impact Test per FBC, TAS 201-94
2) Cyclic Wind Pressure Loading per FBC, TAS 203-94
along with marked-up drawings and installation diagram of aluminum Outswing French door, prepared by Hurricane Engineering & Testing, Inc., Test Report No. **HETI-11-3201**, issued on 01/06/2011, signed and sealed by Candido F. Font, P. E.
2. Test reports on: 1) Uniform Static Air Pressure Test, per FBC, TAS 202-94
along with marked-up drawings and installation diagram of aluminum Outswing French door, prepared by Hurricane Engineering & Testing, Inc., Test Reports No. **HETI-09-2623** and **HETI-09-2645**, issued on 10/22/2009, both signed and sealed by Candido F. Font, P. E.
(Submitted under NOA No.10-0128.04)
3. Test reports on: 1) Large Missile Impact Test per FBC, TAS 201-94
2) Cyclic Wind Pressure Loading per FBC, TAS 203-94
along with marked-up drawings and installation diagram of aluminum Outswing French door, prepared by Hurricane Engineering & Testing, Inc., Test Reports No. **HETI-09-2624** and **HETI-09-2646**, issued on 10/22/2009, signed and sealed by Candido F. Font, P. E.
(Submitted under NOA No.10-0128.04)
4. Test reports on 1) Air Infiltration Test, per FBC, TAS 202-94
2) Uniform Static Air Pressure Test, per FBC, TAS 202-94
3) Water Resistance Test, per FBC, TAS 202-94
4) Forced Entry Test, per FBC 2411 3.2.1 and TAS 202-94
along with marked-up drawings and installation diagram of aluminum Outswing French door, prepared by Hurricane Engineering & Testing, Inc., Test Reports No. **HETI-04-1377**, issued on 03/08/04, signed and sealed by Rafael E. Droz-Seda, P. E.
(Submitted under NOA No.05-1116.06)
5. Test reports on: 1) Tensile Test, per FBC, ASTM E-8
along with marked-up drawings and installation diagram of aluminum Outswing French door, prepared by Hurricane Engineering & Testing, Inc., Test Reports No. **HETI-02-T095** and **HETI-02-T090**, issued on 01/13/03, both signed and sealed by Rafael E. Droz-Seda, P. E.
(Submitted under NOA No. 05-1116.06)



Jaime D. Gascon, P. E.
Product Control Section Supervisor
NOA No. 11-0202.03
Expiration Date: June 05, 2013
Approval Date: March 17, 2011

NOTICE OF ACCEPTANCE: EVIDENCE SUBMITTED

B. TESTS (CONTINUED)

6. Test reports on: 1) Uniform Static Air Pressure Test, per FBC, TAS 202-94
2) Forced Entry Test, per FBC 2411 3.2.1 and TAS 202-94
along with marked-up drawings and installation diagram of aluminum Outswing French door, prepared by Hurricane Engineering & Testing, Inc., Test Reports No. **HETI-04-1897, HETI-04-1896 A and HETI-04-1896 B**, issued on 03/12/2004, all signed and sealed by Rafael E. Droz-Seda, P. E.
(Submitted under NOA No.05-1116.06)
7. Test reports on: 1) Air Infiltration Test, per FBC, TAS 202-94
2) Uniform Static Air Pressure Test, Loading per FBC TAS 202-94
3) Water Resistance Test, per FBC, TAS 202-94
4) Large Missile Impact Test per FBC, TAS 201-94
5) Cyclic Wind Pressure Loading per FBC, TAS 203-94
6) Forced Entry Test, per FBC 2411 3.2.1, TAS 202-94
along with marked-up drawings and installation diagram of aluminum Outswing French door, prepared by Hurricane Engineering & Testing, Inc., Test Reports No.'s **HETI-02-1253, HETI-02-1726, HETI-02-1728, HETI-02-1736, HETI-02-1742, HETI-02-1763 and HETI-02-1765**, issued on 01/14/2003, all signed and sealed by Rafael E. Droz-Seda, P. E.
(Submitted under NOA No. 05-1116.06)

C. CALCULATIONS

1. Anchor verification calculations and structural analysis, complying with FBC-2007, prepared by the manufacturer, dated 12/12/2002 with the latest revised dated 07/02/2010, signed and sealed by Thomas J. Sotos, P. E.
Complies with ASTM E1300-98/ 04
(Submitted under NOA No.10-0128.04)

D. QUALITY ASSURANCE

1. Miami-Dade Building Code Compliance Office (BCCO).

E. MATERIAL CERTIFICATIONS

1. Notice of Acceptance No. **10-0413.04** issued to E.I. DuPont DeNemours & Co., Inc. for their "**DuPont Sentry Glass® Interlayer**" dated 05/26/2010, expiring on 01/14/12.
2. Notice of Acceptance No. **10-0922.09** issued to E.I. DuPont DeNemours & Co., Inc. for their "**DuPont Butacite® PVB, Interlayer**" dated 12/24/10, expiring on 12/11/11.



Jaime D. Gascon, P. E.
Product Control Section Supervisor
NOA No. 11-0202.03
Expiration Date: June 05, 2013
Approval Date: March 17, 2011

NOTICE OF ACCEPTANCE: EVIDENCE SUBMITTED

E. MATERIAL CERTIFICATIONS (CONTINUED)

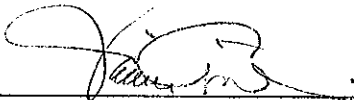
3. Notice of Acceptance No. **06-0216.06** issued to Solutia Inc. for their "Saflex III G Clear or colored interlayer" dated 05/04/06, expiring on 05/21/11.

F. STATEMENTS

1. Statement letter of compliance with the FBC-2007, dated February 02, 2011, signed and sealed by Thomas J. Sotos, P. E.
2. Statement letter of conformance and no financial interest, dated February 02, 2011, signed and sealed by Thomas J. Sotos, P. E.
3. Proposal issued by BCCO, dated July 27, 2010, signed by Ishaq Chanda, P. E.
4. Laboratory compliance letter for Test Report No. **HETI-11-3201**, issued by Hurricane Engineering & Testing, Inc., dated January 06, 2011, signed and sealed by Candido F. Font, P. E.
5. Proposal issued by BCCO, dated March 26, 2009, signed by Renzo Narciso.
(Submitted under NOA No.10-0128.04)
6. Laboratory compliance letter for Test Reports No.'s **HETI-09-2623, HETI-09-2645, HETI-09-2624** and **HETI-09-2646**, issued by Hurricane Engineering & Testing, Inc., dated October 22, 2009, signed and sealed by Candido F. Font, P. E.
(Submitted under NOA No.10-0128.04)
7. Laboratory compliance letter for Test Reports No.'s **HETI-04-1897, HETI-04-1896 A, HETI-04-1896 B, HETI-04-1377, HETI-02-T095, HETI-02-T090, HETI-02-1253, HETI-02-1726, HETI-02-1728, HETI-02-1736, HETI-02-1742, HETI-02-1763** and **HETI-02-1765**, issued by Hurricane Engineering & Testing, Inc., dated 01/14/2003, 03/08/04, signed and sealed by Rafael E. Droz-Seda, P. E.
(Submitted under previous NOA No. 05-1116.06)

G. OTHERS

1. Notice of Acceptance No. **10-0128.04**, issued to Lawson Industries, Inc. for their Series "La Porte" 8'0" Outswing Aluminum French Doors - L.M.I.", approved on 04/04/10 and expiring on 06/05/13.

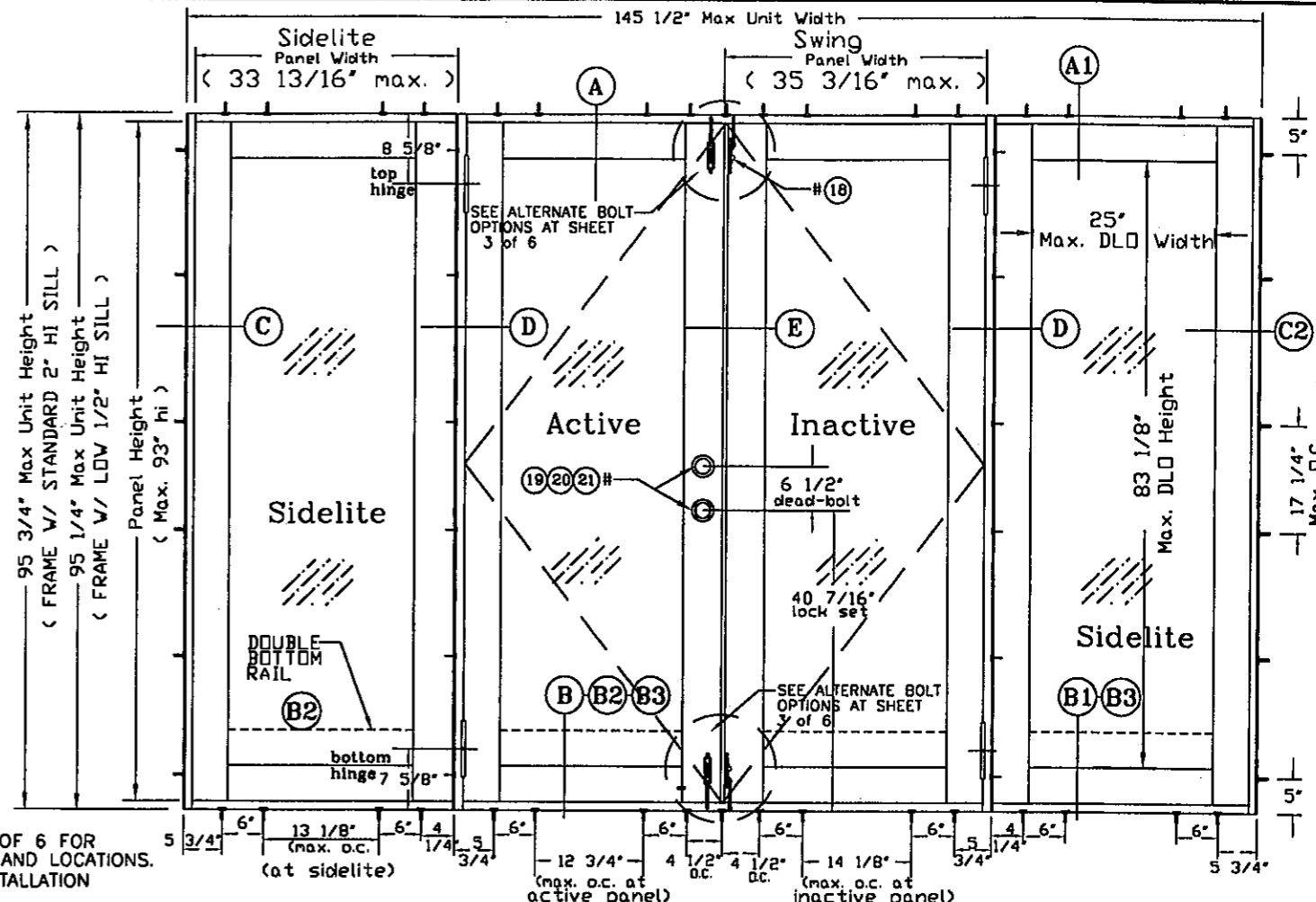


Jaime D. Gascon, P. E.
Product Control Section Supervisor
NOA No. 11-0202.03
Expiration Date: June 05, 2013
Approval Date: March 17, 2011

BILL OF MATERIALS					
ITEM #	DRW'G #	PART #	REQD.	DESCRIPTION	REMARKS
1	L-901	LII-098	1	FRAME HEAD	6063-T6 ALUMINUM
2	L-902	LII-097	1	FRAME SILL	6063-T6 ALUMINUM
3	L-903	LII-090	2	FRAME JAMB	6063-T6 ALUMINUM
4	L-904	LII-096	2	SIDELITE JAMB ADAPTER	6063-T5 ALUMINUM
5	L-906	LII-092	2 x panel	PANEL TOP & BOTTOM RAIL	6063-T6 ALUMINUM
6	L-907	LII-091	1 x panel	HINGE STILE	6063-T6 ALUMINUM
7	L-905	LII-094	1 x panel	LOCK STILE	6063-T6 ALUMINUM
8	L-909	LII-095	2 x panel	TOP & BOTTOM RAIL ADAPTER	6063-T5 ALUMINUM
9	L-911	LII-085	AS REQ'D.	1/4 ROUND ALUM. BEAD - 7/16"	6063-T5 ALUMINUM
10	L-912	LII-087	AS REQ'D.	1/4 ROUND ALUM. BEAD - 3/8"	6063-T5 ALUMINUM
11	FD-624-2	L-908	2 x panel	HINGE LEAF ASSEMBLY	6063-T5 ALUMINUM
12	VWS-001	*	AS REQ'D.	BULB VINYL WTS'P.	Team Plastics Co. #3286
13	PWS-001	*	AS REQ'D.	WTS'P. @ TOP/BOTT. RAILS	Schlegel FS - .187" w. X .210" h.
14	PWS-002	*	AS REQ'D.	WTS'P. @ FRAME HEAD & JAMB	Schlegel PB - .187" w. X .330" h.
15	L-910	LII-089	2 x panel	STRIKER MOUNTING PLATE	6063-T5 ALUMINUM
16	FD-619	FD-619-1	2 x panel	STRIKER PLATE	6063-T5 ALUMINUM
17	FD-631	LII-086	AS REQ'D.	GLAZING ADAPTER	6063-T6 ALUMINUM
18	HC-001	SF-5502	2 x Panel	DELTA FLUSH BOLT	(@ TOP & BOTTOM OF LOCK STILE)
19	FD-621-2	HC-024/025	1 SET	DOOR LOCK / DEAD BOLT SET	KWIKSET - Series 690T COMBO
20	FD-621-2	HC-024/025	1 SET	DOOR LOCK / DEAD BOLT SET	SCHLAGE - Series FB350 COMBO
21	FD-621-2	HC-024/025	1 SET	DOOR LOCK / DEAD BOLT SET	DEFIANT - Series 831 COMBO
22	*	FS-035	AS REQ'D.	Frame Install. Screw - Head	5/16" - TAPCON (See Notes)
23	*	FS-035	AS REQ'D.	Frame Install. Screw - Jamb/Sill	5/16" - TAPCON (See Notes)
24	*	FS-026	8	FRAME ASSEMBLY SCREW	#12 X 3/4" PH.-PHI.
25	*	FS-012	AS REQ'D.	JAMB ADAPTER SCREW	#10 X 3/4" P.H.-PHI.
26	FD-634	LII-171	AS REQ'D.	1/4 ROUND ALUM. BEAD - 11/16"	6063-T5 ALUMINUM
27	*	FS-043	8	GLAZING ADAPT. ATTACH. SCREW	#8 X 1 1/4" FH.-PHI.
28	*	FS-049	2/Panel	Double Rail Assembly Screw	3/8"x2 1/4" Hex Screw & Nut
29	*	*	AS REQ'D.	NEUTRAL CURE SILICONE	Schnee-Morehead SM-5731
30	*	*	AS REQ'D.	NEUTRAL CURE SILICONE	Dow Corning 899
31	*	*	AS REQ'D.	NEUTRAL CURE SILICONE	Trenco S-500
32	*	*	AS REQ'D.	Laminated Glass see Pg. 5	Dupont - Sentry Glass Plus
33	*	*	AS REQ'D.	Laminated Glass see Pg. 5	Dupont - PVB
34	*	*	AS REQ'D.	Laminated Glass see Pg. 5	Saflex - PVB
35	*	HC-002	2/Panel	PANEL ASS'Y ALUM. PLATE	1 1/2"x 2"x 1/8" (6063-T5 ALUM.)
36	*	HC-004	2/Panel	Panel Ass'y Full Length Rod	3/8" Dia. -20D Rod, Plate, Flange Nut
37	*	FS-011	8	HINGE ATTACHMENT SCREW	#10 X 3/4" P.H. / PHI.
38	*	FS-044	12	SIDELITE ATTACHMENT SCREW	#10 X 1" PH/PHIL. - (17" OC Max.)
39	*	HC-006	6/Jamb	1/2" DIA. HOLE - NYLON PLUG	MICROPLASTICS #62PP050BG14
40	*	HC-007	2/Panel	7/8" DIA. HOLE - NYLON PLUG	MICROPLASTICS #62PP087BG11
41	*	HC-010	1/BOLT	FLUSH BOLT 'NYLON SILL PLUG'	SUNCOPLASTICS
42	L-913	LII-086	AS REQ'D.	1/2 ROUND FALSE ALUM. MUNTIN	6063-T5 ALUMINUM
43	*	*	AS REQ'D.	INT FALSE APPLIED MUNTIN	1.25" X .022" STOCK ALUMINUM
44	L-915	FD-623	AS REQ'D.	FRAME HEAD SHEAR PLATE	6063-T5 ALUMINUM - 4" long
45	L-916	LII-117	AS REQ'D.	FRAME LOW SILL - OPTIONAL	6063-T5 ALUMINUM
46	FD-635	HC-050	1	TWO-POINT FLUSHBOLT LOCK	OPTIONAL (FOR +/- 76.0 psf DP)
47	FD-626	FD-626-1	2/Panel	FLUSH BOLT GUIDE ANGLE	1 1/2"x 1 1/2"x 1/8" ALUM. ANGLE
48	FD-627	FD-627-1	2/Panel	Two-Point Lock Bolt Guide ANGLE	3"x 3"x 1 1/2"x 1/8" ALUM. ANGLE
49	*	*	AS REQ'D.	Joint Sealant- White Colored	'Purvis Co.' Super Seal
50	FD-638	HC-	1 SET	LOCK ACTIVE HANDLE & TRIMSET	ASHLAND #W5201A-A
51	FD-637	HC-	1 SET	MULTI-POINT LOCK ACTIVE	ASHLAND #W5110-STACT5
52	FD-640	HC-	1 SET	LOCK PASSIVE HANDLE & TRIMSET	ASHLAND #W5201A-P
53	FD-639	HC-	1 SET	MULTI-POINT LOCK PASSIVE	ASHLAND #W5110-STPAS4
54	FD-641	HC-	2 x panel	Multi-Point Lock Bolt Guide	NYLON GUIDE
55	*	FS-	4/Guide	Bolt Guide Attachment Fastener	#6 x 1/2" P.H./PHIL.
56	FD-642	HC-	1 x Lock	Lock Top Mount Adapter	NYLON ADAPTER
57	FD-643	HC-	1 x Lock	Lock Bottom Mount Adapter	NYLON ADAPTER

ANCHOR NOTES:

- SEE ELEVATION AT SHEET 1 OF 6 FOR ANCHOR O.C. MAX. SPACING AND LOCATIONS.
- SEE SHEET 4 OF 6 FOR INSTALLATION FASTENERS TYPES.
- SAME ANCHOR SPACING @ FRAME HEAD & SILL.



"OXO" EXTERIOR ELEVATION

PRODUCT REVISED
as complying with the Florida
Building Code
Acceptance No. **11-0202-03**
Expiration Date **06/05/2013**
By *[Signature]*
Miami Dade Product Control

NOTES:

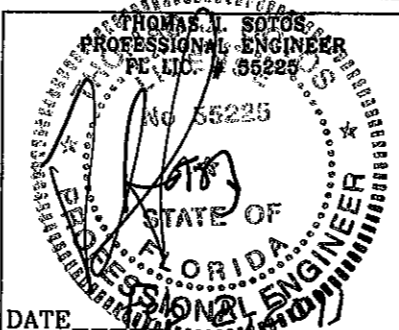
- QUALIFIES SINGLE & MULTIPLE PANELS (SEE ELEVATIONS).
- QUALIFIES UNITS WITH AND WITHOUT SIDELITES
- MAX. FRAME SIZE 145 1/2" w. X 95 3/4" h. OXO
- EXT & INT FALSE COLONIAL MUNTIN APPLIED W/SILICONE.
- QUALIFIES SINGLE OR DOUBLE BOTTOM RAILS
- MAX. DAYLITE OPENING WIDTH = 25"
- MAX. DAYLITE OPENING HEIGHT = 83 1/8"
- SEE ELEVATION AT SHEET 1 OF 6 FOR MAX. ANCHOR SPACING
- ALL DIMENSIONS SPECIFIED ARE IN INCHES
- NO HURRICANE SHUTTERS ARE REQUIRED

NOTES:

- THIS PRODUCT IS DESIGNED AS PER 2007 FLORIDA BUILDING CODE.
- GLASS MEETS REQUIREMENTS OF ASTM-E1300 AS PER CHAPTER 24 OF THE FBC 2007 CODE.
- WOOD BUCKS BY OTHERS, MUST BE ANCHORED PROPERLY TO TRANSFER LOAD TO THE STRUCTURE & TO BE REVIEWED BY BUILDING OFFICIAL.
- ANCHORS SHALL BE AS LISTED, AND SPACED AS NOTED ABOVE AND ON DRAWING DETAILS. ANCHOR EMBEDMENT TO BASE MATERIAL SHALL BE BEYOND WALL DRESSING OR STUCCO.
- SEE NOTES @ SHEET 4 OF 6 FOR INTALLATION FASTENERS TYPE.
- ANCHORING OR LOADING CONDITIONS NOT SHOWN IN THESE DETAILS ARE NOT PART OF THIS APPROVAL

LIMITATIONS:

- MAX. DP = ±86 PSF W/ (4) Surface Bolts & Glass Types A, B, C & D. (SEE LOCATION DETAILS @ SHEET 3 OF 6)
- MAX. DP = ±76 PSF W/ 2-Point Lock (active)+ (2) Surface Bolts at Inactive
- MAX. DP = ±76 PSF W/ Flat Sill & must be used where water infiltration is not required or opening is protected by overhang ratio greater than one.
- MAX. DP = ±86 PSF W/ Multi-Point Lock (1-active)+(1-passive) at Inactive

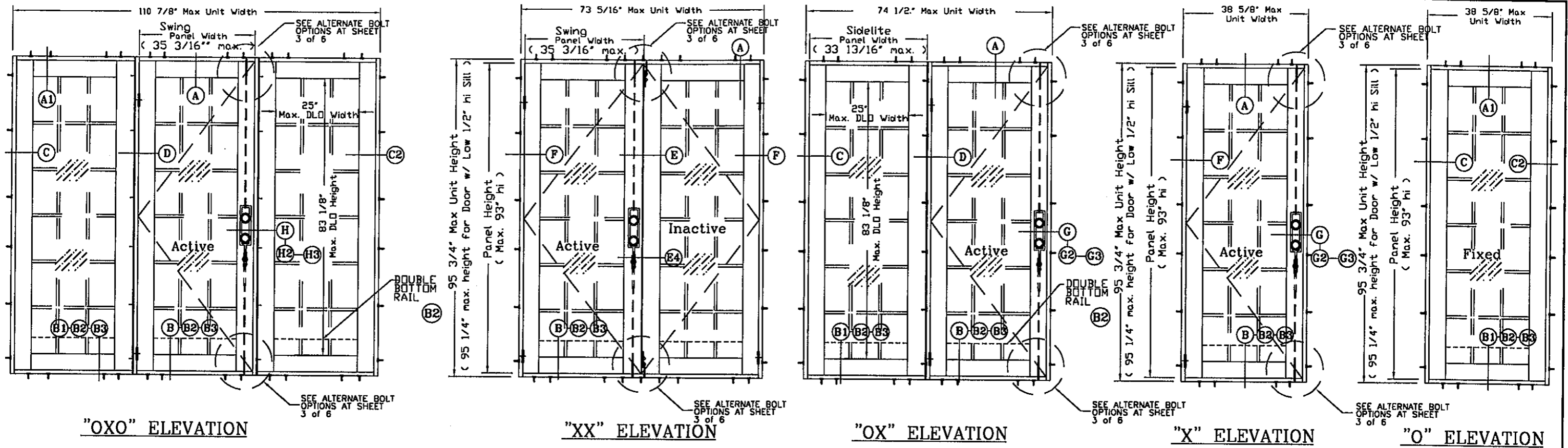


Revision Notes:	
Revised w/ optional flat sill and 2 point lock 5/03/04	
Revised to comply w/ FBC2004 -11/01/05	
Revised to comply w/ FBC2007 & added Insulated Glass 01/22/10	
Ashland Multi-Point Lock 01/27/11	
Revised By: Nelson Erazo	Date Checked: 01/27/11
Drawn By: Nelson Erazo	Date Drawn: 01/22/10
Scale:	n.t.s.

LAWSON INDUSTRIES, INC.

8501 NW 90th St.
MEDLEY, FLORIDA 33166
(305) 696-8660

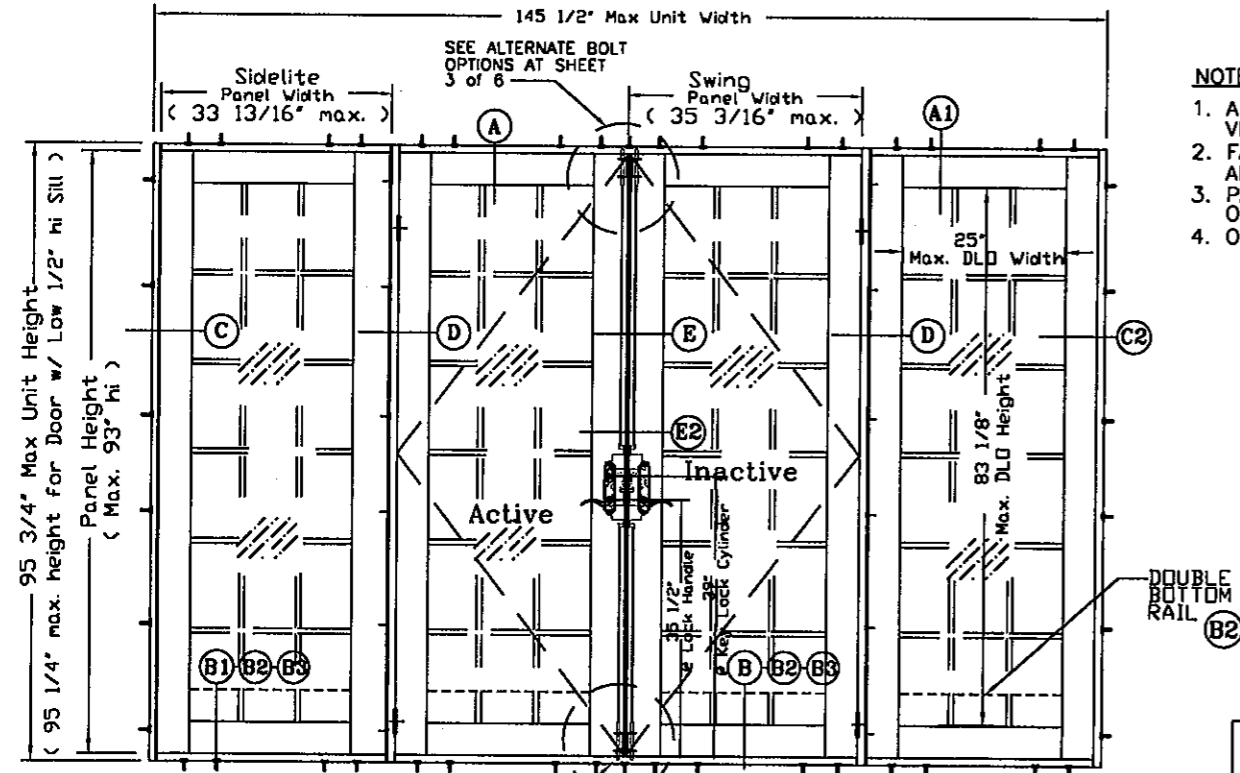
Draw Class: NOA APPROVAL	Part Class:	Prod Category: IMPACT	Series/Model: FRENCH DOOR	Item:	Sheet: 1 OF 6
"La Porte" Impact" French Out-Swing Door					
Reference Number:	Drawing Number: FD-2003	Revision Level: "B"			



APPROVED CONFIGURATIONS

NOTES:

1. ALL ELEVATIONS ARE A GRAPHICAL REPRESENTATION VIEWED FROM THE EXTERIOR SIDE.
2. FALSE COLONIAL MUNTINS ARE APPLIED W/ SILICONE AND ARE AVAILABLE AS OPTIONAL.
3. PANELS ARE AVAILABLE WITH SINGLE BOTTOM RAIL OR DOUBLE BOTTOM RAILS.
4. OUT-SWING DOOR WITHOUT INSECT SCREEN.



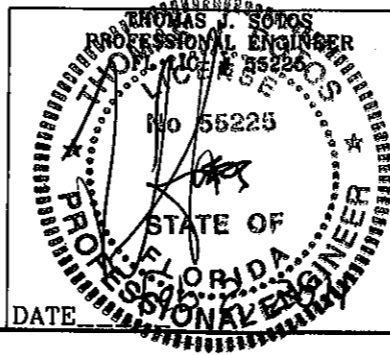
PRODUCT REVISED
 as complying with the Florida
 Building Code
 Acceptance No. 11-9202-03
 Expiration Date 06/05/2013
 By [Signature]
 Miami Dade Product Control

"LaPorte" IMPACT FRENCH OUTSWING DOOR - DESIGN LOAD CHART

PANEL WIDTH/HEIGHT ACTUAL SIZE (INCHES)	NUMBER OF ANCHORS /JAMB	DP GLASS TYPE "A" & "E" +/- (PSF)	DP (PSF)			
			GLASS TYPE "B" +/- (PSF)	GLASS TYPE "C" +/- (PSF)	GLASS TYPE "D" +/- (PSF)	
10 1/4"	77" (5)	+86.0	11 3/16"	+76.0	+76.0	
16 1/4"			17 3/16"	+76.0	+76.0	
22 1/4"			23 3/16"	+76.0	+76.0	
28 1/4"			29 3/16"	+76.0	+76.0	
30 1/4"			31 3/16"	+76.0	+76.0	
34 1/4"	5	+86.0	35 3/16"	+76.0	+76.0	
10 1/4"	93" (6)	+86.0	11 3/16"	+76.0	+76.0	
16 1/4"			17 3/16"	+76.0	+76.0	
22 1/4"			23 3/16"	+76.0	+76.0	
28 1/4"			29 3/16"	+76.0	+76.0	
30 1/4"			31 3/16"	+76.0	+76.0	
34 1/4"	6	+86.0	35 3/16"	+76.0	+76.0	

* OPERABLE PANEL MUST MEET APPLICABLE REQUIREMENTS PER BUILDING CODE.
 * () PARENTHESIS INDICATES # OF ANCHORS AT FRAME JAMB.

- ANCHOR NOTES:**
1. SEE ELEVATION AT SHEET 1 OF 6 FOR ANCHOR O.C. MAX. SPACING AND LOCATIONS.
 2. SEE SHEET 4 OF 6 FOR INSTALLATION FASTENERS TYPES.



Revision Notes:

Revised w/ optional flat sill and 2 point lock 5/03/04	Date Checked: 01/27/11
Revised to comply w/ FBC2004 -11/01/05	Date Drawn: 01/22/10
Revised to comply w/ FBC2007 & added Insulated Glass 01/22/10	Scale: n.t.s.
Ashland Multi-Point Lock 01/27/11	Reference Number:
Revised By: Nelson Erazo	Drawing Number: FD-2003
Drawn By: Nelson Erazo	Revision Level: "g"

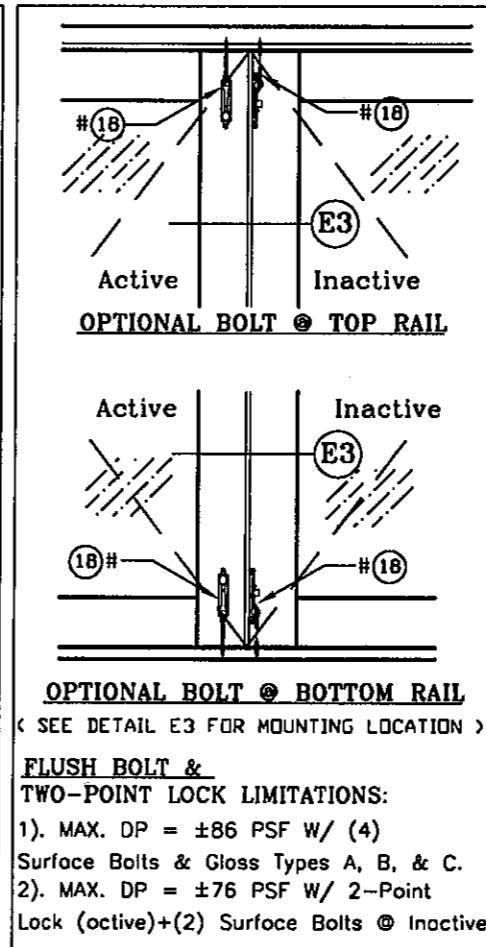
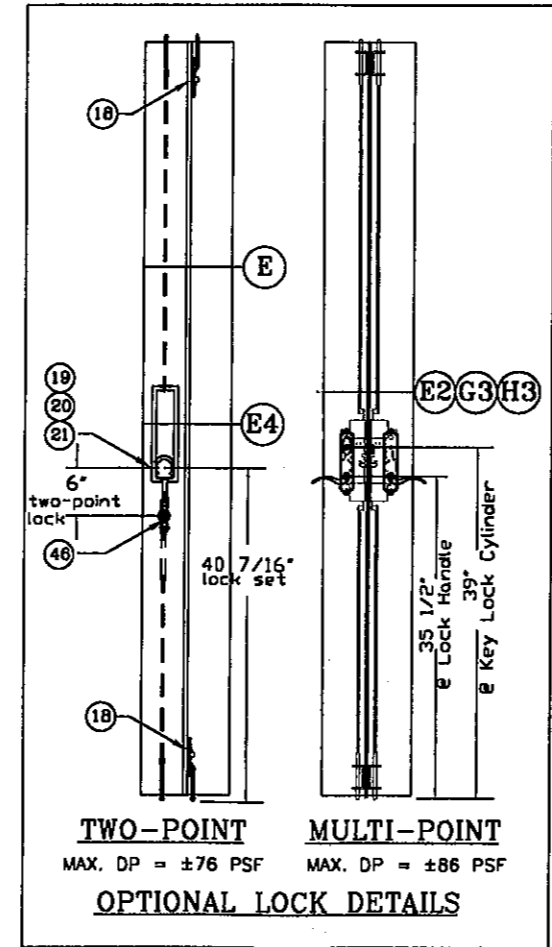
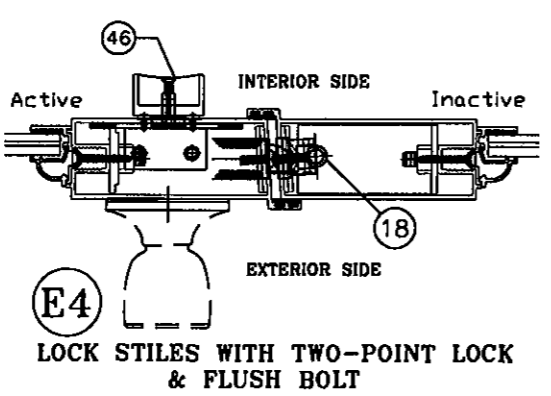
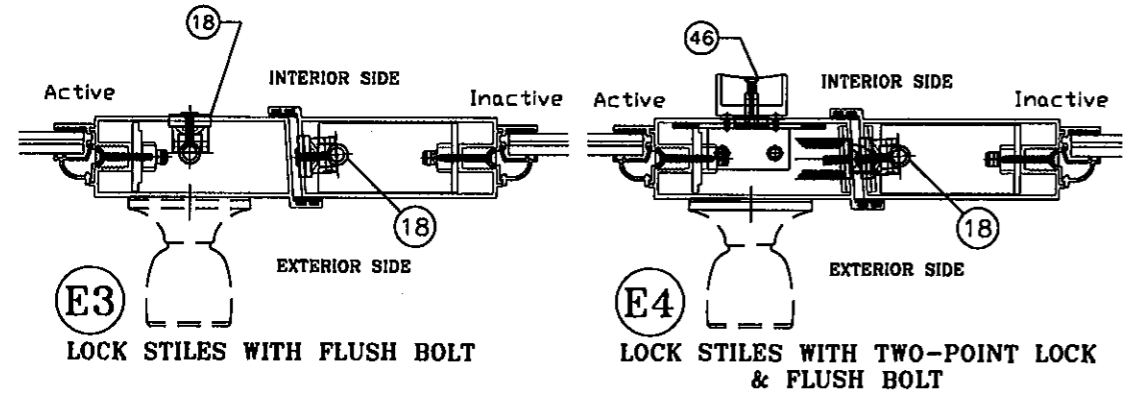
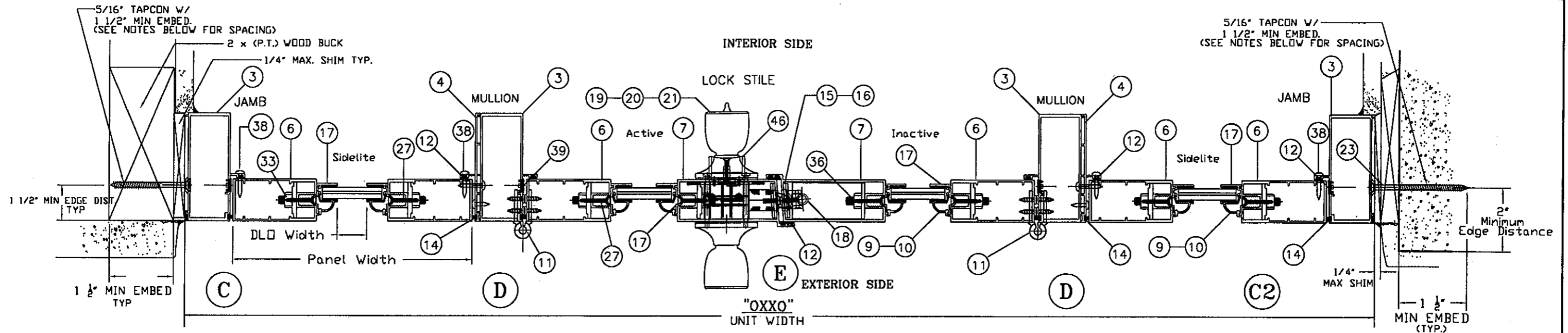
LAWSON INDUSTRIES, INC.
 MANUFACTURER OF QUALITY ALUMINUM WINDOWS AND GLASS DOORS

8501 NW 90th St.
 MEDLEY, FLORIDA 33166
 (305) 696-8660

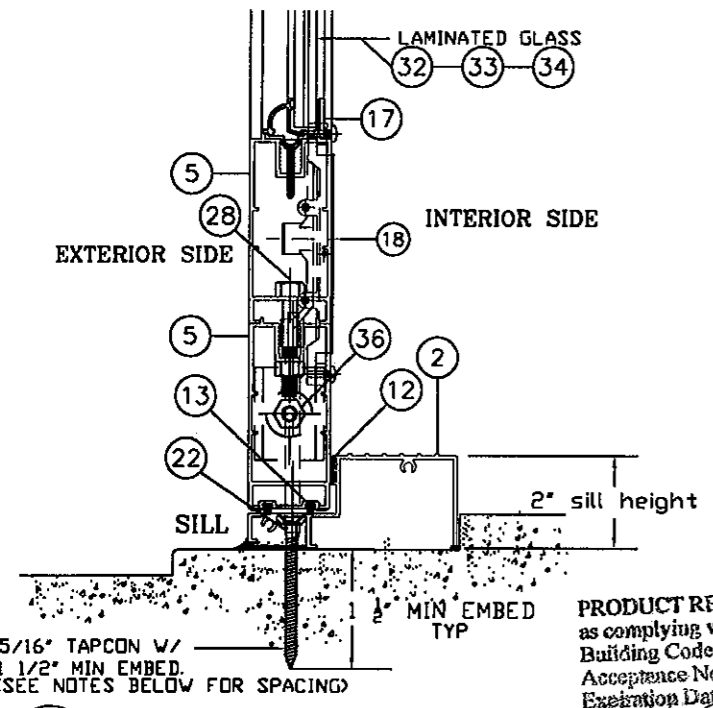
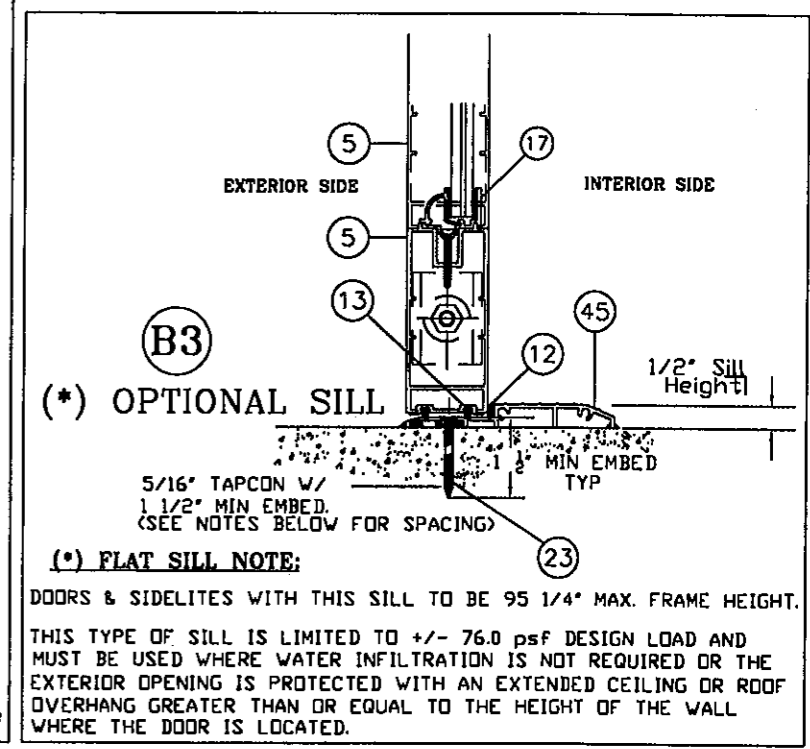
Draw Class: NOA APPROVAL | Part Class: | Prod Category: IMPACT | Series/Model: FRENCH DOOR | Item: | Sheet: 2 OF 6

"La Porte" Impact" French Out-Swing Door

Reference Number: | Drawing Number: FD-2003 | Revision Level: "g"



ANCHOR NOTES:
1. SEE ELEVATION AT SHEET 1 OF 6 FOR ANCHOR O.C. MAX. SPACING AND LOCATIONS.
2. SEE SHEET 4 OF 6 FOR INSTALLATION FASTENERS TYPES.



PRODUCT REVISED as complying with the Florida Building Code Acceptance No. **11-920203** Expiration Date **06/06/2013**
By *[Signature]*
Miami Dade Product Control

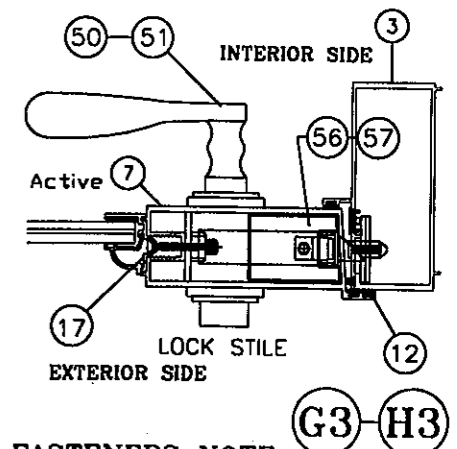
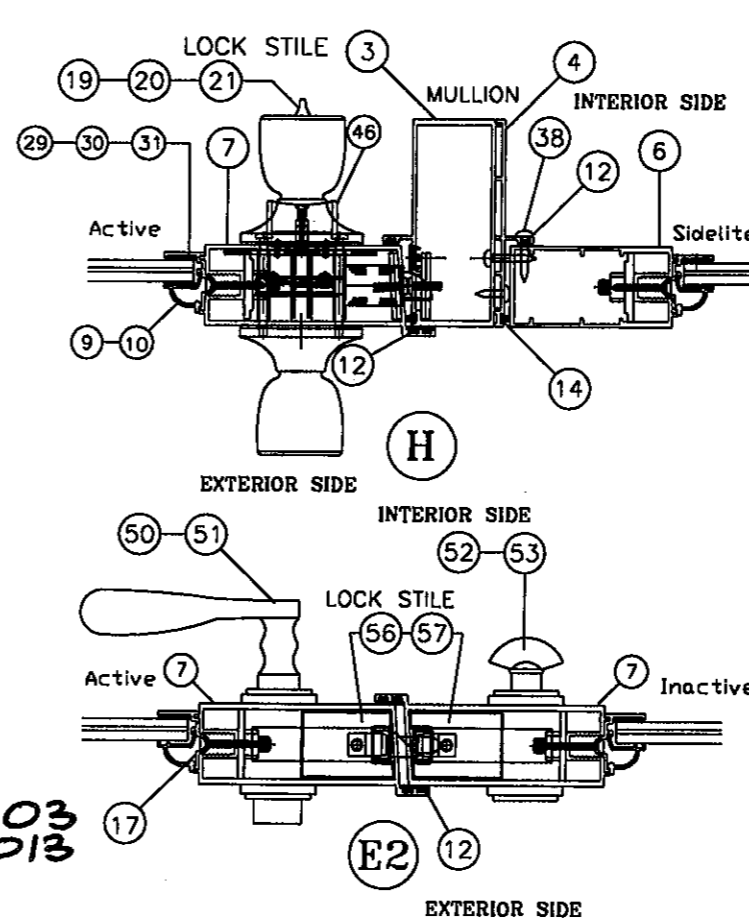
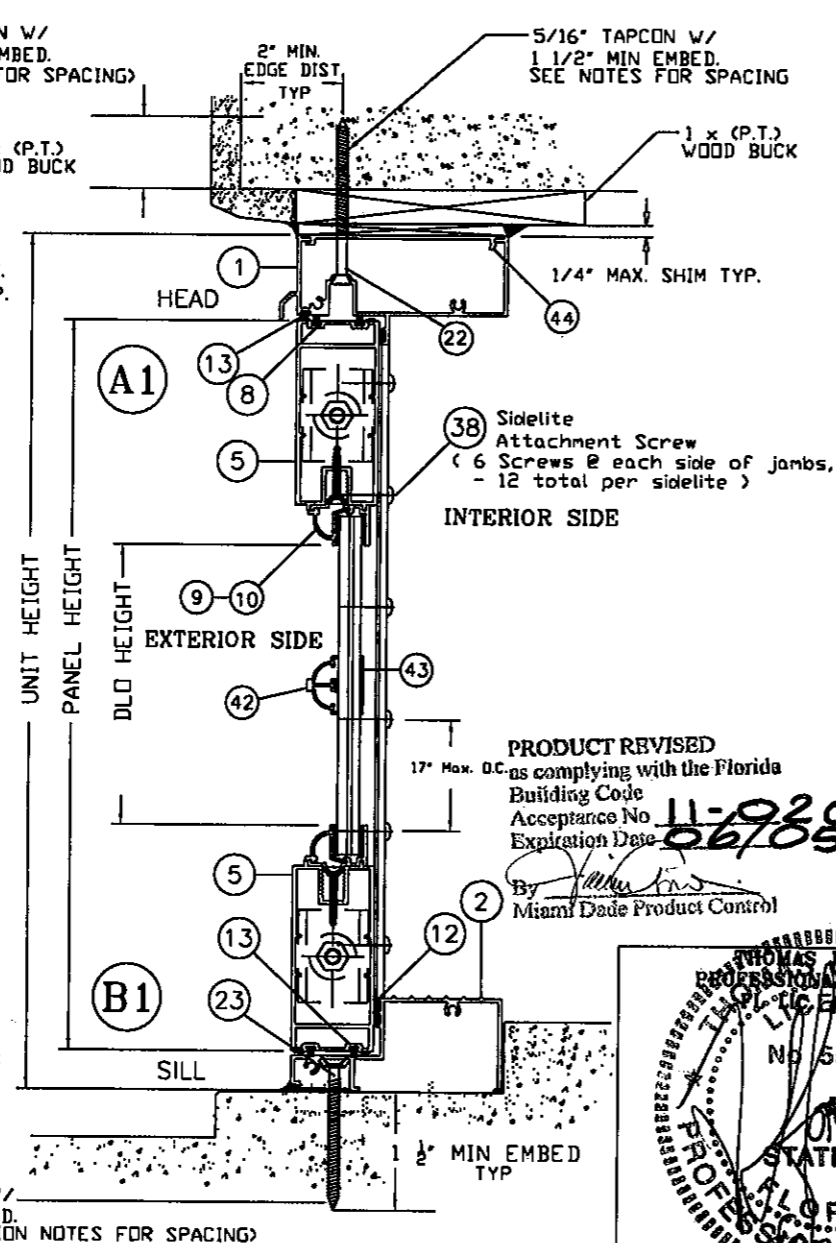
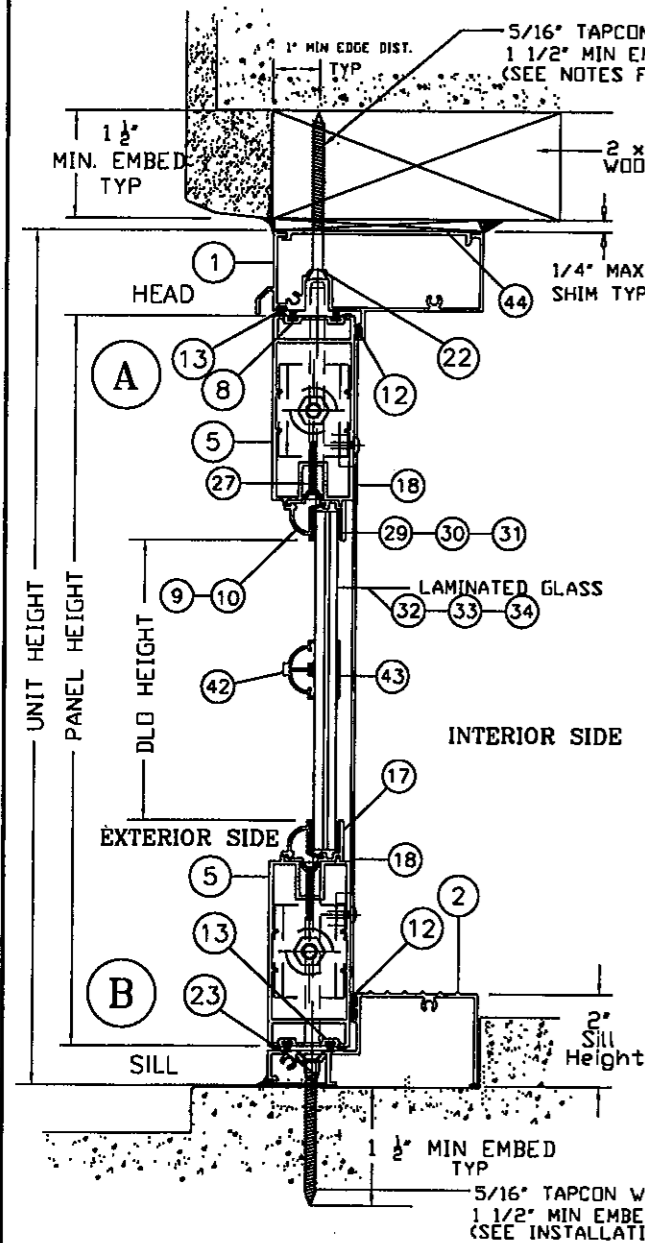
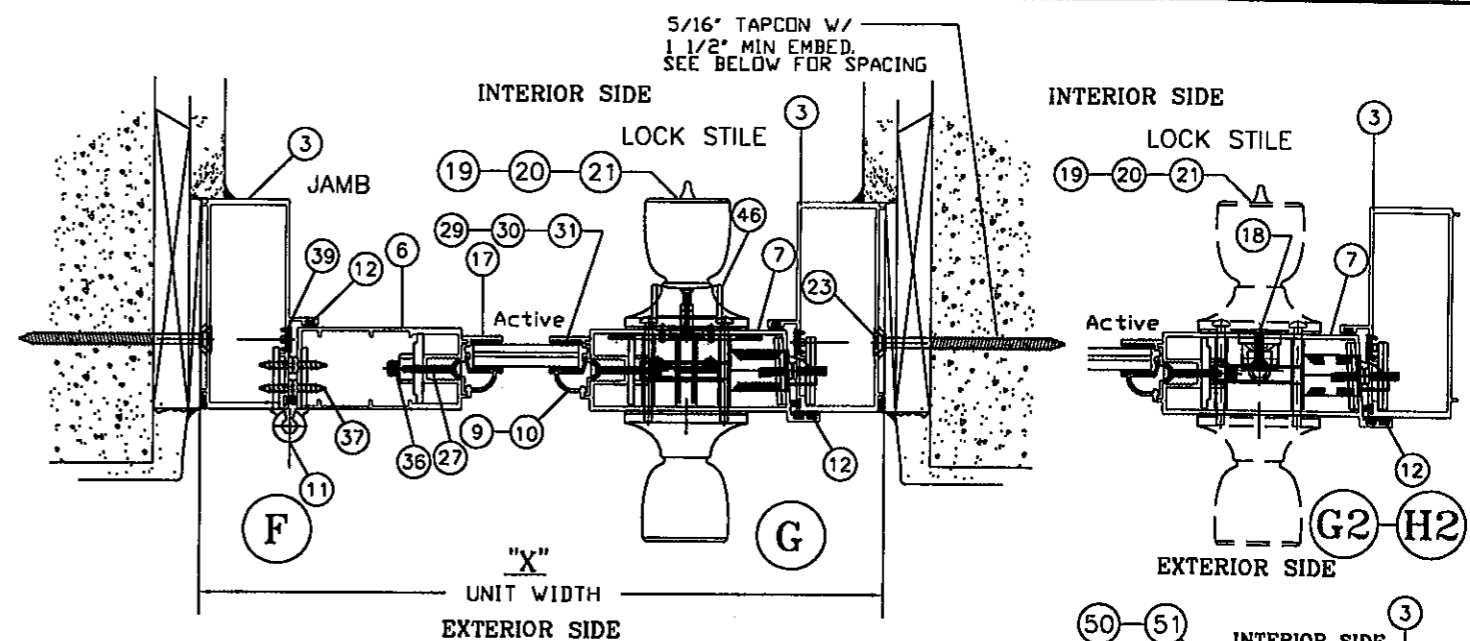
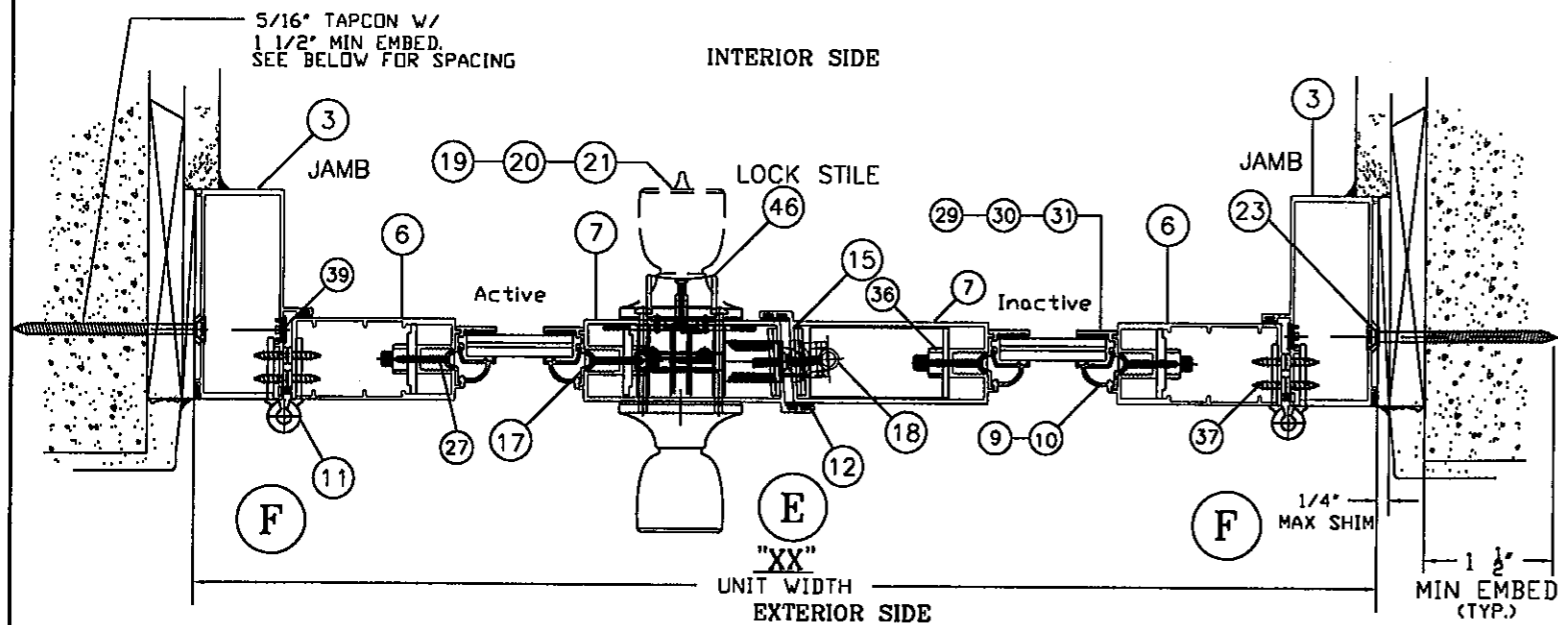
THOMAS J. SOTO
PROFESSIONAL ENGINEER
No. 55225
STATE OF FLORIDA
LICENSED PROFESSIONAL ENGINEER

Revision Notes:

Revised w/ optional flat sill and 2 point lock 5/03/04	Date Checked: 01/27/11
Revised to comply w/ FBC2004 -11/01/05	Date Drawn: 01/22/10
Revised to comply w/ FBC2007 & added Insulated Glass 01/22/10	Scale: n.l.s.
Ashland Multi-Point Lock 01/27/11	Reference Number:
Revised By: Nelson Erazo	Drawing Number: FD-2003
Drawn By: Nelson Erazo	Revision Level: "E"

LAWSON INDUSTRIES, INC.
8501 NW 90th St. MEDLEY, FLORIDA 33166 (305) 696-8660
MANUFACTURER OF QUALITY ALUMINUM WINDOWS AND GLASS DOORS

Draw Class: NOA APPROVAL	Part Class:	Prod Category: IMPACT	Series/Model: FRENCH DOOR	Item:	Sheet: 3 OF 6
"La Porte" Impact" French Out-Swing Door					Reference Number:
Drawing Number: FD-2003					Revision Level: "E"



INSTALLATION FASTENERS NOTE:

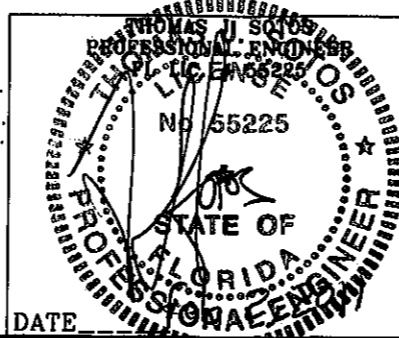
"1X BUCK" MINIMUM REQUIRED FASTENER LENGTH
 HEAD: 5/16" X 3 1/2" Long TAPCON(*)
 SILL: 5/16" X 2 1/4" Long TAPCON(*)
 JAMB: 5/16" X 2 3/4" Long TAPCON(*)
 MULLIONS: 5/16" X 2 1/4" Long TAPCON(*)
 (*) TAPCON BY "ELCO" OR "BUILDEX"

"2X BUCK" MINIMUM REQUIRED FASTENER LENGTH
 HEAD: 5/16" X 3" Long TAPCON(*)
 SILL: 5/16" X 2 1/4" Long TAPCON(*)
 JAMB: 5/16" X 2 1/4" Long TAPCON(*)
 MULLIONS: 5/16" X 2 1/4" Long TAPCON(*)
 (*) TAPCON BY "ELCO" OR "BUILDEX"

NOTES: ALL FASTENERS W/ 1 1/2" MIN. EMBEDMENT, AND 1/4" MAX. SHIM SPACE.

* ALL TAPCON LENGTHS "L" SPECIFIED ARE MINIMUMS (SEE ELEVATION AT SHEET 1 OF 6 FOR ANCHOR MAX. SPACING AND LOCATIONS)

PRODUCT REVISED
 17" Max. O.C. as complying with the Florida Building Code
 Acceptance No. 11-9202.03
 Expiration Date 06/05/2013
 By: [Signature]
 Miami Dade Product Control



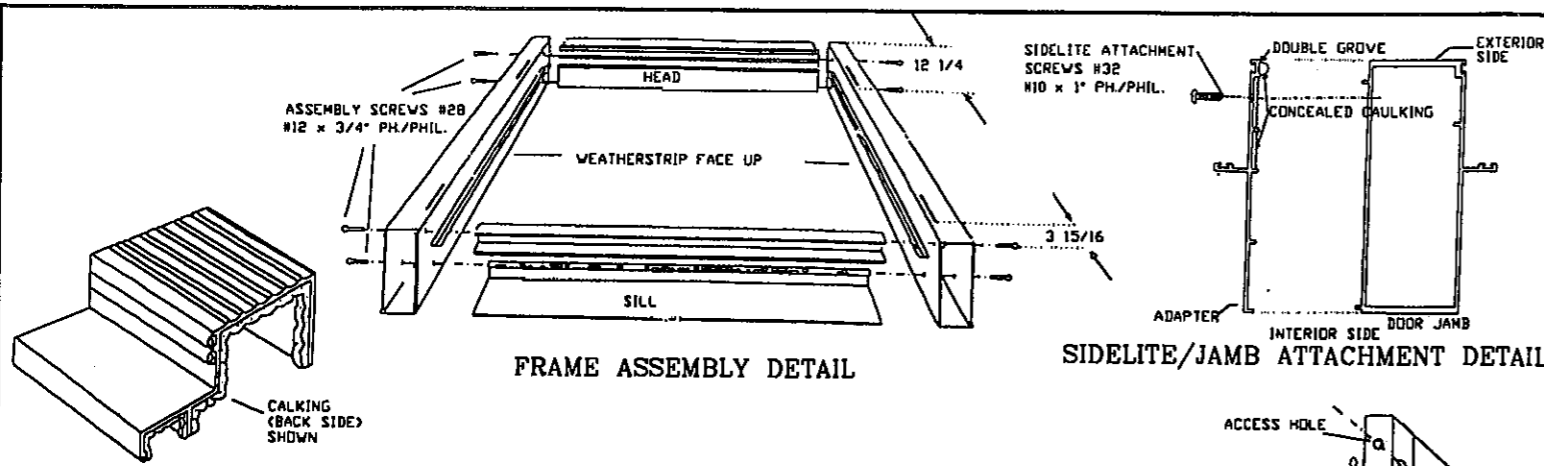
Revision Notes:	
Revised w/ optional flat sill and 2 point lock 5/03/04	
Revised to comply w/ FBC2004 -11/01/05	
Revised to comply w/ FBC2007 & added Insulated Glass 01/22/10	
Ashland Multi-Point Lock 01/27/11	
Revised By: Nelson Erazo	Date Checked: 01/27/11
Drawn By: Nelson Erazo	Date Drawn: 01/22/10
	Scale: n.t.s.

LAWSON INDUSTRIES, INC.
 8501 NW 90th St. MEDLEY, FLORIDA 33166 (305) 696-8660
 MANUFACTURER OF QUALITY ALUMINUM WINDOWS AND GLASS DOORS

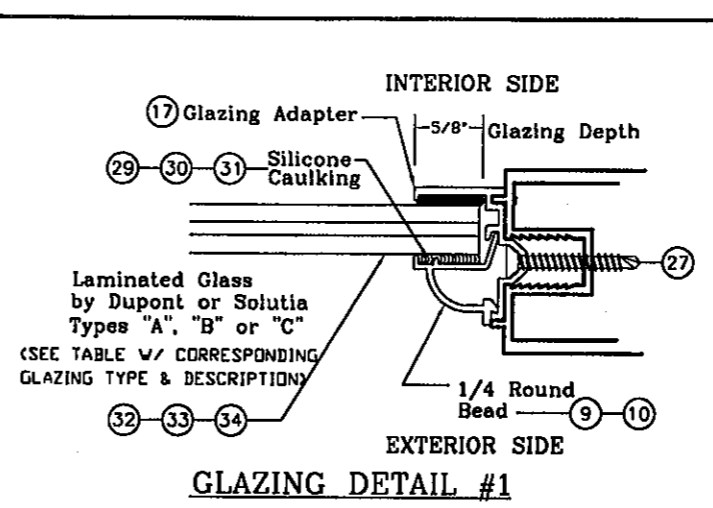
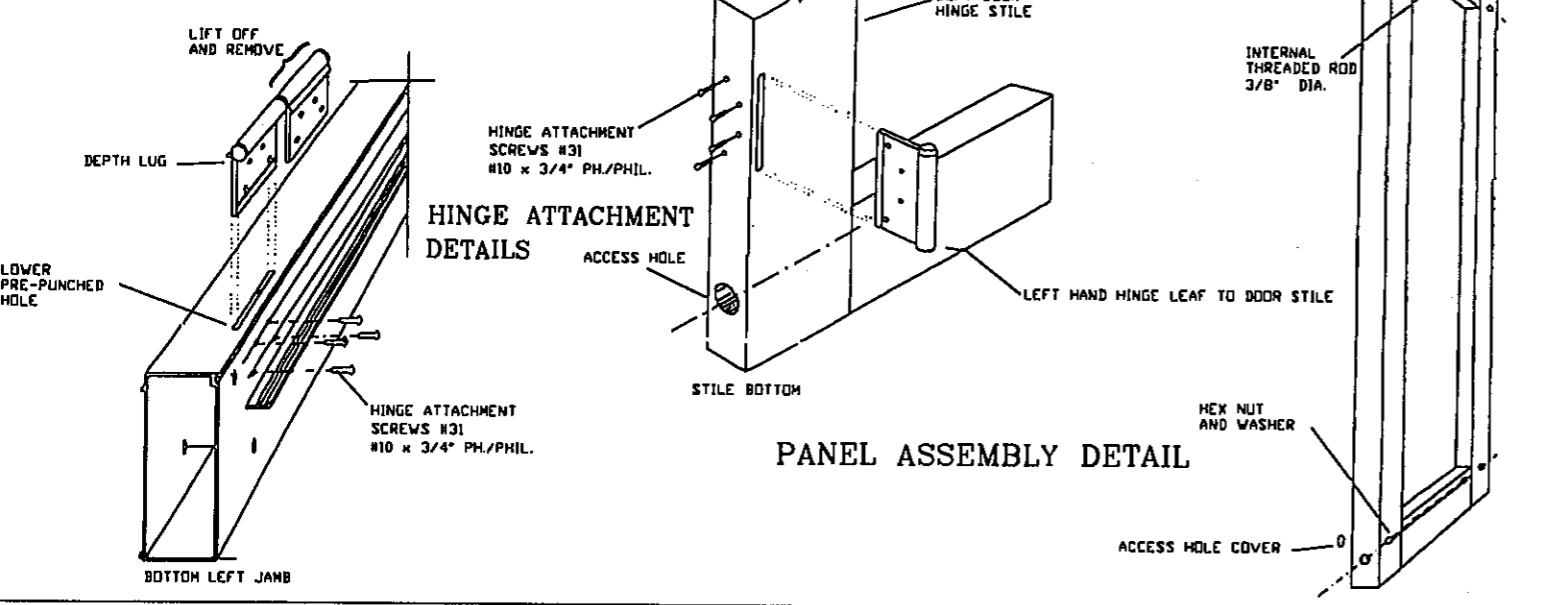
Draw Class: NOA APPROVAL	Part Class:	Prod Category: IMPACT	Series/Model: FRENCH DOOR	Item:	Sheet: 4 OF 6
--------------------------	-------------	-----------------------	---------------------------	-------	---------------

"La Porte" Impact" French Out-Swing Door

Reference Number:	Drawing Number: FD-2003	Revision Level: "E"
-------------------	-------------------------	---------------------

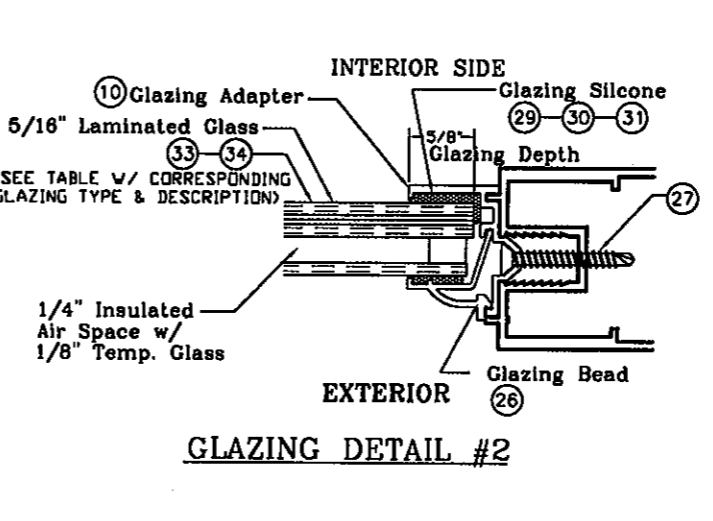


SILL SEALANT DETAIL
NOTE: HEADER TO BE SEALED SIMILAR TO SILL



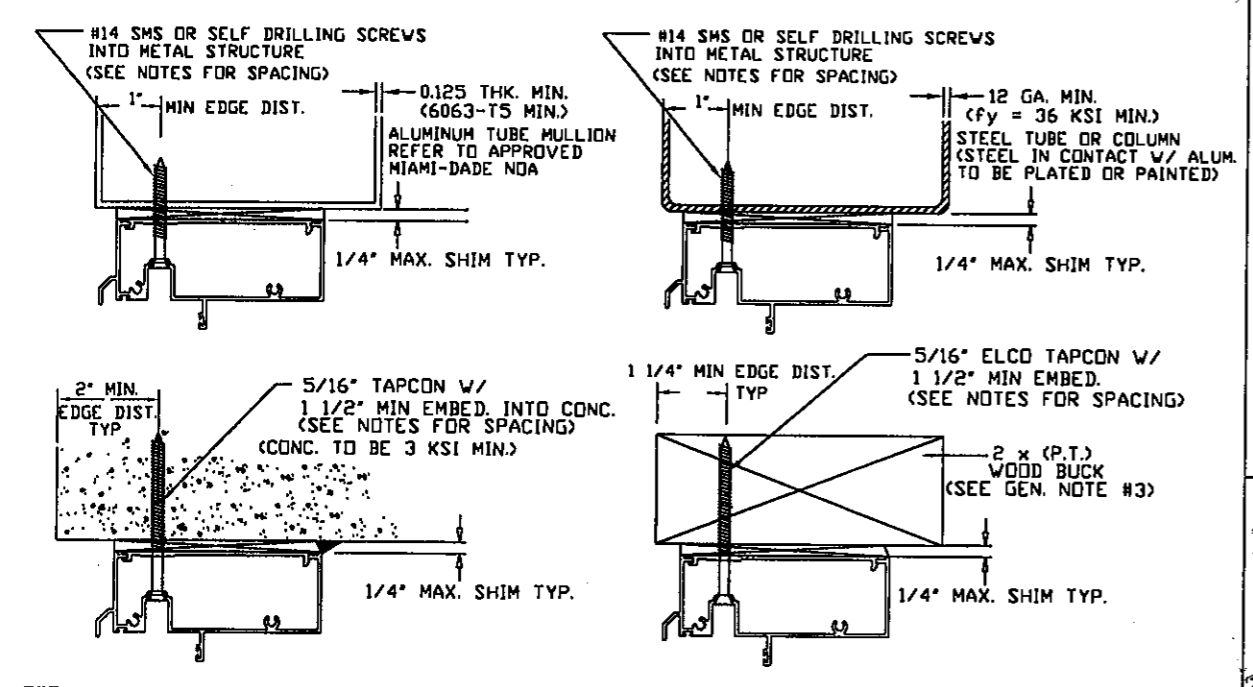
GLAZING DETAIL #1

GLAZING TYPE & DESCRIPTIONS		
.466" O/A Laminated Glass by Dupont - Glass Type "A"		
ITEM	DESCRIPTION	DETAIL
1	3/16" Annealed	32
2	.090" DuPont SGP Interlayer	
3	3/16" Annealed	
.340" O/A Laminated Glass by Dupont - Glass Type "B"		
ITEM	DESCRIPTION	DETAIL
1	1/8" Annealed	33
2	.090" DuPont PVB Interlayer	
3	1/8" Annealed	
.340" O/A Laminated Glass by Solutia - Glass Type "C"		
ITEM	DESCRIPTION	DETAIL
1	1/8" Heat-Strengthened Glass	34
2	.090" Saflex PVB Interlayer	
3	1/8" Heat-Strengthened Glass	

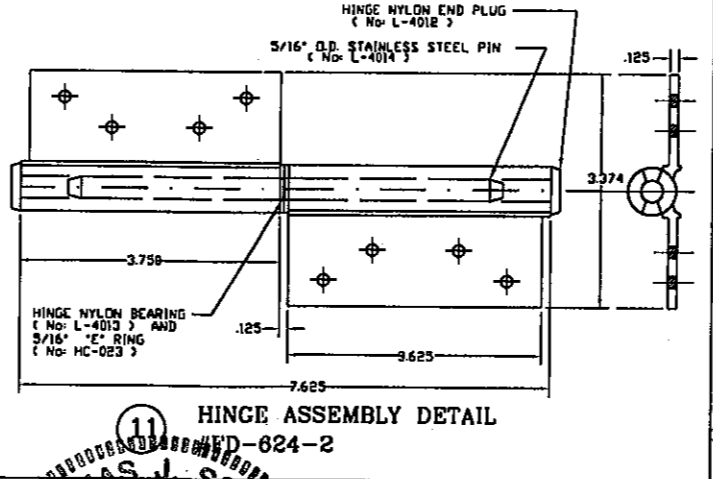


GLAZING DETAIL #2

GLAZING TYPE & DESCRIPTIONS		
.340" O/A Laminated Glass by Solutia - Glass Type "D"		
ITEM	DESCRIPTION	DETAIL
1	1/8" Heat-Strengthened Glass	34
2	.090" Saflex PVB Interlayer	
3	1/8" Heat-Strengthened Glass	
4	1/4" INSULATED AIR SPACE	
5	1/8" TEMPERED GLASS	
.340" O/A Laminated Glass by Solutia - Glass Type "E"		
ITEM	DESCRIPTION	DETAIL
1	1/8" Heat-Strengthened Glass	34
2	.090" DuPont SGP Interlayer	
3	1/8" Heat-Strengthened Glass	
4	1/4" INSULATED AIR SPACE	
5	1/8" TEMPERED GLASS	



FRAME INSTALLATION OPTIONAL DETAILS



HINGE ASSEMBLY DETAIL

PRODUCT REVISED as complying with the Florida Building Code Acceptance No. 11-0202.03 Expiration Date 06/08/2013
By: [Signature] Miami Dade Product Control

THOMAS J. SOYAKS
PROFESSIONAL ENGINEER
FL LIC. # 55225
STATE OF FLORIDA
REGISTERED PROFESSIONAL ENGINEER

Revision Notes:

Revised w/ optional flat sill and 2 point lock 5/03/04	Date Checked: 01/27/11
Revised to comply w/ FBC2004 -11/01/05	Date Drawn: 01/22/10
Revised to comply w/ FBC2007 & added Insulated Glass 01/22/10	Scale: n.t.s.
Ashland Multi-Point Lock 01/27/11	Part Number:
Revised By: Nelson Erazo	Drawing Number: FD-2003
Drawn By: Nelson Erazo	Revision Level: "E"

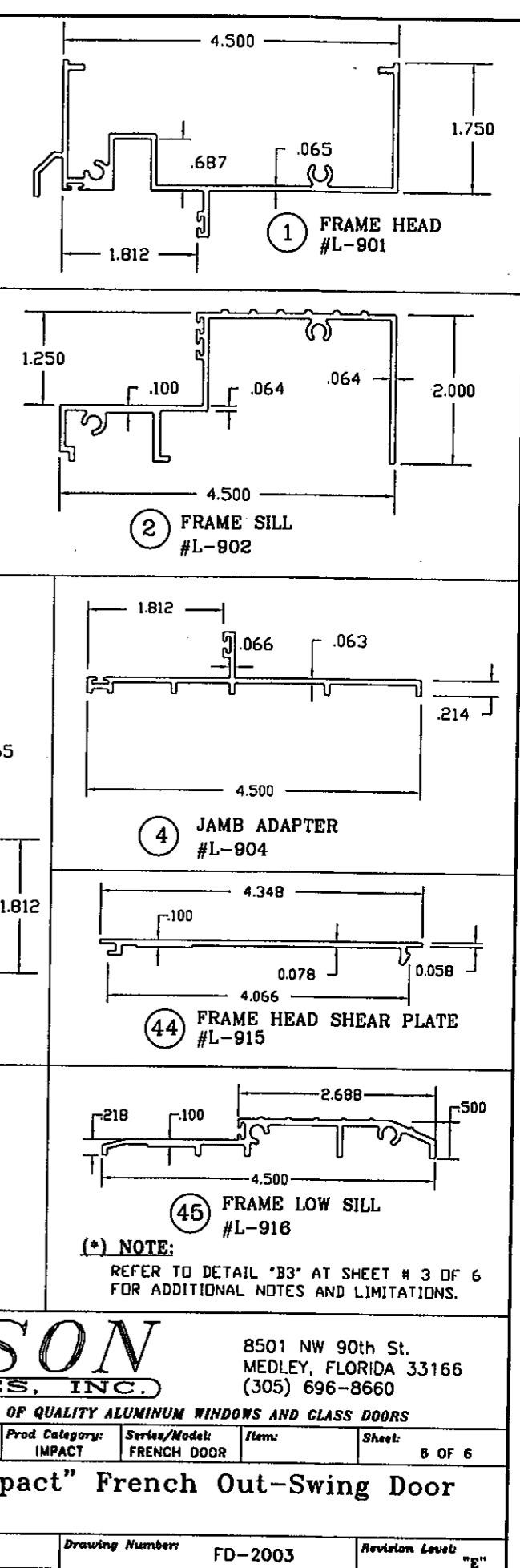
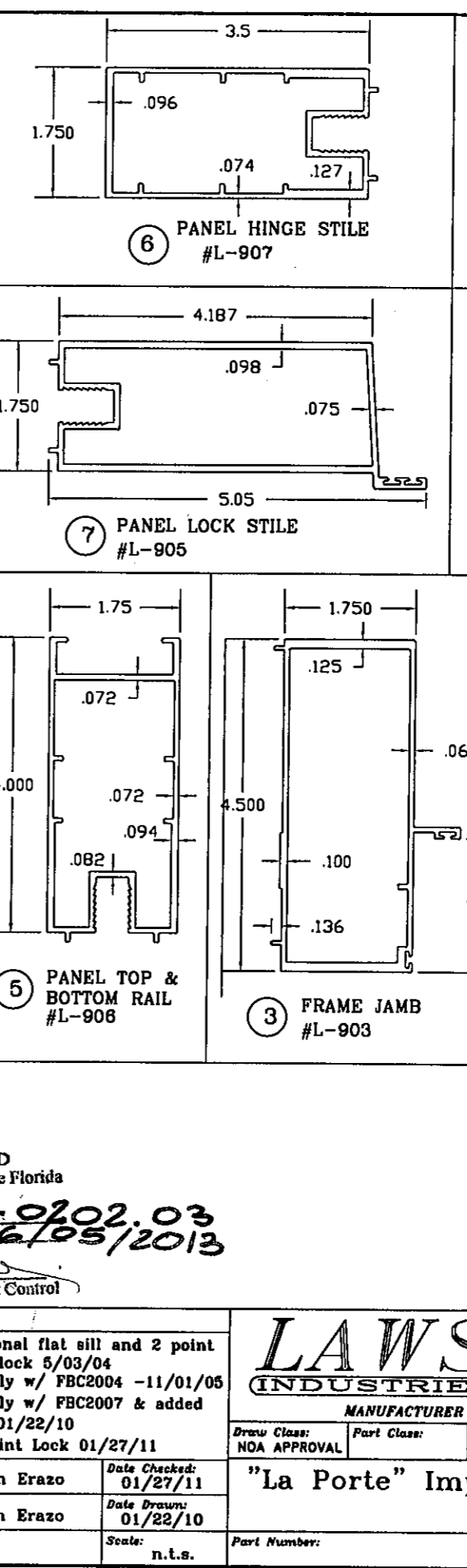
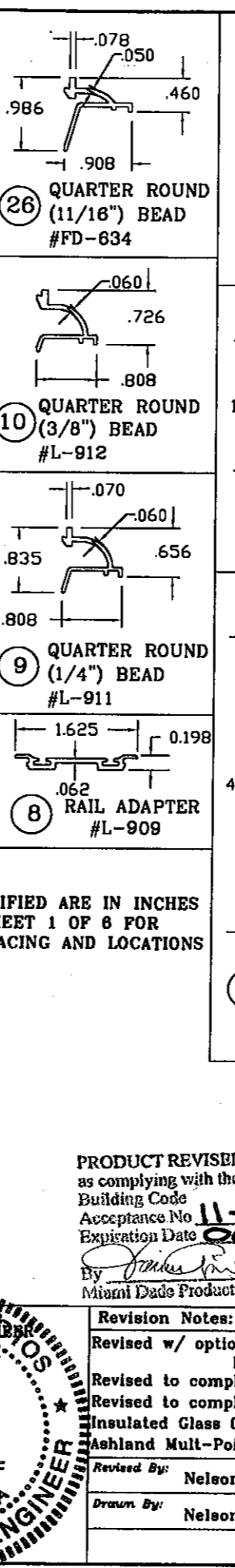
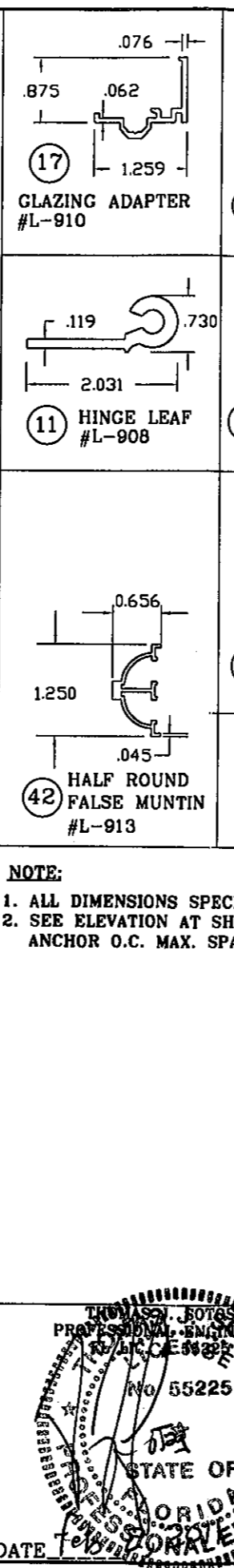
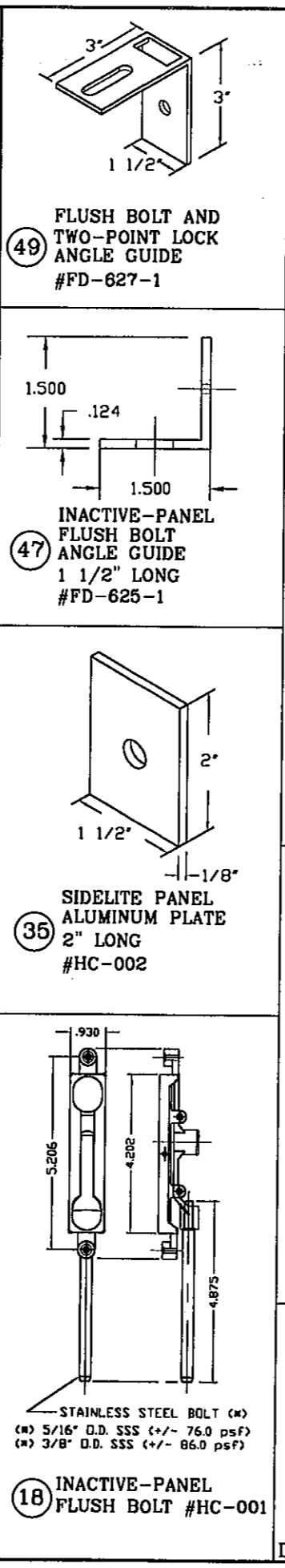
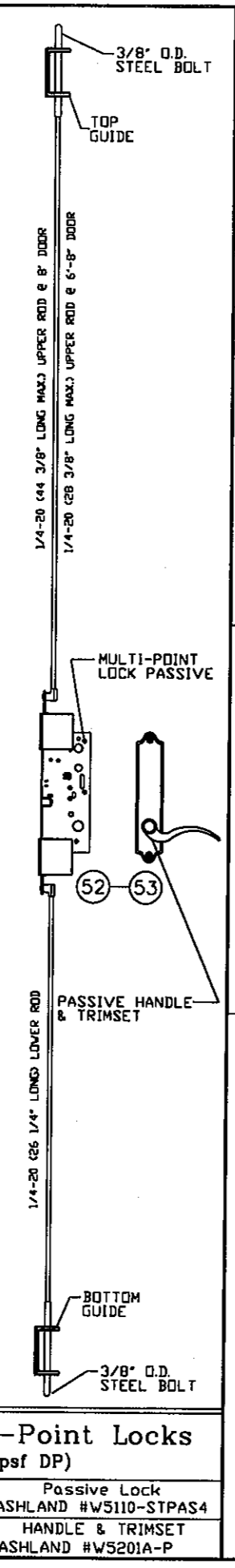
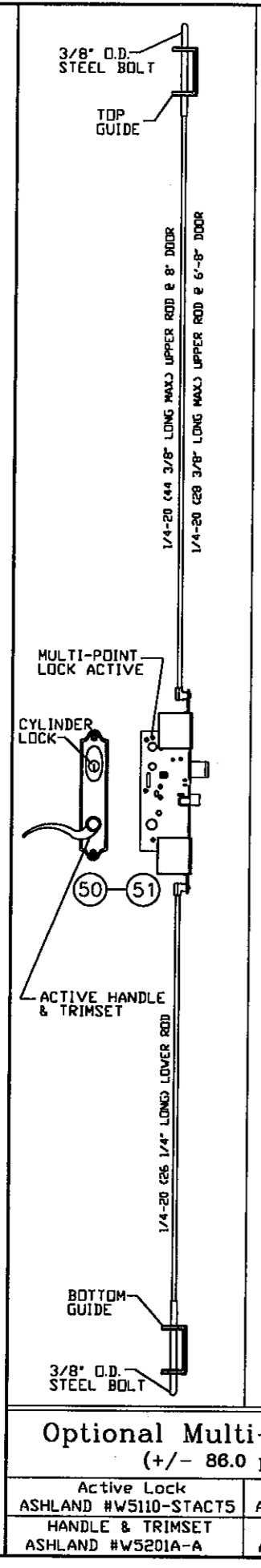
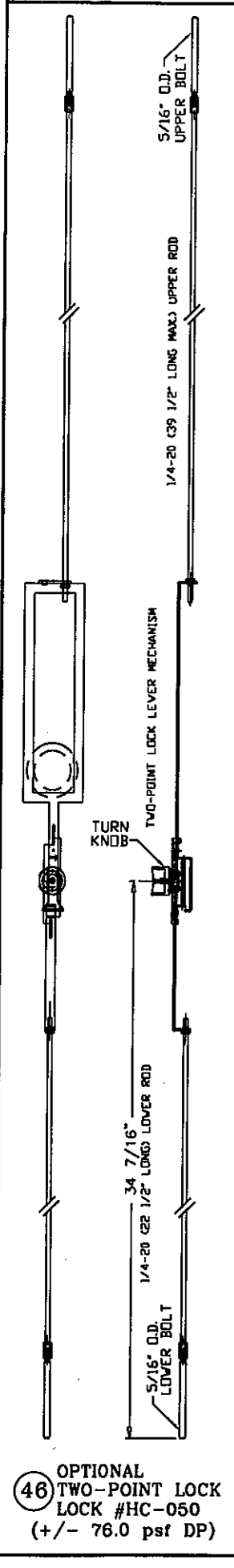
LAWSON INDUSTRIES, INC.
MANUFACTURER OF QUALITY ALUMINUM WINDOWS AND GLASS DOORS

8501 NW 90th St.
MEDLEY, FLORIDA 33166
(305) 696-8660

Draw Class: NOA APPROVAL	Part Class:	Prod Category: IMPACT	Series/Model: FRENCH DOOR	Item:	Sheet: 5 OF 6
--------------------------	-------------	-----------------------	---------------------------	-------	---------------

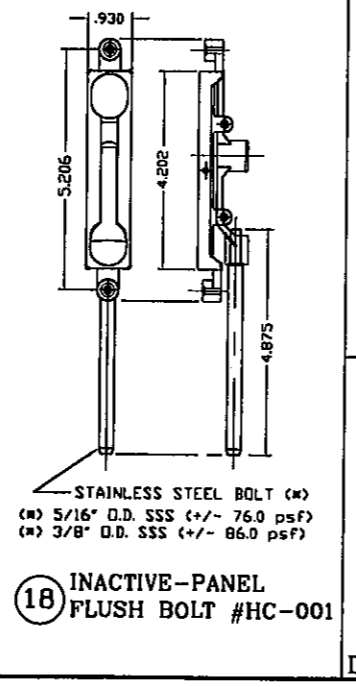
"La Porte" Impact" French Out-Swing Door

Drawing Number: FD-2003
Revision Level: "E"



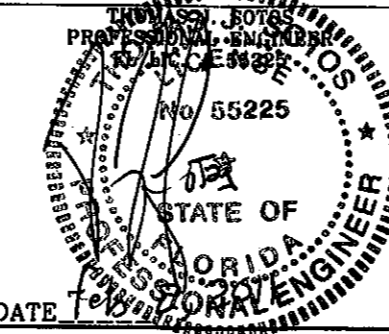
Optional Multi-Point Locks (+/- 86.0 psf DP)

Active Lock ASHLAND #W5110-STACTS HANDLE & TRIMSET ASHLAND #W5201A-A	Passive Lock ASHLAND #W5110-STPAS4 HANDLE & TRIMSET ASHLAND #W5201A-P
---	--



NOTE:
 1. ALL DIMENSIONS SPECIFIED ARE IN INCHES
 2. SEE ELEVATION AT SHEET 1 OF 6 FOR ANCHOR O.C. MAX. SPACING AND LOCATIONS

PRODUCT REVISED as complying with the Florida Building Code Acceptance No. **11-0202.03** Expiration Date **06/05/2013**
 By *[Signature]*
 Miami Dade Product Control



Revision Notes:

Revised w/ optional flat sill and 2 point lock 5/03/04	Date Checked: 01/27/11
Revised to comply w/ FBC2004 -11/01/05	Date Drawn: 01/22/10
Revised to comply w/ FBC2007 & added Insulated Glass 01/22/10	Scale: n.t.s.
Ashland Multi-Point Lock 01/27/11	
Revised By: Nelson Erazo	
Drawn By: Nelson Erazo	

LAWSON INDUSTRIES, INC.
 MANUFACTURER OF QUALITY ALUMINUM WINDOWS AND CLASS DOORS

8501 NW 90th St.
 MEDLEY, FLORIDA 33166
 (305) 696-8660

Draw Class: NOA APPROVAL	Part Class:	Prod Category: IMPACT	Series/Model: FRENCH DOOR	Item:	Sheet: 6 OF 6
--------------------------	-------------	-----------------------	---------------------------	-------	---------------

"La Porte" Impact" French Out-Swing Door

Part Number: Drawing Number: FD-2003 Revision Level: "E"