



**MIAMI-DADE COUNTY**  
**BUILDING AND NEIGHBORHOOD COMPLIANCE DEPARTMENT (BNC)**  
**BOARD AND CODE ADMINISTRATION DIVISION**

**MIAMI-DADE COUNTY**  
**PRODUCT CONTROL SECTION**  
 11805 SW 26 Street, Room 208  
 Miami, Florida 33175-2474  
 T (786) 315-2590 F (786) 315-2599

**NOTICE OF ACCEPTANCE (NOA)**

[www.miamidade.gov/building/](http://www.miamidade.gov/building/)

**3M Company**  
**3M Center Bldg. 235-2S-27**  
**St. Paul, MN 55144**

**SCOPE:**

This NOA is being issued under the applicable rules and regulations governing the use of construction materials. The documentation submitted has been reviewed and accepted by Miami-Dade County BNC - Product Control Section to be used in Miami Dade County and other areas where allowed by the Authority Having Jurisdiction (AHJ).

This NOA shall not be valid after the expiration date stated below. The Miami-Dade County Product Control Section (In Miami Dade County) and/or the AHJ (in areas other than Miami Dade County) reserve the right to have this product or material tested for quality assurance purposes. If this product or material fails to perform in the accepted manner, the manufacturer will incur the expense of such testing and the AHJ may immediately revoke, modify, or suspend the use of such product or material within their jurisdiction. BNC reserves the right to revoke this acceptance, if it is determined by Miami-Dade County Product Control Section that this product or material fails to meet the requirements of the applicable building code.

This product is approved as described herein, and has been designed to comply with the Florida Building Code, including the High Velocity Hurricane Zone.

**DESCRIPTION: Component Approval - 3M™ Series "Ultra S400" and "Ultra Prestige PR-S50" Safety & Security Storm Protection Window Film System – S.M.I.**

**APPROVAL DOCUMENT:** Drawing No. 11-777, titled "3M Storm Protection Window Film," sheets 1 and 2 of 2, dated 04/28/11, prepared by E.C. & Associates, Inc., signed and sealed by Emilio Castro, P.E., bearing the Miami-Dade County Product Control Approval stamp with the Notice of Acceptance number and approval date by the Miami-Dade County Product Control Section.

**MISSILE IMPACT RATING: Small Missile Impact Resistant**

**LABELING:** Each unit shall bear a permanent label with the manufacturer's name or logo, city, state, model/series, and following statement: "Miami-Dade County Product Control Approved", unless otherwise noted herein.

**RENEWAL** of this NOA shall be considered after a renewal application has been filed and there has been no change in the applicable building code negatively affecting the performance of this product.

**TERMINATION** of this NOA will occur after the expiration date or if there has been a revision or change in the materials, use, and/or manufacture of the product or process. Misuse of this NOA as an endorsement of any product, for sales, advertising or any other purposes shall automatically terminate this NOA. Failure to comply with any section of this NOA shall be cause for termination and removal of NOA.

**ADVERTISEMENT:** The NOA number preceded by the words Miami-Dade County, Florida, and followed by the expiration date may be displayed in advertising literature. If any portion of the NOA is displayed, then it shall be done in its entirety.

**INSPECTION:** A copy of this entire NOA shall be provided to the user by the manufacturer or its distributors and shall be available for inspection at the job site at the request of the Building Official. This NOA consists of this page 1 and evidence pages E-1 and E-2, as well as approval document mentioned above.

The submitted documentation was reviewed by **Manuel Perez, P.E.**



**NOA No. 11-0302.02**  
**Expiration Date: August 25, 2016**  
**Approval Date: August 25, 2011**  
**Page 1**


NOTICE OF ACCEPTANCE: EVIDENCE SUBMITTED

**A. DRAWINGS**

1. Manufacturer's die drawings and sections.
2. Drawing No. 11-777, titled "3M Storm Protection Window Film" Sheets 1 and 2 of 2, dated 04/28/11, prepared by E.C. & Associates, Inc., signed and sealed by Emilio Castro, P.E.

**B. TESTS**

1. Test reports on: 1) Uniform Static Air Pressure Test, Loading per FBC TAS 202-94  
2) Small Missile Impact Test per FBC, TAS 201-94  
3) Large Missile Impact Test per FBC, ASTM E 1996  
4) Cyclic Wind Pressure Loading per FBC, ASTM E 1886  
along with marked-up drawings and installation diagram of an aluminum fixed window with ¼" tempered glass with 3M™ Ultra S400 Safety & Security Window Film with 3M™ Impact Protection Adhesive (Black) attachment system, prepared by Architectural Testing, Inc., Test Report No. **ATI-A4056.01-201-44**, dated 10/12/10, signed and sealed by Joseph A. Reed, P.E.
2. Test reports on: 1) Uniform Static Air Pressure Test, Loading per FBC TAS 202-94  
2) Small Missile Impact Test per FBC, TAS 201-94  
3) Large Missile Impact Test per FBC, ASTM E 1996  
4) Cyclic Wind Pressure Loading per FBC, ASTM E 1886  
along with marked-up drawings and installation diagram of an aluminum fixed window with ¼" tempered glass with 3M™ Prestige PR-S50 Tinted Safety & Security Window Film with 3M™ Impact Protection Adhesive (Black) attachment system, prepared by Architectural Testing, Inc., Test Report No. **ATI-A4057.01-201-44**, dated 10/12/10, signed and sealed by Joseph A. Reed, P.E.
3. Test report No. **USTC-114257-2**, prepared by United States Testing Company, Inc., dated 03/29/95, issued to **3M Company**, for their **3M™ Scotchshield™ Film SCLARL 400 (ULTRA S400)** plastic per **ASTM E84-05 "Standard Test Method for Surface Burning Characteristics of Building Materials"**, covering two parameters: Flame Spread and Smoke Developed values, signed by Steve Caldarola, Senior Supervisor Fire Technology and John Lomash, Vice President.
4. Test report No. **ETL-3111130SAT-001**, prepared by Intertek - ETL - Semko, Intertek Testing Services, Inc., dated 12/28/06, issued to **3M Company**, for their **Ultra PR S50** plastic per **ASTM E84-05 "Standard Test Method for Surface Burning Characteristics of Building Materials"**, covering two parameters: Flame Spread Index and Smoke Developed Index, signed by Teodoro Alavarado Jr., E84 Operator and C. Anthony Peñaloca, Flammability Testing Team Leader.

  
Manuel Perez, P.E.  
Product Control Examiner  
NOA No. 11-0302.02  
Expiration Date: August 25, 2016  
Approval Date: August 25, 2011

**NOTICE OF ACCEPTANCE: EVIDENCE SUBMITTED**

**C. CALCULATIONS:**

1. None.
2. Glazing complies with ASTM E1300-04.

**D. QUALITY ASSURANCE**

1. Miami-Dade Building and Neighborhood Compliance Department (BNC).

**E. MATERIAL CERTIFICATIONS**

1. None.

**F. STATEMENTS**

1. Statement letter of conformance and no financial interest, 08/05/11, signed and sealed by Emilio Castro, P.E.

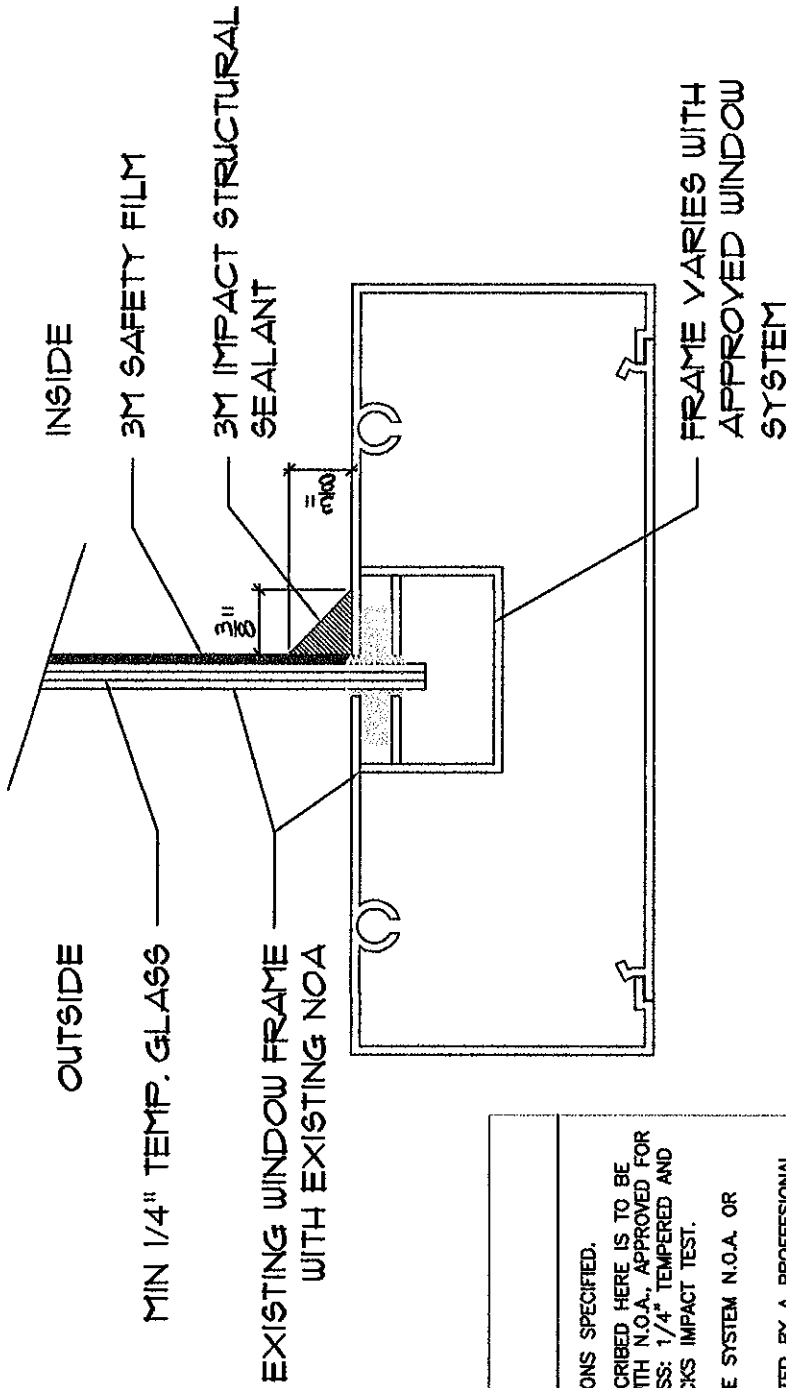
**G. OTHERS**

1. None.

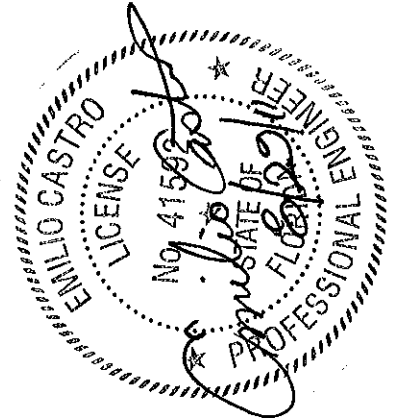
  
Manuel Perez, P.E.  
Product Control Examiner  
NOA No. 11-0302.02

Expiration Date: August 25, 2016

Approval Date: August 25, 2011



**GLAZING DETAIL**  
 SCALE: 3/4" = 1'-0"

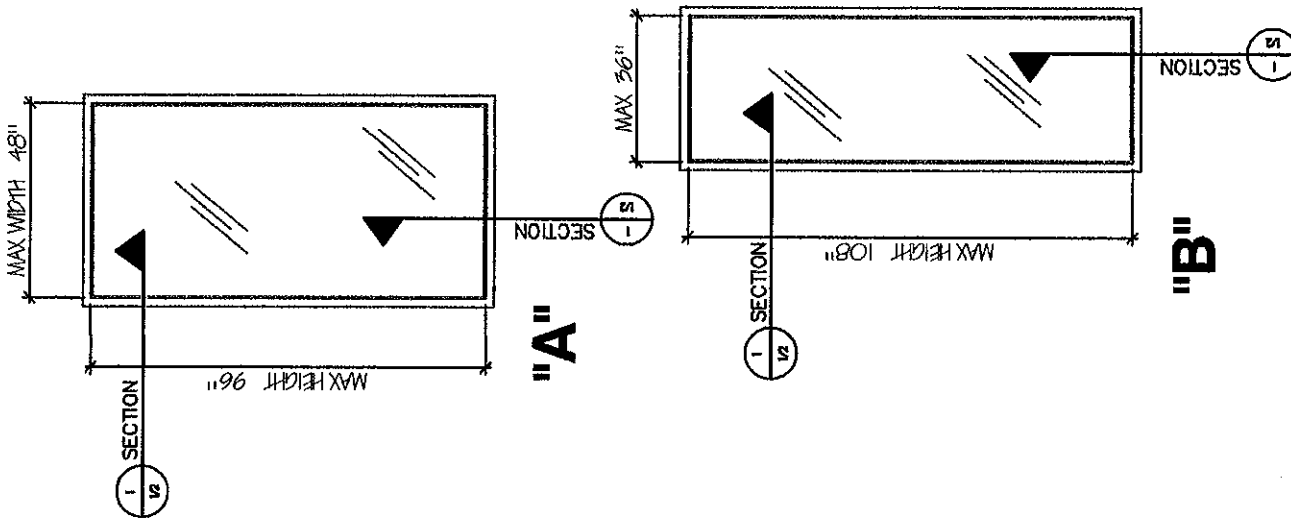


Approved as complying with the Florida Building Code  
 Date **APR. 25, 2011**  
 NO. **11-0302.02**  
 Miami Trade Product Control  
 By *Maureen J...*

**GENERAL NOTES :**

1. DO NOT SCALE DRAWINGS. REFER TO PLAN DIMENSIONS SPECIFIED.
2. THIS IS A COMPONENT APPROVAL AND THE FILM DESCRIBED HERE IS TO BE USED ONLY ON EXISTING FENESTRATION PRODUCTS WITH N.O.A., APPROVED FOR SMALL MISSILE IMPACT WITH MINIMUM GLASS THICKNESS: 1/4" TEMPERED AND TESTED PER THE; NOW OBSOLETE, ROOF GRAVEL ROCKS IMPACT TEST.
3. DESIGN PRESSURE RATING: THE LOWER VALUE OF THE SYSTEM N.O.A. OR THIS COMPONENT NOA SHALL GOVERN.
4. DESIGN LOAD: THE DESIGN LOADS MUST BE CALCULATED BY A PROFESSIONAL ARCHITECT OR ENGINEER FOR EACH SPECIFIC PROJECT. THE CALCULATED DESIGN LOADS OR PRESSURE REQUIREMENT MUST NOT EXCEED THAT ALLOWABLE WINDOW DESIGN PRESSURE RATING.
5. COMPLIES WITH THE FLORIDA BUILDING CODE 2007
6. FASTENERS: ASSEMBLY ANCHORS SHALL BE AS SPECIFIED IN THE SYSTEM N.O.A.
7. USE: IT SHALL BE THE RESPONSIBILITY OF THE CONTRACTOR, ARCHITECT OR ENGINEER OF RECORD TO VERIFY THE FOLLOWING:  
 7.1 THE SITE SPECIFIC PROJECT CRITERIA, SUCH AS BUT NOT LIMITED TO LOCAL CODE REQUIREMENTS, PRESSURE REQUIREMENTS.  
 7.2 THAT APPROVAL IS ADEQUATE TO SPECIFIC PROJECT.  
 7.3 AN EVALUATION OF THE EXISTING STRUCTURE AND ACHORING CONDITION.
8. SMALL MISSILE IMPACT RATING: WIND-BORNE DEBRIS PROTECTION (SHUTTERS) ARE NOT REQUIRED FOR THE INSTALLATION OF THIS SYSTEM ON INSTALLATIONS ABOVE 30 FEET ABOVE GRADE.
9. INSTALLATION CAN ONLY BE PERFORMED BY A 3M APPROVED "CERTIFIED CODE COMPLIANCE DEALER"

|  | <p><b>3M Renewable Energy Div.</b><br/>         3M Center, Bldg 235, E-330-3D-02<br/>         St. Paul, MN 55144-1000<br/>         OFFICE (651) 738-5469<br/>         FAX (651) 736-2007</p>                    |             |      |  |  |  |  |  |  |  |  |  |   |
|--|---|-------------|------|--|--|--|--|--|--|--|--|--|---|
| <p><b>PRODUCT APPROVAL FOR:</b></p>  | <p>3M STORM PROTECTION WINDOW FILM SYSTEM<br/>         3M Company<br/>         3M Center - Bldg 235-2S-27<br/>         St. Paul, MN 55144</p>   |             |      |  |  |  |  |  |  |  |  |  |   |
| <p><b>E.C. &amp; ASSOCIATES, INC.</b></p>  | <p>EMILIO CASTRO P.E.<br/>         CONSULTING CIVIL &amp; STRUCTURAL<br/>         ENGINEERS #EB 0006576<br/>         14811 SW 9th LANE MIAMI, FL. 33194<br/>         OFF. (305) 480-7884 FAX (305) 480-7886</p> |             |      |  |  |  |  |  |  |  |  |  |   |
| <p>Revise</p> <table border="1" style="width: 100%; border-collapse: collapse;"> <thead> <tr> <th>No.</th> <th>Description</th> <th>Date</th> </tr> </thead> <tbody> <tr> <td> </td> <td> </td> <td> </td> </tr> <tr> <td> </td> <td> </td> <td> </td> </tr> <tr> <td> </td> <td> </td> <td> </td> </tr> </tbody> </table> | No.   | Description | Date |  |  |  |  |  |  |  |  |  | <p>Job No. 2011 / 777<br/>         Drawn by: Enrique de la Puente<br/>         Design by: Emilio Castro, P.E.<br/>         Title of Issue: As Indicated<br/>         Date of Issue: APRIL 28, 2011<br/>         Drawing No. 11-777<br/>         Sheet No. 1/2</p> |
| No.  | Description   | Date        |      |  |  |  |  |  |  |  |  |  |   |
|  |   |             |      |  |  |  |  |  |  |  |  |  |   |
|  |   |             |      |  |  |  |  |  |  |  |  |  |   |
|  |   |             |      |  |  |  |  |  |  |  |  |  |   |



# ELEVATIONS

NTS

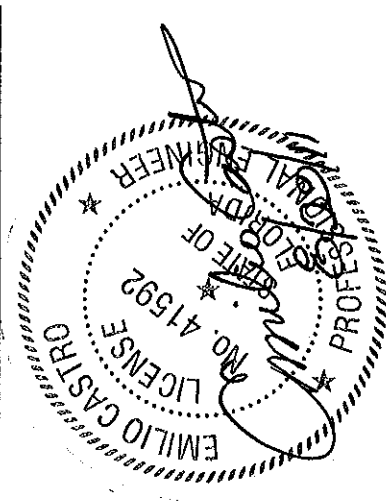
| Rev | Description | Date |
|-----|-------------|------|
|     |             |      |
|     |             |      |
|     |             |      |
|     |             |      |
|     |             |      |
|     |             |      |
|     |             |      |
|     |             |      |
|     |             |      |

Job No. 20111777  
 Drawn by: Peter 4/7/2011  
 Enrique de la Penas  
 Design by: Peter 4/7/2011  
 Emilio Castro, PE  
 Scale: As Indicated  
 Date of Issue: APRIL 28, 2011  
 Drawing No. 11-777  
 Sheet No. 2/2

**E.C. & ASSOCIATES, INC.**  
 EMILIO CASTRO P.E.  
 CONSULTING CIVIL & STRUCTURAL  
 ENGINEERS #EB 0006576  
 14811 SW 9th LANE MIAMI, FL. 33194  
 OFF. (305) 480-7884 FAX (305) 480-7886

**PRODUCT APPROVAL FOR:**  
 3M STORM PROTECTION WINDOW FILM SYSTEM  
 3M Company  
 3M Center - Bldg 235-2S-27  
 St. Paul, MN 55144

Approved as complying with the  
 Florida Building Code  
 Date **AUG 25 2011**  
 NOA# **11-0302-02**  
 Miami Dade Product Control  
 By: *Maureen Speer*



**3M Renewable Energy Div.**  
 3M Center, Bldg 235, E-380-3D-02  
 St. Paul, MN 55144-1000  
 OFFICE (651) 783-5469  
 FAX (651) 788-3007



|   |   |
|---|---|
| <p><b>3M Ultra Prestige PR-S50</b><br/>SAFETY &amp; SECURITY WINDOW FILM</p>  | <p><b>3M ULTRA S400</b><br/>SAFETY &amp; SECURITY WINDOW FILM</p>   |
| <p><b>DESIGN PRESSURE RATING +/- 70 PSF</b></p>   | <p><b>DESIGN PRESSURE RATING +/- 70 PSF</b></p>   |
| <p><b>MATERIAL PROPERTIES:</b><br/>MULTI LAYERED METALIZED OPTICAL FILM— 65-75 %<br/>ADHESIVES— 10-20 %<br/>SILICONE COATED PET LINER— 10-15 %<br/>COATINGS— 1-3 %<br/>TINT COATING— 2-3 %</p>  | <p><b>MATERIAL PROPERTIES:</b><br/>MULTI LAYERED METALIZED OPTICAL FILM— 65-75 %<br/>ADHESIVES— 10-20 %<br/>SILICONE COATED PET LINER— 10-15 %<br/>COATINGS— 1-5 %</p>  |
| <p><b>FIRE TEST PROPERTIES:</b><br/>FLAME TEST INDEX— 10<br/>SMOKE DEVELOPED INDEX— 55</p>  | <p><b>FIRE TEST PROPERTIES:</b><br/>FLAME TEST INDEX— 0<br/>SMOKE DEVELOPED INDEX— 10</p>   |
| <p><b>WEATHERING TEST PROPERTIES:</b><br/>UV LIGHT REJECTED — 98%<br/>TOTAL SOLAR ENERGY REJECTED — 43%<br/>WATER AND WIND TEST PROPERTIES<br/>N/A — FILM AND SILICONE SEALANT ARE INST. ON INSIDE OF GLASS AND ARE NOT EXPOSED TO OUTDOOR ELEMENTS</p> | <p><b>WEATHERING TEST PROPERTIES:</b><br/>UV LIGHT REJECTED — 98%<br/>TOTAL SOLAR ENERGY REJECTED — 17%<br/>WATER AND WIND TEST PROPERTIES<br/>N/A — FILM AND SILICONE SEALANT ARE INST. ON INSIDE OF GLASS AND ARE NOT EXPOSED TO OUTDOOR ELEMENTS</p> |