

NOTICE OF ACCEPTANCE (NOA)

CRL Impact Doors, Inc. dba Delta Doors
7500 NW 69th Ave
Miami, FL 33166

SCOPE:

This NOA is being issued under the applicable rules and regulations governing the use of construction materials. The documentation submitted has been reviewed and accepted by Miami-Dade County BNC -Product Control Section to be used in Miami Dade County and other areas where allowed by the Authority Having Jurisdiction (AHJ).

This NOA shall not be valid after the expiration date stated below. The Miami-Dade County Product Control Section (In Miami Dade County) and/or the AHJ (in areas other than Miami Dade County) reserve the right to have this product or material tested for quality assurance purposes. If this product or material fails to perform in the accepted manner, the manufacturer will incur the expense of such testing and the AHJ may immediately revoke, modify, or suspend the use of such product or material within their jurisdiction. BNC reserves the right to revoke this acceptance, if it is determined by Miami-Dade County Product Control Section that this product or material fails to meet the requirements of the applicable building code.

This product is approved as described herein, and has been designed to comply with the Florida Building Code, including the High Velocity Hurricane Zone.

DESCRIPTION: Series "DNS-20" Outswing Aluminum Entrance Door w/wo Transom

APPROVAL DOCUMENT: Drawing N0. **W11-06**, titled "Series DNS-20 Alum Entrance Door (NI)", sheets 1 through 8 of 8, prepared by Al-Farooq Corporation, dated 02-24-11 and last revised on SEP 26, 2011, signed and sealed by Javad Ahmad, P.E., bearing the Miami-Dade County Product Control approval stamp with the Notice of Acceptance number and approval date by the Miami-Dade County Product Control Section.

MISSILE IMPACT RATING: None. Approved Hurricane Protection Devices, complying w/ FBC are required.

Limitation:

1. Lower design pressure from door capacity charts (sheet 1) or Horizontal mullion capacity charts (sheet2) shall apply for single or double doors w/ transom (O/X or O/XX).

LABELING: Each unit shall bear a permanent label with the manufacturer's name or logo, city, state and series and following statement: "Miami-Dade County Product Control Approved", unless otherwise noted herein.

RENEWAL of this NOA shall be considered after a renewal application has been filed and there has been no change in the applicable building code negatively affecting the performance of this product.

TERMINATION of this NOA will occur after the expiration date or if there has been a revision or change in the materials, use, and/or manufacture of the product or process. Misuse of this NOA as an endorsement of any product, for sales, advertising or any other purposes shall automatically terminate this NOA. Failure to comply with any section of this NOA shall be cause for termination and removal of NOA.

ADVERTISEMENT: The NOA number preceded by the words Miami-Dade County, Florida, and followed by the expiration date may be displayed in advertising literature. If any portion of the NOA is displayed, then it shall be done in its entirety.

INSPECTION: A copy of this entire NOA shall be provided to the user by the manufacturer or its distributors and shall be available for inspection at the job site at the request of the Building Official.

This NOA consists of this page 1 and evidence pages E-1, as well as approval document mentioned above.

The submitted documentation was reviewed by **Ishaq I. Chanda, P.E.**

10/15/11

NOTICE OF ACCEPTANCE: EVIDENCE SUBMITTED

A. DRAWINGS

1. Manufacturer's die drawings and sections.
2. Drawing N0. **W11-06**, titled "Series DNS-20 Alum Entrance Door (NI)", sheets 1 through 8 of 8, prepared by Al-Farooq Corporation, dated 02-24-11 and last revised on SEP 26, 2011, signed and sealed by Javad Ahmad, P.E.

B. TESTS

1. Test reports on:
 - 1) Air Infiltration Test, per FBC, TAS 202-94
 - 2) Uniform Static Air Pressure Test, Loading per FBC TAS 202-94
 - 3) Water Resistance Test, per FBC, TAS 202-94
 - 4) Large Missile Impact Test per FBC, TAS 201-94
 - 5) Cyclic Wind Pressure Loading per FBC, TAS 203-94
 - 6) Forced Entry Test, per FBC 2411 3.2.1, TAS 202-94

Along with marked-up drawings and installation diagram of aluminum outswing entrance doors, prepared by Fenestration Testing Laboratory, Inc., Test Reports No. Test Reports No. **FTL-4242**, dated 08/18/04, signed and sealed by Edmundo Largaespada, P. E.

2. Test reports on:
 - 1) Air Infiltration Test, per FBC, TAS 202-94
 - 2) Uniform Static Air Pressure Test, Loading per FBC TAS 202-94
 - 3) Water Resistance Test, per FBC, TAS 202-94
 - 4) Large Missile Impact Test per FBC, TAS 201-94
 - 5) Cyclic Wind Pressure Loading per FBC, TAS 203-94
 - 6) Forced Entry Test, per FBC 2411 3.2.1, TAS 202-94

Along with marked-up drawings and installation diagram of aluminum outswing entrance doors, prepared by Hurricane Engineering & Testing, Inc., Test Reports No.(s) **HETI-03-1325**, dated 03/17/04, signed and sealed by Rafael E. Droz-Seda, P. E.

C. CALCULATIONS

1. Anchor verification, comparative and structural analysis, prepared by AL- Farooq Corporation, dated 03/22/11 and last revised on Sep 26, 2011, signed and sealed by late Javad Ahmad, P.E.
2. Glazing complies w/ ASTM E-1300-02 & -04

D. QUALITY ASSURANCE

1. Miami Dade Building and Neighborhood Compliance Department (BNC).

E. MATERIAL CERTIFICATIONS

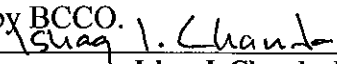
1. None.

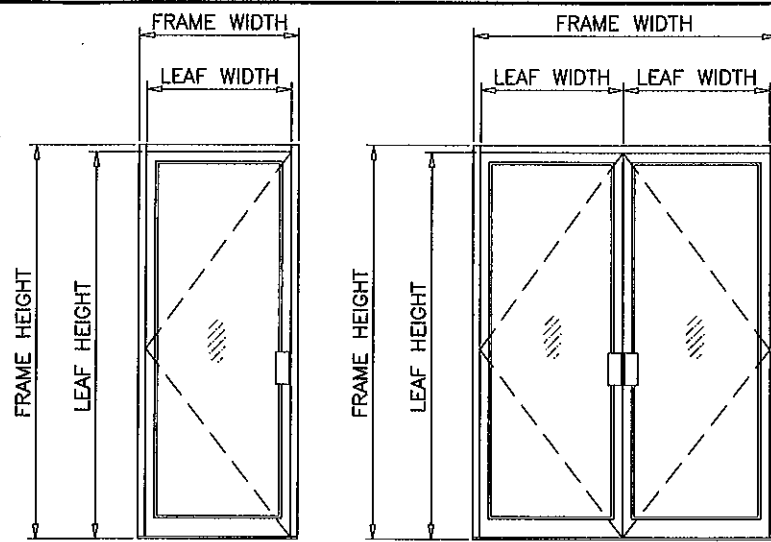
F. STATEMENTS

1. Statement letter of conformance to FBC 2007 and 2010 statement of no financial interest, prepared by Al Farooq Corporation, dated Oct 05, 2011, signed and sealed by Javad Ahmad, P.E.
2. Asset purchase agreement between CRL Impact Doors, Inc. and Vidco Industries, Inc., dated December 17, 2010, signed by Mr. Lloyd W. Talbert and Mr. Jesus Martinez, respectively.
3. Delta Doors fictitious name listing by owner Vidco Industries Inc, with Florida Department of State(Sunbitz).
4. Statement letter of Lab compliance, as a part of above referenced test reports

G. OTHER

1. Test proposals # 02-0472 dated 06/11/03, approved by BCCO.


Ishaq I. Chanda, P.E.
Product Control Examiner
NOA No 11-0415.03
Expiration Date: October 13, 2016
Approval Date: October 13, 2011



(X)

(XX)

DESIGN LOAD CAPACITY - PSF SINGLE OR DOUBLE ENTRANCE DOORS W/O TRANSOM						
NOMINAL DIMS.					LOADS - PSF	
FRAME WIDTH (X)	FRAME WIDTH (XX)	FRAME HEIGHT INCHES	LEAF WIDTH INCHES	LEAF HEIGHT INCHES	EXT.(+)	INT.(-)
33-1/2"	63-1/2"	85-1/2	29-3/4	83	82.3	82.3
39-1/2"	75-1/2"	85-1/2	35-3/4	83	68.6	68.6
33-1/2"	63-1/2"	97-1/2	29-3/4	95	72.0	72.0
39-1/2"	75-1/2"	97-1/2	35-3/4	95	60.0	60.0

NOTE:
GLASS CAPACITIES ON THIS SHEET ARE
BASED ON ASTM E1300-04 (3 SEC. GUSTS)
AND FLORIDA BUILDING COMMISSION
DECLARATORY STATEMENT DCA05-DEC-219

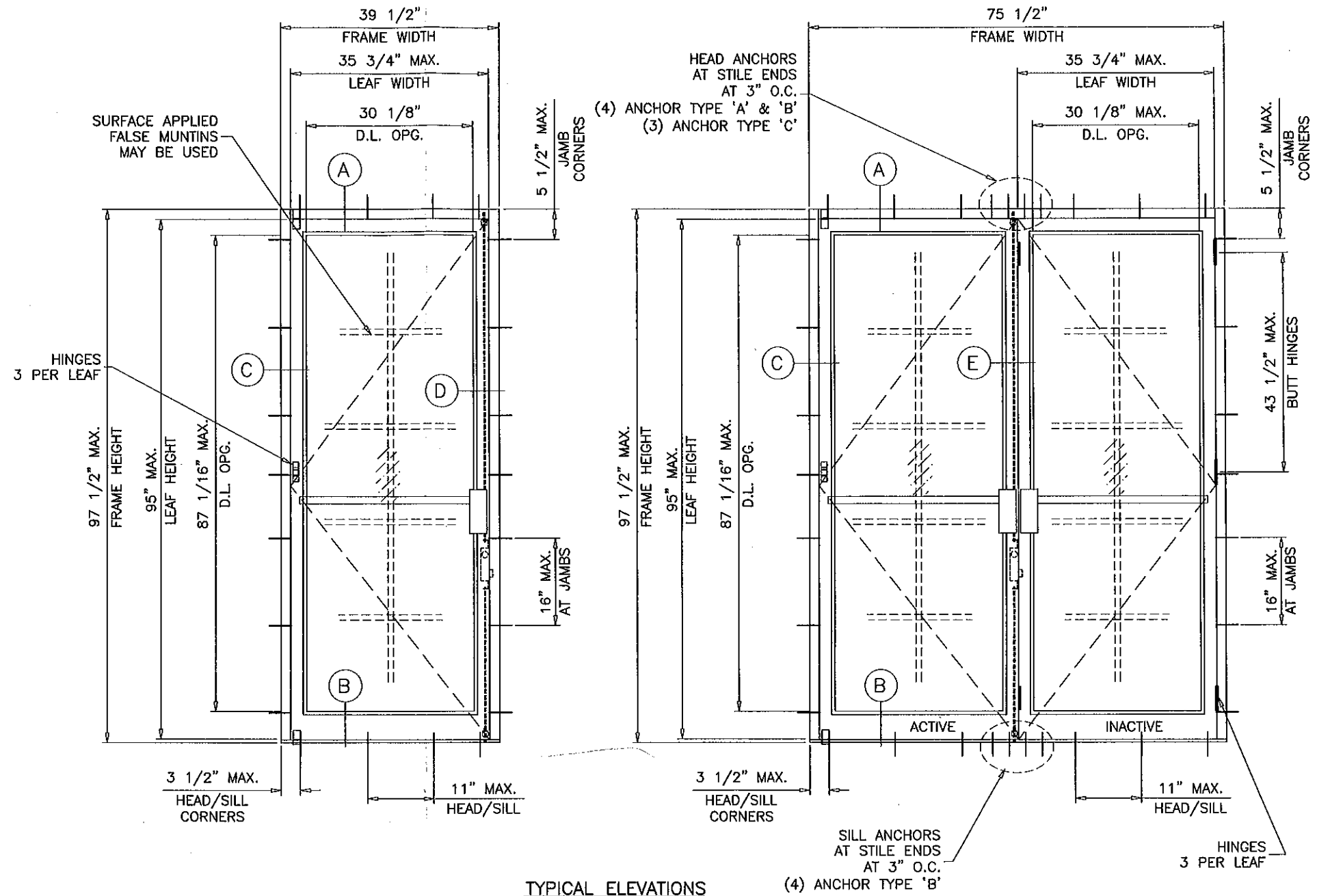
DNS-20 ALUMINUM OUT-SWING ENTRANCE DOOR

SEE CHARTS ABOVE FOR DESIGN LOAD CAPACITY OF SINGLE (X)
AND DOUBLE (XX) DOORS WITHOUT TRANSOM.

FOR HORIZONTAL MULLION (TRANSOM BAR) SEE HORIZONTAL
MULLION LOAD CAPACITY CHARTS ON SHEET 2.
LOWER VALUE RESULTING FROM DOOR CAPACITY CHART OR
HORIZONTAL MULLION CAPACITY CHARTS WILL APPLY FOR
DOORS WITH TRANSOM (O/X OR O/XX).

DOORS CAN ALSO BE USED WITH 'DSF-450' STOREFRONT SYSTEM.
FOR DOORS WITH STOREFRONT SYSTEM SEE SEPARATE NOA FOR
DOOR MULLION CAPACITY AND ANCHORING REQUIREMENTS.
THE LOWEST VALUE RESULTING FROM DOOR CAPACITY CHARTS
OR STOREFRONT NOA WILL APPLY TO ENTIRE SYSTEM.

DOORS NOT APPROVED FOR INSTALLATIONS WHERE WATER
INFILTRATION RESISTANCE IS REQUIRED.



TYPICAL ELEVATIONS

GLASS D.L.O. DIMS.

D.L.O. HEIGHT = FRAME HEIGHT - 10.438"
D.L.O. WIDTH (X DOORS) = FRAME WIDTH - 9.375"
D.L.O. WIDTH (XX DOORS) = (FRAME WIDTH - 15.250")/2

THIS PRODUCT HAS BEEN DESIGNED AND TESTED TO COMPLY WITH THE
REQUIREMENTS OF THE FLORIDA BUILDING CODE 2007/2010 EDITION INCLUDING
HIGH VELOCITY HURRICANE ZONE (HVHZ).

1BY OR 2BY WOOD BUCKS BY OTHERS, MUST BE ANCHORED PROPERLY TO
TRANSFER LOADS TO THE STRUCTURE.

ANCHORS SHALL BE AS LISTED, SPACED AS SHOWN ON DETAILS, ANCHORS
EMBEDMENT TO BASE MATERIAL SHALL BE BEYOND WALL DRESSING OR STUCCO.

ANCHORING OR LOADING CONDITIONS NOT SHOWN IN THESE DETAILS
ARE NOT PART OF THIS APPROVAL.

A LOAD DURATION INCREASE IS USED IN DESIGN OF ANCHORS INTO WOOD ONLY.

MATERIALS INCLUDING BUT NOT LIMITED TO STEEL/METAL SCREWS, THAT COME INTO
CONTACT WITH OTHER DISSIMILAR MATERIALS SHALL MEET THE REQUIREMENTS
OF 2007 FLORIDA BLDG. CODE SECTION 2003.8.4.

DOORS NOT RATED FOR IMPACT.
INSTALLATION OF THIS PRODUCT IN THE HVHZ AREA REQUIRES THE
USE OF APPROVED SHUTTERS OR EXTERNAL PROTECTION DEVICES
COMPLYING WITH HVHZ REQUIREMENTS.
INSTALLATION OF THIS SYSTEM OUTSIDE THE HVHZ AREA SHALL MEET
THE APPLICABLE REQUIREMENTS FOR WIND BORNE DEBRIS PROTECTION.

Approved as complying with the
Florida Building Code
Date: October 13, 2011
NOA# 11-0415-03
Miami Dade Product Control
By: Ishaq I. Chandra

Engr: JAVAD AHMAD
CIVIL
FLA. PE # 70592
C.A.N. 3538
SEP 26 2011

**MONOLITHIC GLASS
NON-IMPACT**

af c
AL-FAROOQ CORPORATION
ENGINEERS & PRODUCT DEVELOPMENT
1235 S.W. 87 AVE
MIAMI, FLORIDA 33174
TEL. (305) 264-8100 FAX. (305) 262-6978
COMP-ANL\W11-06DD

DNS-20 ALUM OUT-SWING ENTRANCE DOOR (N.I.)
CRL IMPACT DOORS, INC
d/b/a DELTA DOORS
7500 N.W. 69TH AVE.
MIAMI, FL 33166
TEL (305) 888-0077 FAX. (305) 884-3111

revisions:	no	date	description
	A	06.07.11	REV. PER BNC COMMENTS
	B	09.06.11	REV. PER BNC COMMENTS

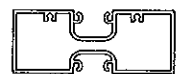
date: 02-24-11
scale: 1/2"=1'-0"
dr. by: HAMID
chk. by:

drawing no.
W11-06

sheet 1 of 8

DESIGN LOAD CAPACITY - PSF
SINGLE DOOR HORIZONTAL MULLION (TRANSOM BAR)
WITHOUT CLIP

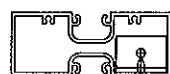
NOMINAL DIMS.			LOADS - PSF
FRAME WIDTH INCHES	DOOR HEIGHT INCHES	TRANSOM HEIGHT INCHES	EXT. (+) INT. (-)
33-1/2	97-1/2	22-1/2	60.0
		26-1/2	51.4
39-1/2	97-1/2	22-1/2	60.0



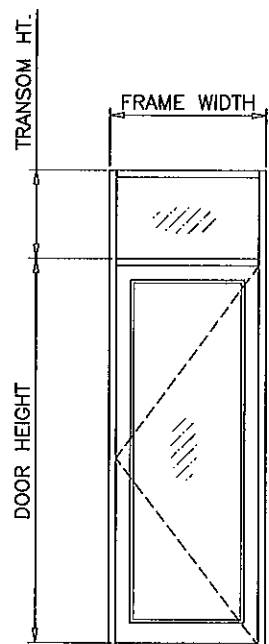
WITHOUT CLIP

DESIGN LOAD CAPACITY - PSF
DOUBLE DOOR HORIZONTAL MULLION (TRANSOM BAR)
WITH ANGLE REINFORCED CLIP

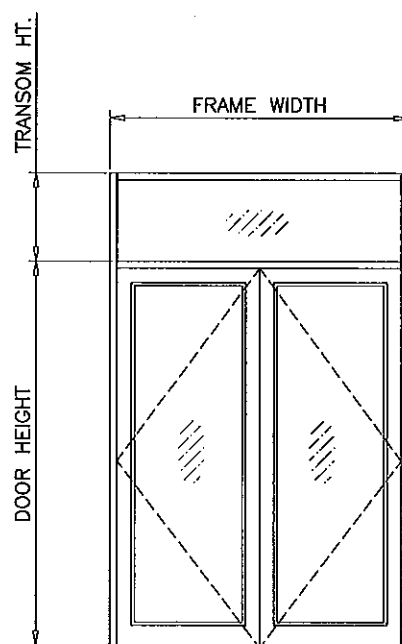
NOMINAL DIMS.			LOADS - PSF
FRAME WIDTH INCHES	DOOR HEIGHT INCHES	TRANSOM HEIGHT INCHES	EXT. (+) INT. (-)
63-1/2	97-1/2	22-1/2	60.0
		26-1/2	51.4
75-1/2	97-1/2	22-1/2	60.0



WITH CLIP

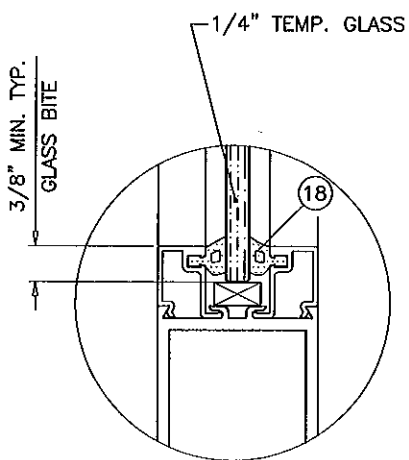


(O/X)

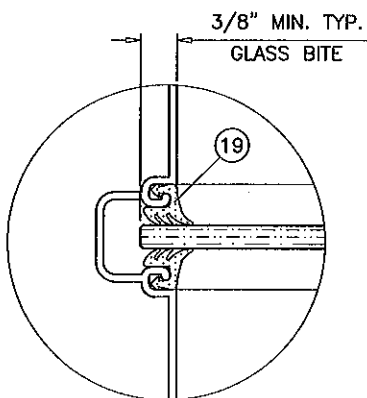


(O/XX)

NOTE:
FOR DOORS CAPACITY SEE SHEET 1.
FOR HORIZONTAL MULLION CAPACITY SEE CHART ABOVE.
LOWER VALUES FROM DOORS OR HORIZONTAL MULLION CHART
WILL APPLY TO ENTIRE SYSTEM.

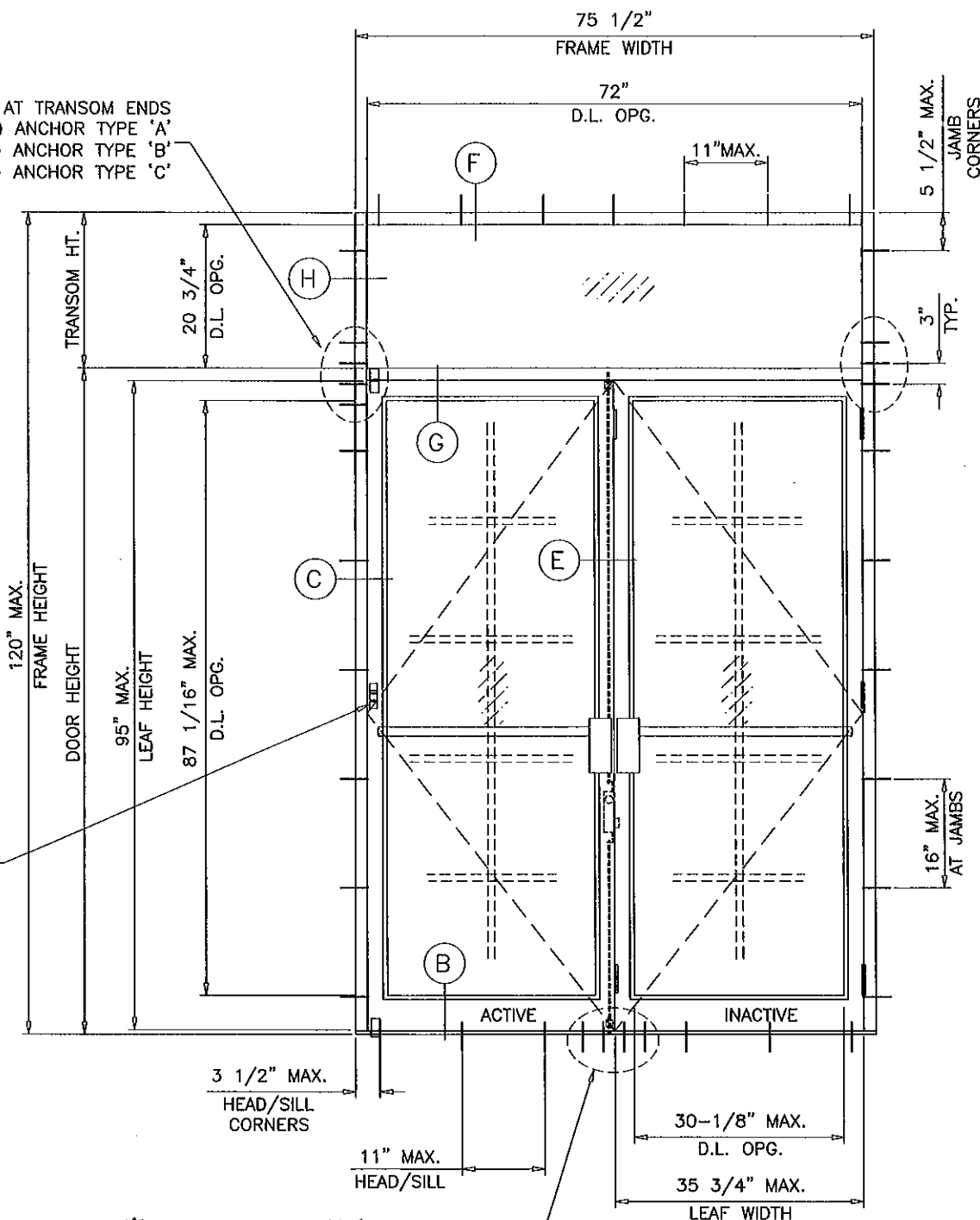


GLAZING DETAIL
DOOR LEAF



GLAZING DETAIL
FIXED LITE

ANCHORS AT TRANSOM ENDS
(4) ANCHOR TYPE 'A'
(4) ANCHOR TYPE 'B'
(3) ANCHOR TYPE 'C'



Approved as complying with the
Florida Building Code
Date 08/13/2011
NOA# 11-0415-05
Miami Code Product Control
By Isaac J. Chan

SILL ANCHORS
AT STILE ENDS
AT 3" O.C.
(4) ANCHOR TYPE 'B'

NOTE:
GLASS CAPACITIES ON THIS SHEET ARE
BASED ON ASTM E1300-04 (3 SEC. GUSTS)
AND FLORIDA BUILDING COMMISSION
DECLARATORY STATEMENT DCA05-DEC-219

Engr: JAVAD AHMAD
CIVIL
FLA. PE # 70592
C.A.N. 3538

SEP 26 2011

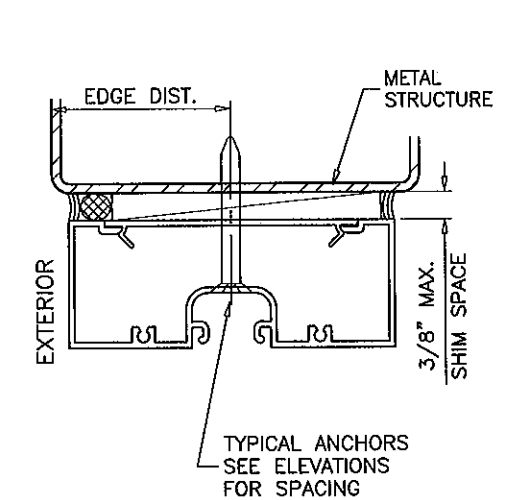
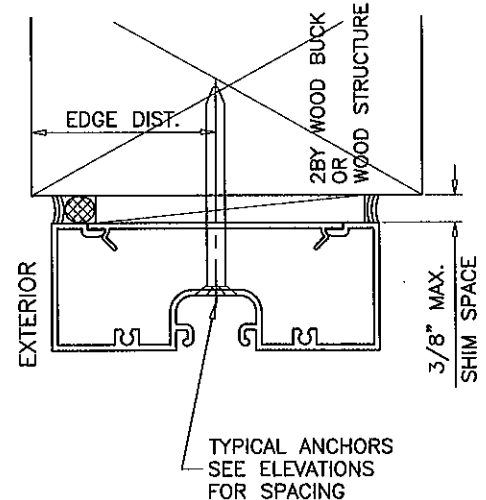
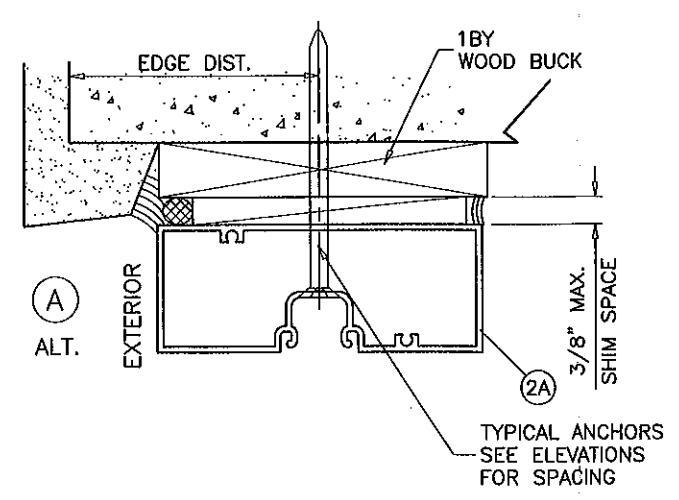
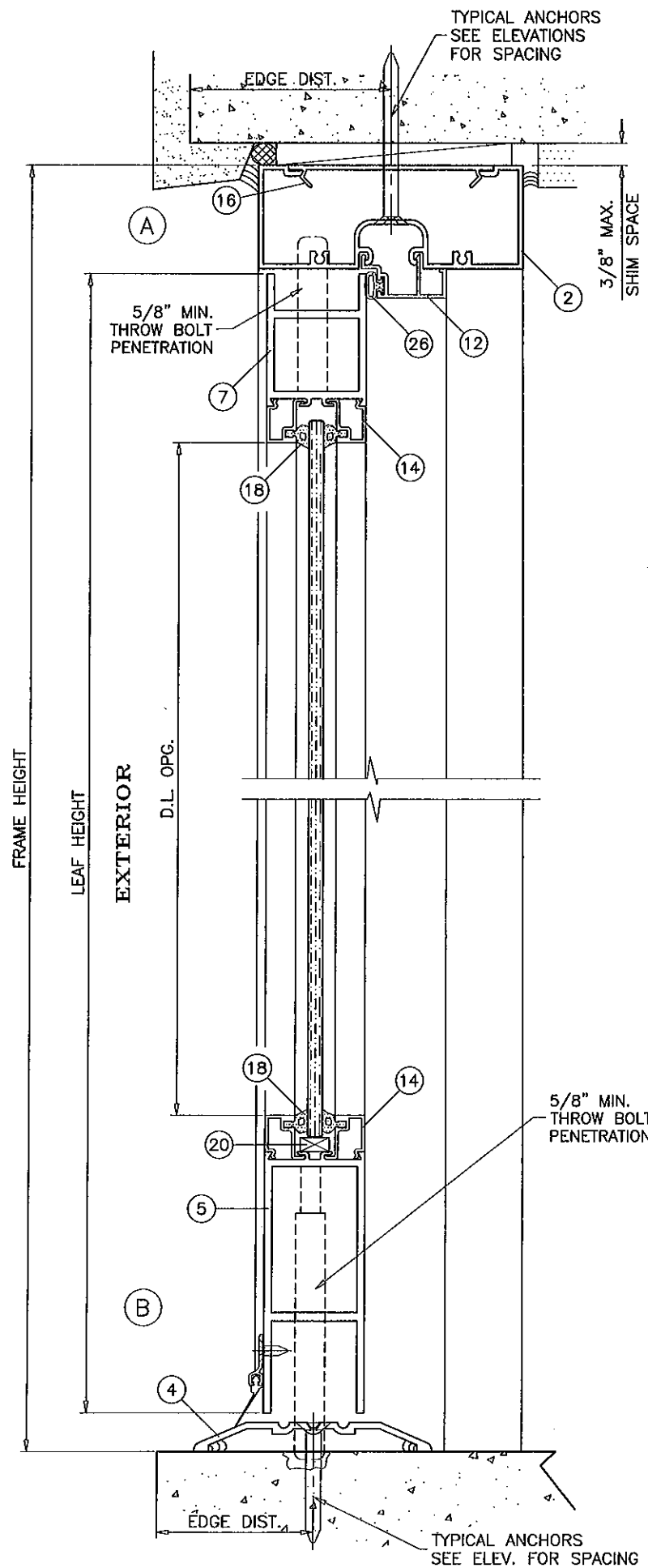
af c
AL-FAROOQ CORPORATION
ENGINEERS & PRODUCT DEVELOPMENT
1235 S.W. 87 AVE
MIAMI, FLORIDA 33174
TEL. (305) 264-8300 FAX. (305) 262-6978
COMP-ANL W11-06DD

DNS-20 ALUM OUT-SWING ENTRANCE DOOR (N.I.)
CRL IMPACT DOORS, INC
d/b/g DELTA DOORS
7500 N.W. 69TH AVE.
MIAMI, FL 33166
TEL (305) 888-0077 FAX. (305) 884-3111

NO.	DATE	DESCRIPTION	REV. PER BNC COMMENTS
A	06.07.11		
B	08.06.11		

date: 02-24-11
scale: 1/2"=1'-0"
dr. by: HAMID
chk. by:

drawing no.
W11-06
sheet 2 of 8



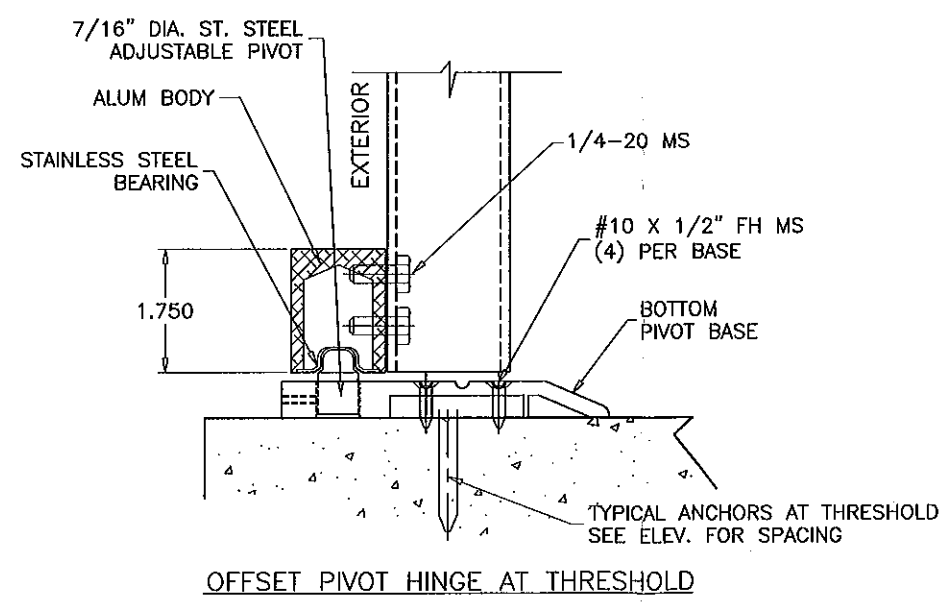
WOOD BUCKS AND METAL STRUCTURE NOT BY DELTA DOORS
MUST SUSTAIN LOADS IMPOSED BY GLAZING SYSTEM
AND TRANSFER THEM TO THE BUILDING STRUCTURE.

Approved as complying with the
Florida Building Code
Date: OCT 13, 2011
NOAR 11-0415-03
Miami Dade Product Control
By: *Ishag I. Chank*

- TYPICAL ANCHORS:** SEE ELEV. FOR SPACING
- TYPE 'A' - 1/4" DIA. ULTRACON BY 'ELCO' (Fu=177 KSI, Fy=155 KSI)
 INTO 2BY WOOD BUCKS OR WOOD STRUCTURES
 1-3/8" MIN. PENETRATION INTO WOOD
 THRU 1BY BUCKS INTO CONC. OR MASONRY
 1-1/4" MIN. EMBED INTO CONC. OR MASONRY
- TYPE 'B' - 1/4" DIA. ULTRACON BY 'ELCO' (Fu=177 KSI, Fy=155 KSI)
 DIRECTLY INTO CONC. OR MASONRY
 1-1/4" MIN. EMBED INTO CONC. OR MASONRY
- TYPE 'C' - 1/4" DIA. TEKS OR SELF DRILLING SCREWS (GRADE 5 CRS)
 INTO MIAMI-DADE COUNTY APPROVED MULLIONS (MIN. THK. = 1/8")
 INTO METAL STRUCTURES
 STEEL : 1/8" THK. MIN. (Fy = 36 KSI MIN.)
 ALUMINUM : 1/8" THK. MIN. (6063-T5 MIN.)
 (STEEL IN CONTACT WITH ALUMINUM TO BE PLATED OR PAINTED)

TYPICAL EDGE DISTANCE
 INTO CONCRETE AND MASONRY = 2-1/2" MIN.
 INTO WOOD STRUCTURE = 1" MIN.
 INTO METAL STRUCTURE = 3/4" MIN.

CONCRETE AT HEAD, SILL OR JAMBS f'c = 3000 PSI MIN.
 C-90 HOLLOW/FILLED BLOCK AT JAMBS f'm = 2000 PSI MIN.



Engr: JAVAD AHMAD
 CIVIL
 FLA. PE # 70592
 C.A.N. 3538

[Signature] SEP 26 2011

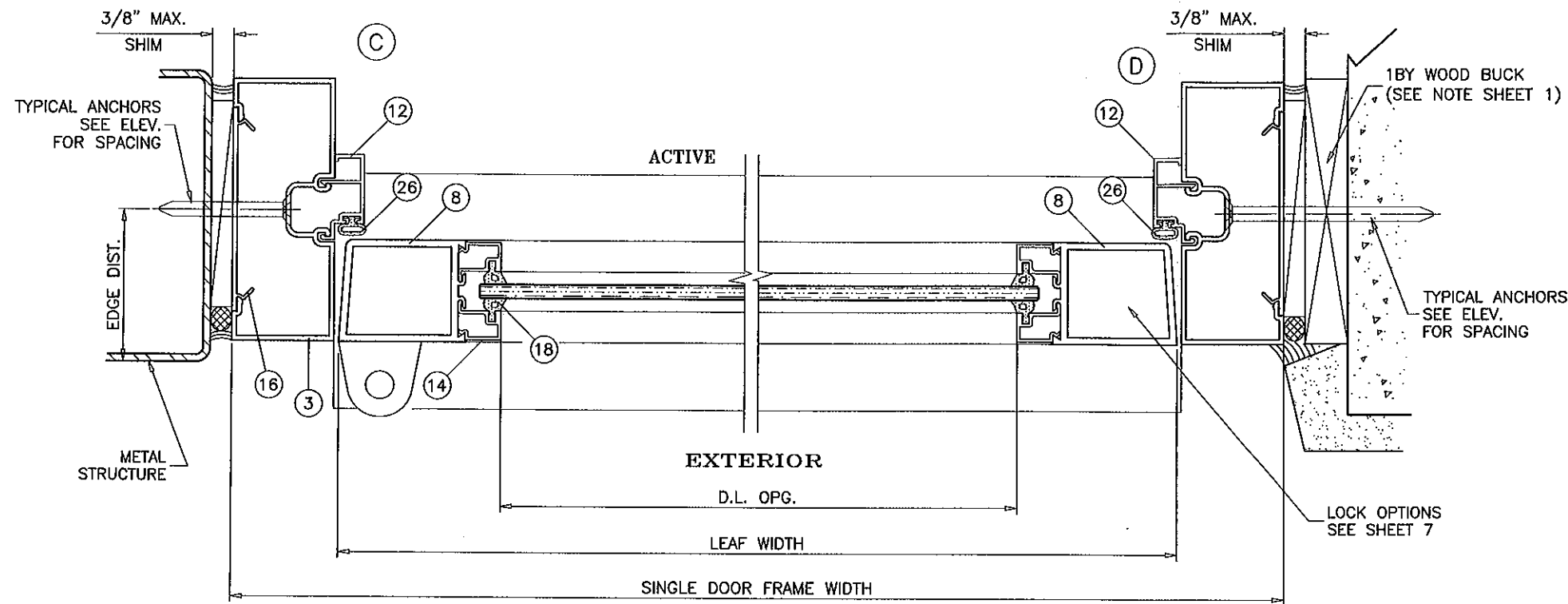
af c
AL-FAROOQ CORPORATION
 ENGINEERS & PRODUCT DEVELOPMENT
 1235 S.W. 87 AVE
 MIAMI, FLORIDA 33174
 TEL. (305) 264-8100 FAX. (305) 262-6978
 COMP-ANL W11-06DD

DNS-20 ALUM OUT-SWING ENTRANCE DOOR (N.I.)
 CRL IMPACT DOORS, INC
 d/b/a DELTA DOORS
 7500 N.W. 69TH AVE.
 MIAMI, FL 33166
 TEL. (305) 888-0077 FAX. (305) 884-3111

no	date	description	BY
A	06.07.11	REV. PER BNC COMMENTS	
B	09.06.11	REV. PER BNC COMMENTS	

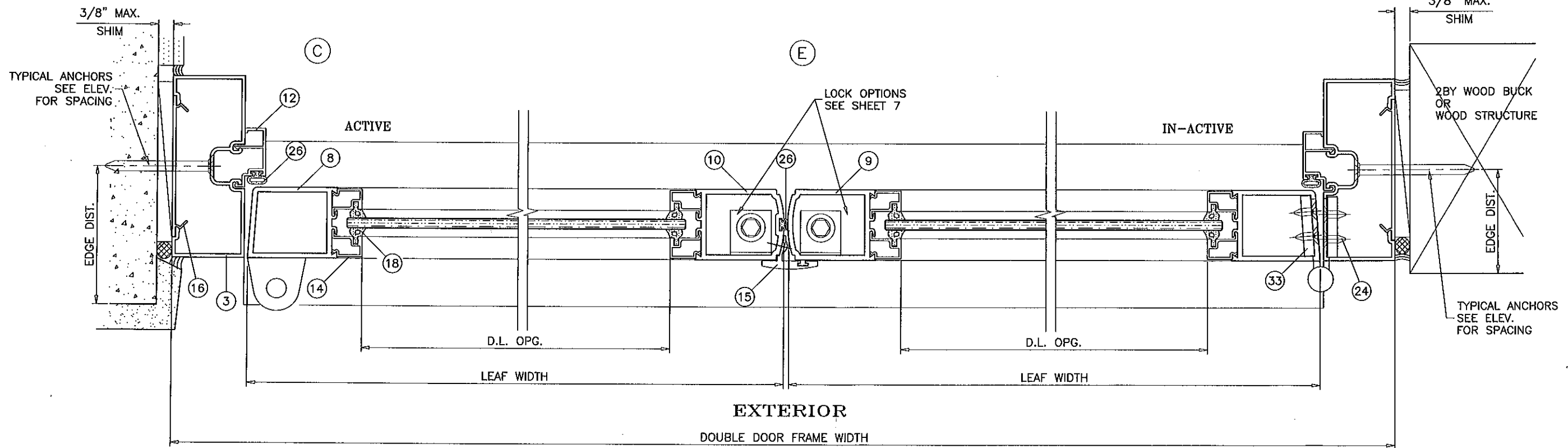
date: 02-24-11	scale: 3/8" = 1"
dr. by: HAMID	chk. by:

drawing no. **W11-06**
 sheet 3 of 8



LOCK OPTIONS
SEE SHEET 7

Approved as complying with the
Florida Building Code
Date OCT 13, 2011
NOAS 11-0415.03
Miami Code Product Control
My Ishaq / Chande



Engr: JAVAD AHMAD
CIVIL
FLA. PE # 70592
C.A.N. 3538

[Signature]
SEP 26 2011

DOOR DETAILS

afc

AL-FAROOQ CORPORATION
ENGINEERS & PRODUCT DEVELOPMENT
1235 S.W. 87 AVE
MIAMI, FLORIDA 33174
TEL. (305) 264-8100 FAX. (305) 262-6978
COMP-ANL\W11-06DD

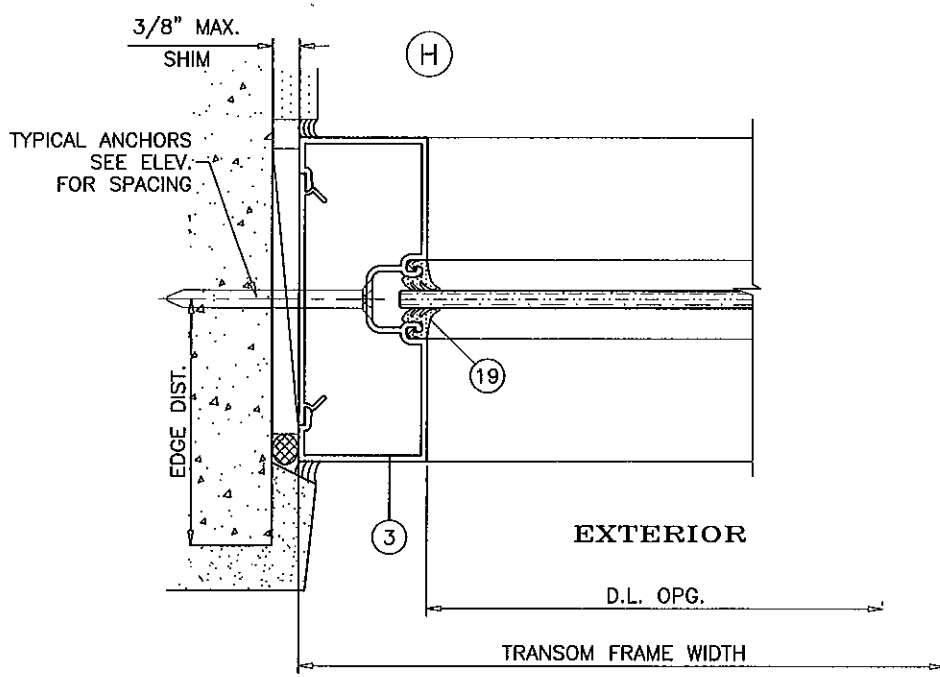
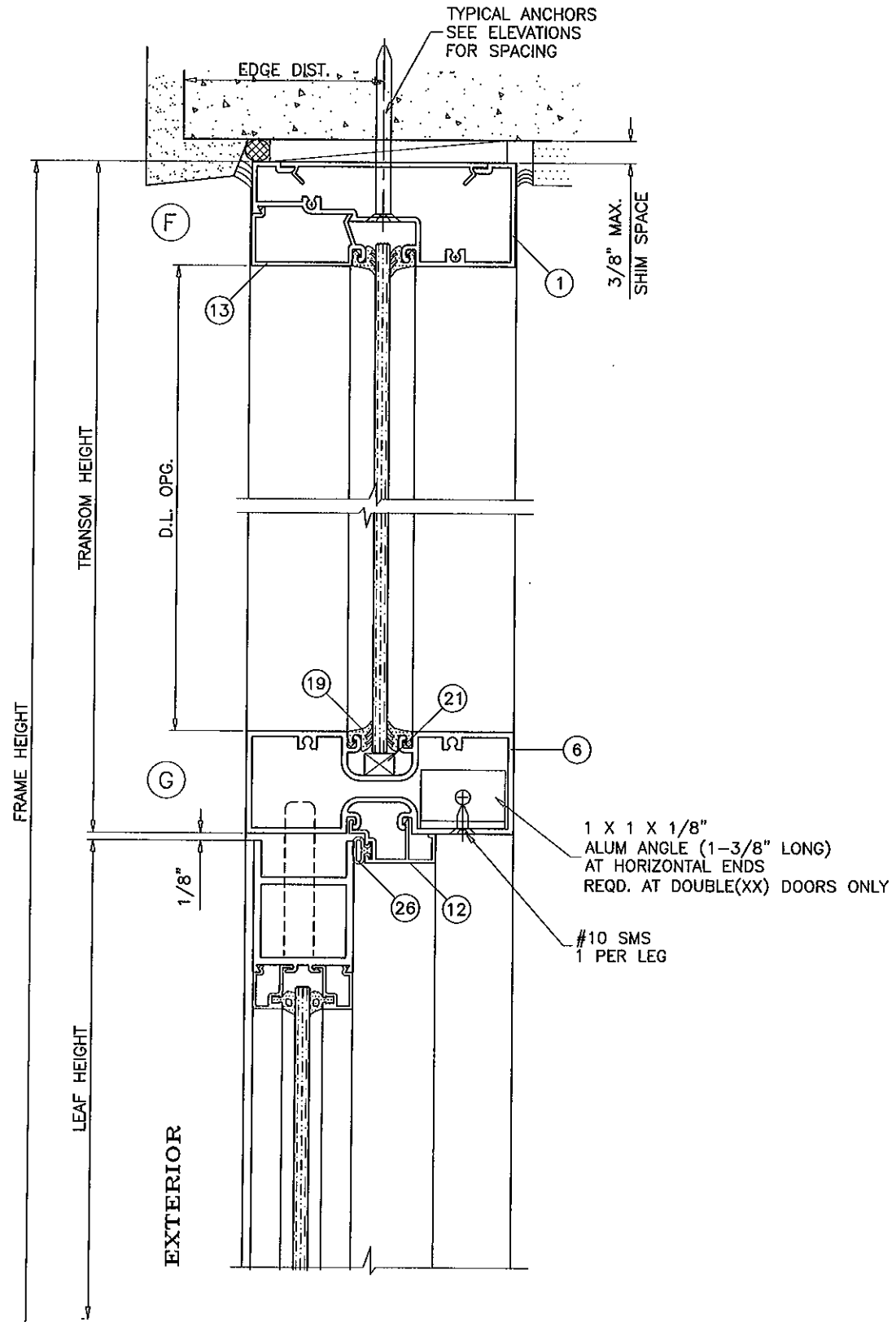
DNS-20 ALUM OUT-SWING ENTRANCE DOOR (N.I.)
CRL IMPACT DOORS, INC
d/b/a DELTA DOORS
7500 N.W. 69TH AVE.
MIAMI, FL 33166
TEL. (305) 888-0077 FAX. (305) 884-3111

no	date	description
A	06.07.11	REV. PER BNC COMMENTS
B	09.06.11	NO CHANGE THIS SHEET

date: 02-24-11
scale: 3/8" = 1"
dr. by: HAMID
chk. by:

drawing no.
W11-06

sheet 4 of 8



Approved as complying with the
Florida Building Code
Date: 02/13/2011
RCA# 11-041503
Miami Made Product Certified
By: *Shang L. Chan*

Engr: JAVAD AHMAD
CIVIL
FLA. PE # 70592
C.A.N. 3538

[Signature]
SEP 26 2011

TRANSOM DETAILS

afc
AL-FAROOQ CORPORATION
ENGINEERS & PRODUCT DEVELOPMENT
1235 S.W. 87 AVE
MIAMI, FLORIDA 33174
TEL (305) 264-8100 FAX (305) 262-6978
COMP-ANL W11-06DD

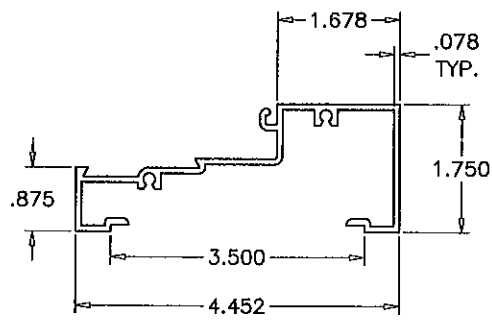
DNS-20 ALUM OUT-SWING ENTRANCE DOOR (N.I.)
CRL IMPACT DOORS, INC
d/b/a DELTA DOORS
7500 N.W. 69TH AVE.
MIAMI, FL 33166
TEL (305) 888-0077 FAX (305) 884-3111

revisions:

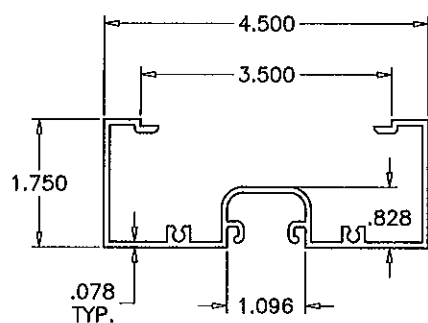
no	date	by	description
A	06.07.11		REV. PER BNC COMMENTS
B	09.06.11		REV. PER BNC COMMENTS

date: 02-24-11
scale: 3/8" = 1"
dr. by: HAMID
chk. by:

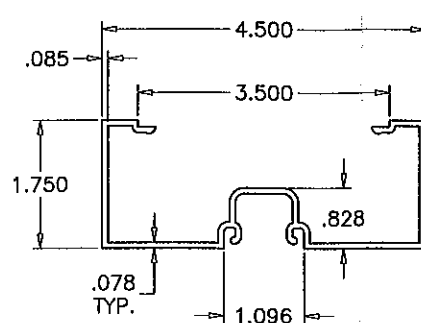
drawing no.
W11-06
sheet 5 of 8



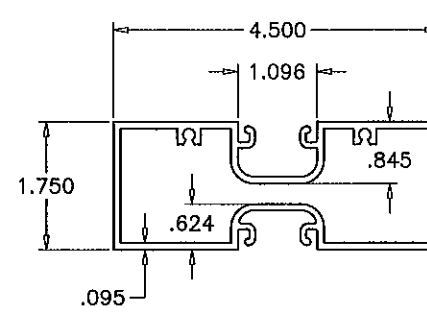
① TRANSOM HEAD



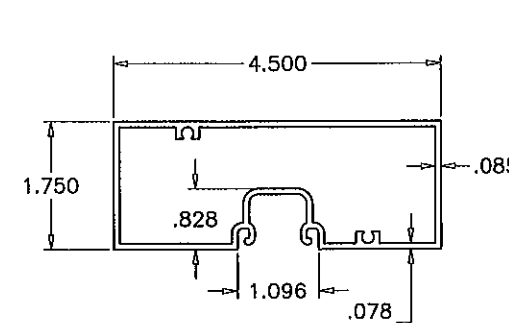
② FRAME HEAD



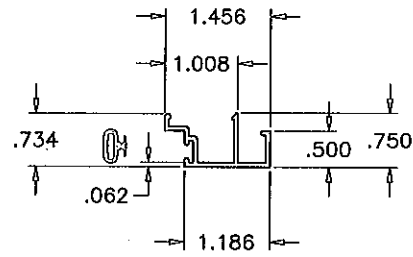
③ FRAME JAMB



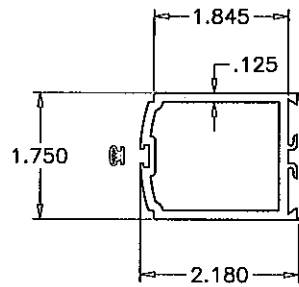
⑥ TRANSOM MULLION



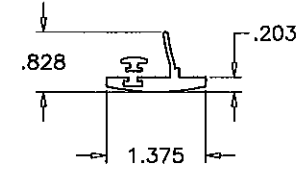
②A ALT. FRAME HEAD



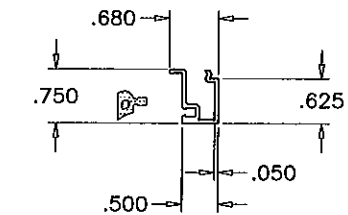
⑫ DOOR STOP



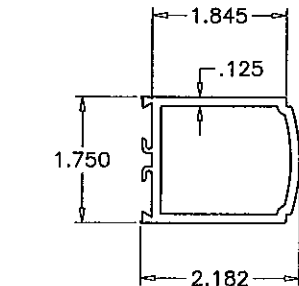
⑩ LOCK STILE



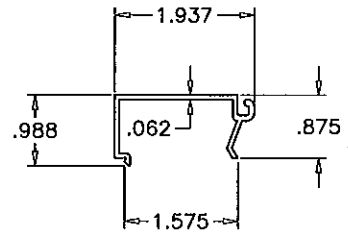
⑮ ASTRAGAL



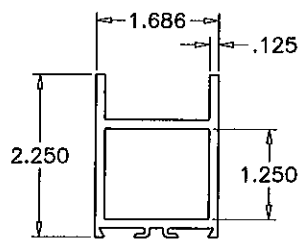
⑭ GLASS STOP



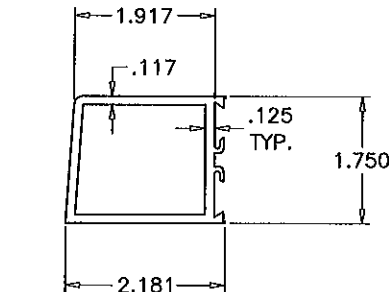
⑨ FIXED STILE



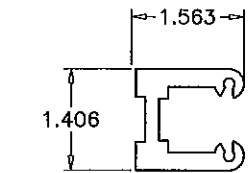
⑬ GLAZING STOP



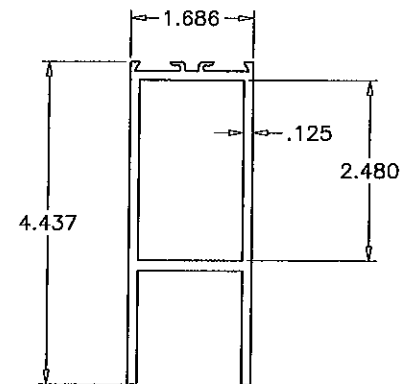
⑦ TOP RAIL



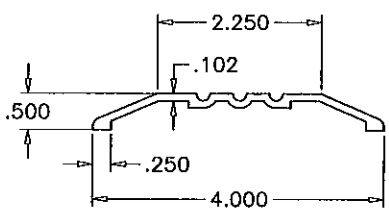
⑧ HINGE/PIVOT STILE



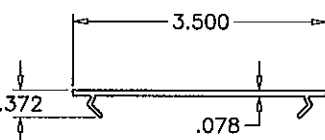
③③ SHEAR BLOCK



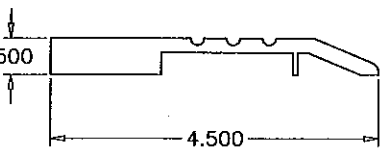
⑤ BOTTOM RAIL



④ THRESHOLD



⑮ ANCHOR PLATE



PIVOT BASE

Approved as complying with the
Florida Building Code
Date OCT 13, 2011
NOA# 11-0415-03
Miami Dade Product Control
By Ishaq I. Chaudhry

Engr: JAVAD AHMAD
CIVIL
FLA. PE # 70592
C.A.N. 3538

[Signature]

SEP 26 2011

af c
AL-FAROOQ CORPORATION
ENGINEERS & PRODUCT DEVELOPMENT
1235 S.W. 87 AVE
MIAMI, FLORIDA 33174
TEL. (305) 264-8100 FAX. (305) 262-6978
COMP-ANL W11-06DD

DNS-20 ALUM OUT-SWING ENTRANCE DOOR (N.I.)
CRL IMPACT DOORS, INC
d/b/a DELTA DOORS
7500 N.W. 69TH AVE.
MIAMI, FL 33166
TEL. (305) 888-0077 FAX. (305) 884-3111

NO	DATE	DESCRIPTION
A	06.07.11	REV. PER BNC COMMENTS
B	09.06.11	REV. PER BNC COMMENTS

date: 02-24-11
scale: 3/8" = 1"
dr. by: HAMID
chk. by:

drawing no.
W11-06
sheet 6 of 8

LOCK SINGLE DOORS:

THREE POINT LOCK REGENT SERIES #2222
THUMB TURN ON INTERIOR AND KEY OPERATED
ON EXTERIOR AT 44-1/2" FROM BOTTOM.

LOCK DOUBLE DOORS:

ACTIVE LEAF:

THREE POINT LOCK REGENT SERIES #2222
THUMB TURN ON INTERIOR AND KEY OPERATED
ON EXTERIOR AT 44-1/2" FROM BOTTOM.

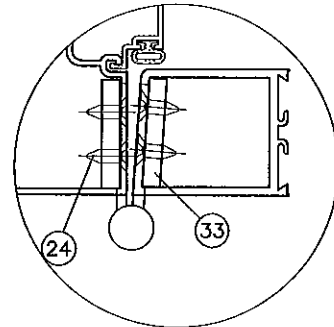
INACTIVE LEAF

MANUALLY OPERATED FLUSH BOLTS REGENT #2502
WITH 3/8" DIA. BOLTS AT 12" FROM TOP AND BOTTOM

HINGES:

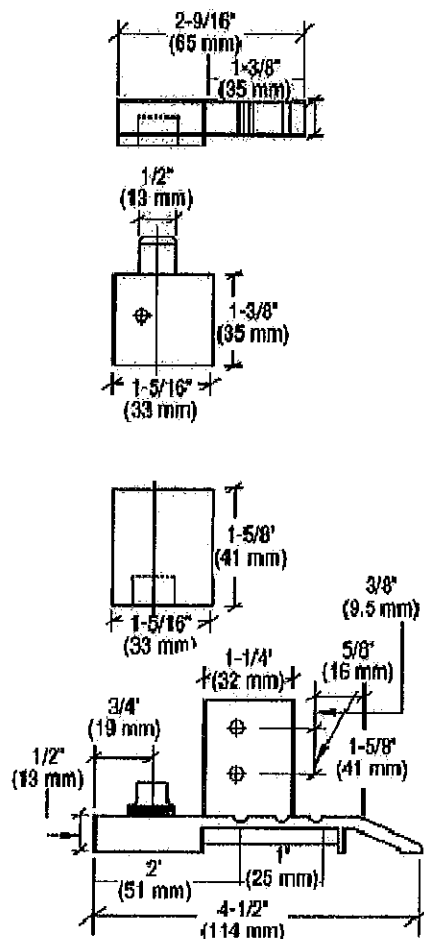
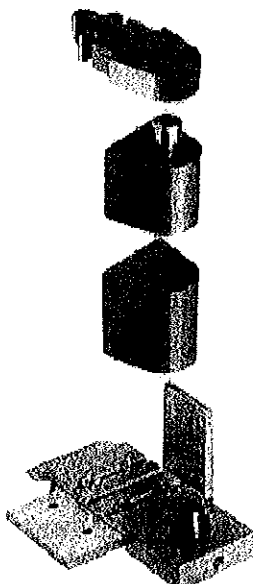
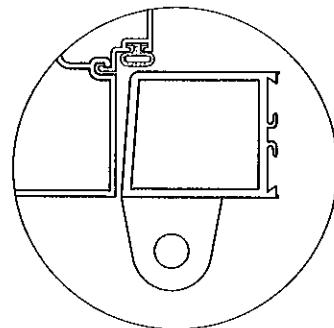
OPTION #1:

4-1/2 X 4" X .134" THK. TWO PIECE STAINLESS STEEL BUTT
HINGES BY HAGER (2) AT 8" FROM TOP AND BOTTOM
(1) AT MIDSPAN OF LEAF AS REQD.



OPTION #2:

CAST ALUMINUM PIVOT HINGES BY REGENT
(2) AT TOP AND BOTTOM
(1) AT MIDSPAN OF LEAF AS REQD.



PIVOT HINGE

ITEM #	PART #	QUANTITY	DESCRIPTION	MATERIAL	MANF./SUPPLIER/REMARKS
1	BCE-5457	1	TRANSOM HEAD	6063-T6	-
2	BCE-5451	1	FRAME HEAD	6063-T6	-
2A	BCE-5433	1	ALT. FRAME HEAD	6063-T6	-
3	BCE-5450	2	OPEN BACK JAMB	6063-T6	-
4	BCE-3340	1	THRESHOLD	6063-T6	-
5	DLD-33	1/ LEAF	BOTTOM RAIL	6063-T6	-
6	BCE-452	AS REQD.	TRANSOM MULLION	6063-T6	-
7	DLD-32	1/ LEAF	TOP RAIL	6063-T6	-
8	DLD-1	AS REQD.	HINGE OR PIVOT STILE	6063-T6	-
9	DLD-2	1/ LEAF	FIX STILE (INACTIVE PANEL)	6063-T6	-
10	DLD-10	1/ LEAF	LOCK STILE (ACTIVE PANEL)	6063-T6	-
12	BCE-460	AS REQD.	DOOR STOP	6063-T6	-
13	BCE-459	AS REQD.	GLAZING STOP	6063-T6	-
14	DLD-6	AS REQD.	GLASS STOP	6063-T6	-
15	-	1/ DOOR	ASTRAGAL FOR XX ONLY	6063-T6	-
16	BCE-475	AS REQD.	ANCHOR PLATE, 3" LONG AT ANCHORS	6063-T6	-
18	-	AS REQD.	GASKET, BULB DUROMETER 67, BASE DUROMETER 90	SANTOPRENE	-
19	2546B	AS REQD.	GLAZING GASKET, DUROMETER 65±5	SOFT PVC	MELTPOINT PLASTICS
20	-	2/ LITE	SETTING BLOCK (DOOR), DUROMETER 90±5	EPDM	1/4" X 1/2" X 1" LONG
21	-	2/ LITE	SETTING BLOCK (TRANSOM), DUROMETER 90±5	EPDM	7/16" X 3/4" X 1-7/8" LONG
23	#10 X 1"	AS REQD.	FRAME ASSEMBLY SCREWS	-	P.H. SMS
24	12-24 X 1/2"	4/ HASP	HINGE INSTALLATION SCREWS	-	F.H. MACHINE SCREWS
26	BW-76	-	BULB W'STRIPPING, DUROMETER 70±5	VINYL	.444"H X .280 T-SLOT
27	T4216-K	-	PILE WITH FIN WEATHERSTRIPPING	-	ULTRAFAB
29	DH-4	-	SHEAR BLOCK	6063-T6	-
30	-	2	3 X 2 X 1/8" ANGLE, 1-3/4" LONG	ALUMINUM	-
32	-	2/ LEAF	FLUSH BOLT GUIDE CHANNEL	STEEL	3" LONG
33	-	2/ HINGE	HINGE REINFORCING PLATES	STEEL	1-1/2" X 1/4" X 8" LONG

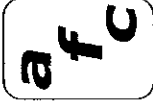
SEALANTS:

FRAME CORNERS, ASSEMBLY SCREWS AND HEADS OF
ANCHOR SCREWS AT SILL TO BE SEALED WITH SEALER.
LEAF JOINTS SEALED WITH SILICONE.

Approved as complying with the
Florida Building Code
Date OCT 13, 2011
NOA# 11-0415-03
Miami Code Product Control
By Shaq I. Chavira

Engr: JAVAD AHMAD
CIVIL
FLA. PE # 70592
C.A.N. 3538

SEP 26 2011



AL-FAROOQ CORPORATION
ENGINEERS & PRODUCT DEVELOPMENT
1235 S.W. 87 AVE
MIAMI, FLORIDA 33174
TEL. (305) 264-8100 FAX. (305) 262-6978

DNS-20 ALUM OUT-SWING ENTRANCE DOOR (N.I.)

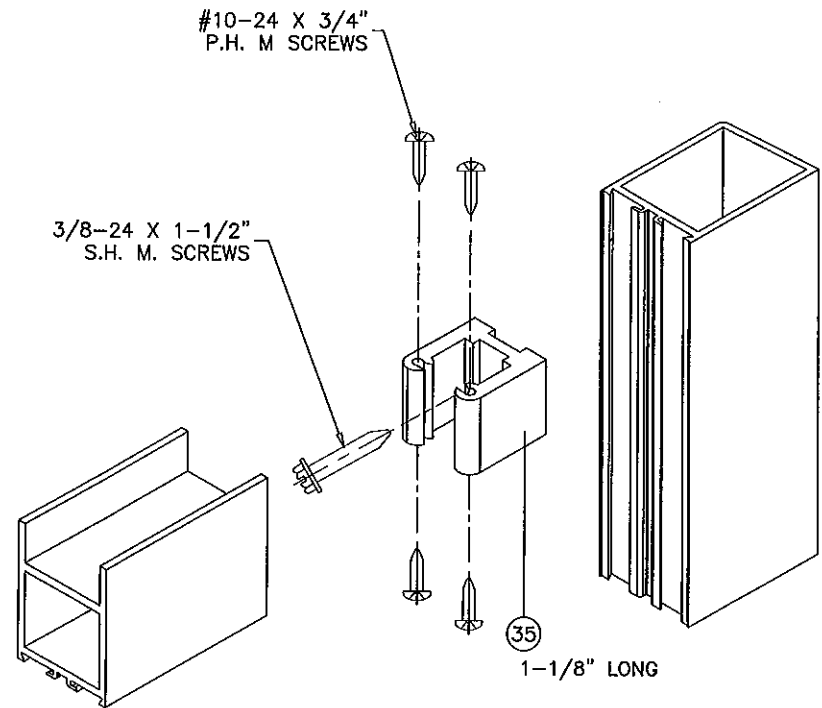
CRL IMPACT DOORS, INC
c/b/o DELTA DOORS
7500 N.W. 69TH AVE.
MIAMI, FL 33166
TEL. (305) 888-0077 FAX. (305) 884-3111

no	date	description
A	06.07.11	REV. PER BNC COMMENTS
B	06.06.11	REV. PER BNC COMMENTS

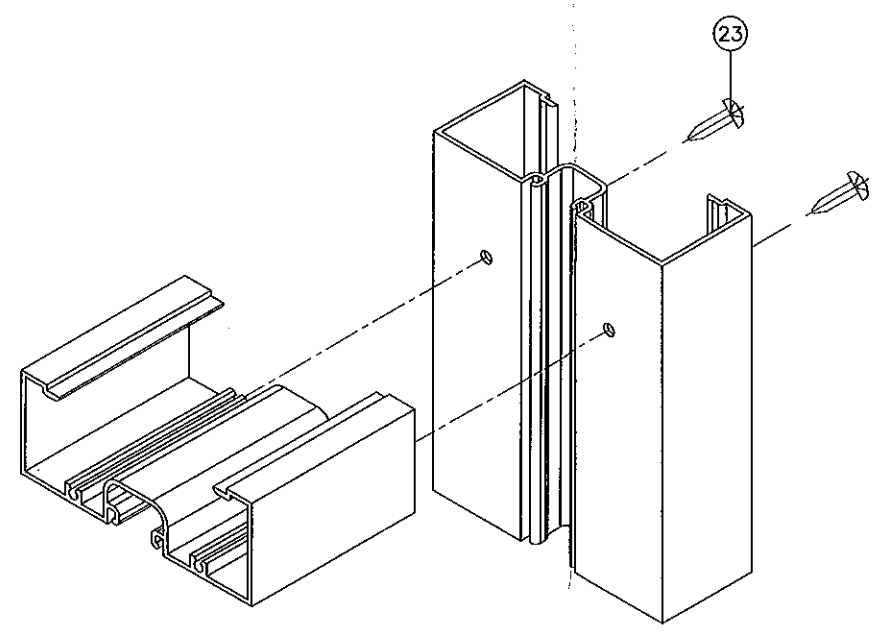
date: 02-24-11
scale: 3/8" = 1"
dr. by: HAMID
chk. by:

drawing no.
W11-06
sheet 7 of 8

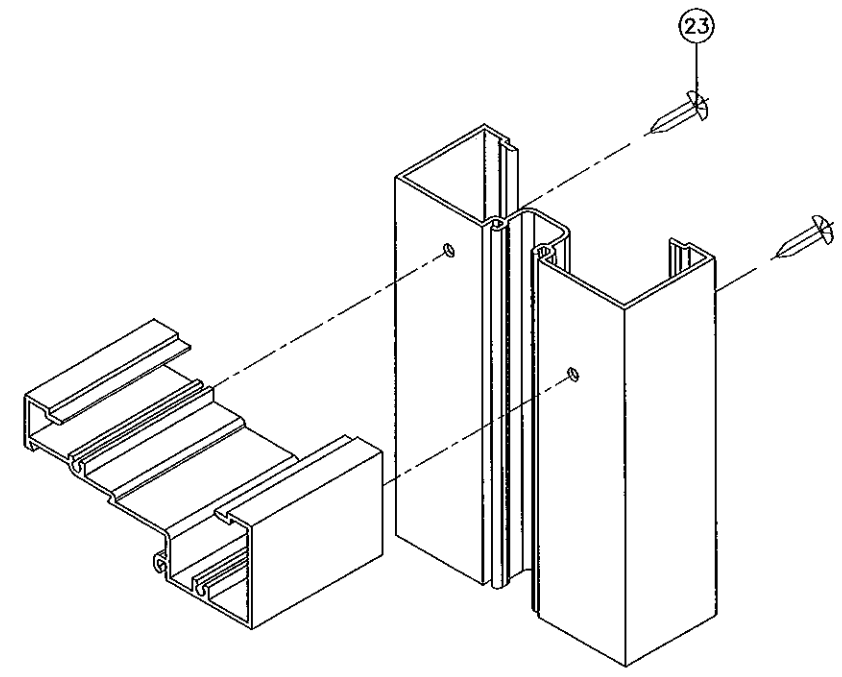
COMP-ANL\W11-06DD



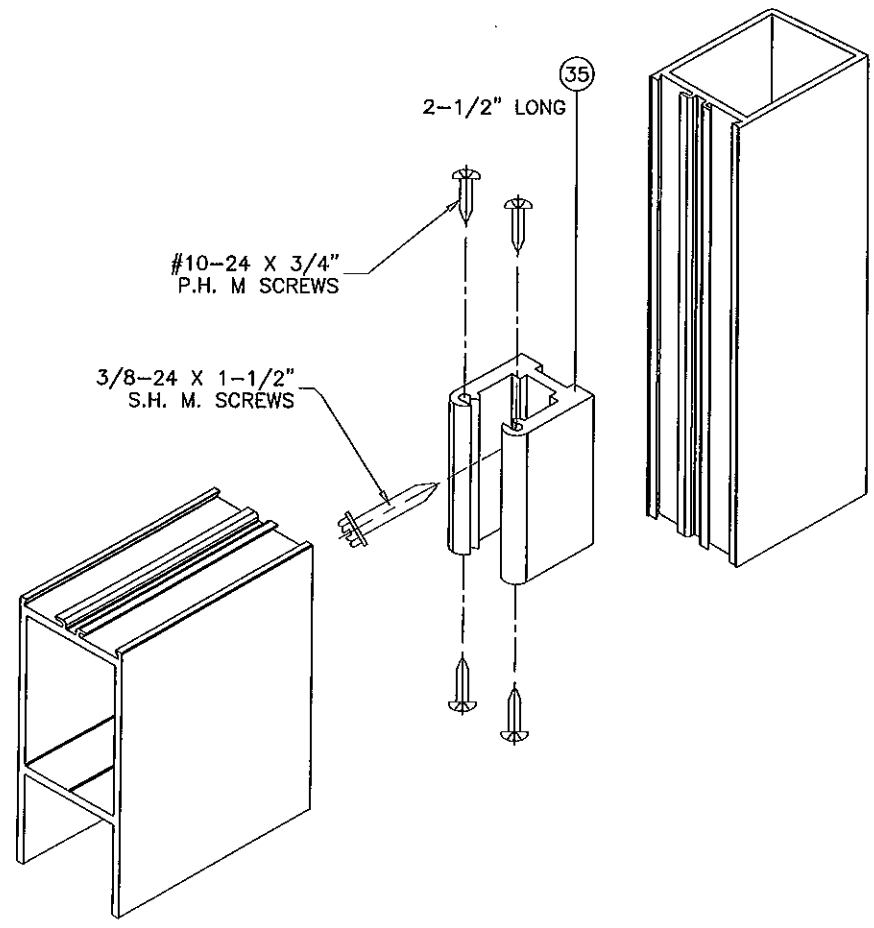
DOOR LEAF UPPER CORNER



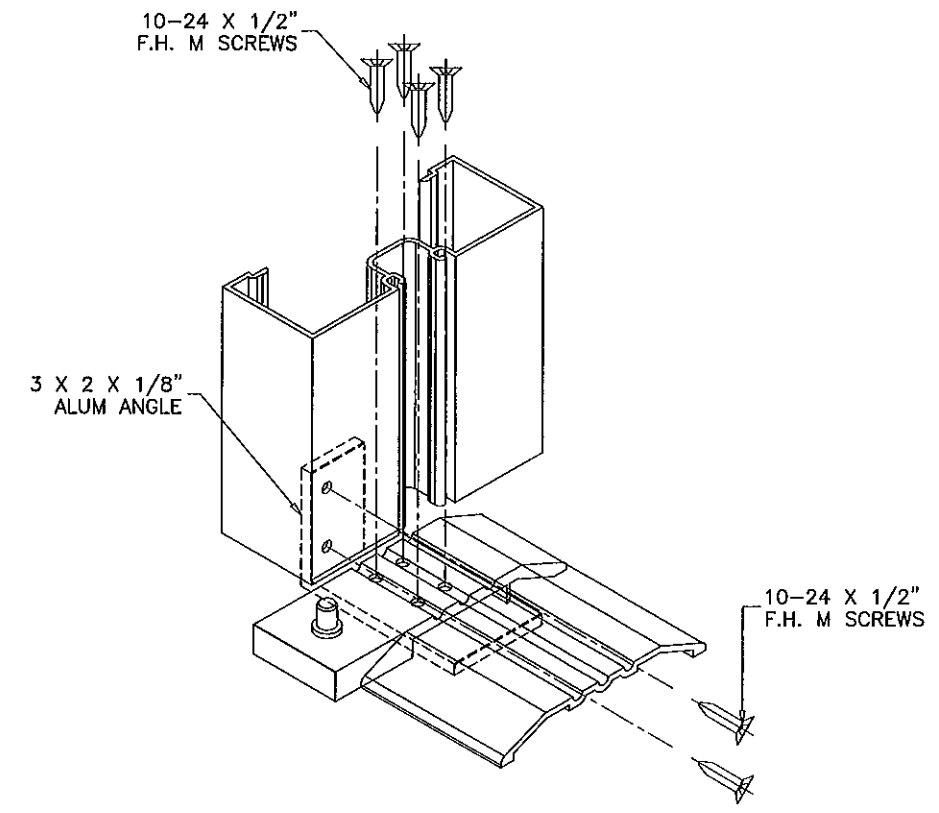
FRAME TOP CORNER



TRANSOM CORNER



DOOR LEAF LOWER CORNER



FRAME LOWER CORNER

Approved as complying with the
Florida Building Code
Date: 02/13/2011
NOA# 11-0415.03
Miami Dade Product Control
By Ishag I. Chanda

Engr: JAVAD AHMAD
CIVIL
FLA. P.E. # 70592
C.A.N. 3538

SEP 26 2011

afc
AL-FAROOQ CORPORATION
ENGINEERS & PRODUCT DEVELOPMENT
1235 S.W. 87 AVE
MIAMI, FLORIDA 33174
TEL. (305) 264-8100 FAX. (305) 262-6978
COMP-ANL\W11-06DD

DNS-20 ALUM OUT-SWING ENTRANCE DOOR (N.I.)
CRL IMPACT DOORS, INC
d/b/a DELTA DOORS
7500 N.W. 69TH AVE.
MIAMI, FL 33166
TEL. (305) 888-0077 FAX. (305) 884-3111

no	date	by	description
A	06.07.11	REV. PER	BNC COMMENTS
B	09.06.11	REV. PER	BNC COMMENTS

date: 02-24-11
scale: 3/8" = 1"
dr. by: HAMID
chk. by:

drawing no.
W11-06
sheet 8 of 8