



BUILDING AND NEIGHBORHOOD COMPLIANCE DEPARTMENT (BNC)  
BOARD AND CODE ADMINISTRATION DIVISION

MIAMI-DADE COUNTY, FLORIDA  
PRODUCT CONTROL SECTION  
11805 SW 26<sup>th</sup> Street, Room 208  
Miami, Florida 33175-2474  
T (786) 315-2590 F (786) 315-2599

**NOTICE OF ACCEPTANCE (NOA)**

[www.miamidade.gov/building](http://www.miamidade.gov/building)

**Kawneer Company, Inc.**  
**555 Guthridge Court**  
**Norcross, GA 30092**

**SCOPE:**

This NOA is being issued under the applicable rules and regulations governing the use of construction materials. The documentation submitted has been reviewed and accepted by Miami-Dade County BNC-Product Control Section to be used in Miami-Dade County and other areas where allowed by the Authority Having Jurisdiction (AHJ).

This NOA shall not be valid after the expiration date stated below. The Miami-Dade County Product Control Section (In Miami-Dade County) and/or the AHJ (in areas other than Miami-Dade County) reserve the right to have this product or material tested for quality assurance purposes. If this product or material fails to perform in the accepted manner, the manufacturer will incur the expense of such testing and the AHJ may immediately revoke, modify, or suspend the use of such product or material within their jurisdiction. BNC reserves the right to revoke this acceptance, if it is determined by Miami-Dade County Product Control Section that this product or material fails to meet the requirements of the applicable building code.

This product is approved as described herein, and has been designed to comply with the Florida Building Code, including the High Velocity Hurricane Zone.

**DESCRIPTION: Series "8400TL" Aluminum Horizontal Slider Window – L.M.I.**

**APPROVAL DOCUMENT:** Drawing No. 1756, series titled "8400TL Sliding Glass Window (Large Missile Impact)", sheets 1 through 7 of 7, dated 06/13/2011 with the latest revision, dated 09/21/2011, prepared by W. W. Schaefer Engineering & Consulting, P. A., signed and sealed by Warren W. Schaefer, P. E., bearing the Miami-Dade County Product Control Approval stamp with the Notice of Acceptance number and Approval date by the Miami-Dade County Product Control Section.

**MISSILE IMPACT RATING: Large Missile Impact Resistant.**

**LABELING:** Each unit shall bear a permanent label with the manufacturer's name or logo, city, state, model/series and following statement: "Miami-Dade County Product Control Approved" unless otherwise noted herein.

**RENEWAL** of this NOA shall be considered after a renewal application has been filed and there has been no change in the applicable building code negatively affecting the performance of this product.

**TERMINATION** of this NOA will occur after the expiration date or if there has been a revision or change in the materials, use, and/or manufacture of the product or process. Misuse of this NOA as an endorsement of any product, for sales, advertising or any other purposes shall automatically terminate this NOA. Failure to comply with any section of this NOA shall be cause for termination and removal of NOA.

**ADVERTISEMENT:** The NOA number preceded by the words Miami-Dade County, Florida, and followed by the expiration date may be displayed in advertising literature. If any portion of the NOA is displayed, then it shall be done in its entirety.

**INSPECTION:** A copy of this entire NOA shall be provided to the user by the manufacturer or its distributors and shall be available for inspection at the job site at the request of the Building Official.

This NOA consists of this page 1, evidence pages E-1 and E-2, as well as approval document mentioned above.

The submitted documentation was reviewed by **Jaime D. Gascon, P. E.**



*J Gascon*  
*10/4/11*

NOA No. 11-0705.11  
Expiration Date: October 06, 2016  
Approval Date: October 06, 2011  
Page 1

**NOTICE OF ACCEPTANCE: EVIDENCE SUBMITTED**

**A. DRAWINGS**

1. Manufacturer's die drawings and sections.
2. Drawing No 1756, series titled "8400TL Sliding Glass Window (Large Missile Impact)", sheets 1 through 7 of 7, dated 06/13/2011 with the latest revision, dated 09/23/2011, prepared by W. W. Schaefer Engineering & Consulting, P. A., signed and sealed by Warren W. Schaefer, P. E.

**B. TESTS**

1. Test reports on:
  - 1) Air Infiltration Test, per FBC, TAS 202-94
  - 2) Uniform Static Air Pressure Test, Loading per FBC TAS 202-94
  - 3) Water Resistance Test, per FBC, TAS 202-94
  - 4) Large Missile Impact Test per FBC, TAS 201-94
  - 5) Cyclic Wind Pressure Loading per FBC, TAS 203-94
  - 6) Forced Entry Test, Type "A" horizontal sliding window, Grade 10, per FBC 2411 3.2.1, TAS 202-94 and per ASTM F 588-04along with marked-up drawings and installation diagram of horizontal sliding window, prepared by Hurricane Test Laboratory, LLC, Test Report No. **HTL G049-0801-10**, dated 06/15/11, signed and sealed by Vinu J. Abraham, P. E.

**C. CALCULATIONS**

1. Anchor verification calculations and structural analysis, complying with FBC-2007, prepared by W. W. Schaefer Engineering & Consulting, P. A., dated 06/21/2011, signed, sealed and dated 09/21/2011 by Warren W. Schaefer, P. E.  
**Complies with ASTM E1300-04**

**D. QUALITY ASSURANCE**

1. Miami-Dade Building and Neighborhood Compliance Department (BNC).

**E. MATERIAL CERTIFICATIONS**

1. Notice of Acceptance No. **11-0624.02** issued to E.I. DuPont DeNemours & Co., Inc. for their "**DuPont Sentry Glass® Interlayer**" dated 05/26/10, expiring on 01/14/12.
2. Notice of Acceptance No. **11-0325.05** issued to Solutia Inc. for their "**Saflex and Vanceva clear and color interlayers**" dated 05/05/11, expiring on 05/21/16.
3. Notice of Acceptance No. **08-0206.01** issued to Solutia Inc. for their "**Saflex HP Glass Interlayer**" dated 04/17/2008, expiring on 04/17/2013.
18. TREMCO Part No. **TR-14271E** EPDM exterior glazing gasket complying with ASTM C864 Option II exceptions, ASTM D412 1600 PSI, D395B 22 HRS 158°F.



**Jaime D. Gascon, P. E.**  
**Product Control Section Supervisor**  
**NOA No. 11-0705.11**  
**Expiration Date: October 06, 2016**  
**Approval Date: October 06, 2011**

**NOTICE OF ACCEPTANCE: EVIDENCE SUBMITTED**

**F. STATEMENTS**

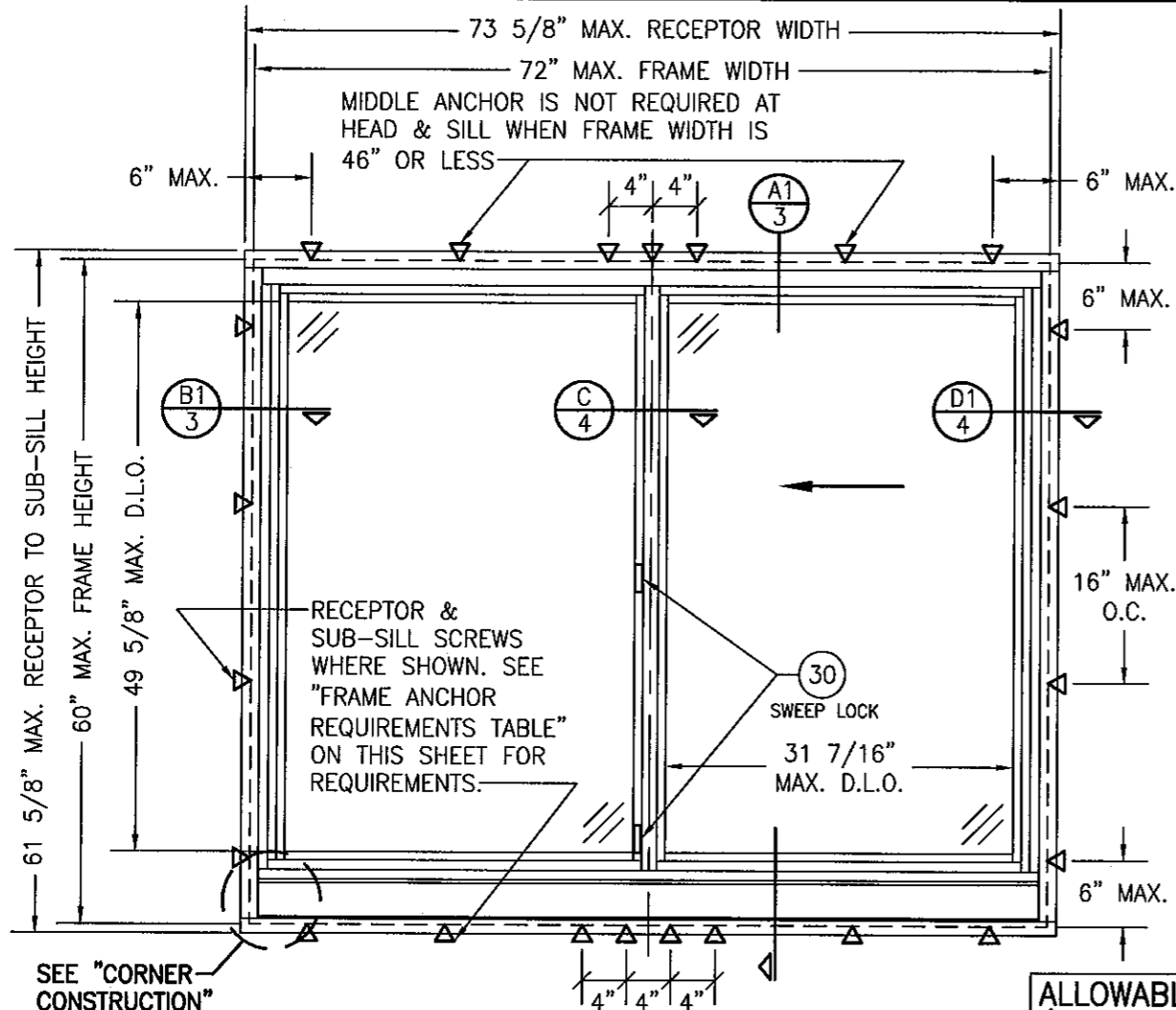
1. Statement letter of conformance and compliance with the FBC-2010, dated September 21, 2011, signed and sealed by Warren W. Schaefer, P. E.
2. Statement letters of independence, no financial interest, conformance and compliance with the FBC-2007, dated June 29, 2011, all signed and sealed by Warren W. Schaefer, P. E.
3. Laboratory compliance letter for Test Report No. **HTL G049-0801-10**, issued by Hurricane Test Laboratory, LLC, dated June 15, 2011, signed and sealed by Vinu J. Abraham, P. E.

**G. OTHERS**

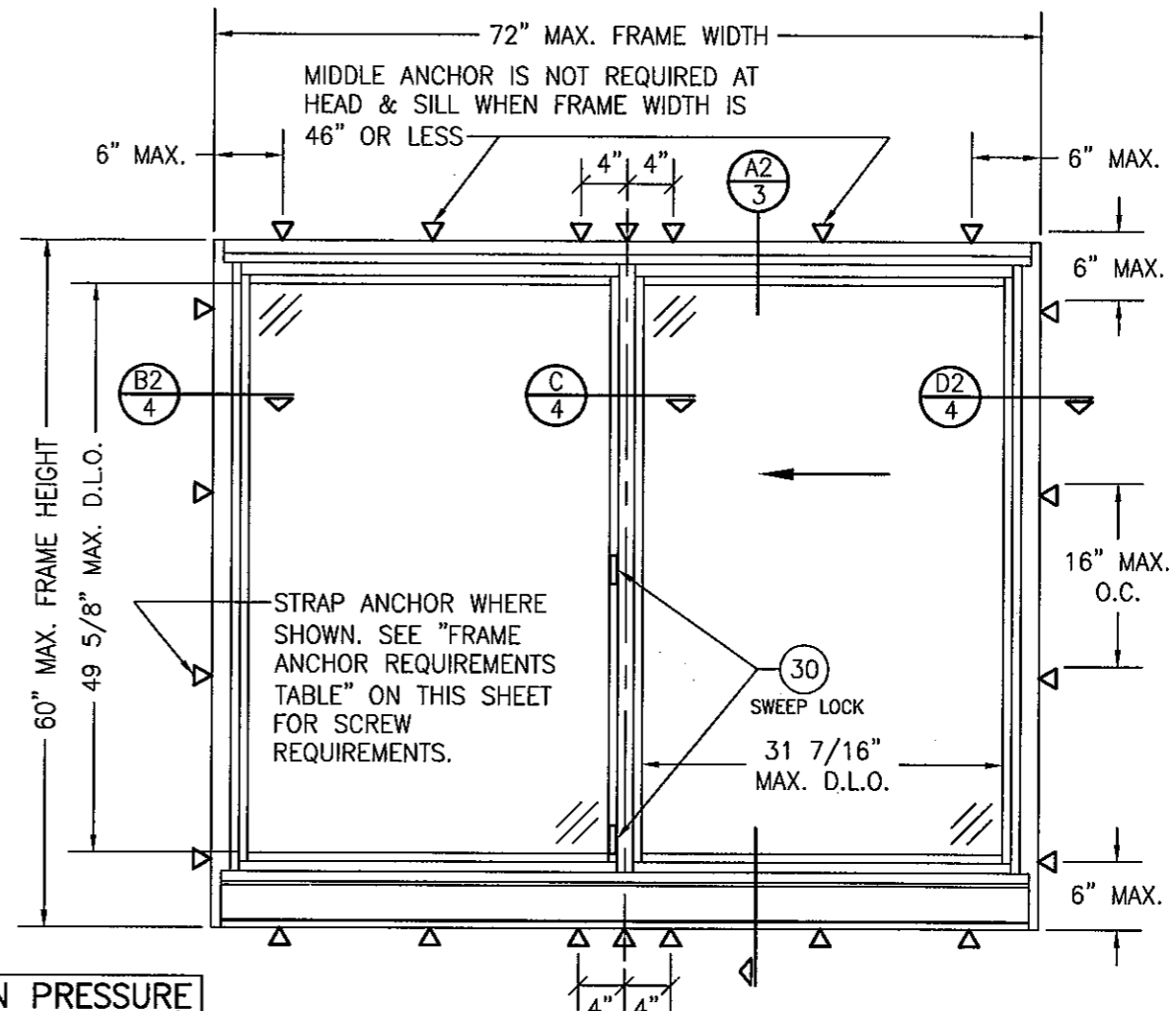
1. None.



**Jaime D. Gascon, P. E.**  
**Product Control Section Supervisor**  
**NOA No. 11-0705.11**  
**Expiration Date: October 06, 2016**  
**Approval Date: October 06, 2011**



**EXTERIOR ELEVATION:  
INDIVIDUAL WINDOW  
(RECEPTOR MOUNT CONDITION)**  
SCALE: 3/4" = 1'-0"  
(OX SHOWN, XO ALSO APPLIES)



**EXTERIOR ELEVATION:  
INDIVIDUAL WINDOW  
(STRAP ANCHOR MOUNT CONDITION)**  
SCALE: 3/4" = 1'-0"  
(OX SHOWN, XO ALSO APPLIES)

**ALLOWABLE DESIGN PRESSURE  
(SINGLE & MULLED WINDOWS)**  
+/-90 PSF

**CORNER CONSTRUCTION:**

**FRAME HEAD:** VERTICAL MEMBERS ARE COPED, BUTTED AND JOINED TO THE HEAD MEMBER WITH 2 NO. 8 X 1 1/4" PH TORX FASTENERS AND SEALED WITH TREMCO-TREMSIL 600 SEALANT.  
**FRAME SILL:** VERTICAL MEMBERS ARE COPED, BUTTED AND JOINED TO THE SILL MEMBER WITH 4 NO. 8 X 1 1/4" PH TORX FASTENERS AND SEALED WITH TREMCO-TREMSIL 600 SEALANT.  
**SASH:** VERTICAL MEMBERS ARE NOTCHED WHILE THE HORIZONTAL MEMBERS ARE SQUARE CUT, JOINED TO THE VERTICAL MEMBERS WITH A SASH CAM & 2 NO. 8 X 1 1/4" PH TORX FASTENERS AND SEALED WITH TREMCO-TREMSIL 600 SEALANT.

**GENERAL NOTES:**

- THESE WINDOW SYSTEMS HAVE BEEN TESTED, ANALYZED & APPROVED FOR DESIGN PRESSURES NOT TO EXCEED THOSE SHOWN IN THE "ALLOWABLE DESIGN PRESSURE TABLE(S)".
- OPENINGS, BUCKING & BUCKING FASTENERS MUST BE PROPERLY DESIGNED & INSTALLED TO TRANSFER WIND LOADS TO THE STRUCTURE.
- ALL HARDWARE & FASTENERS SHALL BE IN ACCORDANCE WITH THESE DRAWINGS & SHALL NOT VARY UNLESS SPECIFICALLY MENTIONED ON THE DRAWINGS. SPECIFIED ANCHOR EMBED TO BASE MATERIAL SHALL BE BEYOND WALL FINISH OR STUCCO.
- THE DETAILS & SPECIFICATIONS SHOWN HEREIN REPRESENT THE PRODUCTS TESTED & PROPOSED FOR WATER, AIR, IMPACT, CYCLIC & UNIFORM STATIC AIR PRESSURE TESTING IN CONFORMANCE WITH THE FLORIDA BUILDING CODE PROTOCOLS TAS-201, 202 & 203 FOR LARGE MISSILE IMPACT WINDOWS.
- THESE WINDOW SYSTEMS HAVE BEEN DESIGNED IN ACCORDANCE WITH AND MEET THE REQUIREMENTS OF THE FLORIDA BUILDING CODE (FBC) INCLUDING HIGH VELOCITY HURRICANE ZONES (HVHZ).
- IMPACT SHUTTERS ARE NOT REQUIRED WITH THESE WINDOWS.
- ALL ANCHORS SECURING WINDOW FRAME TO PRESSURE TREATED BUCKS OR WOOD FRAMING SHALL BE CAPABLE OF RESISTING CORROSION CAUSED BY THE PRESSURE TREATING CHEMICALS IN THE WOOD.
- DETERMINE THE POSITIVE & NEGATIVE DESIGN LOADS TO USE WHEN REFERENCING THESE DOCUMENTS WITH THE GOVERNING CODE AND GOVERNING WIND VELOCITY. FOR WIND LOAD CALCULATIONS IN ACCORDANCE WITH THE FLORIDA BUILDING CODE, A DIRECTIONALITY FACTOR OF  $K_d = 0.85$  MAY BE APPLIED PER THE ASCE-7 STANDARD.
- NO INCREASE IN ALLOWABLE STRESS HAS BEEN USED IN THE CERTIFICATION OF THIS PRODUCT. WIND LOAD DURATION FACTOR  $C_d = 1.6$  WAS USED FOR WOOD SCREW ANALYSIS ONLY.
- MATERIALS, INCLUDING BUT NOT LIMITED TO STEEL SCREWS, THAT COME INTO CONTACT WITH OTHER DISSIMILAR MATERIALS SHALL MEET THE REQUIREMENTS OF FLORIDA BUILDING CODE CHAPTER 20.

Approved as complying with the  
Florida Building Code  
Date 10/06/2011  
NOA# 11-0705.11  
Miami Dade Product Control  
By *[Signature]*

**ANCHOR REQUIREMENTS TABLE**

OPENING TYPE (SUBSTRATE)	FRAME TO OPENING FASTENER TYPE	MINIMUM EMBED	MINIMUM EDGE DIST.
<b>RECEPTOR, SUB-SILL, STRAP ANCHOR &amp; MULLION CLIP SCREWS</b>			
MIN. 2X4 WOOD FRAME OR BUCK (MIN. GR. 3 & G=0.55)	NO. 14 SMS OR WOOD SCREW	1 1/4"	3/4"
MIN. 18 GA. 33 KSI METAL STUD	1/4" GR. 5 SELF TAP/DRILL SCREW	FULL	1/2"
MIN. 1/8" THK A36 STEEL	1/4" GR. 5 SELF TAP/DRILL SCREW	FULL	1/2"
MIN. 0.100" THK 6063-T6 ALUM.	1/4" GR. 5 SELF TAP/DRILL SCREW	FULL	1/2"
(2) MIN. C-90 CMU	(1) 1/4" CONCRETE SCREW	1 1/4"	2"
MIN. 3000 PSI CONCRETE	(1) 1/4" CONCRETE SCREW	1 1/2"	2"

- (1) CONCRETE SCREWS SHALL BE ELCO ULTRACONS, ELCO CRETE-FLEX, ITW RAMSET/RED HEAD TAPCONS OR HILTI KWIK-CON II (HARDENED STEEL OR S.S.).  
(2) CMU IS NOT APPLICABLE AT HEAD & SILL.

DRAWN BY: W.R.M.	CHECKED BY: W.W.S.
PLOT: 1=16	DATE: 08/13/11
DATE	
BY	
REVISION DESCRIPTION	
NO.	

DRAWING TITLE: 8400TL SLIDING GLASS WINDOW (LARGE MISSILE IMPACT)

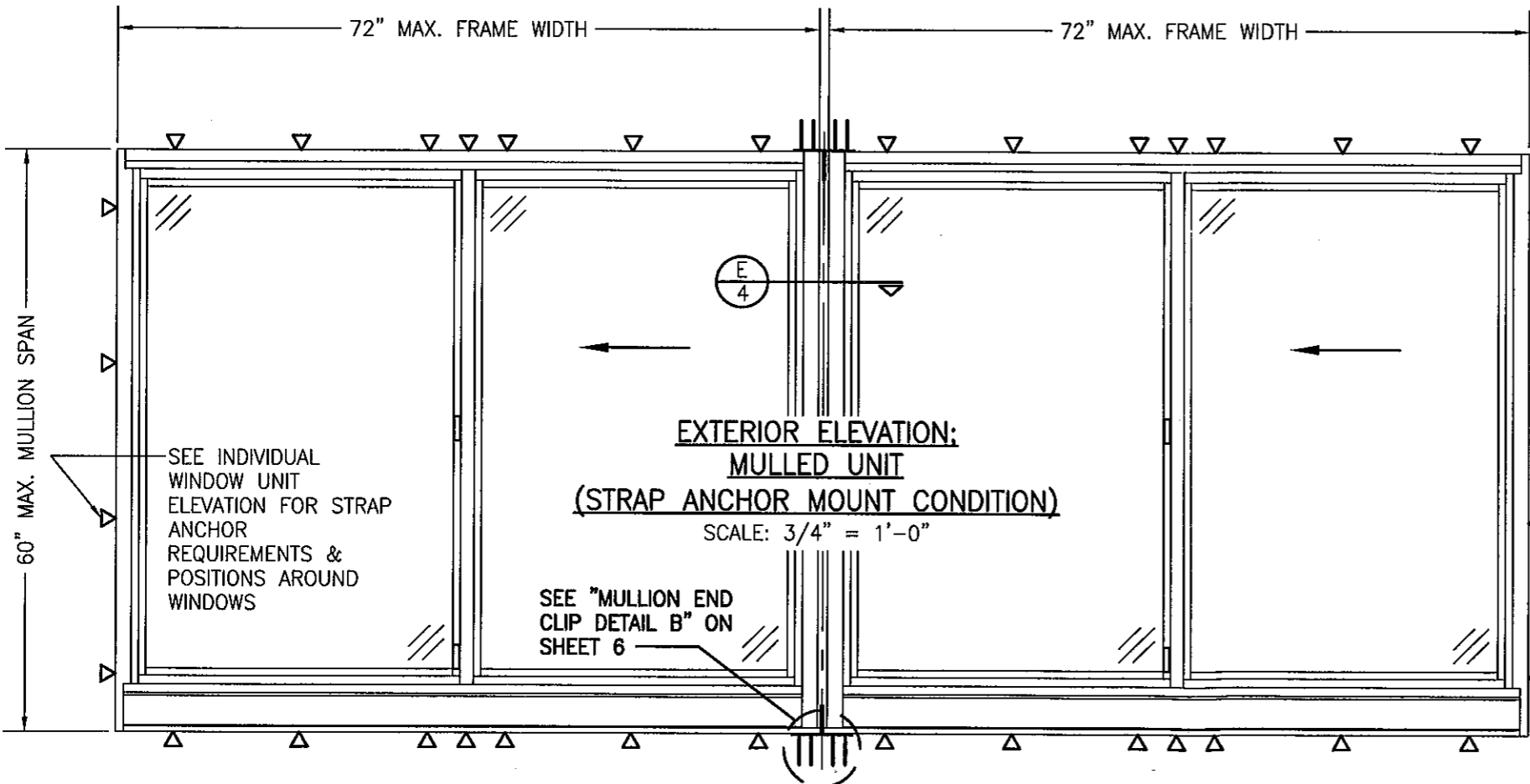
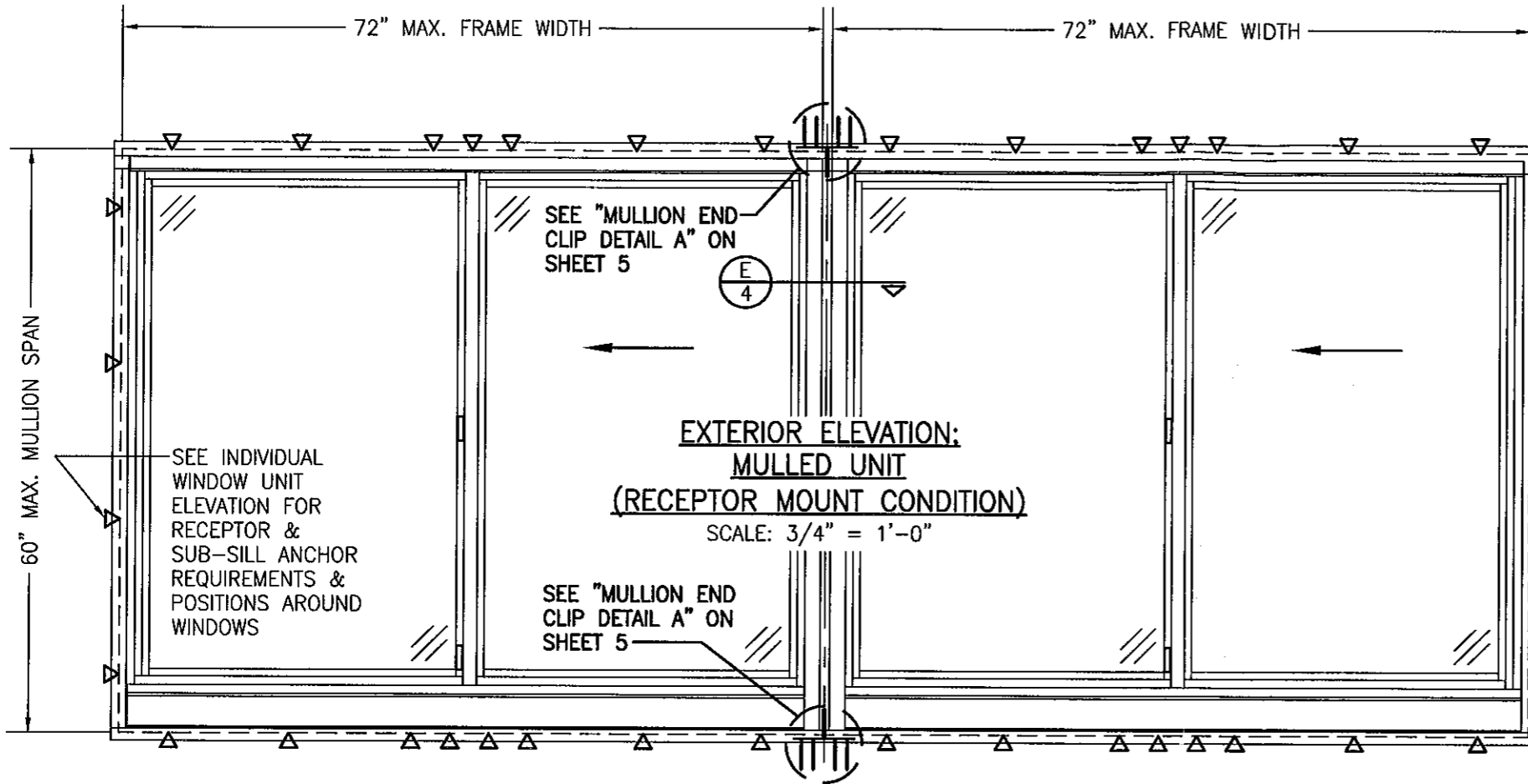
MANUFACTURER:  
**KAWNEER COMPANY, INC.**  
555 GUTHRIE COURT  
NORCROSS, GA 30092  
770-449-5555

CONSULTANTS:  
**W. W. SCHAEFER ENGINEERING  
& CONSULTING, P.A. (CA 6809)**  
7480 150TH COURT NORTH  
PALM BEACH GARDENS, FL 33418  
PHONE: 561-744-3424



CERTIFICATION:  
SEP 21 2011  
WARREN W. SCHAEFER, P.E.  
P.E. NO. 44135

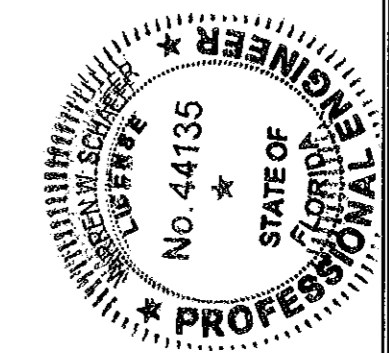
DRAWING NO. 1756  
SHEET NO. 1 OF 7



**MULLED UNIT NOTES:**

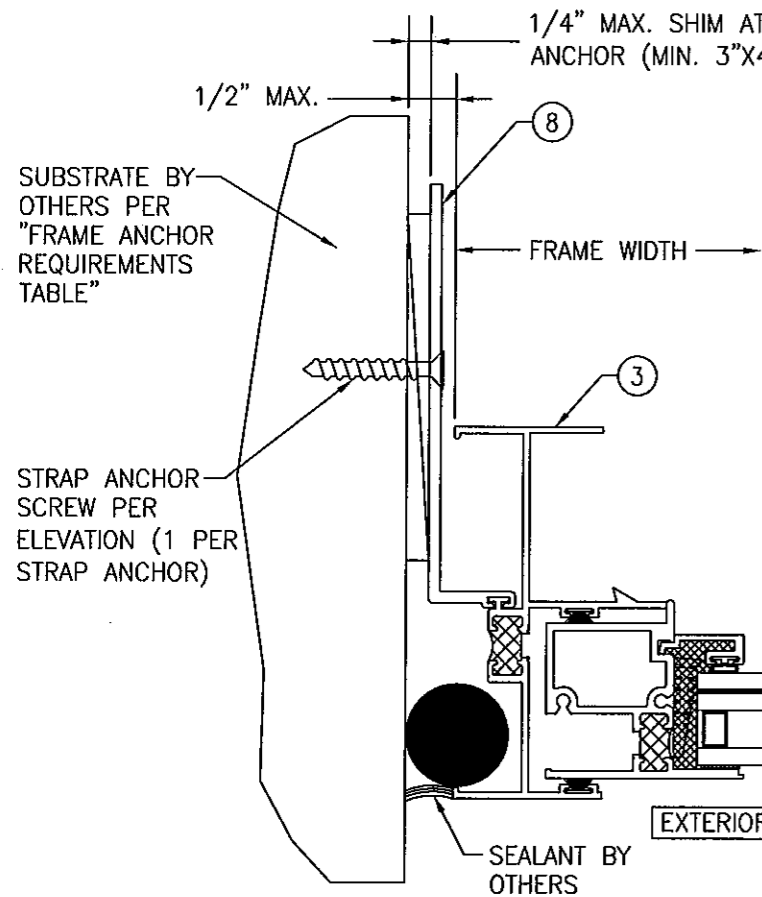
1. FOR ALL DETAIL NOT SHOWN, SEE INDIVIDUAL WINDOW ELEVATIONS.
2. THERE IS NO LIMIT ON THE NUMBER OF WINDOWS THAT MAY BE COMBINED IN ONE DIRECTION INTO ONE OPENING PROVIDING THE OPENING IS DESIGNED TO SUPPORT ALL LOADS TRANSFERRED FROM THE WINDOWS & THEIR MULLIONS.
3. SUB-SILL & HEAD RECEPTOR RUN CONTINUOUS ACROSS MULLION JOINTS.

Approved as complying with the Florida Building Code  
 Date 10/06/2011  
 NOA# 11-0705.11  
 Miami Date Product Control  
 By *[Signature]*



DRAWN BY: W.R.M.		CHECKED BY: W.W.S.	
PLOT: 1-18		DATE: 06/13/11	
NO.	REVISION DESCRIPTION	BY	DATE
DRAWING TITLE <b>8400TL SLIDING GLASS WINDOW (LARGE MISSILE IMPACT)</b>			
CONSULTANTS <b>W. W. SCHAEFER ENGINEERING &amp; CONSULTING, P.A. (CA 6809)</b>		MANUFACTURER <b>KAWNEER COMPANY, INC.</b>	
7480 150TH COURT NORTH PALM BEACH GARDENS, FL 33418 PHONE: 561-744-3424		555 GUTHRIDGE COURT NORCROSS, GA 30092 770-449-5555	
CERTIFICATION SEP 21 2011 WARREN W. SCHAEFER P.E. P.E. NO. 44135			
DRAWING NO. 1756		REV.	
SHEET NO. 2 OF 7			

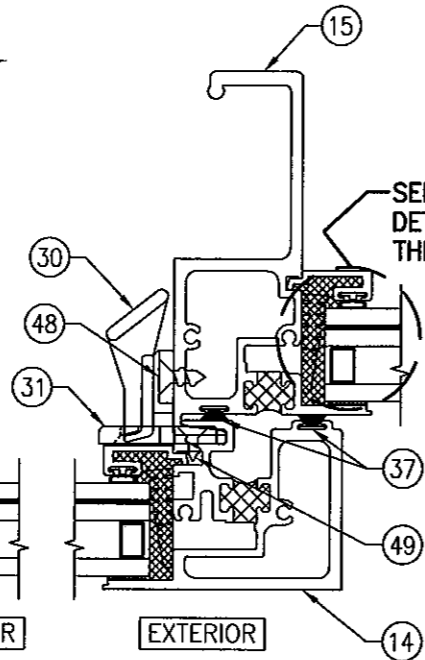




SECTION B2  
SCALE: 1/2 FULL

(STRAP ANCHOR MOUNT)

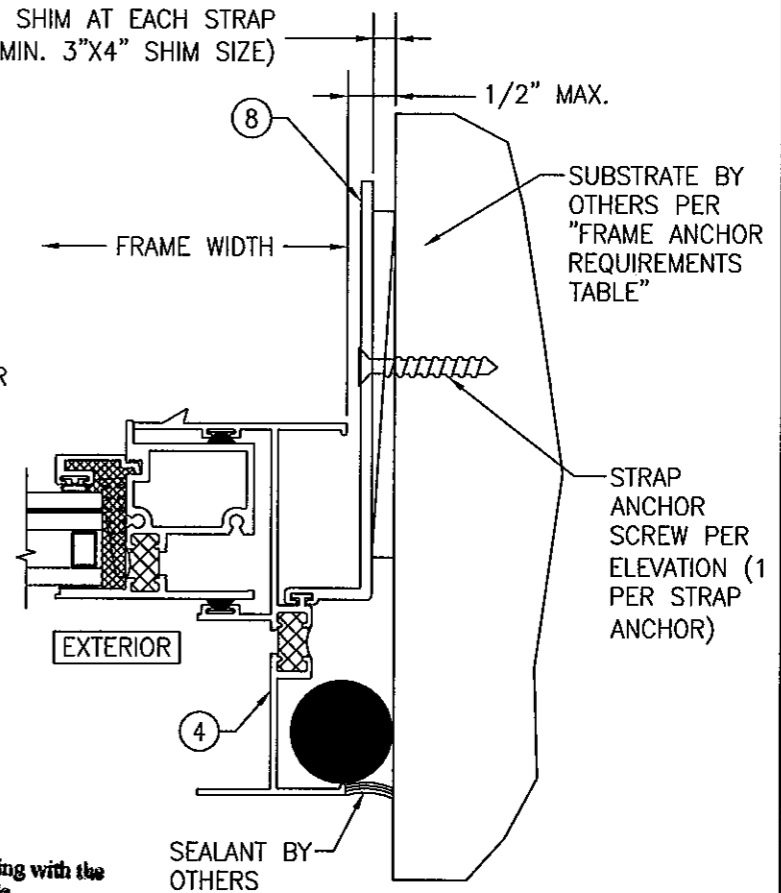
(FOR DETAIL NOT SHOWN, SEE SECTION B1/3)



SECTION C  
SCALE: 1/2 FULL

SECTION D1  
SCALE: 1/2 FULL

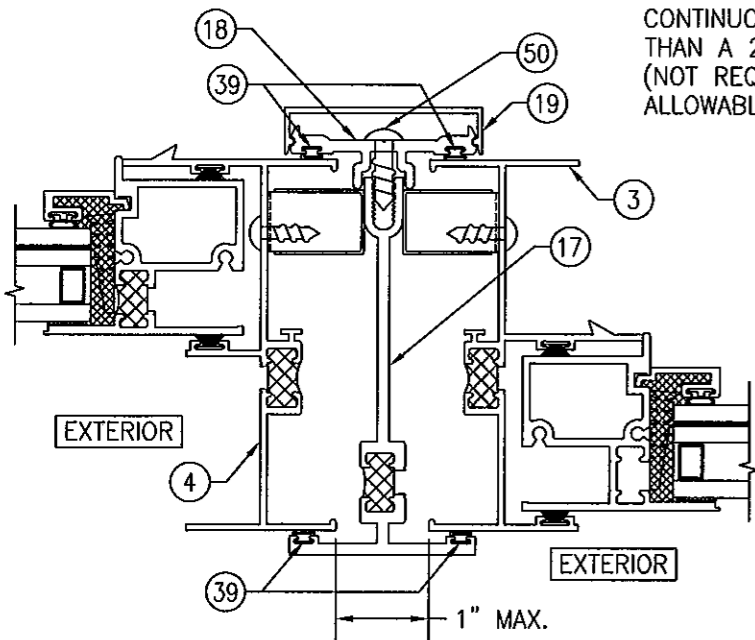
(RECEPTOR SCREW MOUNT)



SECTION D2  
SCALE: 1/2 FULL

(STRAP ANCHOR MOUNT)

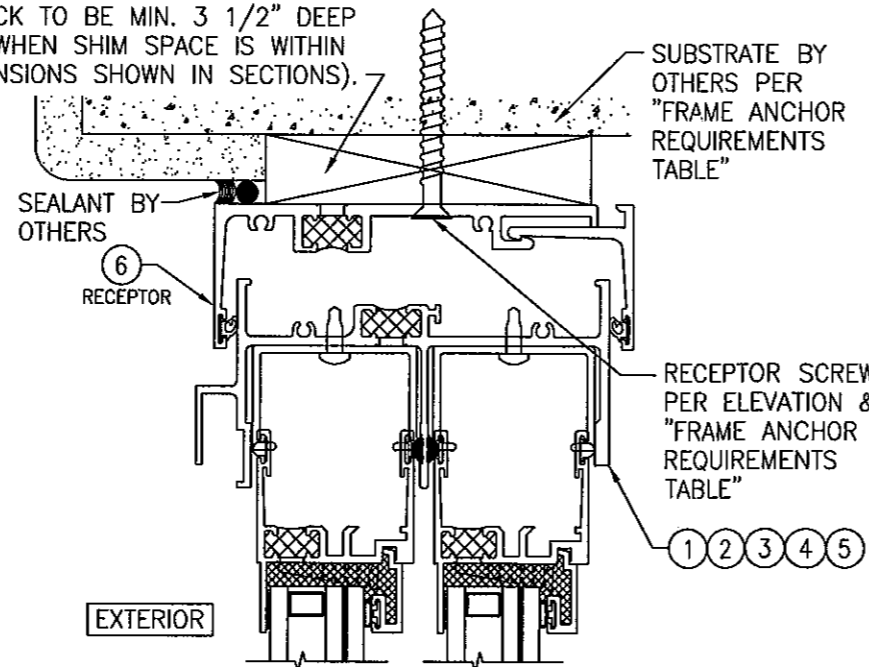
(FOR DETAIL NOT SHOWN, SEE SECTION D1/4)



SECTION E  
SCALE: 1/2 FULL

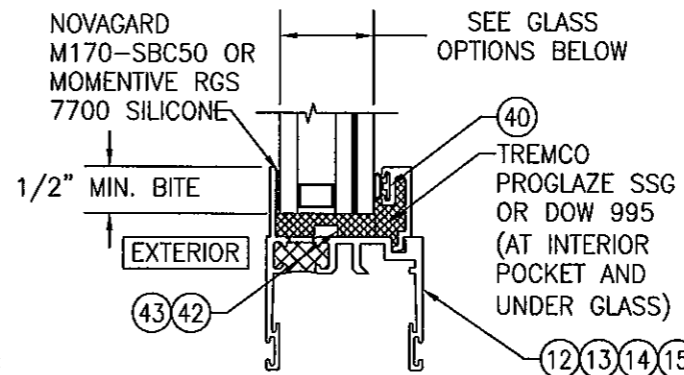
(FOR DETAIL NOT SHOWN, SEE OTHER SECTIONS)

CONTINUOUS WOOD MEMBER LESS IN THICKNESS THAN A 2X BUCK TO BE MIN. 3 1/2" DEEP (NOT REQUIRED WHEN SHIM SPACE IS WITHIN ALLOWABLE DIMENSIONS SHOWN IN SECTIONS).



OPTIONAL DIRECT MOUNT DETAIL TO SUBSTRATE WITH SPACER

(HEAD SECTION SHOWN; SILL & SIDES ARE INSTALLED THE SAME)  
(FOR DETAIL NOT SHOWN, SEE OTHER SECTIONS)

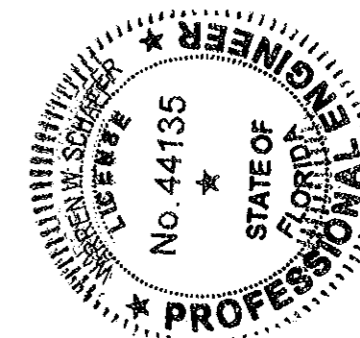


TYPICAL GLAZING DETAIL

GLASS OPTIONS:

- OPTION 1: 1" THICK I.G. GLASS (3/16 HT. ST. EXTERIOR; 3/8" SPACER; 3/16" HT. ST./0.075 SOLUTIA VANCEVA/3/16" HT. ST. INTERIOR)
- OPTION 2: 1" THICK I.G. GLASS (3/16 HT. ST. EXTERIOR; 3/8" SPACER; 3/16" HT. ST./0.09 DUPONT SG/3/16" HT. ST. INTERIOR)
- OPTION 3: 1" THICK I.G. GLASS (3/16 HT. ST. EXTERIOR; 3/8" SPACER; 3/16" HT. ST./0.100 SOLUTIA SAFLEX HP/3/16" HT. ST. INTERIOR)

NOTE: WINDOW MAY NOT BE INSTALLED IN A LOCATION WHERE THE SILL HEIGHT OF WINDOW EXCEEDS 30 FT. ABOVE GRADE UNLESS WINDOW IS PROTECTED BY AN APPROVED IMPACT SHUTTER.



Approved as complying with the Florida Building Code  
Date 10/06/2011  
NOA# 11-0705.1  
Miami Dade Product Control  
By [Signature]

DRAWN BY: W.R.M.	CHECKED BY: W.W.S.
PLOT: 1-2	DATE: 06/13/11
NO.	REVISION DESCRIPTION

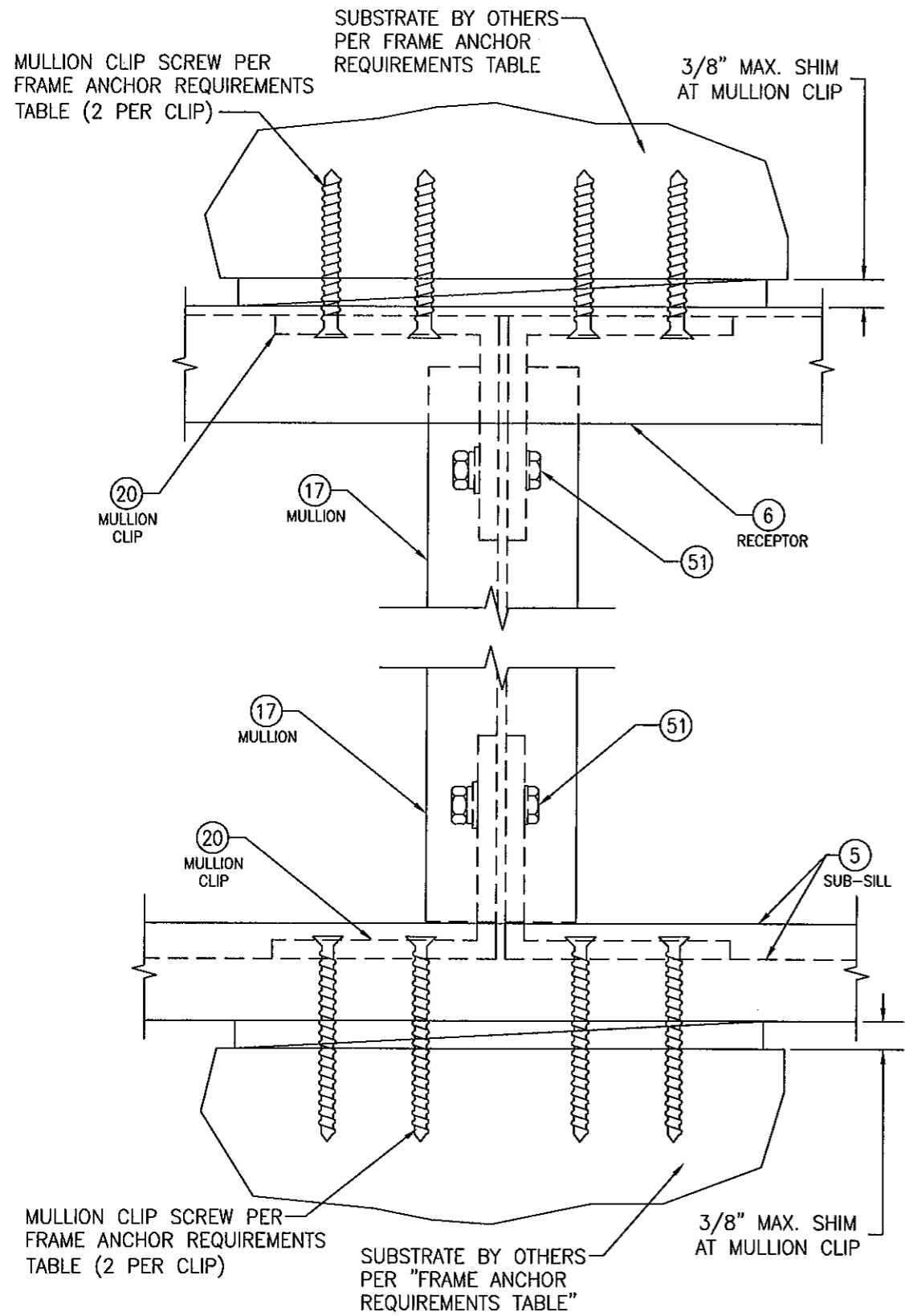
DRAWING TITLE: 8400TL SLIDING GLASS WINDOW (LARGE MISSILE IMPACT)

MANUFACTURER:  
KAWNEER COMPANY, INC.  
555 GUTHRIE COURT  
NORCROSS, GA 30092  
770-449-5555

CONSULTANTS:  
W. SCHAEFER ENGINEERING & CONSULTING, P.A. (CA 6809)  
7480 150TH COURT NORTH  
PALM BEACH GARDENS, FL 33418  
PHONE: 561-744-3424

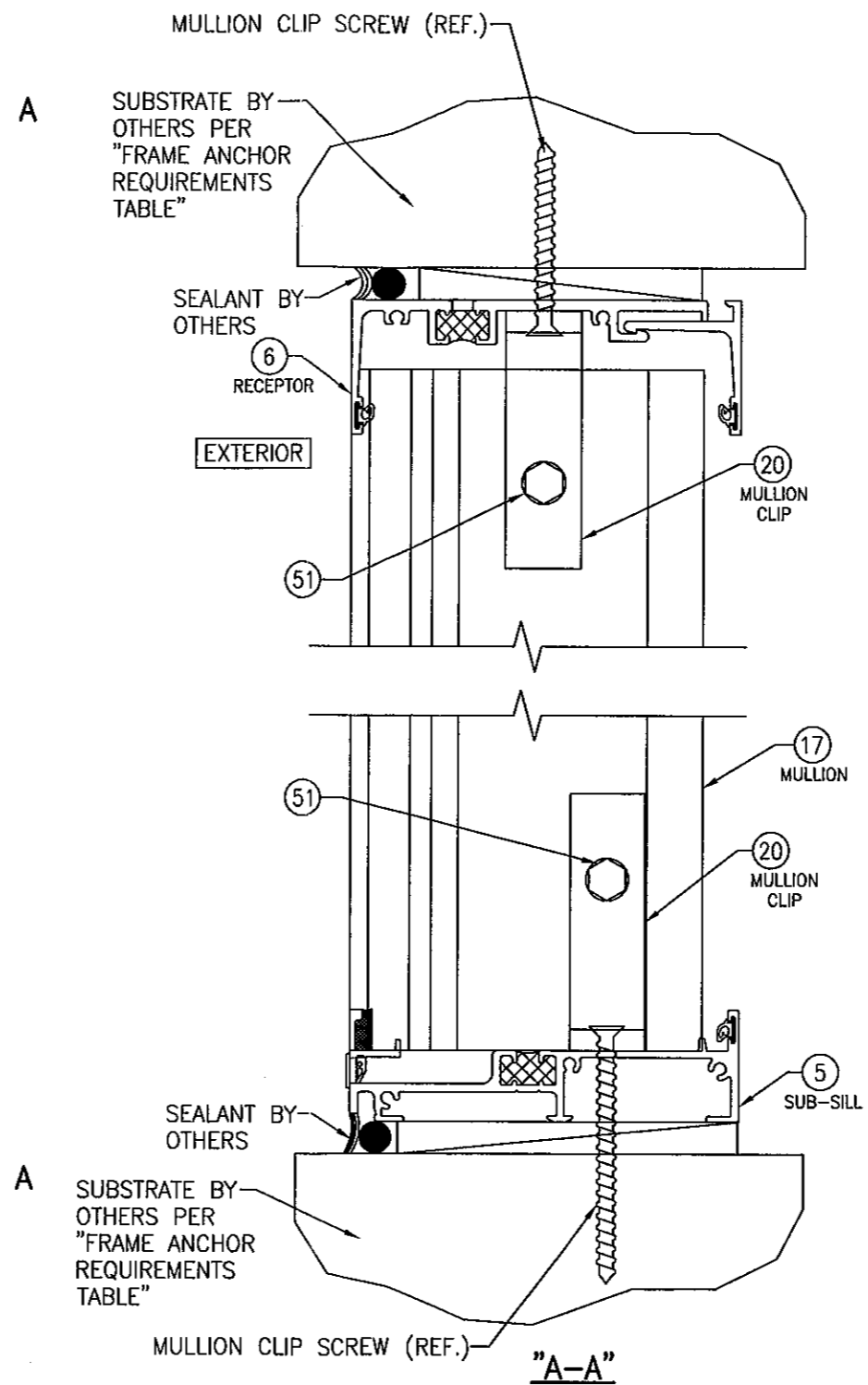
CERTIFICATION:  
WARREN W. SCHAEFER  
P.E.  
SEP 21 2011  
WARREN W. SCHAEFER, P.E.  
P.E. NO. 44135

DRAWING NO. 1756  
SHEET NO. 4 OF 7



**MULLION END CLIP DETAIL A**

(FOR DETAIL NOT SHOWN, SEE OTHER SECTIONS)  
(WINDOW COMPONENTS NOT SHOWN FOR CLARITY)



Approved as complying with the Florida Building Code  
Date 10/06/2011  
NOA# 11-0705.11  
Miami Dade Product Control  
By *[Signature]*

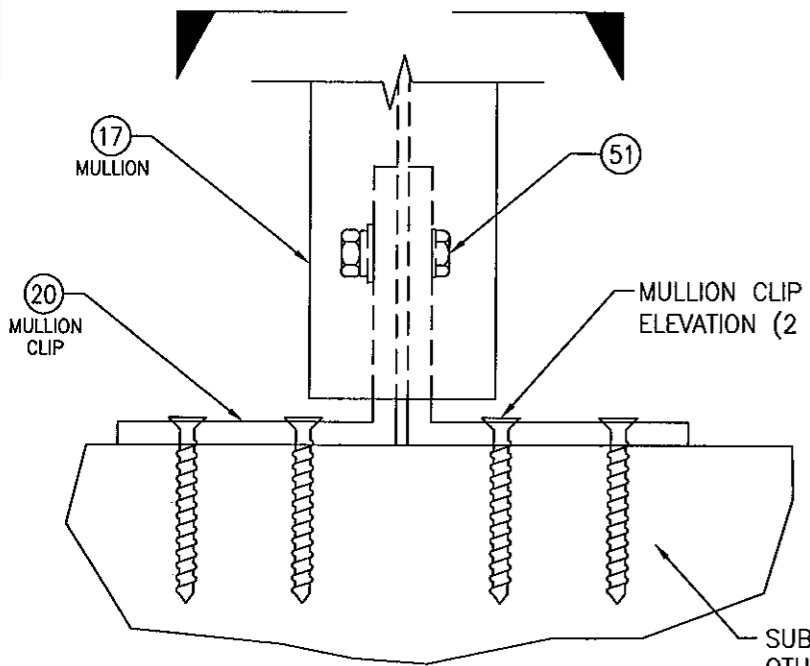
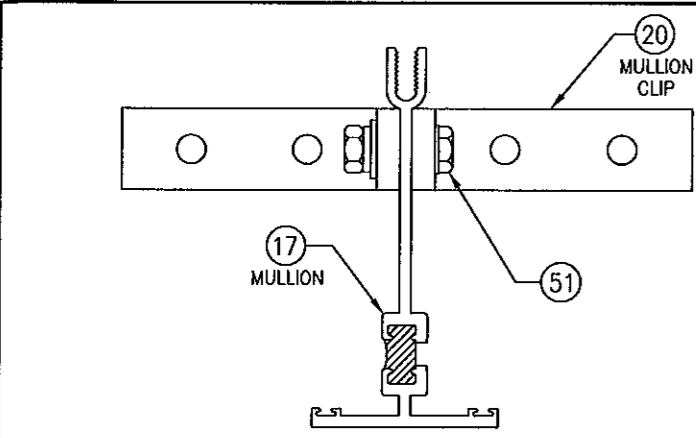


DRAWN BY: W.R.M.	CHECKED BY: W.W.S.
PLOT: 1=2	DATE: 06/13/11
NO.	REVISION DESCRIPTION
DATE	BY

DRAWING TITLE <b>8400TL SLIDING GLASS WINDOW (LARGE MISSILE IMPACT)</b>	MANUFACTURER <b>KAWNEER COMPANY, INC.</b> 555 GUTHRIDGE COURT NORCROSS, GA 30092 770-449-5555
CONSULTANTS <b>W. W. SCHAEFER ENGINEERING &amp; CONSULTING, P.A. (CA 6809)</b> 7480 150TH COURT NORTH PALM BEACH GARDENS, FL 33418 PHONE: 561-744-3424	

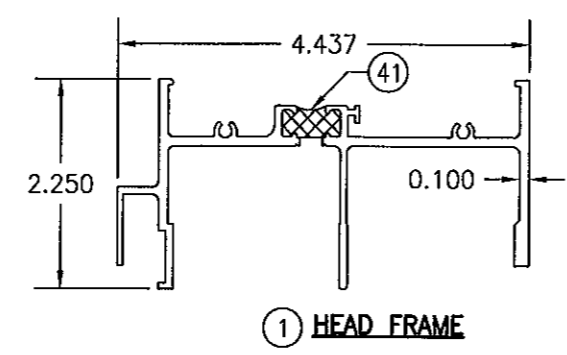
CERTIFICATION <i>[Signature]</i> SEP 21 2011 WARREN W. SCHAEFER, P.E. P.E. NO. 44135	DRAWING NO. <b>1756</b>	REV.
	SHEET NO. <b>5</b>	OF <b>7</b>



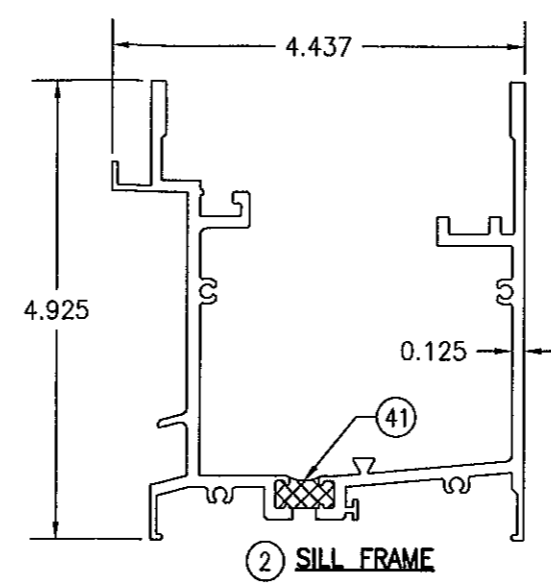


**MULLION END CLIP DETAIL B**  
(SILL SECTION SHOWN, HEAD IS THE SAME)  
(WINDOW COMPONENTS NOT SHOWN FOR CLARITY)

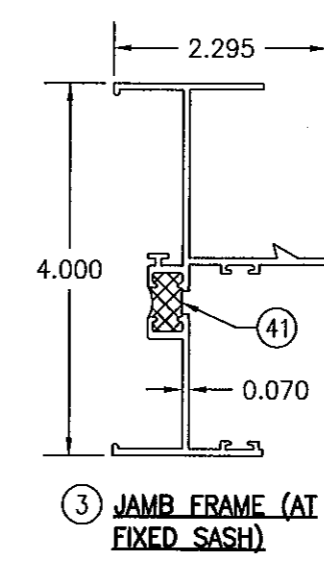
SUBSTRATE BY OTHERS PER "FRAME ANCHOR REQUIREMENTS TABLE"



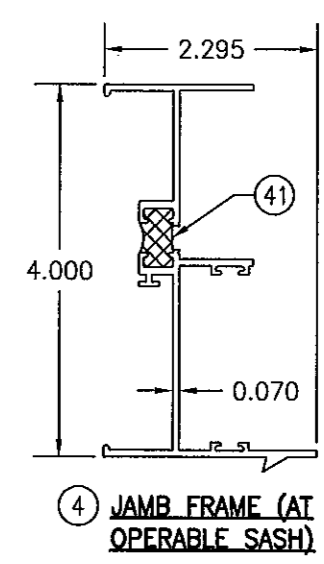
**1 HEAD FRAME**



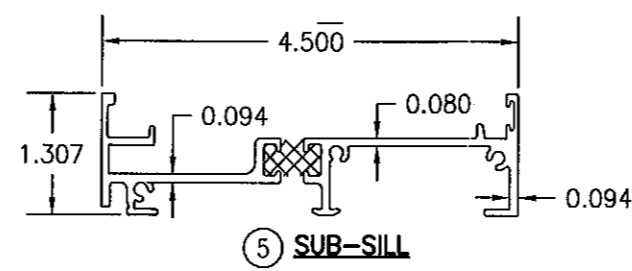
**2 SILL FRAME**



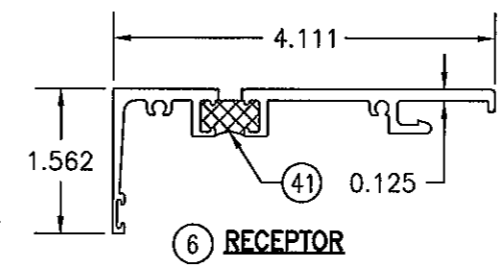
**3 JAMB FRAME (AT FIXED SASH)**



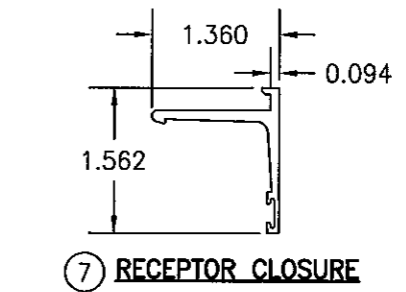
**4 JAMB FRAME (AT OPERABLE SASH)**



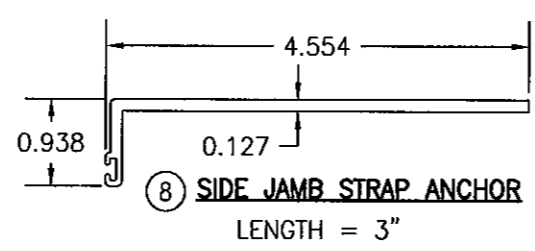
**5 SUB-SILL**



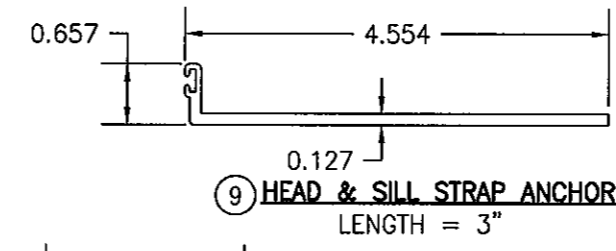
**6 RECEPTOR**



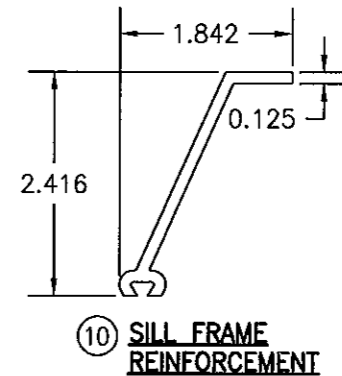
**7 RECEPTOR CLOSURE**



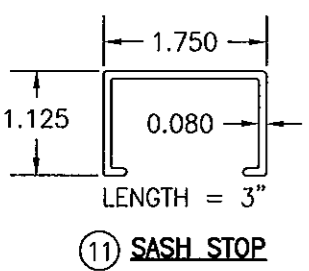
**8 SIDE JAMB STRAP ANCHOR**  
LENGTH = 3"



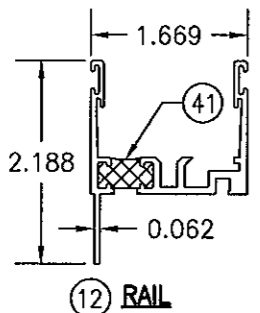
**9 HEAD & SILL STRAP ANCHOR**  
LENGTH = 3"



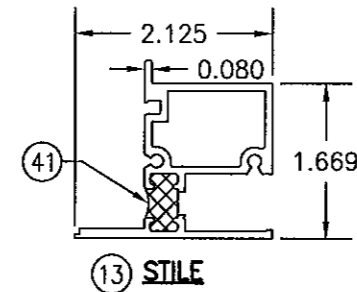
**10 SILL FRAME REINFORCEMENT**



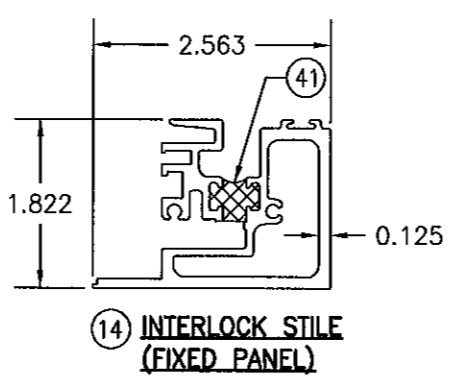
**11 SASH STOP**



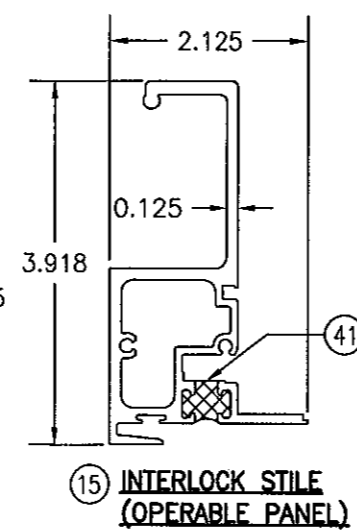
**12 RAIL**



**13 STILE**

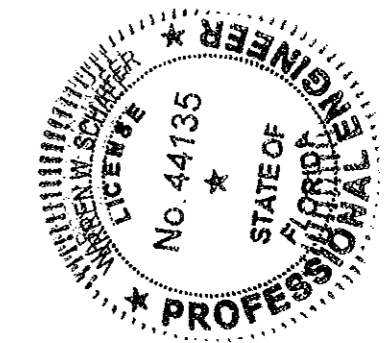


**14 INTERLOCK STILE (FIXED PANEL)**



**15 INTERLOCK STILE (OPERABLE PANEL)**

Approved as complying with the Florida Building Code  
Date 10/06/2011  
NOA# 11-0705.11  
Miami Dade Product Control  
By *[Signature]*



DRAWN BY:	W.R.M.	CHECKED BY:	W.W.S.
PLOT:	1=2	DATE:	08/13/11
NO.		REVISION DESCRIPTION	
DATE		BY	

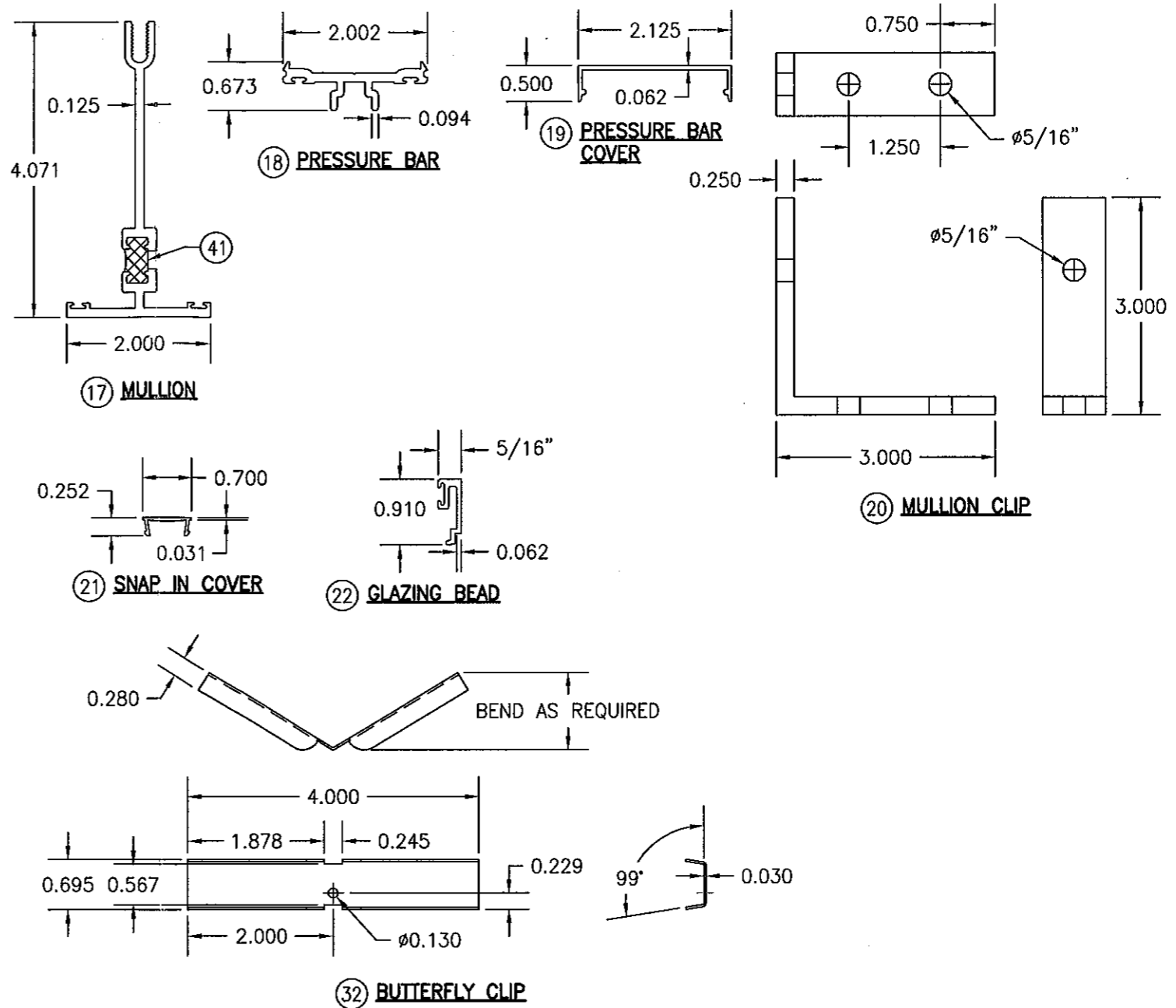
**8400TL SLIDING GLASS WINDOW (LARGE MISSILE IMPACT)**  
MANUFACTURER  
**KAWNEER COMPANY, INC.**  
555 GUTHRIDGE COURT  
NORCROSS, GA 30092  
770-449-5555

CONSULTANTS  
**W. SCHAEFER ENGINEERING & CONSULTING, P.A. (CA 6809)**  
7480 150TH COURT NORTH  
PALM BEACH GARDENS, FL 33418  
PHONE: 561-744-3424

CERTIFICATION  
*[Signature]*  
**SEP 21 2011**  
WARREN W. SCHAEFER, P.E.  
P.E. NO. 44135

DRAWING NO.	1756	REV.	
SHEET NO.	6	OF	7

ITEM #	ITEM DESCRIPTION	MANUFACTURER/NOTES
<b>PARTS</b>		
1	HEAD FRAME	6063-T6 ALUMINUM
2	SILL FRAME	6063-T6 ALUMINUM
3	JAMB FRAME (AT FIXED SASH)	6063-T6 ALUMINUM
4	JAMB FRAME (AT OPERABLE SASH)	6063-T6 ALUMINUM
5	SUB-SILL	6063-T6 ALUMINUM
6	RECEPTOR	6063-T6 ALUMINUM
7	RECEPTOR CLOSURE	6063-T6 ALUMINUM
8	SIDE JAMB STRAP ANCHOR	6063-T6 ALUMINUM
9	HEAD & SILL STRAP ANCHOR	6063-T6 ALUMINUM
10	SILL FRAME REINFORCEMENT	6063-T6 ALUMINUM
11	SASH STOP	6063-T6 ALUMINUM
12	RAIL	6063-T6 ALUMINUM
13	STILE	6063-T6 ALUMINUM
14	INTERLOCK STILE (FIXED PANEL)	6063-T6 ALUMINUM
15	INTERLOCK STILE (OPERABLE PANEL)	6063-T6 ALUMINUM
17	MULLION	6063-T6 ALUMINUM
18	PRESSURE BAR	6063-T6 ALUMINUM
19	PRESSURE BAR COVER	6063-T6 ALUMINUM
20	MULLION CLIP	6063-T6 ALUMINUM
21	SNAP IN COVER	6063-T6 ALUMINUM
22	GLAZING BEAD	6063-T6 ALUMINUM
23	WEEP COVER	PLASTIC
<b>HARDWARE</b>		
26	SASH CAM 400 SERIES	NYLON
27	HS, H.D. MFG. RAIL SASH CAM	NYLON
28	ROLLER	ZINC PLATED STEEL
29	ROLLER TRACK	S.S.
30	SWEEP LOCK	BRONZE (1 AT 8 3/4" FROM BOTTOM OF SASH & 1 AT CENTERLINE OF SASH)
31	LOCK KEEPER	BRONZE
32	BUTTERFLY CLIP	1018 GALVANIZED STEEL (1 AT MID-HEIGHT OF JAMB)
<b>SEALS &amp; SEALANTS</b>		
35	GASKET	SANTROP/POLYPROPYLENE
36	WEATHERSTRIP/SASH SEPARATOR	PVC
37	TRI-FIN WEATHERING	POLYPROPYLENE
38	1/4" BACK UP WEDGE	SCR-900
39	BULB WEATHERING	TPE/POLYPROPYLENE
40	BULB WEATHERING	TPE/POLYPROPYLENE
41	DEBRIDGING	2-PART POLYURETHANE
42	SETTING BLOCK	DENSE EPDM
43	WEDGE BLOCK	EPDM
<b>FASTENERS</b>		
47	NO. 8 X 1/2" TORX PHTFSD	2 PER SASH STOP
48	NO. 10 X 1/2" FHTF "B"	2 PER SWEEP LOCK
49	NO. 6 X 3/8" FHTF "AB"	2 PER LOCK KEEPER
50	1/4 -20 X 3/4" PHMS	WITHIN 3" FROM ENDS & 3" O.C.
51	1/4-20 X 1" HWHMS 1/4-20 HEX NUT 1/4" FLAT WASHER 1/4" RING LOCK WASHER	1 PER MULLION END
52	NO. 8 X 5/8" PHTF "AB"	1 PER BUTTERFLY CLIP



Approved as complying with the Florida Building Code  
 Date 10/06/2011  
 NOA# 11-070611  
 Miami-Dade Product Control  
 By *[Signature]*



DRAWN BY: W.R.M.	CHECKED BY: W.W.S.
PLOT: 1-2	DATE: 08/13/11
DATE	
BY	
REVISION DESCRIPTION	
NO.	
<b>DRAWING TITLE</b>	
<b>8400TL SLIDING GLASS WINDOW (LARGE MISSILE IMPACT)</b>	
<b>MANUFACTURER</b>	
KAWNEER COMPANY, INC. 555 GUTHRIDGE COURT NORCROSS, GA 30092 770-449-5555	
<b>CONSULTANTS</b>	
W. W. SCHAEFER ENGINEERING & CONSULTING, P.A. (CA 6809) 7480 150TH COURT NORTH PALM BEACH GARDENS, FL 33418 PHONE: 561-744-3424	
<b>CERTIFICATION</b>	
SEP 21 2011 WARREN W. SCHAEFER, P.E. P.E. NO. 44135	
DRAWING NO.	REV.
1756	
SHEET NO.	
7 OF 7	