



DEPARTMENT OF PERMITTING, ENVIRONMENT, AND REGULATORY  
AFFAIRS (PERA)  
BOARD AND CODE ADMINISTRATION DIVISION  
**NOTICE OF ACCEPTANCE (NOA)**

MIAMI-DADE COUNTY  
PRODUCT CONTROL SECTION  
11805 SW 26 Street, Room 208  
Miami, Florida 33175-2474  
T (786) 315-2590 F (786) 315-2599  
[www.miamidade.gov/pera/](http://www.miamidade.gov/pera/)

**Dryvit System, Inc.**  
**One Energy Way**  
**West Warwick, RI 02893**

**SCOPE:**

This NOA is being issued under the applicable rules and regulations governing the use of construction materials. The documentation submitted has been reviewed and accepted by Miami-Dade County PERA - Product Control Section to be used in Miami Dade County and other areas where allowed by the Authority Having Jurisdiction (AHJ).

This NOA shall not be valid after the expiration date stated below. The Miami-Dade County Product Control Section (In Miami Dade County) and/or the AHJ (in areas other than Miami Dade County) reserve the right to have this product or material tested for quality assurance purposes. If this product or material fails to perform in the accepted manner, the manufacturer will incur the expense of such testing and the AHJ may immediately revoke, modify, or suspend the use of such product or material within their jurisdiction. PERA reserves the right to revoke this acceptance, if it is determined by Miami-Dade County Product Control Section that this product or material fails to meet the requirements of the applicable building code. This product is approved as described herein, and has been designed to comply with the Florida Building Code, including the High Velocity Hurricane Zone.

**DESCRIPTION: Dryvit Outsulation Plus MD over ½" Sheathing (EIF) System**

**APPROVAL DOCUMENT:** Drawing No. OPLSM12STDPLUS, titled "Outsulation Plus MD System with Std. Plus over ½" Sheathing", sheets 1 and 2 of 2, dated 02/25/2001, with Revision 1 dated 06/15/2009, prepared by Wolters Engineering, signed and sealed by Scott Wolters, P.E., bearing the Miami-Dade County Product Control renewal stamp with the Notice of Acceptance number and expiration date by the Miami-Dade County Product Control Section.

**MISSILE IMPACT RATING: Large and Small Missile Impact Resistant.**

**LABELING:** Each unit shall bear a permanent label with the manufacturer's name or logo, city, state and following statement: "Miami-Dade County Product Control Approved", unless otherwise noted herein.

**RENEWAL** of this NOA shall be considered after a renewal application has been filed and there has been no change in the applicable building code negatively affecting the performance of this product.

**TERMINATION** of this NOA will occur after the expiration date or if there has been a revision or change in the materials, use, and/or manufacture of the product or process. Misuse of this NOA as an endorsement of any product, for sales, advertising or any other purposes shall automatically terminate this NOA. Failure to comply with any section of this NOA shall be cause for termination and removal of NOA.

**ADVERTISEMENT:** The NOA number preceded by the words Miami-Dade County, Florida, and followed by the expiration date may be displayed in advertising literature. If any portion of the NOA is displayed, then it shall be done in its entirety.

**INSPECTION:** A copy of this entire NOA shall be provided to the user by the manufacturer or its distributors and shall be available for inspection at the job site at the request of the Building Official. This NOA renews NOA # 09-0824.11 and consists of this page 1 and evidence pages E-1 and E-2, as well as approval document mentioned above.

The submitted documentation was reviewed by **Carlos M. Utrera, P.E.**



*[Signature]*  
01/23/2012

NOA No. 11-1108.01  
Expiration Date: December 20, 2016  
Approval Date: February 2, 2012  
Page 1

**NOTICE OF ACCEPTANCE: EVIDENCE SUBMITTED**

**A. DRAWINGS “Submitted under NOA # 09-0824.11”**


1. Drawing No. **OPLSM12STDPLUS**, titled “Outsulation Plus MD System with Std. Plus over ½” Sheathing”, sheets 1 and 2 of 2, dated 02/25/2001, with Revision 1 dated 06/15/2009, prepared by Wolters Engineering, signed and sealed by Scott Wolters, P.E.

**B. TESTS “Submitted under NOA # 09-0824.11”**

1. Test reports on 1) Uniform Static Air Pressure Test, Loading per FBC TAS 202-94  
2) Large Missile Impact Test per FBC, TAS 201-94  
3) Cyclic Wind Pressure Loading per FBC, TAS 203-94  
along with marked-up drawings and installation diagram of Dryvit Outsulation Plus System with Standard Plus over ½” Sheathing, prepared by Hurricane Test Laboratory, LLC, Test Report No. **G141-0405-09**, dated 06/29/2009, signed and sealed by Vinu J. Abraham, P.E.
2. Test reports on 1) Uniform Static Air Pressure Test, Loading per FBC TAS 202-94  
2) Large Missile Impact Test per FBC, TAS 201-94  
3) Cyclic Wind Pressure Loading per FBC, TAS 203-94  
along with marked-up drawings and installation diagram of Dryvit Outsulation Plus System with Standard Plus over ½” Sheathing, prepared by Hurricane Test Laboratory, LLC, Test Report No. **G537-0302-09**, dated 06/24/2009, signed and sealed by Vinu J. Abraham, P.E.

**“Submitted under NOA # 06-1004.06”**

3. Test report on Large Missile Impact Test per PA 201, Cyclic Pressure Test per PA 203, Uniform Static Air Test, Air Infiltration Test, Water Leakage Test per PA 202 of “4 x 8 Dryvit Outsulation Plus System”, prepared by Twin City Testing Corporation, Report No. **TCTCWI01002**, Test Units 1, 2, 3 & 4, dated 03/03/2001, signed and sealed by D. J. Swanson, P.E.
4. Test report on Genesis and Primus over Exterior Gypsum Tensile Test per ASTM C 297, Test No. **520644**, dated 07/06/2000, signed by W. A. Jackson.

  
01/23/2012

Carlos M. Utrera, P.E.  
Product Control Examiner  
NOA No. 11-1108.01

Expiration Date: December 20, 2016  
Approval Date: February 2, 2012

**NOTICE OF ACCEPTANCE: EVIDENCE SUBMITTED**

**C. CALCULATIONS “Submitted under NOA # 09-0824.11”**

1. Anchor verification calculations prepared by Wolters Engineering, dated 08/10/2009, signed and sealed by Scott Wolters, P.E.

**D. QUALITY ASSURANCE**

1. Miami-Dade Department of Permitting, Environment, and Regulatory Affairs (PERA)

**E. MATERIAL CERTIFICATIONS**

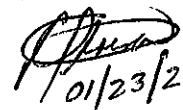
1. None.

**F. STATEMENTS**

1. Statement letter of code conformance to 2010 FBC issued by Wolters Engineering, dated 10/31/2011, signed and sealed by Scott Wolters, P.E.

***“Submitted under NOA # 09-0824.11”***

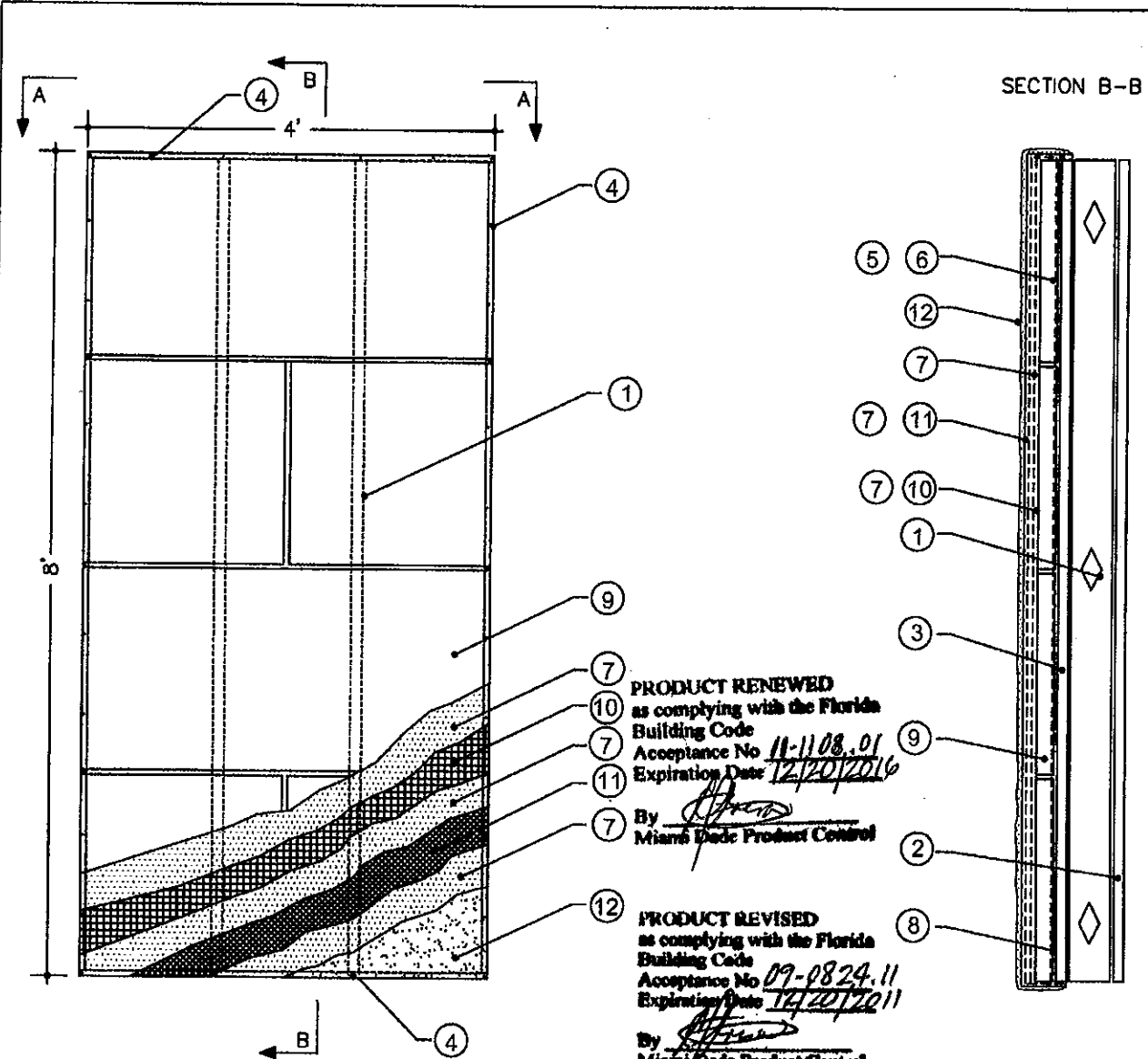
2. Statement letter of no financial interest issued by Wolters Engineering, dated 08/10/2009, signed and sealed by Scott Wolters, P.E.
3. Statement letters of code conformance issued by Hurricane Test Laboratory, LLC, Test Reports No. **G141-0405-09** and **G537-0302-09**, dated 06/29/2009 and 06/24/2009 respectively, both signed and sealed by Vinu J. Abraham, P.E.



01/23/2012

---

Carlos M. Utrera, P.E.  
Product Control Examiner  
NOA No. 11-1108.01  
Expiration Date: December 20, 2016  
Approval Date: February 2, 2012

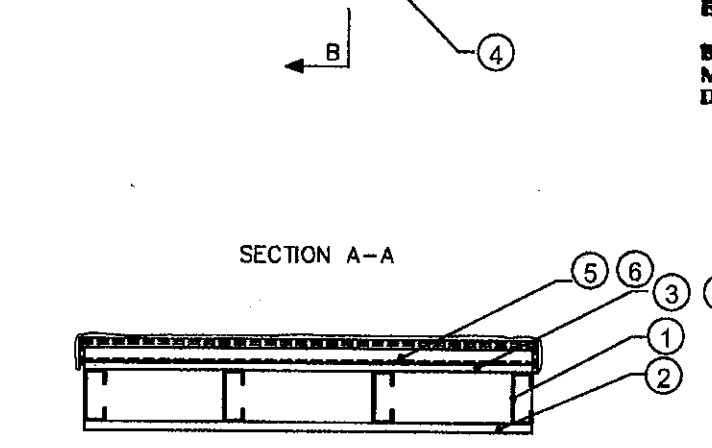


SECTION B-B

PRODUCT RENEWED  
 as complying with the Florida  
 Building Code  
 Acceptance No 11-1108.01  
 Expiration Date 12/20/2016  
 By *[Signature]*  
 Miami Dade Product Control

PRODUCT REVISED  
 as complying with the Florida  
 Building Code  
 Acceptance No 09-0824.11  
 Expiration Date 12/20/2011  
 By *[Signature]*  
 Miami Dade Product Control  
 Division

SCOTT WOLTERS  
 FL PE# 62354  
 WOLTERS ENGINEERING  
 (COA# 27194)  
 322 BUCHANAN #609  
 HOLLYWOOD, FL 33019  
 PH/FAX: (954) 921-5828  
 SEAL: *[Signature]*  
 10-26-09



SECTION A-A

**MATERIAL LIST**

- ① 3 5/8" X 1 5/8" X 18 GAUGE STEEL STUDS AT 16" O.C.
- ② 1/2" GYPSUM SHEATHING
- ③ 1/2" EXTERIOR GRADE GYPSUM SHEATHING, MEETING ASTM C 1396 (FORMERLY ASTM C 79) OR 1/2" DENS-GLASS GOLD, USG SECUROCK, OR NATIONAL GYPSUM e2XP SHEATHING, MEETING ASTM C 1177
- ④ NO. 6 X 1 1/4" SELF TAPPING SCREWS SPACED 6" O.C.
- ⑤ DRYVIT BACKSTOP® NT
- ⑥ DRYVIT STANDARD PLUS REINFORCING MESH: 6.0 OZ/SQ. YD FIBERGLASS REINFORCING MESH EMBEDDED IN THE DRYVIT BACKSTOP NT OVER THE SHEATHING. THE STANDARD PLUS REINFORCING MESH SHALL BE LAPPED A MINIMUM OF 2 1/2" AT ALL EDGES.
- ⑦ DRYVIT BASE COAT: GENESIS® MIXED 1:1 BY WEIGHT WITH PORTLAND CEMENT AND WATER. GENESIS IS A FIBER REINFORCED 100% ACRYLIC BASED PRODUCT.
- ⑧ ADHERE THE EXPANDED POLYSTYRENE INSULATION BOARD WITH DRYVIT'S PRIMUS MIXTURE OR GENESIS MIXTURE. PRIMUS® IS A 100 PERCENT POLYMER BASED PRODUCT AND GENESIS IS A FIBER REINFORCED 100 PERCENT ACRYLIC BASED PRODUCT. PRIMUS OR GENESIS ARE MIXED 1:1 BY WEIGHT WITH PORTLAND CEMENT AND WATER. THE ADHESIVE IS APPLIED WITH A 3/8" WIDE X 1/2" DEEP NOTCH TROWEL WITH NOTCHES SPACED A MAXIMUM OF 1 1/2" O.C. THE ADHESIVE SHALL BE APPLIED TO THE BACK OF THE INSULATION BOARD VERTICALLY.
- ⑨ MINIMUM 1" THICK INSULATION BOARD MEETING THE FBC SECTION 2612. INSULATION BOARD SUPPLIER SHALL POSSESS A CURRENT NOA WITH MIAMI-DADE COUNTY.
- ⑩ DRYVIT PANZER® 20 REINFORCING MESH: 20.5 OZ/SQ. YD FIBERGLASS REINFORCING MESH EMBEDDED IN DRYVIT BASE COAT. PANZER 20 MESH EDGES SHALL BE ABUTTED TIGHTLY. DO NOT OVERLAP.
- ⑪ DRYVIT STANDARD REINFORCING MESH: 4.3 OZ/SQ. YD FIBERGLASS REINFORCING MESH EMBEDDED IN THE DRYVIT BASE COAT. THE STANDARD REINFORCING MESH SHALL BE LAPPED A MINIMUM OF 2 1/2" AT ALL EDGES.
- ⑫ DRYVIT FINISH: A 100 PERCENT ACRYLIC BASED MATERIAL AVAILABLE IN VARIOUS TEXTURES.

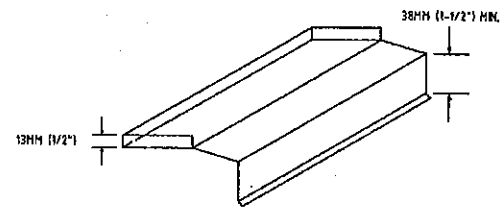
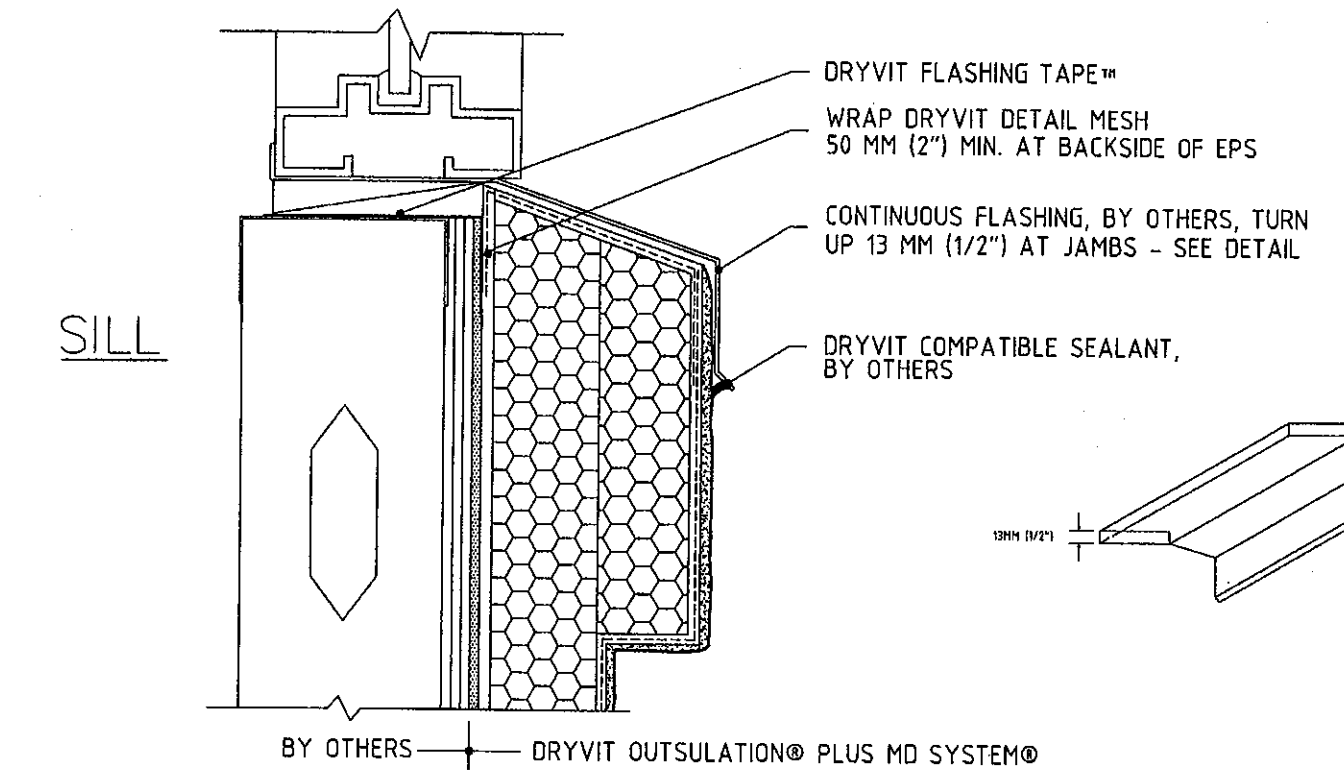
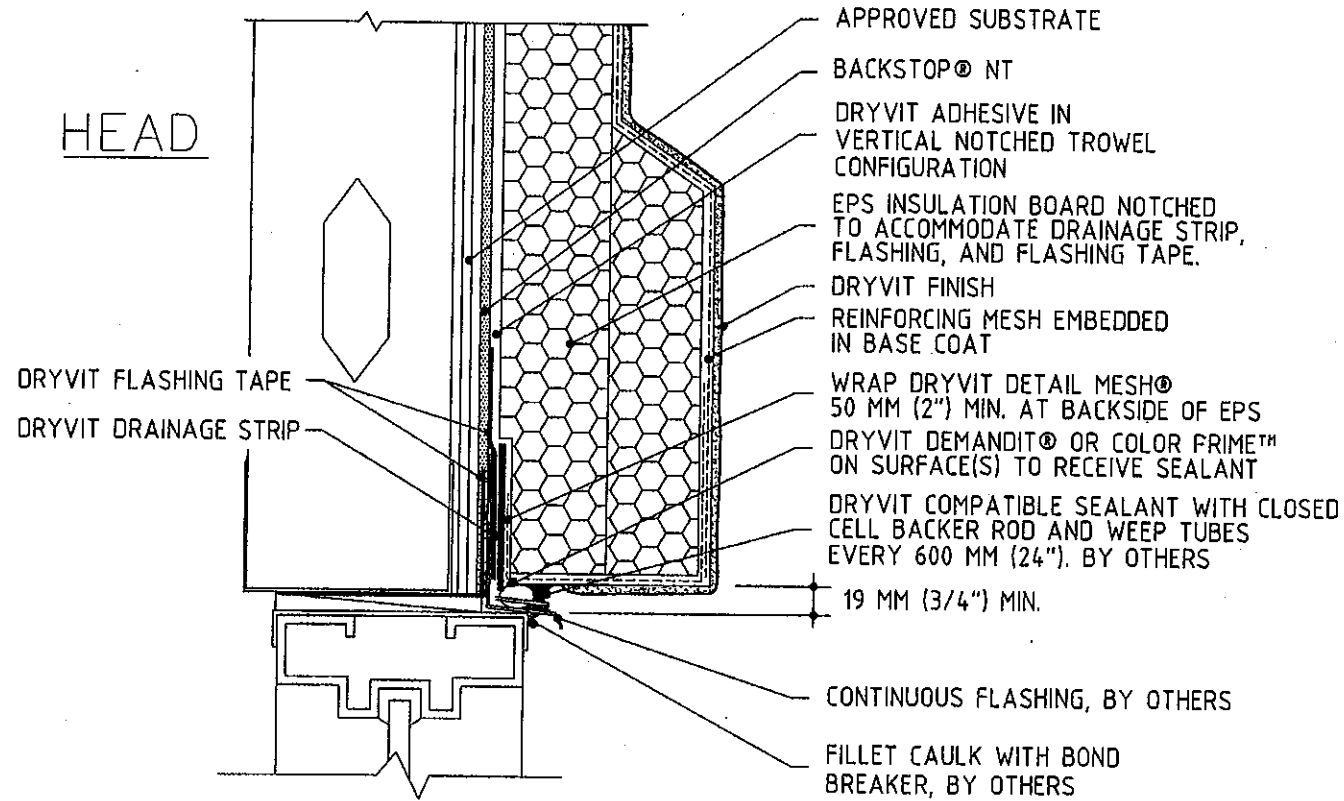
**GENERAL NOTES**

- 1. THE SYSTEM HAS BEEN DESIGNED IN ACCORDANCE WITH THE LATEST EDITION OF THE FLORIDA BUILDING CODE INCLUDING THE LATEST SUPPLEMENTS.
- 2. THIS SYSTEM HAS BEEN TESTED IN ACCORDANCE WITH DADE COUNTY PROTOCOLS TAS-201, TAS-202, AND TAS-203 FOR LARGE MISSILE IMPACT, STRUCTURAL AND CYCLIC TESTING.
- 3. THIS SYSTEM SHALL BE APPLIED BY A LICENSED PLASTERING CONTRACTOR FOLLOWING THIS NOTICE OF ACCEPTANCE THE RECOMMENDATION OF DRYVIT SYSTEMS, INC. AND THE APPLICABLE SECTIONS OF THE FLORIDA BUILDING CODE.
- 4. THE ENGINEER AND/OR ARCHITECT OF RECORD FOR EACH PROJECT USING THIS SYSTEM SHALL SIZE ALL STUD FRAMING TO ENSURE CONFORMANCE WITH STUD DEFLECTION AND STRESS LIMITATIONS AS REQUIRED BY ALL GOVERNING CODES AND THIS DOCUMENT.
- 5. INSULATION BOARDS SHALL BE POSITIONED IN A RUNNING BOND PATTERN.
- 6. ALL STUDS USED WITH THIS SYSTEM SHALL BE COMPLETELY SHEATHED AT THE INTERIOR FLANGE OR BRIDGED AT A MAXIMUM OF EVERY 5' OF STUD LENGTH OR AS SPECIFIED BY THE STUD MANUFACTURER.
- 7. ALL STEEL STUDS SHALL BE STRUCTURAL WITH 1 5/8" MINIMUM FLANGE WIDTH AND HAVE A MINIMUM YIELD STRENGTH OF 33000 PSI.
- 8. DETAILS ON SHEET 2 OF 2 ARE TYPICAL AND SHOW INTENT TO PREVENT WATER INFILTRATION INTO AND BEHIND THIS SYSTEM. ALTERNATE DETAILS AND SPECIFIC CONDITIONS NOT COVERED BY THE TYPICAL DETAILS ARE THE RESPONSIBILITY OF THE LICENSED DESIGN PROFESSIONALS IN CONSULTATION WITH DRYVIT SYSTEMS, INC.

DESIGN PRESSURE
±66.5 PSF

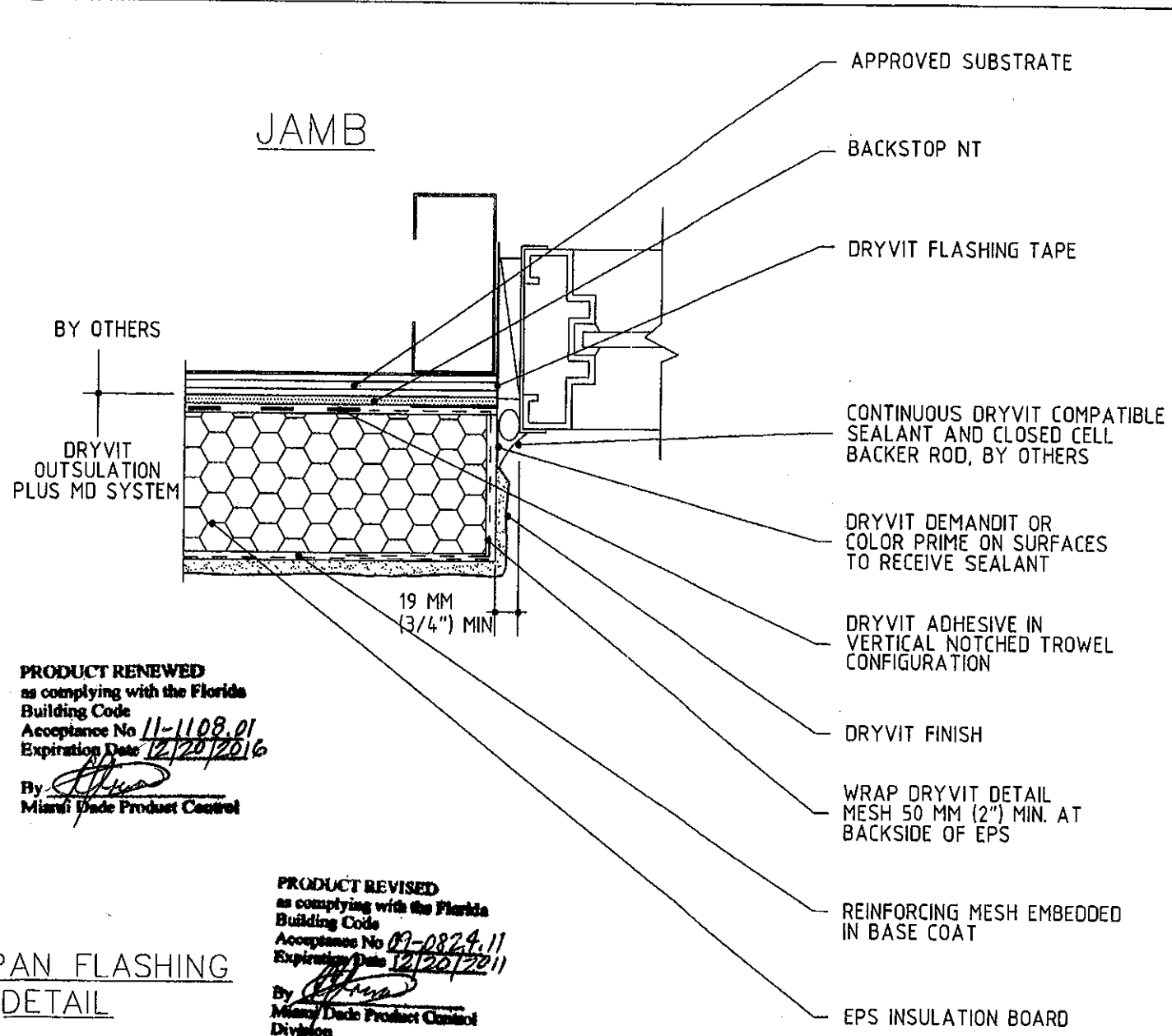
DRYVIT SYSTEMS, INC. One Energy Way West Warwick, Rhode Island		
DWG. NO.: OPLSM12STDPLUS		
SHEET NO: 1 OF 2	ISSUE DATE: 02/25/01	REV / 1 06/15/09
OUTSULATION® PLUS MD SYSTEM® WITH STD. PLUS OVER 1/2" SHEATHING		

HEAD



SILL PAN FLASHING DETAIL

JAMB



**PRODUCT RENEWED**  
 as complying with the Florida Building Code  
 Acceptance No 11-1108.01  
 Expiration Date 12/20/2016  
 By *[Signature]*  
 Miami Dade Product Control

**PRODUCT REVISED**  
 as complying with the Florida Building Code  
 Acceptance No 09-0824.11  
 Expiration Date 12/20/2011  
 By *[Signature]*  
 Miami Dade Product Control Division

SCOTT WOLTERS  
 FL PE# 62354  
 WOLTERS ENGINEERING  
 (COA# 27194)  
 322 BUCHANAN #609  
 HOLLYWOOD, FL 33019  
 PH/FAX: (954) 921-5828

SEAL: *[Signature]*  
 8-10-09

DRYVIT SYSTEMS, INC.  
 One Energy Way  
 West Warwick, Rhode Island **dryvit®**

DWG. NO.: OPLSM12STDPLUS  
 SHEET NO: 2 OF 2  
 ISSUE DATE: 02/25/01  
 REV / 1 06/15/09  
 OUTSULATION® PLUS MD SYSTEM®  
 WITH STD. PLUS OVER 1/2" SHEATHING