



DEPARTMENT OF PERMITTING, ENVIRONMENT, AND REGULATORY
AFFAIRS (PERA)
BOARD AND CODE ADMINISTRATION DIVISION

MIAMI-DADE COUNTY
PRODUCT CONTROL SECTION
11805 SW 26 Street, Room 208
Miami, Florida 33175-2474
T (786) 315-2590 F (786) 315-2599

NOTICE OF ACCEPTANCE (NOA)

www.miamidade.gov/pera/

Trulite Glass & Aluminum Solutions, LLC
800 Fairway Drive, Suite 200
Deerfield Beach, FL 33441

SCOPE:

This NOA is being issued under the applicable rules and regulations governing the use of construction materials. The documentation submitted has been reviewed and accepted by Miami-Dade County PERA - Product Control Section to be used in Miami Dade County and other areas where allowed by the Authority Having Jurisdiction (AHJ).

This NOA shall not be valid after the expiration date stated below. The Miami-Dade County Product Control Section (In Miami Dade County) and/or the AHJ (in areas other than Miami Dade County) reserve the right to have this product or material tested for quality assurance purposes. If this product or material fails to perform in the accepted manner, the manufacturer will incur the expense of such testing and the AHJ may immediately revoke, modify, or suspend the use of such product or material within their jurisdiction. PERA reserves the right to revoke this acceptance, if it is determined by Miami-Dade County Product Control Section that this product or material fails to meet the requirements of the applicable building code.

This product is approved as described herein, and has been designed to comply with the Florida Building Code, including the High Velocity Hurricane Zone.

DESCRIPTION: Series "IFG-5100 Resistor" Aluminum Storefront / Window Wall System – L.M.I.

APPROVAL DOCUMENT: Drawing No. **IFG5100LMI**, titled "IFG-5100 Alum. Storefront Window Wall System Large-Missile Impact Resistor", sheets 1 through 14 of 14, dated 10/24/11, with revision dated 05/29/12, prepared by Stanton Engineering, Inc., signed and sealed by Christopher Stanton, P.E., bearing the Miami-Dade County Product Control Revision stamp with the Notice of Acceptance number and expiration date by the Miami-Dade County Product Control Section.

MISSILE IMPACT RATING: Large Missile and Small Impact Resistant

LABELING: Each unit shall bear a permanent label with the manufacturer's name or logo, Medley, Florida, model/series, and following statement: "Miami-Dade County Product Control Approved", unless otherwise noted herein.

RENEWAL of this NOA shall be considered after a renewal application has been filed and there has been no change in the applicable building code negatively affecting the performance of this product.

TERMINATION of this NOA will occur after the expiration date or if there has been a revision or change in the materials, use, and/or manufacture of the product or process. Misuse of this NOA as an endorsement of any product, for sales, advertising or any other purposes shall automatically terminate this NOA. Failure to comply with any section of this NOA shall be cause for termination and removal of NOA.

ADVERTISEMENT: The NOA number preceded by the words Miami-Dade County, Florida, and followed by the expiration date may be displayed in advertising literature. If any portion of the NOA is displayed, then it shall be done in its entirety.

INSPECTION: A copy of this entire NOA shall be provided to the user by the manufacturer or its distributors and shall be available for inspection at the job site at the request of the Building Official.

This NOA revises NOA # 08-1015.08 and consists of this page 1 and evidence pages E-1 and E-2, as well as approval document mentioned above.

The submitted documentation was reviewed by **Manuel Perez, P.E.**



*J Gascon for
6/7/12*

NOA No. 11-1114.24
Expiration Date: March 11, 2014
Approval Date: June 14, 2012
Page 1

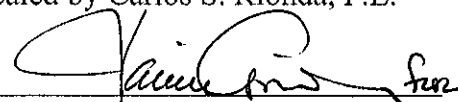
NOTICE OF ACCEPTANCE: EVIDENCE SUBMITTED

A. DRAWINGS

1. Manufacturer's die drawings and sections.
2. Drawing No. **IFG5100LMI**, titled "IFG-5100 Alum. Storefront Window Wall System Large-Missile Impact Resistor", sheets 1 through 14 of 14, dated 10/24/11, with revision dated 05/29/12, prepared by Stanton Engineering, Inc., signed and sealed by Christopher Stanton, P.E.

B. TESTS

1. Test reports on: 1) Air Infiltration Test, per FBC, TAS 202-94
2) Uniform Static Air Pressure Test, Loading per FBC TAS 202-94
3) Water Resistance Test, per FBC, TAS 202-94
4) Large Missile Impact Test per FBC, TAS 201-94
5) Cyclic Wind Pressure Loading per FBC, TAS 203-94
along with marked-up drawings and installation diagram of a series IFG 5100 aluminum storefront system, prepared by Fenestration Testing Laboratory, Inc., Test Report No. **FTL-6239**, dated 02/21/11, signed and sealed by Marlin D. Brinson, P.E.
2. Test reports on: 1) Uniform Static Air Pressure Test, Loading per FBC TAS 202-94
2) Large Missile Impact Test per FBC, TAS 201-94
3) Cyclic Wind Pressure Loading per FBC, TAS 203-94
along with marked-up drawings and installation diagram of a series IFG 5100 aluminum storefront system, prepared by Fenestration Testing Laboratory, Inc., Test Report No. **FTL-5266**, dated 11/02/07, signed and sealed by Michael Wenzel, P.E.
(Submitted under previous NOA# 08-10815.08)
3. Test reports on: 1) Uniform Static Air Pressure Test, Loading per FBC TAS 202-94
2) Large Missile Impact Test per FBC, TAS 201-94
3) Cyclic Wind Pressure Loading per FBC, TAS 203-94
along with marked-up drawings and installation diagram of a series IFG 5100 aluminum storefront system, prepared by Fenestration Testing Laboratory, Inc., Test Report No. **FTL-5267**, dated 08/03/07, signed and sealed by Michael Wenzel, P.E.
(Submitted under previous NOA# 08-10815.08)
4. Test reports on: 1) Air Infiltration Test, per FBC, TAS 202-94
2) Uniform Static Air Pressure Test, Loading per FBC TAS 202-94
3) Water Resistance Test, per FBC, TAS 202-94
4) Large Missile Impact Test per FBC, TAS 201-94
5) Cyclic Wind Pressure Loading per FBC, TAS 203-94
along with marked-up drawings and installation diagram of a series IFG 5100 aluminum storefront system, prepared by Fenestration Testing Laboratory, Inc., Test Report No. **FTL-5268**, dated 11/14/07, signed and sealed by Carlos S. Rionda, P.E.
(Submitted under previous NOA# 08-10815.08)



Manuel Perez, P.E.

Product Control Examiner

NOA No. 11-1114.24

Expiration Date: March 11, 2014

Approval Date: June 14, 2012

Trulite Glass & Aluminum Solutions, LLC

NOTICE OF ACCEPTANCE: EVIDENCE SUBMITTED

C. CALCULATIONS:

1. Anchor verification calculations and structural analysis, complying with FBC-2007 and 2010, dated 09/26/11, prepared by Stanton Engineering, Inc., signed and sealed by Christopher Stanton, P.E.
2. Glazing complies with ASTM E1300-04

D. QUALITY ASSURANCE

1. Miami-Dade Department of Permitting, Environment, and Regulatory Affairs (PERA).

E. MATERIAL CERTIFICATIONS

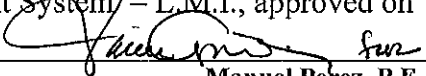
1. Notice of Acceptance No. **11-0624.02** issued to **E.I. DuPont DeNemours & Co., Inc.** for their "**DuPont SentryGlas® Interlayer**" dated 08/25/11, expiring on 01/14/17.
2. Notice of Acceptance No. **11-0624.01** issued to **E.I. DuPont DeNemours & Co., Inc.** for their "**DuPont Butacite® PVB Interlayer**" dated 09/08/11, expiring on 12/11/16.
3. Notice of Acceptance No. **08-0206.01** issued to **Solutia, Inc.** for their "**Saflex HP Glass Interlayer**" dated 04/17/08, expiring on 04/14/13.

F. STATEMENTS

1. Statement letter of conformance, complying with FBC-2007 and FBC-2010, dated 09/26/11, signed and sealed by Christopher Stanton, P.E.
2. Statement letter of no financial interest, dated 09/26/11, signed and sealed by Christopher Stanton, P.E.
3. Laboratory compliance letter for Test Reports No. **FTL-5266**, No. **FTL-5267**, and No. **FTL-5268**, issued by Fenestration Testing Laboratory, Inc.
(Submitted under previous NOA# 08-1015.08)
4. **Proposal #07-2292**, verification test for Series **IFG 5100** storefront system, issued by BCCO on March 27, 2007, signed by Ishaq Chanda, P.E.
(Submitted under previous NOA# 08-1015.08)
5. Certificate of Amendment to Certificate of Formation of Arch Aluminum & Glass, LLC aware to change its name to: **Trulite Glass & Aluminum Solutions, LLC**, issued by in State of Delaware, dated July 25, 2011, signed by Grace Kurowska, CFO, Vice President, Treasurer & Secretary.
6. Certificate of Authentication of name change to **Trulite Glass & Aluminum Solutions, LLC** issued by the Secretary of State of the State of Delaware, dated 07/27/11, signed by Jeffrey W. Bullock, Secretary of State.
7. Florida Dept of State, listing of **Trulite Glass & Aluminum Solutions, LLC** (Foreign Limited Liability Co.), managed by Arch Intermediate Holding, LLC, Tamarac, Fl.

G. OTHERS

1. Notice of Acceptance No. **08-1015.08**, issued to Arch Aluminum & Glass Company, Inc. for their Series "IFG 5100" Aluminum Storefront System – L.M.I., approved on 03/11/09 and expiring on 03/11/14.

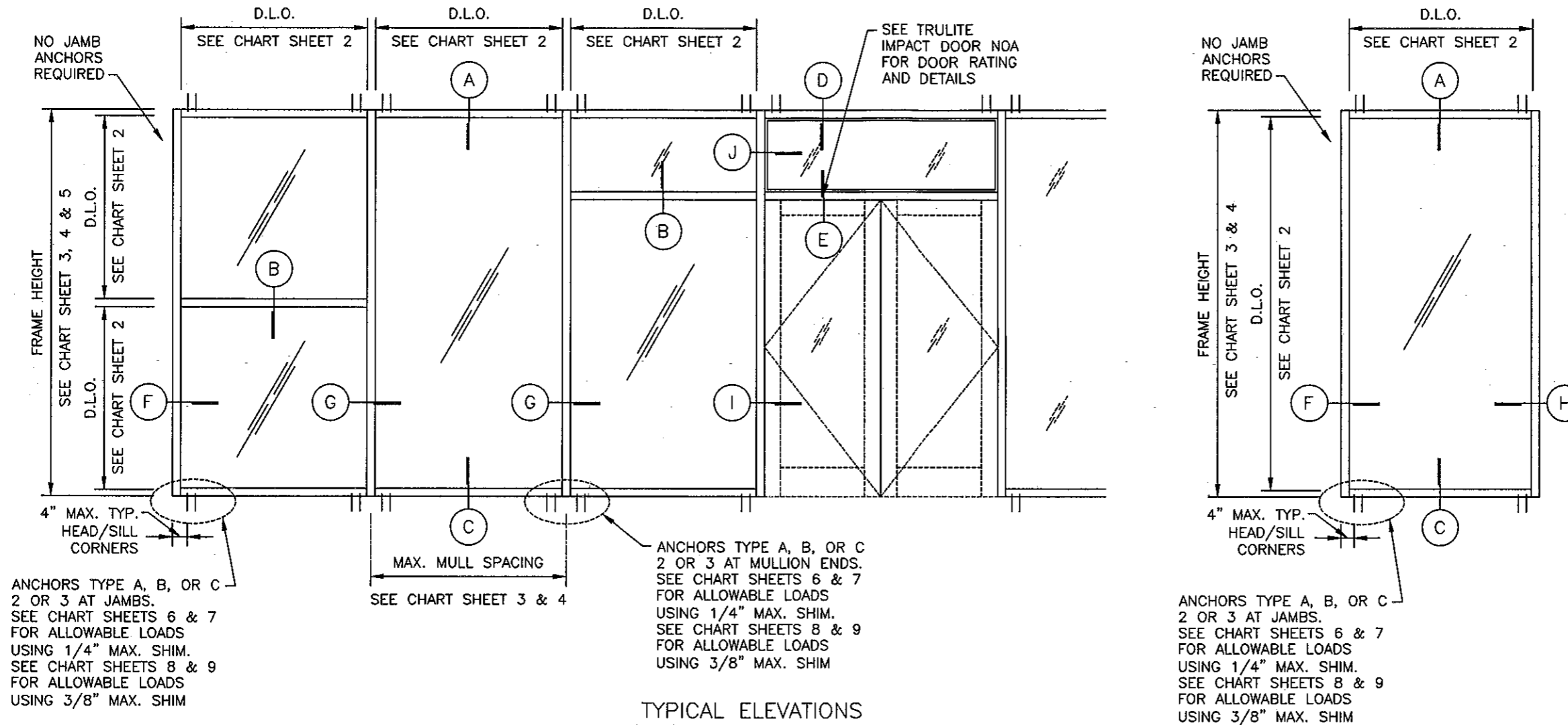

Manuel Perez, P.E.

Product Control Examiner
NOA No. 11-1114.24

Expiration Date: March 11, 2014

Approval Date: June 14, 2012

TRULITE SERIES IFG 5100 STOREFRONT SYSTEM – LARGE MISSILE IMPACT



TYPICAL ELEVATIONS

SERIES IFG 5100 STOREFRONT SYSTEM

THIS SYSTEM IS RATED FOR LARGE MISSILE IMPACT. SHUTTERS ARE NOT REQUIRED.

CODE REQUIREMENTS FOR SAFEGUARDS MUST BE OBSERVED.

THIS PRODUCT HAS BEEN DESIGNED AND TESTED TO COMPLY WITH THE REQUIREMENTS OF THE FLORIDA BUILDING CODE 2007/2010 EDITION INCLUDING HIGH VELOCITY HURRICANE ZONE.

WOOD BUCKS, BY OTHERS, MUST BE ANCHORED PROPERLY TO TRANSFER LOADS TO THE STRUCTURE.

ANCHORS SHALL BE AS LISTED AND SHOWN ON THE DETAILS. ANCHOR EMBEDMENT TO BASE MATERIAL SHALL BE BEYOND WALL DRESSING OR STUCCO.

ANCHORING OR LOADING CONDITIONS NOT SHOWN IN THESE DETAILS ARE NOT PART OF THIS APPROVAL.

A 33% INCREASE IN ALLOWABLE STRESS IS NOT USED IN THE DESIGN OF THIS SYSTEM.

ALL STEEL IN CONTACT WITH ALUMINUM TO BE PAINTED OR PLATED.

INSTRUCTIONS:

USE CHARTS AS FOLLOWS.

- STEP 1: DETERMINE DESIGN WIND LOAD REQUIREMENTS BASED ON WIND VELOCITY, BLDG. HEIGHT, WIND ZONE USING APPLICABLE ASCE 7 STANDARD.
- STEP 2: SEE CHARTS ON SHEET 2 FOR DESIGN LOAD CAPACITY OF DESIRED GLASS SIZE BASED ON APPLICABLE WIND DURATION.
- STEP 3: CHECK MULLION AND JAMB CAPACITY FOR GIVEN SPACING AND HEIGHT USING CHARTS ON SHEET 3, 4 & 5. THE CAPACITY SHOULD EXCEED THE DESIGN LOAD.
- STEP 4: USING CHART ON SHEET 6, 7, 8 & 9 SELECT ANCHOR OPTION WITH DESIGN RATING MORE THAN DESIGN LOAD SPECIFIED IN STEP 1 ABOVE.
- STEP 5: THE LOWEST VALUE RESULTING FROM STEPS 2, 3 AND 4 SHALL APPLY TO ENTIRE SYSTEM.



http://www.trulite.com

800 FAIRWAY DRIVE, Suite 200
DEERFIELD BEACH, FL 33441
p. 800-432-8132 | f. 954-724-2083

PRODUCT:

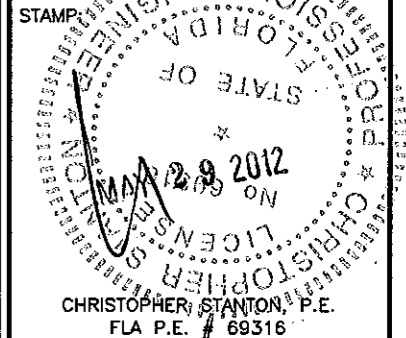
IFG-5100
ALUM. STOREFRONT
WINDOW WALL SYSTEM
LARGE-MISSILE IMPACT



REV#	DATE/REMARKS
5/29/2012	REVISED PER COMMENTS

STANTON ENGINEERING, INC.
STRUCTURAL ENGINEERING SERVICES

2701 NW BOCA RATON BLVD.
SUITE 115
BOCA RATON, FL 33431
TEL: (561) 393-1003
FAX: (561) 393-1008



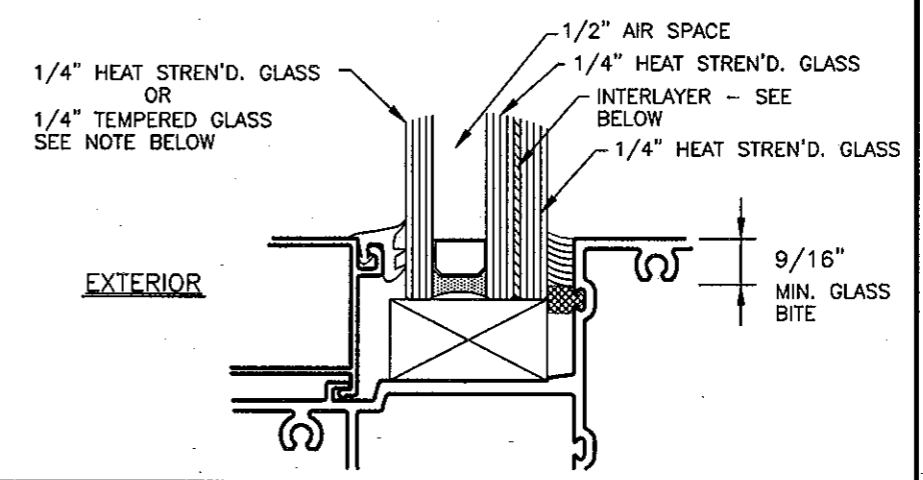
PRODUCT CONTROL APPROVAL:

PRODUCT REVISED
as complying with the Florida Building Code
Acceptance No. 11-1114-24
Expiration Date 3/11/2014
By: [Signature]
Miami Dade Product Control

DRAWN: TRULITE
DATE: 10.24.11
DWG: IFG5100LMI

DRAWING No:
1 OF 14

TYPICAL GLAZING DETAIL



GLAZING LOAD CAPACITY (PSF)			
NOMINAL DIMS.		GLASS TYPE "A"	GLASS TYPE "B"
D.L.O. WIDTH	D.L.O. HEIGHT	EXT. (+) INT. (-)	EXT. (+) INT. (-)
≤30"	67"	100.0	100.0
36"		100.0	100.0
40"		100.0	80.0
45"		100.0	80.0
51"		100.0	80.0
56"		80.0	80.0
≤30"	79"	100.0	100.0
36"		100.0	80.0
40"		100.0	80.0
45"		100.0	80.0
48"		80.0	80.0
≤24"	91"	100.0	100.0
30"		100.0	80.0
36"		100.0	80.0
42"		80.0	80.0
≤24"	103"	100.0	100.0
30"		100.0	80.0
36"		80.0	80.0
≤18"	115"	100.0	100.0
24"		100.0	80.0
30"		100.0	80.0
33"		80.0	80.0
≤18"	127"	100.0	100.0
24"		100.0	80.0
30"		80.0	80.0
≤18"	139"	100.0	100.0
24"		100.0	80.0
27.5"		80.0	80.0

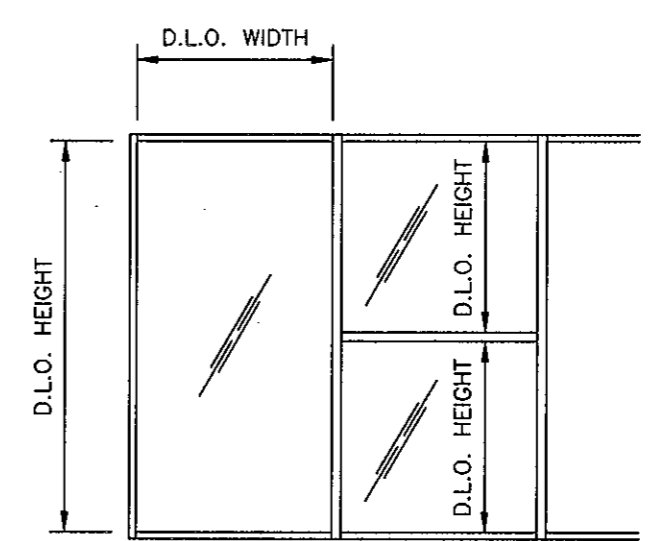
GLAZING LOAD CAPACITY (PSF)			
NOMINAL DIMS.		GLASS TYPE "C"	GLASS TYPE "D"
D.L.O. WIDTH	D.L.O. HEIGHT	EXT. (+) INT. (-)	EXT. (+) INT. (-)
≤30"	67"	80.0	80.0
36"		80.0	80.0
40"		80.0	80.0
45"		80.0	80.0
51"		80.0	80.0
57.5"		55.0	80.0
≤30"	79"	80.0	80.0
36"		80.0	80.0
40"		80.0	80.0
45"		55.0	55.0
51"		55.0	55.0
57.5"	55.0	55.0	
≤30"	91"	80.0	80.0
36"		80.0	80.0
40"		80.0	80.0
45"		55.0	55.0
51"		55.0	55.0
57.5"	55.0	55.0	
≤30"	103"	80.0	80.0
36"		80.0	80.0
40"		55.0	55.0
45"		55.0	55.0
51"		55.0	55.0
57.5"	55.0	55.0	

GLAZING LOAD CAPACITY (PSF)			
NOMINAL DIMS.		GLASS TYPE "C"	GLASS TYPE "D"
D.L.O. WIDTH	D.L.O. HEIGHT	EXT. (+) INT. (-)	EXT. (+) INT. (-)
≤30"	114.5"	80.0	80.0
36"		55.0	55.0
40"		55.0	55.0
45"		55.0	55.0
51"		55.0	55.0
57.5"		55.0	55.0
≤30"	127"	80.0	-
≤27.5"	139"	80.0	-

NOTE:
IN ORDER TO COMPLY WITH FBC SECTION 2411.4 "GLAZED PANEL SAFEGUARDS" THE OUTBOARD LITE MUST BE TEMPERED AND COMPLY WITH FED. STD. 16 CFR 1201 WHERE REQUIRED. i.e. GLASS LITES AT GROUND LEVEL AND NEXT TO DOORS.

NOTE:
GLASS CHECKED PER ASTM E1300 AND TESTING

- GLASS TYPES**
- "A" - .100" SENTRYGLAS PLUS INTERLAYER BY DUPONT
 - "B" - .100" PVB INTERLAYER SAFLEX HP BY MONSANTO
 - "C" - .090" SENTRYGLAS PLUS INTERLAYER BY DUPONT
 - "D" - .090" PVB INTERLAYER BY DUPONT



STEP 2: GLASS OPTION

PRODUCT:
IFG-5100
ALUM. STOREFRONT WINDOW WALL SYSTEM
LARGE-MISSILE IMPACT

Resistor
BLAST & STORM PROTECTION™

REV#	DATE/REMARKS
5/29/2012	REVISED PER COMMENTS

STANTON ENGINEERING, INC.
STRUCTURAL ENGINEERING SERVICES
2701 NW BOCA RATON BLVD. SUITE 115
BOCA RATON, FL 33431
TEL: (561) 393-1003
FAX: (561) 393-1008

STAMP: STATE OF FLORIDA
MAY 29 2012
CHRISTOPHER STANTON, P.E.
FLA P.E. # 69316

PRODUCT CONTROL APPROVAL:
PRODUCT REVISED as complying with the Florida Building Code
Acceptance No 11-1114.24
Expiration Date 3/11/2014
By: *[Signature]*
Miami Dade Product Control

DRAWN: TRULITE	DRAWING No:
DATE: 10.24.11	2 OF 14
DWG: IFGS100LMI	

PRODUCT:

IFG-5100

ALUM. STOREFRONT
WINDOW WALL SYSTEM
LARGE-MISSILE IMPACT



REVN	DATE/REMARKS
5/29/2012	REVISED PER COMMENTS

--	--

--	--

--	--

--	--

--	--

--	--

--	--

--	--

--	--

--	--

--	--

--	--

--	--

--	--

--	--

--	--

--	--

--	--

--	--

--	--

--	--

--	--

--	--

--	--

--	--

--	--

--	--

--	--

--	--

--	--

--	--

--	--

--	--

--	--

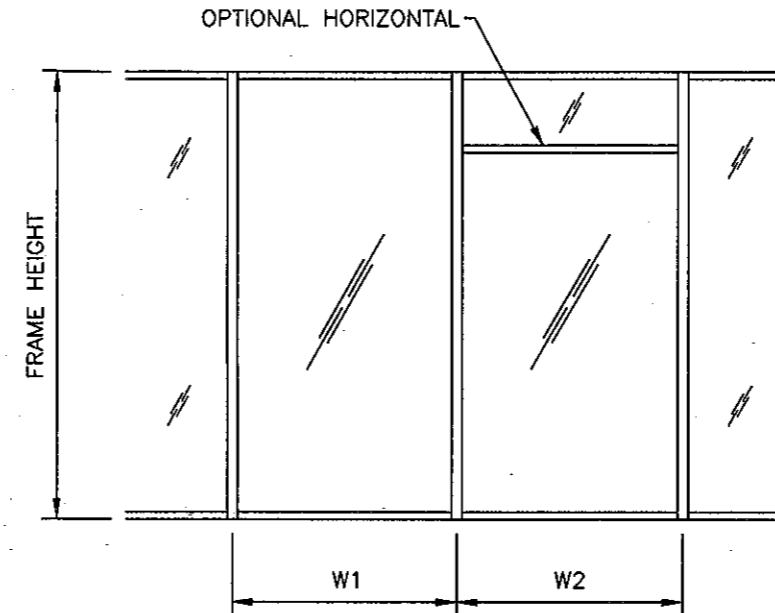
--	--

--	--

--	--

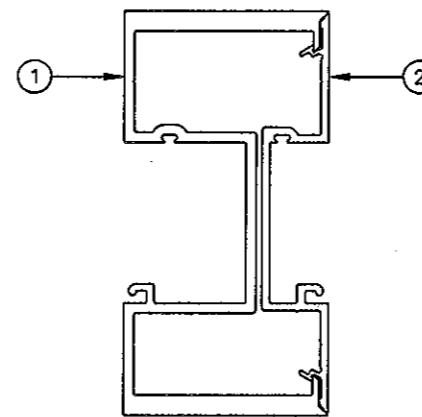
MULLION LOAD CAPACITY - PSF 51501/51506 MULLION			MULLION LOAD CAPACITY - PSF 51501/51506 MULLION			
NOMINAL DIMS.		MAX. Pd	NOMINAL DIMS.		MAX. Pd	
WIDTH (W)	FRAME HEIGHT	EXT. (+) INT. (-)	WIDTH (W)	FRAME HEIGHT	EXT. (+) INT. (-)	
≤24"	60"	100.0	24"	108"	80.0	
30"		100.0	30"		80.0	
36"		100.0	36"		80.0	
42"		100.0	42"		55.0	
48"		100.0	48"		55.0	
54"		100.0	54"		55.0	
60"	100.0	60"	55.0			
24"	72"	100.0	24"	120"	80.0	
30"		100.0	30"		80.0	
36"		100.0	36"		80.0	
42"		100.0	42"		55.0	
48"		100.0	48"		55.0	
54"		100.0	54"		55.0	
60"	80.0	60"	55.0			
24"	84"	100.0	24"	132"	80.0	
30"		100.0	30"		80.0	
36"		100.0	32"		80.0	
42"		100.0	24"		144"	80.0
48"		100.0	28"			68.6
54"		55.0	30"		64.0	
60"	55.0					
24"	96"	80.0				
30"		80.0				
36"		80.0				
42"		80.0				
48"		55.0				
54"		55.0				
60"	55.0					

TYPICAL ELEVATION



$$\text{WIDTH (W)} = \frac{W1 + W2}{2}$$

TYPICAL MULLION



51501/51506

STEP 3A: MULLION LOAD CAPACITY

DRAWN: TRULITE

DRAWING No:

DATE: 10.24.11

3 OF 14

DWG: IFG5100LMI

PRODUCT REVISED
as complying with the Florida
Building Code
Acceptance No 11-1114-24
Expiration Date 3/11/2014
[Signature]
Miami Dade Product Control

DRAWN: TRULITE

DRAWING No:

DATE: 10.24.11

3 OF 14

DWG: IFG5100LMI

DRAWN: TRULITE

DRAWING No:

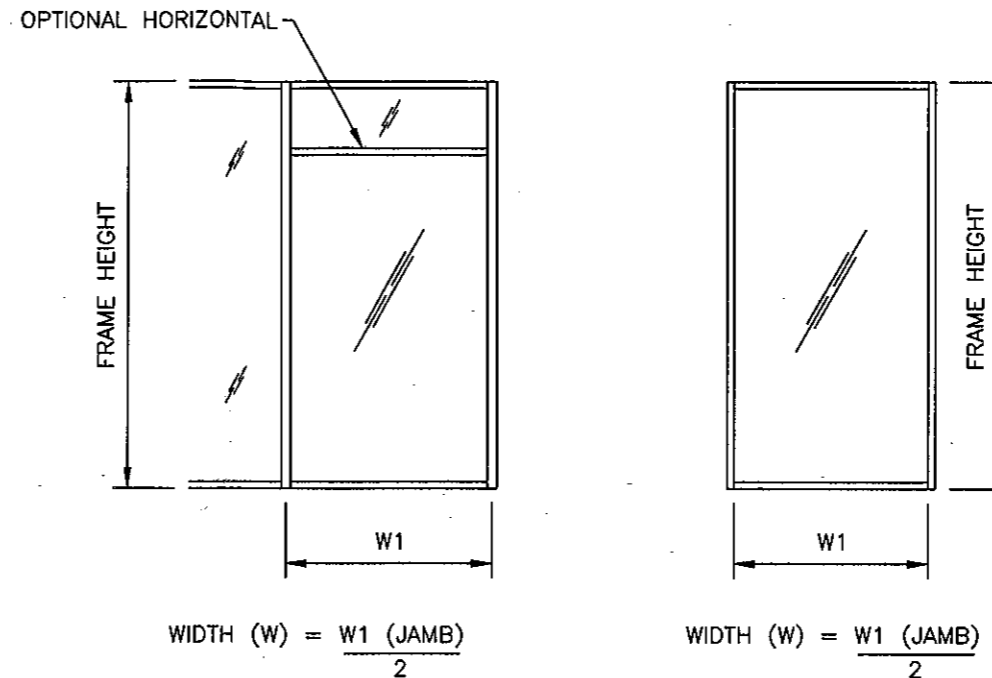
DATE: 10.24.11

3 OF 14

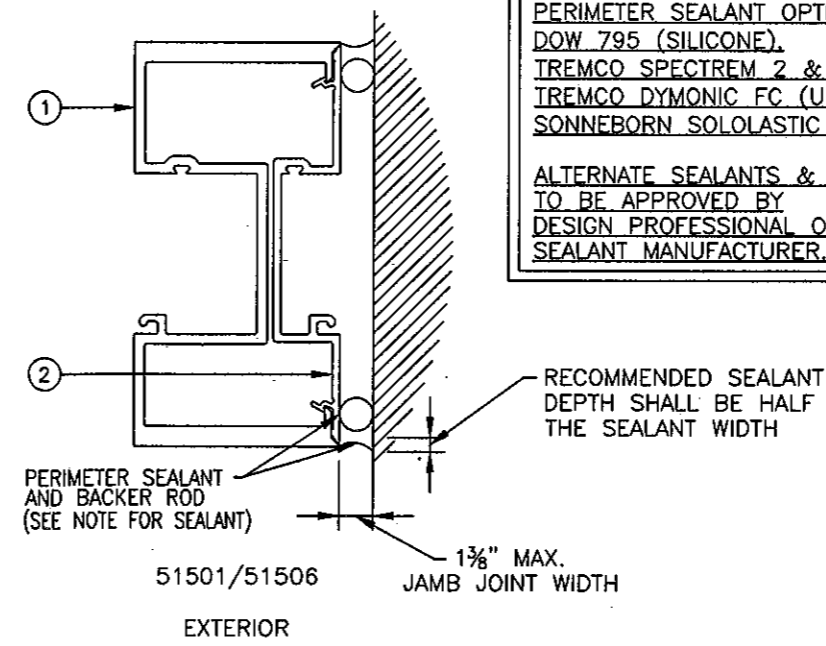
DWG: IFG5100LMI

JAMB LOAD CAPACITY - PSF 51501/51506 JAMB			JAMB LOAD CAPACITY - PSF 51501/51506 JAMB		
NOMINAL DIMS.		MAX. Pd	NOMINAL DIMS.		MAX. Pd
WIDTH (W)	FRAME HEIGHT	EXT. (+) INT. (-)	WIDTH (W)	FRAME HEIGHT	EXT. (+) INT. (-)
≤12"	60"	100.0	12"	108"	80.0
15"		100.0	15"		80.0
18"		100.0	18"		80.0
21"		100.0	21"		55.0
24"		100.0	24"		55.0
27"		100.0	27"		55.0
30"		100.0	30"		55.0
12"	72"	100.0	12"	120"	80.0
15"		100.0	15"		80.0
18"		100.0	18"		80.0
21"		100.0	21"		55.0
24"		100.0	24"		55.0
27"		100.0	27"		55.0
30"		80.0	30"		55.0
12"	84"	100.0	12"	132"	80.0
15"		100.0	15"		80.0
18"		100.0	18"		80.0
21"		100.0	12"		80.0
24"		100.0	15"		80.0
27"		55.0			
30"		55.0			
12"	96"	80.0		144"	80.0
15"		80.0			80.0
18"		80.0			80.0
21"		80.0			80.0
24"		55.0			80.0
27"		55.0			80.0
30"		55.0			80.0

TYPICAL ELEVATION



TYPICAL JAMB



SEALANT NOTES:

PERIMETER SEALANT OPTIONS:
 DOW 795 (SILICONE)
 TREMCO SPECTREM 2 & 3 (SILICONE)
 TREMCO DYMONIC FC (URETHANE)
 SONNEBORN SOLOLASTIC 150 (ELASTOMERIC)

ALTERNATE SEALANTS & ALTERNATE JAMB GAPS:
 TO BE APPROVED BY
 DESIGN PROFESSIONAL OF RECORD AND
 SEALANT MANUFACTURER.

PRODUCT:

IFG-5100
 ALUM. STOREFRONT
 WINDOW WALL SYSTEM
 LARGE-MISSILE IMPACT

Resistor
 BLAST & STORM PROTECTION™

REVN	DATE/REMARKS
5/28/2012	REVISED PER COMMENTS

STANTON ENGINEERING, INC. STRUCTURAL ENGINEERING SERVICES

2701 NW BOCA RATON BLVD.
 SUITE 115
 BOCA RATON, FL 33431
 TEL: (561) 393-1003
 FAX: (561) 393-1008

STAMP: STATE OF FLORIDA PROFESSIONAL ENGINEER
 CHRISTOPHER STANTON, P.E.
 FLA P.E. # 69316

PRODUCT CONTROL APPROVAL:

PRODUCT REVISED
 as complying with the Florida
 Building Code
 Acceptance No. 11-1114.24
 Expiration Date 3/11/2014
 By: [Signature]
 Miami Dade Product Control

DRAWN: TRULITE
 DATE: 10.24.11
 DWG: IFG5100LMI

DRAWING No:
4 OF 14

STEP 3B: MULLION JAMB CAPACITY

UN-REINFORCED

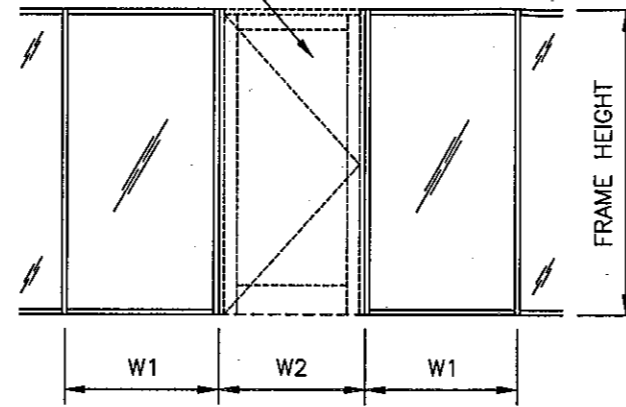
DOOR JAMB LOAD CAPACITY - PSF 51501/51506 JAMB		
NOMINAL DIMS.		MAX. Pd
WIDTH (W)	FRAME HEIGHT	EXT. (+) INT. (-)
≤24"	84"	80.0
30"		80.0
36"		80.0
42"		80.0
48"		80.0
54"		80.0
60"		80.0
66"		80.0
72"	80.0	80.0
24"	96"	80.0
30"		80.0
36"		80.0
42"		80.0
48"		80.0
54"		80.0
60"		80.0
66"		80.0
72"	80.0	80.0
24"	108"	80.0
30"		80.0
36"		80.0
42"		80.0
48"		80.0
54"		80.0
60"	72.0	80.0
24"	120"	80.0
30"		80.0
36"		80.0
42"		76.2
48"		66.7
54"		59.3
60"	53.3	80.0

REINFORCED

DOOR JAMB LOAD CAPACITY - PSF 51501/51506 JAMB		
NOMINAL DIMS.		MAX. Pd
WIDTH (W)	FRAME HEIGHT	EXT. (+) INT. (-)
24"	84"	80.0
30"		80.0
36"		80.0
42"		80.0
48"		80.0
54"		80.0
60"		80.0
66"		80.0
72"	80.0	80.0
24"	96"	80.0
30"		80.0
36"		80.0
42"		80.0
48"		80.0
54"		80.0
60"		80.0
66"		80.0
72"	80.0	80.0
24"	108"	80.0
30"		80.0
36"		80.0
42"		80.0
48"		80.0
54"		80.0
60"	80.0	80.0
24"	120"	80.0
30"		80.0
36"		80.0
42"		80.0
48"		80.0
54"		80.0
60"	80.0	80.0

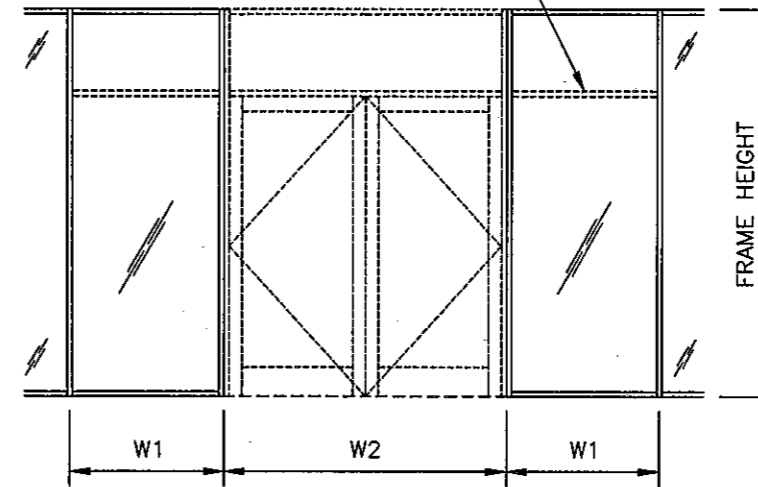
TYPICAL ELEVATION

"TRULITE" DOORS
SEE SEPARATE NOA



WIDTH (W) = $\frac{W1 + W2}{2}$ (MULLION)
 WIDTH (W) = $\frac{W1}{2}$ (JAMB)

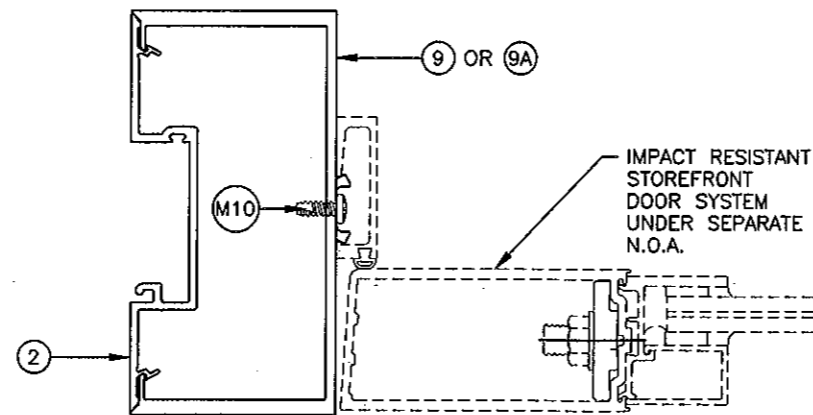
OPTIONAL HORIZONTAL



WIDTH (W) = $\frac{W1 + W2}{2}$ (MULLION)
 WIDTH (W) = $\frac{W1}{2}$ (JAMB)

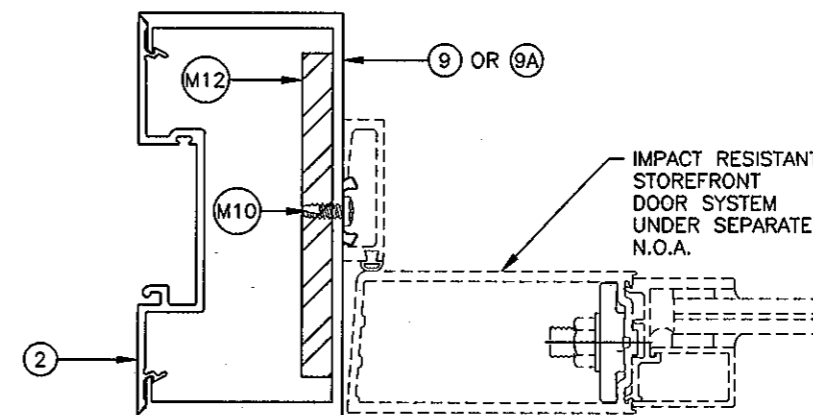
TYPICAL DOOR JAMB

UN-REINFORCED



51506/50512

REINFORCED



51506/50512 WITH
 3/8" x 4" FLAT STEEL
 REINFORCING ATTACH W/#12-24 x 1" LONG
 S.S. SCREWS AT 10" O.C.



http://www.trulite.com

800 FAIRWAY DRIVE, Suite 200
 DEERFIELD BEACH, FL 33441
 p. 800-432-8132 | f. 954-724-2083

PRODUCT:

IFG-5100
 ALUM. STOREFRONT
 WINDOW WALL SYSTEM
 LARGE-MISSILE IMPACT



REVN DATE/REMARKS

5/29/2012 REVISED PER COMMENTS

STANTON ENGINEERING, INC.
 STRUCTURAL ENGINEERING SERVICES

2701 NW BOCA RATON BLVD.
 SUITE 115
 BOCA RATON, FL 33431
 TEL: (561) 393-1003
 FAX: (561) 393-1008

STAMP: PROFESSIONAL ENGINEER
 STATE OF FLORIDA
 LICENSE NO. 68199
 MAY 29 2012
 CHRISTOPHER STANTON, P.E.
 FLA P.E. # 69316

PRODUCT CONTROL APPROVAL:

PRODUCT REVISED
 as complying with the Florida
 Building Code
 Acceptance No. 11-1114.24
 Expiration Date 3/11/2014
 Miami Dade Product Control

DRAWN: TRULITE

DRAWING No:

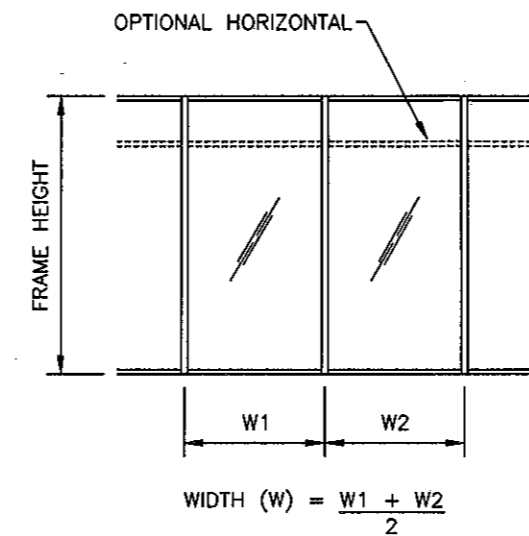
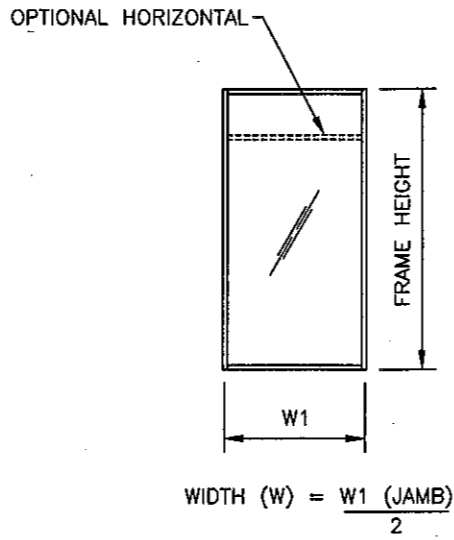
DATE: 10.24.11

5 OF 14

DWG: IFG5100LMI

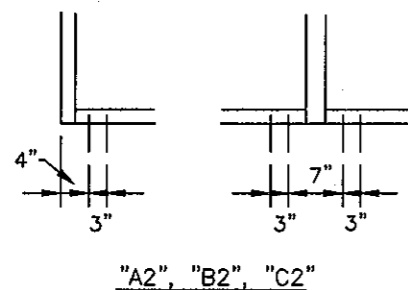
STEP 3C: DOOR JAMB CAPACITY

MULLION AND JAMB ANCHOR LOAD CAPACITY (PSF) FOR 1/4" MAX. SHIM SPACE									
NOMINAL DIMS.		ANCHOR TYPE			NOMINAL DIMS.		ANCHOR TYPE		
WIDTH (W)	FRAME HEIGHT	EXT. (+) INT. (-)	EXT. (+) INT. (-)	EXT. (+) INT. (-)	WIDTH (W)	FRAME HEIGHT	EXT. (+) INT. (-)	EXT. (+) INT. (-)	EXT. (+) INT. (-)
≤24"	72"	100.0	100.0	100.0	24"	108"	80.0	80.0	80.0
30"		100.0	100.0	100.0	30"		80.0	80.0	80.0
36"		100.0	100.0	100.0	36"		80.0	80.0	80.0
42"		100.0	100.0	100.0	42"		55.0	55.0	55.0
48"		100.0	100.0	100.0	48"		55.0	55.0	55.0
54"		100.0	100.0	100.0	54"		55.0	55.0	55.0
60"		80.0	80.0	80.0	60"		55.0	55.0	55.0
66"		55.0	55.0	55.0	66"		55.0	55.0	55.0
72"		55.0	55.0	55.0	72"		55.0	55.0	55.0
24"		84"	100.0	100.0	100.0		24"	114"	80.0
30"	100.0		100.0	100.0	30"	80.0	80.0		80.0
36"	100.0		100.0	100.0	36"	80.0	80.0		80.0
42"	100.0		100.0	100.0	42"	55.0	55.0		55.0
48"	100.0		100.0	97.0	48"	55.0	55.0		55.0
54"	55.0		55.0	55.0	54"	55.0	55.0		55.0
60"	55.0		55.0	55.0	60"	55.0	55.0		55.0
66"	55.0		55.0	55.0	66"	55.0	55.0		55.0
72"	55.0		55.0	55.0	72"	55.0	55.0		55.0
24"	96"		80.0	80.0	80.0	24"	120"		80.0
30"		80.0	80.0	80.0	30"	80.0		80.0	80.0
36"		80.0	80.0	80.0	36"	80.0		80.0	80.0
42"		80.0	80.0	80.0	42"	55.0		55.0	55.0
48"		55.0	55.0	55.0	48"	55.0		55.0	55.0
54"		55.0	55.0	55.0	54"	55.0		55.0	55.0
60"		55.0	55.0	55.0	60"	55.0		55.0	55.0
66"		55.0	55.0	55.0	66"	55.0		55.0	55.0
72"		55.0	55.0	55.0	72"	55.0		55.0	55.0
24"		108"	80.0	80.0	80.0	24"		144"	80.0
30"	80.0		80.0	80.0	30"	80.0	80.0		80.0
36"	80.0		80.0	80.0	36"	80.0	80.0		80.0
42"	80.0		80.0	80.0	42"	80.0	80.0		80.0
48"	55.0		55.0	55.0	48"	80.0	80.0		80.0
54"	55.0		55.0	55.0	54"	80.0	80.0		80.0
60"	55.0		55.0	55.0	60"	80.0	80.0		80.0
66"	55.0		55.0	55.0	66"	80.0	80.0		80.0
72"	55.0		55.0	55.0	72"	80.0	80.0		80.0



MULLION AND JAMB ANCHOR LOAD CAPACITY (PSF) FOR 1/4" MAX. SHIM SPACE									
NOMINAL DIMS.		ANCHOR TYPE			NOMINAL DIMS.		ANCHOR TYPE		
WIDTH (W)	FRAME HEIGHT	EXT. (+) INT. (-)	EXT. (+) INT. (-)	EXT. (+) INT. (-)	WIDTH (W)	FRAME HEIGHT	EXT. (+) INT. (-)	EXT. (+) INT. (-)	EXT. (+) INT. (-)
≤24"	72"	100.0	100.0	100.0	24"	108"	80.0	80.0	80.0
30"		100.0	100.0	100.0	30"		80.0	80.0	80.0
36"		100.0	100.0	100.0	36"		80.0	80.0	80.0
42"		100.0	100.0	100.0	42"		55.0	55.0	55.0
48"		100.0	100.0	100.0	48"		55.0	55.0	55.0
54"		100.0	100.0	100.0	54"		55.0	55.0	55.0
60"		80.0	80.0	80.0	60"		55.0	55.0	55.0
66"		55.0	55.0	55.0	66"		55.0	55.0	55.0
72"		55.0	55.0	55.0	72"		55.0	55.0	55.0
24"		84"	100.0	100.0	100.0		24"	114"	80.0
30"	100.0		100.0	100.0	30"	80.0	80.0		80.0
36"	100.0		100.0	100.0	36"	80.0	80.0		80.0
42"	100.0		100.0	100.0	42"	55.0	55.0		55.0
48"	100.0		100.0	100.0	48"	55.0	55.0		55.0
54"	55.0		55.0	55.0	54"	55.0	55.0		55.0
60"	55.0		55.0	55.0	60"	55.0	55.0		55.0
66"	55.0		55.0	55.0	66"	55.0	55.0		55.0
72"	55.0		55.0	55.0	72"	55.0	55.0		55.0
24"	96"		80.0	80.0	80.0	24"	120"		80.0
30"		80.0	80.0	80.0	30"	80.0		80.0	80.0
36"		80.0	80.0	80.0	36"	80.0		80.0	80.0
42"		80.0	80.0	80.0	42"	55.0		55.0	55.0
48"		55.0	55.0	55.0	48"	55.0		55.0	55.0
54"		55.0	55.0	55.0	54"	55.0		55.0	55.0
60"		55.0	55.0	55.0	60"	55.0		55.0	55.0
66"		55.0	55.0	55.0	66"	55.0		55.0	55.0
72"		55.0	55.0	55.0	72"	55.0		55.0	55.0

TYPICAL ANCHOR CLUSTERS

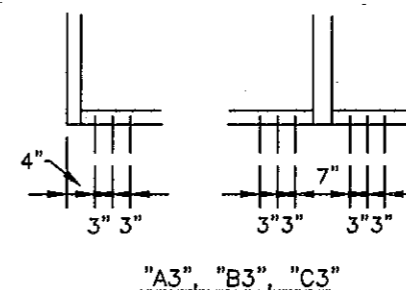


ANCHOR TYPES: SEE SHEET 11 FOR DESCRIPTION

- "A2" - (2) ANCHORS TYPE "A" AT EA. SIDE OF MULLION OR JAMB
- "B2" - (2) ANCHORS TYPE "B" AT EA. SIDE OF MULLION OR JAMB
- "C2" - (2) ANCHORS TYPE "C" AT EA. SIDE OF MULLION OR JAMB
- "A3" - (3) ANCHORS TYPE "A" AT EA. SIDE OF MULLION OR JAMB
- "B3" - (3) ANCHORS TYPE "B" AT EA. SIDE OF MULLION OR JAMB
- "C3" - (3) ANCHORS TYPE "C" AT EA. SIDE OF MULLION OR JAMB

ALL OTHER ANCHORS TO BE SPACED AS PER ELEVATION

TYPICAL ANCHOR CLUSTERS



STEP 4: ANCHOR LOAD CAPACITY AT 1/4" MAX. SHIM SPACE.



GLASS & ALUMINUM SOLUTIONS™

http://www.trulite.com

800 FAIRWAY DRIVE, Suite 200
DEERFIELD BEACH, FL 33441
p. 800-432-8132 | f. 954-724-2083

PRODUCT:

IFG-5100
ALUM. STOREFRONT
WINDOW WALL SYSTEM
LARGE-MISSILE IMPACT



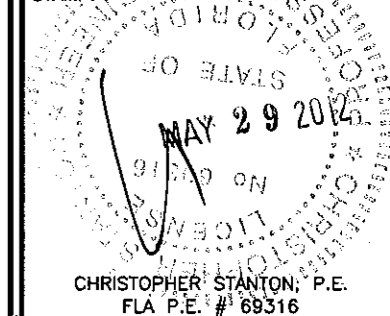
REVN DATE/REMARKS

5/29/2012 REVISED PER COMMENTS

STANTON ENGINEERING, INC.
STRUCTURAL ENGINEERING SERVICES

2701 NW BOCA RATON BLVD.
SUITE 115
BOCA RATON, FL 33431
TEL: (561) 393-1003
FAX: (561) 393-1008

STAMP:



PRODUCT CONTROL APPROVAL:

PRODUCT REVISED as complying with the Florida Building Code
Acceptance No. 11-1114.24
Expiration Date 3/11/2014

By *Christopher Stanton*
Miami Dade Product Control

DRAWN: TRULITE

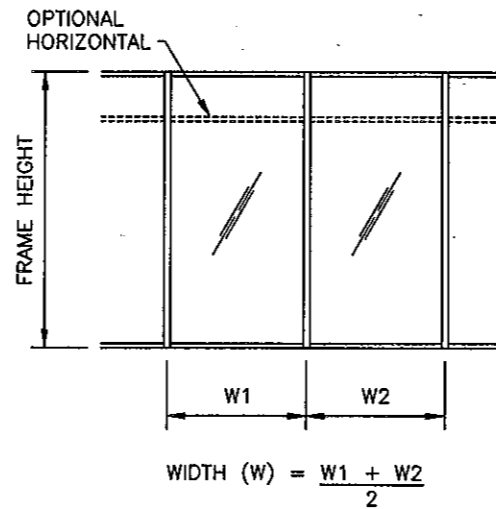
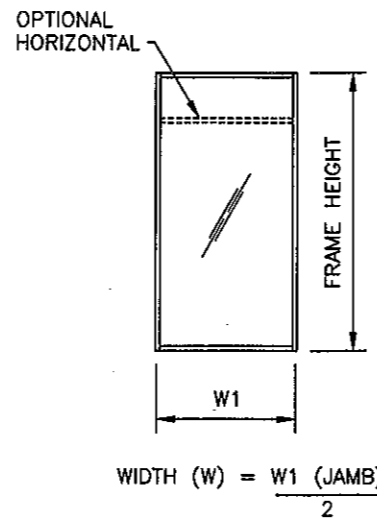
DATE: 10.24.11

DWG: IFG5100LMI

DRAWING No:

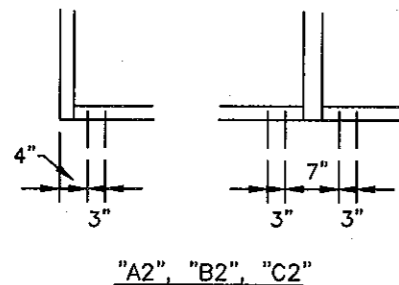
6 OF 14

NOMINAL DIMS.		ANCHOR TYPE			NOMINAL DIMS.		ANCHOR TYPE		
WIDTH (W)	FRAME HEIGHT	EXT. (+) INT. (-)	EXT. (+) INT. (-)	EXT. (+) INT. (-)	WIDTH (W)	FRAME HEIGHT	EXT. (+) INT. (-)	EXT. (+) INT. (-)	EXT. (+) INT. (-)
≤24"	72"	100.0	100.0	100.0	24"	108"	80.0	80.0	80.0
30"		100.0	100.0	100.0	30"		80.0	80.0	80.0
36"		100.0	100.0	100.0	36"		80.0	80.0	80.0
42"		100.0	100.0	100.0	42"		55.0	55.0	55.0
48"		94.0	94.0	94.0	48"		55.0	55.0	55.0
54"		84.0	84.0	84.0	54"		55.0	55.0	55.0
60"		75.0	75.0	75.0	60"		50.0	50.0	50.0
66"		55.0	55.0	55.0	66"		46.0	46.0	46.0
72"	55.0	55.0	55.0	24"	114"	80.0	80.0	80.0	
24"	100.0	100.0	100.0	30"		80.0	80.0	80.0	
30"	100.0	100.0	100.0	36"		79.0	79.0	79.0	
36"	100.0	100.0	100.0	42"		55.0	55.0	55.0	
42"	92.0	92.0	92.0	48"		55.0	55.0	55.0	
48"	81.0	81.0	81.0	54"		53.0	53.0	53.0	
54"	55.0	55.0	55.0	60"		47.0	47.0	47.0	
60"	55.0	55.0	55.0	24"		120"	80.0	80.0	80.0
66"	55.0	55.0	55.0	30"	80.0		80.0	80.0	
72"	54.0	54.0	54.0	36"	75.0		75.0	75.0	
24"	80.0	80.0	80.0	42"	55.0		55.0	55.0	
30"	80.0	80.0	80.0	48"	55.0		55.0	55.0	
36"	80.0	80.0	80.0	54"	50.0		50.0	50.0	
42"	80.0	80.0	80.0	60"	45.0		45.0	45.0	
48"	55.0	55.0	55.0	24"	132"		80.0	80.0	80.0
54"	55.0	55.0	55.0	32"		77.0	77.0	77.0	
60"	55.0	55.0	55.0	24"		144"	80.0	80.0	80.0
66"	51.0	51.0	51.0	30"			75.0	75.0	75.0
72"	47.0	47.0	47.0						



NOMINAL DIMS.		ANCHOR TYPE			NOMINAL DIMS.		ANCHOR TYPE		
WIDTH (W)	FRAME HEIGHT	EXT. (+) INT. (-)	EXT. (+) INT. (-)	EXT. (+) INT. (-)	WIDTH (W)	FRAME HEIGHT	EXT. (+) INT. (-)	EXT. (+) INT. (-)	EXT. (+) INT. (-)
≤24"	72"	100.0	100.0	100.0	24"	108"	80.0	80.0	80.0
30"		100.0	100.0	100.0	30"		80.0	80.0	80.0
36"		100.0	100.0	100.0	36"		80.0	80.0	80.0
42"		100.0	100.0	100.0	42"		55.0	55.0	55.0
48"		100.0	100.0	100.0	48"		55.0	55.0	55.0
54"		100.0	100.0	100.0	54"		55.0	55.0	55.0
60"		80.0	80.0	80.0	60"		55.0	55.0	55.0
66"		55.0	55.0	55.0	66"		55.0	55.0	55.0
72"	55.0	55.0	55.0	24"	114"	80.0	80.0	80.0	
24"	100.0	100.0	100.0	30"		80.0	80.0	80.0	
30"	100.0	100.0	100.0	36"		80.0	80.0	80.0	
36"	100.0	100.0	100.0	42"		55.0	55.0	55.0	
42"	100.0	100.0	100.0	48"		55.0	55.0	55.0	
48"	100.0	100.0	100.0	54"		55.0	55.0	55.0	
54"	55.0	55.0	55.0	60"		55.0	55.0	55.0	
60"	55.0	55.0	55.0	24"		120"	80.0	80.0	80.0
66"	55.0	55.0	55.0	30"	80.0		80.0	80.0	
72"	55.0	55.0	55.0	36"	80.0		80.0	80.0	
24"	80.0	80.0	80.0	42"	55.0		55.0	55.0	
30"	80.0	80.0	80.0	48"	55.0		55.0	55.0	
36"	80.0	80.0	80.0	54"	55.0		55.0	55.0	
42"	80.0	80.0	80.0	60"	55.0		55.0	55.0	
48"	55.0	55.0	55.0	24"	132"		80.0	80.0	80.0
54"	55.0	55.0	55.0	32"		80.0	80.0	80.0	
60"	55.0	55.0	55.0	24"		144"	80.0	80.0	80.0
66"	55.0	55.0	55.0	30"			80.0	80.0	80.0
72"	55.0	55.0	55.0						

TYPICAL ANCHOR CLUSTERS

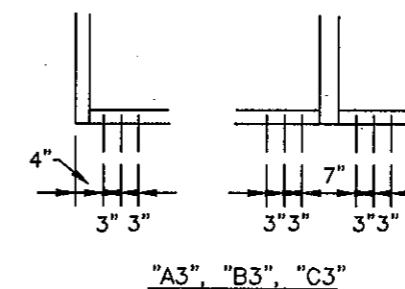


ANCHOR TYPES: SEE SHEET 11 FOR DESCRIPTION

- "A2" - (2) ANCHORS TYPE "A" AT EA. SIDE OF MULLION OR JAMB
- "B2" - (2) ANCHORS TYPE "B" AT EA. SIDE OF MULLION OR JAMB
- "C2" - (2) ANCHORS TYPE "C" AT EA. SIDE OF MULLION OR JAMB
- "A3" - (3) ANCHORS TYPE "A" AT EA. SIDE OF MULLION OR JAMB
- "B3" - (3) ANCHORS TYPE "B" AT EA. SIDE OF MULLION OR JAMB
- "C3" - (3) ANCHORS TYPE "C" AT EA. SIDE OF MULLION OR JAMB

ALL OTHER ANCHORS TO BE SPACED AS PER ELEVATION

TYPICAL ANCHOR CLUSTERS



STEP 4: ANCHOR LOAD CAPACITY
AT 3/8" MAX. SHIM SPACE.

PRODUCT:

IFG-5100
ALUM. STOREFRONT
WINDOW WALL SYSTEM
LARGE-MISSILE IMPACT

Resistor
BLAST & STORM PROTECTION™

REV#	DATE/REMARKS
5/29/2012	REVISED PER COMMENTS

STANTON
ENGINEERING, INC.
STRUCTURAL ENGINEERING
SERVICES
2701 NW BOCA RATON BLVD.
SUITE 115
BOCA RATON, FL 33431
TEL: (561) 393-1003
FAX: (561) 393-1008

STAMP
STATE OF FLORIDA
PROFESSIONAL ENGINEER
CHRISTOPHER STANTON, P.E.
FLA. P.E. # 69316

PRODUCT CONTROL APPROVAL:

PRODUCT REVISED
as complying with the Florida
Building Code
Acceptance No. 11-1114.24
Expiration Date 3/11/2014
Product Control

DRAWN: TRULITE
DATE: 10.24.11
DWG: IFG5100LMI

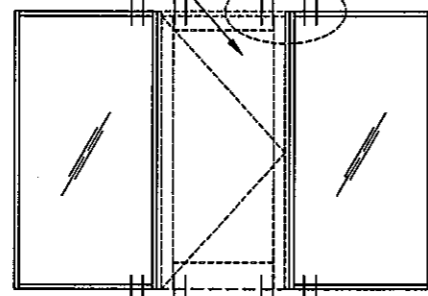
DRAWING No:
7 OF 14

DOOR JAMB ANCHOR LOAD CAPACITY (PSF) FOR 1/4" MAX. SHIM SPACE

NOMINAL DIMS.		ANCHOR TYPE			
WIDTH (W)	FRAME HEIGHT	"A2" EXT. (+) INT. (-)	"B2" EXT. (+) INT. (-)	"C2" EXT. (+) INT. (-)	
≤24"	84"	80.0	80.0	80.0	
30"		80.0	80.0	80.0	
36"		80.0	80.0	80.0	
42"		80.0	80.0	80.0	
48"		80.0	80.0	80.0	
54"		80.0	80.0	80.0	
60"		80.0	80.0	78.0	
66"		80.0	80.0	71.0	
72"	80.0	80.0	65.0		
24"	96"	80.0	80.0	80.0	
30"		80.0	80.0	80.0	
36"		80.0	80.0	80.0	
42"		80.0	80.0	80.0	
48"		80.0	80.0	80.0	
54"		80.0	80.0	78.0	
60"		79.0	80.0	68.0	
66"		72.0	77.0	62.0	
24"	108"	80.0	80.0	80.0	
30"		80.0	80.0	80.0	
36"		80.0	80.0	80.0	
42"		80.0	80.0	76.0	
48"		80.0	80.0	67.0	
54"		80.0	80.0	61.0	
60"		70.0	75.0	55.0	
24"		114"	80.0	80.0	80.0
30"	80.0		80.0	80.0	
36"	80.0		80.0	80.0	
42"	80.0		80.0	80.0	
48"	80.0		80.0	72.0	
54"	74.0		79.0	64.0	
24"	120"		80.0	80.0	80.0
30"			80.0	80.0	80.0
36"		80.0	80.0	80.0	
42"		80.0	80.0	80.0	
48"		79.0	80.0	68.0	
54"		70.0	75.0	61.0	

ANCHORS TYPE A, B, OR C
2 OR 3 AT DOOR JAMB ENDS.

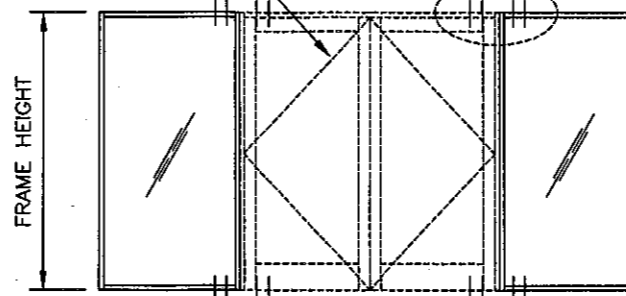
"TRULITE" DOORS
SEE SEPARATE NOA



$$\text{WIDTH (W)} = \frac{W1 + W2}{2} \text{ (MULLION)}$$

ANCHORS TYPE A, B, OR C
2 OR 3 AT DOOR JAMB ENDS.

"TRULITE" DOORS
SEE SEPARATE NOA

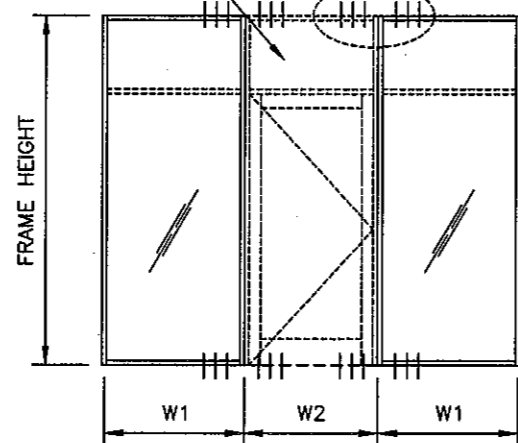


$$\text{WIDTH (W)} = \frac{W1 + W2}{2} + \frac{W2}{4} \text{ (MULLION)}$$

SEE DOOR NOA FOR
ADDITIONAL ANCHORING
REQUIREMENTS

ANCHORS TYPE A, B, OR C
2 OR 3 AT DOOR JAMB ENDS.

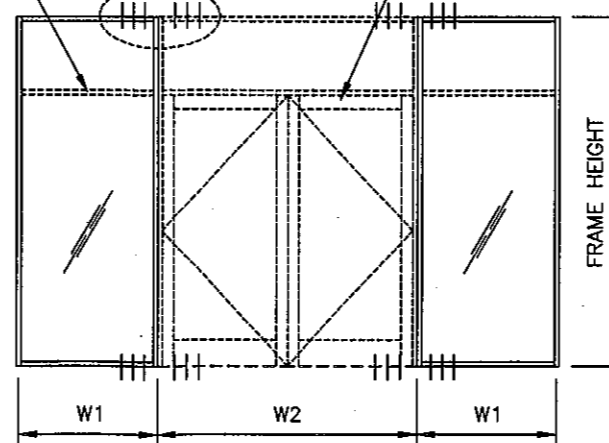
"TRULITE" DOORS
SEE SEPARATE NOA



$$\text{WIDTH (W)} = \frac{W1 + W2}{2} \text{ (MULLION)}$$

ANCHORS TYPE A, B, OR C
2 OR 3 AT DOOR JAMB ENDS.

"TRULITE" DOORS
SEE SEPARATE NOA



$$\text{WIDTH (W)} = \frac{W1 + W2}{2} \text{ (MULLION)}$$

DOOR JAMB ANCHOR LOAD CAPACITY (PSF) FOR 1/4" MAX. SHIM SPACE

NOMINAL DIMS.		ANCHOR TYPE		
WIDTH (W)	FRAME HEIGHT	"A3" EXT. (+) INT. (-)	"B3" EXT. (+) INT. (-)	"C3" EXT. (+) INT. (-)
≤24"	84"	80.0	80.0	80.0
30"		80.0	80.0	80.0
36"		80.0	80.0	80.0
42"		80.0	80.0	80.0
48"		80.0	80.0	80.0
54"		80.0	80.0	80.0
60"		80.0	80.0	80.0
66"		80.0	80.0	80.0
72"	80.0	80.0	80.0	
24"	96"	80.0	80.0	80.0
30"		80.0	80.0	80.0
36"		80.0	80.0	80.0
42"		80.0	80.0	80.0
48"		80.0	80.0	80.0
54"		80.0	80.0	80.0
60"		80.0	80.0	80.0
66"		80.0	80.0	80.0
24"	108"	80.0	80.0	80.0
30"		80.0	80.0	80.0
36"		80.0	80.0	80.0
42"		80.0	80.0	80.0
48"		80.0	80.0	80.0
54"		80.0	80.0	80.0
60"		80.0	80.0	80.0
66"		80.0	80.0	80.0
24"	114"	80.0	80.0	80.0
30"		80.0	80.0	80.0
36"		80.0	80.0	80.0
42"		80.0	80.0	80.0
48"		80.0	80.0	80.0
54"		80.0	80.0	80.0
60"		80.0	80.0	80.0
66"		80.0	80.0	80.0
24"	120"	80.0	80.0	80.0
30"		80.0	80.0	80.0
36"		80.0	80.0	80.0
42"		80.0	80.0	80.0
48"		80.0	80.0	80.0
54"		80.0	80.0	80.0

PRODUCT:

IFG-5100
ALUM. STOREFRONT
WINDOW WALL SYSTEM
LARGE-MISSILE IMPACT

Resistor
BLAST & STORM PROTECTION™

REV#	DATE/REMARKS
5/26/2012	REVISED PER COMMENTS

STANTON ENGINEERING, INC.
STRUCTURAL ENGINEERING SERVICES

2701 NW BOCA RATON BLVD.
SUITE 115
BOCA RATON, FL 33431
TEL: (561) 393-1003
FAX: (561) 393-1008

STAMP: PROFESSIONAL ENGINEER, STATE OF FLORIDA, LICENSE NO. 69316, EXPIRES 5/9/2014
CHRISTOPHER STANTON, P.E.
FLA P.E. # 69316

PRODUCT CONTROL APPROVAL:

PRODUCT REVISED
as complying with the Florida
Building Code
Acceptance No. 11-1114.24
Expiration Date 3/11/2014
By: [Signature]
Product Control

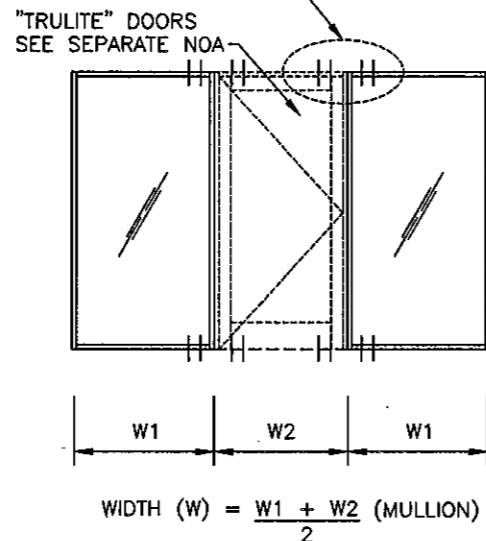
DRAWN: TRULITE
DATE: 10.24.11
DWG: IFG5100LMI

DRAWING No:
8 OF 14

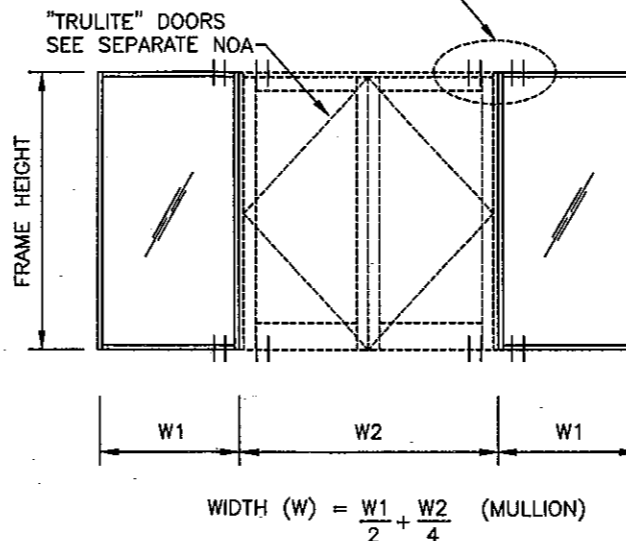
STEP 4: ANCHOR LOAD CAPACITY
AT 1/4" MAX. SHIM SPACE.

DOOR JAMB ANCHOR LOAD CAPACITY (PSF) FOR 3/8" MAX. SHIM SPACE					
NOMINAL DIMS.		ANCHOR TYPE			
WIDTH (W)	FRAME HEIGHT	"A2" EXT. (+) INT. (-)	"B2" EXT. (+) INT. (-)	"C2" EXT. (+) INT. (-)	
≤24"	84"	80.0	80.0	80.0	
30"		80.0	80.0	80.0	
36"		80.0	80.0	80.0	
42"		80.0	80.0	80.0	
48"		80.0	80.0	80.0	
54"		72.0	72.0	72.0	
60"		64.0	64.0	64.0	
66"		59.0	59.0	59.0	
72"	54.0	54.0	54.0		
24"	96"	80.0	80.0	80.0	
30"		80.0	80.0	80.0	
36"		80.0	80.0	80.0	
42"		80.0	80.0	80.0	
48"		71.0	71.0	71.0	
54"		63.0	63.0	63.0	
60"		56.0	56.0	56.0	
66"		51.0	51.0	51.0	
24"	108"	80.0	80.0	80.0	
30"		80.0	80.0	80.0	
36"		80.0	80.0	80.0	
42"		72.0	72.0	72.0	
48"		63.0	63.0	63.0	
54"		56.0	56.0	56.0	
60"		50.0	50.0	50.0	
24"		114"	80.0	80.0	80.0
30"	80.0		80.0	80.0	
36"	79.0		79.0	79.0	
42"	68.0		68.0	68.0	
48"	59.0		59.0	59.0	
54"	53.0		53.0	53.0	
24"	120"		80.0	80.0	80.0
30"			80.0	80.0	80.0
36"		75.0	75.0	75.0	
42"		64.0	64.0	64.0	
48"		56.0	56.0	56.0	
54"		50.0	50.0	50.0	

ANCHORS TYPE A, B, OR C
2 OR 3 AT DOOR JAMB ENDS.

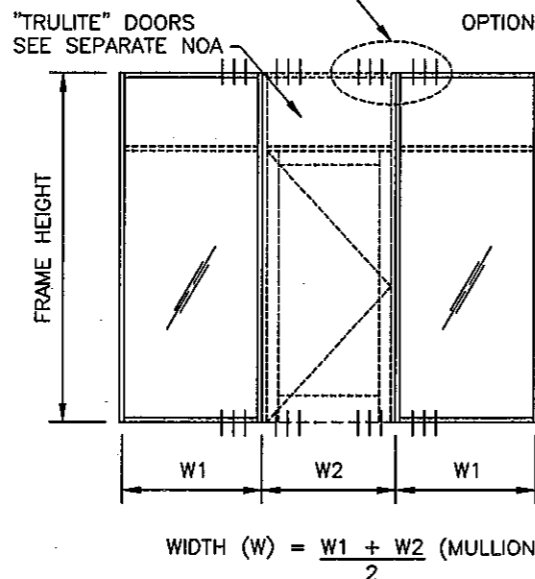


ANCHORS TYPE A, B, OR C
2 OR 3 AT DOOR JAMB ENDS.

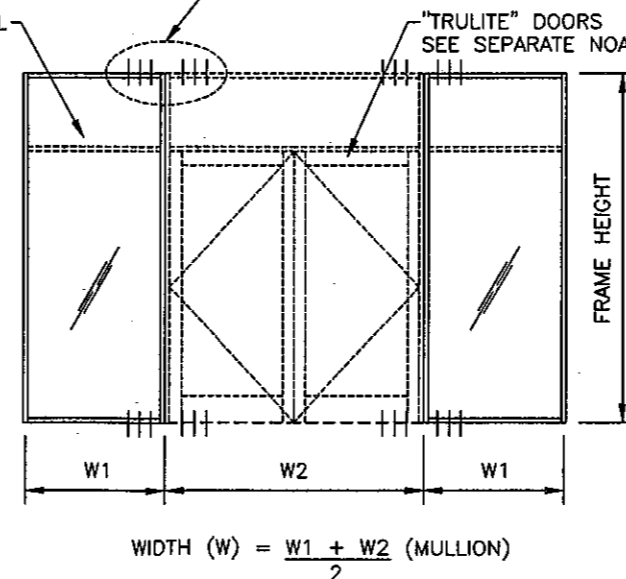


SEE DOOR NOA FOR
ADDITIONAL ANCHORING
REQUIREMENTS

ANCHORS TYPE A, B, OR C
2 OR 3 AT DOOR JAMB ENDS.



ANCHORS TYPE A, B, OR C
2 OR 3 AT DOOR JAMB ENDS.



DOOR JAMB ANCHOR LOAD CAPACITY (PSF) FOR 3/8" MAX. SHIM SPACE					
NOMINAL DIMS.		ANCHOR TYPE			
WIDTH (W)	FRAME HEIGHT	"A3" EXT. (+) INT. (-)	"B3" EXT. (+) INT. (-)	"C3" EXT. (+) INT. (-)	
≤24"	84"	80.0	80.0	80.0	
30"		80.0	80.0	80.0	
36"		80.0	80.0	80.0	
42"		80.0	80.0	80.0	
48"		80.0	80.0	80.0	
54"		80.0	80.0	80.0	
60"		80.0	80.0	80.0	
66"		80.0	80.0	80.0	
72"	80.0	80.0	80.0		
24"	96"	80.0	80.0	80.0	
30"		80.0	80.0	80.0	
36"		80.0	80.0	80.0	
42"		80.0	80.0	80.0	
48"		80.0	80.0	80.0	
54"		80.0	80.0	80.0	
60"		80.0	80.0	80.0	
66"		77.0	77.0	77.0	
24"	108"	80.0	80.0	80.0	
30"		80.0	80.0	80.0	
36"		80.0	80.0	80.0	
42"		80.0	80.0	80.0	
48"		80.0	80.0	80.0	
54"		80.0	80.0	80.0	
60"		80.0	80.0	80.0	
66"		75.0	75.0	75.0	
24"	114"	80.0	80.0	80.0	
30"		80.0	80.0	80.0	
36"		80.0	80.0	80.0	
42"		80.0	80.0	80.0	
48"		80.0	80.0	80.0	
54"		79.0	79.0	79.0	
24"		120"	80.0	80.0	80.0
30"			80.0	80.0	80.0
36"	80.0		80.0	80.0	
42"	80.0		80.0	80.0	
48"	80.0		80.0	80.0	
54"	75.0		75.0	75.0	

Trulite

GLASS & ALUMINUM SOLUTIONS™

http://www.trulite.com

800 FAIRWAY DRIVE, Suite 200
DEERFIELD BEACH, FL 33441
p. 800-432-8132 | f. 954-724-2083

PRODUCT:

IFG-5100

ALUM. STOREFRONT
WINDOW WALL SYSTEM
LARGE-MISSILE IMPACT

Resistor
BLAST & STORM PROTECTION™

REVN DATE/REMARKS

5/28/2012 REVISED PER COMMENTS

**STANTON
ENGINEERING, INC.**
STRUCTURAL ENGINEERING
SERVICES

2701 NW BOCA RATON BLVD.
SUITE 115
BOCA RATON, FL 33431
TEL: (561) 393-1003
FAX: (561) 393-1008

STAMP:
CHRISTOPHER STANTON, P.E.
FLA. P.E. # 69316
MAY 29 2012

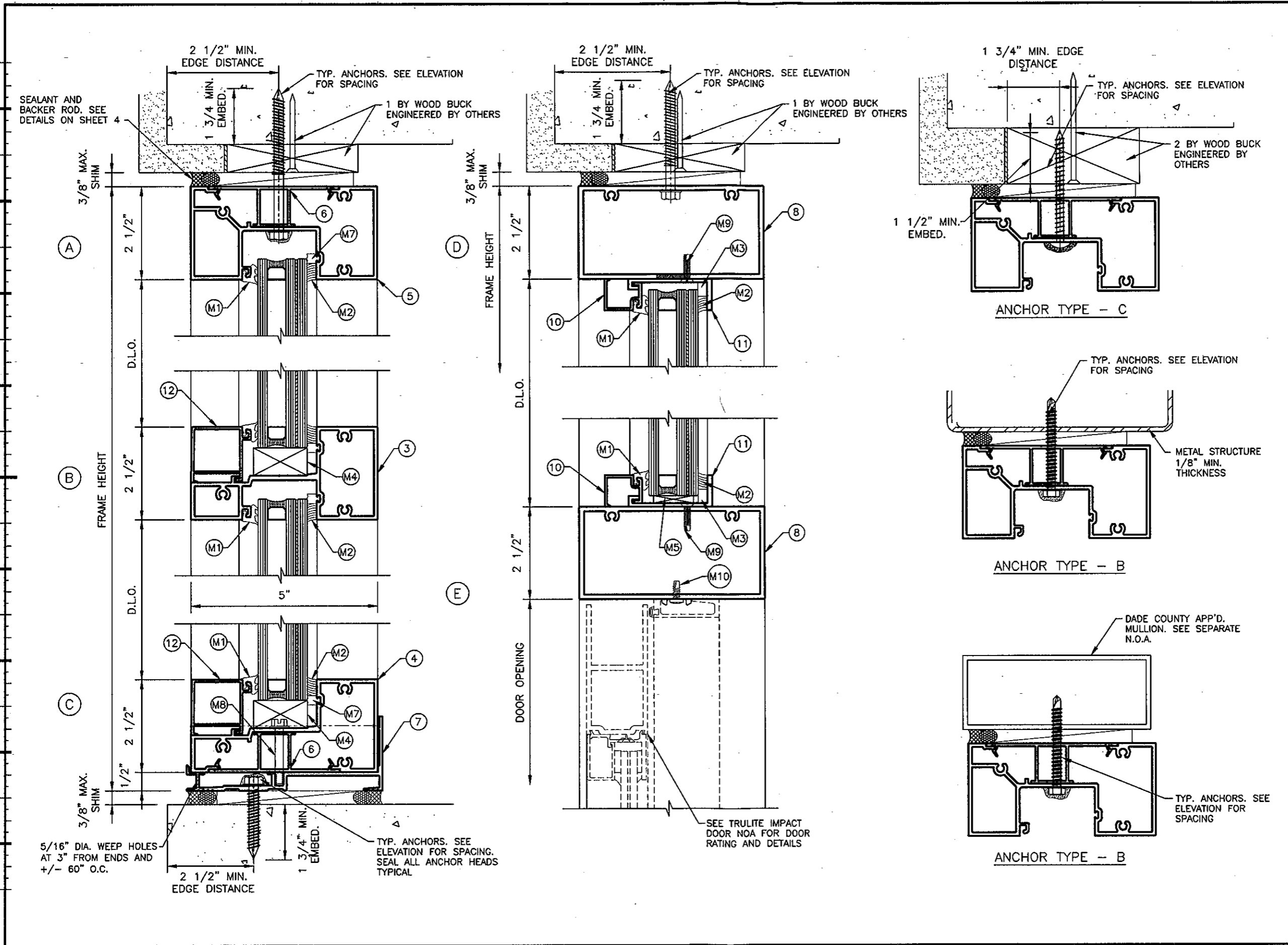
PRODUCT CONTROL APPROVAL:

PRODUCT REVISED
as complying with the Florida
Building Code
Acceptance No. 11-1114.24
Expiration Date 3/11/2014
By: *[Signature]*
Miami Dade Product Control

STEP 4: ANCHOR LOAD CAPACITY
AT 3/8" MAX. SHIM SPACE.

DRAWN: TRULITE
DATE: 10.24.11
DWG: IFG5100LMI

DRAWING No:
9 OF 14



Trulite
GLASS & ALUMINUM SOLUTIONS™
http://www.trulite.com
800 FAIRWAY DRIVE, Suite 200
DEERFIELD BEACH, FL 33441
p. 800-432-8132 | f. 954-724-2083

PRODUCT:
IFG-5100
ALUM. STOREFRONT
WINDOW WALL SYSTEM
LARGE-MISSILE IMPACT
Resistor
BLAST & STORM PROTECTION™

REV#	DATE/REMARKS
5/29/2012	REVISED PER COMMENTS

STANTON ENGINEERING, INC.
STRUCTURAL ENGINEERING SERVICES
2701 NW BOCA RATON BLVD.
SUITE 115
BOCA RATON, FL 33431
TEL: (561) 393-1003
FAX: (561) 393-1008

STAMP: PROFESSIONAL ENGINEER
STATE OF FLORIDA
NO. 9829
MAY 29 2012
CHRISTOPHER STANTON, P.E.
FLA. P.E. # 69316

PRODUCT CONTROL APPROVAL:
PRODUCT REVISED
as complying with the Florida
Building Code
Acceptance No. 11-1114.24
Expiration Date 3/11/2014
By *[Signature]*
Miami Dade Product Control

DRAWN: TRULITE	DRAWING No:
DATE: 10.24.11	10 OF 14
DWG: IFG5100LMI	

PRODUCT:

IFG-5100
ALUM. STOREFRONT
WINDOW WALL SYSTEM
LARGE-MISSILE IMPACT

Resistor
BLAST & STORM PROTECTION™

REV#	DATE/REMARKS
5/29/2012	REVISED PER COMMENTS

STANTON ENGINEERING, INC.
STRUCTURAL ENGINEERING SERVICES

2701 NW BOCA RATON BLVD.
SUITE 115
BOCA RATON, FL 33431
TEL: (561) 393-1003
FAX: (561) 393-1008

STAMP: PROFESSIONAL ENGINEER & ARCHITECT
STATE OF FLORIDA
NO. 1114.24
EXPIRES ON 3/11/2014
CHRISTOPHER STANTON, P.E.
FLA. P.E. #169316

PRODUCT CONTROL APPROVAL:

PRODUCT REVISED
as complying with the Florida
Building Code
Acceptance No. 11-1114.24
Expiration Date 3/11/2014
By: *[Signature]*
Miami Dade Product Control

DRAWN: TRULITE	DRAWING No:
DATE: 10.24.11	11 OF 14
DWG: IFG5100LM	

WOOD BUCKS NOT BY TRULITE
MUST SUPPORT LOADS IMPOSED BY
GLAZING SYSTEM AND TRANSFER THEM
TO THE BUILDING STRUCTURE.

TYPICAL ANCHORS:
SEE ELEVATIONS FOR SPACING

TYPE "A" - 1/4" TAPCONS

THRU 1BY WOOD OR 2BY WOOD BUCKS INTO
3000 PSI MIN. CONC. OR C-90 GROUT FILLED
BLOCK. 1 1/2" MIN. EMBED. INTO CONC. OR
MASONRY

DIRECTLY INTO 3000 PSI MIN. CONCRETE
1 1/2" MIN. EMBED. INTO CONC.

TYPE "B" - #14 SMS OR 1/4" SELF DRILLING SCREWS

INTO METAL STRUCTURES
(STEEL OR ALUM. 1/8" MIN. THICK.)

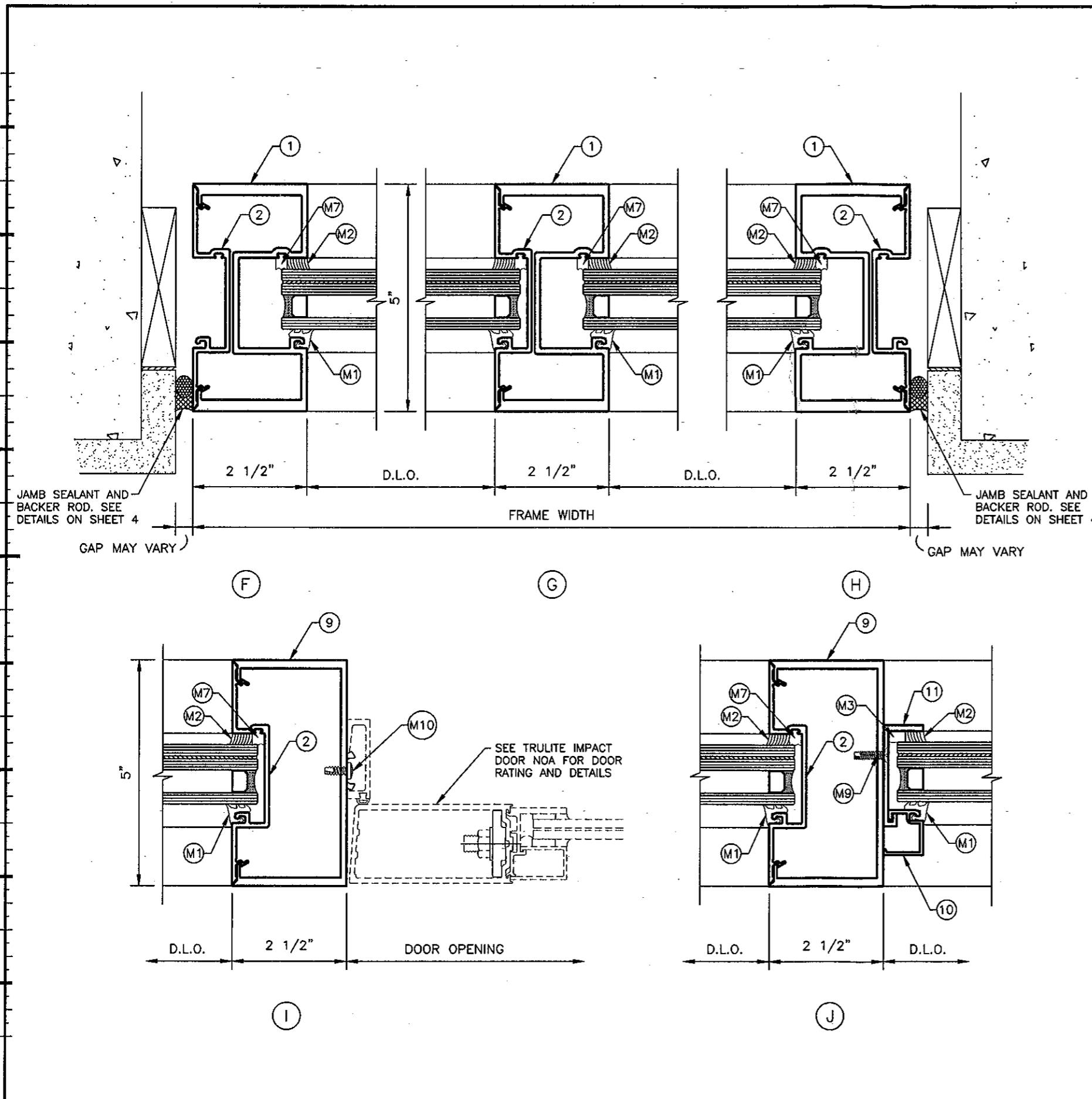
STEEL: Fy - 36 KSI MIN.
ALUMINUM: 6063-T5 MIN.
(STEEL IN CONTACT WITH ALUM. TO BE
PLATED OR PAINTED)

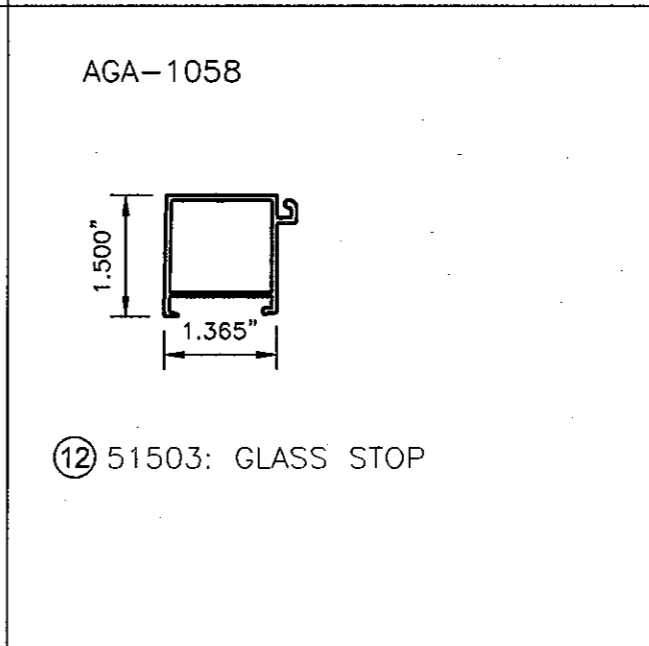
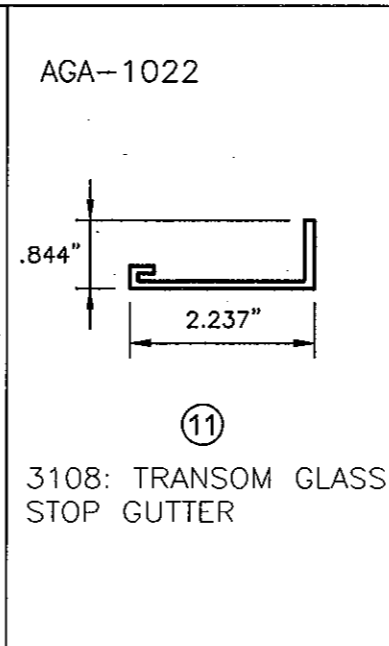
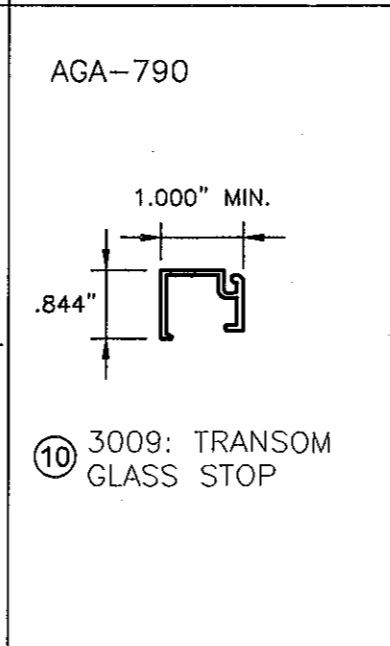
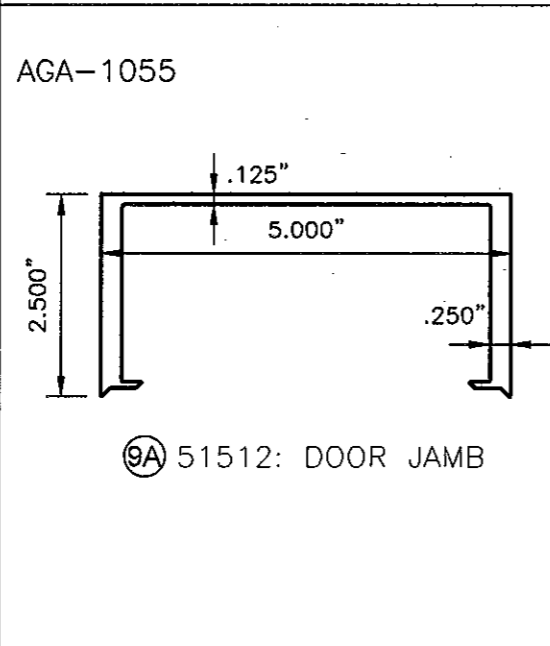
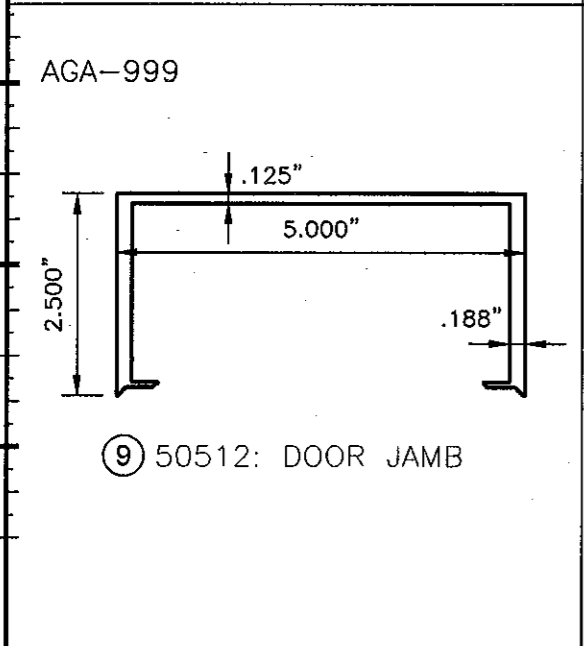
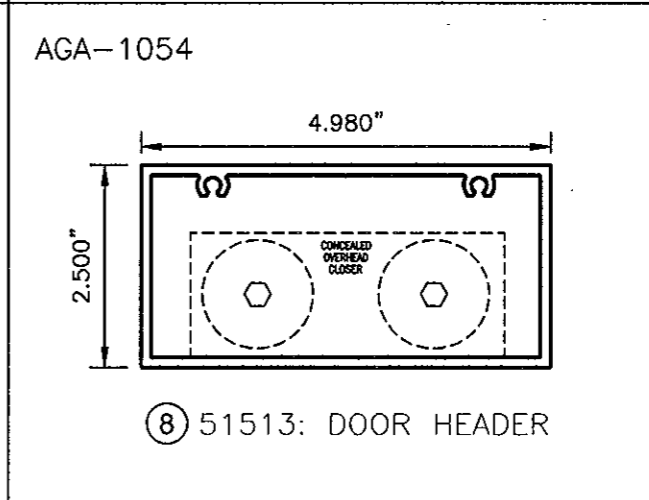
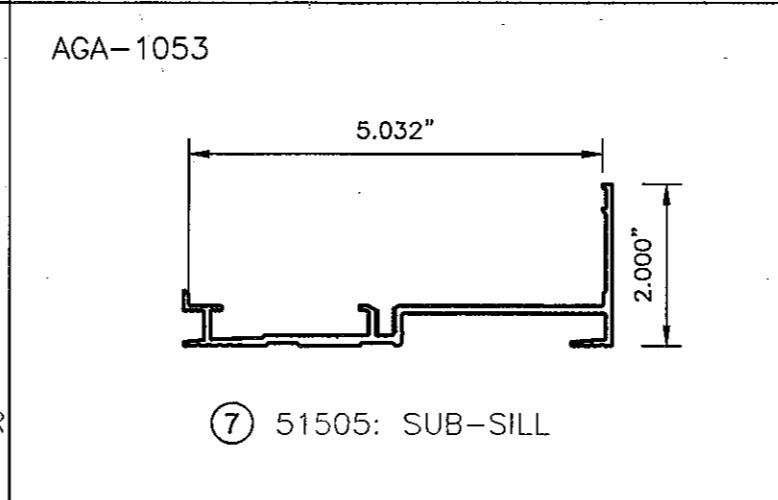
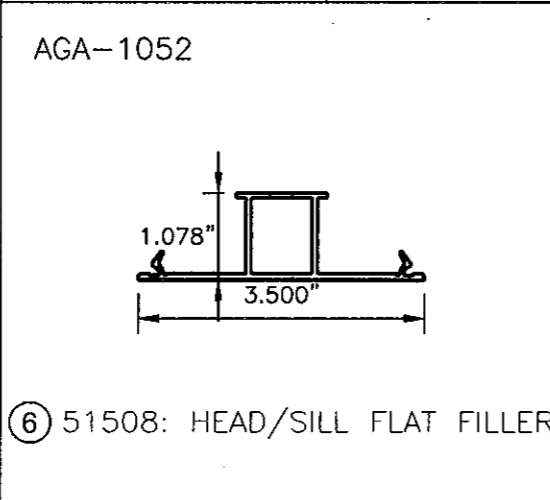
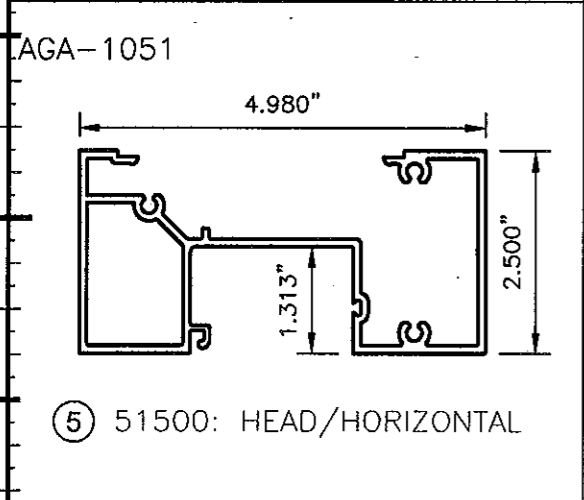
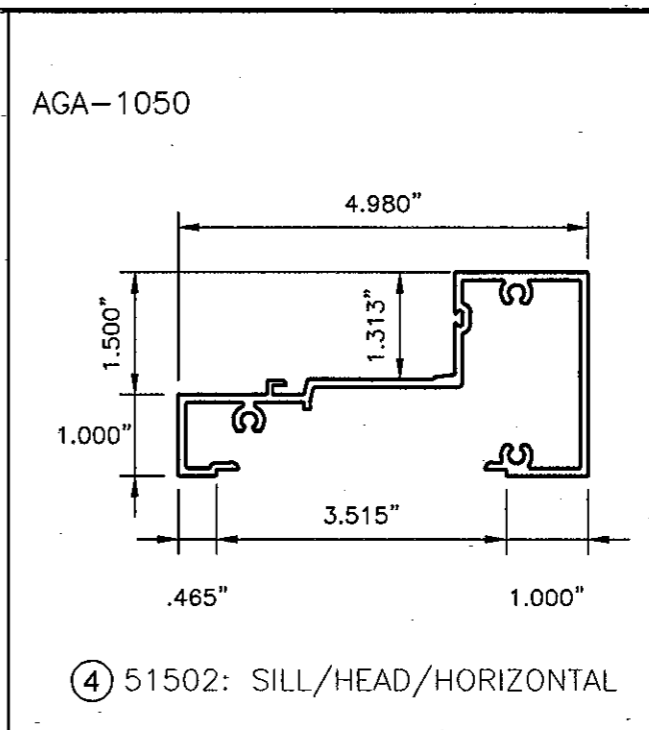
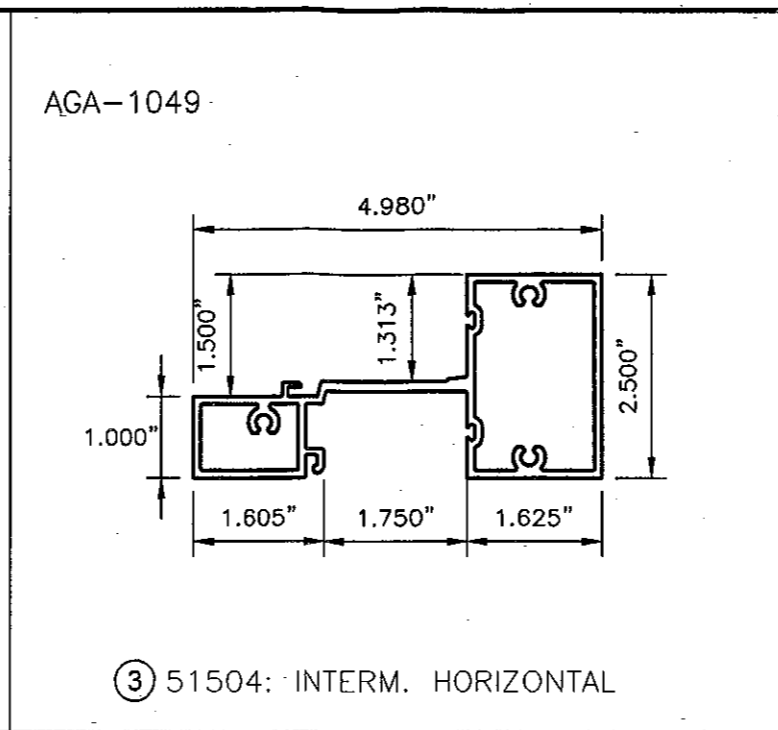
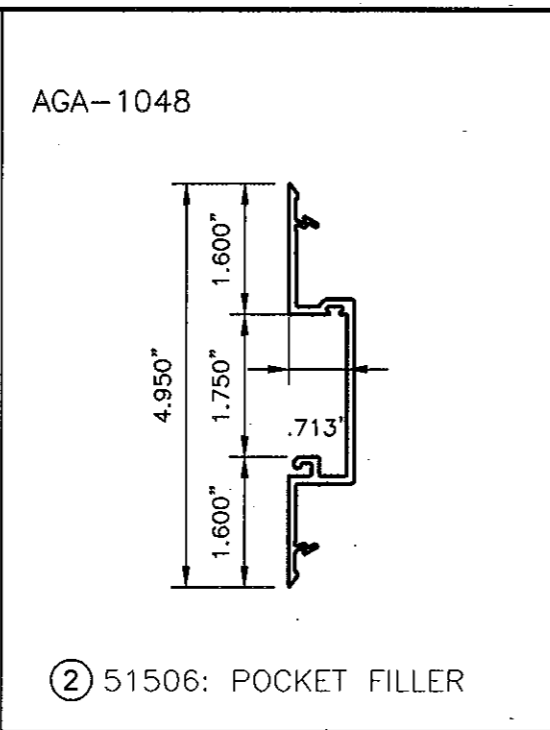
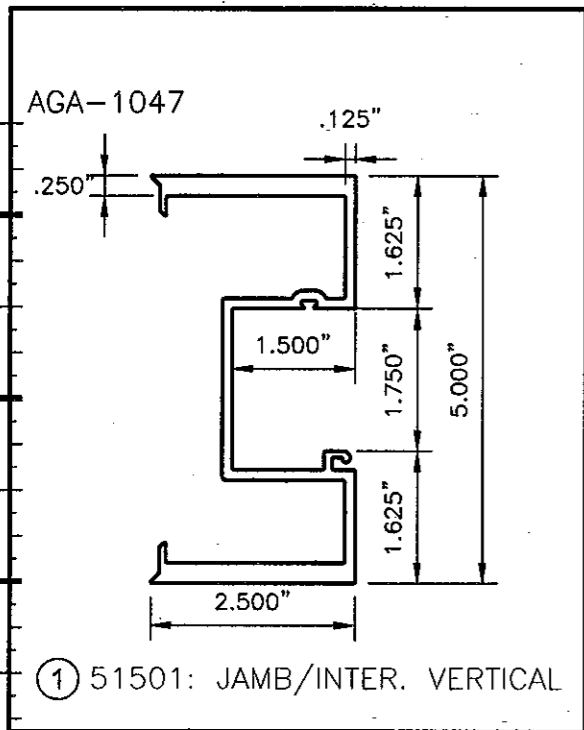
TYPE "C" - 1/4" TAPCONS

INTO BY WOOD BUCKS OR WOOD STRUCTURES
1 1/2" MIN. PENETRATION INTO #2 SYP BUCK

TYPICAL EDGE DISTANCE

INTO CONC. OR MASONRY = 2 1/2" MIN.
INTO WOOD STRUCTURE = 1 3/4" MIN.
INTO METAL STRUCTURE = 3/4" MIN.





Trulite
GLASS & ALUMINUM SOLUTIONS™
http://www.trulite.com
800 FAIRWAY DRIVE, Suite 200
DEERFIELD BEACH, FL 33441
p. 800-432-8132 | f. 954-724-2083

PRODUCT:
IFG-5100
ALUM. STOREFRONT
WINDOW WALL SYSTEM
LARGE-MISSILE IMPACT
Resistor
BLAST & STORM PROTECTION™

REV#	DATE/REMARKS
5/29/2012	REVISED PER COMMENTS

STANTON ENGINEERING, INC.
STRUCTURAL ENGINEERING SERVICES
2701 NW BOCA RATON BLVD.
SUITE 115
BOCA RATON, FL 33431
TEL: (561) 393-1003
FAX: (561) 393-1008

STAMP: STATE OF FLORIDA PROFESSIONAL ENGINEER
CHRISTOPHER STANTON, P.E.
FLA. P.E. # 69316

PRODUCT CONTROL APPROVAL:

PRODUCT REVISED
as complying with the Florida
Building Code
Acceptance No. 11-1114.24
Expiration Date 3/11/2014
By: *[Signature]*
Miami Dade Product Control

DRAWN: TRULITE	DRAWING No:
DATE: 10.24.11	12 OF 14
DWG: IFG5100LMI	

BILL OF MATERIALS

ITEM NO.	PART NO.	DESCRIPTION	MATERIAL	SUPPLIER/REMARKS
①	51501	JAMB/INTERMEDIATE VERTICAL	6063-T6	TRULITE AGA-1047
②	51506	POCKET FILLER	6063-T6	TRULITE AGA-1048
③	51504	INT. HORIZONTAL	6063-T6	TRULITE AGA-1049
④	51502	SILL/HEAD/HORIZONTAL	6063-T6	TRULITE AGA-1050
⑤	51500	HEAD/HORIZONTAL	6063-T6	TRULITE AGA-1051
⑥	51508	HEAD & SILL FILLER	6063-T5	TRULITE AGA-1052
⑦	51505	STARTER SILL	6063-T5	TRULITE AGA-1053
⑧	51513	DOOR HEADER	6063-T6	TRULITE AGA-1054
⑨	50512	DOOR JAMB	6063-T6	TRULITE AGA-999
⑨A	51512	DOOR JAMB, HEAVY WALL (OPTIONAL)	6063-T6	TRULITE AGA-1055
⑩	3009	TRANSOM GLASS STOP	6063-T5	TRULITE AGA-790/AGA-1056
⑪	3108	TRANSOM GLASS STOP GUTTER	6063-T5	TRULITE AGA-1022/AGA-1057
⑫	51503	GLASS STOP	6063-T5	TRULITE AGA-1058
(M1)	H-63	WEDGE GASKET	EPDM	---
(M2)	DC-995	STRUCTURAL SILICONE SEALANT	SILICONE	DOW CORNING
(M2)	SSG-4000	STRUCTURAL SILICONE SEALANT	SILICONE	G.E.
(M2)	PROGLAZE II	STRUCTURAL SILICONE SEALANT	SILICONE	TREMCO
(M3)	V2100	VINYL FOAM TAPE 0.375" x 0.250"	FOAM	NORTON
(M4)	H62K	0.75 THK x 1.375 SETTING BLOCK	EPDM	---
(M5)	H62F	0.25 THK x 1.375 SETTING BLOCK	EPDM	---
(M6)	S30	#12-24 x 1 1/2" LG PHPMS	S/S	SCREW SPLINE SCREWS
(M7)	H60	BACKING GASKET	EPDM	---
(M8)	P13	1/4-20 x 1 1/2" LG HWH TYPE-23	S/S	ATTACHES SUB-SILL TO SILL
(M9)	S14	#12-24 x 3/4" LG FHPMS TYPE-23	S/S	ATTACHES TRANSOM GLASS STOP GUTTER
(M10)	S9	#10-24 x 1/2" LG PHMS TYPE-23	S/S	ATTACHES SPRING CLIP TO FRAME
(M11)	H67	SPRING CLIP FOR DOOR STOP	S/S	ATTACH WITH S9 SCREWS
(M12)	-----	3/8" X 4" FLAT STEEL REINFORCING	A36 STEEL	FULL HEIGHT DOOR JAMB REINFORCING



http://www.trulite.com

800 FAIRWAY DRIVE, Suite 200
DEERFIELD BEACH, FL 33441
p. 800-432-8132 | f. 954-724-2083

PRODUCT:

IFG-5100

ALUM. STOREFRONT
WINDOW WALL SYSTEM
LARGE-MISSILE IMPACT



REVN	DATE/REMARKS
5/29/2012	REVISED PER COMMENTS

**STANTON
ENGINEERING, INC.**
STRUCTURAL ENGINEERING
SERVICES
2701 NW BOCA RATON BLVD.
SUITE 115
BOCA RATON, FL 33431
TEL: (561) 393-1003
FAX: (561) 393-1008

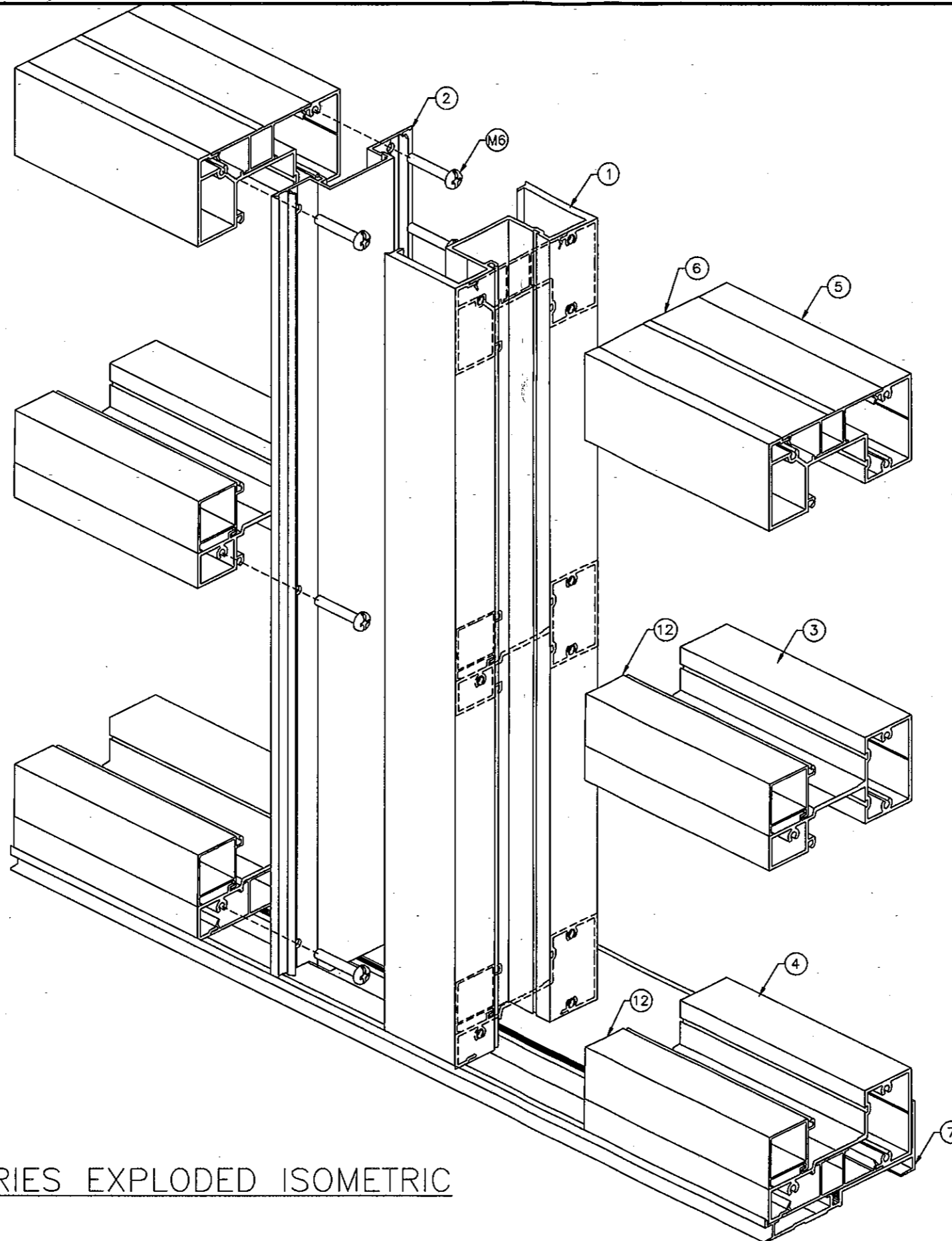
STAMP:

 CHRISTOPHER STANTON, P.E.
 FLA P.E. # 69316

PRODUCT CONTROL APPROVAL:

PRODUCT REVISED
 as complying with the Florida
 Building Code
 Acceptance No. 11-1114.24
 Expiration Date 3/11/2014
 By
 Miami Dade Product Control

DRAWN: TRULITE	DRAWING No:
DATE: 10.24.11	13 OF 14
DWG: IFGS100LMI	



5100 SERIES EXPLODED ISOMETRIC

Trulite
GLASS & ALUMINUM SOLUTIONS™

<http://www.trulite.com>

800 FAIRWAY DRIVE, Suite 200
DEERFIELD BEACH, FL 33441
p. 800-432-8132 | f. 954-724-2083

PRODUCT:

IFG-5100
ALUM. STOREFRONT
WINDOW WALL SYSTEM
LARGE-MISSILE IMPACT

Resistor
BLAST & STORM PROTECTION™

REVN	DATE/REMARKS
5/28/2012	REVISED PER COMMENTS

STANTON ENGINEERING, INC.
STRUCTURAL ENGINEERING SERVICES
2701 NW BOCA RATON BLVD.
SUITE 115
BOCA RATON, FL 33431
TEL: (561) 393-1003
FAX: (561) 393-1008

STAMP:

 CHRISTOPHER STANTON, P.E.
FLA. P.E. # 69316

PRODUCT CONTROL APPROVAL:

PRODUCT REVISED
as complying with the Florida
Building Code
Acceptance No. 11-1114.24
Expiration Date 3/11/2014
By
Miami Dade Product Control

DRAWN: TRULITE	DRAWING No:
DATE: 10.24.11	14 OF 14
DWG: IFG5100LMI	