



DEPARTMENT OF PERMITTING, ENVIRONMENT, AND REGULATORY  
AFFAIRS (PERA)  
BOARD AND CODE ADMINISTRATION DIVISION

MIAMI-DADE COUNTY  
PRODUCT CONTROL SECTION  
11805 SW 26 Street, Room 208  
Miami, Florida 33175-2474  
T (786) 315-2590 F (786) 315-2599

**NOTICE OF ACCEPTANCE (NOA)**

[www.miamidade.gov/pera/](http://www.miamidade.gov/pera/)

**Trulite Glass & Aluminum Solutions, LLC**  
800 Fairway Drive, Suite 200  
Deerfield Beach, FL 33441

**SCOPE:**

This NOA is being issued under the applicable rules and regulations governing the use of construction materials. The documentation submitted has been reviewed and accepted by Miami-Dade County PERA - Product Control Section to be used in Miami Dade County and other areas where allowed by the Authority Having Jurisdiction (AHJ).

This NOA shall not be valid after the expiration date stated below. The Miami-Dade County Product Control Section (In Miami Dade County) and/or the AHJ (in areas other than Miami Dade County) reserve the right to have this product or material tested for quality assurance purposes. If this product or material fails to perform in the accepted manner, the manufacturer will incur the expense of such testing and the AHJ may immediately revoke, modify, or suspend the use of such product or material within their jurisdiction. PERA reserves the right to revoke this acceptance, if it is determined by Miami-Dade County Product Control Section that this product or material fails to meet the requirements of the applicable building code.

This product is approved as described herein, and has been designed to comply with the Florida Building Code, including the High Velocity Hurricane Zone.

**DESCRIPTION: Series "3100 Resistor" Aluminum Storefront/Window Wall System – L.M.I.**

**APPROVAL DOCUMENT:** Drawing No. AD11-21, titled "Resistor 3100 Storefront Wall - LMI", sheets 1 through 13 of 13, dated 09/22/11, prepared by MCY Engineering, Inc., signed and sealed by Yiping Wang, P.E., bearing the Miami-Dade County Product Control Revision stamp with the Notice of Acceptance number and expiration date by the Miami-Dade County Product Control Section.

**MISSILE IMPACT RATING: Large and Small Missile Impact Resistant**

**LABELING:** Each unit shall bear a permanent label with the manufacturer's name or logo, city, state, model/series, and following statement: "Miami-Dade County Product Control Approved", unless otherwise noted herein.

**RENEWAL** of this NOA shall be considered after a renewal application has been filed and there has been no change in the applicable building code negatively affecting the performance of this product.

**TERMINATION** of this NOA will occur after the expiration date or if there has been a revision or change in the materials, use, and/or manufacture of the product or process. Misuse of this NOA as an endorsement of any product, for sales, advertising or any other purposes shall automatically terminate this NOA. Failure to comply with any section of this NOA shall be cause for termination and removal of NOA.

**ADVERTISEMENT:** The NOA number preceded by the words Miami-Dade County, Florida, and followed by the expiration date may be displayed in advertising literature. If any portion of the NOA is displayed, then it shall be done in its entirety.

**INSPECTION:** A copy of this entire NOA shall be provided to the user by the manufacturer or its distributors and shall be available for inspection at the job site at the request of the Building Official.

This NOA revises NOA # 09-1022.01 and consists of this page 1 and evidence pages E-1 and E-2, as well as approval document mentioned above.

The submitted documentation was reviewed by **Manuel Perez, P.E.**



NOA No. 11-1117.02  
Expiration Date: March 31, 2015  
Approval Date: February 09, 2012  
Page 1

**NOTICE OF ACCEPTANCE: EVIDENCE SUBMITTED**

**A. DRAWINGS**

1. Manufacturer's die drawings and sections.
2. Drawing No **AD11-21**, Sheets 1 through 13 of 13, titled "Resistor 3100 Storefront Wall - LMI", dated 09/22/11, prepared by MCY Engineering, Inc., signed and sealed by Yiping Wang, P.E.

**B. TESTS**

1. Test reports on: 1) Uniform Static Air Pressure Test, Loading per FBC, TAS 202-94  
2) Large Missile Impact Test per FBC, TAS 201-94  
3) Cyclic Wind Pressure Loading per FBC, TAS 203-94  
along with marked-up drawings and installation diagram of aluminum window wall system, prepared by Fenestration Testing Laboratory, Inc., Test Report No. **FTL-5884**, dated 05/28/09, signed and sealed by Michael R. Wenzel, P. E.  
*(Submitted under NOA No.09-1022.01)*
2. Test reports on: 1) Uniform Static Air Pressure Test, Loading per FBC, TAS 202-94  
2) Large Missile Impact Test per FBC, TAS 201-94  
3) Cyclic Wind Pressure Loading per FBC, TAS 203-94  
along with marked-up drawings and installation diagram of aluminum window wall system, prepared by Fenestration Testing Laboratory, Inc., Test Report No. **FTL-5140**, dated 01/20/07, signed and sealed by Michael R. Wenzel, P. E.  
*(Submitted under NOA No.08-1024.04)*
3. Test reports on: 1) Air Infiltration Test, per FBC, TAS 202-94  
2) Uniform Static Air Pressure Test, Loading per FBC, TAS 202-94  
3) Water Resistance Test, per FBC, TAS 202-94  
4) Large Missile Impact Test per FBC, TAS 201-94  
5) Cyclic Wind Pressure Loading per FBC, TAS 203-94  
along with marked-up drawings and installation diagram of aluminum window wall system, prepared by Fenestration Testing Laboratory, Inc., Test Report No. **FTL-3942**, dated 02/03/2004, signed and sealed by Edmundo Largaespada, P. E.  
*(Submitted under NOA No. 05-0906.04)*
4. Test reports on: 1) Uniform Static Air Pressure Test, Loading per FBC, TAS 202-94  
2) Large Missile Impact Test per FBC, TAS 201-94  
3) Cyclic Wind Pressure Loading per FBC, TAS 203-94  
along with marked-up drawings and installation diagram of aluminum window wall system, prepared by Fenestration Testing Laboratory, Inc., Test Report No. **FTL-3634**, dated 04/24/2003, signed and sealed by Joseph Chan, P.E.  
*(Submitted under NOA No. 04-1213.01)*



Manuel Perez, P.E.  
Product Control Examiner  
NOA No. 11-1117.02

Expiration Date: March 31, 2015  
Approval Date: February 09, 2012

**Trulite Glass & Aluminum Solutions, LLC**

**NOTICE OF ACCEPTANCE: EVIDENCE SUBMITTED**

**C. CALCULATIONS:**

1. Anchor verification calculations and structural analysis, complying with FBC-2007 and 2010, dated 05/23/06, updated on 11/15/11, prepared by MCY Engineering, Inc., signed and sealed by Yiping Wang, P.E.
2. Glazing complies with ASTM E1300-04

**D. QUALITY ASSURANCE**

1. Miami-Dade Department of Permitting, Environment, and Regulatory Affairs (PERA).

**E. MATERIAL CERTIFICATIONS**


1. Notice of Acceptance No. **11-0624.02** issued to **E.I. DuPont DeNemours & Co., Inc.** for their "**DuPont SentryGlas® Interlayer**" dated 08/25/11, expiring on 01/14/17.
2. Notice of Acceptance No. **11-0325.05** " issued to Solutia, Inc. for their "Saflex and Vanceva clear and color interlayers" dated 05/05/11, expiring on 05/21/16
3. Notice of Acceptance No. **08-0206.01** issued to **Solutia, Inc.** for their "**Saflex HP Glass Interlayer**" dated 04/17/08, expiring on 04/14/13.

**F. STATEMENTS**

1. Statement letter of conformance, complying with FBC-2007 and FBC-2010, dated 11/14/11, signed and sealed by Yiping Wang, P.E.
2. Statement letter of no financial interest, dated 11/14/11, signed and sealed by Yiping Wang, P.E.
3. Certificate of Amendment to Certificate of Formation of Arch Aluminum & Glass, LLC aware to change its name to: **Trulite Glass & Aluminum Solutions, LLC**, issued by in State of Delaware, dated July 25, 2011, signed by Grace Kurowska, CFO, Vice President, Treasurer & Secretary.
4. Certificate of Authentication of name change to **Trulite Glass & Aluminum Solutions, LLC** issued by the Secretary of State of the State of Delaware, dated 07/27/11, signed by Jeffrey W. Bullock, Secretary of State.
5. Florida Dept of State, listing of **Trulite Glass & Aluminum Solutions, LLC** (Foreign Limited Liability Co.), managed by Arch Intermediate Holding, LLC, Tamarac, Fl.

**G. OTHERS**

1. Notice of Acceptance No. **09-1022.01**, issued to Arch Aluminum & Glass Company, Inc. for their Series "3100/L-3100" Aluminum Window Wall System – L.M.I., approved on 03/24/10 and expiring on 03/31/15.

  
Manuel Perez, P.E.  
Product Control Examiner  
NOA No. 11-1117.02

Expiration Date: March 31, 2015  
Approval Date: February 09, 2012

# Trulite

GLASS & ALUMINUM SOLUTIONS™

http://www.trulite.com

800 FAIRWAY DRIVE, Suite 200  
DEERFIELD BEACH, FL 33441  
p. 800-432-8132 | f. 954-724-2083

PRODUCT:

**Resistor  
3100**  
STOREFRONT WALL-LMI

**Resistor**  
BLAST & STORM PROTECTION™

| REVN | DATE/REMARKS |
|------|--------------|
|      |              |
|      |              |
|      |              |

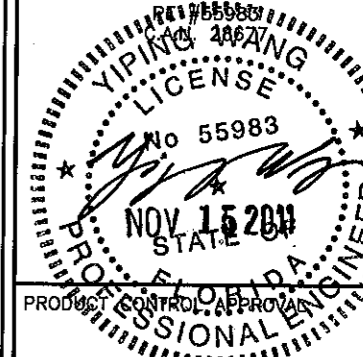
ENGINEER:

**MCY ENGINEERING, INC.**  
GLAZING CONSULTANT

9110 SW SUNSET DRIVE  
MIAMI, FL 33173  
P: 305-271-0117  
Email: MCY.Engineering@att.net  
www.MCYEngineering.com

STAMP:

YIPING WANG, P.E.  
FLORIDA REGISTRATION  
No. 55983



PRODUCT CONTROL APPROVAL  
PROFESSIONAL ENGINEER

PRODUCT REVISED  
as complying with the Florida  
Building Code  
Acceptance No. 11-1117.02  
Expiration Date March 31, 2015

By *Maurice Ruiz*  
Miami Dade Product Control

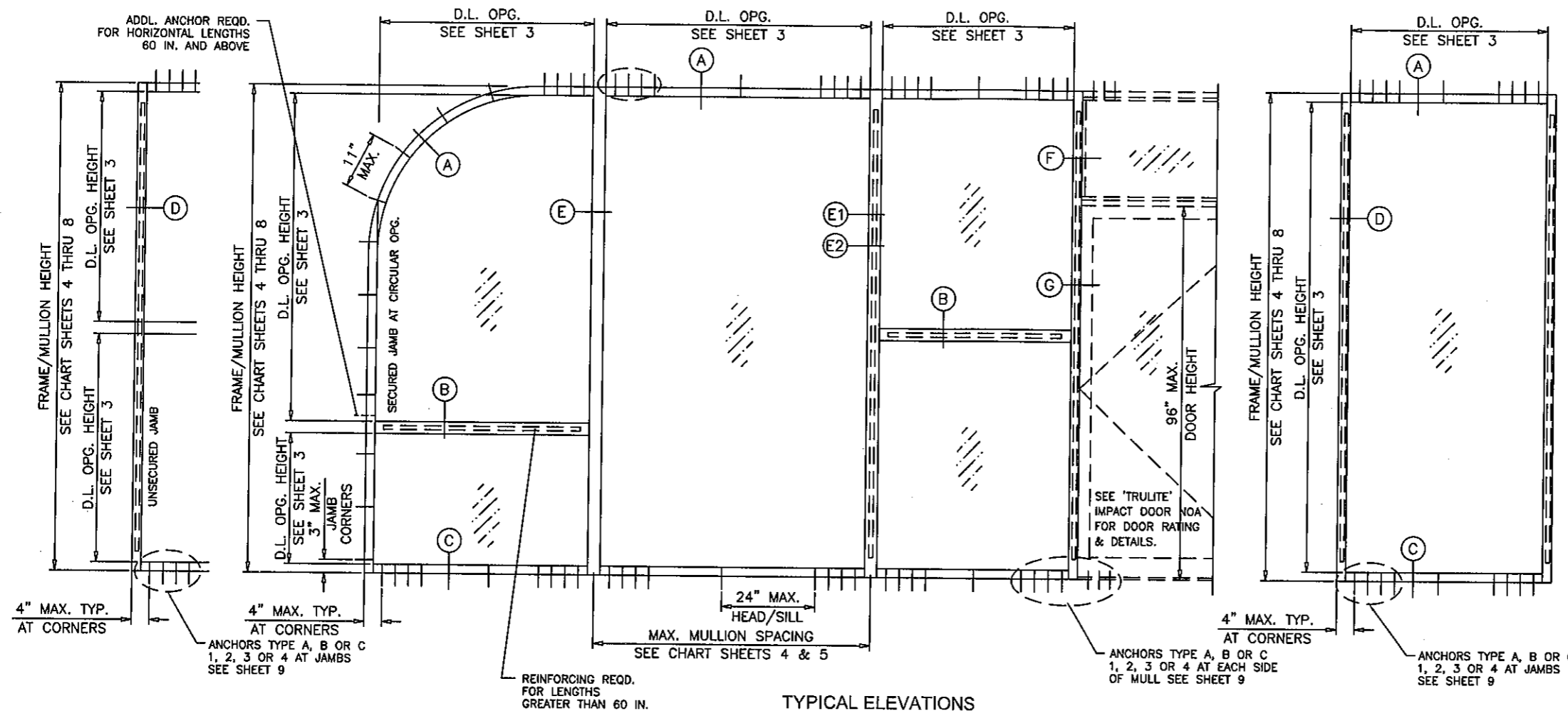
DRAWN: S.L.

DATE: 9-22-11

DWG: AD11-21

DRAWING No:

**1 OF 13**



### SERIES 3100/L-3100 ALUMINUM WINDOW WALL SYSTEM

- WINDOW WALL SYSTEM IS RATED FOR LARGE & SMALL MISSILE IMPACT. SHUTTERS ARE NOT REQUIRED.
- THIS SYSTEM MAY BE USED IN CONJUNCTION WITH MIAMI DADE COUNTY APPROVED ENTRANCE DOORS.
- CODE REQUIREMENTS FOR SAFEGUARDS MUST BE OBSERVED.
- THIS PRODUCT HAS BEEN DESIGNED AND TESTED TO COMPLY WITH THE REQUIREMENTS OF THE FLORIDA BUILDING CODE 2007/2010 EDITION INCLUDING HIGH VELOCITY HURRICANE ZONE (HVHZ).
- WOOD BUCKS BY OTHERS, MUST BE ANCHORED PROPERLY TO TRANSFER LOADS TO THE STRUCTURE.
- ANCHORS SHALL BE AS LISTED, SPACED AS SHOWN ON DETAILS, ANCHORS EMBEDMENT TO BASE MATERIAL SHALL BE BEYOND WALL DRESSING OR STUCCO.
- ANCHORING OR LOADING CONDITIONS NOT SHOWN IN THESE DETAILS ARE NOT PART OF THIS APPROVAL.
- A LOAD DURATION INCREASE IS USED IN DESIGN OF ANCHORS INTO WOOD ONLY.
- MATERIALS INCLUDING BUT NOT LIMITED TO STEEL/METAL SCREWS, THAT COME INTO CONTACT WITH OTHER DISSIMILAR MATERIALS SHALL MEET THE REQUIREMENTS OF 2007/2010 FLORIDA BLDG. CODE SECTION 2003.8.4, 2411.3.3.3 & 2326

### INSTRUCTIONS:

#### USE CHARTS AS FOLLOWS.

- STEP 1:** DETERMINE DESIGN WIND LOAD REQUIREMENTS BASED ON WIND VELOCITY, BLDG. HEIGHT, WIND ZONE USING APPLICABLE ASCE 7 STANDARD.
- STEP 2:** SEE CHARTS ON SHEET 3 FOR DESIGN LOAD CAPACITY OF DESIRED GLASS SIZE BASED ON APPLICABLE DESIGN LOADS.
- STEP 3:** CHECK MULLION AND JAMB CAPACITY FOR A GIVEN SPACING AND HEIGHT USING CHARTS ON SHEET 4 THRU 8. THE CAPACITY SHOULD EXCEED THE DESIGN LOAD.
- STEP 4:** USING CHART ON SHEETS 9 SELECT ANCHOR OPTION WITH DESIGN RATING MORE THAN DESIGN LOAD SPECIFIED IN STEP 1 ABOVE.
- STEP 5:** THE LOWEST VALUE RESULTING FROM STEPS 2, 3 AND 4 SHALL APPLY TO ENTIRE SYSTEM.

PRODUCT:

**Resistor  
3100**  
STOREFRONT WALL-LMI

**Resistor**  
BLAST & STORM PROTECTION™

| REVN | DATE/REMARKS |
|------|--------------|
|      |              |
|      |              |
|      |              |

ENGINEER:

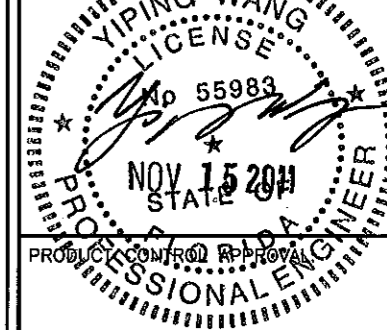


**MCY ENGINEERING, INC.**  
GLAZING CONSULTANT

9110 SW SUNSET DRIVE  
MIAMI, FL 33173  
P: 305-271-0117  
Email: MCY.Engineering@att.net  
www.MCYEngineering.com

STAMP:

YIPING WANG, P.E.  
FLORIDA REGISTRATION  
PE #55983  
A.N. 286



PRODUCT CONTROL APPROVAL  
PROFESSIONAL ENGINEER

PRODUCT REVISED  
as complying with the Florida  
Building Code  
Acceptance No **11-1117.02**  
Expiration Date **March 31, 2015**

By *Manuel Perez*  
Miami Dade Product Control

DRAWN: S.L.

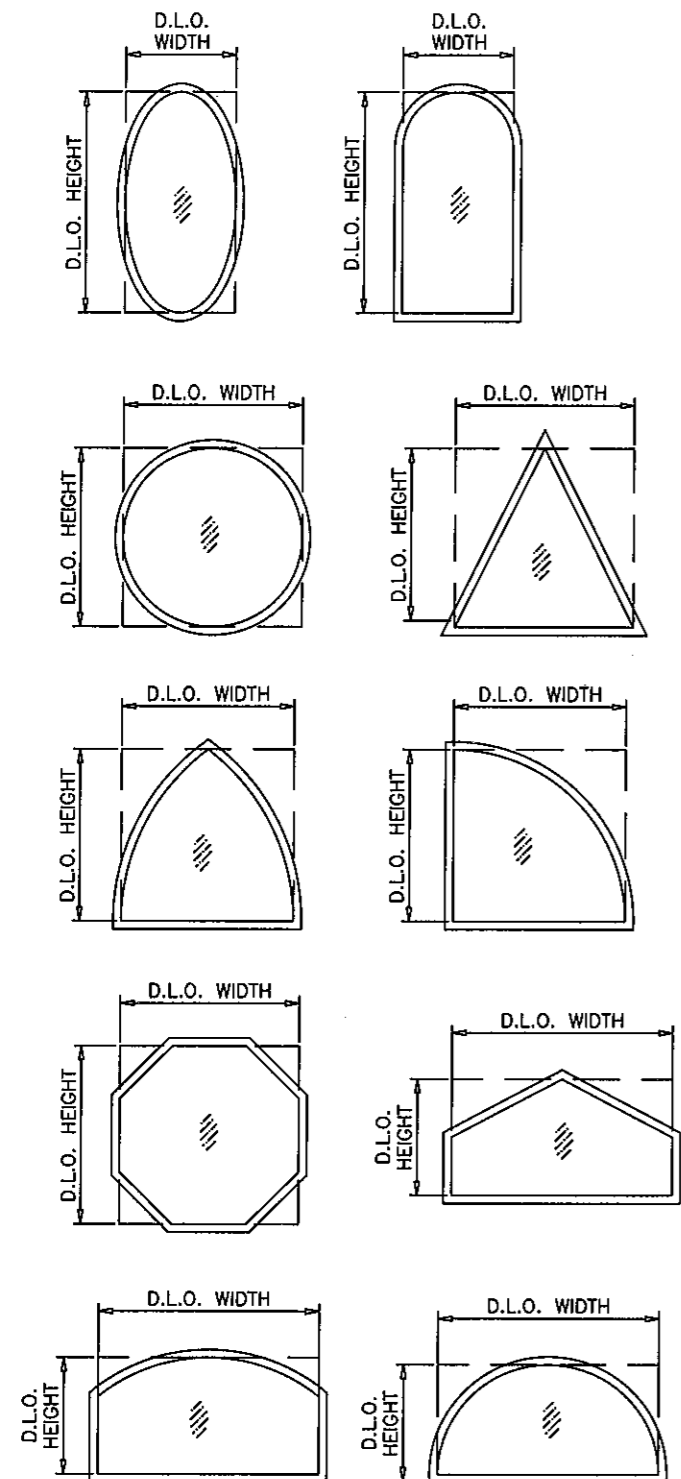
DRAWING No:

DATE: 9-22-11

**2 OF 13**

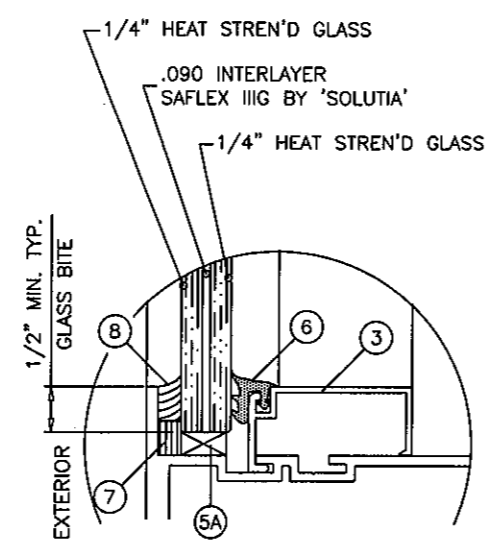
DWG: AD11-21

GLAZING OPTION

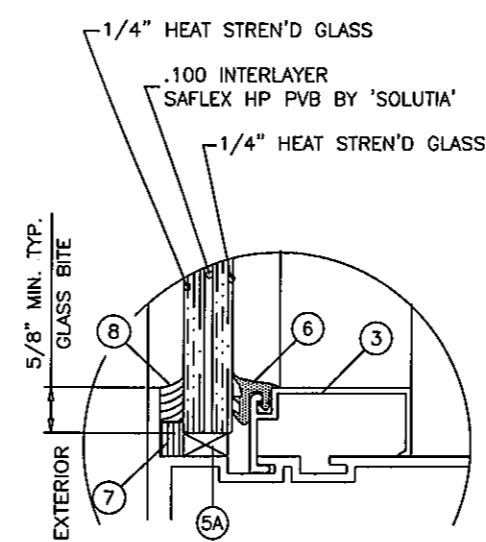


ALLOWABLE LOADS FOR ALTERNATE SHAPES AS SHOWN ABOVE OR SIMILAR CAN BE VERIFIED BY INSCRIBING PICTURE WINDOW SHAPE WITHIN SQUARE OR RECTANGLE AS SHOWN IN DOTTED LINES AND OBTAINING ALLOWABLE LOADS FROM THOSE SHAPES. SINGLE LITES MAY BE INSTALLED VERTICALLY AS SHOWN ABOVE OR HORIZONTALLY.

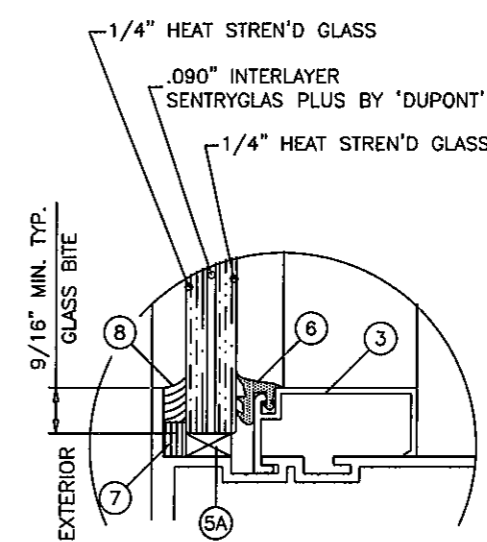
FOR ALTERNATE SHAPES LIMIT MAX. LOADS TO ±90.0 PSF  
SEE SHEET 3 FOR D.L.O. WIDTHS AND HEIGHTS.  
USE ANCHOR TYPE 'D' AT 3" FROM FRAME ENDS AND 12" O.C. MAX. SPACING.



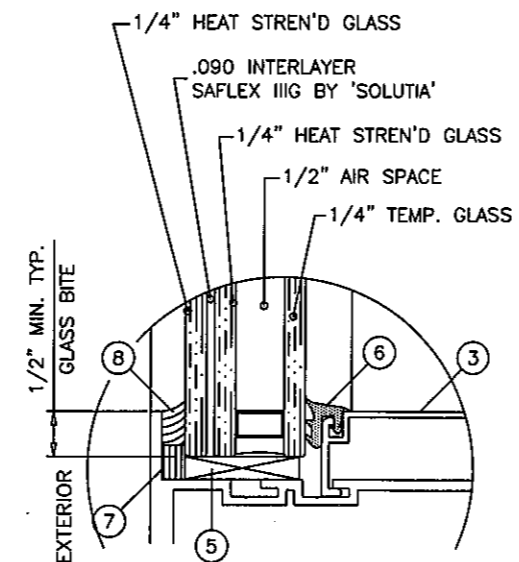
**GLASS TYPE 'A'**  
9/16" NOMINAL OVERALL



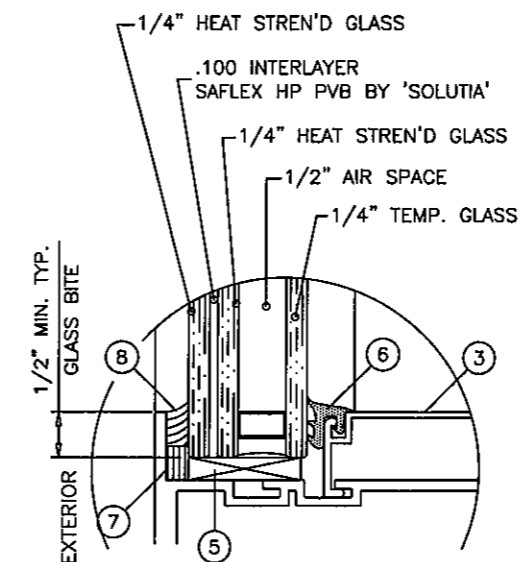
**GLASS TYPE 'B'**  
9/16" NOMINAL OVERALL



**GLASS TYPE 'C'**  
9/16" NOMINAL OVERALL



**GLASS TYPE 'A1'**  
1-5/16" NOMINAL OVERALL



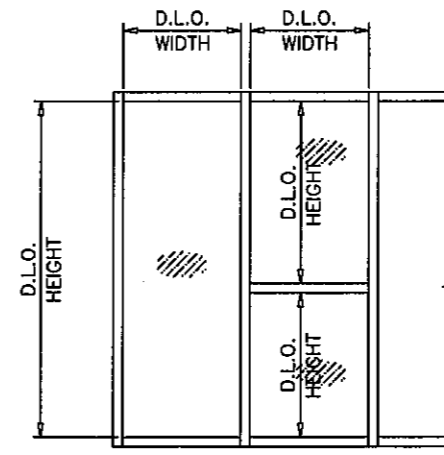
**GLASS TYPE 'B1'**  
1-5/16" NOMINAL OVERALL

| GLASS LOAD CAPACITY - PSF |               |                      |                      |                      |                      |                      |       |
|---------------------------|---------------|----------------------|----------------------|----------------------|----------------------|----------------------|-------|
| NOMINAL DIMS.             |               | GLASS 'A'            | GLASS 'A1'           | GLASS 'B'            | GLASS 'B1'           | GLASS 'C'            |       |
| D.L.O. WIDTH              | D.L.O. HEIGHT | EXT. (+)<br>INT. (-) | EXT. (+)<br>INT. (-) | EXT. (+)<br>INT. (-) | EXT. (+)<br>INT. (-) | EXT. (+)<br>INT. (-) |       |
| 20"                       | 68"           | 70.0                 | 80.0                 | 100.0                | 100.0                | 100.0                |       |
| 26"                       |               | 70.0                 | 80.0                 | 100.0                | 100.0                | 100.0                |       |
| 32"                       |               | 70.0                 | 80.0                 | 100.0                | 100.0                | 100.0                |       |
| 38"                       |               | 70.0                 | 80.0                 | 100.0                | 100.0                | 100.0                |       |
| 44"                       |               | 70.0                 | 80.0                 | 100.0                | 100.0                | 100.0                |       |
| 50"                       |               | 70.0                 | 80.0                 | 100.0                | 100.0                | 100.0                |       |
| 56"                       |               | 70.0                 | 80.0                 | 100.0                | 100.0                | 100.0                |       |
| 62"                       |               | 70.0                 | 80.0                 | 100.0                | 100.0                | 100.0                |       |
| 68"                       |               | 70.0                 | -                    | 100.0                | 100.0                | 100.0                |       |
| 72"                       |               | 70.0                 | -                    | 100.0                | 100.0                | 100.0                |       |
| 20"                       |               | 74"                  | 70.0                 | 80.0                 | 100.0                | 100.0                | 100.0 |
| 26"                       |               |                      | 70.0                 | 80.0                 | 100.0                | 100.0                | 100.0 |
| 32"                       | 70.0          |                      | 80.0                 | 100.0                | 100.0                | 100.0                |       |
| 38"                       | 70.0          |                      | 80.0                 | 100.0                | 100.0                | 100.0                |       |
| 44"                       | 70.0          |                      | 80.0                 | 100.0                | 100.0                | 100.0                |       |
| 50"                       | 70.0          |                      | 80.0                 | 100.0                | 100.0                | 100.0                |       |
| 56"                       | 70.0          |                      | 80.0                 | 100.0                | 100.0                | 100.0                |       |
| 62"                       | 70.0          |                      | -                    | 100.0                | 100.0                | 100.0                |       |
| 68"                       | -             |                      | -                    | 100.0                | 100.0                | 100.0                |       |
| 72"                       | -             |                      | -                    | 100.0                | 100.0                | 100.0                |       |
| 20"                       | 80"           |                      | 70.0                 | 80.0                 | 100.0                | 100.0                | 100.0 |
| 26"                       |               |                      | 70.0                 | 80.0                 | 100.0                | 100.0                | 100.0 |
| 32"                       |               | 70.0                 | 80.0                 | 100.0                | 100.0                | 100.0                |       |
| 38"                       |               | 70.0                 | 80.0                 | 100.0                | 100.0                | 100.0                |       |
| 44"                       |               | 70.0                 | 80.0                 | 100.0                | 100.0                | 100.0                |       |
| 50"                       |               | 70.0                 | 80.0                 | 100.0                | 100.0                | 100.0                |       |
| 56"                       |               | 70.0                 | -                    | 100.0                | 100.0                | 100.0                |       |
| 62"                       |               | -                    | -                    | 100.0                | 100.0                | 100.0                |       |
| 68"                       |               | -                    | -                    | 100.0                | 100.0                | 100.0                |       |
| 72"                       |               | -                    | -                    | 100.0                | 100.0                | 100.0                |       |
| 20"                       |               | 86"                  | 70.0                 | 80.0                 | 100.0                | 100.0                | 100.0 |
| 26"                       |               |                      | 70.0                 | 80.0                 | 100.0                | 100.0                | 100.0 |
| 32"                       | 70.0          |                      | 80.0                 | 100.0                | 100.0                | 100.0                |       |
| 38"                       | 70.0          |                      | 80.0                 | 100.0                | 100.0                | 100.0                |       |
| 44"                       | 70.0          |                      | 80.0                 | 100.0                | 100.0                | 100.0                |       |
| 50"                       | 70.0          |                      | -                    | 100.0                | 100.0                | 100.0                |       |
| 56"                       | 70.0          |                      | -                    | 100.0                | 100.0                | 100.0                |       |
| 62"                       | -             |                      | -                    | 100.0                | 100.0                | 100.0                |       |
| 68"                       | -             |                      | -                    | 100.0                | 100.0                | 100.0                |       |
| 72"                       | -             |                      | -                    | 100.0                | 100.0                | 100.0                |       |
| 20"                       | 92"           |                      | 70.0                 | 80.0                 | 100.0                | 100.0                | 100.0 |
| 26"                       |               |                      | 70.0                 | 80.0                 | 100.0                | 100.0                | 100.0 |
| 32"                       |               | 70.0                 | 80.0                 | 100.0                | 100.0                | 100.0                |       |
| 38"                       |               | 70.0                 | 80.0                 | 100.0                | 100.0                | 100.0                |       |
| 44"                       |               | 70.0                 | 80.0                 | 100.0                | 100.0                | 100.0                |       |
| 50"                       |               | 70.0                 | -                    | 100.0                | 100.0                | 100.0                |       |
| 56"                       |               | -                    | -                    | 100.0                | 100.0                | 100.0                |       |
| 62"                       |               | -                    | -                    | 100.0                | 100.0                | 100.0                |       |
| 68"                       |               | -                    | -                    | 100.0                | 100.0                | 100.0                |       |
| 72"                       |               | -                    | -                    | 100.0                | 100.0                | -                    |       |

| GLASS LOAD CAPACITY - PSF |               |                      |                      |                      |                      |                      |       |
|---------------------------|---------------|----------------------|----------------------|----------------------|----------------------|----------------------|-------|
| NOMINAL DIMS.             |               | GLASS 'A'            | GLASS 'A1'           | GLASS 'B'            | GLASS 'B1'           | GLASS 'C'            |       |
| D.L.O. WIDTH              | D.L.O. HEIGHT | EXT. (+)<br>INT. (-) | EXT. (+)<br>INT. (-) | EXT. (+)<br>INT. (-) | EXT. (+)<br>INT. (-) | EXT. (+)<br>INT. (-) |       |
| 20"                       | 98"           | 70.0                 | 80.0                 | 100.0                | 100.0                | 100.0                |       |
| 26"                       |               | 70.0                 | 80.0                 | 100.0                | 100.0                | 100.0                |       |
| 32"                       |               | 70.0                 | 80.0                 | 100.0                | 100.0                | 100.0                |       |
| 38"                       |               | 70.0                 | 80.0                 | 100.0                | 100.0                | 100.0                |       |
| 44"                       |               | 70.0                 | -                    | 100.0                | 100.0                | 100.0                |       |
| 50"                       |               | -                    | -                    | 100.0                | 100.0                | 100.0                |       |
| 56"                       |               | -                    | -                    | 100.0                | 100.0                | 100.0                |       |
| 62"                       |               | -                    | -                    | 100.0                | 100.0                | 100.0                |       |
| 68"                       |               | -                    | -                    | 100.0                | 100.0                | -                    |       |
| 20"                       |               | 104"                 | 70.0                 | 80.0                 | 100.0                | 100.0                | 100.0 |
| 26"                       |               |                      | 70.0                 | 80.0                 | 100.0                | 100.0                | 100.0 |
| 32"                       |               |                      | 70.0                 | 80.0                 | 100.0                | 100.0                | 100.0 |
| 38"                       | 70.0          |                      | 80.0                 | 100.0                | 100.0                | 100.0                |       |
| 44"                       | 70.0          |                      | -                    | 100.0                | 100.0                | 100.0                |       |
| 50"                       | -             |                      | -                    | 100.0                | 100.0                | 100.0                |       |
| 56"                       | -             |                      | -                    | 100.0                | 100.0                | 100.0                |       |
| 62"                       | -             |                      | -                    | 100.0                | 100.0                | 100.0                |       |
| 20"                       | 110"          |                      | 70.0                 | 80.0                 | 100.0                | 100.0                | 100.0 |
| 26"                       |               |                      | 70.0                 | 80.0                 | 100.0                | 100.0                | 100.0 |
| 32"                       |               |                      | 70.0                 | 80.0                 | 100.0                | 100.0                | 100.0 |
| 38"                       |               |                      | 70.0                 | 80.0                 | 100.0                | 100.0                | 100.0 |
| 44"                       |               | 70.0                 | -                    | 100.0                | 100.0                | 100.0                |       |
| 50"                       |               | -                    | -                    | 100.0                | 100.0                | 100.0                |       |
| 56"                       |               | -                    | -                    | 100.0                | 100.0                | 100.0                |       |
| 62"                       |               | -                    | -                    | 97.5                 | 100.0                | -                    |       |
| 20"                       |               | 116"                 | 70.0                 | 80.0                 | 100.0                | 100.0                | 100.0 |
| 26"                       |               |                      | 70.0                 | 80.0                 | 100.0                | 100.0                | 100.0 |
| 32"                       |               |                      | 70.0                 | 80.0                 | 100.0                | 100.0                | 100.0 |
| 38"                       |               |                      | 70.0                 | -                    | 100.0                | 100.0                | 100.0 |
| 44"                       | -             |                      | -                    | 100.0                | 100.0                | 100.0                |       |
| 50"                       | -             |                      | -                    | 100.0                | 100.0                | 100.0                |       |
| 56"                       | -             |                      | -                    | 97.9                 | 100.0                | 97.9                 |       |
| 58-3/4"                   | -             |                      | -                    | 94.6                 | 100.0                | -                    |       |
| 20"                       | 122"          |                      | 70.0                 | 80.0                 | 100.0                | 100.0                | 100.0 |
| 26"                       |               |                      | 70.0                 | 80.0                 | 100.0                | 100.0                | 100.0 |
| 32"                       |               |                      | 70.0                 | 80.0                 | 100.0                | 100.0                | 100.0 |
| 38"                       |               |                      | 70.0                 | -                    | 100.0                | 100.0                | 100.0 |
| 44"                       |               | -                    | -                    | 100.0                | 100.0                | 100.0                |       |
| 50"                       |               | -                    | -                    | 100.0                | 100.0                | 100.0                |       |
| 20"                       |               | 128"                 | 70.0                 | 80.0                 | 100.0                | 100.0                | 100.0 |
| 26"                       |               |                      | 70.0                 | 80.0                 | 100.0                | 100.0                | 100.0 |
| 32"                       |               |                      | 70.0                 | 80.0                 | 100.0                | 100.0                | 100.0 |
| 38"                       |               |                      | 70.0                 | -                    | 100.0                | 100.0                | 100.0 |
| 44"                       |               |                      | -                    | -                    | 100.0                | 100.0                | 100.0 |
| 50"                       |               |                      | -                    | -                    | 100.0                | 100.0                | 100.0 |

| GLASS LOAD CAPACITY - PSF |               |                      |                      |                      |                      |                      |
|---------------------------|---------------|----------------------|----------------------|----------------------|----------------------|----------------------|
| NOMINAL DIMS.             |               | GLASS 'A'            | GLASS 'A1'           | GLASS 'B'            | GLASS 'B1'           | GLASS 'C'            |
| D.L.O. WIDTH              | D.L.O. HEIGHT | EXT. (+)<br>INT. (-) | EXT. (+)<br>INT. (-) | EXT. (+)<br>INT. (-) | EXT. (+)<br>INT. (-) | EXT. (+)<br>INT. (-) |
| 20"                       | 134"          | 70.0                 | 80.0                 | 100.0                | 100.0                | 100.0                |
| 26"                       |               | 70.0                 | 80.0                 | 100.0                | 100.0                | 100.0                |
| 32"                       |               | 70.0                 | -                    | 100.0                | 100.0                | 100.0                |
| 38"                       |               | -                    | -                    | 100.0                | 100.0                | 100.0                |
| 44"                       |               | -                    | -                    | 100.0                | 100.0                | 100.0                |
| 50"                       |               | -                    | -                    | 99.8                 | 100.0                | -                    |
| 20"                       | 140"          | 70.0                 | 80.0                 | 100.0                | 100.0                | 100.0                |
| 26"                       |               | 70.0                 | 80.0                 | 100.0                | 100.0                | 100.0                |
| 32"                       |               | 70.0                 | -                    | 100.0                | 100.0                | 100.0                |
| 38"                       |               | -                    | -                    | 100.0                | 100.0                | 100.0                |
| 44"                       |               | -                    | -                    | 100.0                | 100.0                | 100.0                |

NOTE:  
GLASS CAPACITIES ON THIS SHEET ARE  
BASED ON ASTM E1300/04 (3 SEC. GUSTS)



STEP 2: GLASS LOAD TABLES



http://www.trulite.com

800 FAIRWAY DRIVE, Suite 200  
DEERFIELD BEACH, FL 33441  
p. 800-432-8132 | f. 954-724-2083

PRODUCT:

**Resistor  
3100**  
STOREFRONT WALL-LMI



REVN DATE/REMARKS

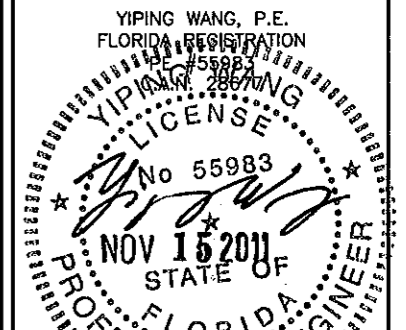
ENGINEER:



**MCY ENGINEERING, INC.**  
GLAZING CONSULTANT

9110 SW SUNSET DRIVE  
MIAMI, FL 33173  
P: 305-271-0117  
Email: MCY.Engineering@att.net  
www.MCYEngineering.com

STAMP:



PRODUCT CONTROL APPROVAL

PRODUCT REVISED  
as complying with the Florida  
Building Code  
Acceptance No 11-1117-02  
Expiration Date MARCH 31, 2015

By Mmanuel Pera  
Miami Dade Product Control

DRAWN: S.L.

DRAWING No:

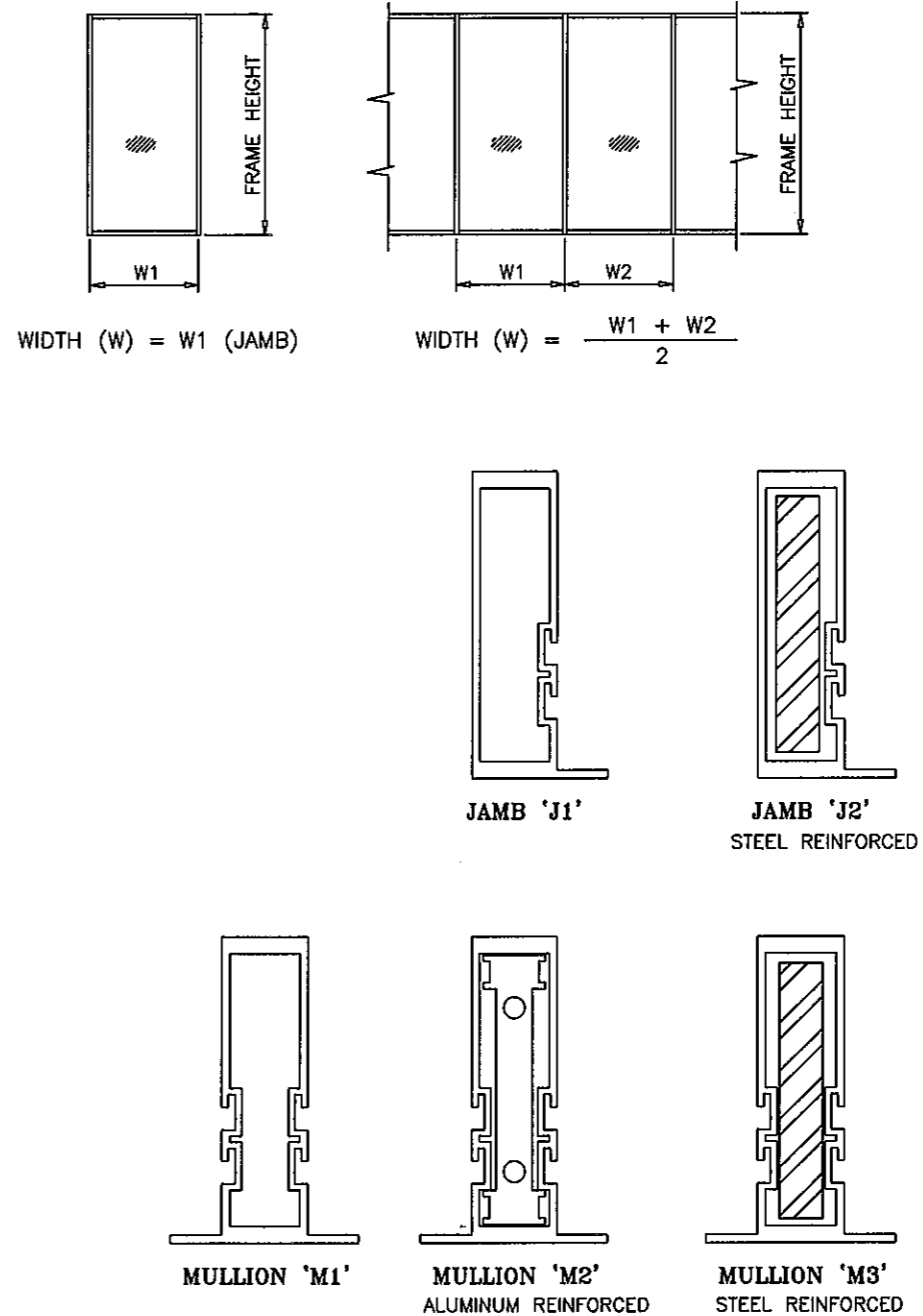
DATE: 9-22-11

**3 OF 13**

DWG: AD11-21

| JAMB/MULLION LOAD CAPACITY -- PSF<br>WITHOUT INTERMEDIATE HORIZONTALS |              |                      |                        |                        |
|---|--------------|----------------------|------------------------|------------------------|
| NOMINAL DIMS.   |              | MULL 'M1'            | JAMB 'J1'<br>MULL 'M2' | JAMB 'J2'<br>MULL 'M3' |
| WIDTH (W)   | FRAME HEIGHT | EXT. (+)<br>INT. (-) | EXT. (+)<br>INT. (-)   | EXT. (+)<br>INT. (-)   |
| 24"   | 78"          | 80.0                 | 100.0                  | 100.0                  |
| 30"   |              | 80.0                 | 100.0                  | 100.0                  |
| 36"   |              | 80.0                 | 100.0                  | 100.0                  |
| 42"   |              | 80.0                 | 100.0                  | 100.0                  |
| 48"   |              | 80.0                 | 100.0                  | 100.0                  |
| 54"   |              | 80.0                 | 100.0                  | 100.0                  |
| 60"   |              | 80.0                 | 100.0                  | 100.0                  |
| 66"   |              | -                    | 100.0                  | 100.0                  |
| 72"   | -            | 100.0                | 100.0                  |                        |
| 24"   | 84"          | 80.0                 | 100.0                  | 100.0                  |
| 30"   |              | 80.0                 | 100.0                  | 100.0                  |
| 36"   |              | 80.0                 | 100.0                  | 100.0                  |
| 42"   |              | 80.0                 | 100.0                  | 100.0                  |
| 48"   |              | 80.0                 | 100.0                  | 100.0                  |
| 54"   |              | 80.0                 | 100.0                  | 100.0                  |
| 60"   |              | 80.0                 | 100.0                  | 100.0                  |
| 66"   |              | -                    | 100.0                  | 100.0                  |
| 72"   | -            | 100.0                | 100.0                  |                        |
| 24"   | 90"          | 80.0                 | 100.0                  | 100.0                  |
| 30"   |              | 80.0                 | 100.0                  | 100.0                  |
| 36"   |              | 80.0                 | 100.0                  | 100.0                  |
| 42"   |              | 80.0                 | 100.0                  | 100.0                  |
| 48"   |              | 80.0                 | 100.0                  | 100.0                  |
| 54"   |              | 77.4                 | 100.0                  | 100.0                  |
| 60"   |              | -                    | 100.0                  | 100.0                  |
| 66"   |              | -                    | 100.0                  | 100.0                  |
| 72"   | -            | 100.0                | 100.0                  |                        |
| 24"   | 96"          | 80.0                 | 100.0                  | 100.0                  |
| 30"   |              | 80.0                 | 100.0                  | 100.0                  |
| 36"   |              | 80.0                 | 100.0                  | 100.0                  |
| 42"   |              | 80.0                 | 100.0                  | 100.0                  |
| 48"   |              | 72.8                 | 100.0                  | 100.0                  |
| 54"   |              | 66.3                 | 100.0                  | 100.0                  |
| 60"   |              | -                    | 96.8                   | 96.8                   |
| 66"   |              | -                    | 90.9                   | 90.9                   |
| 72"   | -            | 86.4                 | 86.4                   |                        |
| 24"   | 102"         | -                    | 100.0                  | 100.0                  |
| 30"   |              | -                    | 100.0                  | 100.0                  |
| 36"   |              | -                    | 100.0                  | 100.0                  |
| 42"   |              | -                    | 100.0                  | 100.0                  |
| 48"   |              | -                    | 99.5                   | 99.5                   |
| 54"   |              | -                    | 90.4                   | 90.4                   |
| 60"   |              | -                    | 83.3                   | 83.3                   |
| 66"   |              | -                    | 77.9                   | 77.9                   |
| 72"   | -            | 73.7                 | 73.7                   |                        |

| JAMB/MULLION LOAD CAPACITY -- PSF<br>WITHOUT INTERMEDIATE HORIZONTALS |              |                      |                        |                        |
|---|--------------|----------------------|------------------------|------------------------|
| NOMINAL DIMS.   |              | MULL 'M1'            | JAMB 'J1'<br>MULL 'M2' | JAMB 'J2'<br>MULL 'M3' |
| WIDTH (W)   | FRAME HEIGHT | EXT. (+)<br>INT. (-) | EXT. (+)<br>INT. (-)   | EXT. (+)<br>INT. (-)   |
| 24"   | 108"         | -                    | 100.0                  | 100.0                  |
| 30"   |              | -                    | 100.0                  | 100.0                  |
| 36"   |              | -                    | 100.0                  | 100.0                  |
| 42"   |              | -                    | 98.0                   | 98.0                   |
| 48"   |              | -                    | 87.1                   | 87.1                   |
| 54"   |              | -                    | 78.9                   | 78.9                   |
| 60"   |              | -                    | 72.5                   | 72.5                   |
| 66"   |              | -                    | 67.6                   | 67.6                   |
| 24"   | 114"         | -                    | 100.0                  | 100.0                  |
| 30"   |              | -                    | 100.0                  | 100.0                  |
| 36"   |              | -                    | 98.2                   | 98.2                   |
| 42"   |              | -                    | 85.4                   | 85.4                   |
| 48"   |              | -                    | 76.0                   | 76.0                   |
| 54"   |              | -                    | 69.0                   | 69.0                   |
| 60"   |              | -                    | 63.5                   | 63.5                   |
| 66"   |              | -                    | 60.0                   | 60.0                   |
| 24"   | 120"         | -                    | 100.0                  | 100.0                  |
| 30"   |              | -                    | 99.5                   | 99.5                   |
| 36"   |              | -                    | 83.8                   | 83.8                   |
| 42"   |              | -                    | 72.8                   | 72.8                   |
| 48"   |              | -                    | 64.7                   | 64.7                   |
| 54"   |              | -                    | 58.6                   | 60.0                   |
| 60"   |              | -                    | 53.8                   | 60.0                   |
| 66"   |              | -                    | 60.0                   | 60.0                   |
| 24"   | 126"         | -                    | -                      | 60.0                   |
| 30"   |              | -                    | -                      | 60.0                   |
| 36"   |              | -                    | -                      | 60.0                   |
| 42"   |              | -                    | -                      | 60.0                   |
| 48"   |              | -                    | -                      | 60.0                   |
| 54"   |              | -                    | -                      | 60.0                   |
| 60"   |              | -                    | -                      | 60.0                   |
| 66"   |              | -                    | -                      | 60.0                   |
| 24"   | 132"         | -                    | -                      | 60.0                   |
| 30"   |              | -                    | -                      | 60.0                   |
| 36"   |              | -                    | -                      | 60.0                   |
| 42"   |              | -                    | -                      | 60.0                   |
| 48"   |              | -                    | -                      | 60.0                   |
| 54"   |              | -                    | -                      | 60.0                   |
| 60"   |              | -                    | -                      | 60.0                   |
| 66"   |              | -                    | -                      | 60.0                   |
| 24"   | 138"         | -                    | -                      | 60.0                   |
| 30"   |              | -                    | -                      | 60.0                   |
| 36"   |              | -                    | -                      | 60.0                   |
| 42"   |              | -                    | -                      | 60.0                   |
| 48"   |              | -                    | -                      | 60.0                   |
| 54"   |              | -                    | -                      | 60.0                   |
| 60"   |              | -                    | -                      | 60.0                   |
| 66"   |              | -                    | -                      | 60.0                   |
| 24"   | 144"         | -                    | -                      | 60.0                   |
| 30"   |              | -                    | -                      | 60.0                   |
| 36"   |              | -                    | -                      | 60.0                   |
| 42"   |              | -                    | -                      | 60.0                   |
| 48"   |              | -                    | -                      | 60.0                   |
| 54"   |              | -                    | -                      | 60.0                   |
| 60"   |              | -                    | -                      | 60.0                   |
| 66"   |              | -                    | -                      | 60.0                   |
| 72"   | -            | -                    | 57.6                   |                        |



**Trulite**  
GLASS & ALUMINUM SOLUTIONS™  
http://www.trulite.com  
800 FAIRWAY DRIVE, Suite 200  
DEERFIELD BEACH, FL 33441  
p. 800-432-8132 | f. 954-724-2083

PRODUCT:  
**Resistor 3100**  
STOREFRONT WALL-LMI  
**Resistor**  
BLAST & STORM PROTECTION™

| REVN | DATE/REMARKS |
|------|--------------|
|      |              |
|      |              |
|      |              |

ENGINEER:  
**MCY ENGINEERING, INC.**  
GLAZING CONSULTANT  
9110 SW SUNSET DRIVE  
MIAMI, FL 33173  
P: 305-271-0117  
Email: MCY.Engineering@att.net  
www.MCYEngineering.com

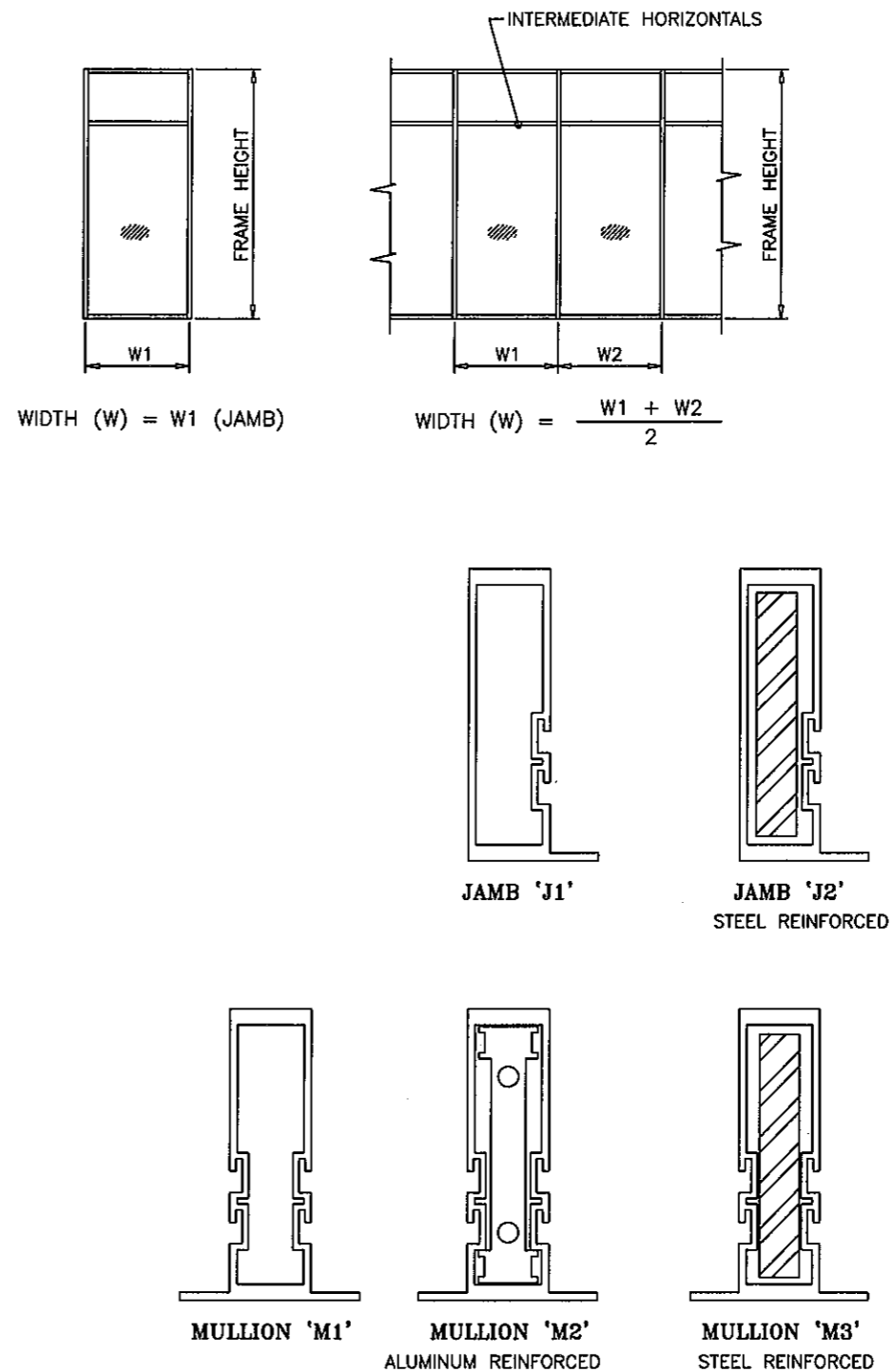
STAMP:  
YIPING WANG, P.E.  
FLORIDA REGISTRATION  
No. 55983  
NOV 15 2011  
STATE OF FLORIDA  
PROFESSIONAL ENGINEER

PRODUCT CONTROL APPROVAL:  
PRODUCT REVISED  
as complying with the Florida  
Building Code  
Acceptance No. 11-1117.02  
Expiration Date March 31, 2015  
By *Manuel Perez*  
Miami Dade Product Control

DRAWN: S.L. DRAWING No:  
DATE: 9-22-11 **4 OF 13**  
DWG: AD11-21

| JAMB/MULLION LOAD CAPACITY - PSF<br>WITH INTERMEDIATE HORIZONTALS |              |                      |                        |                        |
|---|--------------|----------------------|------------------------|------------------------|
| NOMINAL DIMS.   |              | MULL 'M1'            | JAMB 'J1'<br>MULL 'M2' | JAMB 'J2'<br>MULL 'M3' |
| WIDTH (W)   | FRAME HEIGHT | EXT. (+)<br>INT. (-) | EXT. (+)<br>INT. (-)   | EXT. (+)<br>INT. (-)   |
| 24"   | 78"          | 80.0                 | 100.0                  | 100.0                  |
| 30"   |              | 80.0                 | 100.0                  | 100.0                  |
| 36"   |              | 80.0                 | 100.0                  | 100.0                  |
| 42"   |              | 80.0                 | 100.0                  | 100.0                  |
| 48"   |              | 80.0                 | 100.0                  | 100.0                  |
| 54"   |              | 80.0                 | 100.0                  | 100.0                  |
| 60"   |              | 80.0                 | 100.0                  | 100.0                  |
| 66"   |              | -                    | 100.0                  | 100.0                  |
| 72"   | -            | 100.0                | 100.0                  |                        |
| 24"   | 84"          | 80.0                 | 100.0                  | 100.0                  |
| 30"   |              | 80.0                 | 100.0                  | 100.0                  |
| 36"   |              | 80.0                 | 100.0                  | 100.0                  |
| 42"   |              | 80.0                 | 100.0                  | 100.0                  |
| 48"   |              | 80.0                 | 100.0                  | 100.0                  |
| 54"   |              | 80.0                 | 100.0                  | 100.0                  |
| 60"   |              | 72.1                 | 100.0                  | 100.0                  |
| 66"   |              | -                    | 100.0                  | 100.0                  |
| 72"   | -            | 93.9                 | 93.9                   |                        |
| 24"   | 90"          | 80.0                 | 100.0                  | 100.0                  |
| 30"   |              | 80.0                 | 100.0                  | 100.0                  |
| 36"   |              | 80.0                 | 100.0                  | 100.0                  |
| 42"   |              | 80.0                 | 100.0                  | 100.0                  |
| 48"   |              | 78.6                 | 100.0                  | 100.0                  |
| 54"   |              | 69.8                 | 100.0                  | 100.0                  |
| 60"   |              | -                    | 97.0                   | 97.0                   |
| 66"   |              | -                    | 88.2                   | 88.2                   |
| 72"   | -            | 80.9                 | 80.9                   |                        |
| 24"   | 96"          | 80.0                 | 100.0                  | 100.0                  |
| 30"   |              | 80.0                 | 100.0                  | 100.0                  |
| 36"   |              | 80.0                 | 100.0                  | 100.0                  |
| 42"   |              | 78.9                 | 100.0                  | 100.0                  |
| 48"   |              | 69.0                 | 100.0                  | 100.0                  |
| 54"   |              | 61.4                 | 93.7                   | 93.7                   |
| 60"   |              | -                    | 84.3                   | 84.3                   |
| 66"   |              | -                    | 76.7                   | 76.7                   |
| 72"   | -            | 70.3                 | 70.3                   |                        |
| 24"   | 102"         | -                    | 100.0                  | 100.0                  |
| 30"   |              | -                    | 100.0                  | 100.0                  |
| 36"   |              | -                    | 100.0                  | 100.0                  |
| 42"   |              | -                    | 100.0                  | 100.0                  |
| 48"   |              | -                    | 92.9                   | 92.9                   |
| 54"   |              | -                    | 82.6                   | 82.6                   |
| 60"   |              | -                    | 74.3                   | 74.3                   |
| 66"   |              | -                    | 67.6                   | 67.6                   |
| 72"   | -            | 61.9                 | 61.9                   |                        |

| JAMB/MULLION LOAD CAPACITY - PSF<br>WITH INTERMEDIATE HORIZONTALS |              |                      |                        |                        |       |
|---|--------------|----------------------|------------------------|------------------------|-------|
| NOMINAL DIMS.   |              | MULL 'M1'            | JAMB 'J1'<br>MULL 'M2' | JAMB 'J2'<br>MULL 'M3' |       |
| WIDTH (W)   | FRAME HEIGHT | EXT. (+)<br>INT. (-) | EXT. (+)<br>INT. (-)   | EXT. (+)<br>INT. (-)   |       |
| 24"   | 108"         | -                    | 100.0                  | 100.0                  |       |
| 30"   |              | -                    | 100.0                  | 100.0                  |       |
| 36"   |              | -                    | 100.0                  | 100.0                  |       |
| 42"   |              | -                    | 94.7                   | 94.7                   |       |
| 48"   |              | -                    | 82.9                   | 82.9                   |       |
| 54"   |              | -                    | 73.7                   | 73.7                   |       |
| 60"   |              | -                    | 66.3                   | 66.3                   |       |
| 66"   |              | -                    | 60.3                   | 60.3                   |       |
| 24"   | 114"         | -                    | 100.0                  | 100.0                  |       |
| 30"   |              | -                    | 100.0                  | 100.0                  |       |
| 36"   |              | -                    | 94.5                   | 94.5                   |       |
| 42"   |              | -                    | 81.0                   | 81.0                   |       |
| 48"   |              | -                    | 70.9                   | 70.9                   |       |
| 54"   |              | -                    | 63.0                   | 63.0                   |       |
| 60"   |              | -                    | 56.7                   | 60.0                   |       |
| 24"   |              | 120"                 | -                      | 100.0                  | 100.0 |
| 30"   | -            |                      | 97.3                   | 97.3                   |       |
| 36"   | -            |                      | 81.1                   | 81.1                   |       |
| 42"   | -            |                      | 69.5                   | 69.5                   |       |
| 48"   | -            |                      | 60.8                   | 60.8                   |       |
| 54"   | -            |                      | 54.0                   | 60.0                   |       |
| 60"   | -            |                      | 48.6                   | 60.0                   |       |
| 24"   | 126"         |                      | -                      | -                      | 60.0  |
| 30"   |              | -                    | -                      | 60.0                   |       |
| 36"   |              | -                    | -                      | 60.0                   |       |
| 42"   |              | -                    | -                      | 60.0                   |       |
| 48"   |              | -                    | -                      | 60.0                   |       |
| 54"   |              | -                    | -                      | 60.0                   |       |
| 24"   |              | 132"                 | -                      | -                      | 60.0  |
| 30"   |              |                      | -                      | -                      | 60.0  |
| 36"   | -            |                      | -                      | 60.0                   |       |
| 42"   | -            |                      | -                      | 60.0                   |       |
| 48"   | -            |                      | -                      | 60.0                   |       |
| 24"   | 138"         |                      | -                      | -                      | 60.0  |
| 30"   |              |                      | -                      | -                      | 60.0  |
| 36"   |              |                      | -                      | -                      | 60.0  |
| 42"   |              | -                    | -                      | 60.0                   |       |
| 48"   |              | -                    | -                      | 60.0                   |       |
| 24"   |              | 144"                 | -                      | -                      | 60.0  |
| 30"   |              |                      | -                      | -                      | 60.0  |
| 36"   |              |                      | -                      | -                      | 60.0  |
| 42"   | -            |                      | -                      | 60.0                   |       |
| 48"   | -            |                      | -                      | 55.2                   |       |



STEP 3: MULLION LOAD CAPACITIES

**Trulite**  
GLASS & ALUMINUM SOLUTIONS™

http://www.trulite.com

800 FAIRWAY DRIVE, Suite 200  
DEERFIELD BEACH, FL 33441  
p. 800-432-8132 | f. 954-724-2083

PRODUCT:

**Resistor**  
**3100**  
STOREFRONT WALL-LMI

**Resistor**  
BLAST & STORM PROTECTION™

REVN DATE/REMARKS

ENGINEER:

**MCY ENGINEERING, INC.**  
GLAZING CONSULTANT

9110 SW SUNSET DRIVE  
MIAMI, FL 33173  
P: 305-271-0117  
Email: MCY.Engineering@att.net  
www.MCYEngineering.com

STAMP:

YIPING WANG, P.E.  
FLORIDA REGISTRATION  
PE #55983  
NOV 15 2011  
STATE OF FLORIDA  
PROFESSIONAL ENGINEER

PRODUCT CONTROL APPROVAL:  
By *Manuel Sosa*  
Miami Dade Product Control

PRODUCT REVISED  
as complying with the Florida  
Building Code  
Acceptance No. 11-1117-02  
Expiration Date March 31, 2015

DRAWN: S.L.

DRAWING No:

DATE: 9-22-11

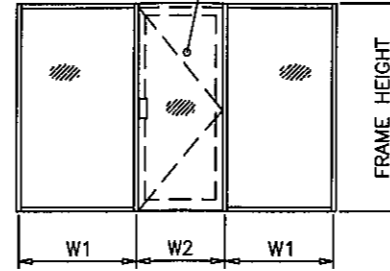
**5 OF 13**

DWG: AD11-21



| DOOR MULLION LOAD CAPACITY - PSF |              |                     |                   |
|----------------------------------|--------------|---------------------|-------------------|
| NOMINAL DIMS.                    |              | WITHOUT REINFORCING | WITH REINFORCING  |
| WIDTH (W)                        | FRAME HEIGHT | EXT.(+) / INT.(-)   | EXT.(+) / INT.(-) |
| 30"                              | 81-1/4"      | 87.0                | 87.0              |
| 36"                              |              | 87.0                | 87.0              |
| 42"                              |              | 87.0                | 87.0              |
| 48"                              |              | 87.0                | 87.0              |
| 54"                              |              | -                   | 87.0              |
| 60"                              | -            | 87.0                | 87.0              |
| 30"                              | 85-1/4"      | 87.0                | 87.0              |
| 36"                              |              | 87.0                | 87.0              |
| 42"                              |              | 87.0                | 87.0              |
| 48"                              |              | 84.5                | 87.0              |
| 54"                              |              | -                   | 87.0              |
| 60"                              | -            | 87.0                | 87.0              |
| 30"                              | 91-1/4"      | 87.0                | 87.0              |
| 36"                              |              | 87.0                | 87.0              |
| 42"                              |              | 80.7                | 87.0              |
| 48"                              |              | -                   | 87.0              |
| 54"                              |              | -                   | 87.0              |
| 60"                              | -            | 87.0                | 87.0              |
| 30"                              | 97-1/4"      | 87.0                | 87.0              |
| 36"                              |              | 77.8                | 87.0              |
| 42"                              |              | 66.7                | 87.0              |
| 48"                              |              | -                   | 87.0              |
| 54"                              |              | -                   | 87.0              |
| 60"                              | -            | 79.1                | 87.0              |
| 30"                              | 102"         | -                   | 87.0              |
| 36"                              |              | -                   | 87.0              |
| 42"                              |              | -                   | 87.0              |
| 48"                              |              | -                   | 87.0              |
| 54"                              |              | -                   | 79.9              |
| 60"                              | -            | 71.9                | 87.0              |
| 30"                              | 108"         | -                   | 87.0              |
| 36"                              |              | -                   | 87.0              |
| 42"                              |              | -                   | 87.0              |
| 48"                              |              | -                   | 79.3              |
| 54"                              |              | -                   | 70.5              |
| 60"                              | -            | 63.5                | 87.0              |
| 30"                              | 114"         | -                   | 87.0              |
| 36"                              |              | -                   | 87.0              |
| 42"                              |              | -                   | 77.1              |
| 48"                              |              | -                   | 67.5              |
| 54"                              |              | -                   | 60.0              |
| 60"                              | -            | 54.0                | 87.0              |
| 30"                              | 120"         | -                   | 87.0              |
| 36"                              |              | -                   | 77.1              |
| 42"                              |              | -                   | 66.1              |
| 48"                              |              | -                   | 57.8              |
| 54"                              |              | -                   | 51.4              |
| 60"                              | -            | 46.3                |                   |

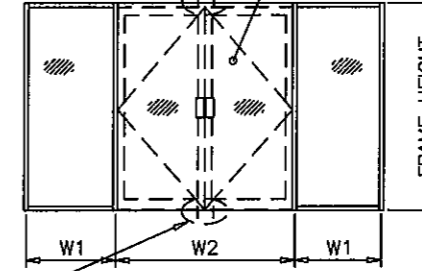
'TRULITE' DOORS  
SEE SEPARATE NOA



$$\text{WIDTH (W)} = \frac{W1 + W2}{2}$$

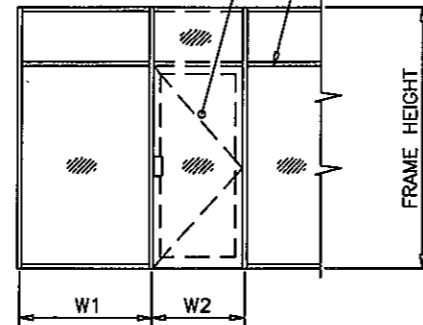
ANCHORS REQD.  
SEE DOOR NOA

'TRULITE' DOORS  
SEE SEPARATE NOA

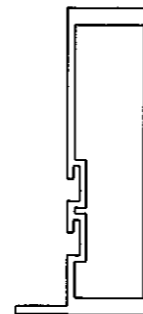


$$\text{WIDTH (W)} = \frac{W1}{2} + \frac{W2}{4}$$

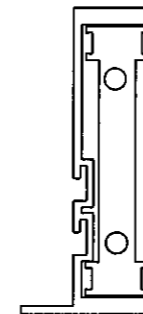
'TRULITE' DOORS  
SEE SEPARATE NOA



$$\text{WIDTH (W)} = \frac{W1 + W2}{2}$$



DOOR MULLION  
W/O REINF.



DOOR MULLION  
W/ ALUM. REINF.

STEP 3: MULLION LOAD CAPACITIES

**Trulite**  
GLASS & ALUMINUM SOLUTIONS™

http://www.trulite.com

800 FAIRWAY DRIVE, Suite 200  
DEERFIELD BEACH, FL 33441  
p. 800-432-8132 | f. 954-724-2083

PRODUCT:

**Resistor  
3100**  
STOREFRONT WALL-LMI

**Resistor**  
BLAST & STORM PROTECTION™

REVN DATE/REMARKS

ENGINEER:



**MCY ENGINEERING, INC.**  
GLAZING CONSULTANT

9110 SW SUNSET DRIVE  
MIAMI, FL 33173  
P: 305-271-0117  
Email: MCY.Engineering@att.net  
www.MCYEngineering.com

STAMP:



PRODUCT CONTROL APPROVAL:

PRODUCT REVISED  
as complying with the Florida  
Building Code  
Acceptance No 11-1117.02  
Expiration Date March 31, 2015  
By *Manuel Perez*  
Miami Dade Product Control

DRAWN: S.L.

DRAWING No:

DATE: 9-22-11

**6 OF 13**

DWG: AD11-21

PRODUCT:

**Resistor  
3100**  
STOREFRONT WALL-LMI

**Resistor**  
BLAST & STORM PROTECTION™

REV# DATE/REMARKS

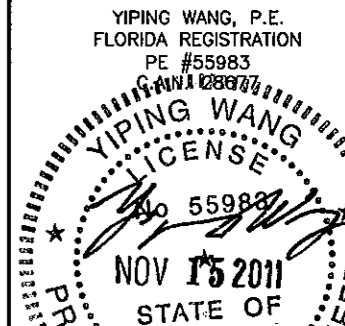
ENGINEER:



**MCY ENGINEERING, INC.**  
GLAZING CONSULTANT

9110 SW SUNSET DRIVE  
MIAMI, FL 33173  
P: 305-271-0117  
Email: MCY.Engineering@att.net  
www.MCYEngineering.com

STAMP:



PRODUCT CONTROL APPROVAL  
PROFESSIONAL ENGINEER

PRODUCT REVISED  
as complying with the Florida  
Building Code  
Acceptance No. 11-1117.02  
Expiration Date MARCH 31, 2015

By *Maurice Jones*  
Miami Dade Product Control

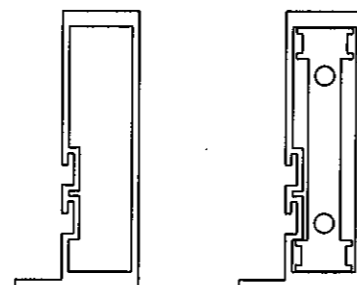
DRAWN: S.L. DRAWING No:

DATE: 9-22-11 **7 OF 13**

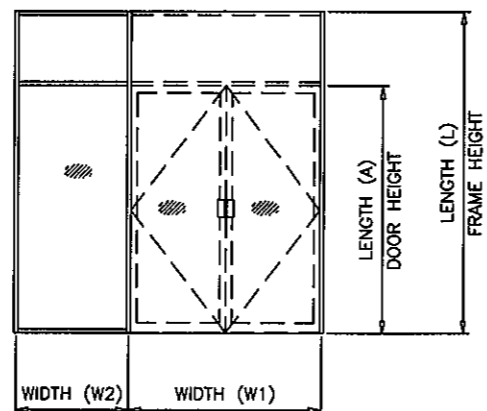
DWG: AD11-21

| DOOR MULLION LOAD CAPACITY - PSF<br>AT DOUBLE DOOR WITH TRANSOM |            |            |            |                     |                  |
|---|------------|------------|------------|---------------------|------------------|
| NOMINAL DIMS.   |            |            |            | WITHOUT REINFORCING | WITH REINFORCING |
| WIDTH (W1)  | WIDTH (W2) | LENGTH (A) | LENGTH (L) | EXT.(+) INT.(-)     | EXT.(+) INT.(-)  |
| 60"   | 30"        | 96"        | 102"       | 78.3                | 87.0             |
|   | 33"        |            |            | 75.0                | 87.0             |
|   | 36"        |            |            | 71.9                | 87.0             |
|   | 39"        |            |            | 69.0                | 87.0             |
|   | 42"        |            |            | 66.4                | 87.0             |
|   | 48"        |            |            | 61.7                | 87.0             |
| 72"   | 30"        | 96"        | 102"       | 71.0                | 87.0             |
|   | 33"        |            |            | 68.3                | 87.0             |
|   | 36"        |            |            | 65.7                | 87.0             |
|   | 39"        |            |            | 63.3                | 87.0             |
|   | 42"        |            |            | 61.1                | 87.0             |
|   | 48"        |            |            | 57.1                | 87.0             |
| 60"   | 30"        | 96"        | 108"       | 62.6                | 87.0             |
|   | 33"        |            |            | 60.0                | 87.0             |
|   | 36"        |            |            | 57.7                | 87.0             |
|   | 39"        |            |            | 55.5                | 87.0             |
|   | 42"        |            |            | 53.5                | 87.0             |
|   | 48"        |            |            | 49.8                | 86.2             |
| 72"   | 30"        | 96"        | 108"       | 56.5                | 87.0             |
|   | 33"        |            |            | 54.4                | 87.0             |
|   | 36"        |            |            | 52.5                | 87.0             |
|   | 39"        |            |            | 50.6                | 87.0             |
|   | 42"        |            |            | 49.0                | 84.7             |
|   | 48"        |            |            | 45.9                | 79.4             |
| 60"   | 30"        | 96"        | 114"       | 50.9                | 87.0             |
|   | 33"        |            |            | 48.9                | 84.7             |
|   | 36"        |            |            | 47.1                | 81.5             |
|   | 39"        |            |            | 45.4                | 78.5             |
|   | 42"        |            |            | 43.8                | 75.8             |
|   | 48"        |            |            | 40.9                | 70.8             |
| 72"   | 30"        | 96"        | 114"       | 45.8                | 79.3             |
|   | 33"        |            |            | 44.2                | 76.5             |
|   | 36"        |            |            | 42.7                | 73.8             |
|   | 39"        |            |            | 41.3                | 71.4             |
|   | 42"        |            |            | 39.9                | 69.1             |
|   | 48"        |            |            | 37.5                | 65.0             |
| 60"   | 30"        | 96"        | 114"       | 35.4                | 61.3             |

| DOOR MULLION LOAD CAPACITY - PSF<br>AT DOUBLE DOOR WITH TRANSOM |            |            |            |                     |                  |
|---|------------|------------|------------|---------------------|------------------|
| NOMINAL DIMS.   |            |            |            | WITHOUT REINFORCING | WITH REINFORCING |
| WIDTH (W1)  | WIDTH (W2) | LENGTH (A) | LENGTH (L) | EXT.(+) INT.(-)     | EXT.(+) INT.(-)  |
| 60"   | 30"        | 96"        | 120"       | 42.1                | 72.9             |
|   | 33"        |            |            | 40.5                | 70.1             |
|   | 36"        |            |            | 39.1                | 67.6             |
|   | 39"        |            |            | 37.7                | 65.2             |
|   | 42"        |            |            | 36.4                | 63.0             |
|   | 48"        |            |            | 34.1                | 59.0             |
| 72"   | 30"        | 96"        | 120"       | 37.8                | 65.4             |
|   | 33"        |            |            | 36.5                | 63.2             |
|   | 36"        |            |            | 35.3                | 61.1             |
|   | 39"        |            |            | 34.2                | 59.1             |
|   | 42"        |            |            | 33.1                | 57.3             |
|   | 48"        |            |            | 31.2                | 54.0             |



DOOR MULLION W/O REINF. DOOR MULLION W/ ALUM. REINF.



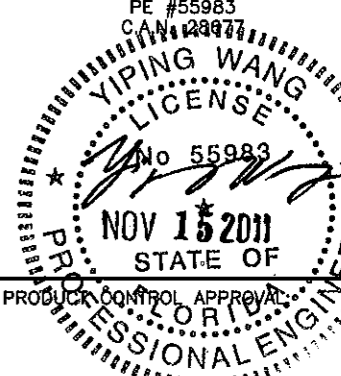
| DOOR MULLION LOAD CAPACITY - PSF<br>AT DOUBLE DOOR WITH TRANSOM |            |            |            |                     |                  |
|---|------------|------------|------------|---------------------|------------------|
| NOMINAL DIMS.   |            |            |            | WITHOUT REINFORCING | WITH REINFORCING |
| WIDTH (W1)  | WIDTH (W2) | LENGTH (A) | LENGTH (L) | EXT.(+) INT.(-)     | EXT.(+) INT.(-)  |
| 60"   | 30"        | 90"        | 96"        | 87.0                | 87.0             |
|   | 33"        |            |            | 87.0                | 87.0             |
|   | 36"        |            |            | 84.2                | 87.0             |
|   | 39"        |            |            | 80.8                | 87.0             |
|   | 42"        |            |            | 77.8                | 87.0             |
|   | 48"        |            |            | 72.2                | 87.0             |
| 72"   | 30"        | 90"        | 96"        | 83.4                | 87.0             |
|   | 33"        |            |            | 80.1                | 87.0             |
|   | 36"        |            |            | 77.0                | 87.0             |
|   | 39"        |            |            | 74.2                | 87.0             |
|   | 42"        |            |            | 71.6                | 87.0             |
|   | 48"        |            |            | 66.9                | 87.0             |
| 60"   | 30"        | 90"        | 102"       | 73.8                | 87.0             |
|   | 33"        |            |            | 70.8                | 87.0             |
|   | 36"        |            |            | 68.1                | 87.0             |
|   | 39"        |            |            | 65.5                | 87.0             |
|   | 42"        |            |            | 63.1                | 87.0             |
|   | 48"        |            |            | 58.9                | 87.0             |
| 72"   | 30"        | 90"        | 102"       | 66.6                | 87.0             |
|   | 33"        |            |            | 64.1                | 87.0             |
|   | 36"        |            |            | 61.9                | 87.0             |
|   | 39"        |            |            | 59.8                | 87.0             |
|   | 42"        |            |            | 57.8                | 87.0             |
|   | 48"        |            |            | 54.2                | 87.0             |
| 60"   | 30"        | 90"        | 108"       | 59.4                | 87.0             |
|   | 33"        |            |            | 57.1                | 87.0             |
|   | 36"        |            |            | 55.0                | 87.0             |
|   | 39"        |            |            | 53.0                | 87.0             |
|   | 42"        |            |            | 51.2                | 87.0             |
|   | 48"        |            |            | 47.8                | 82.8             |
| 72"   | 30"        | 90"        | 108"       | 53.4                | 87.0             |
|   | 33"        |            |            | 51.6                | 87.0             |
|   | 36"        |            |            | 49.8                | 86.2             |
|   | 39"        |            |            | 48.2                | 83.4             |
|   | 42"        |            |            | 46.6                | 80.7             |
|   | 48"        |            |            | 43.9                | 75.9             |
| 60"   | 30"        | 90"        | 108"       | 41.4                | 71.6             |

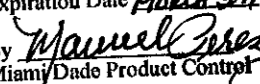
PRODUCT:  
**Resistor 3100**  
STOREFRONT WALL-LMI

**Resistor**  
BLAST & STORM PROTECTION™

| REV# | DATE/REMARKS |
|------|--------------|
|      |              |
|      |              |
|      |              |

ENGINEER:   
**MCY ENGINEERING, INC.**  
GLAZING CONSULTANT  
9110 SW SUNSET DRIVE  
MIAMI, FL 33173  
P: 305-271-0117  
Email: MCY.Engineering@att.net  
www.MCYEngineering.com

STAMP:  
YIPING WANG, P.E.  
FLORIDA REGISTRATION  
PE #55983  
CAN 20077  
  
NOV 15 2011  
STATE OF FLORIDA  
PROFESSIONAL ENGINEER

PRODUCT REVISED  
as complying with the Florida  
Building Code  
Acceptance No 11-1117-02  
Expiration Date March 31, 2015  
By   
Miami Dade Product Control

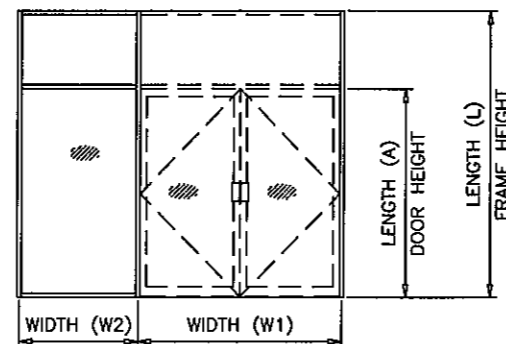
DRAWN: S.L.      DRAWING No:  
DATE: 9-22-11      **8 OF 13**  
DWG: AD11-21

| DOOR MULLION LOAD CAPACITY - PSF AT DOUBLE DOOR WITH TRANSOM |            |            |            |                     |                  |
|--|------------|------------|------------|---------------------|------------------|
| NOMINAL DIMS.  |            |            |            | WITHOUT REINFORCING | WITH REINFORCING |
| WIDTH (W1)   | WIDTH (W2) | LENGTH (A) | LENGTH (L) | EXT.(+) INT.(-)     | EXT.(+) INT.(-)  |
| 60"  | 30"        | 84"        | 90"        | 87.0                | 87.0             |
|  | 33"        |            |            | 87.0                | 87.0             |
|  | 36"        |            |            | 87.0                | 87.0             |
|  | 39"        |            |            | 87.0                | 87.0             |
|  | 42"        |            |            | 87.0                | 87.0             |
|  | 48"        |            |            | 82.7                | 87.0             |
| 54"  | 77.3       | 87.0       |            |                     |                  |
| 72"  | 30"        | 84"        | 90"        | 87.0                | 87.0             |
|  | 33"        |            |            | 87.0                | 87.0             |
|  | 36"        |            |            | 87.0                | 87.0             |
|  | 39"        |            |            | 84.9                | 87.0             |
|  | 42"        |            |            | 81.9                | 87.0             |
|  | 48"        |            |            | 76.6                | 87.0             |
| 54"  | 71.9       | 87.0       |            |                     |                  |
| 60"  | 30"        | 84"        | 96"        | 87.0                | 87.0             |
|  | 33"        |            |            | 84.0                | 87.0             |
|  | 36"        |            |            | 80.7                | 87.0             |
|  | 39"        |            |            | 77.7                | 87.0             |
|  | 42"        |            |            | 74.8                | 87.0             |
|  | 48"        |            |            | 69.7                | 87.0             |
| 54"  | 65.3       | 87.0       |            |                     |                  |
| 72"  | 30"        | 84"        | 96"        | 79.0                | 87.0             |
|  | 33"        |            |            | 76.1                | 87.0             |
|  | 36"        |            |            | 73.4                | 87.0             |
|  | 39"        |            |            | 70.9                | 87.0             |
|  | 42"        |            |            | 68.5                | 87.0             |
|  | 48"        |            |            | 64.2                | 87.0             |
| 54"  | 60.4       | 87.0       |            |                     |                  |
| 60"  | 30"        | 84"        | 102"       | 70.0                | 87.0             |
|  | 33"        |            |            | 67.3                | 87.0             |
|  | 36"        |            |            | 64.8                | 87.0             |
|  | 39"        |            |            | 62.4                | 87.0             |
|  | 42"        |            |            | 60.3                | 87.0             |
|  | 48"        |            |            | 56.4                | 87.0             |
| 54"  | 53.0       | 87.0       |            |                     |                  |
| 72"  | 30"        | 84"        | 102"       | 62.8                | 87.0             |
|  | 33"        |            |            | 60.7                | 87.0             |
|  | 36"        |            |            | 58.6                | 87.0             |
|  | 39"        |            |            | 56.7                | 87.0             |
|  | 42"        |            |            | 54.9                | 87.0             |
|  | 48"        |            |            | 51.7                | 87.0             |
| 54"  | 48.8       | 83.9       |            |                     |                  |

| DOOR MULLION LOAD CAPACITY - PSF AT DOUBLE DOOR WITH TRANSOM |            |            |            |                     |                  |
|--|------------|------------|------------|---------------------|------------------|
| NOMINAL DIMS.  |            |            |            | WITHOUT REINFORCING | WITH REINFORCING |
| WIDTH (W1)   | WIDTH (W2) | LENGTH (A) | LENGTH (L) | EXT.(+) INT.(-)     | EXT.(+) INT.(-)  |
| 60"  | 30"        | 84"        | 108"       | 56.8                | 87.0             |
|  | 33"        |            |            | 54.7                | 87.0             |
|  | 36"        |            |            | 52.7                | 87.0             |
|  | 39"        |            |            | 50.9                | 87.0             |
|  | 42"        |            |            | 49.2                | 85.1             |
|  | 48"        |            |            | 46.1                | 79.8             |
| 54"  | 43.4       | 75.1       |            |                     |                  |
| 72"  | 30"        | 84"        | 108"       | 50.9                | 87.0             |
|  | 33"        |            |            | 49.2                | 85.1             |
|  | 36"        |            |            | 47.6                | 82.4             |
|  | 39"        |            |            | 46.1                | 79.8             |
|  | 42"        |            |            | 44.7                | 77.4             |
|  | 48"        |            |            | 42.1                | 72.9             |
| 54"  | 39.9       | 69.0       |            |                     |                  |
| 60"  | 30"        | 84"        | 114"       | 46.9                | 81.2             |
|  | 33"        |            |            | 45.2                | 78.3             |
|  | 36"        |            |            | 43.7                | 75.5             |
|  | 39"        |            |            | 42.2                | 73.0             |
|  | 42"        |            |            | 40.8                | 70.6             |
|  | 48"        |            |            | 38.3                | 66.3             |
| 54"  | 36.1       | 62.5       |            |                     |                  |
| 72"  | 30"        | 84"        | 114"       | 42.0                | 72.6             |
|  | 33"        |            |            | 40.6                | 70.3             |
|  | 36"        |            |            | 39.3                | 68.0             |
|  | 39"        |            |            | 38.1                | 66.0             |
|  | 42"        |            |            | 37.0                | 64.0             |
|  | 48"        |            |            | 34.9                | 60.4             |
| 54"  | 33.1       | 57.2       |            |                     |                  |
| 60"  | 30"        | 84"        | 120"       | 39.3                | 68.1             |
|  | 33"        |            |            | 38.0                | 65.7             |
|  | 36"        |            |            | 36.7                | 63.4             |
|  | 39"        |            |            | 35.4                | 61.3             |
|  | 42"        |            |            | 34.3                | 59.4             |
|  | 48"        |            |            | 32.2                | 55.8             |
| 54"  | 30.4       | 52.6       |            |                     |                  |
| 72"  | 30"        | 84"        | 120"       | 35.1                | 60.8             |
|  | 33"        |            |            | 34.0                | 58.8             |
|  | 36"        |            |            | 33.0                | 57.0             |
|  | 39"        |            |            | 32.0                | 55.3             |
|  | 42"        |            |            | 31.0                | 53.7             |
|  | 48"        |            |            | 29.3                | 50.8             |

| DOOR MULLION LOAD CAPACITY - PSF AT DOUBLE DOOR WITH TRANSOM |            |            |            |                     |                  |
|--|------------|------------|------------|---------------------|------------------|
| NOMINAL DIMS.  |            |            |            | WITHOUT REINFORCING | WITH REINFORCING |
| WIDTH (W1)   | WIDTH (W2) | LENGTH (A) | LENGTH (L) | EXT.(+) INT.(-)     | EXT.(+) INT.(-)  |
| 60"  | 30"        | 80"        | 90"        | 87.0                | 87.0             |
|  | 33"        |            |            | 87.0                | 87.0             |
|  | 36"        |            |            | 87.0                | 87.0             |
|  | 39"        |            |            | 87.0                | 87.0             |
|  | 42"        |            |            | 86.6                | 87.0             |
|  | 48"        |            |            | 80.7                | 87.0             |
| 54"  | 75.5       | 87.0       |            |                     |                  |
| 72"  | 30"        | 80"        | 90"        | 87.0                | 87.0             |
|  | 33"        |            |            | 87.0                | 87.0             |
|  | 36"        |            |            | 85.1                | 87.0             |
|  | 39"        |            |            | 82.2                | 87.0             |
|  | 42"        |            |            | 79.4                | 87.0             |
|  | 48"        |            |            | 74.4                | 87.0             |
| 54"  | 70.0       | 87.0       |            |                     |                  |
| 60"  | 30"        | 80"        | 96"        | 84.6                | 87.0             |
|  | 33"        |            |            | 81.3                | 87.0             |
|  | 36"        |            |            | 78.3                | 87.0             |
|  | 39"        |            |            | 75.5                | 87.0             |
|  | 42"        |            |            | 72.9                | 87.0             |
|  | 48"        |            |            | 68.1                | 87.0             |
| 54"  | 64.0       | 87.0       |            |                     |                  |
| 72"  | 30"        | 80"        | 96"        | 76.1                | 87.0             |
|  | 33"        |            |            | 73.4                | 87.0             |
|  | 36"        |            |            | 70.9                | 87.0             |
|  | 39"        |            |            | 68.6                | 87.0             |
|  | 42"        |            |            | 66.4                | 87.0             |
|  | 48"        |            |            | 62.5                | 87.0             |
| 54"  | 58.9       | 87.0       |            |                     |                  |
| 60"  | 30"        | 80"        | 102"       | 67.8                | 87.0             |
|  | 33"        |            |            | 65.2                | 87.0             |
|  | 36"        |            |            | 62.9                | 87.0             |
|  | 39"        |            |            | 60.7                | 87.0             |
|  | 42"        |            |            | 58.7                | 87.0             |
|  | 48"        |            |            | 55.0                | 87.0             |
| 54"  | 51.7       | 87.0       |            |                     |                  |
| 72"  | 30"        | 80"        | 102"       | 60.7                | 87.0             |
|  | 33"        |            |            | 58.7                | 87.0             |
|  | 36"        |            |            | 56.8                | 87.0             |
|  | 39"        |            |            | 55.0                | 87.0             |
|  | 42"        |            |            | 53.3                | 87.0             |
|  | 48"        |            |            | 50.2                | 87.0             |
| 54"  | 47.5       | 82.2       |            |                     |                  |

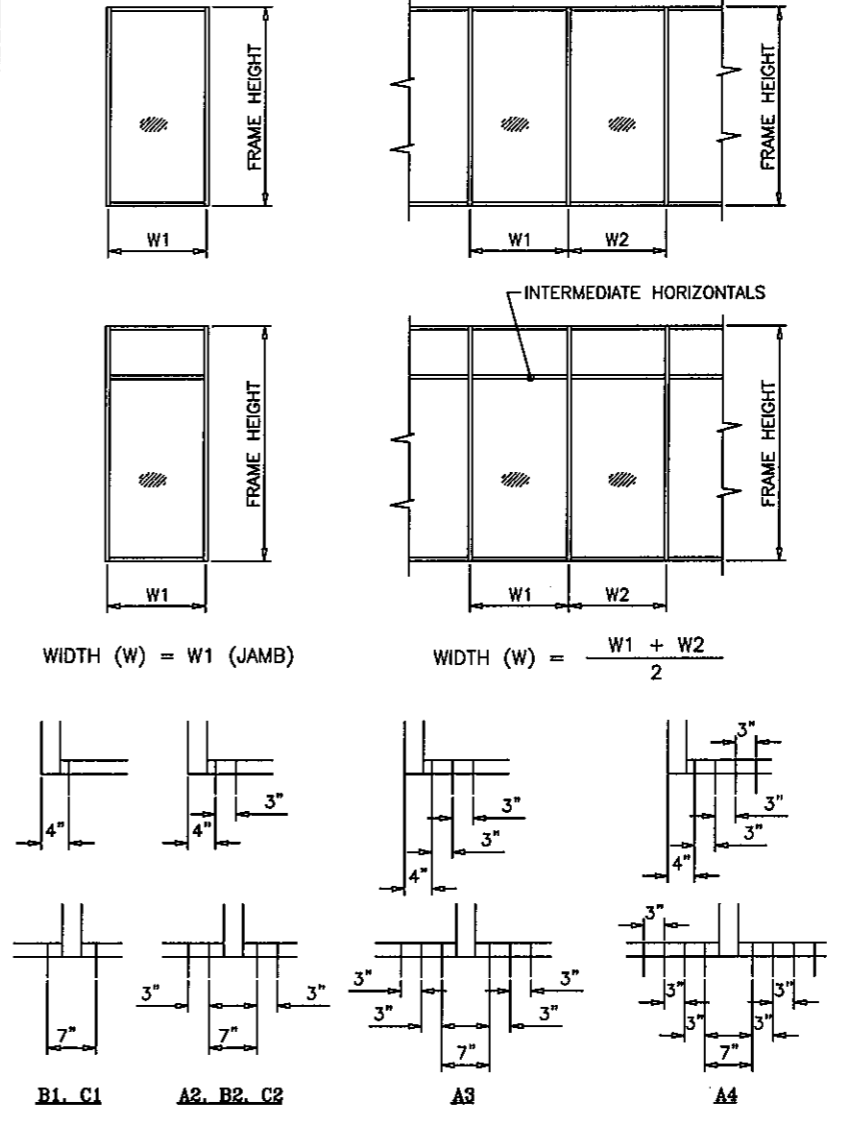
| DOOR MULLION LOAD CAPACITY - PSF AT DOUBLE DOOR WITH TRANSOM |            |            |            |                     |                  |
|--|------------|------------|------------|---------------------|------------------|
| NOMINAL DIMS.  |            |            |            | WITHOUT REINFORCING | WITH REINFORCING |
| WIDTH (W1)   | WIDTH (W2) | LENGTH (A) | LENGTH (L) | EXT.(+) INT.(-)     | EXT.(+) INT.(-)  |
| 60"  | 30"        | 80"        | 108"       | 55.3                | 87.0             |
|  | 33"        |            |            | 53.3                | 87.0             |
|  | 36"        |            |            | 51.5                | 87.0             |
|  | 39"        |            |            | 49.7                | 86.1             |
|  | 42"        |            |            | 48.1                | 83.2             |
|  | 48"        |            |            | 45.1                | 78.1             |
| 54"  | 42.5       | 73.6       |            |                     |                  |
| 72"  | 30"        | 80"        | 108"       | 49.5                | 85.6             |
|  | 33"        |            |            | 47.9                | 82.8             |
|  | 36"        |            |            | 46.4                | 80.2             |
|  | 39"        |            |            | 44.9                | 77.8             |
|  | 42"        |            |            | 43.6                | 75.5             |
|  | 48"        |            |            | 41.2                | 71.2             |
| 54"  | 39.0       | 67.5       |            |                     |                  |
| 60"  | 30"        | 80"        | 114"       | 45.9                | 79.5             |
|  | 33"        |            |            | 44.3                | 76.7             |
|  | 36"        |            |            | 42.8                | 74.1             |
|  | 39"        |            |            | 41.4                | 71.6             |
|  | 42"        |            |            | 40.0                | 69.3             |
|  | 48"        |            |            | 37.6                | 65.1             |
| 54"  | 35.5       | 61.4       |            |                     |                  |
| 72"  | 30"        | 80"        | 114"       | 41.0                | 71.0             |
|  | 33"        |            |            | 39.7                | 68.7             |
|  | 36"        |            |            | 38.5                | 66.6             |
|  | 39"        |            |            | 37.3                | 64.6             |
|  | 42"        |            |            | 36.2                | 62.7             |
|  | 48"        |            |            | 34.3                | 59.3             |
| 54"  | 32.5       | 56.2       |            |                     |                  |
| 60"  | 30"        | 80"        | 120"       | 38.7                | 66.9             |
|  | 33"        |            |            | 37.3                | 64.6             |
|  | 36"        |            |            | 36.1                | 62.4             |
|  | 39"        |            |            | 34.9                | 60.4             |
|  | 42"        |            |            | 33.8                | 58.5             |
|  | 48"        |            |            | 31.8                | 55.0             |
| 54"  | 30.0       | 51.9       |            |                     |                  |
| 72"  | 30"        | 80"        | 120"       | 34.5                | 59.7             |
|  | 33"        |            |            | 33.4                | 57.8             |
|  | 36"        |            |            | 32.4                | 56.0             |
|  | 39"        |            |            | 31.4                | 54.4             |
|  | 42"        |            |            | 30.5                | 52.9             |
|  | 48"        |            |            | 28.9                | 50.0             |



STEP 3: MULLION LOAD CAPACITIES

| ANCHOR LOAD CAPACITY - PSF<br>EXT.(+) & INT.(-) |              |                  |       |       |                |           |
|---|--------------|------------------|-------|-------|----------------|-----------|
| NOMINAL DIMS.                                   |              | ANCHORS TYPE 'A' |       |       | TYPE 'B' & 'C' |           |
| WIDTH (W)                                       | FRAME HEIGHT | 'A2'             | 'A3'  | 'A4'  | 'B1'/'C1'      | 'B2'/'C2' |
| 24"   | 66"          | 100.0            | 100.0 | 100.0 | 100.0          | 100.0     |
| 30"   |              | 100.0            | 100.0 | 100.0 | 100.0          | 100.0     |
| 36"   |              | 100.0            | 100.0 | 100.0 | 100.0          | 100.0     |
| 42"   |              | 100.0            | 100.0 | 100.0 | 100.0          | 100.0     |
| 48"   |              | 100.0            | 100.0 | 100.0 | 100.0          | 100.0     |
| 54"   |              | 95.4             | 100.0 | 100.0 | 95.8           | 100.0     |
| 60"   |              | 85.8             | 100.0 | 100.0 | 86.2           | 100.0     |
| 66"   |              | 78.0             | 100.0 | 100.0 | 78.3           | 100.0     |
| 72"   |              | 71.5             | 100.0 | 100.0 | 71.8           | 100.0     |
| 24"   |              | 72"              | 100.0 | 100.0 | 100.0          | 100.0     |
| 30"   | 100.0        |                  | 100.0 | 100.0 | 100.0          | 100.0     |
| 36"   | 100.0        |                  | 100.0 | 100.0 | 100.0          | 100.0     |
| 42"   | 100.0        |                  | 100.0 | 100.0 | 100.0          | 100.0     |
| 48"   | 98.3         |                  | 100.0 | 100.0 | 98.8           | 100.0     |
| 54"   | 87.4         |                  | 100.0 | 100.0 | 87.8           | 100.0     |
| 60"   | 78.7         |                  | 100.0 | 100.0 | 79.0           | 100.0     |
| 66"   | 71.5         |                  | 100.0 | 100.0 | 71.8           | 100.0     |
| 72"   | 65.6         |                  | 91.8  | 100.0 | 65.8           | 100.0     |
| 24"   | 78"          |                  | 100.0 | 100.0 | 100.0          | 100.0     |
| 30"   |              | 100.0            | 100.0 | 100.0 | 100.0          | 100.0     |
| 36"   |              | 100.0            | 100.0 | 100.0 | 100.0          | 100.0     |
| 42"   |              | 100.0            | 100.0 | 100.0 | 100.0          | 100.0     |
| 48"   |              | 90.8             | 100.0 | 100.0 | 91.2           | 100.0     |
| 54"   |              | 80.7             | 100.0 | 100.0 | 81.0           | 100.0     |
| 60"   |              | 72.6             | 100.0 | 100.0 | 72.9           | 100.0     |
| 66"   |              | 66.0             | 92.4  | 100.0 | 66.3           | 100.0     |
| 72"   |              | 60.5             | 84.7  | 100.0 | 60.8           | 100.0     |
| 24"   |              | 84"              | 100.0 | 100.0 | 100.0          | 100.0     |
| 30"   | 100.0        |                  | 100.0 | 100.0 | 100.0          | 100.0     |
| 36"   | 100.0        |                  | 100.0 | 100.0 | 100.0          | 100.0     |
| 42"   | 96.3         |                  | 100.0 | 100.0 | 96.7           | 100.0     |
| 48"   | 84.3         |                  | 100.0 | 100.0 | 84.6           | 100.0     |
| 54"   | 74.9         |                  | 100.0 | 100.0 | 75.2           | 100.0     |
| 60"   | 67.4         |                  | 94.4  | 100.0 | 67.7           | 100.0     |
| 66"   | 61.3         |                  | 85.8  | 100.0 | 61.6           | 100.0     |
| 72"   | 56.2         |                  | 78.7  | 100.0 | 56.4           | 94.0      |
| 24"   | 90"          |                  | 100.0 | 100.0 | 100.0          | 100.0     |
| 30"   |              | 100.0            | 100.0 | 100.0 | 100.0          | 100.0     |
| 36"   |              | 100.0            | 100.0 | 100.0 | 100.0          | 100.0     |
| 42"   |              | 89.9             | 100.0 | 100.0 | 90.3           | 100.0     |
| 48"   |              | 78.7             | 100.0 | 100.0 | 79.0           | 100.0     |
| 54"   |              | 69.9             | 97.9  | 100.0 | 70.2           | 100.0     |
| 60"   |              | 62.9             | 88.1  | 100.0 | 63.2           | 100.0     |
| 66"   |              | 57.2             | 80.1  | 100.0 | 57.5           | 95.8      |
| 72"   |              | 52.4             | 73.4  | 94.4  | 52.7           | 87.8      |
| 24"   |              | 96"              | 100.0 | 100.0 | 100.0          | 100.0     |
| 30"   | 100.0        |                  | 100.0 | 100.0 | 100.0          | 100.0     |
| 36"   | 98.3         |                  | 100.0 | 100.0 | 98.8           | 100.0     |
| 42"   | 84.3         |                  | 100.0 | 100.0 | 84.6           | 100.0     |
| 48"   | 73.8         |                  | 100.0 | 100.0 | 74.1           | 100.0     |
| 54"   | 65.6         |                  | 91.8  | 100.0 | 65.8           | 100.0     |
| 60"   | 59.0         |                  | 82.6  | 100.0 | 59.3           | 98.8      |
| 66"   | 53.6         |                  | 75.1  | 96.5  | 53.9           | 89.8      |

| ANCHOR LOAD CAPACITY - PSF<br>EXT.(+) & INT.(-) |              |                  |       |       |                |           |
|---|--------------|------------------|-------|-------|----------------|-----------|
| NOMINAL DIMS.                                   |              | ANCHORS TYPE 'A' |       |       | TYPE 'B' & 'C' |           |
| WIDTH (W)                                       | FRAME HEIGHT | 'A2'             | 'A3'  | 'A4'  | 'B1'/'C1'      | 'B2'/'C2' |
| 24"   | 102"         | 100.0            | 100.0 | 100.0 | 100.0          | 100.0     |
| 30"   |              | 100.0            | 100.0 | 100.0 | 100.0          | 100.0     |
| 36"   |              | 92.5             | 100.0 | 100.0 | 92.9           | 100.0     |
| 42"   |              | 79.3             | 100.0 | 100.0 | 79.7           | 100.0     |
| 48"   |              | 69.4             | 97.2  | 100.0 | 69.7           | 100.0     |
| 54"   |              | 61.7             | 86.4  | 100.0 | 62.0           | 100.0     |
| 60"   | 55.5         | 77.7             | 100.0 | 55.8  | 92.9           |           |
| 24"   | 108"         | 100.0            | 100.0 | 100.0 | 100.0          | 100.0     |
| 30"   |              | 100.0            | 100.0 | 100.0 | 100.0          | 100.0     |
| 36"   |              | 87.4             | 100.0 | 100.0 | 87.8           | 100.0     |
| 42"   |              | 74.9             | 100.0 | 100.0 | 75.2           | 100.0     |
| 48"   |              | 65.6             | 91.8  | 100.0 | 65.8           | 100.0     |
| 54"   |              | 58.3             | 81.6  | 100.0 | 58.5           | 97.5      |
| 60"   | 52.4         | 73.4             | 94.4  | 52.7  | 87.8           |           |
| 24"   | 114"         | 100.0            | 100.0 | 100.0 | 100.0          | 100.0     |
| 30"   |              | 99.4             | 100.0 | 100.0 | 99.8           | 100.0     |
| 36"   |              | 82.8             | 100.0 | 100.0 | 83.2           | 100.0     |
| 42"   |              | 71.0             | 99.4  | 100.0 | 71.3           | 100.0     |
| 48"   |              | 62.1             | 86.9  | 100.0 | 62.4           | 100.0     |
| 54"   |              | 55.2             | 77.3  | 99.4  | 55.4           | 92.4      |
| 24"   | 120"         | 100.0            | 100.0 | 100.0 | 100.0          | 100.0     |
| 30"   |              | 94.4             | 100.0 | 100.0 | 94.8           | 100.0     |
| 36"   |              | 78.7             | 100.0 | 100.0 | 79.0           | 100.0     |
| 42"   |              | 67.4             | 94.4  | 100.0 | 67.7           | 100.0     |
| 48"   |              | 59.0             | 82.6  | 100.0 | 59.3           | 98.8      |
| 54"   |              | 52.4             | 73.4  | 94.4  | 52.7           | 87.8      |
| 24"   | 126"         | 60.0             | 60.0  | 60.0  | 60.0           | 60.0      |
| 30"   |              | 60.0             | 60.0  | 60.0  | 60.0           | 60.0      |
| 36"   |              | 60.0             | 60.0  | 60.0  | 60.0           | 60.0      |
| 42"   |              | 60.0             | 60.0  | 60.0  | 60.0           | 60.0      |
| 48"   |              | 56.2             | 60.0  | 60.0  | 56.4           | 60.0      |
| 54"   |              | 49.9             | 60.0  | 60.0  | 50.2           | 60.0      |
| 24"   | 132"         | 60.0             | 60.0  | 60.0  | 60.0           | 60.0      |
| 30"   |              | 60.0             | 60.0  | 60.0  | 60.0           | 60.0      |
| 36"   |              | 60.0             | 60.0  | 60.0  | 60.0           | 60.0      |
| 42"   |              | 60.0             | 60.0  | 60.0  | 60.0           | 60.0      |
| 48"   |              | 53.6             | 60.0  | 60.0  | 53.9           | 60.0      |
| 60"   |              | 60.0             | 60.0  | 60.0  | 60.0           | 60.0      |
| 24"   | 138"         | 60.0             | 60.0  | 60.0  | 60.0           | 60.0      |
| 30"   |              | 60.0             | 60.0  | 60.0  | 60.0           | 60.0      |
| 36"   |              | 60.0             | 60.0  | 60.0  | 60.0           | 60.0      |
| 42"   |              | 58.6             | 60.0  | 60.0  | 58.9           | 60.0      |
| 48"   |              | 51.3             | 60.0  | 60.0  | 51.5           | 60.0      |
| 60"   |              | 60.0             | 60.0  | 60.0  | 60.0           | 60.0      |
| 24"   | 144"         | 60.0             | 60.0  | 60.0  | 60.0           | 60.0      |
| 30"   |              | 60.0             | 60.0  | 60.0  | 60.0           | 60.0      |
| 36"   |              | 60.0             | 60.0  | 60.0  | 60.0           | 60.0      |
| 42"   |              | 56.2             | 60.0  | 60.0  | 56.4           | 60.0      |
| 48"   |              | 49.2             | 60.0  | 60.0  | 49.4           | 60.0      |



**ANCHORS TYPES:** SEE SHEET 10 FOR DESCRIPTION

**B1 = (1) ANCHOR TYPE 'B' AT EACH SIDE OF MULLION OR JAMB**  
**C1 = (1) ANCHOR TYPE 'C' AT EACH SIDE OF MULLION OR JAMB**

**A2 = (2) ANCHORS TYPE 'A' AT EACH SIDE OF MULLION OR JAMB**  
**B2 = (2) ANCHORS TYPE 'B' AT EACH SIDE OF MULLION OR JAMB**  
**C2 = (2) ANCHORS TYPE 'C' AT EACH SIDE OF MULLION OR JAMB**

**A3 = (3) ANCHORS TYPE 'A' AT EACH SIDE OF MULLION OR JAMB**

**A4 = (4) ANCHORS TYPE 'A' AT EACH SIDE OF MULLION OR JAMB**

MAXIMUM SPACING FOR HEAD AND SILL ANCHORS NOT TO EXCEED 24" O.C.


**STEP 4: ANCHOR LOAD CAPACITY**



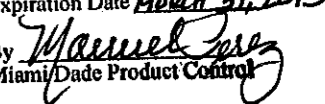
http://www.trulite.com  
 800 FAIRWAY DRIVE, Suite 200  
 DEERFIELD BEACH, FL 33441  
 p. 800-432-8132 | f. 954-724-2083

PRODUCT:  
**Resistor**  
**3100**  
 STOREFRONT WALL-LMI  
**Resistor**  
 BLAST & STORM PROTECTION™

| REV# | DATE/REMARKS |
|------|--------------|
|      |              |
|      |              |

ENGINEER:   
**MCY ENGINEERING, INC.**  
 GLAZING CONSULTANT  
 9110 SW SUNSET DRIVE  
 MIAMI, FL 33173  
 P: 305-271-0117  
 Email: MCY.Engineering@att.net  
 www.MCYEngineering.com

STAMP:  
 YIPING WANG, P.E.  
 FLORIDA REGISTRATION  
 PE #55983  
 LICENSE  
 No 55983  
 NOV 15 2011  
 STATE OF  
 PROFESSIONAL ENGINEER

PRODUCT REVISED  
 as complying with the Florida  
 Building Code  
 Acceptance No **11-1117-02**  
 Expiration Date **MARCH 31, 2015**  
 By   
 Miami Dade Product Control

|               |                |
|---------------|----------------|
| DRAWN: S.L.   | DRAWING No:    |
| DATE: 9-22-11 | <b>9 OF 13</b> |
| DWG: AD11-21  |                |

PRODUCT:

**Resistor**  
**3100**  
STOREFRONT WALL-LMI

**Resistor**  
BLAST & STORM PROTECTION™

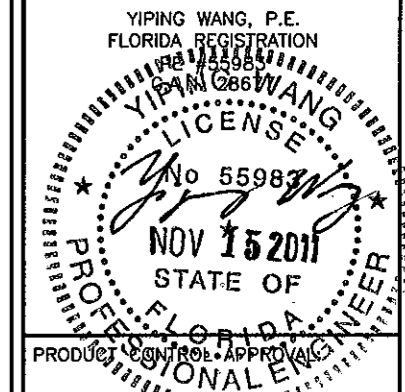
| REVN | DATE/REMARKS |
|------|--------------|
|      |              |
|      |              |
|      |              |

ENGINEER:

**MCY ENGINEERING, INC.**  
GLAZING CONSULTANT

9110 SW SUNSET DRIVE  
MIAMI, FL 33173  
P: 305-271-0117  
Email: MCY.Engineering@att.net  
www.MCYEngineering.com

STAMP:



PRODUCT CONTROL APPROVAL

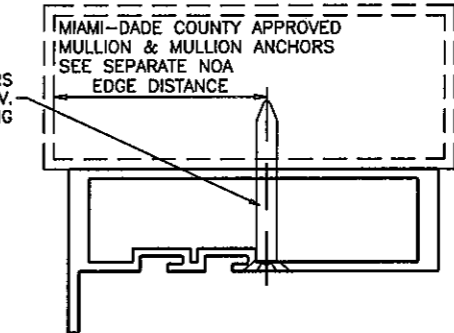
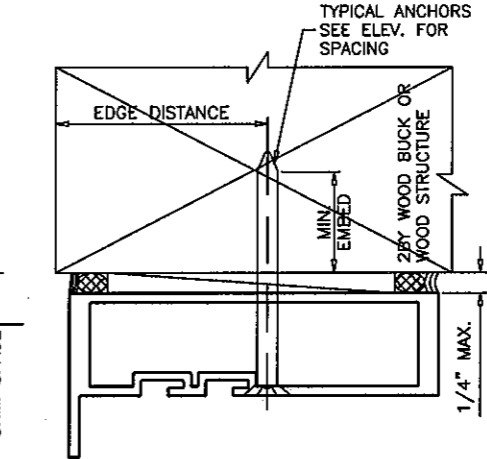
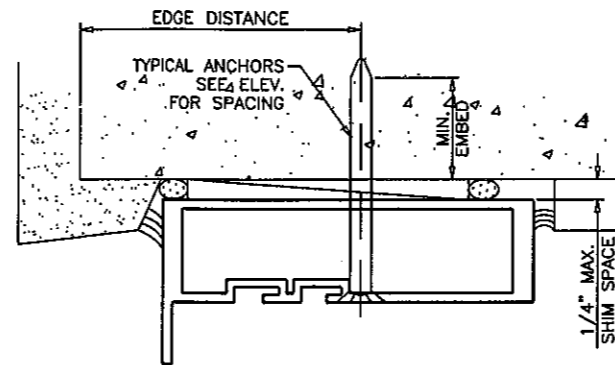
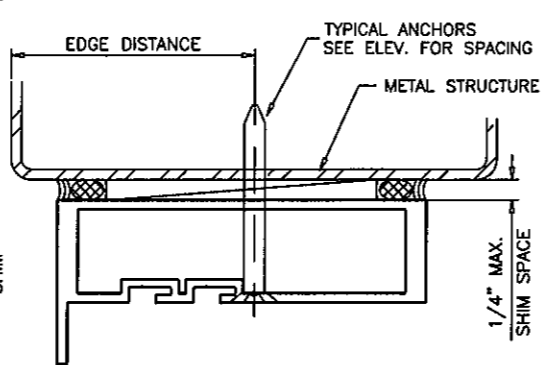
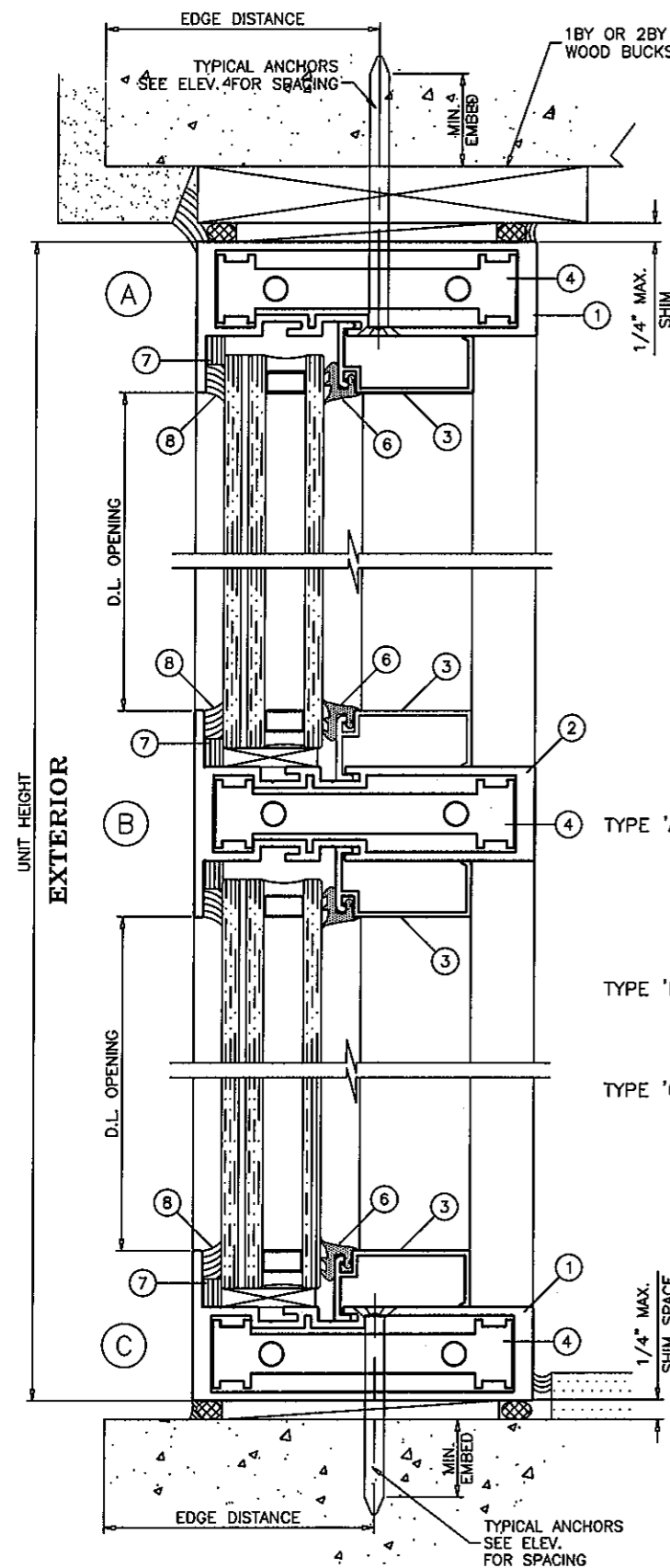
PRODUCT REVISED  
as complying with the Florida  
Building Code  
Acceptance No. 11-1117.02  
Expiration Date March 31, 2015

By *Manuel Perez*  
Miami Dade Product Control

DRAWN: S.L. DRAWING No:

DATE: 9-22-11 **10 OF 13**

DWG: AD11-21



NOTE:  
MULLIONS SHOWN IN DASHED LINES ARE NOT PART OF THIS APPROVAL.

WOOD BUCKS AND METAL STRUCTURE NOT BY TRULITE. MUST SUSTAIN LOADS IMPOSED BY GLAZING SYSTEM AND TRANSFER THEM TO THE BUILDING STRUCTURE.

**TYPICAL ANCHORS AT WINDOW WALL SYSTEM:** SEE ELEV. FOR SPACING

- TYPE 'A' - 1/4" DIA. ULTRACON BY 'ELCO' (Fu=177 KSI, Fy=155 KSI) INTO 2BY WOOD BUCKS OR WOOD STRUCTURES 1-3/8" MIN. PENETRATION INTO WOOD THRU 1BY BUCKS INTO CONC. OR MASONRY 1-1/4" MIN. EMBED INTO CONC. OR MASONRY
- TYPE 'B' - 1/4" DIA. ULTRACON BY 'ELCO' (Fu=177 KSI, Fy=155 KSI) DIRECTLY INTO CONC. OR MASONRY 1-5/8" MIN. EMBED INTO CONC. OR MASONRY
- TYPE 'C' - #14 SMS OR SELF DRILLING SCREWS (GRADE 2 CRS) INTO MIAMI-DADE COUNTY APPROVED MULLIONS (1/8" THK. MIN.) INTO METAL STRUCTURES STEEL : 1/8" THK. MIN. (Fy = 36 KSI MIN.) ALUMINUM : 1/8" THK. MIN. (6063-T5 MIN.) (STEEL IN CONTACT WITH ALUMINUM TO BE PLATED OR PAINTED)

**TYPICAL EDGE DISTANCE**  
INTO CONCRETE AND MASONRY = 2-1/2" MIN.  
INTO WOOD STRUCTURE = 1" MIN.  
INTO METAL STRUCTURE = 3/4" MIN.

**TYPICAL ANCHORS AT ALTERNATE WINDOW SHAPES:** SEE SHEET 2 FOR SPACING

- TYPE 'D' - 5/16" DIA. ULTRACON BY 'ELCO' (Fu=177 KSI, Fy=155 KSI) INTO 2BY WOOD BUCKS OR WOOD STRUCTURES 1-3/8" MIN. PENETRATION INTO WOOD THRU 1BY BUCKS INTO CONC. OR MASONRY 1-1/4" MIN. EMBED INTO CONC. OR MASONRY DIRECTLY INTO CONC. OR MASONRY 1-5/8" MIN. EMBED INTO CONC. OR MASONRY
- TYPE 'D' - 5/16" DIA. SMS OR SELF DRILLING SCREWS (GRADE 2 CRS) INTO MIAMI-DADE COUNTY APPROVED MULLIONS (1/8" THK. MIN.) INTO METAL STRUCTURES STEEL : 1/8" THK. MIN. (Fy = 36 KSI MIN.) ALUMINUM : 1/8" THK. MIN. (6063-T5 MIN.) (STEEL IN CONTACT WITH ALUMINUM TO BE PLATED OR PAINTED)

**TYPICAL EDGE DISTANCE**  
INTO CONCRETE AND MASONRY = 3-1/8" MIN.  
INTO WOOD STRUCTURE = 1" MIN.  
INTO METAL STRUCTURE = 3/4" MIN.

CONCRETE AT HEAD, SILL OR JAMBS f'c = 3000 PSI MIN.  
C-90 HOLLOW/FILLED BLOCK AT JAMBS f'm = 2000 PSI MIN.

THIS PRODUCT MAY BE INSTALLED INSIDE OR OUTSIDE GLAZED

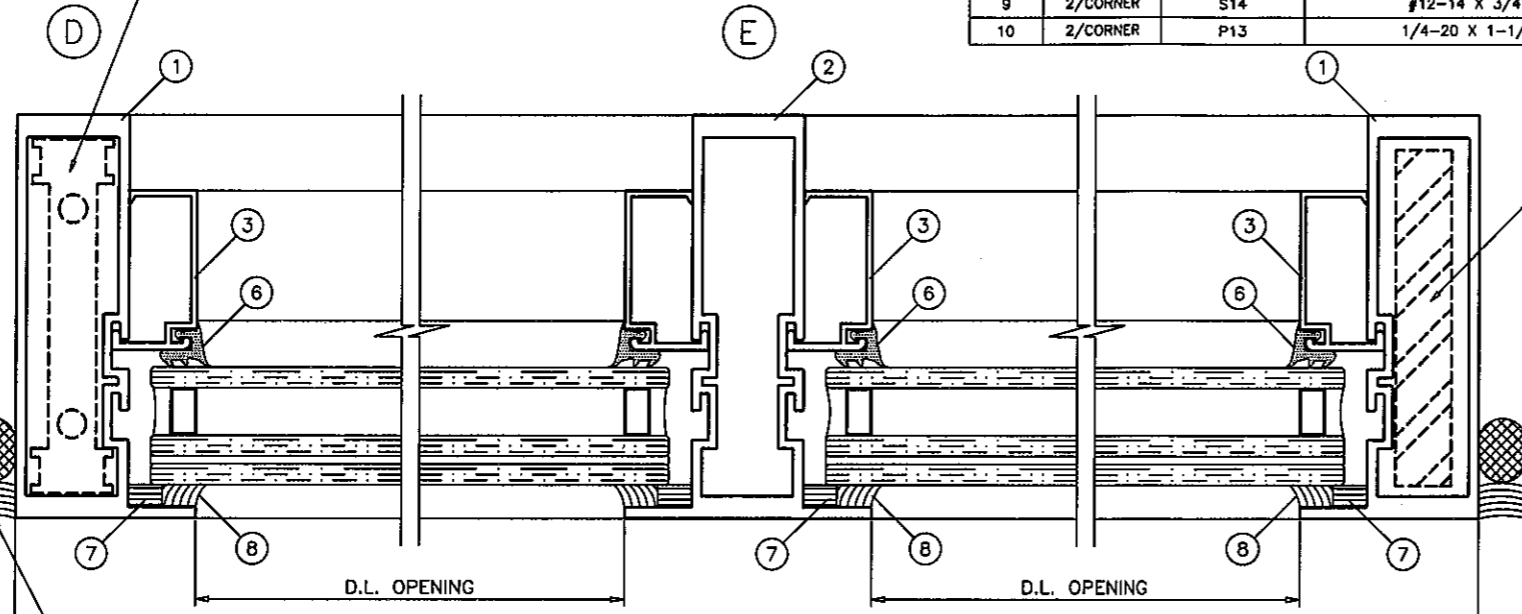
### BILL OF MATERIALS

| ITEM # | QTY.     | PROFILE   | DESCRIPTION   | MATERIAL       | MANUFACTURER/REMARKS    |
|--------|----------|-----------|---|----------------|-------------------------|
| 1      | AS REQD. | 3101      | FRAME HEAD/JAMB/JAMB                                | ALUM. 6063-T6  | TRULITE                 |
| 2      | AS REQD. | 3102      | INTERMEDIATE VERTICAL/HORIZONTAL                    | ALUM. 6063-T6  | TRULITE                 |
| 3      | AS REQD. | 3103      | GLASS STOP  | ALUM. 6063-T5  | TRULITE                 |
| 4      | AS REQD. | 3104      | SHEAR BLOCK/MULLION REINFORCING                     | ALUM. 6063-T6  | TRULITE                 |
| 4A     | AS REQD. | 3205STEEL | MULLION REINFORCING                                 | STEEL BAR      | 5/8" X 3 3/4"           |
| 5      | 2/LITE   | H62F      | SETTING BLOCK (INSUL. LAM. GLASS) DUROMETER 85 +/-5 | EPDM           | 1-1/4" X 1/4" X 4" LONG |
| 5A     | 2/LITE   | H62D      | SETTING BLOCK (9/16" LAM. GLASS) DUROMETER 85 +/-5  | EPDM           | 1/2" X 1/4" X 4" LONG   |
| 6      | AS REQD. | H63       | WEDGE IN GASKET DUROMETER 60 +/-5                   | EPDM           | -                       |
| 7      | AS REQD. | V2100     | GLAZING FOAM TAPE                                   | -              | NORTON 1/4" X 3/8"      |
| 8      | AS REQD. | 995       | GLAZING SEALANT                                     | SILICONE       | DOW CORNING             |
| 9      | 2/CORNER | S14       | #12-14 X 3/4" FHPMS TYPE 23                         | STAINLESS STL. | -                       |
| 10     | 2/CORNER | P13       | 1/4-20 X 1-1/2" PHMS TYPE 23                        | STAINLESS STL. | -                       |

WOOD BUCK FILLER  
OPTIONAL BY OTHERS

REINFORCING OPTIONAL  
SEE CHARTS ON SHEETS 4 & 5

REINFORCING  
OPTIONAL  
SEE CHARTS  
ON SHEETS 4 & 5



SILICONE SEALANT  
DOW CORNING 790 OR EQUAL.  
RECOMMENDED SEALANT DEPTH  
SHALL BE HALF THE SEALANT WIDTH.

EXTERIOR

FRAME WIDTH

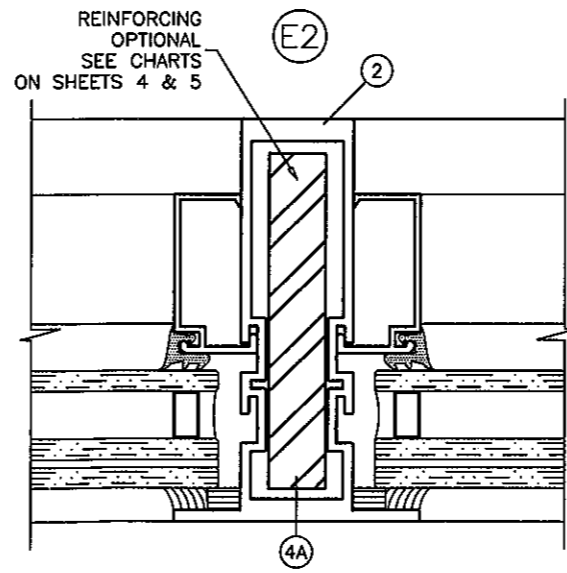
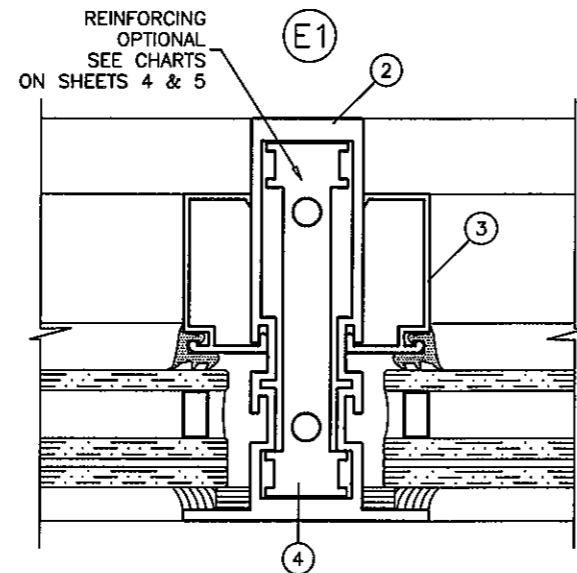
MIN. & MAX.  
GAP  
SEE CHART BELOW

MIN. & MAX.  
GAP  
SEE CHART BELOW

| MAX. FRAME HEIGHT | GAP   |        |
|-------------------|-------|--------|
|                   | MIN.  | MAX.   |
| 60"               | 3/16" | 1-1/8" |
| 72"               | 1/4"  | 1-1/8" |
| 84"               | 1/4"  | 1-1/8" |
| 96"               | 3/8"  | 1-1/8" |
| 108"              | 3/8"  | 1-1/8" |
| 120"              | 1/2"  | 1-1/8" |

| MAX. FRAME WIDTH | MAX. GAP AT EACH SIDE |
|------------------|-----------------------|
| 30 FT.           | 1-1/8"                |
| 60 FT.           | 1-1/8"                |

ALTERNATE SEALANTS AT JAMB GAPS CAN BE DESIGNED BY ENGINEER OF RECORD BASED ON MANUFACTURER GUIDE LINES.



http://www.trulite.com

800 FAIRWAY DRIVE, Suite 200  
DEERFIELD BEACH, FL 33441  
p. 800-432-8132 | f. 954-724-2083

PRODUCT:

**Resistor**  
**3100**  
STOREFRONT WALL-LMI



| REVN | DATE/REMARKS |
|------|--------------|
|      |              |
|      |              |

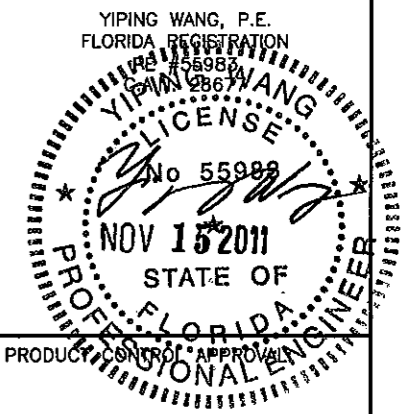
ENGINEER:



**MCY ENGINEERING, INC.**  
GLAZING CONSULTANT

9110 SW SUNSET DRIVE  
MIAMI, FL 33173  
P: 305-271-0117  
Email: MCY.Engineering@att.net  
www.MCYEngineering.com

STAMP:



PRODUCT CONTROL APPROVAL

PRODUCT REVISED  
as complying with the Florida  
Building Code  
Acceptance No. 11-1117.02  
Expiration Date **MARCH 31, 2015**

By *Manuel Daza*  
Miami/Dade Product Control

|               |                 |
|---------------|-----------------|
| DRAWN: S.L.   | DRAWING No:     |
| DATE: 9-22-11 | <b>11 OF 13</b> |
| DWG: AD11-21  |                 |

PRODUCT:

**Resistor**  
**3100**  
STOREFRONT WALL-LMI

**Resistor**  
BLAST & STORM PROTECTION™

| REVN | DATE/REMARKS |
|------|--------------|
|      |              |
|      |              |
|      |              |

ENGINEER:

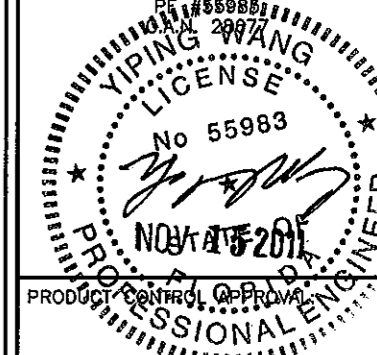


**MCY ENGINEERING, INC.**  
GLAZING CONSULTANT

9110 SW SUNSET DRIVE  
MIAMI, FL 33173  
P: 305-271-0117  
Email: MCY.Engineering@att.net  
www.MCYEngineering.com

STAMP:

YIPING WANG, P.E.  
FLORIDA REGISTRATION  
PE #55983



PRODUCT CONTROL APPROVAL  
PROFESSIONAL ENGINEER

PRODUCT REVISED  
as complying with the Florida  
Building Code  
Acceptance No 11-1117.02  
Expiration Date MARCH 31, 2015

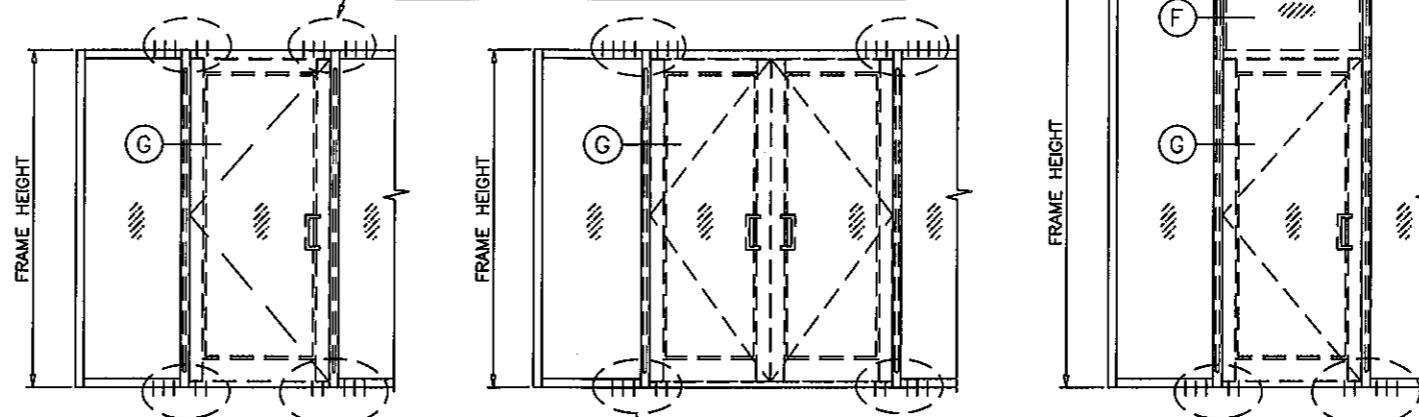
By James Perry  
Miami/Dade Product Control

DRAWN: S.L. DRAWING No:

DATE: 9-22-11 **12 OF 13**

DWG: AD11-21

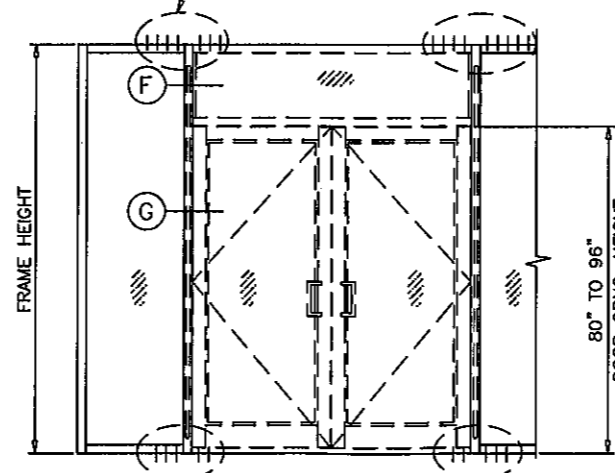
| ANCHORS TYPE | MULLION W/O REINFORCING |         | MULLION WITH REINFORCING |         |
|--------------|-------------------------|---------|--------------------------|---------|
|              | AT FIX. LITE            | AT DOOR | AT FIX. LITE             | AT DOOR |
| A            | 3                       | 3       | 4                        | 3       |
| B            | 2                       | 2       | 3                        | 2       |
| C            | 2                       | 2       | 3                        | 2       |



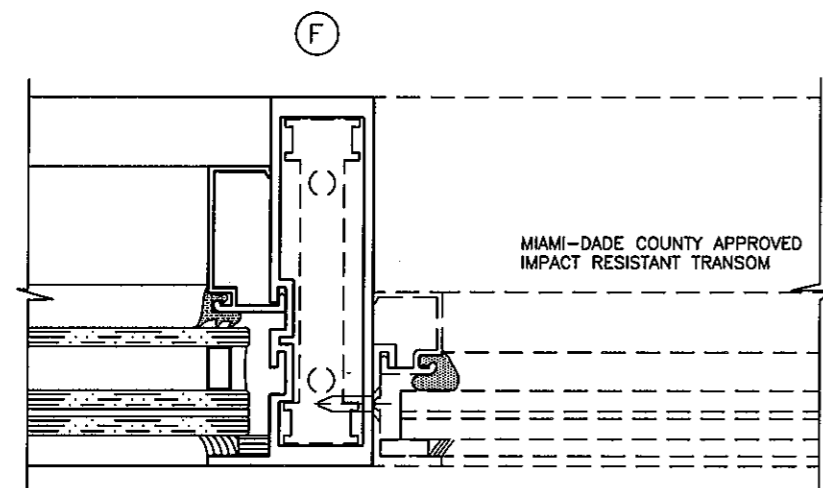
| ANCHORS TYPE | MULLION W/O REINFORCING |         | MULLION WITH REINFORCING |         |
|--------------|-------------------------|---------|--------------------------|---------|
|              | AT FIX. LITE            | AT DOOR | AT FIX. LITE             | AT DOOR |
| B            | 2                       | 2       | 3                        | 2       |
| C            | 2                       | 2       | 3                        | 2       |

CHARTS SHOWN ABOVE APPLY TO ABOVE CASES ONLY.

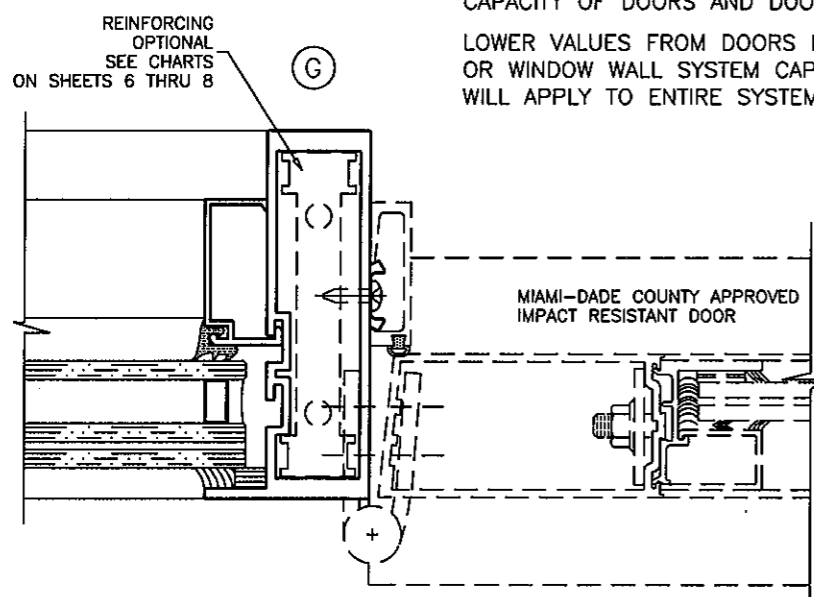
| ANCHORS TYPE | MULLION W/O REINFORCING |         | MULLION WITH REINFORCING |         |
|--------------|-------------------------|---------|--------------------------|---------|
|              | AT FIX. LITE            | AT DOOR | AT FIX. LITE             | AT DOOR |
| A            | 4                       | 3       | 5                        | 4       |
| B            | 2                       | 2       | 3                        | 3       |
| C            | 2                       | 2       | 3                        | 3       |

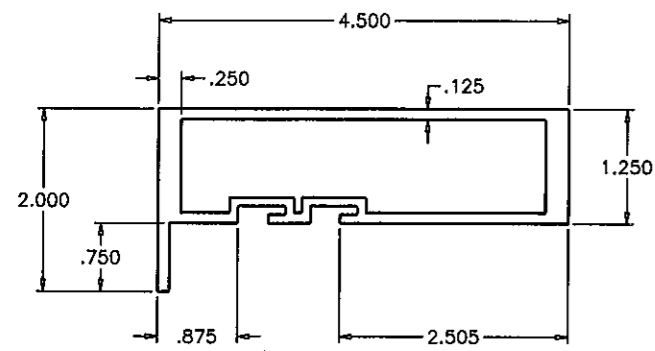


| ANCHORS TYPE | MULLION W/O REINFORCING |         | MULLION WITH REINFORCING |         |
|--------------|-------------------------|---------|--------------------------|---------|
|              | AT FIX. LITE            | AT DOOR | AT FIX. LITE             | AT DOOR |
| B            | 2                       | 2       | 3                        | 2       |
| C            | 2                       | 2       | 3                        | 2       |

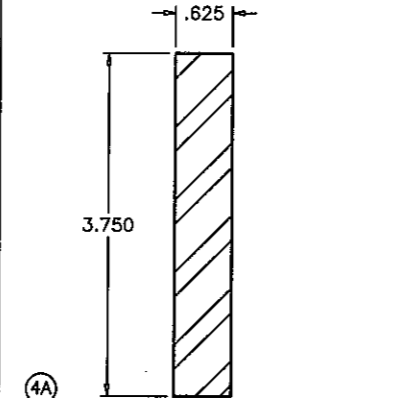


SEE SEPARATE NOA FOR DESIGN LOAD CAPACITY OF DOORS AND DOOR ANCHORS.  
LOWER VALUES FROM DOORS NOA OR WINDOW WALL SYSTEM CAPACITY CHARTS WILL APPLY TO ENTIRE SYSTEM.

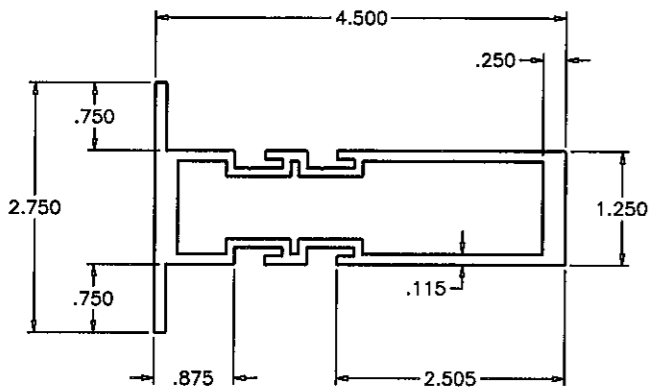




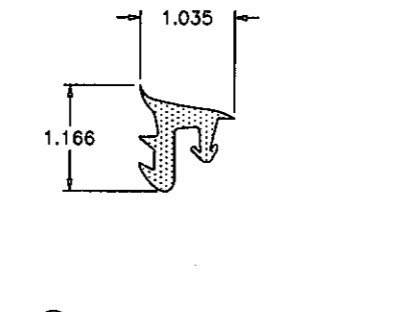
① #3101 - FRAME HEAD/SILL/JAMB



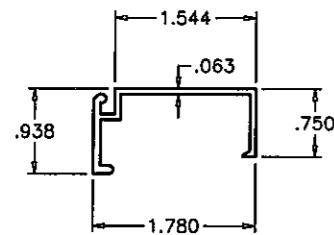
④A #3205 STEEL MULLION REINFOR.



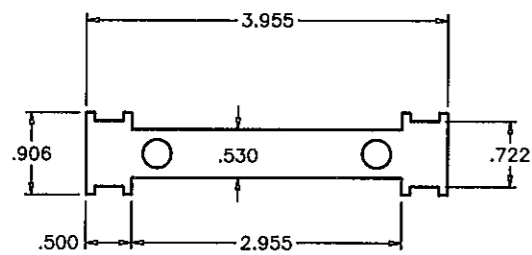
② #3102 - INTERMEDIATE VERTICAL/HORIZONTAL



⑥ #H63 - GLAZING GASKET



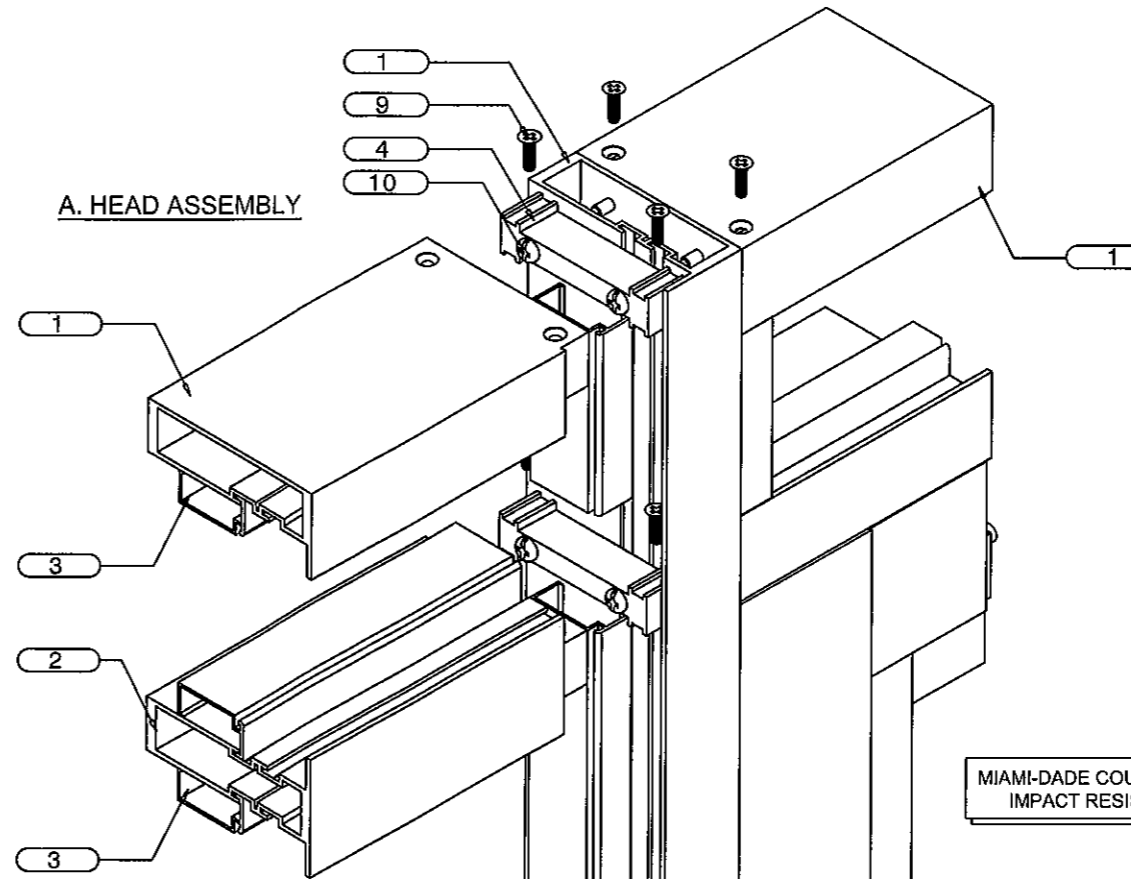
③ #3103 - GLASS STOP



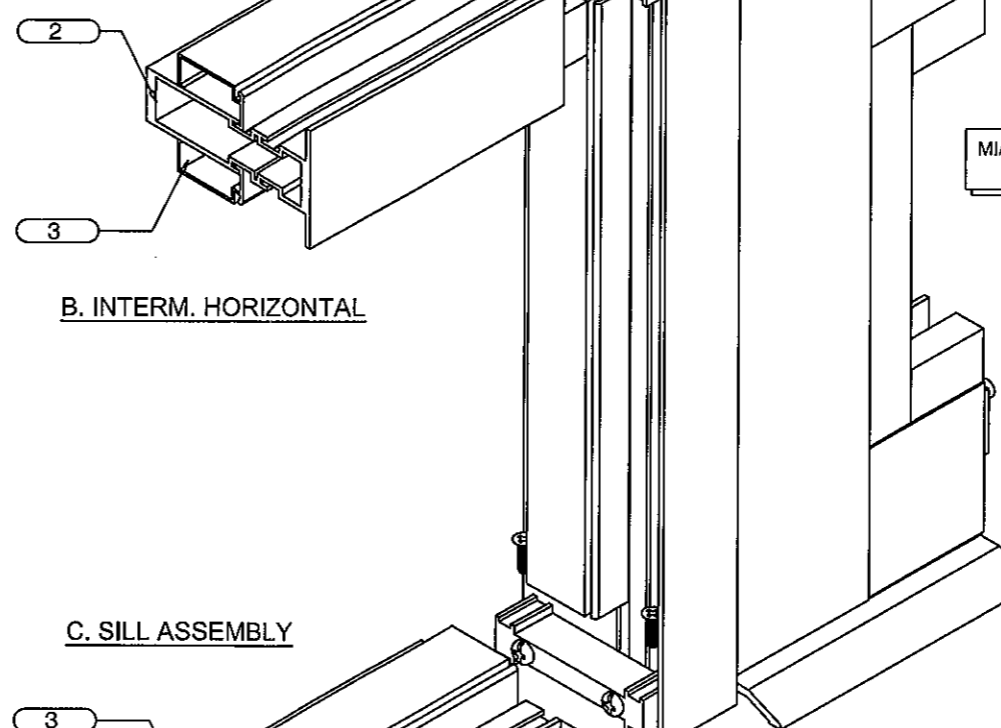
④ #3104 - SHEAR BLOCK / ALUM. MULLION REINFOR.

NOTE:  
DETAIL ABOVE SHOWS CONNECTION OF HORIZONTAL FRAME MEMBERS TO VERTICAL FRAMES. JAMB AND MULLION CAN BE WITH OR WITHOUT REINFORCEMENT. SEE SHEETS 4 THRU 8 FOR OPTIONS.

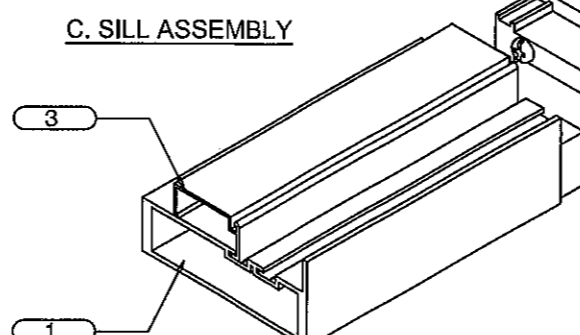
A. HEAD ASSEMBLY



B. INTERM. HORIZONTAL



C. SILL ASSEMBLY



MIAMI-DADE COUNTY APPROVED  
IMPACT RESISTANT DOOR

GENERAL NOTE:  
1. GLASS NOT SHOWN FOR CLARITY.  
2. FRAME AND PANEL CORNERS, INSTALLATION SCREWS AND ALL METAL PARTS CONNECTIONS TO BE SEALED WITH CLEAR COLORED SEALANT.

**Trulite**  
GLASS & ALUMINUM SOLUTIONS™

http://www.trulite.com

800 FAIRWAY DRIVE, Suite 200  
DEERFIELD BEACH, FL 33441  
p. 800-432-8132 | f. 954-724-2083

PRODUCT:

**Resistor**  
**3100**  
STOREFRONT WALL-LMI

**Resistor**  
BLAST & STORM PROTECTION™

REVN DATE/REMARKS

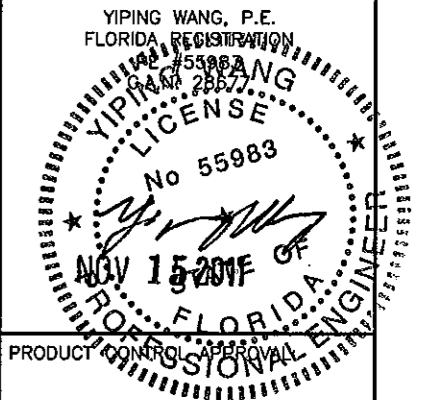
ENGINEER:



**MCY ENGINEERING, INC.**  
GLAZING CONSULTANT

9110 SW SUNSET DRIVE  
MIAMI, FL 33173  
P: 305-271-0117  
Email: MCY.Engineering@att.net  
www.MCYEngineering.com

STAMP:



PRODUCT CONTROL APPROVAL

PRODUCT REVISED  
as complying with the Florida  
Building Code  
Acceptance No 11-1117-02  
Expiration Date MARCH 31, 2015  
By *Manuel Perez*  
Miami Dade Product Control

DRAWN: S.L.

DRAWING No:

DATE: 9-22-11

**13 OF 13**

DWG: AD11-21