



DEPARTMENT OF PERMITTING, ENVIRONMENT, AND REGULATORY
AFFAIRS (PERA)
BOARD AND CODE ADMINISTRATION DIVISION
NOTICE OF ACCEPTANCE (NOA)

MIAMI-DADE COUNTY
PRODUCT CONTROL SECTION
11805 SW 26 Street, Room 208
Miami, Florida 33175-2474
T (786) 315-2590 F (786) 315-2599
www.miamidade.gov/pera/

DAB Door Company, Inc.
12195 NW 98th Avenue
Hialeah Gardens, FL 33018

SCOPE: This NOA is being issued under the applicable rules and regulations governing the use of construction materials. The documentation submitted has been reviewed and accepted by Miami-Dade County PERA -Product Control Section to be used in Miami Dade County and other areas where allowed by the Authority Having Jurisdiction (AHJ).

This NOA shall not be valid after the expiration date stated below. The Miami-Dade County Product Control Section (In Miami Dade County) and/or the AHJ (in areas other than Miami Dade County) reserve the right to have this product or material tested for quality assurance purposes. If this product or material fails to perform in the accepted manner, the manufacturer will incur the expense of such testing and the AHJ may immediately revoke, modify, or suspend the use of such product or material within their jurisdiction. PERA reserves the right to revoke this acceptance, if it is determined by Miami-Dade County Product Control Section that this product or material fails to meet the requirements of the applicable building code. This product is approved as described herein, and has been designed to comply with the Florida Building Code, including the High Velocity Hurricane Zone.

DESCRIPTION: 18'-2" Wide x 16' High Steel Sectional Garage Door w/ Window Lite Option

APPROVAL DOCUMENT: Drawing No. **05-03**, titled "Sectional Garage Door", dated 05/16/2005, with last revision C dated 10/13/2011, sheets 1 through 5 of 5, prepared by Al-Farooq Corporation, signed and sealed by Javad Ahmad, P.E., bearing the Miami-Dade County Product Control renewal stamp with the Notice of Acceptance number and expiration date by the Miami-Dade County Product Control Section.

MISSILE IMPACT RATING: Large and Small Missile Impact Resistant

LABELING: A permanent label with the manufacturer's name or logo, manufacturing address, model number, the positive and negative design pressure rating, indicate impact rated if applicable, installation instruction drawing reference number, approval number (NOA), the applicable test standards, and the statement reading 'Miami-Dade County Product Control Approved' is to be located on the door's side track, bottom angle, or inner surface of a panel.

RENEWAL of this NOA shall be considered after a renewal application has been filed and there has been no change in the applicable building code negatively affecting the performance of this product.

TERMINATION of this NOA will occur after the expiration date or if there has been a revision or change in the materials, use, and/or manufacture of the product or process. Misuse of this NOA as an endorsement of any product, for sales, advertising or any other purposes shall automatically terminate this NOA. Failure to comply with any section of this NOA shall be cause for termination and removal of NOA.

ADVERTISEMENT: The NOA number preceded by the words Miami-Dade County, Florida, and followed by the expiration date may be displayed in advertising literature. If any portion of the NOA is displayed, then it shall be done in its entirety.

INSPECTION: A copy of this entire NOA shall be provided to the user by the manufacturer or its distributors and shall be available for inspection at the job site at the request of the Building Official. This NOA **renews NOA # 09-0128.06** and consists of this page 1 and evidence pages E-1 and E-2, as well as approval document mentioned above.

The submitted documentation was reviewed by **Carlos M. Utrera, P.E.**



[Signature]
102/10/2012

NOA No. 11-1219.12
Expiration Date: March 29, 2017
Approval Date: February 16, 2012
Page 1

NOTICE OF ACCEPTANCE: EVIDENCE SUBMITTED

A. DRAWINGS

1. Drawing No. **05-03**, titled "Sectional Garage Door", dated 05/16/2005, with last revision C dated 10/13/2011, sheets 1 through 5 of 5, prepared by Al-Farooq Corporation, signed and sealed by Javad Ahmad, P.E.

B. TESTS "Submitted under NOA # 09-0128.06"


1. Test reports on 1) Uniform Static Air Pressure Test Loading per FBC TAS 202-94
2) Large Missile Impact Test per FBC, TAS 201-94
3) Cyclic Wind Pressure Loading per FBC, TAS 203-94
4) Forced Entry Test per FBC 2411 3.2.1, TAS 202-94
along with marked-up drawings and installation diagram of a DAB 824 24 GA Sectional Garage Door with Fixed Windows, prepared by Hurricane Engineering & Testing, Inc, Test Reports No. **HETI-08-2149A/B**, dated 06/27/2008, signed and sealed by Candido F. Font, P.E.
2. Test report of Tensile Test per ASTM E 8, Report No. **HETI 08-T182**, prepared by Hurricane Engineering & Testing, Inc., dated 12/23/2008, signed and sealed by Candido F. Font, PE.

"Submitted under NOA # 06-0817.07"

3. Test report of Uniform Static Air Pressure and Force Entry Resistance Test, per FBC, TAS 202-94 on "Sectional Residential Garage Doors", prepared by Hurricane Engineering & Testing, Inc., Report No. **HETI 05-1445**, dated 03/18/2005, signed and sealed by Rafael E. Droz-Seda, P.E.
4. Test report of Large Missile Impact Test, per FBC, TAS 201-94 and Cyclic Wind Pressure Test per, per FBC, TAS 203-94 on "Sectional Residential Garage Doors", prepared by Hurricane Engineering & Testing, Inc., Report No. **HETI 05-1446**, dated 05/11/2005, signed and sealed by Rafael E. Droz-Seda, P.E.
5. Test report on Salt Spray (Corrosion) Test per ASTM B 117 of a painted G-40 steel panels, prepared by Celotex Corporation, Test Report No. **258592**, dated 08/17/98, signed by W. A. Jackson, P.E. **"Submitted under NOA # 03-0210.04"**

C. CALCULATIONS "Submitted under NOA # 09-0128.06"

1. Anchor verification calculations prepared by Al-Farooq Corporation, complying with F.B.C 2007, dated 11/21/2008, signed and sealed by Humayoun Farooq, P.E.



02/10/2012

Carlos M. Utrera, P.E.

Product Control Examiner

NOA No. 11-1219.12

Expiration Date: March 29, 2017

Approval Date: February 16, 2012

NOTICE OF ACCEPTANCE: EVIDENCE SUBMITTED

D. QUALITY ASSURANCE

1. Miami-Dade Department of Permitting, Environment, and Regulatory Affairs (PERA)

E. MATERIAL CERTIFICATIONS

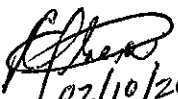
1. Notice of Acceptance No. **08-0305.02**, issued to SABIC Innovative Plastics, for their Lexan Sheet Products, approved on 04/24/2008 and expiring on 07/17/2013.
2. Notice of Acceptance No. **07-1016.07**, issued to Insulfoam, LLC, for their Insulfoam Expanded Polystyrene Insulation, approved on 11/29/2007 and expiring on 11/29/2012.
3. Notice of Acceptance No. **11-0926.07**, issued to Dyplast Products, LLC, for their Expanded Polystyrene Block Type Insulation, approved on 11/10/2011 and expiring on 01/11/2017.
4. Notice of Acceptance No. **11-0926.06**, issued to Dyplast Products, LLC, for their Dyplast ISO-C1 Polyisocyanurate Insulation, approved on 11/10/2011 and expiring on 01/11/2017.

“Submitted under NOA # 05-0228.02”

5. Test Report on Accelerated Weathering Using Xenon Arc Light Apparatus Test per ASTM G155 of “PVC Extrusion Material”, prepared by Hurricane Engineering & Testing, Inc., Report No. **HETI 04-A002**, dated 09/27/04, signed and sealed by Rafael E. Droz-Seda, P.E.
6. Test Reports on Tensile Test per ASTM D638 of “PVC Extrusion Material”, prepared by Hurricane Engineering & Testing Inc., Report No. **HETI 04-T251**, dated 11/29/04 signed and sealed by I. Ghia, P.E.
7. Test Report on Self-Ignition Temperature Test, Rate of Burn Test and Smoke Density Test of “REHAU non-foam PVC extrusion material”, prepared by ETC Laboratories, Report No. **04-761-15019.0**, dated 05/06/04, signed and sealed by J. L. Doldan, P.E.

F. STATEMENTS

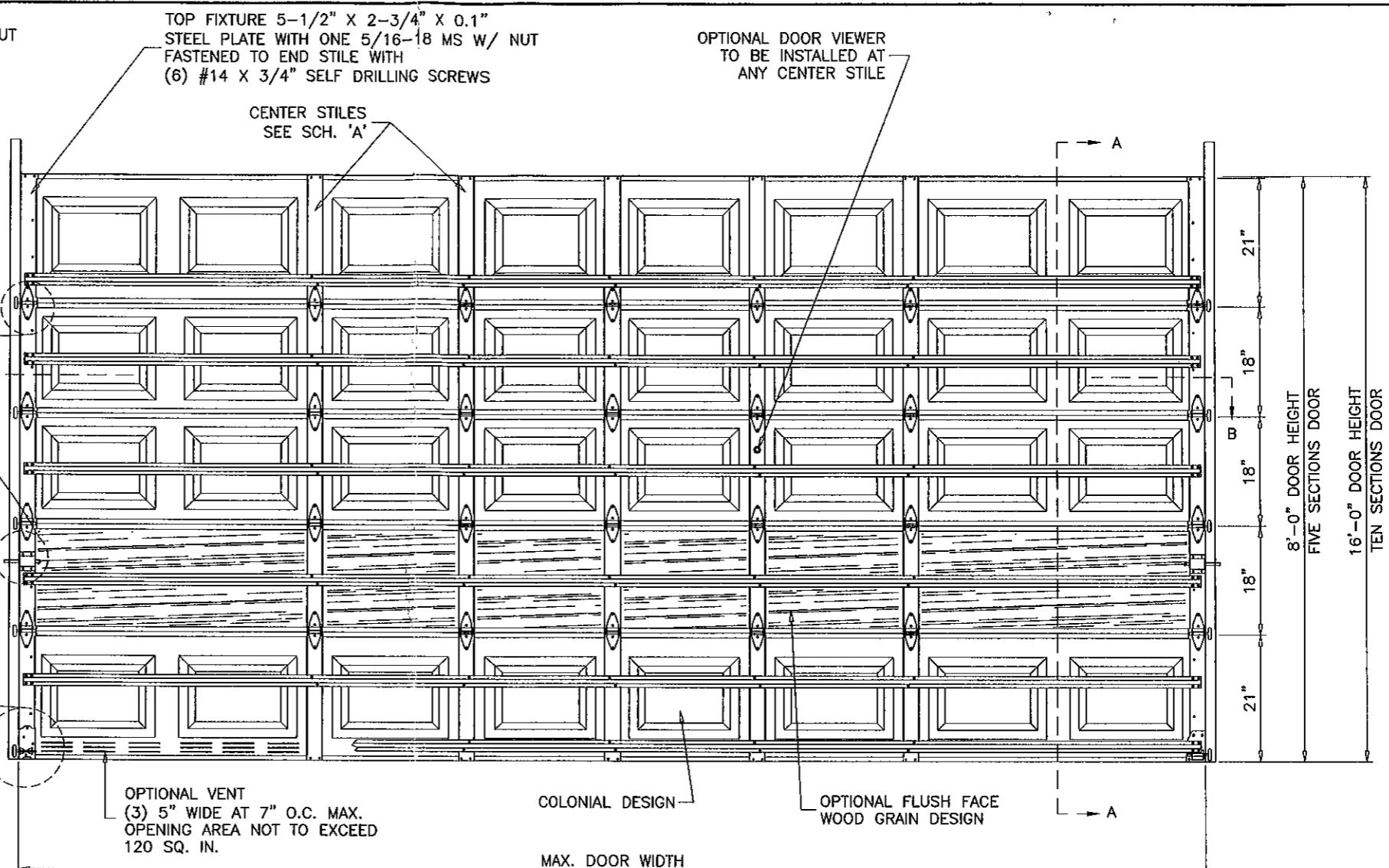
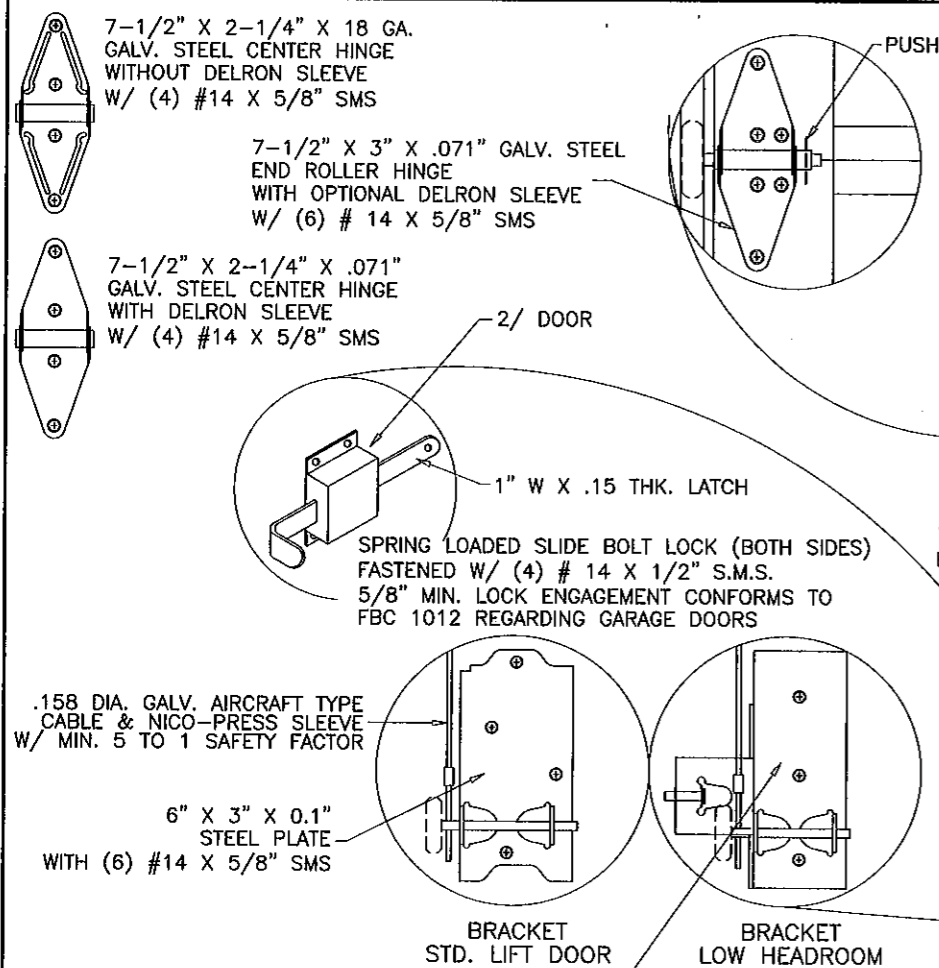
1. Statement letter of code conformance to 2010 FBC and no financial interest, issued by Al-Farooq Corporation, dated 11/07/2011, signed and sealed by Javad Ahmad, P.E.



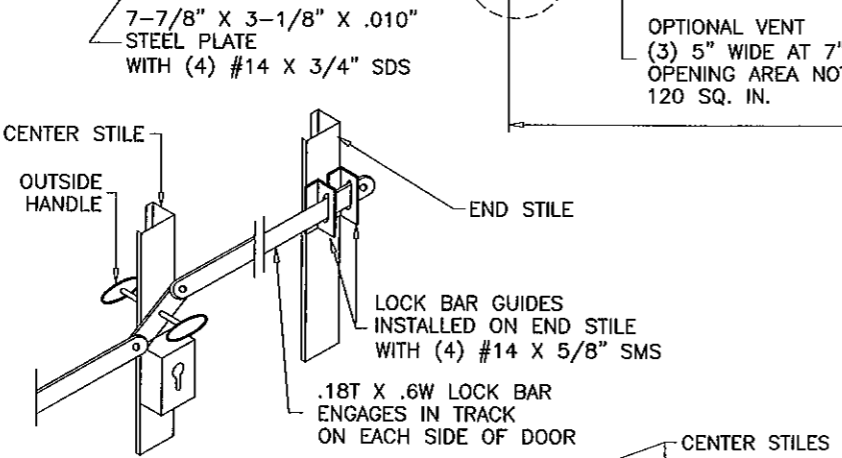
02/10/2012

Carlos M. Utrera, P.E.
Product Control Examiner
NOA No. 11-1219.12

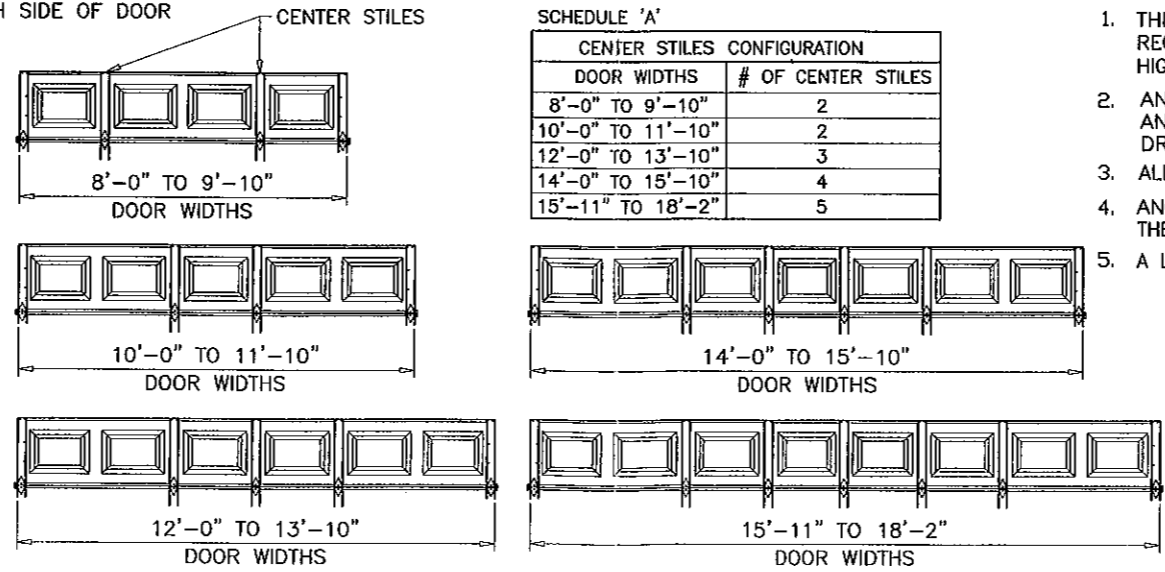
Expiration Date: March 29, 2017
Approval Date: February 16, 2012



DOOR HEIGHT	CONSISTS OF	
6'-6"	2 SECTIONS 18"	2 SECTIONS 21"
6'-9"	1 SECTION 18"	3 SECTIONS 21"
7'	4 SECTIONS 21"	-
7'-3"	-	-
7'-6"	5 SECTIONS 18"	-
7'-9"	4 SECTIONS 18"	1 SECTION 21"
8'	3 SECTIONS 18"	2 SECTIONS 21"
8'-3"	2 SECTIONS 18"	3 SECTIONS 21"
8'-6"	1 SECTION 18"	4 SECTIONS 21"
8'-9"	5 SECTIONS 21"	-
9'	6 SECTIONS 18"	-
9'-3"	5 SECTIONS 18"	1 SECTION 21"
9'-6"	4 SECTIONS 18"	2 SECTIONS 21"
9'-9"	3 SECTIONS 18"	3 SECTIONS 21"
10'	2 SECTIONS 18"	4 SECTIONS 21"
10'-3"	1 SECTION 18"	5 SECTIONS 21"
10'-6"	6 SECTIONS 21"	-
10'-9"	6 SECTIONS 18"	1 SECTION 21"
11'	5 SECTIONS 18"	2 SECTIONS 21"
11'-3"	4 SECTIONS 18"	3 SECTIONS 21"
11'-6"	3 SECTIONS 18"	4 SECTIONS 21"
11'-9"	2 SECTIONS 18"	5 SECTIONS 21"
12'	1 SECTION 18"	6 SECTIONS 21"
12'-3"	7 SECTIONS 21"	-
12'-6"	6 SECTIONS 18"	2 SECTIONS 21"
12'-9"	5 SECTIONS 18"	3 SECTIONS 21"
13'	4 SECTIONS 18"	4 SECTIONS 21"
13'-3"	3 SECTIONS 18"	5 SECTIONS 21"
13'-6"	2 SECTIONS 18"	6 SECTIONS 21"
13'-9"	1 SECTION 18"	7 SECTIONS 21"
14'	8 SECTIONS 21"	-
14'-3"	6 SECTIONS 18"	3 SECTIONS 21"
14'-6"	5 SECTIONS 18"	4 SECTIONS 21"
14'-9"	4 SECTIONS 18"	5 SECTIONS 21"
15'	3 SECTIONS 18"	6 SECTIONS 21"
15'-3"	2 SECTIONS 18"	7 SECTIONS 21"
15'-6"	1 SECTION 18"	8 SECTIONS 21"
15'-9"	9 SECTIONS 21"	-
16'	6 SECTIONS 18"	4 SECTIONS 21"



OUTSIDE KEYED LOCK
 LOCK BAR LOCKING SHOWN ALTERNATE TO LOCKS SHOWN ABOVE



INSIDE ELEVATION
 RAISED PANEL EMBOSSED DOOR

THIS PRODUCT IS RATED FOR LARGE MISSILE IMPACT

DAB DOORS INC.
 Hurricane Master® Model 824/811
 Max. Size 18'-2" X 16'-0" High
 With Window Lite Option

DESIGN PRESSURE RATING = + 40.0 PSF
 - 44.0 PSF

GENERAL NOTES

1. THIS PRODUCT HAS BEEN DESIGNED AND TESTED TO COMPLY WITH THE REQUIREMENTS OF THE FLORIDA BUILDING CODE 2010 EDITION INCLUDING HIGH VELOCITY HURRICANE ZONE.
2. ANCHORS SHALL BE AS LISTED, SPACED AS SHOWN ON DETAILS. ANCHOR EMBEDMENT TO BASE MATERIAL SHALL BE BEYOND WALL DRESSING OR STUCCO.
3. ALL BOLTS, NUTS AND WASHERS SHALL BE ZINC PLATED CARBON STEEL.
4. ANCHORING OR LOADING CONDITIONS OTHER THAN THOSE SHOWN IN THESE DETAILS ARE NOT PART OF THIS APPROVAL.
5. A LOAD DURATION INCREASE IS USED IN DESIGN OF ANCHORS INTO WOOD ONLY.

Engr: JAVAD, AHMAD
 CIVIL
 FLA. PE # 70592
 C.A.N. 3538

NOV 20 2011

PRODUCT RENEWED
 as complying with the Florida Building Code
 Acceptance No 11-1219-12
 Expiration Date 03/29/2017
 By *[Signature]*
 Miami Dade Product Control

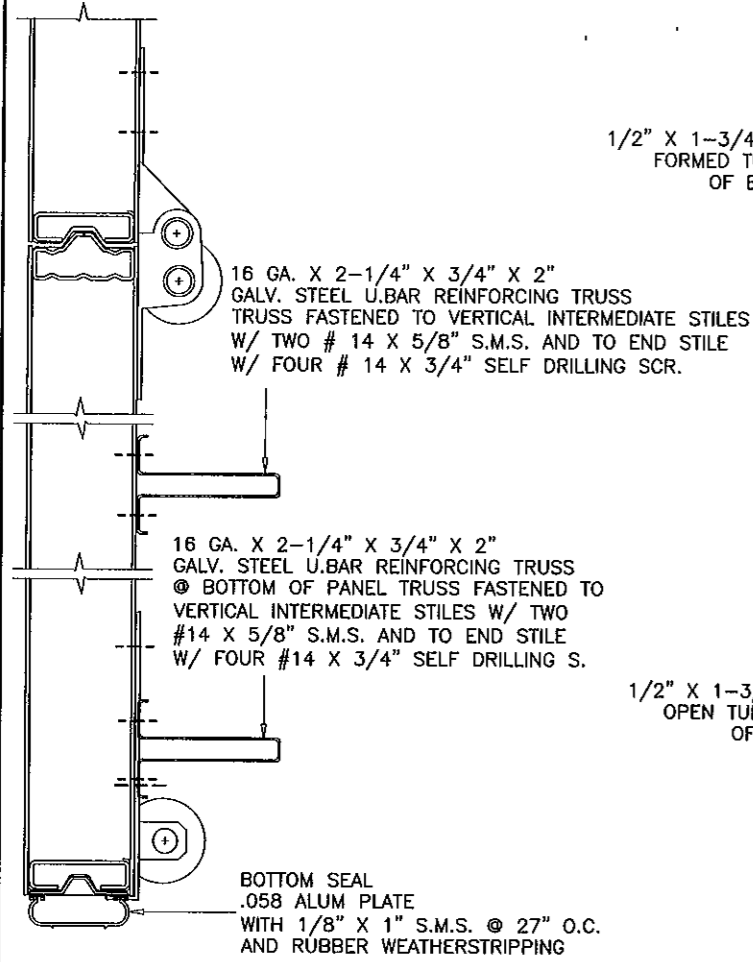
af c
AL-FAROOQ CORPORATION
 ENGINEERS & PRODUCT DEVELOPMENT
 1235 S.W. 87 AVE
 MIAMI, FLORIDA 33174
 TEL. (305) 264-8100 FAX. (305) 262-6978
 GARAGE\05-03DAB

SECTIONAL GARAGE DOOR
DAB DOORS INC.
 12195 N.W. 98 TH. AVE.
 HIALEAH GARDENS, FL. 33018
 TEL. (305) 556 - 6624

revisions:
 no. date by description
 A 11.02.06 REV. PER BCCO COMMENTS
 B 11.17.08 UPDATED FOR 2007 FBC
 C 10.13.11 UPDATED TO 2010 FBC

date: 05-16-05
 scale: 1/2"=1'-0"
 dr. by: HAMID
 chk. by:

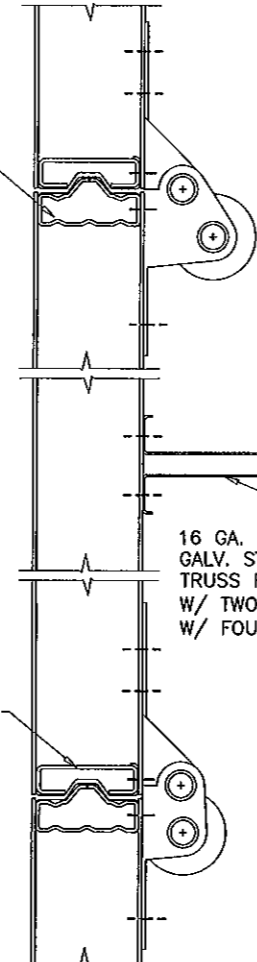
drawing no.
05-03
 sheet 1 of 5



1ST SECTION (BOTTOM)

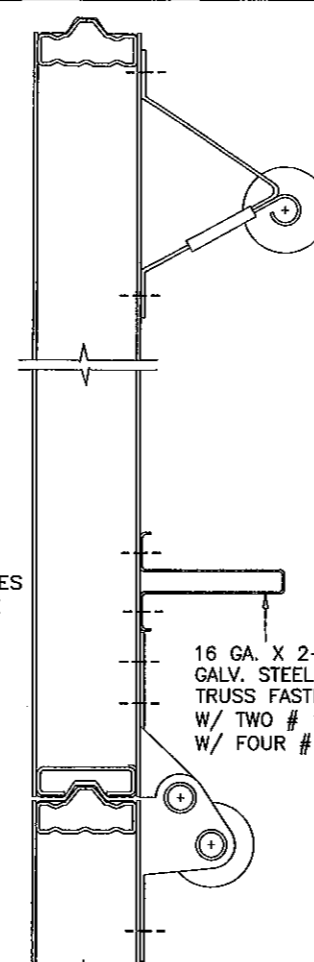
REINFORCING TRUSS TWO AT BOTTOM PANEL

1/2" X 1-3/4" X 16 GA. FORMED TUBE @ TOP OF EACH PANEL



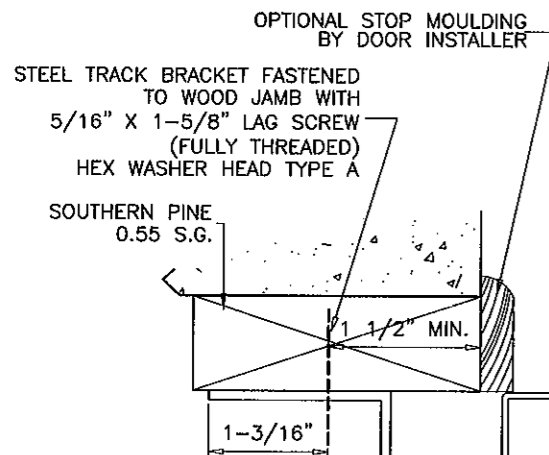
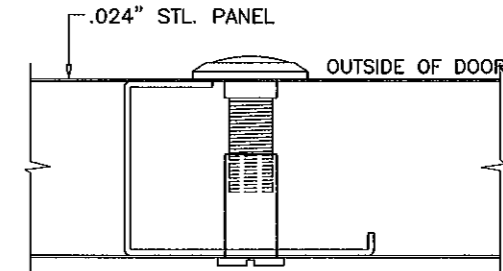
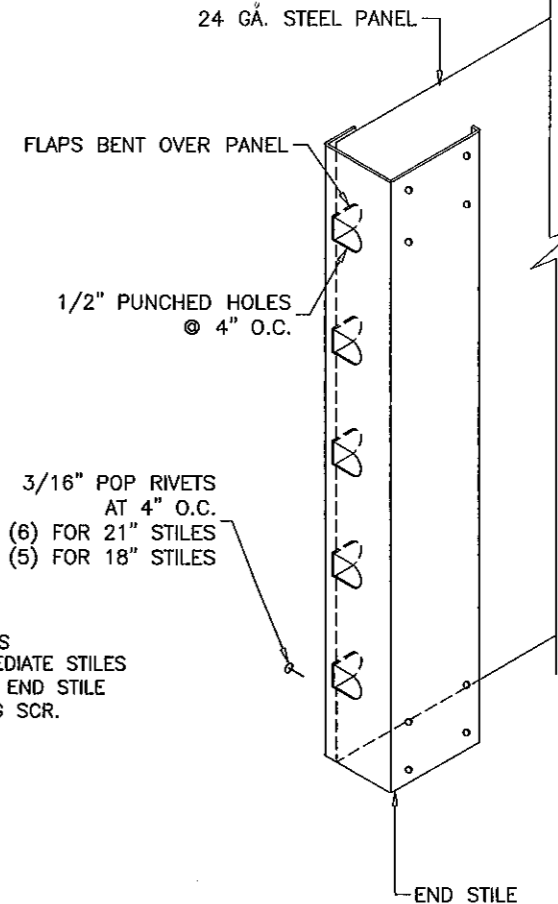
INTERMEDIATE SECTIONS

REINFORCING TRUSS ONE AT EACH PANEL



TOP SECTION

REINFORCING TRUSS ONE AT EACH PANEL



#14 X 5/8" SMS 6 PER HINGE

1/2" X 1-3/4" X .058" FORMED STEEL GLUED TO PANEL AND SECURED TO END STILE WITH 3/16" POP RIVETS @ .12" O.C. AND PUNCHED FLAPS

3/4" X 1-7/8" X 2-1/2" X .049" STEEL CENTER STILE, FOR QUANTITIES SEE SHEET 1 GLUED AND RIVETED TO PANEL

(4) 3/16" POP RIVETS

3/4" X 2" X 2-1/2" X .049" STEEL END STILE, CONNECT TO PANELS WITH FLAPS AND (4) 3/16" ALUM RIVETS SEE DETAIL ABOVE

1.9" X 2.19" X 3.3" X .090" STEEL TRACK BRACKETS SEE SHEET 3 FOR SPACING

2-1/8" X 1" X .078" GALV. STEEL TRACK FASTENED TO TRACK PLATES W/ 1/4-20 X 5/8" TRUSS HD. SLOTTED M.S. & LOCK NUT

7/16" PUSHNUT INSTALLED ON ROLLER SHAFT

(2) 3/16" RIVETS TOP & BOTTOM

7-1/2" X 3" X .071" GALV. STEEL CENTER HINGE

7-1/2" X 3" X .071" END ROLLER HINGE

3/8" POWER-BOLT BY 'POWERS' 2" MIN. EMBED INTO CONC. 2" MIN. EDGE DIST. ONE PER BRACKET SEE SHEET 3 FOR BRACKET SPACING

1/4-20 SS BOLT & NUT

1.82" DIA. X .50" NYLON/STEEL ROLLERS W/ .44 DIA. X 5" STEM

INTERIOR SIDE

SECTION B-B

Engr: JAVAD AHMAD CIVIL
FLA. PE # 70592
C.A.N. 3538

NOV 07 2011

PRODUCT RENEWED
as complying with the Florida Building Code
Acceptance No. 11-1219-12
Expiration Date 03/29/2017

By: *[Signature]*
Miami Door Product Control

af c

AL-FAROOQ CORPORATION
ENGINEERS & PRODUCT DEVELOPMENT
1235 S.W. 87 AVE
MIAMI, FLORIDA 33174
TEL. (305) 264-8100 FAX. (305) 262-6978
GARAGE\05-03DAB

SECTIONAL GARAGE DOOR

DAB DOORS INC.
12195 N.W. 98 TH. AVE.
HIALEAH GARDENS, FL. 33018
TEL. (305) 556 - 6624

no.	date	description
A	11.02.06	REV. PER BCCO COMMENTS
B	11.17.08	UPDATED FOR 2007 FBC
C	10.13.11	NO CHANGE THIS SHEET

revisions:

date: 05-16-05

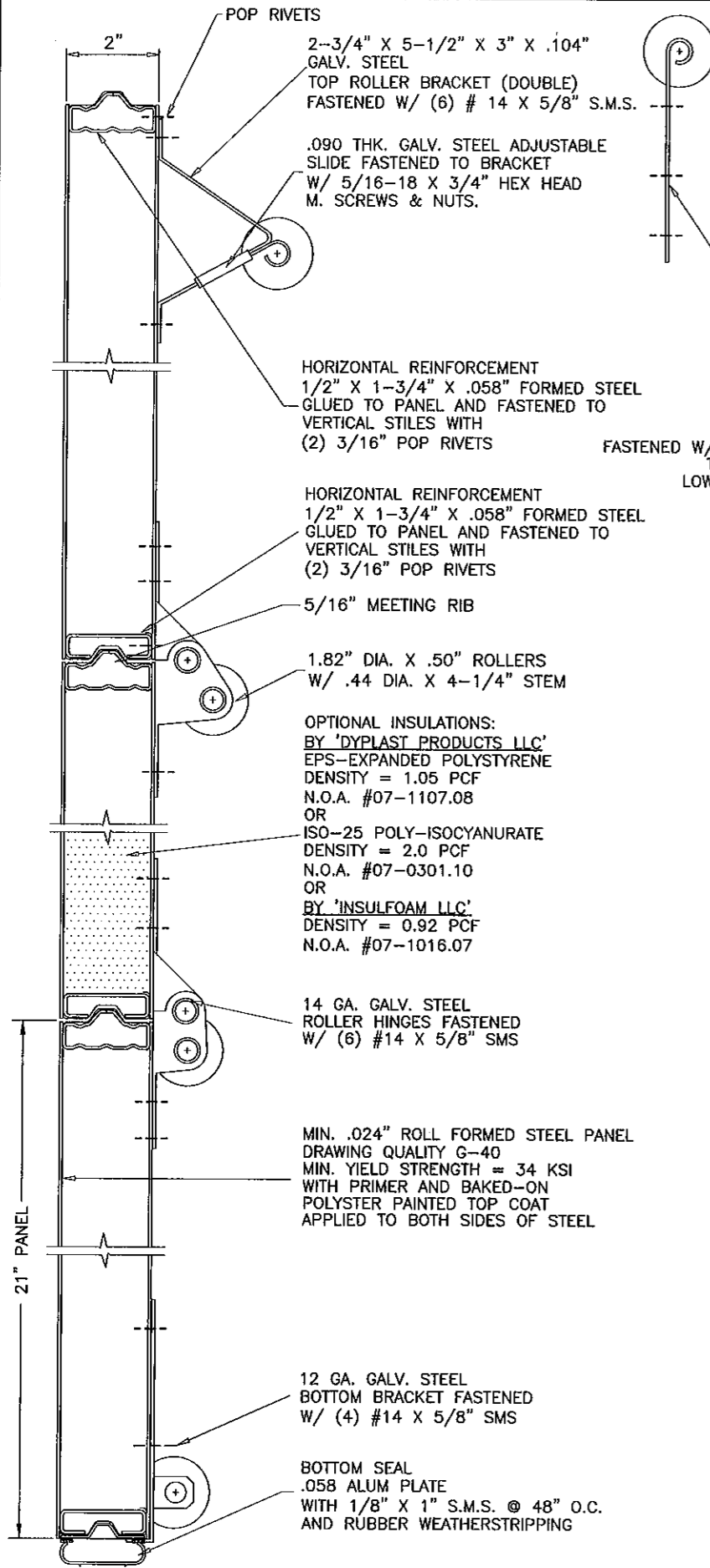
scale:

dr. by: HAMID

chk. by:

drawing no. 05-03

sheet 2 of 5



5/16" X 1-5/8" LAG SCREWS INTO WOOD OR 5/16" SLEEVE ANCHORS WITH 1-1/4" EMBED INTO MASONRY 3 PER BRACKET

2-1/2" X 4-1/4" X 13 GA. STEEL PLATES WELDED TO 1-1/2" X 1-1/2" X 14 GA. ANGLE FASTENED TO TRACK WITH (4) 1/4-20 SS. BOLT & NUTS

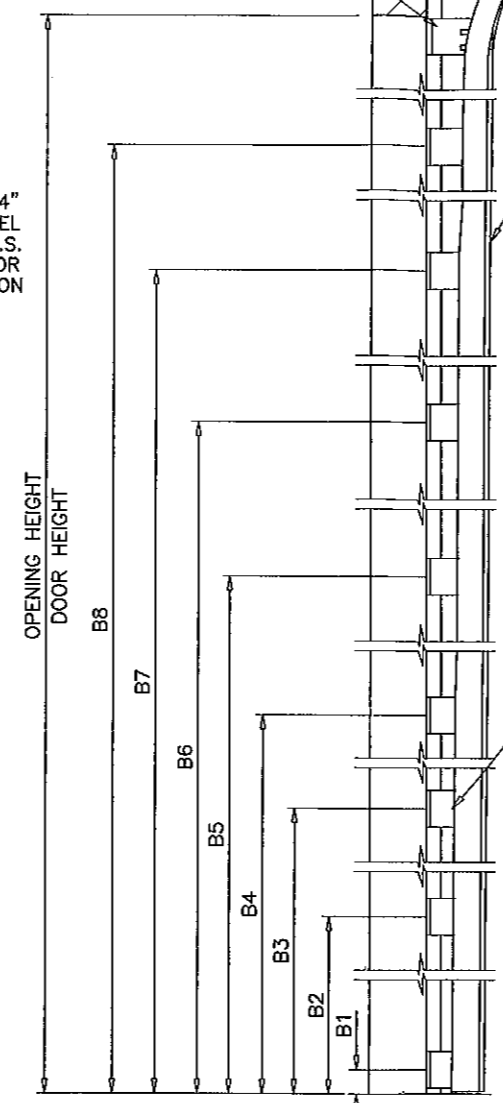
2" X 5-1/2" X .104" GALV. STEEL FASTENED W/ (4) # 14 X 5/8" S.M.S. TOP ROLLER BRACKET FOR LOW HEADROOM DOOR OPTION

HORIZ. TRACK SUPPORT, CENTER SUPPORT REQD. ON DOORS EXCEEDING 8 FT. IN HEIGHT

2 X 2 X 1/8" HORIZ. ANGLE SPOT WELDED TO HORIZ. TRACK WITH TWO WELDS AT 1-1/2" APART FIRST AT 3" O.C. REST AT 9" O.C. CONNECTED TO FLAG BRACKET ANGLE W/ 3/8-16 X 3/4" BOLT & NUT AND TO SPRING SHAFT GUIDE WITH (2) 1/4-20 X 5/8" BOLT & NUT

HORIZ. TRACK LENGTH = OPENING HEIGHT PLUS 12"

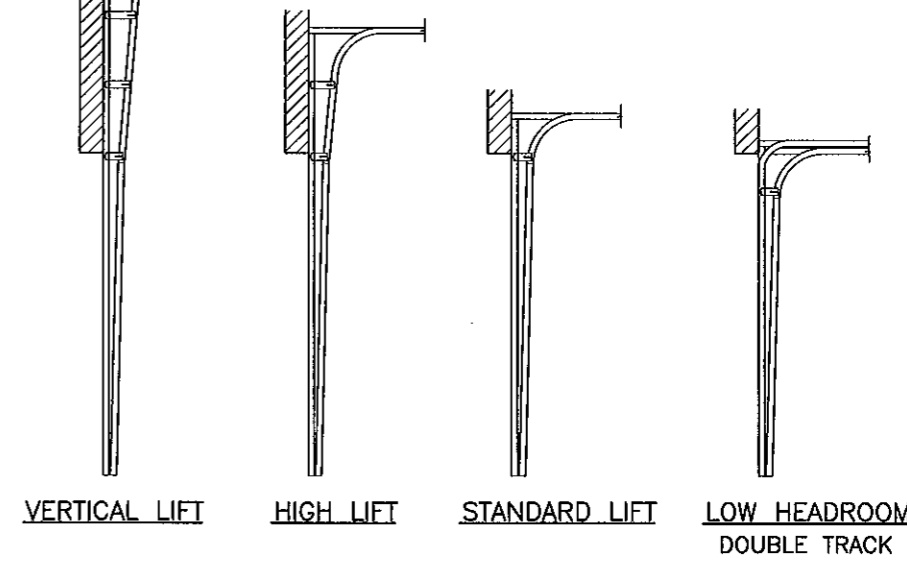
VERTICAL TRACK 2-1/8" X 1" X .080" SECTION A-A



DOOR HEIGHT	* SECTION HEIGHTS					BRACKET PLACEMENTS							
	1ST	2ND	3RD	4TH	5TH	B1	B2	B3	B4	B5	B6	B7	B8
6'-0"	18"	18"	18"	18"	N/A	1"	11-3/4"	23"	34"	45"	56"	67"	-
6'-6"	21"	18"	18"	21"	N/A	1"	11-3/4"	23"	34"	45"	56"	67"	-
7'-0"	21"	21"	21"	21"	N/A	1"	11-3/4"	23"	34"	45"	56"	67"	-
7'-6"	18"	18"	18"	18"	18"	1"	11-3/4"	23"	34"	45"	56"	67"	78-1/4"
8'-0"	21"	18"	18"	18"	21"	1"	11-3/4"	23"	34"	45"	56"	67"	78-1/4"

*-SECTIONS ARE NUMBERED STARTING AT THE BOTTOM FOR DOORS MORE THAN 8 FT. HIGH, USE ADDITIONAL TRACK BRACKETS AT 10" O.C.

1.9" X 2.19" X 3.3" X .090" STEEL TRACK BRACKETS 2-3/16" HIGH CONNECTED TO TRACK WITH (1) 1/4" BOLTS & NUTS.



AVAILABLE TRACK OPTIONS

Engr: JAWAD AHMAD CIVIL
FLA. PE. # 70592
C.A.N. 3538
NOV 07 2011

PRODUCT RENEWED as complying with the Florida Building Code
Acceptance No 11-1219.12
Expiration Date 03/29/2017
By *[Signature]*
Miami Dade Product Control

AL-FAROOQ CORPORATION
ENGINEERS & PRODUCT DEVELOPMENT
1235 S.W. 87 AVE
MIAMI, FLORIDA 33174
TEL. (305) 264-8100 FAX. (305) 262-6978
GARAGE\05-03DAB

SECTIONAL GARAGE DOOR
DAB DOORS INC.
12195 N.W. 98 TH. AVE.
HIALEAH GARDENS, FL. 33018
TEL. (305) 556 - 6624

no	date	description	by
A	11.02.08	REV. PER BCCO COMMENTS	
B	11.17.08	UPDATED FOR 2007 FBC	
C	10.13.11	NO CHANGE THIS SHEET	

date: 05-16-05
scale:
dr. by: HAMID
chk. by:

drawing no.
05-03
sheet 3 of 5

SECTION A-A
SEE SHEET 2 FOR LOCATION OF REINFORCING TRUSSES

WOOD FRAME BUILDINGS

STUD WALLS OR DOOR OPENING (NOT BY DAB DOORS) SHALL BE FRAMED SOLID BY NOT LESS THAN (3) 2X6 PRESSURE TREATED GRADE 2 SYP OR BETTER WOOD STUDS.
STUD WALLS TO BE CONT. FROM FOOTING TO TIE BEAM. ENGINEER OF RECORD TO VERIFY ADEQUACY OF THE SUPPORTING STRUCTURE.

WOOD BUCK CONNECTION TO MASONRY

TRACK SHALL BE SECURED WITH CONT. STEEL ANGLE TO PRESSURE TREATED 2X6 SYP WOOD JAMBS WHICH SHALL BE ANCHORED TO GROUTED REINFORCED MASONRY BLOCK WALL OR CONC. COLUMN WITH

1/4" ULTRACON BY 'ELCO' WITH SPACING OF 13" O.C. INTO BLOCK WALL, WITH 2-1/4" MIN. EMBED 10" O.C. INTO 3000 PSI CONCRETE, WITH 1-3/4" MIN. EMBED 3" MIN. EDGE DISTANCE

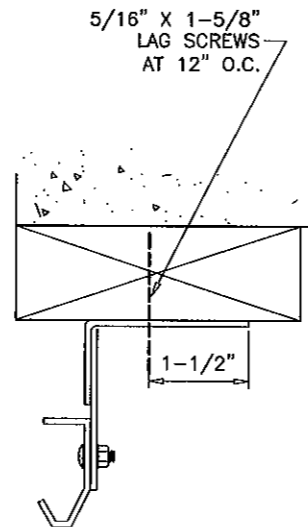
1/4" TAPPER BY 'POWERS' WITH SPACING OF 8" O.C. INTO BLOCK WALL, WITH 1-1/2" MIN. EMBED 10" O.C. INTO 3000 PSI CONCRETE, WITH 1-3/4" MIN. EMBED 3" MIN. EDGE DISTANCE

3/8" CONFLX BY 'ELCO' OR 3/8" LDT BY 'ITW' WITH SPACING OF 22" O.C. INTO 3000 PSI CONCRETE, WITH 2-1/2" MIN. EMBED 3" MIN. EDGE DISTANCE

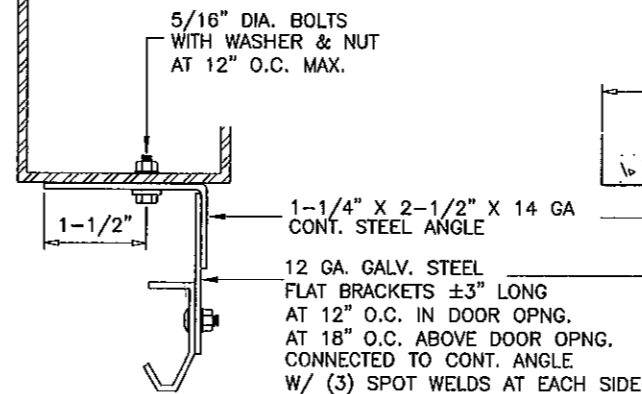
3/8" HLC SLEEVE BY 'HILTI' WITH SPACING OF 11" O.C. INTO BLOCK WALL, WITH 1-1/4" MIN. EMBED, 4" MIN. EDGE DIST. 12" O.C. INTO 3000 PSI CONCRETE, WITH 1-1/4" MIN. EMBED AND 2-1/2" MIN. EDGE DISTANCE

THE BLOCK WALL CELLS SHALL BE GROUT FILLED AND REINFORCED WITH FOUR # 5 BARS EXTENDING INTO FOOTING AND INTO TIE BEAMS ALL BARS SHALL BE CONTINUOUS FROM TIE BEAMS TO FOOTING.

PREPARATION OF JAMBS BY OTHERS

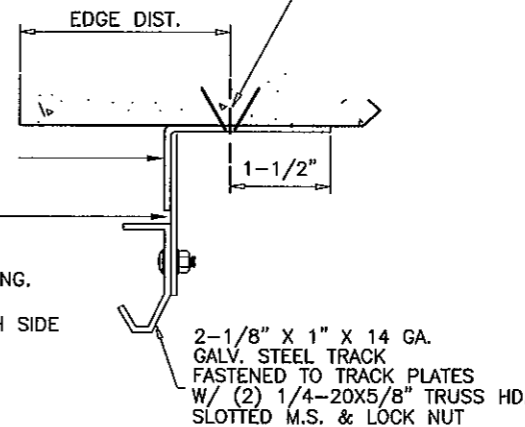


STEEL STRUCTURE BY OTHERS MUST SUPPORT THE LOADS IMPOSED BY DOOR SYSTEM



ANCHOR SPACING				
ANCHORS	STRUCTURE	EMBED	SPACING	EDGE DIST.
3/8" HLC SLEEVE BY 'HILTI'	CONC.	1-1/4"	8"	2"
3/8" HLC SLEEVE BY 'HILTI'	FILLED BLOCK	1-1/4"	8"	4"
3/8" DYNABOLT BY 'ITW'	CONC.	1-1/2"	8"	2-3/4"
1/2" DYNABOLT BY 'ITW'	FILLED BLOCK	1-7/8"	8"	4"
3/8" POWER-BOLT BY 'POWERS'	CONC.	2"	8"	2"
3/8" SLEEVE-ALL BY 'SIMPSONS'	CONC.	1-1/2"	8"	3"

CONCRETE f'c = 3000 PSI MIN.
C-90 GROUT FILLED BLOCK f'm = 2000 PSI MIN.



ALTERNATE TRACK INSTALLATION

Engr: JAVAD AHMAD
CIVIL
FLA. PE # 70592
C.A.N. 0538
[Signature]
NOV 07 2011

PRODUCT RENEWED
as complying with the Florida Building Code
Acceptance No 11-1219.12
Expiration Date 03/29/2017
By *[Signature]*
Miami Dade Product Control

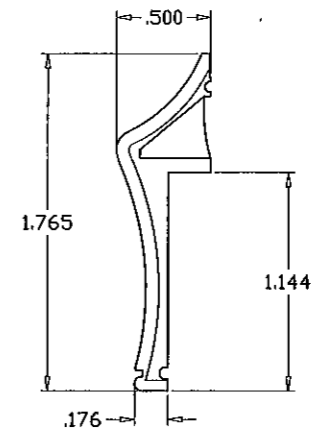
af c
AL-FAROOQ CORPORATION
ENGINEERS & PRODUCT DEVELOPMENT
1235 S.W. 87 AVE
MIAMI, FLORIDA 33174
TEL. (305) 264-8100 FAX. (305) 262-6978
GARAGE\05-03DAB

SECTIONAL GARAGE DOOR
DAB DOORS INC.
12195 N.W. 98 TH. AVE.
HIALEAH GARDENS, FL. 33018
TEL. (305) 556 - 6624

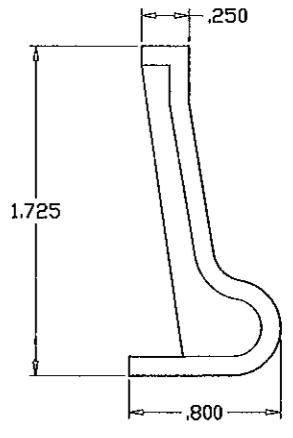
revisions:	no	date	by	description
	B	11.17.08		UPDATED FOR 2007 FBC
	C	10.13.11		NO CHANGE THIS SHEET

date: 05-16-05
scale:
dr. by: HAMID
chk. by:
drawing no. 05-03
sheet 4 of 5

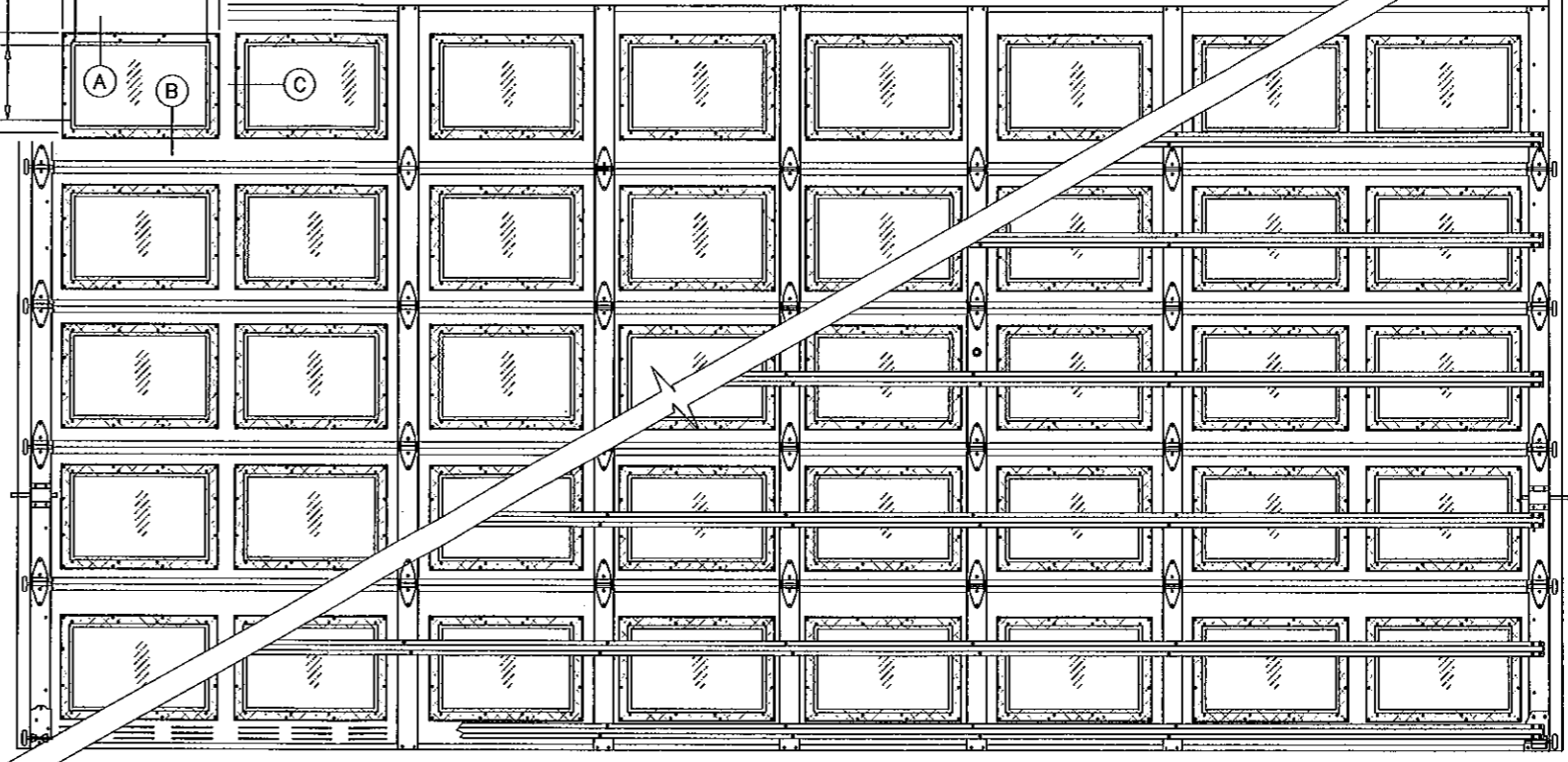
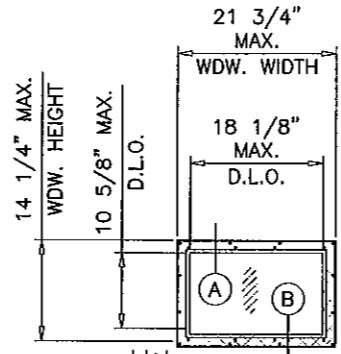
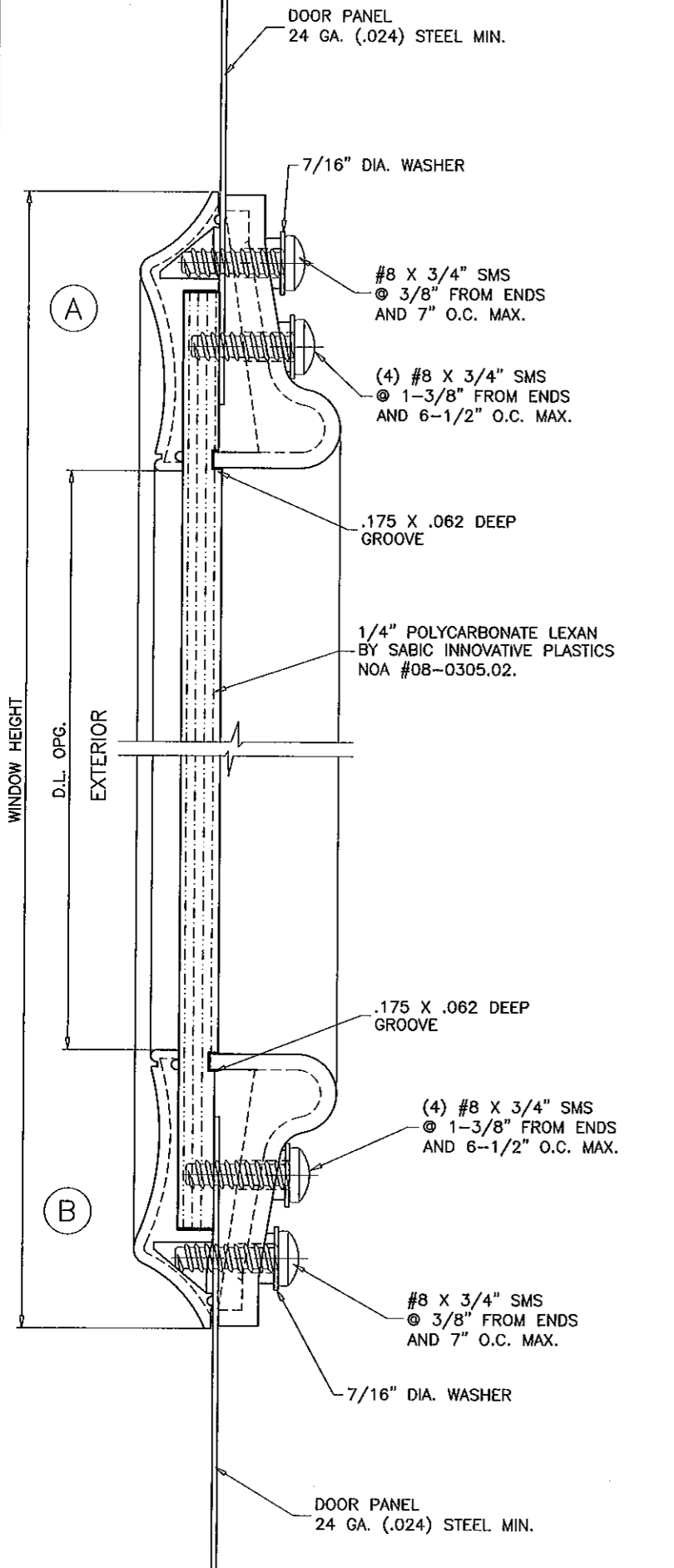
* PLASTIC COMPLIES WITH SECTION 2612 OF FBC 2007 SEE EVIDENCE PAGE



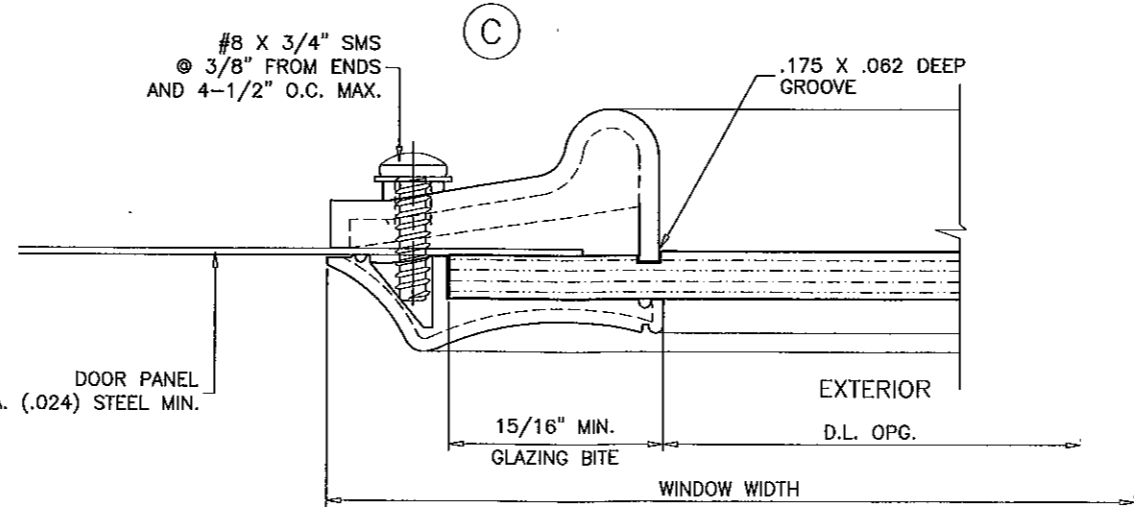
* EXTERIOR FRAME
RIGID PVC ONE PIECE INJECTION



* INTERIOR FRAME
RIGID PVC ONE PIECE INJECTION



INSIDE ELEVATION
RAISED PANEL EMBOSSED DOOR WITH OPTIONAL WINDOWS



Engr: JAVAD AHMAD
CIVIL
FLA. PE # 70592
C.A.N. 3538

[Signature]
NOV 07 2011

PRODUCT RENEWED
as complying with the Florida
Building Code
Acceptance No 11-1219.12
Expiration Date 03/29/2017

By *[Signature]*
Miami Dade Product Control

af c
AL-FAROOQ CORPORATION
ENGINEERS & PRODUCT DEVELOPMENT
1235 S.W. 87 AVE
MIAMI, FLORIDA 33174
TEL. (305) 264-8100 FAX. (305) 262-6978
GARAGE\05-03DAB

SECTIONAL GARAGE DOOR
DAB DOORS INC.
12195 N.W. 98 TH. AVE.
HIALEAH GARDENS, FL. 33018
TEL. (305) 556 - 6624

no	date	description	by
A	11.02.06	REV. PER BCCO COMMENTS	
B	11.17.08	UPDATED FOR 2007 FBC	
C	10.13.11	NO CHANGE THIS SHEET	

date: 05-16-05
scale:
dr. by: HAMID
chk. by:
drawing no.
05-03
sheet 5 of 5