



DEPARTMENT OF PERMITTING, ENVIRONMENT, AND REGULATORY
AFFAIRS (PERA)
BOARD AND CODE ADMINISTRATION DIVISION

NOTICE OF ACCEPTANCE (NOA)

MIAMI-DADE COUNTY
PRODUCT CONTROL SECTION
11805 SW 26 Street, Room 208
Miami, Florida 33175-2474
T (786) 315-2590 F (786) 315-2599
www.miamidade.gov/pera/

Trulite Window & Door Solutions, LLC
8130 NW 74th Avenue
Medley, FL 33166

SCOPE:

This NOA is being issued under the applicable rules and regulations governing the use of construction materials. The documentation submitted has been reviewed and accepted by Miami-Dade County PERA - Product Control Section to be used in Miami Dade County and other areas where allowed by the Authority Having Jurisdiction (AHJ).

This NOA shall not be valid after the expiration date stated below. The Miami-Dade County Product Control Section (In Miami Dade County) and/or the AHJ (in areas other than Miami Dade County) reserve the right to have this product or material tested for quality assurance purposes. If this product or material fails to perform in the accepted manner, the manufacturer will incur the expense of such testing and the AHJ may immediately revoke, modify, or suspend the use of such product or material within their jurisdiction. PERA reserves the right to revoke this acceptance, if it is determined by Miami-Dade County Product Control Section that this product or material fails to meet the requirements of the applicable building code.

This product is approved as described herein, and has been designed to comply with the Florida Building Code, including the High Velocity Hurricane Zone.

DESCRIPTION: Series "800" Aluminum Awning Window – N.I.

APPROVAL DOCUMENT: Drawing No. **W98-21**, titled "Series-800 Alum Awning Window (N.I.)" Sheets 1 through 4 of 4, dated 03/03/98 with revision G dated 12/23/11, prepared by Al-Farooq Corporation, signed and sealed by Javad Ahmad, P.E., bearing the Miami-Dade County Product Control Revision stamp with the Notice of Acceptance number and expiration date by the Miami-Dade County Product Control Section.

MISSILE IMPACT RATING: None.

LABELING: Each unit shall bear a permanent label with the manufacturer's name or logo, city, state, model/series, and following statement: "Miami-Dade County Product Control Approved", unless otherwise noted herein.

RENEWAL of this NOA shall be considered after a renewal application has been filed and there has been no change in the applicable building code negatively affecting the performance of this product.

TERMINATION of this NOA will occur after the expiration date or if there has been a revision or change in the materials, use, and/or manufacture of the product or process. Misuse of this NOA as an endorsement of any product, for sales, advertising or any other purposes shall automatically terminate this NOA. Failure to comply with any section of this NOA shall be cause for termination and removal of NOA.

ADVERTISEMENT: The NOA number preceded by the words Miami-Dade County, Florida, and followed by the expiration date may be displayed in advertising literature. If any portion of the NOA is displayed, then it shall be done in its entirety.

INSPECTION: A copy of this entire NOA shall be provided to the user by the manufacturer or its distributors and shall be available for inspection at the job site at the request of the Building Official. This NOA revises NOA # **11-0316.09** and consists of this page 1 and evidence pages E-1 and E-2, as well as approval document mentioned above.

The submitted documentation was reviewed by **Manuel Perez, P.E.**



NOA No. 12-0118.28
Expiration Date: September 17, 2016
Approval Date: March 15, 2012
Page 1

NOTICE OF ACCEPTANCE: EVIDENCE SUBMITTED

A. DRAWINGS

1. Manufacturer's die drawings and sections.
2. Drawing No. **W98-21**, titled "Series-800 Alum Awning Window (N.I.)" Sheets 1 through 4 of 4, dated 03/03/98 with revision G dated 12/23/11, prepared by Al-Farooq Corporation, signed and sealed by Javad Ahmad, P.E.

B. TESTS

1. Test reports on:
 - 1) Air Infiltration Test, per FBC, TAS 202-94
 - 2) Uniform Static Air Pressure Test, Loading per FBC TAS 202-94
 - 3) Water Resistance Test, per FBC, TAS 202-94
 - 4) Large Missile Impact Test per FBC, TAS 201-94
 - 5) Cyclic Wind Pressure Loading per FBC, TAS 203-94
 - 6) Forced Entry Test, per FBC 2411 3.2.1, TAS 202-94

along with marked-up drawings and installation diagram of a series 800 aluminum awning window, prepared by Fenestration Testing Laboratory, Inc., Test Report No. **FTL-5099**, dated 11/24/06, signed and sealed by Edmundo Largaespada, P.E., and addendum letter dated 12/22/06, signed and sealed by Carlos S. Rionda, P.E.

(Submitted under previous NOA#09-0316.07)

2. Test reports on:
 - 1) Air Infiltration Test, per PA 202-94
 - 2) Uniform Static Air Pressure Test, Loading per PA 202-94
 - 3) Water Resistance Test, per PA 202-94
 - 4) Forced Entry Test, per SFBC 3603.2 (b) and PA 202-94

along with marked-up drawings and installation diagram of an aluminum awning window, prepared by Fenestration Testing Laboratory, Inc., Test Report No. **FTL-1827**, dated 12/30/97, with addendum letter dated August 25, 1998, all signed and sealed by Gilbert Diamond, P.E. and addendum letter dated August 17, 1998, signed by Mr. Manny Sanchez.

(Submitted under previous NOA#09-0316.07)

C. CALCULATIONS

1. Anchor verification calculations and structural analysis, complying with FBC-2007 and FBC-2010, prepared by Al-Farooq Corporation, dated 02/24/09 and updated on 01/04/12, signed and sealed by Javad Ahmad, P.E.
2. Glazing complies with ASTM E1300-04


Manuel Perez, P.E.
Product Control Examiner

NOA No. 12-0118-28

Expiration Date: September 17, 2016

Approval Date: March 15, 2012

Trulite Window & Door Solutions, LLC

NOTICE OF ACCEPTANCE: EVIDENCE SUBMITTED

D. QUALITY ASSURANCE

1. Miami-Dade Department of Permitting, Environment, and Regulatory Affairs (PERA).

E. MATERIAL CERTIFICATIONS

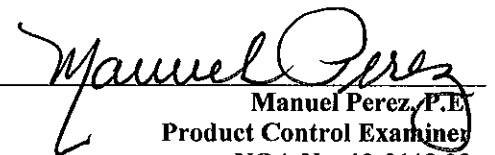
1. None.

F. STATEMENTS

1. Statement letter of conformance, complying with the FBC-2010, and of no financial interest, dated January 4, 2012, signed and sealed by Javad Ahmad, P.E.
2. Laboratory compliance letter for Test Report No. **FTL- 1827** issued by Fenestration Testing Laboratory, Inc., dated January 20, 1998, signed and sealed by Gilbert Diamond, P.E.
3. Florida Dept of State, listing of Trulite Window & Door Solutions, LLC (Foreign Limited Liability Co.), managed by Arch Intermediate Holding, LLC, Tamarac, Fl., dated 02/03/10.
4. Certificate of registration of name change from "Trulite Residential Windows, LLC" to "Trulite Window & Door Solutions, LLC" issued by State of Delaware on 10/28/11, signed by J.W. Bullock.
5. Certificate of registration of name change from "Arch Windows, LLC" to Trulite Residential Windows, LLC" issued by State of Delaware on 07/27/11, signed by J.W. Bullock.
6. Florida Department of State, listing of Arch Window, LLC (Foreign Limited Liability Co.), managed by Arch Intermediate Holding, LLC, Tamarac, Florida, dated 01/22/10.
7. Certificate of registration of Arch Windows, LLC (Delaware) in State of Florida dated 02/04/10, managed by Arch Intermediate Holding, LLC.

G. OTHERS

1. Notice of Acceptance No. **11-0316.09**, issued to Arch Windows, LLC dba AWP for their Series "800" Aluminum Awning Window – N.I., approved on 05/05/11 and expiring on 09/17/16.

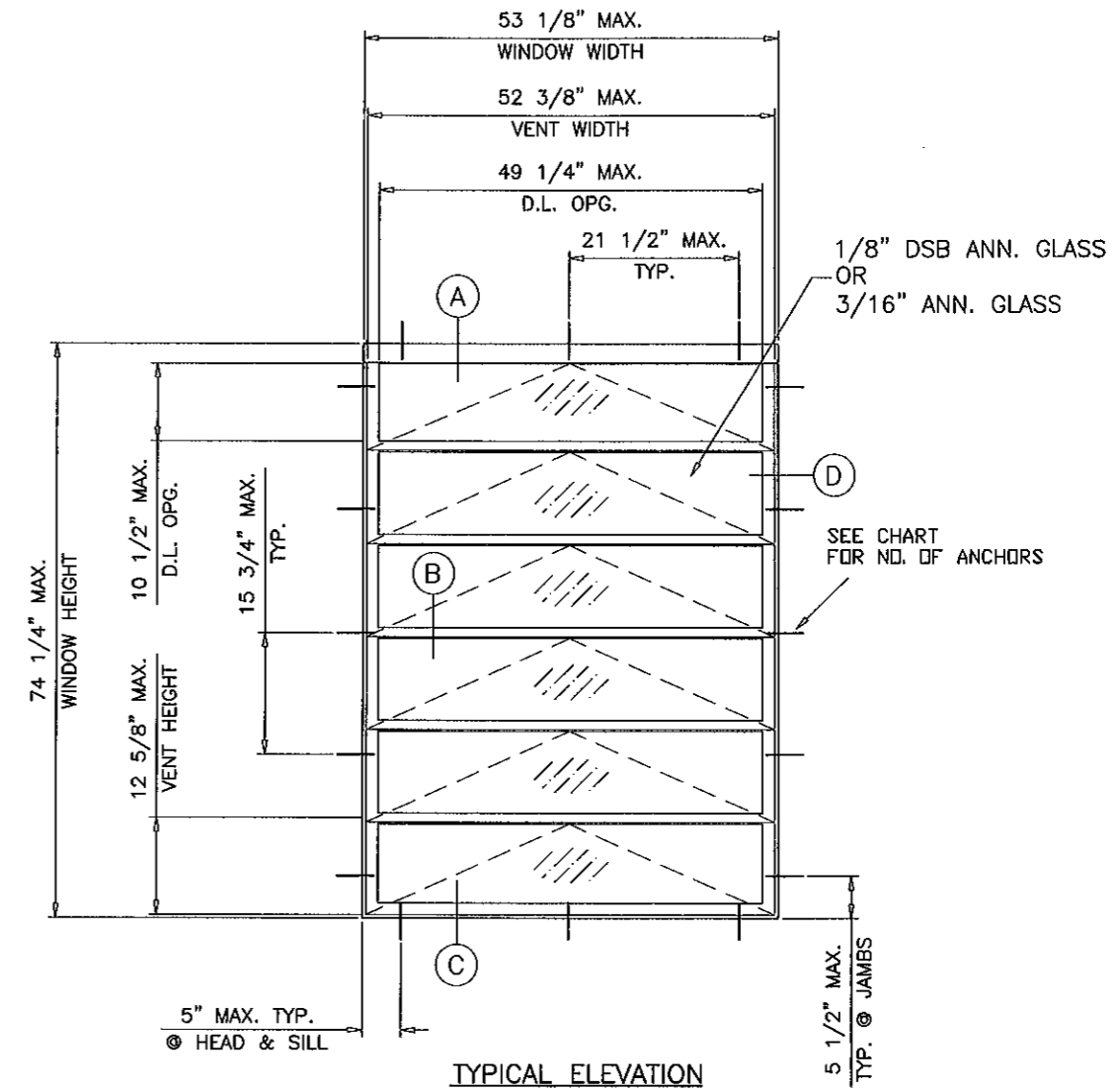

Manuel Perez, P.E.
Product Control Examiner

NOA No. 12-0118.28

Expiration Date: September 17, 2016

Approval Date: March 15, 2012

DESIGN LOAD CAPACITY - PSF							
WINDOW DIMS.		NUMBER OF VENTS	NUMBER OF ANCHORS/JAMB	1/8" DSB ANN. GLASS		3/16" ANN. GLASS	
WIDTH	HEIGHT			EXT.(+)	1NT.(-)	EXT.(+)	1NT.(-)
19-1/8"	26"	2	2	63.3	75.0	-	-
26-1/2"		2	2	63.3	75.0	-	-
37"		2	2	63.3	71.3	-	-
53-1/8"		2	2	37.0	37.0	49.6	49.6
19-1/8"	38-3/8"	3	3	63.3	75.0	-	-
26-1/2"		3	3	63.3	75.0	-	-
37"		3	3	63.3	72.4	-	-
53-1/8"		3	3	37.0	37.0	50.1	50.1
19-1/8"	50-5/8"	4	4	63.3	75.0	-	-
26-1/2"		4	4	63.3	75.0	-	-
37"		4	4	63.3	73.2	-	-
53-1/8"		4	4	37.0	37.0	49.8	49.8
19-1/8"	63"	5	5	63.3	75.0	-	-
26-1/2"		5	5	63.3	75.0	-	-
37"		5	5	63.3	73.5	-	-
53-1/8"		5	5	37.0	37.0	49.5	49.5
19-1/8"	74-1/4"	6	5	63.3	75.0	-	-
26-1/2"		6	5	63.3	75.0	-	-
37"		6	5	63.3	74.9	-	-
53-1/8"		6	5	37.0	37.0	50.1	50.0



SERIES-800 ALUMINUM AWNING WINDOW

DESIGN LOAD RATINGS FOR THESE WINDOWS TO BE AS PER CHARTS SHOWN ABOVE.

APPROVAL APPLIES TO SINGLE AWNING WINDOWS, ALSO COMBINATIONS OF AWNING/AWNING OR AWNING WITH OTHER WINDOW TYPES IN MODULES OF TWO OR MORE WINDOWS USING MIAMI-DADE COUNTY APPROVED MULLIONS IN BETWEEN. LOWER DESIGN PRESSURE FROM WINDOWS OR MULLION APPROVAL WILL APPLY TO ENTIRE SYSTEM.

THIS PRODUCT HAS BEEN DESIGNED AND TESTED TO COMPLY WITH THE REQUIREMENTS OF THE FLORIDA BUILDING CODE INCLUDING HIGH VELOCITY HURRICANE ZONE (HVHZ).

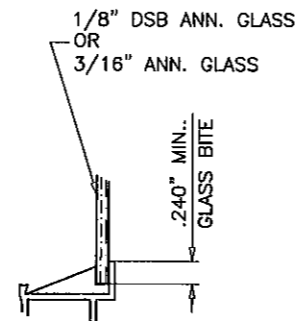
WOOD BUCKS BY OTHERS, MUST BE ANCHORED PROPERLY TO TRANSFER LOADS TO THE STRUCTURE.

ANCHORS SHALL BE AS LISTED, SPACED AS SHOWN ON DETAILS, ANCHORS EMBEDMENT TO BASE MATERIAL SHALL BE BEYOND WALL DRESSING OR STUCCO.

ANCHORING OR LOADING CONDITIONS NOT SHOWN IN THESE DETAILS ARE NOT PART OF THIS APPROVAL.

A LOAD DURATION INCREASE IS USED IN DESIGN OF ANCHORS INTO WOOD ONLY.

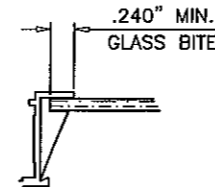
MATERIALS INCLUDING BUT NOT LIMITED TO STEEL/METAL SCREWS, THAT COME INTO CONTACT WITH OTHER DISSIMILAR MATERIALS SHALL MEET THE REQUIREMENTS OF THE FLORIDA BLDG. CODE SECTION 2003.8.4.



VENT TOP/BOTTOM

EXTERIOR GLAZED WITH ROLL FORMED ALUMINUM GLAZING BEAD AND 'GE 1000 SILICONE'.

('SCHNEE MOREHEAD 5555' GLAZING COMPOUND OPTIONAL)



VENT JAMB

GLAZING DETAIL

NOTE:
GLASS CAPACITIES ON THIS SHEET ARE BASED ON ASTM E1300-04 (3 SEC. GUSTS) AND FLORIDA BUILDING COMMISSION DECLARATORY STATEMENT DCA05-DEC-219

WINDOWS NOT RATED FOR IMPACT.
INSTALLATION OF THIS PRODUCT IN THE HVHZ AREA REQUIRES THE USE OF APPROVED SHUTTERS OR EXTERNAL PROTECTION DEVICES COMPLYING WITH HVHZ REQUIREMENTS.
INSTALLATION OF THIS SYSTEM OUTSIDE THE HVHZ AREA SHALL MEET THE APPLICABLE REQUIREMENTS FOR WIND BORNE DEBRIS PROTECTION.

**MONOLITHIC GLASS
NON IMPACT**

Engr: JAVAD AHMAD
CIVIL
FLA. PE # 70592
C.A.N. 3538
JAN 11 2012

PRODUCT REVISED
as complying with the Florida
Building Code
Acceptance No 12-0118-28
Expiration Date SEPT. 11, 2016
By *Mamud Peraz*
Miami Dade Product Control

af c

AL-FAROOQ CORPORATION
ENGINEERS & PRODUCT DEVELOPMENT
12335 S.W. 87 AVE
MIAMI, FLORIDA 33174
TEL. (305) 264-8100 FAX (305) 262-6975
COMP-ANL\W98-21AWP

SERIES-800 ALUM AWNING WINDOW (N.I.)
TRULITE WINDOW & DOOR SOLUTIONS, LLC
8130 N.W. 74TH AVE.
MEDLEY, FL. 33166
TEL. (305) 887-2646 FAX (305) 883-1309

no	date	by	description
D	05.15.07		REV. PER BCCO COMMENTS
E	02.20.09		UPDATED FOR 2007 FBC
F	05.06.10		MANUF. NAME REVISED
G	12.23.11		UPDATED TO 2010 FBC, NAME REV

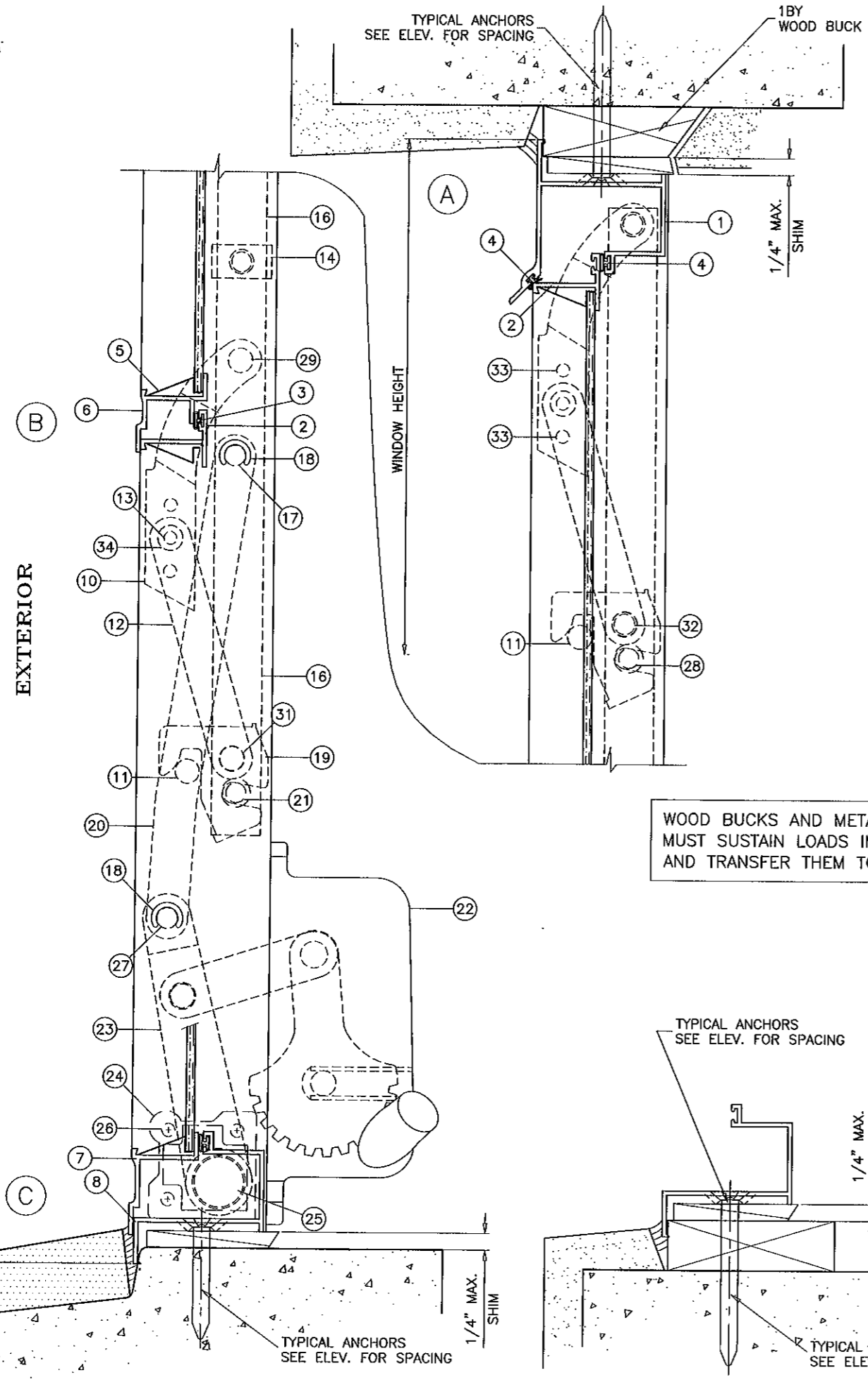
date: 03-03-98
scale: 1/2"=1'-0"
dr. by: HAMID
chk. by:

drawing no.
W98-21

sheet 1 of 4

WINDOW HEIGHT

EXTERIOR



TYPICAL ANCHORS SEE ELEV. FOR SPACING
1BY WOOD BUCK

2BY WOOD BUCK OR WOOD STRUCTURE

TYPICAL ANCHORS SEE ELEV. FOR SPACING
METAL STRUCTURE

MIAMI-DADE COUNTY APPROVED MULLION & MULLION ANCHORS SEE SEPARATE NOA

TYPICAL ANCHORS SEE ELEV. FOR SPACING

TYPICAL ANCHORS SEE ELEV. FOR SPACING

WOOD BUCKS AND METAL STRUCTURE NOT BY TRULITE MUST SUSTAIN LOADS IMPOSED BY GLAZING SYSTEM AND TRANSFER THEM TO THE BUILDING STRUCTURE.

TYPICAL ANCHORS SEE ELEV. FOR SPACING

TYPICAL ANCHORS SEE ELEV. FOR SPACING

TYPICAL ANCHORS: SEE ELEV. FOR SPACING

- 1/4" DIA. TAPCONS BY 'ITW'
- 1/4" DIA. ULTRACON BY 'ELCO' (Fu=177 KSI, Fy=155 KSI)
- INTO 2BY WOOD BUCKS OR WOOD STRUCTURES 1-3/8" MIN. PENETRATION INTO WOOD
- THRU 1BY BUCKS INTO CONC. OR MASONRY 1-1/4" MIN. EMBED INTO CONC. OR MASONRY
- DIRECTLY INTO CONC. OR MASONRY 1-1/4" MIN. EMBED INTO CONC. OR MASONRY
- #14 SMS OR SELF DRILLING SCREWS (GRADE 2 CRS) INTO METAL STRUCTURES
- STEEL : 12 GA. MIN. (Fy = 36 KSI MIN.)
- ALUMINUM : 1/8" THK. MIN. (6063-T5 MIN.)
- (STEEL IN CONTACT WITH ALUMINUM TO BE PLATED OR PAINTED)

#10 SMS OR SELF DRILLING SCREWS INTO MIAMI-DADE COUNTY APPROVED MULLIONS (MIN. THK. = .090") (NO SHIM SPACE)

TYPICAL EDGE DISTANCE
INTO CONCRETE AND MASONRY = 1-1/4" MIN.
INTO WOOD STRUCTURE = 1/2" MIN.
INTO METAL STRUCTURE = 1/2" MIN.

CONCRETE f'c = 3000 PSI MIN.
MASONRY f'm = 2000 PSI MIN.

SEALANTS:
FRAME CORNERS AND VENT CORNER SEAMS TO BE SEALED WITH 'SCHNEE MOREHEAD 5504' SEALANT.

Engr: JAVAD AHMAD, CIVIL
FLA. PE # 70592
C.A.N. 3538

JAN 11 2012

PRODUCT REVISED as complying with the Florida Building Code
Acceptance No 12-0118-28
Expiration Date SEPT 17, 2016

By *Manuel Diaz*
Miami Dade Product Control

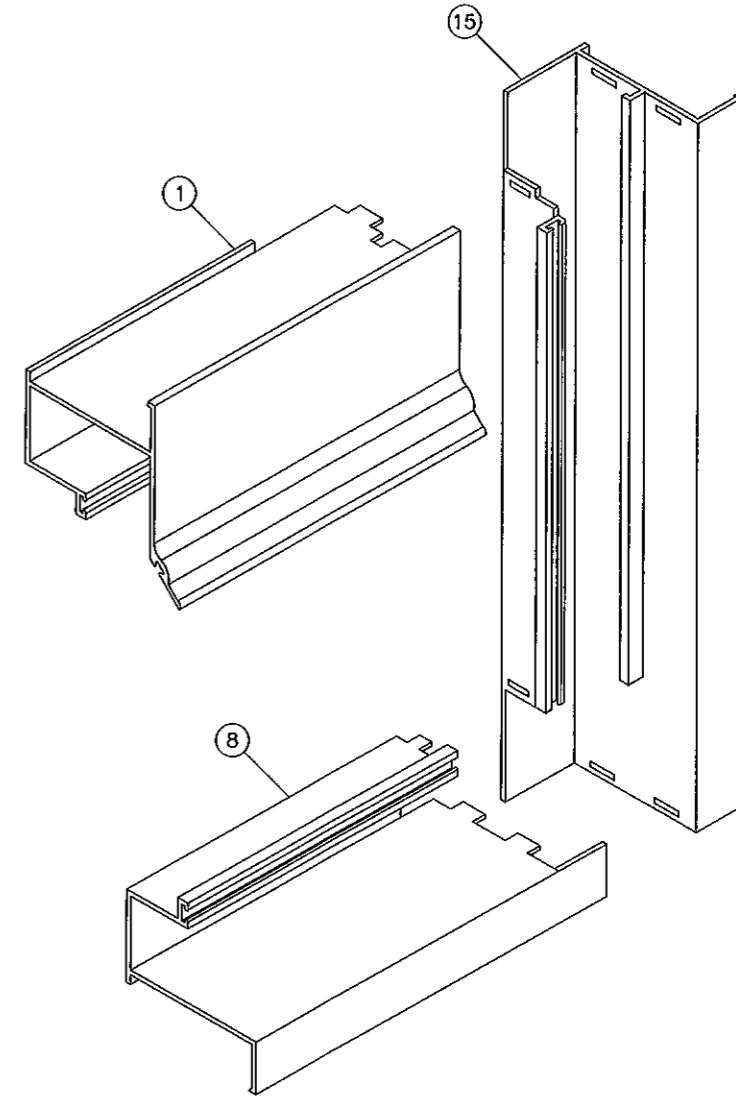
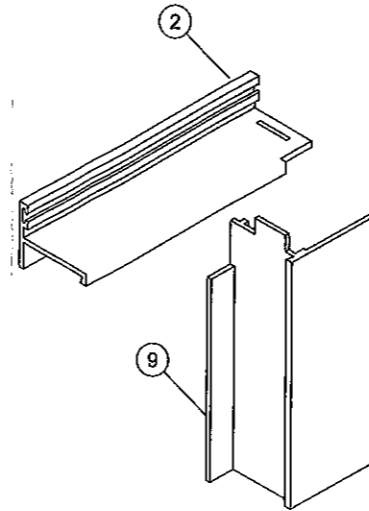
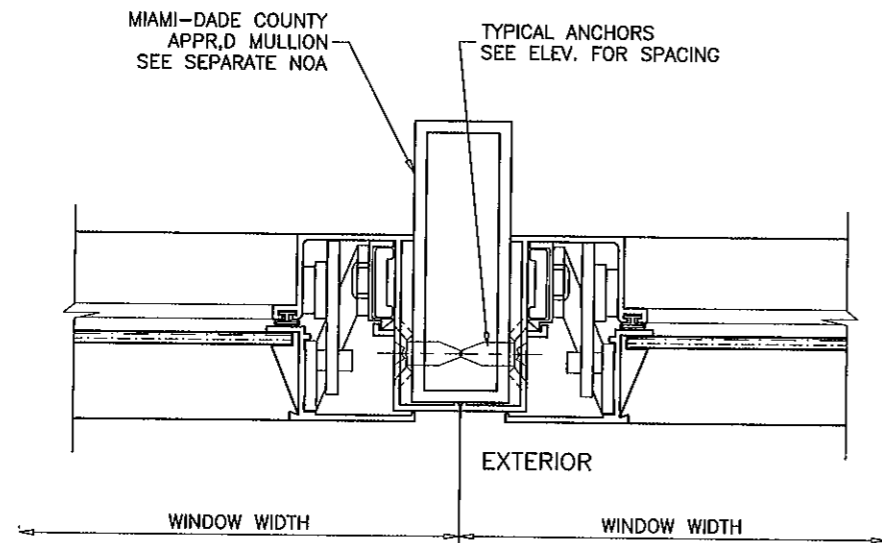
af c
AL-FAROOQ CORPORATION
ENGINEERS & PRODUCT DEVELOPMENT
1235 S.W. 87 AVE
MIAMI, FLORIDA 33174
TEL. (305) 264-8100 FAX. (305) 262-6978
COMP-ANL\W98-21AWP

SERIES-800 ALUM AWNING WINDOW (N.I.)
TRULITE WINDOW & DOOR SOLUTIONS, LLC
8130 N.W. 74TH AVE.
MEDLEY, FL. 33166
TEL. (305) 887-2846 FAX (305) 883-1309

no	date	by	description
D	05.15.07		NO CHANGE THIS SHEET
E	02.20.09		UPDATED FOR 2007 FBC
F	05.06.10		MANUF. NAME REVISED
G	12.23.11		MANUF. NAME REVISED

date: 03-03-98
scale: 1/2" = 1"
dr. by: HAMID
chk. by:

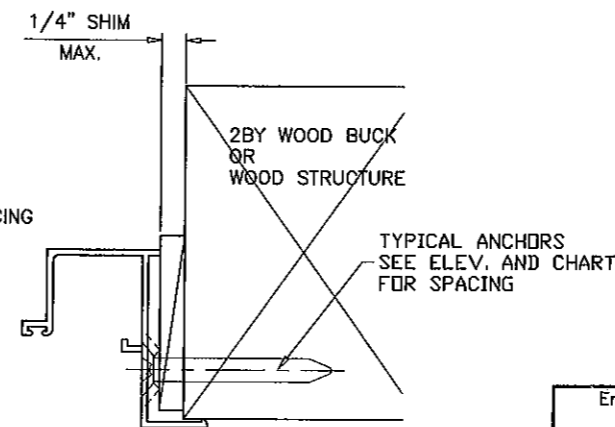
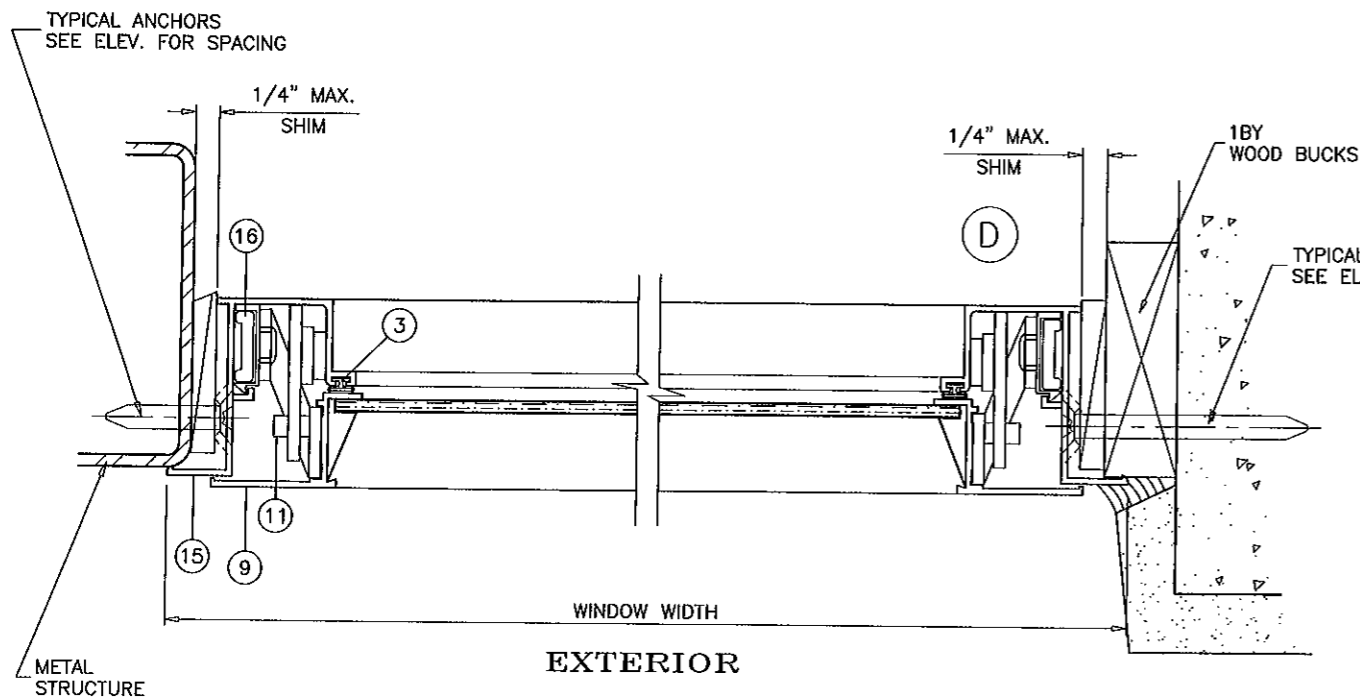
drawing no.
W98-21
sheet 2 of 4



VENT CORNER ASSEMBLY

FRAME CORNER ASSEMBLY

FRAME AND VENTS ARE ASSEMBLED USING STAKED MORTISE AND TENON FABRICATION



Engr. JAVAD AHMAD
CIVIL
FLA. PE # 70592
C.A.N. 3538

J.A.
JAN 11 2012

PRODUCT REVISED
as complying with the Florida
Building Code
Acceptance No. 12-0118.25
Expiration Date SEPT. 17, 2016
By *Manuel Perry*
Miami Dade Product Control

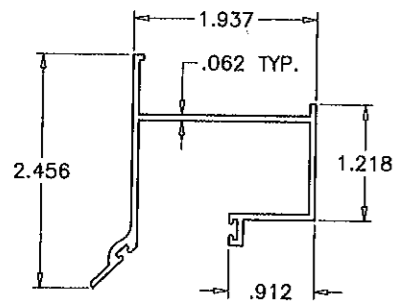
af c
AL-FAROQ CORPORATION
ENGINEERS & PRODUCT DEVELOPMENT
1235 S.W. 87 AVE
MIAMI, FLORIDA 33174
TEL. (305) 264-8100 FAX. (305) 262-6978
COMP-ANL W98-21AWP

SERIES-800 ALUM AWNING WINDOW (N.I.)
TRULITE WINDOW & DOOR SOLUTIONS, LLC
8130 N.W. 74TH AVE.
MEDLEY, FL. 33166
TEL. (305) 887-2646 FAX (305) 883-1309

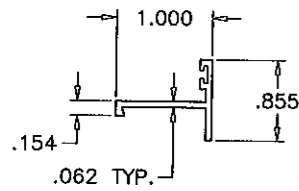
no.	date	description
D	05.15.07	NO CHANGE THIS SHEET
E	02.20.09	UPDATED FOR 2007 FBC
F	05.06.10	MANUF. NAME REVISED
G	12.23.11	MANUF. NAME REVISED

date: 03-03-98
scale: 1/2" = 1"
dr. by: HAMID
chk. by:

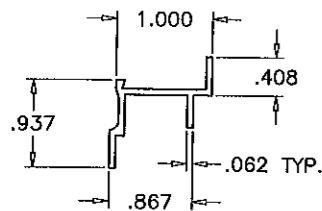
drawing no.
W98-21
sheet 3 of 4



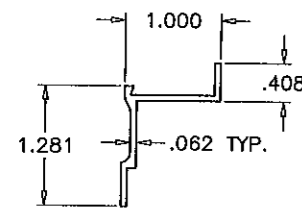
FRAME HEAD



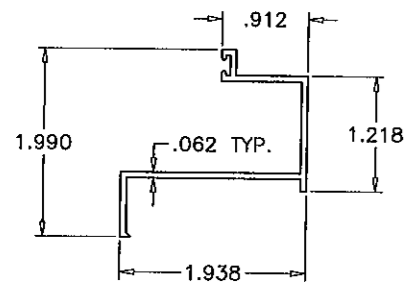
VENT TOP



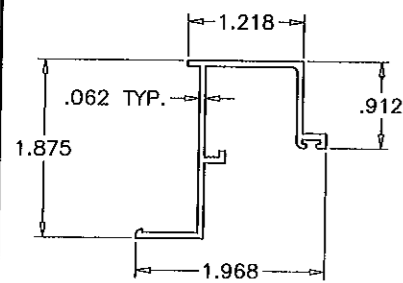
CENTER & TOP VENT BOTTOM



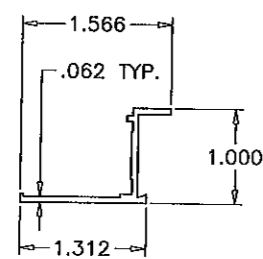
BOTTOM VENT BOTTOM



FRAME SILL



FRAME JAMB



VENT JAMB

ITEM #	PART #	QUANTITY	DESCRIPTION	MATERIAL	MANF./SUPPLIER
1	YE-5	1	FRAME HEAD	ALUM. (6063-T5)	TIFTON OR EQUAL
2	YE-1	1/VENT	VENT TOP	ALUM. (6063-T5)	TIFTON OR EQUAL
3	YH-818	1/VENT	BULB WEATHERSTRIPPING (.155 X .265)	VINYL	WIBORG OR EQUAL
4	YH-817	1	FRAME HEAD WEATHERSTRIPPING (.150 X .200)	VINYL	WIBORG OR EQUAL
5	-	AS REQD.	GLAZING BEAD	ROLL FORMED ALUM.	FLORIDA SCREEN
6	YE-2	1/VENT	CENTER & TOP VENT BOTTOM	ALUM. (6063-T5)	TIFTON OR EQUAL
7	YE-14	1	BOTTOM VENT BOTTOM	ALUM. (6063-T5)	TIFTON OR EQUAL
8	YE-4	1	FRAME SILL	ALUM. (6063-T5)	TIFTON OR EQUAL
9	YE-3	2/VENT	VENT JAMB	ALUM. (6063-T5)	TIFTON OR EQUAL
10	YE-18	2/VENT	VENT HINGE	ALUM. (6063-T5)	YALE OGRON FAB.
11	YH-819	2/VENT	VENT LOCKING PIN	ALUM.	PAN-AMERICAN
12	YE-8	2/VENT	HINGE LINK	ALUM. (6063-T6)	YALE OGRON FAB.
13	YH-811	1/HINGE	HINGE LINK RIVET	ALUM.	PAN-AMERICAN
14	YH-809	2/VENT	SLIDE BAR RETAINER	NYLON	M & M PLASTICS
15	YE-10	2	FRAME JAMB	ALUM. (6063-T5)	TIFTON OR EQUAL
16	YE-6	1/JAMB	SLIDE BAR	ALUM. (6063-T6)	YALE OGRON FAB.
17	YH-806	2/WINDOW	CONNECTING LINK RIVET	ALUMINUM	PAN-AMERICAN
18	YH-805	AS REQD.	'E' RING	ARC STEEL	INTERSTATE SCREW
19	YH-810	2/VENT	CAM LOCK	ZINC DIE CAST	SOUTHERN DIE CAST
20	YE-59	1/BAR	CONNECTING LINK ARM	ALUM. (6063-T5)	YALE OGRON FAB.
21	YH-808	1/BAR	SLIDE BAR BOTTOM PIN	ALUMINUM	PAN-AMERICAN
22	YH-815	1	ATW OFFSET ANGLE OPERATOR (LH OR RH)	ZINC DIE CAST	SOUTHERN DIE CAST
23	YH-803	2	CROSS SHAFT ARM	ZINC DIE CAST	SOUTHERN DIE CAST
24	YH-801	2	CROSS SHAFT BEARING	NYLON	M & M PLASTICS
25	YH-826	1	CROSS SHAFT	STEEL	GALVANIZED
26	YF-6	AS REQD.	SCREW # 10 X 5/16"	PLATED STEEL	INTERSTATE SCREW
27	YH-804	1/ARM	CROSS SHAFT ARM PIN	ALUMINUM	PAN-AMERICAN
28	YH-820	2/VENT	SLIDE BAR PIN-UPPER	ALUMINUM	PAN-AMERICAN
29	YH-807	2/VENT	SLIDE BAR RIVET	ALUMINUM	PAN-AMERICAN
30	YH-821	-	SCREEN SWIVEL CLIP	ALUMINUM	-
31	YH-816	-	SCREEN CLIP RIVET	ALUMINUM	-
32	YH-814	1/LOCK	CAM LOCK RIVET	ALUMINUM	PAN-AMERICAN
33	YH-813	2/HINGE	VENT HINGE RIVET	ALUMINUM	PAN-AMERICAN
34	YH-812	AS REQD.	HINGE LINK RIVET BUSHING	NYLON	M & M PLASTICS

Engr: JAVAD AHMAD
 CIVIL
 FLA. PE # 70592
 C.A.N. 3538

JAN 11 2012

PRODUCT REVISED
 as complying with the Florida
 Building Code
 Acceptance No 12-0118-28
 Expiration Date SEPT. 17, 2016

By *Manuel Perez*
 Miami Dade Product Control

af c

AL-FAROOQ CORPORATION
 ENGINEERS & PRODUCT DEVELOPMENT
 1235 S.W. 87 AVE
 MIAMI, FLORIDA 33174
 TEL. (305) 264-8100 FAX. (305) 262-6978
 COMP-ANL W98-21AWP

SERIES-800 ALUM AWNING WINDOW (N.I.)

TRULITE WINDOW & DOOR SOLUTIONS, LLC
 8130 N.W. 74TH AVE.
 MEDLEY, FL. 33166
 TEL. (305) 887-2646 FAX (305) 883-1309

no.	date	description
D	05.15.07	NO CHANGE THIS SHEET
E	02.20.09	UPDATED FOR 2007 FBC
F	05.06.10	MANUF. NAME REVISED
G	12.23.11	MANUF. NAME REVISED

date: 03-03-98
 scale: 1/2" = 1"
 dr. by: HAMID
 chk. by:

drawing no.
W98-21
 sheet 4 of 4