



DEPARTMENT OF PERMITTING, ENVIRONMENT, AND REGULATORY
AFFAIRS (PERA)
BOARD AND CODE ADMINISTRATION DIVISION
NOTICE OF ACCEPTANCE (NOA)

MIAMI-DADE COUNTY
PRODUCT CONTROL SECTION
11805 SW 26 Street, Room 208
Miami, Florida 33175-2474
T (786) 315-2590 F (786) 315-2599
www.miamidade.gov/pera/

Trulite Window & Door Solutions, LLC
8130 NW 74th Avenue
Medley, FL 33166

SCOPE:

This NOA is being issued under the applicable rules and regulations governing the use of construction materials. The documentation submitted has been reviewed and accepted by Miami-Dade County PERA -Product Control Section to be used in Miami Dade County and other areas where allowed by the Authority Having Jurisdiction (AHJ).

This NOA shall not be valid after the expiration date stated below. The Miami-Dade County Product Control Section (In Miami Dade County) and/or the AHJ (in areas other than Miami Dade County) reserve the right to have this product or material tested for quality assurance purposes. If this product or material fails to perform in the accepted manner, the manufacturer will incur the expense of such testing and the AHJ may immediately revoke, modify, or suspend the use of such product or material within their jurisdiction. PERA reserves the right to revoke this acceptance, if it is determined by Miami-Dade County Product Control Section that this product or material fails to meet the requirements of the applicable building code.

This product is approved as described herein, and has been designed to comply with the Florida Building Code, including the High Velocity Hurricane Zone.

DESCRIPTION: Series 4000 Aluminum Sliding Glass Door

APPROVAL DOCUMENT: Drawing No. **W97-12 Rev F**, titled "Series 4000 Alum SLD. Glass Door (N.I.)", sheets 1 through 9 of 9, dated MAR 20, 2012, prepared by AL-Farooq Corporation, signed and sealed by Javad Ahmad, P.E., bearing the Miami-Dade County Product Control Revision stamp with the Notice of Acceptance number and expiration date by the Miami-Dade County Product Control Section.

MISSILE IMPACT RATING: None. Approved applicable Hurricane Protection Devices, complying w/ FBC are required

Limitations:

1. The Design Pressure chart w/ reinforcement is applicable for 2-track panel configurations OX or XO only (see sheet 3 of 9).
2. Anchors are in pairs at each location of elevation at head, jambs and sill. Frame & panel corner, fixed clip and installation anchors to be sealed with seam sealer.
3. Wedge gasket item # 7 (YH-4004) is Teknor Apex Co's mat'1 (Apex-3174) by Melpoint Plastic, Inc.

LABELING: Each unit shall bear a permanent label with the manufacturer's name or logo, city, state and series and following statement: "Miami-Dade County Product Control Approved", unless otherwise noted herein.

RENEWAL of this NOA shall be considered after a renewal application has been filed and there has been no change in the applicable building code negatively affecting the performance of this product.

TERMINATION of this NOA will occur after the expiration date or if there has been a revision or change in the materials, use, and/or manufacture of the product or process. Misuse of this NOA as an endorsement of any product, for sales, advertising or any other purposes shall automatically terminate this NOA. Failure to comply with any section of this NOA shall be cause for termination and removal of NOA.

ADVERTISEMENT: The NOA number preceded by the words Miami-Dade County, Florida, and followed by the expiration date may be displayed in advertising literature. If any portion of the NOA is displayed, then it shall be done in its entirety.

INSPECTION: A copy of this entire NOA shall be provided to the user by the manufacturer or its distributors and shall be available for inspection at the job site at the request of the Building Official.

This NOA revises NOA # 11-0110.01 (former Arch Windows, LLC dba AWP) and consists of this page 1 and evidence pages E-1 & E-2, as well as approval document mentioned above.

The submitted documentation was reviewed by **Ishaq I. Chanda, P.E.**



NOA No 12-0118.30
Expiration Date: July 22, 2016
Approval Date: March 22, 2012
Page 1

3/21/12

NOTICE OF ACCEPTANCE: EVIDENCE SUBMITTED

A. DRAWINGS

1. Manufacturer's die drawings and sections(transferred from file # **11-0110.01**)
2. Drawing No. **W97-12 Rev F**, titled "Series 4000 Alum SLD. Glass Door (N.I.)", sheets 1 through 9 of 9, dated MAR 20, 2012, prepared by AL-Farooq Corporation, signed and sealed by Javad Ahmad, P.E.
Note: This revision consists of FBC 2010 notes, gasket spec & Co. name change)

B. TESTS (transferred from file # **11-0110.01, 10-0518.08 & 07-0808.09**)

1. Test reports on: 1) Air Infiltration Test, per FBC, TAS 202-94
2) Uniform Static Air Pressure Test, Loading per FBC TAS 202-94
3) Water Resistance Test, per FBC, TAS 202-94
4) Forced Entry Test, per FBC 2411 3.2.1, TAS 202-94

along with marked-up drawings and installation diagram of an aluminum sliding glass door, prepared by Fenestration Testing Laboratory, Inc., Test Report No. **FTL-5175**, 07/14/07, signed and sealed by Carlos S. Rionda, P.E.

2. Test reports on: 1) Air Infiltration Test, per FBC, TAS 202-94
2) Uniform Static Air Pressure Test, Loading per FBC TAS 202-94
3) Water Resistance Test, per FBC, TAS 202-94
4) Forced Entry Test, per FBC 2411 3.2.1, TAS 202-94

along with marked-up drawings and installation diagram of an aluminum sliding glass door, prepared by Fenestration Testing Laboratory, Inc., Test Report No. **FTL-2284**, dated 2/15/99, signed and sealed by Joseph Chan, P.E. (*Submitted under NOA #02-0927.12 Yale Ogron Mfg*)

3. Test reports on: 1) Air Infiltration Test, per FBC, TAS 202-94
2) Uniform Static Air Pressure Test, Loading per FBC TAS 202-94
3) Water Resistance Test, per FBC, TAS 202-94
4) Forced Entry Test, per FBC 2411 3.2.1, TAS 202-94

along with installation diagram of an aluminum sliding glass door, prepared by Fenestration Testing Laboratory, Inc., Test Report No. **FTL-1393 (report#7)**, specimen #A1, A2 & A3, dated 04/19/1996, signed and sealed by late Gilbert Diamond, P.E. (*Submitted under NOA #02-0927.06 Yale Ogron Mfg*)

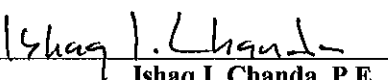
4. Test reports on: 1) Air Infiltration Test, per FBC, TAS 202-94
2) Uniform Static Air Pressure Test, Loading per FBC TAS 202-94
3) Water Resistance Test, per FBC, TAS 202-94
4) Forced Entry Test, per FBC 2411 3.2.1, TAS 202-94

along with marked-up drawings and installation diagram of an aluminum sliding glass door, prepared by Construction Research Laboratory, Inc., Test Report No.

CRL-6392, dated April 17, 1997, signed and sealed by Nariman S. Balsara, P.E. (*Submitted under NOA #01-0607.03 Yale Ogron Mfg. Co*)

C. CALCULATIONS

1. Statement letter of conformance to FBC 2010 and "No change except code revision notes & Company name change", prepared by Al-Farooq Corporation, dated 01/05/12, signed and sealed by Javad Ahmad, P.E.
2. Anchor verification calculations and structural analysis, complying with FBC-2007, prepared by Al Farooq Corporation, dated 03/30/09, signed and sealed by late Dr. Humayoun Farooq, P.E., supplemented by statement compliance to FBC 2007, dated May 04, 2010, signed and sealed by Javad Ahmad, P.E.
3. Glazing complies w/ ASTM E-1300-02 & -04


Ishaq I. Chanda, P.E.
Product Control Examiner
NOA No 12-0118.30
Expiration Date: July 22, 2016
Approval Date: March 22, 2012

NOTICE OF ACCEPTANCE: EVIDENCE SUBMITTED

D. QUALITY ASSURANCE

1. Miami Dade Department of Permitting, Environment, and Regulatory Affairs (PERA).

E. MATERIAL CERTIFICATIONS

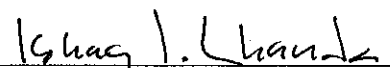
1. Technical material properties data sheet from Tekno Apex Co's APEX-3174, flexible PVC per ASTM D- 2240, ASTM D638 and ASTM D2240.

F. STATEMENTS

1. Statement letter of conformance to FBC 2010 and "No change except code revision notes & Company name change", prepared by Al-Farooq Corporation, dated 01/06/12, signed and sealed by Javad Ahmad, P.E.
2. Statement letter of conformance to FBC 2007 and letter of no financial interest, prepared by Al Farooq Corporation, dated 05/04/10, signed and sealed by Javad Ahmad, P.E. (transferred from file # 11-0110.01)
3. Statement letter dated 03/15/12 issued by Melt Plastic Int'l. Inc, conforming of flexible PVC raw material being Teknor Apex-3174 for manufacturing of Trulite's gaskets YH-621 & YH-4004, signed by John Bravo.
4. Statement letter of compliance, part of the above referenced test reports.
5. Sales agreement between AWP, LLC (seller) and Arch Aluminum & Glass Enterprise, a Delaware Corp (purchaser) dated Jan 14, 2010, signed by Leon J. Silverstein and Wm, Robert Wright, respectively.
6. Certificate of registration of Arch Windows, LLC in State of Delaware, dated 02-03-10.
7. Certificate of registration of Arch Windows, LLC (Delaware) in State of Florida dated 02-04, 2010, managed by Arch Intermediate Holding, LLC.
8. Florida Dept of State, listing of Arch Window, LLC (Foreign Limited Liability Co.), managed by Arch Intermediate Holding, LLC, Tamarac, Fl.
9. Asset purchase agreement dated 11/01/06 among AWP, LLC (Buyer) and Yale Ogron Windows & Door Inc. (seller), signed by Leon J. Silverstein and Manny Valladares, respectively.
10. Statement letter dated March 25, 2010, issued by Arch Windows, LLC that it has purchased all assets of AWP, LLC effectively Jan 29, 2010, signed by Leon Silverstein, President/CEO (Arch Windows, LLC).

G. OTHER

1. This NOA revises NOA # 11-0110.01, expiring on July 22, 2016.
2. Test proposal dated 07/17/06 & 04-02-07, approved by BCCO.



Ishaq I. Chanda, P.E.

Product Control Examiner

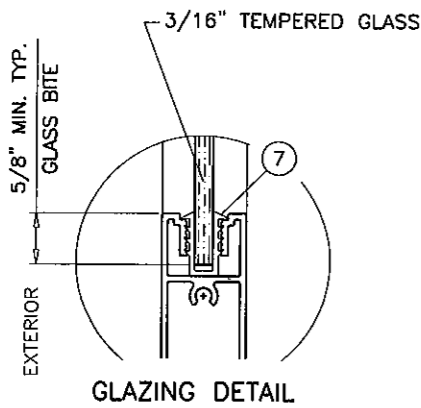
NOA No 12-0118.30

Expiration Date: July 22, 2016

Approval Date: March 22, 2012

DESIGN LOAD CAPACITY - PSF					
PANEL WIDTH NOMINAL INCHES	DOOR HEIGHT INCHES	WITHOUT REINFORCING		WITH REINFORCING	
		EXT. (+)	INT. (-)	EXT. (+)	INT. (-)
24	80-1/2	50.7	93.1	55.3	111.6
30		50.7	78.5	55.3	93.4
36		50.7	68.6	55.3	81.5
42		50.7	61.7	55.3	73.4
48		50.7	56.9	55.3	67.6
54		50.7	53.4	55.3	63.5
24	95-1/2	50.7	55.4	55.3	66.3
30		50.7	51.8	55.3	62.4
36		47.4	47.4	55.3	56.5
42		46.0	46.0	54.3	54.3
48		46.0	46.0	53.5	53.5

NOTE:
GLASS CAPACITIES ON THIS SHEET ARE
BASED ON ASTM E1300-04 (3 SEC. GUSTS)
AND FLORIDA BUILDING COMMISSION
DECLARATORY STATEMENT DCA05-DEC-219



SERIES 4000 ALUMINUM SLIDING GLASS DOOR

DESIGN LOAD CAPACITY FOR DOORS TO BE AS PER CHARTS
SHOWN ABOVE.

THIS PRODUCT HAS BEEN DESIGNED AND TESTED TO COMPLY WITH THE
REQUIREMENTS OF THE FLORIDA BUILDING CODE INCLUDING HIGH VELOCITY
HURRICANE ZONE (HVHZ).

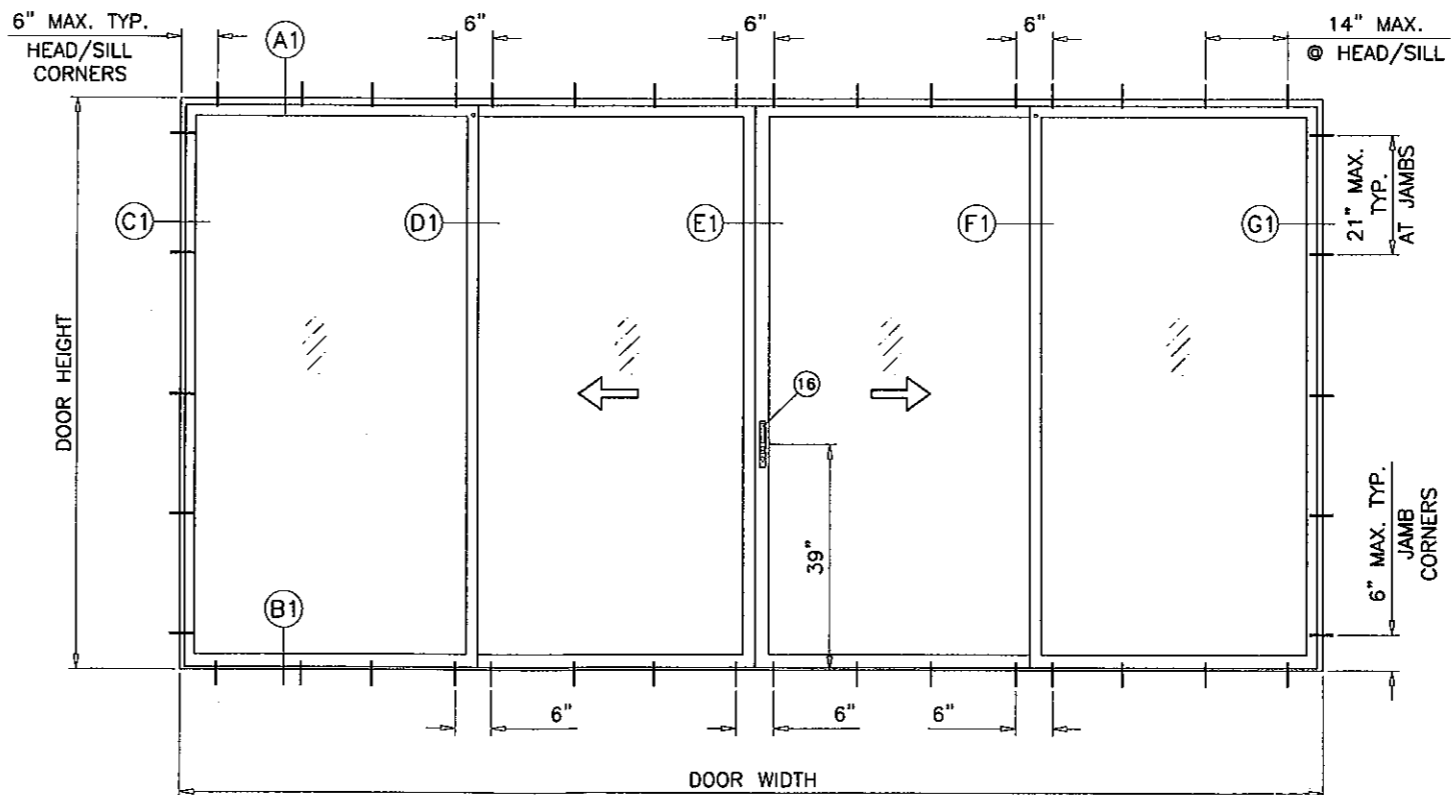
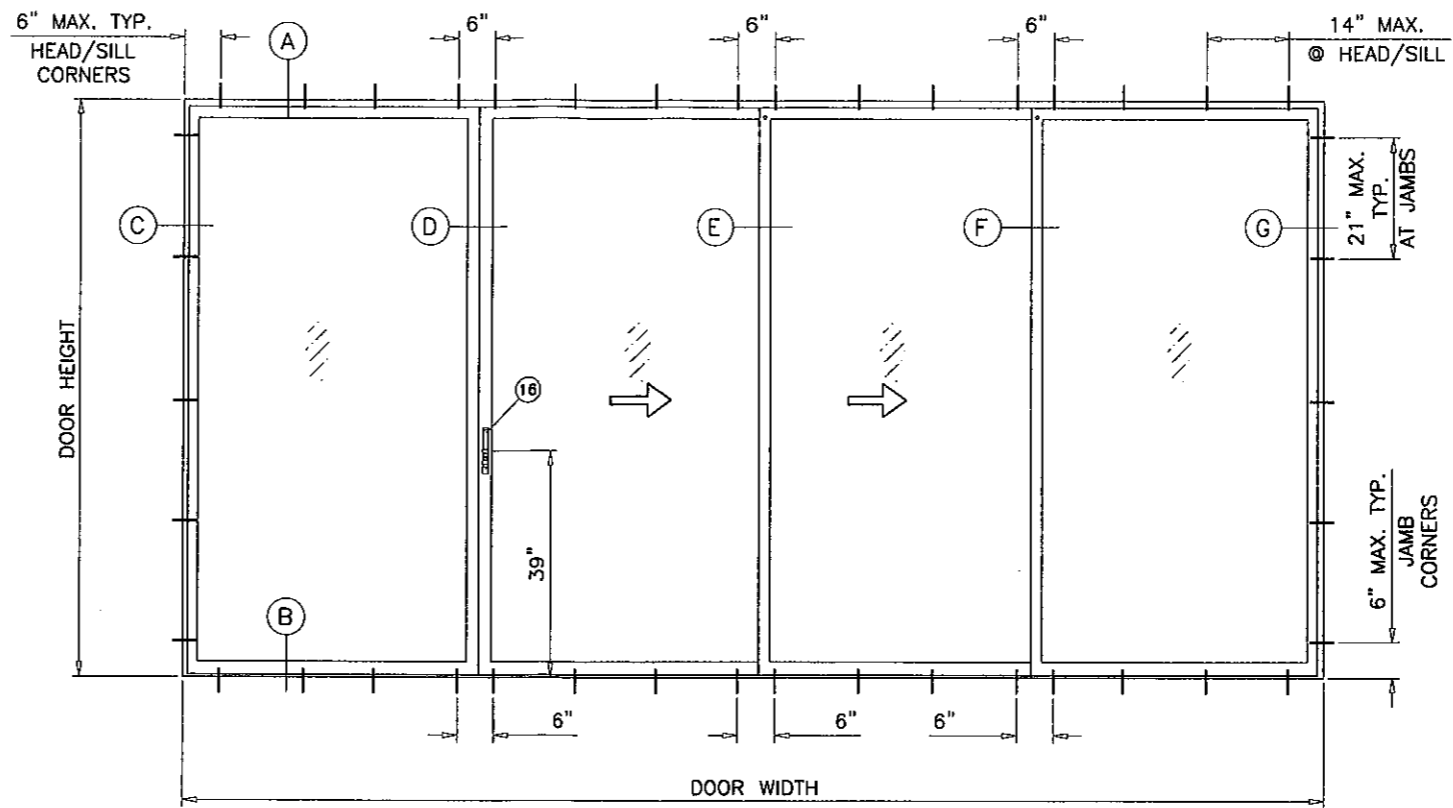
WOOD BUCKS BY OTHERS, MUST BE ANCHORED PROPERLY TO TRANSFER
LOADS TO THE STRUCTURE.

ANCHORS SHALL BE AS LISTED, SPACED AS SHOWN ON DETAILS, ANCHORS
EMBEDMENT TO BASE MATERIAL SHALL BE BEYOND WALL DRESSING OR STUCCO.

ANCHORING OR LOADING CONDITIONS NOT SHOWN IN THESE DETAILS ARE
NOT PART OF THIS APPROVAL.

A LOAD DURATION INCREASE IS USED IN DESIGN OF ANCHORS INTO WOOD ONLY.

MATERIALS INCLUDING BUT NOT LIMITED TO STEEL/METAL SCREWS, THAT COME
INTO CONTACT WITH OTHER DISSIMILAR MATERIALS SHALL MEET THE
REQUIREMENTS OF THE FLORIDA BLDG. CODE SECTION 2003.8.4.



TYPICAL ELEVATION

PRODUCT REVISED
as complying with the Florida
Building Code
Acceptance No. 12-0118-30
Expiration Date July 22, 2016
Shag J. Chaudhry
Manufacture Product Control

**MONOLITHIC GLASS
NON IMPACT**

DOORS NOT RATED FOR IMPACT.
INSTALLATION OF THIS PRODUCT IN THE HVHZ AREA REQUIRES THE
USE OF APPROVED SHUTTERS OR EXTERNAL PROTECTION DEVICES
COMPLYING WITH HVHZ REQUIREMENTS.
INSTALLATION OF THIS SYSTEM OUTSIDE THE HVHZ AREA SHALL MEET
THE APPLICABLE REQUIREMENTS FOR WIND BORNE DEBRIS PROTECTION.

Engr. JAVAD AHMAD
CIVIL
FLA. PE # 76592
C.A.N. 3538
MAR 20 2012

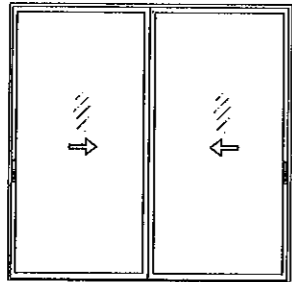
af c
AL-FAROOQ CORPORATION
ENGINEERS & PRODUCT DEVELOPMENT
1235 S.W. 87 AVE
MIAMI, FLORIDA 33174
TEL. (305) 264-8100 FAX (305) 262-6978
COMP-ANL W97-12AWP

SERIES 4000 ALUM SLD. GLASS DOOR (N.I.)
TRULITE WINDOW & DOOR SOLUTIONS, LLC
8130 N.W. 74TH AVE.
MEDLEY, FL. 33166
TEL. (305) 887-2646 FAX (305) 883-1309

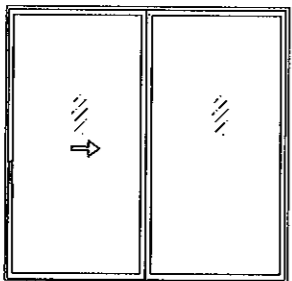
no.	date	description
C	08.02.07	NO CHANGE THIS SHEET
D	02.23.09	UPDATED FOR 2007 FBC
E	05.06.10	MANUF. NAME REVISED
F	12.23.11	UPDATED TO 2010 FBC, NAME REV

date: 07-07-97
scale: 3/8"=1'-0"
dr. by: HAMID
chk. by:

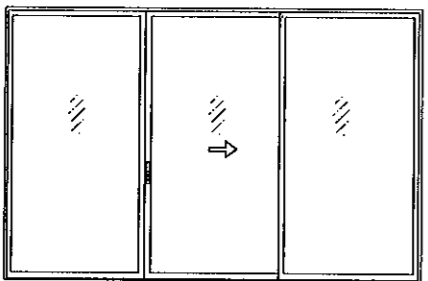
drawing no.
W97-12
sheet 1 of 9



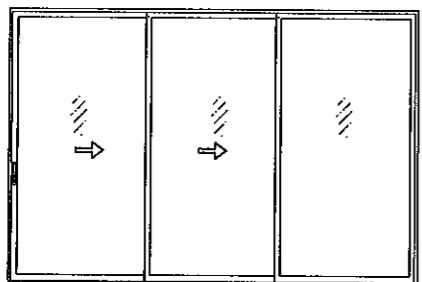
XX



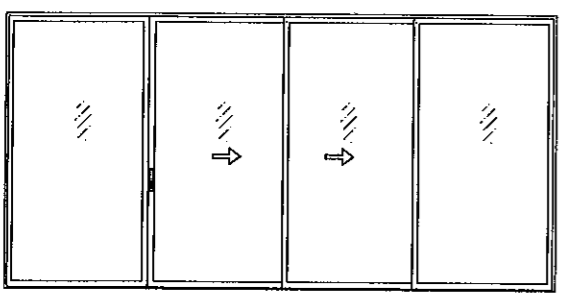
XO (SHOWN)
OX



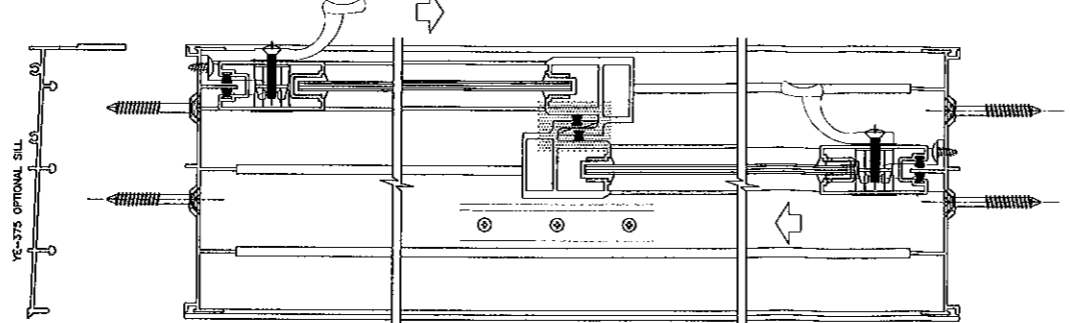
OXO



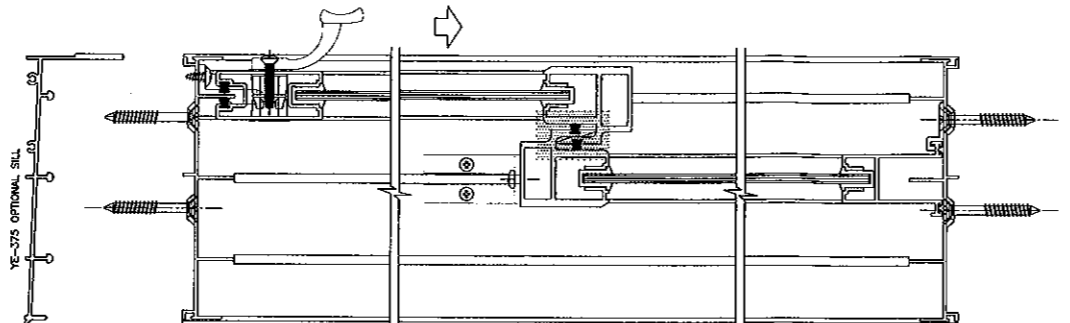
XXO (SHOWN)
OXX



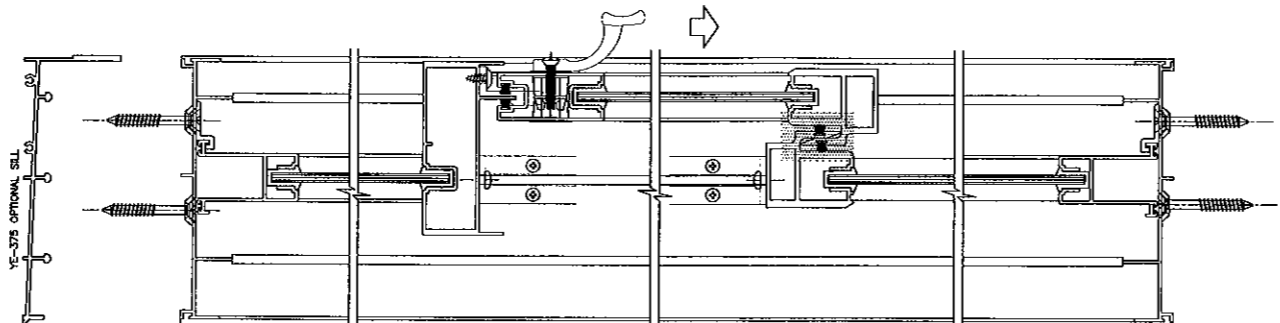
OXXO



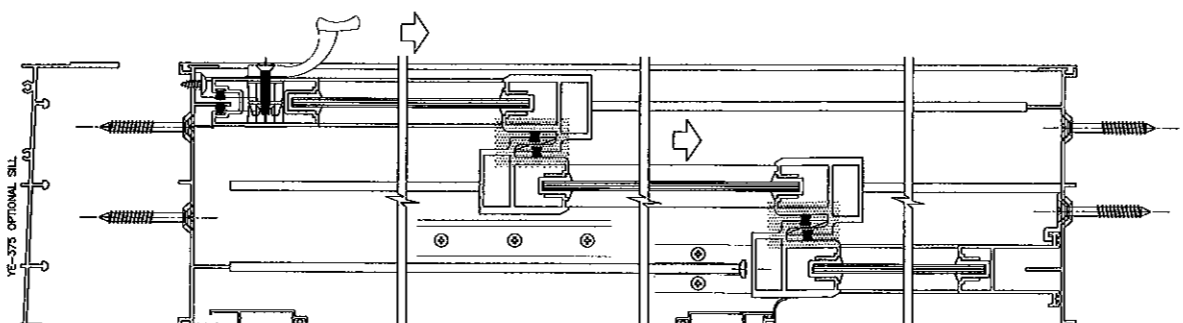
X X



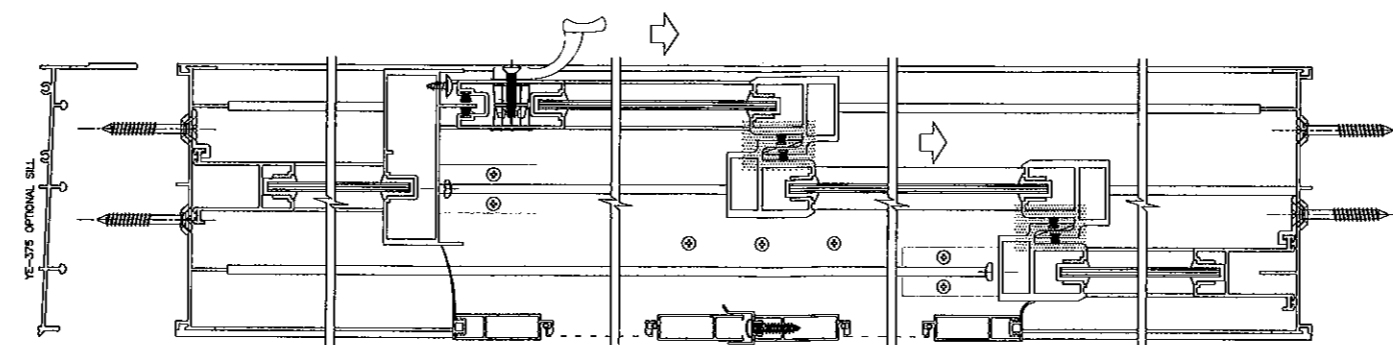
X O



O X O



X X O



O X X O

PRODUCT REVISED
to comply with the Florida
Building Code
Acceptance No. 12-0118.30
Expiration Date 7/22/16
Isaac I. Chayle
Internal Door Product Control

APPROVED CONFIGURATIONS
3 TRACKS

Engr: JAVAD AHMAD
CIVIL
FLA. PE # 70592
C.A.N. 3538
[Signature]
MAR 20 2012

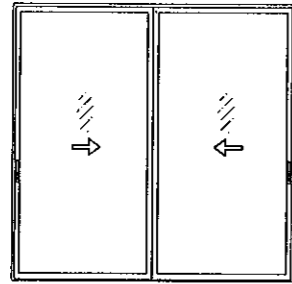
af c
AL-FAROOQ CORPORATION
ENGINEERS & PRODUCT DEVELOPMENT
1235 S.W. 87 AVE
MIAMI, FLORIDA 33174
TEL. (305) 264-8100 FAX. (305) 262-6978
COMP-ANL\W97-12AWP

SERIES 4000 ALUM SLD. GLASS DOOR (N.I.)
TRULITE WINDOW & DOOR SOLUTIONS, LLC
8130 N.W. 74TH AVE.
MEDLEY, FL. 33166
TEL. (305) 887-2646 FAX (305) 883-1309

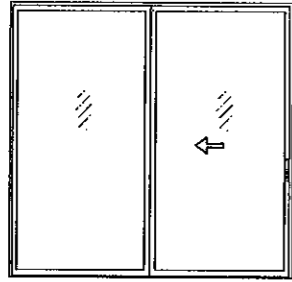
revisions:	no	date	description	by
	C	08.02.07	DTLS. REV.	
	D	02.23.09	UPDATED FOR 2007 FBC	
	E	05.06.10	MANUF. NAME REVISED	
	F	12.23.11	MANUF. NAME REVISED	

date:	07-07-97
scale:	1/2"=1'-0"
dr. by:	HAMID
chk. by:	

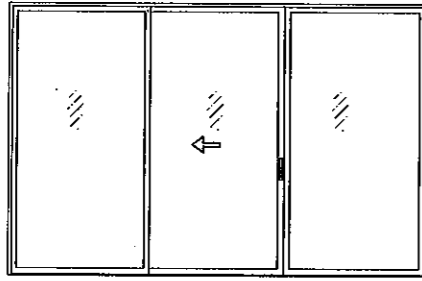
drawing no.	W97-12
sheet 2 of 9	



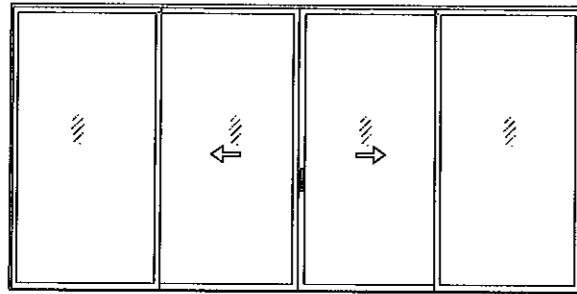
XX



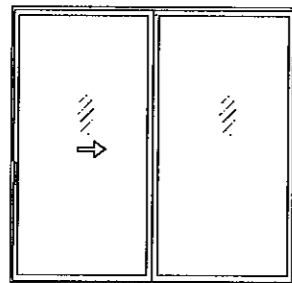
OX (SHOWN)
XO



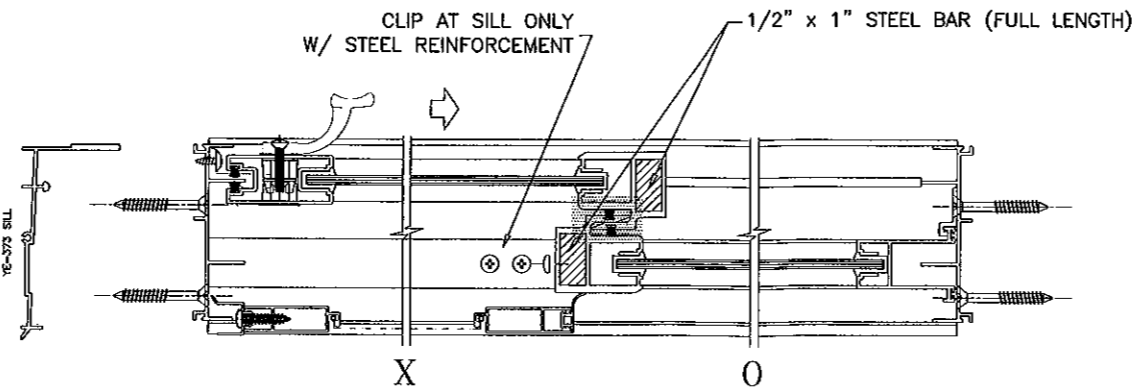
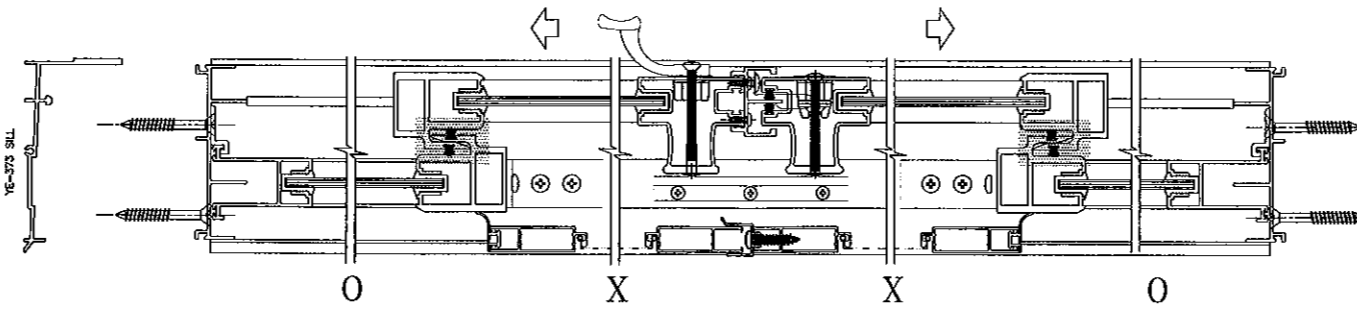
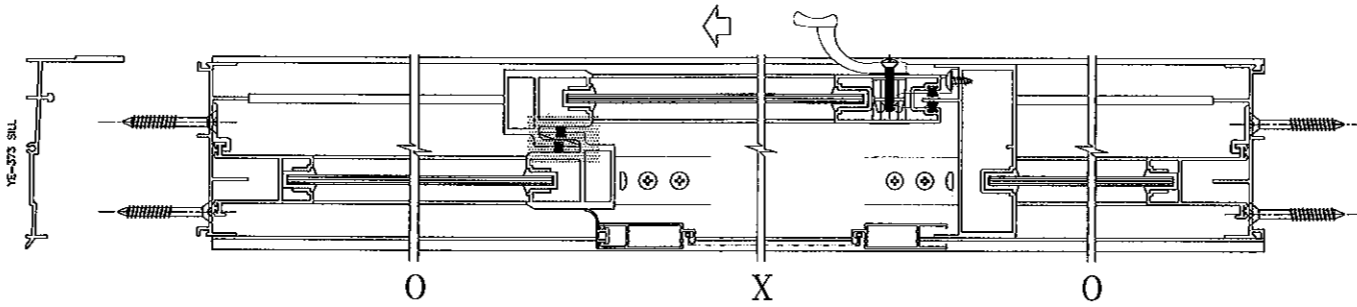
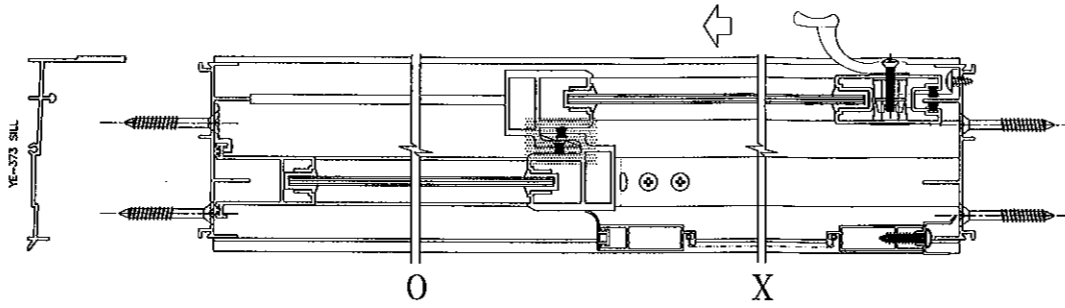
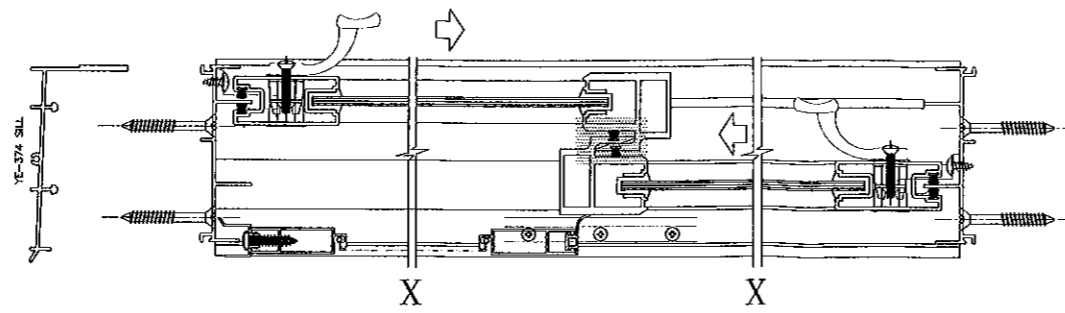
OXO



OXXO



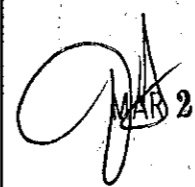
XO (SHOWN)
OX



PRODUCT REVISED
 to comply with the Florida
 Building Code
 Acceptance No. 12-0118-30
 Expiration Date 7/22/16
Khas I. Khan
 Glass Door Product Control

APPROVED CONFIGURATIONS
2 TRACKS
WITHOUT STEEL REINFORCING

APPROVED CONFIGURATIONS
2 TRACKS
WITH STEEL REINFORCING

Engr: JAVAD AHMAD
 CIVIL
 FLA. PE # 70592
 C.A.N. 3538

 MAR 20 2012

afc

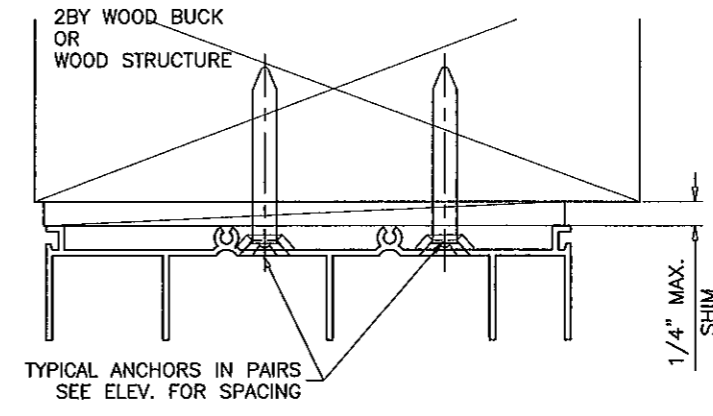
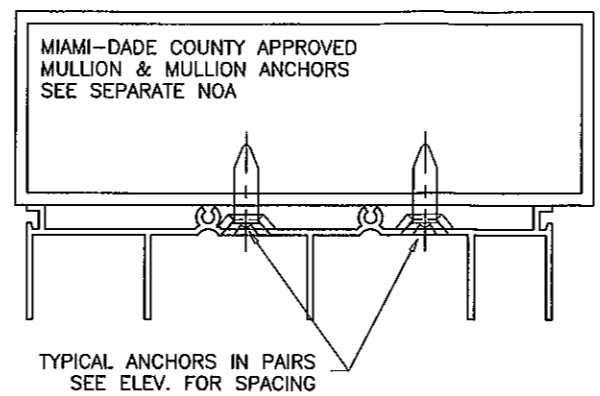
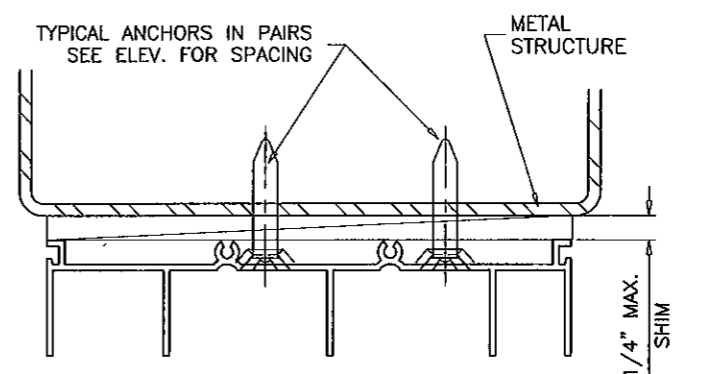
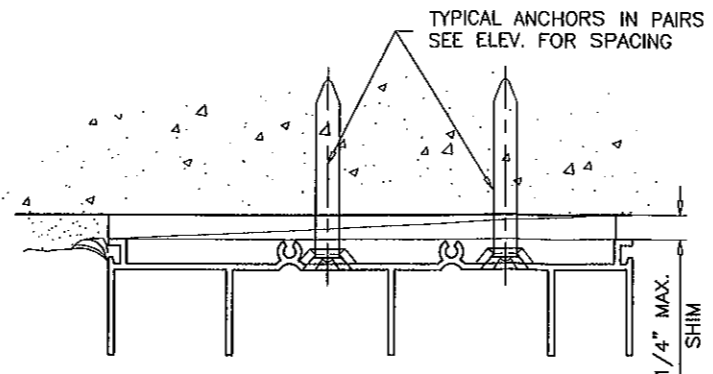
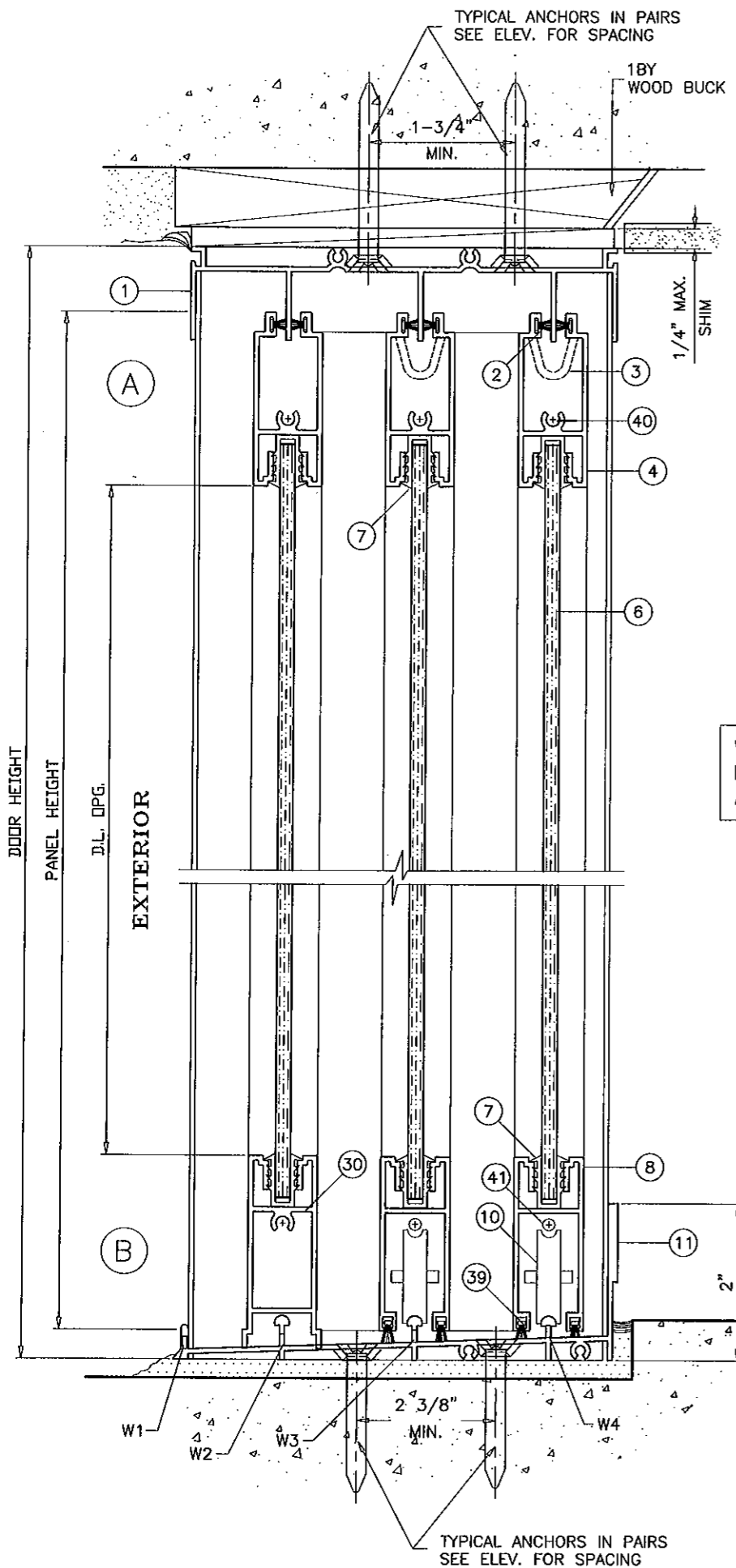
AL-FAROOQ CORPORATION
 ENGINEERS & PRODUCT DEVELOPMENT
 1235 S.W. 87 AVE
 MIAMI, FLORIDA 33174
 TEL. (305) 264-8100 FAX. (305) 262-6978
 COMP-ANL\W97-12AWP

SERIES 4000 ALUM SLD. GLASS DOOR (N.I.)
TRULITE WINDOW & DOOR SOLUTIONS, LLC
 8130 N.W. 74TH AVE.
 MEDLEY, FL. 33166
 TEL. (305) 887-2646 FAX (305) 883-1309

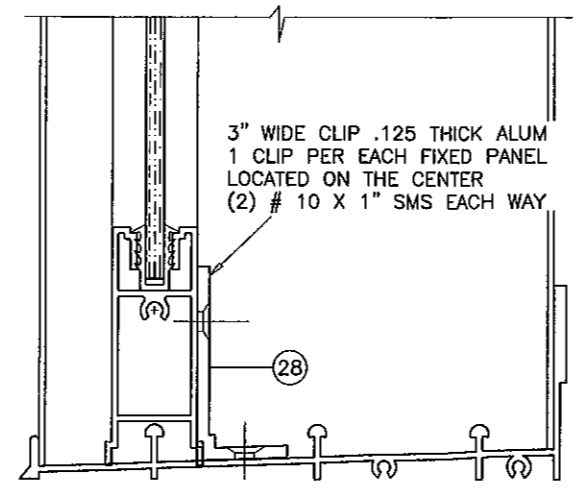
no	date	by	description
C	08.02.07		DTLS. REV.
D	02.23.09		UPDATED FOR 2007 FBC
E	05.06.10		MANUF. NAME REVISED
F	12.23.11		MANUF. NAME REVISED

date:	07-07-97
scale:	1/2"=1'-0"
dr. by:	HAMID
chk. by:	

drawing no.	W97-12
sheet	3 of 9



WOOD BUCKS AND METAL STRUCTURE NOT BY TRULITE MUST SUSTAIN LOADS IMPOSED BY GLAZING SYSTEM AND TRANSFER THEM TO THE BUILDING STRUCTURE.



TYPICAL ANCHORS: SEE ELEV. FOR SPACING
 1/4" DIA. TAPCONS BY 'ITW'
 1/4" DIA. ULTRACON BY 'ELCO' (Fu=177 KSI, Fy=155 KSI)
 INTO 2BY WOOD BUCKS OR WOOD STRUCTURES
 1-3/8" MIN. PENETRATION INTO WOOD
 THRU 1BY BUCKS INTO CONC. OR MASONRY
 1-1/4" MIN. EMBED INTO CONC. OR MASONRY
 DIRECTLY INTO CONC. OR MASONRY
 1-1/4" MIN. EMBED INTO CONC. OR MASONRY

#14 SMS OR SELF DRILLING SCREWS (GRADE 2 CRS)
 INTO METAL STRUCTURES
 STEEL : 12 GA. MIN. (Fy = 36 KSI MIN.)
 ALUMINUM : 1/8" THK. MIN. (6063-T5 MIN.)
 (STEEL IN CONTACT WITH ALUMINUM TO BE PLATED OR PAINTED)

#12 SMS OR SELF DRILLING SCREWS
 INTO MIAMI-DADE COUNTY APPROVED MULLIONS (MIN. THK. = .090")
 (NO SHIM SPACE)

TYPICAL EDGE DISTANCE
 INTO CONCRETE AND MASONRY = 2" MIN.
 INTO WOOD STRUCTURE = 1" MIN.
 INTO METAL STRUCTURE = 1/2" MIN.

CONCRETE f'c = 3000 PSI MIN.
 MASONRY f'm = 2000 PSI MIN.

Engr: JAVAD AHMAD
 CIVIL
 FLA. PE # 70592
 C.A.N. 3538

[Signature]
 MAR 29 2012

af c
AL-FAROOQ CORPORATION
 ENGINEERS & PRODUCT DEVELOPMENT
 1235 S.W. 87 AVE
 MIAMI, FLORIDA 33174
 TEL. (305) 264-8100 FAX. (305) 262-6978
 COMP-ANL\W97-12AWP

SERIES 4000 ALUM SLD. GLASS DOOR (N.I.)
TRULITE WINDOW & DOOR SOLUTIONS, LLC
 8130 N.W. 74TH AVE.
 MEDLEY, FL. 33166
 TEL. (305) 887-2646 FAX (305) 883-1309

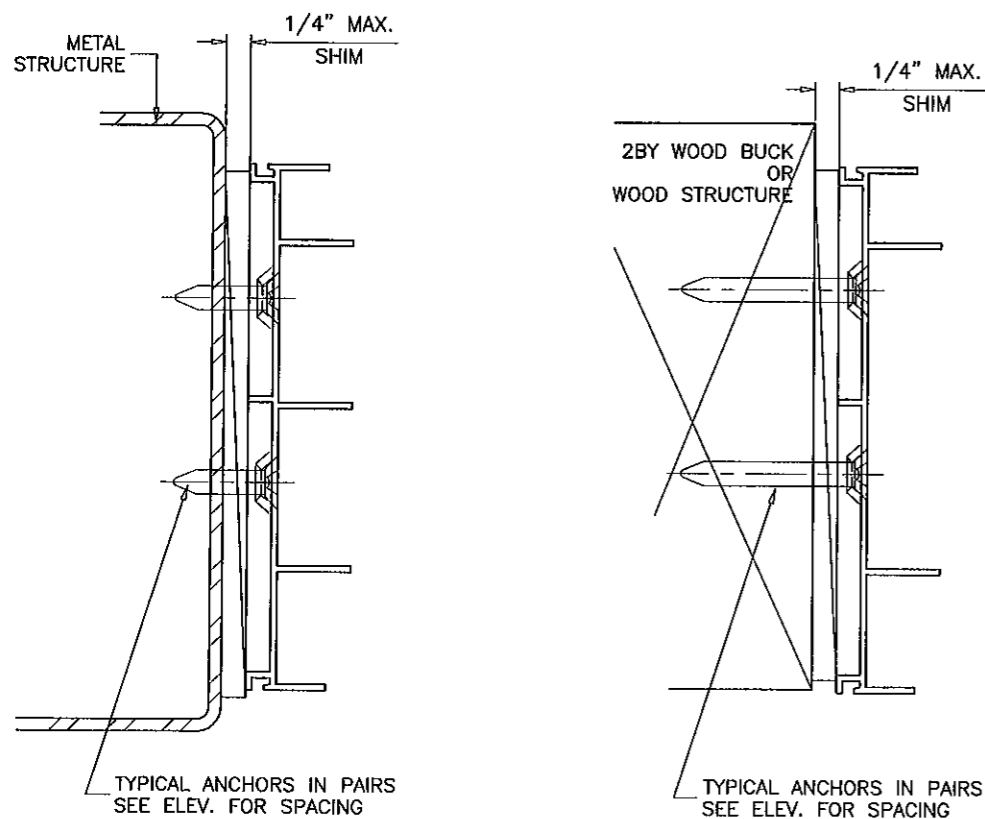
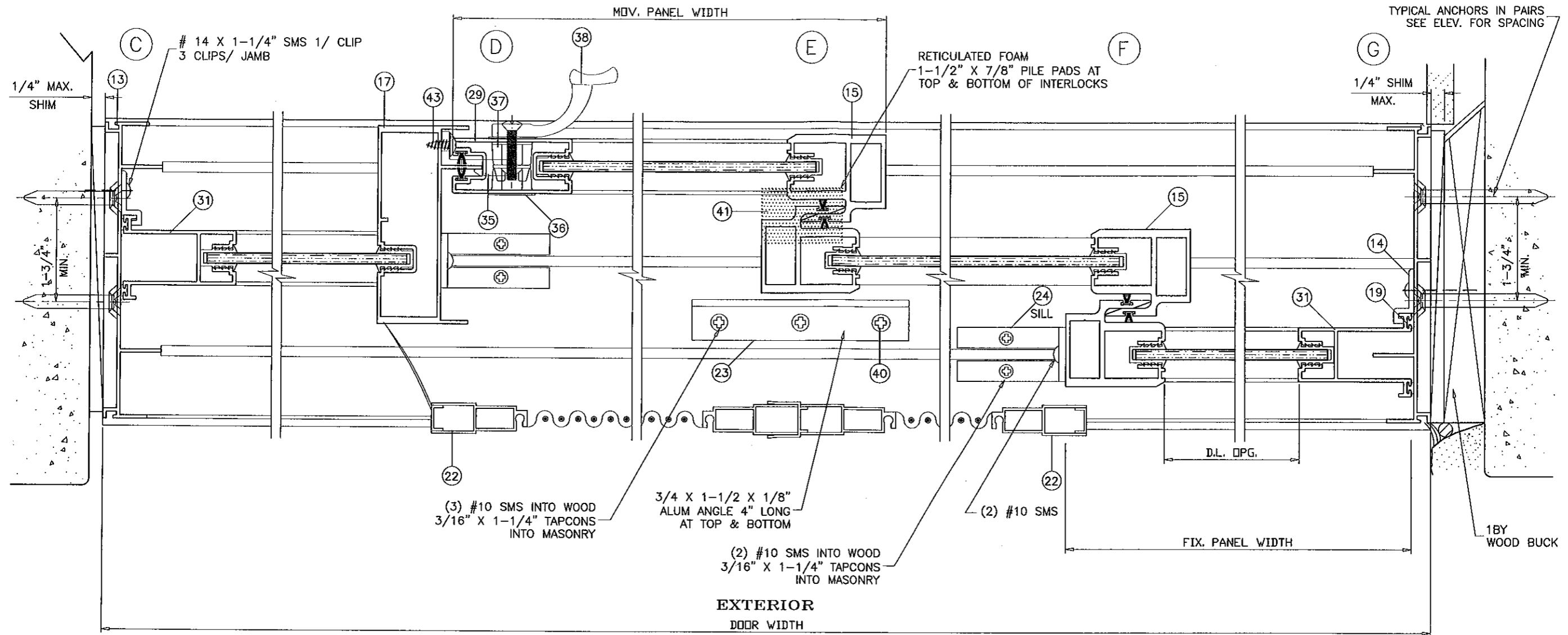
revisions:

no	date	by	description
C	08.02.07	DTLS. REV.	
D	02.23.09	UPDATED FOR 2007 FBC	
E	05.06.10	MANUF. NAME REVISED	
F	12.23.11	MANUF. NAME REVISED	

date: 07-07-97
 scale: 1/2" = 1"
 dr. by: HAMID
 chk. by:

drawing no.
W97-12
 sheet 4 of 9

3 TRACK DOOR DETAILS



3 TRACK DOOR DETAILS

Engr: JAVAD AHMAD
CIVIL
FLA. PE # 70592
C.A.N. 3538

MAR 29 2012

PRODUCT REVISED
as complying with the Florida
Building Code
Acceptance No. 12-0118-30
Expiration Date: 7/22/16
[Signature]
Special Risk Product Control

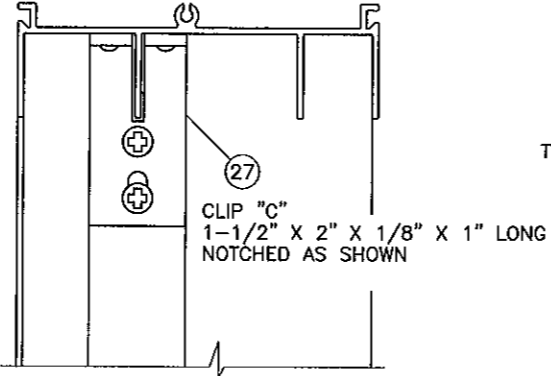
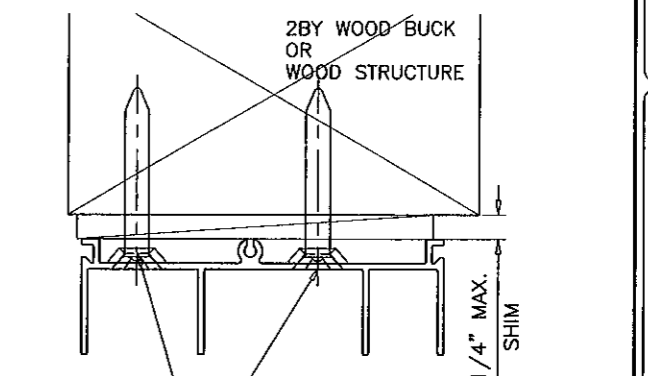
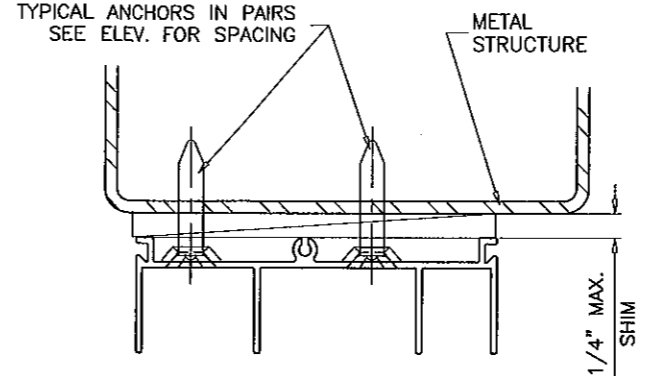
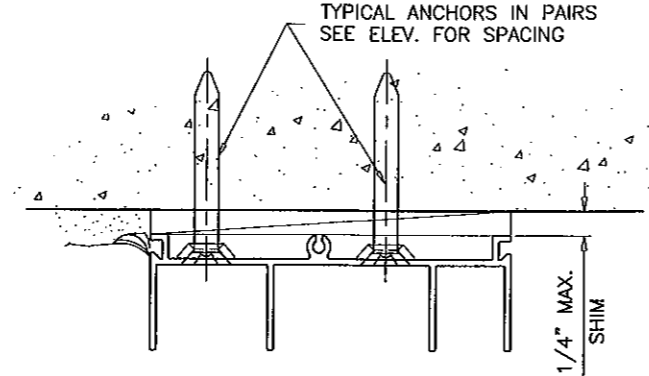
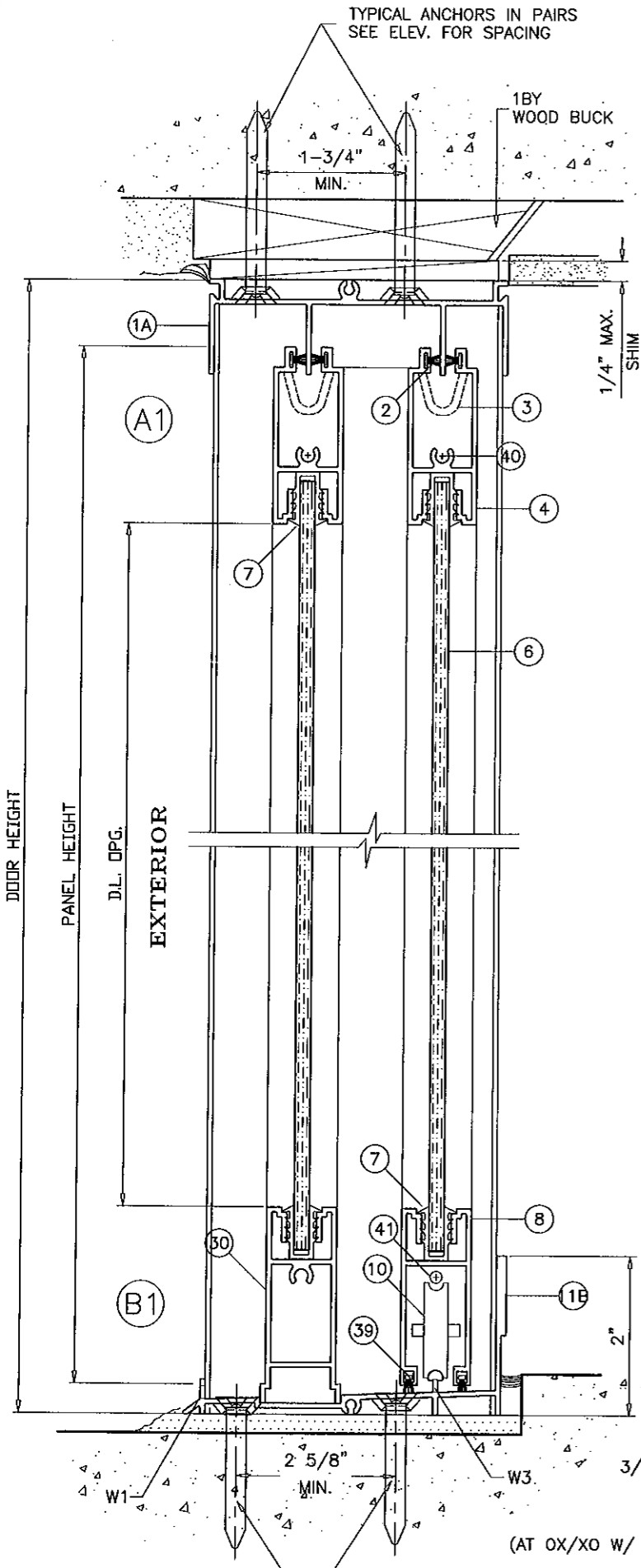
af c
AL-FAROOQ CORPORATION
ENGINEERS & PRODUCT DEVELOPMENT
1235 S.W. 87 AVE
MIAMI, FLORIDA 33174
TEL (305) 264-8100 FAX (305) 262-6978
COMP-ANL\W97-12AWP

SERIES 4000 ALUM SLD. GLASS DOOR (N.I.)
TRULITE WINDOW & DOOR SOLUTIONS, LLC
8130 N.W. 74TH AVE.
MEDLEY, FL. 33166
TEL (305) 887-2646 FAX (305) 883-1309

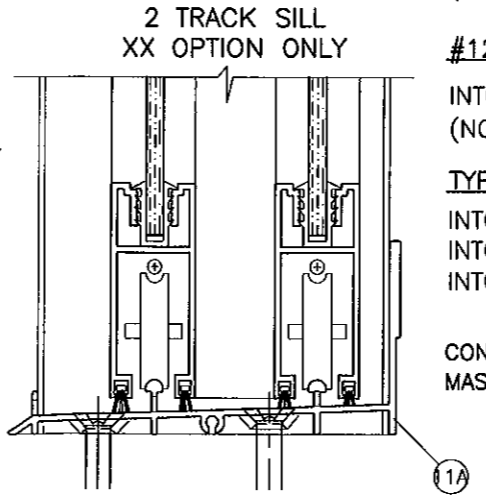
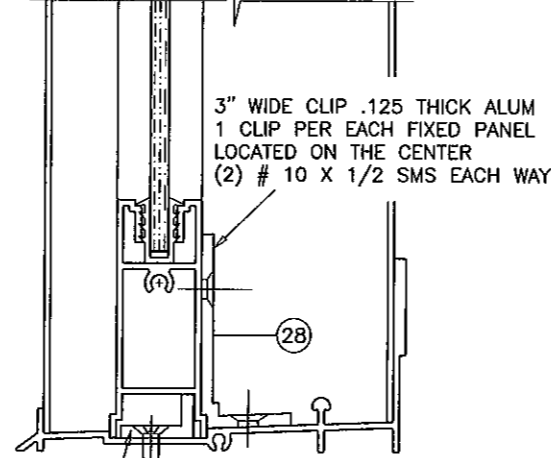
no	date	by	description
C	08.02.07		DTL. REV.
D	02.23.09		UPDATED FOR 2007 FBC
E	05.06.10		MANUF. NAME REVISED
F	12.23.11		MANUF. NAME REVISED

date:	07-07-97
scale:	1/2" = 1"
dr. by:	HAMID
chk. by:	

drawing no.	W97-12
sheet	5 of 9



WOOD BUCKS AND METAL STRUCTURE NOT BY TRULITE MUST SUSTAIN LOADS IMPOSED BY GLAZING SYSTEM AND TRANSFER THEM TO THE BUILDING STRUCTURE.



TYPICAL ANCHORS: SEE ELEV. FOR SPACING
 1/4" DIA. TAPCONS BY 'ITW'
 1/4" DIA. ULTRACON BY 'ELCO' (Fu=177 KSI, Fy=155 KSI)
 INTO 2BY WOOD BUCKS OR WOOD STRUCTURES
 1-3/8" MIN. PENETRATION INTO WOOD
 THRU 1BY BUCKS INTO CONC. OR MASONRY
 1-1/4" MIN. EMBED INTO CONC. OR MASONRY
 DIRECTLY INTO CONC. OR MASONRY
 1-1/4" MIN. EMBED INTO CONC. OR MASONRY
 #14 SMS OR SELF DRILLING SCREWS (GRADE 2 CRS)
 INTO METAL STRUCTURES
 STEEL : 12 GA. MIN. (Fy = 36 KSI MIN.)
 ALUMINUM : 1/8" THK. MIN. (6063-T5 MIN.)
 (STEEL IN CONTACT WITH ALUMINUM TO BE PLATED OR PAINTED)

#12 SMS OR SELF DRILLING SCREWS
 INTO MIAMI-DADE COUNTY APPROVED MULLIONS (MIN. THK. = .090")
 (NO SHIM SPACE)

TYPICAL EDGE DISTANCE
 INTO CONCRETE AND MASONRY = 2" MIN.
 INTO WOOD STRUCTURE = 1" MIN.
 INTO METAL STRUCTURE = 1/2" MIN.

CONCRETE f'c = 3000 PSI MIN.
 MASONRY f'm = 2000 PSI MIN.

PRODUCT REVISED
 as complying with the Florida Building Code
 Acceptance No. 12-0118-30
 Expiration Date 2/22/16
 By: *[Signature]*
 Miami Dade Product Control

Engr: JAVAD AHMAD,
 CIVIL
 FLA. PE # 70592
 C.A.N. 3538
 MAY 29 2012

2 TRACK DOOR DETAILS

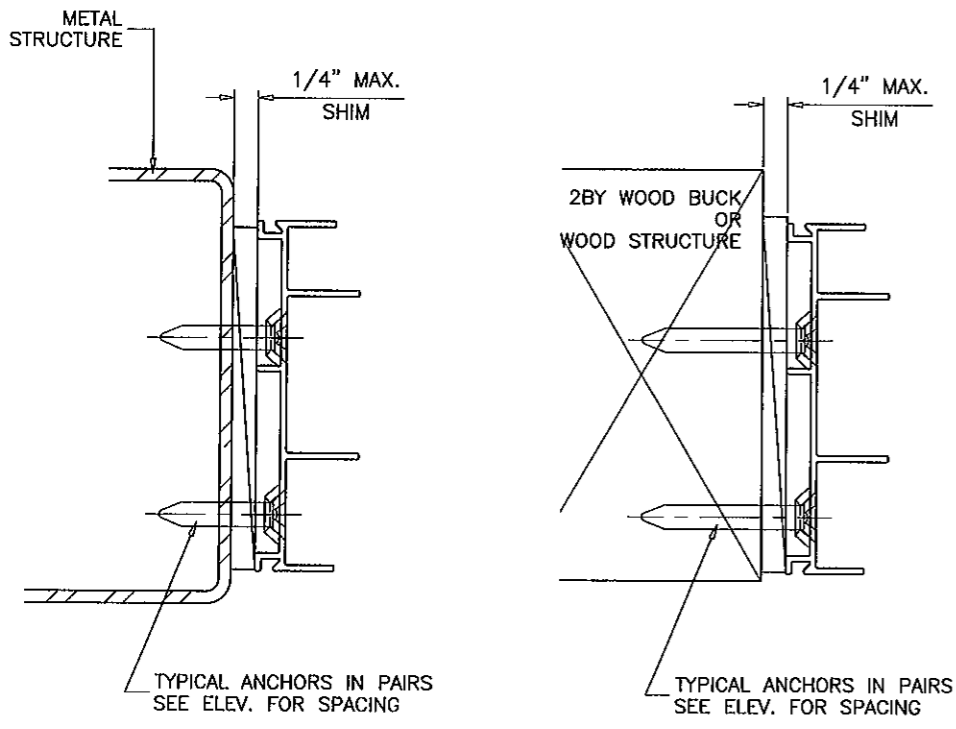
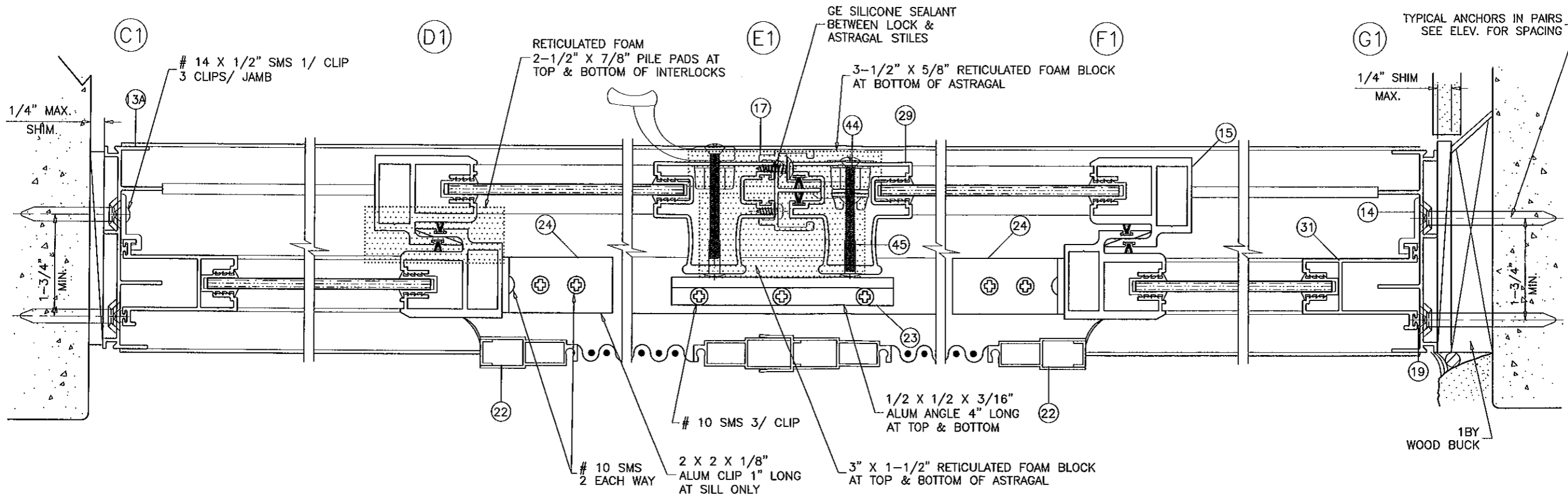
af c
AL-FAROOQ CORPORATION
 ENGINEERS & PRODUCT DEVELOPMENT
 1235 S.W. 87 AVE
 MIAMI, FLORIDA 33174
 TEL. (305) 264-8100 FAX. (305) 262-6978
 COMP-ANL\W97-12AWP

SERIES 4000 ALUM SLD. GLASS DOOR (N.I.)
TRULITE WINDOW & DOOR SOLUTIONS, LLC
 8130 N.W. 74TH AVE.
 MEDLEY, FL. 33166
 TEL. (305) 887-2646 FAX (305) 883-1309

no	date	by	description
C	06.02.07		DTLS. REV.
D	02.23.09		UPDATED FOR 2007 FBC
E	05.06.10		MANUF. NAME REVISED
F	12.23.11		MANUF. NAME REVISED

date: 07-07-97
 scale: 1/2" = 1"
 dr. by: HAMID
 chk. by:

drawing no.
W97-12
 sheet 6 of 9



af c
AL-FAROOQ CORPORATION
 ENGINEERS & PRODUCT DEVELOPMENT
 1235 S.W. 87 AVE
 MIAMI, FLORIDA 33174
 TEL. (305) 264-8100 FAX (305) 262-6978
 COMP-ANL\W97-12AWP

SERIES 4000 ALUM SLD. GLASS DOOR (N.I.)
TRULITE WINDOW & DOOR SOLUTIONS, LLC
 8130 N.W. 74TH AVE.
 MEDLEY, FL. 33166
 TEL. (305) 887-2646 FAX (305) 883-1309

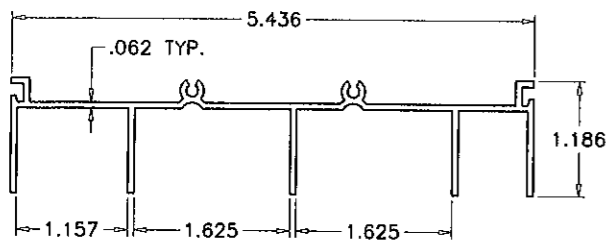
PRODUCT REVISED
 in applying with the Florida
 Building Code
 Acceptance No 12-011K-30
 Expiration Date 7/22/16
 By *Khalid Alkhalid*
 Internal Door Product Control

no	date	by	description
C	08.02.07	DTLS. REV.	
D	02.23.09		UPDATED FOR 2007 FBC
E	05.06.10		MANUF. NAME REVISED
F	12.23.11		MANUF. NAME REVISED

Engr: JAVAD AHMAD
 CIVIL
 FLA. PE # 70592
 C.A.N. 3538

 MAR 20 2012

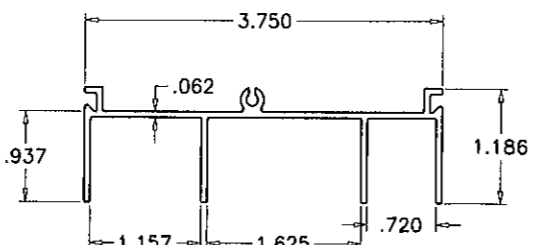
2 TRACK DOOR DETAILS



FRAME HEAD (3 TRACK)

YE-320
6063-T5

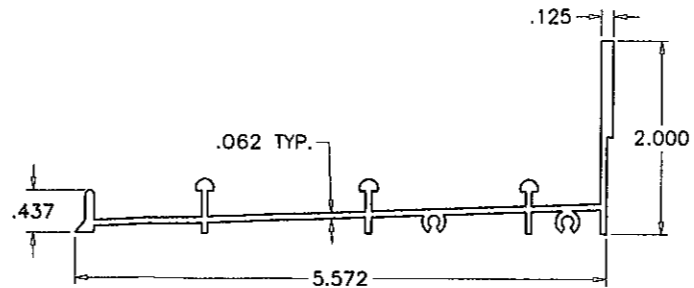
1



FRAME HEAD (2 TRACK)

YE-304
6063-T5

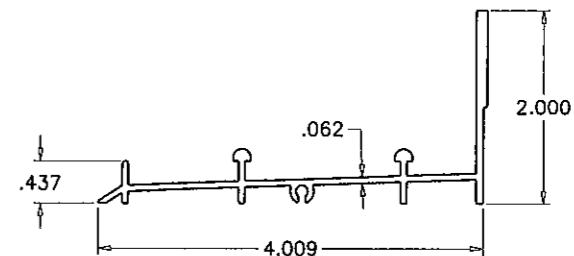
1A



FRAME SILL (3 TRACK)

YE-375
6063-T5

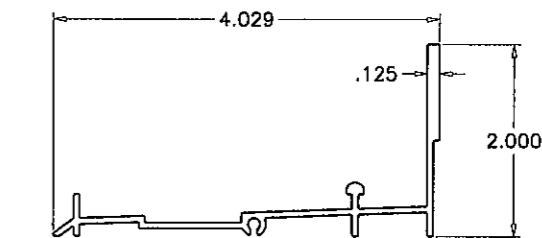
11



FRAME SILL (2 TRACK)

YE-374
6063-T5

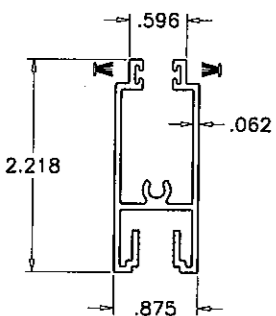
11A



FRAME SILL

YE-373
6063-T5

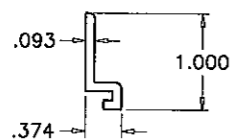
11B



PANEL TOP RAIL

YE-307
6063-T5

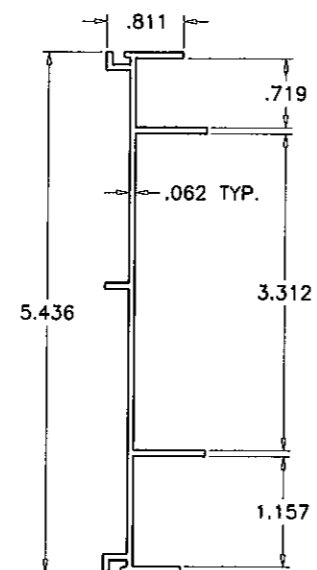
4



FIXED PANEL CLIP

YE-377
6063-T5

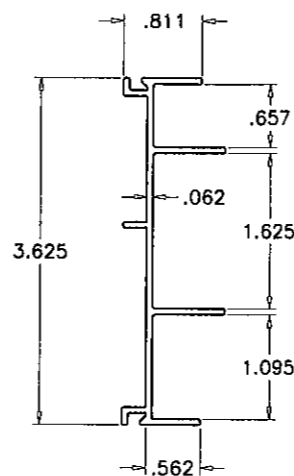
14



FRAME JAMB (3 TRACK)

YE-321
6063-T5

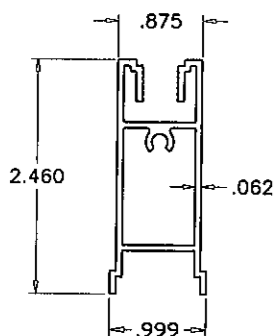
13



FRAME JAMB (2 TRACK)

YE-304
6063-T5

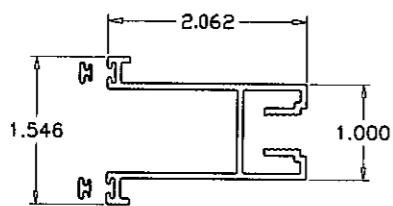
13A



FIXED PANEL BOTTOM RAIL

YE-379
6063-T5

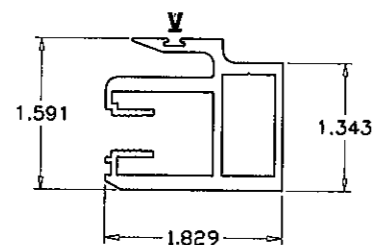
30



FIXED PANEL STILE

YE-302
6063-T5

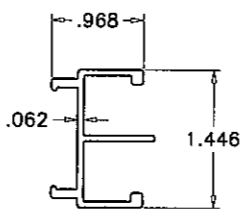
31



PANEL HEAVY INTERLOCK STILE

YE-325
6063-T5

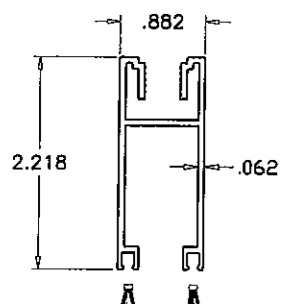
15



ASTRAGAL

YE-355
6063-T5

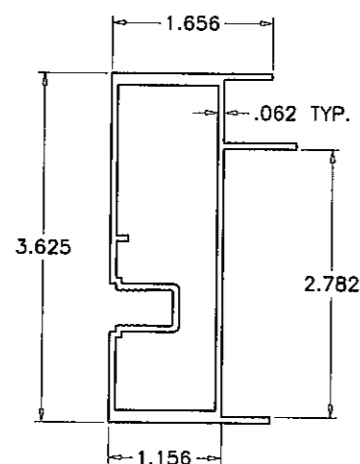
32



MOVING PANEL BOTTOM RAIL

YE-306
6063-T5

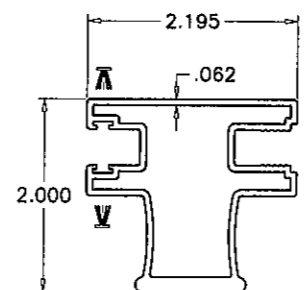
8



PANEL ASTRAGAL STILE

YE-344
6063-T5

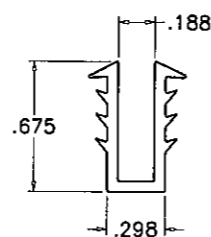
17



PANEL HEAVY LOCKING STILE

YE-380
6063-T5

33

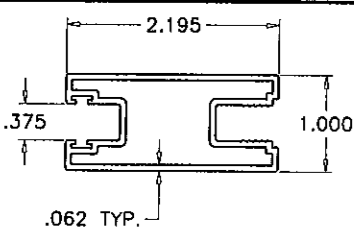


GASKET

YH-4007
PVC
SCALE 1:1

7

HARDNESS = 75±5 SHORE A
TENSILE STRENGTH (BREAK) = 1900 PSI
ELONGATION AT BREAK = 380%
SPECIFIC GRAVITY = 1.39



MOVING PANEL STILE

YE-301
6063-T5

29



AL-FAROOQ CORPORATION
ENGINEERS & PRODUCT DEVELOPMENT
1235 S.W. 87 AVE
MIAMI, FLORIDA 33174
TEL. (305) 264-8100 FAX. (305) 262-6978
COMP-ANL W97-12AMP

SERIES 4000 ALUM SLD. GLASS DOOR (N.I.)
TRULITE WINDOW & DOOR SOLUTIONS, LLC
8130 N.W. 74TH AVE.
MEDLEY, FL. 33166
TEL. (305) 887-2646 FAX (305) 883-1309

no	date	by	description
C	08.02.07		NO CHANGE THIS SHEET
D	02.23.09		UPDATED FOR 2007 FBC
E	05.06.10		MANUF. NAME REVISED
F	12.23.11		MANUF. NAME REVISED

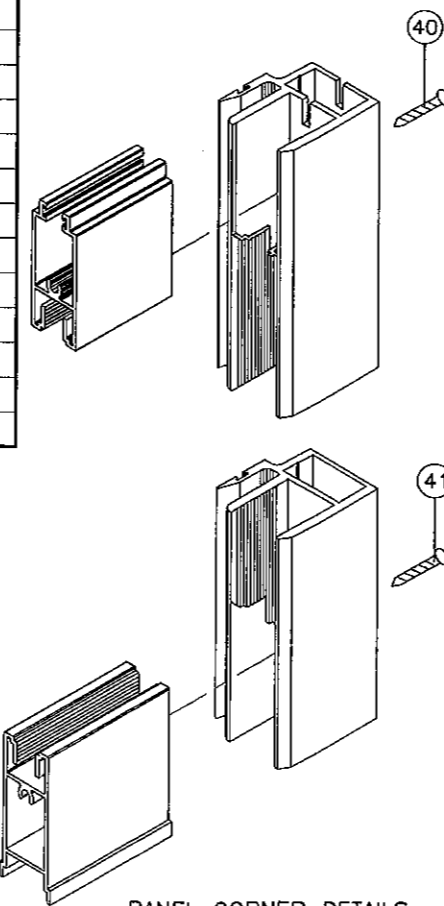
PRODUCT REVISED
as complying with the Florida
Building Code
Acceptance No 12-0118-30
Expiration Date 7/22/16
Ishag I. Chand
Product Control

Engr: JAVAD AHMAD
CIVIL
FLA: PE # 70592
C.A.N. 3538
MAR 20 2012

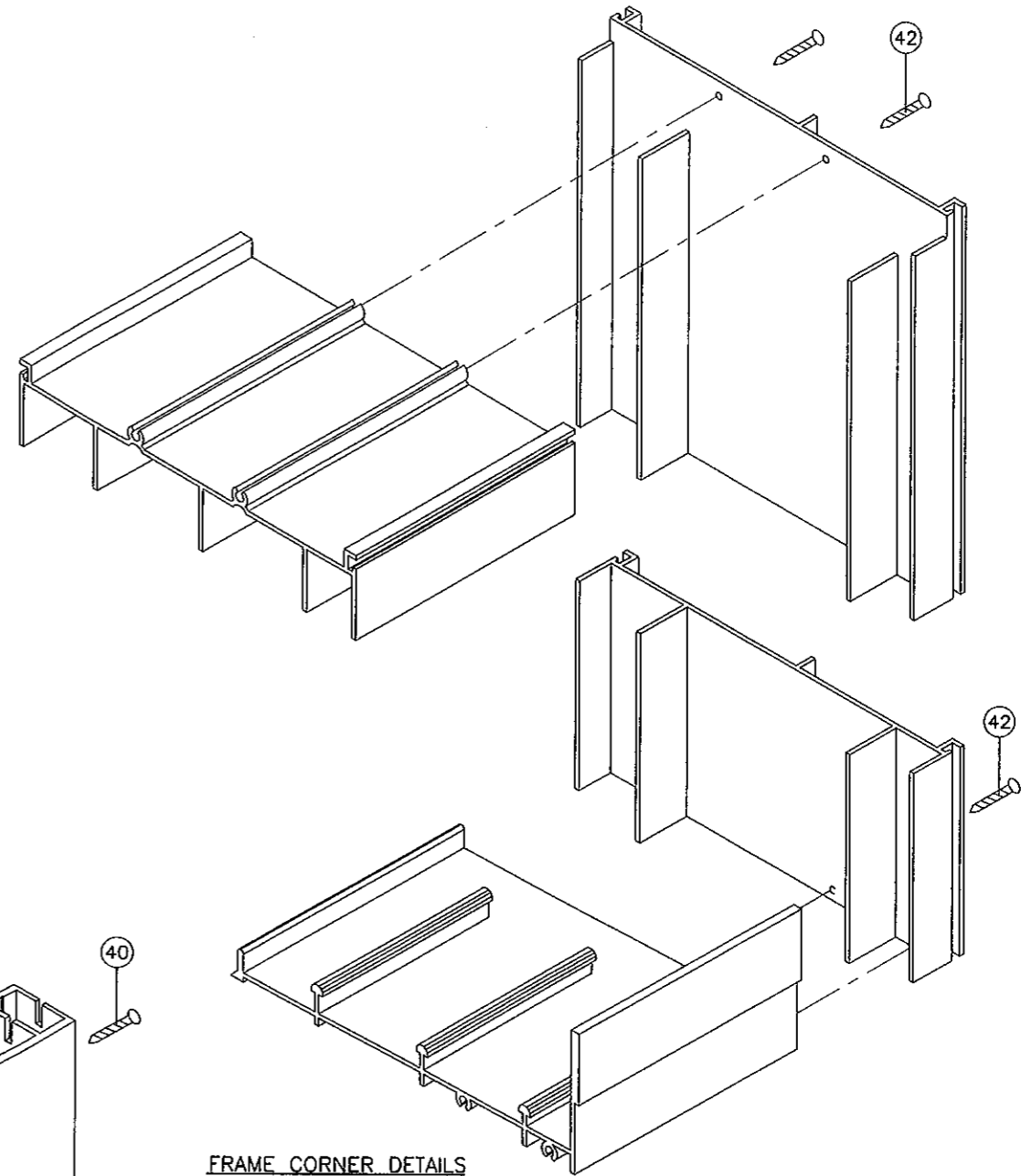
date: 07-07-97
scale: 1/2" = 1"
dr. by: HAMID
chk. by:

drawing no.
W97-12
sheet 8 of 9

ITEM NO.	PART NUMBER	DESCRIPTION	MATERIAL/REMARKS
1	YE-320	FRAME HEAD (3 TRACK)	ALUMINUM (6063-T5)
1A	YE-304	FRAME HEAD (2 TRACK)	ALUMINUM (6063-T5)
2	YH-4004	FIN SEAL W'STRIPPING (.187" X .250)	ULTRAFAB
3	YH-4002	TOP SLIDE GUIDE	NYLON 6/6 SECURITY PLASTICS INC.
4	YE-307	PANEL TOP RAIL	ALUMINUM (6063-T5)
7	YH-4007	VINYL GASKET FOR 3/16" GLASS	MELTPOINT PLASTICS INC. (TEKNOR APEX)
8	YE-306	MOVING PANEL BOTTOM RAIL	ALUMINUM (6063-T5)
9	YF-27A	BOTTOM RAIL ASSY. SCREW	# 10-32 X 7/8" PH. MACH. SCREW
10	YH-4031	ROLLER ASSEMBLY	ALUM HOUSING WITH STEEL WHEEL
11	YE-375	FRAME SILL (3 TRACK)	ALUMINUM (6063-T5)
11A	YE-374	FRAME SILL (2 TRACK)	ALUMINUM (6063-T5)
11B	YE-373	FRAME SILL (2 TRACK)	ALUMINUM (6063-T5)
12	YH-4005	ROLLING PANEL SILL W'STRIPPING	SCHLEGEL SK1004-510 OR EQUIV.
13	YE-321	FRAME JAMB (3 TRACK)	ALUMINUM (6063-T5)
13A	YE-303	FRAME JAMB (2 TRACK)	ALUMINUM (6063-T5)
14	YE-377	FIXED PANEL CLIP (TYPE A)	ALUMINUM 2" LONG, 3/ JAMB
15	YE-325	PANEL HEAVY INTERLOCK STILE	ALUMINUM (6063-T5)
17	YE-344	PANEL HEAVY ASTRAGAL STILE	ALUMINUM (6063-T5)
18	YH-25	ASTRAGAL ASSY SCREW	#8 X 1/2" P.H. SMS
19	YH-4010	FIXED END STILE WEATHERSTRIPPING	CUSTOM PLASTICS 042-1 (VINYL)
22	-	SCREEN	OPTIONAL
23	YH-4053	MOVING PANEL SILL & TRACK CLIP (TYPE B)	ALUMINUM (1/2"x1-1/2"x3/16"x4" LONG)
24	YH-4034	BRACKET TYPE 'B'	ALUMINUM (2"x2"x1/8"x1" LONG)
27	YH-4055	FIXED PANEL UPPER CLIP (TYPE C)	ALUMINUM (2"x2"x1/8"x1" LONG)
28	YH-4054	CENTRAL FIXED PANEL CLIP (TYPE D)	ALUMINUM (2"x7/8"x1/8"x3" LONG)
29	YE-301	PANEL LOCKING STILE	ALUMINUM (6063-T5)
30	YE-379	FIXED PANEL BOTTOM RAIL	ALUMINUM (6063-T5)
31	YE-302	FIXED END STILE	ALUMINUM (6063-T5)
33	YE-355	ASTRAGAL STILE	ALUMINUM (6063-T5)
34	YE-380	PANEL HEAVY LOCKING STILE	ALUMINUM (6063-T5)
35	YH-4003	KEEPER	CAST (ZAMAK)
36	YH-4016	EXT. CONCEALED HANDLE	CAST (ZAMAK)
37	YH-4017	INT. CONCEALED HANDLE W/ KEY LOCK	CAST (ZAMAK)
38	YH-4022	DOOR HANDLE	CAST (ZAMAK)
39	YH-6006	FIN SEAL W'STRIPPING	ULTRAFAB (.115" X .50")
40	YF-2	BOT./TOP FIXED & TOP MOV. PANEL ASSY. SCREWS	#10 X 1" PH SMS
41	YF-17	BOT. MOV. PANEL ASSY./ADJ. WHEEL SCREW	#10-24 X 7/8" PH MS
42	YF-10	FRAME ASSY. SCREWS	#8 X 1" PH SMS
43	YF-18	KEEPER ASSY. SCREWS	#10 X 3/8" TH SMS
44	YF-67SS	HANDLE ASSY. SCREWS	#8-32 X 2" FH SS. MS
45	YF-68SS	CLOSED END HANDLE BINDING POST	ST. STEEL (.200" X 3/4")
46	YH-4013	INTERLOCK/ASTRAGAL TOP & BOTTOM PAD	ULTRAFAB (13/16" X 11/16" X 1-1/2")



PANEL CORNER DETAILS



FRAME CORNER DETAILS

PRODUCT REVISED
 to comply with the Florida
 Building Code
 Acceptance No 12-0118-30
 Expiration Date July 22, 2016
 by *Chang L. Han*
 Manual Build Product Control

Engr: JAVAD AHMAD
 CIVIL
 FLA. PE # 70592
 C.A.N. 3538

 MAR 20 2012

af c
AL-FAROOQ CORPORATION
 ENGINEERS & PRODUCT DEVELOPMENT
 1235 S.W. 87 AVE
 MIAMI, FLORIDA 33174
 TEL. (305) 264-8100 FAX. (305) 262-6978
 COMP-ANL\W97-12AMP

SERIES 4000 ALUM SLD. GLASS DOOR (N.I.)
TRULITE WINDOW & DOOR SOLUTIONS, LLC
 8130 N.W. 74TH AVE.
 MEDLEY, FL. 33166
 TEL (305) 887-2646 FAX (305) 883-1309

no	date	by	description
C	08.02.07	DTLS. REV.	
D	02.23.09	UPDATED FOR 2007 FBC	
E	05.06.10	MANUF. NAME REVISED	
F	12.23.11	MANUF. NAME REVISED	

date: 07-07-97
 scale: 1/2" = 1"
 dr. by: HAMID
 chk. by:

drawing no.
W97-12
 sheet 9 of 9