



DEPARTMENT OF REGULATORY AND ECONOMIC RESOURCES  
BOARD AND CODE ADMINISTRATION DIVISION

MIAMI-DADE COUNTY  
PRODUCT CONTROL SECTION  
11805 SW 26 Street, Room 208  
Miami, Florida 33175-2474  
T (786) 315-2590 F (786) 315-2599

[www.miamidade.gov/economy](http://www.miamidade.gov/economy)

## NOTICE OF ACCEPTANCE (NOA)

**SimTek Fence**  
1330 West 400 North  
Orem, Utah 84057

### SCOPE:

This NOA is being issued under the applicable rules and regulations governing the use of construction materials. The documentation submitted has been reviewed and accepted by Miami-Dade County RER- Product Control Section to be used in Miami Dade County and other areas where allowed by the Authority Having Jurisdiction (AHJ).

This NOA shall not be valid after the expiration date stated below. The Miami-Dade County Product Control Section (In Miami Dade County) and/or the AHJ (in areas other than Miami Dade County) reserve the right to have this product or material tested for quality assurance purposes. If this product or material fails to perform in the accepted manner, the manufacturer will incur the expense of such testing and the AHJ may immediately revoke, modify, or suspend the use of such product or material within their jurisdiction. RER reserves the right to revoke this acceptance, if it is determined by Miami-Dade County Product Control Section that this product or material fails to meet the requirements of the applicable building code.

This product is approved as described herein, and has been designed to comply with the High Velocity Hurricane Zone of the Florida Building Code.

**DESCRIPTION:** Polyethylene Plastic Shell Fence

**APPROVAL DOCUMENT:** Drawing No. 66781, titled " SimTek Fence ", sheets 1 and 2 of 2, prepared by Rick Boyette Consulting, Inc., dated March 04, 2013, signed and sealed by Richard Boyette, P.E., on March 21, 2013, bearing the Miami-Dade County Product Control Approval stamp with the Notice of Acceptance number and the approval date by the Miami-Dade County Product Control Section.

**MISSILE IMPACT RATING:** None

**LABELING:** Each fence section shall bear a permanent label with the manufacturer's name or logo, city, state and the following statement: "Miami-Dade County Product Control Approved", unless otherwise noted herein.

**RENEWAL** of this NOA shall be considered after a renewal application has been filed and there has been no change in the applicable building code negatively affecting the performance of this product.

**TERMINATION** of this NOA will occur after the expiration date or if there has been a revision or change in the materials, use, and/or manufacture of the product or process. Misuse of this NOA as an endorsement of any product, for sales, advertising or any other purposes shall automatically terminate this NOA. Failure to comply with any section of this NOA shall be cause for termination and removal of NOA.

**ADVERTISEMENT:** The NOA number preceded by the words Miami-Dade County, Florida, and followed by the expiration date may be displayed in advertising literature. If any portion of the NOA is displayed, then it shall be done in its entirety.

**INSPECTION:** A copy of this entire NOA shall be provided to the user by the manufacturer or its distributors and shall be available for inspection at the job site at the request of the Building Official.

This NOA consists of this page 1, evidence submitted page E-1 as well as approval document mentioned above. The submitted documentation was reviewed by **Helmy A. Makar, P.E., M.S.**



*Helmy A. Makar*  
04/04/2013

NOA No. 12-0125.02  
Expiration Date: 04/04/2018  
Approval Date: 04/04/2013

**SimTek Fence**

**NOTICE OF ACCEPTANCE: EVIDENCE SUBMITTED**

**A. DRAWINGS**

1. *Drawing No. 66781, titled " SimTek Fence ", sheets 1 and 2 of 2, prepared by Rick Boyette Consulting, Inc., dated March 04, 2013, signed and sealed by Richard Boyette, P.E., on March 21, 2013.*

**B. TESTS**

1. *Test report on Uniform Static Air Pressure Test, prepared by Architectural Testing, Report # 72820.03-119-18, dated January 28, 2008, signed and sealed by Joseph A. Reed, P.E.*

**C. CALCULATIONS**

1. *Calculation based on FBC 2010, 4 pages, dated July 12, 2012, signed and sealed by Richard Boyette, P.E.*

**D. QUALITY ASSURANCE**

1. *By Miami-Dade County Department of Regulatory and Economic Resources.*

**E. MATERIAL CERTIFICATIONS**

1. *Manufacturer Specification Drawings.*
2. *Accelerated Weathering and tensile test (ASTM D 638), Self Ignition test (ASTM D 1929), Smoke Density test (ASTM D 2843), and Rate of Burn (ASTM D 635) prepared by Architectural Testing, Report # 72820.03-119-18, dated January 28, 2008, signed and sealed by Joseph A. Reed, P.E.*

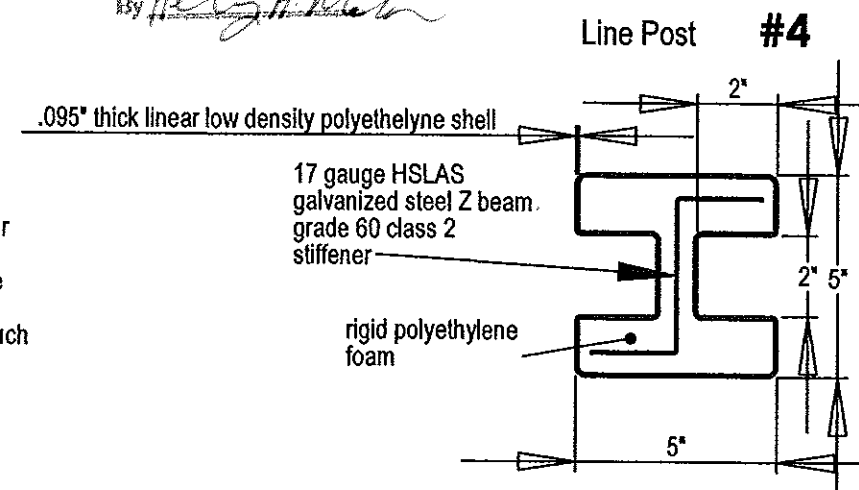
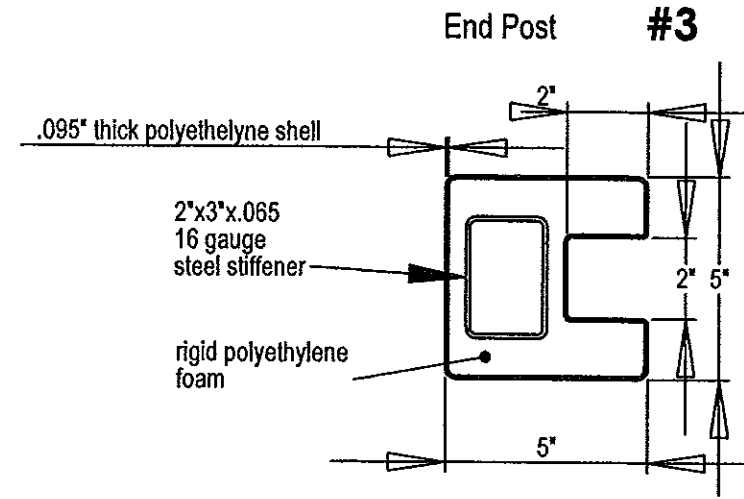
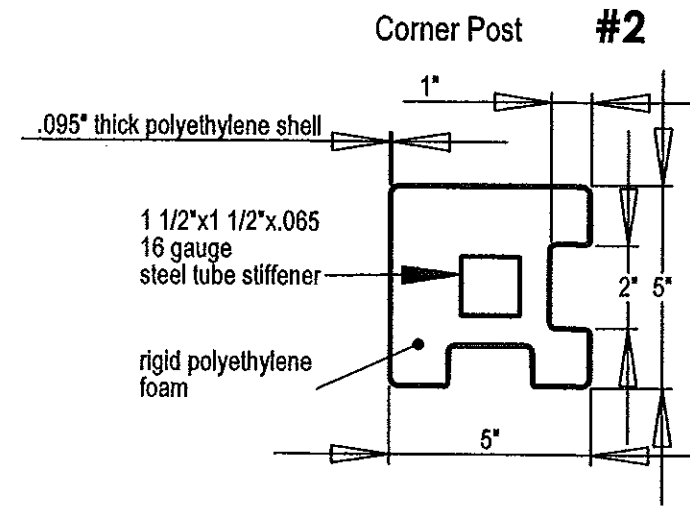
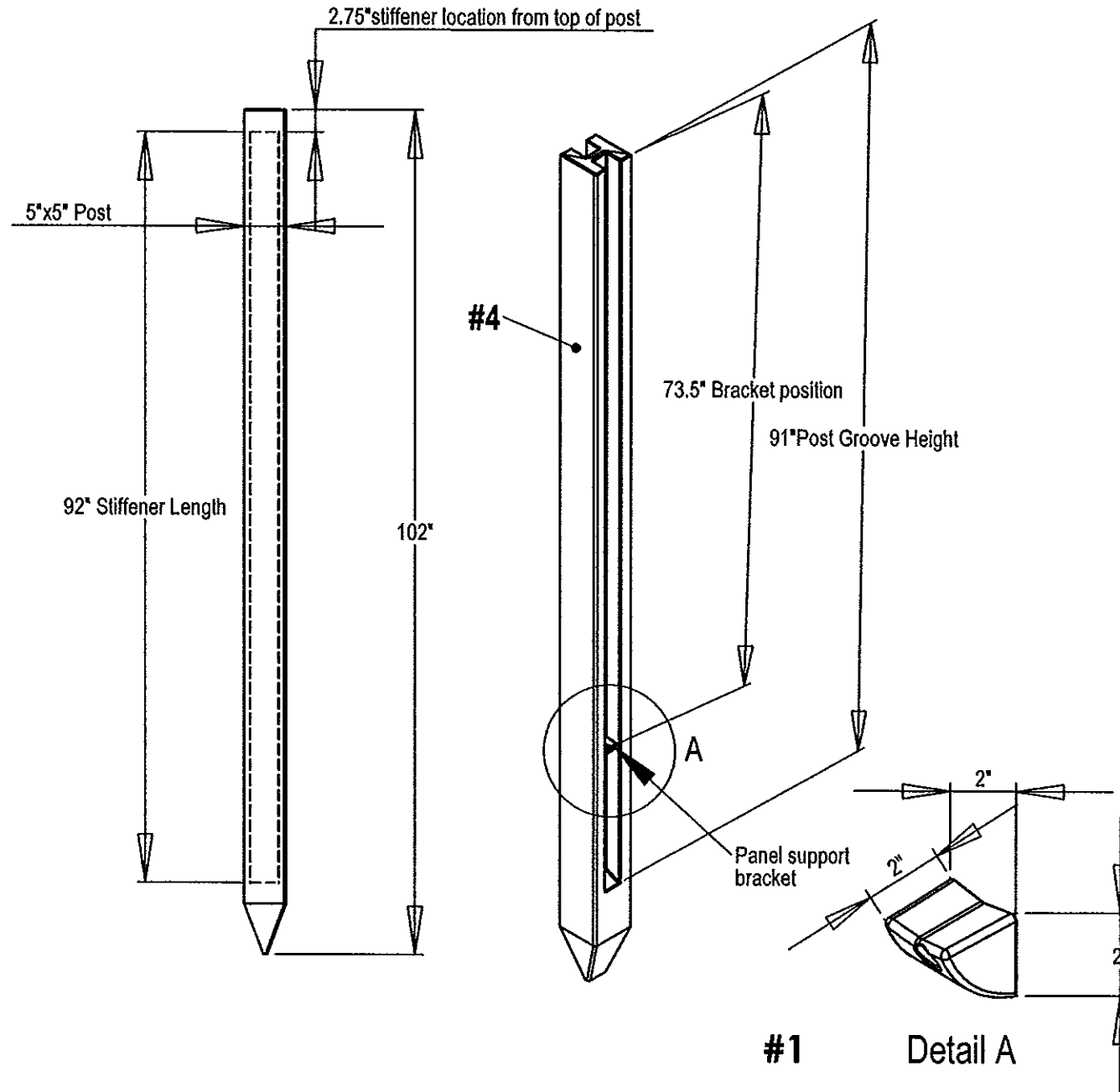


**Helmy A. Makar, P.E., M.S.**  
**Product Control Unit Supervisor**  
**NOA No. 12-0125.02**  
**Expiration Date: 04/04/2018**  
**Approval Date: 04/04/2013**



# SimTek Fence post drawing

All Simtek posts are made with linear low density polyethylene (LLDPE) shell



Approved as complying with the Florida Building Code  
 Date 04/04/2013  
 NOA# 12-0125-02  
 Miami Dade Product Control  
 By *Herby A. Miller*

- polyethylene copolymer shell.
- triangulated shape for improved load distribution.
- panel support brackets must be used under both sides of every panel.
- zinc plated 1 1/2" #10 hex screws to insure proper engagement with post.
- the post and brackets are to be installed such that each panel is level.

Design 2010 FBC 1615.2.1  
 Based on wind loads per ASCE 7-10 and the following criteria:  
 V=115mph (3 second gust),  
 (75 mph sustained winds)

DWG. # 66781  
 sheet 2 of 2

6 FOOT SIMTEK PRIVACY FENCE			
ITEM NO.	PART DESCRIPTION	WEIGHT	LENGTH
1	PANEL SUPPORT BRACKET		
2	CORNER POST	30 LBS.	102"
3	END POST	30 LBS.	102"
4	LINE POST	30 LBS.	102"

Simtek Fence  
 1330 West 400 North  
 Orem, Utah 84057  
 801-655-5236

This drawing may not be altered or reproduced without the permission of SimTek Fence

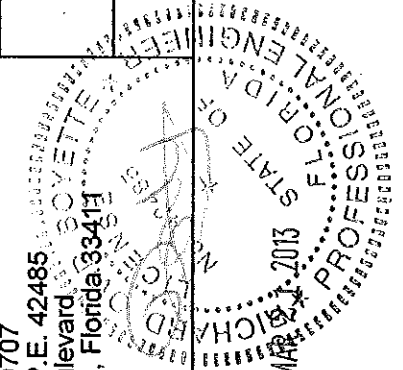
REV: RM 3/4/2013

Scale: not to scale

U.S. Patents: 7,478 / 7,635, 114 Foreign Patents Pending

Rick Boyette Consulting, Inc  
 CoA#9707

Richard Boyette, P.E. 42485  
 4031 Coconut Boulevard  
 Royal Palm Beach, Florida 33411  
 (561) 790-5766



APPROVED MAR 27 2013