



DEPARTMENT OF PERMITTING, ENVIRONMENT, AND REGULATORY
AFFAIRS (PERA)
BOARD AND CODE ADMINISTRATION DIVISION

MIAMI-DADE COUNTY
PRODUCT CONTROL SECTION
11805 SW 26 Street, Room 208
Miami, Florida 33175-2474
T (786) 315-2590 F (786) 315-2599
www.miamidade.gov/pera

NOTICE OF ACCEPTANCE (NOA)

SIW Impact Windows, LLC
975 S. Congress Avenue, # 102
Delray Beach, FL 33445

SCOPE:

This NOA is being issued under the applicable rules and regulations governing the use of construction materials. The documentation submitted has been reviewed and accepted by Miami-Dade County PERA - Product Control Section to be used in Miami Dade County and other areas where allowed by the Authority Having Jurisdiction (AHJ).

This NOA shall not be valid after the expiration date stated below. The Miami-Dade County Product Control Section (In Miami Dade County) and/or the AHJ (in areas other than Miami Dade County) reserve the right to have this product or material tested for quality assurance purposes. If this product or material fails to perform in the accepted manner, the manufacturer will incur the expense of such testing and the AHJ may immediately revoke, modify, or suspend the use of such product or material within their jurisdiction. PERA reserves the right to revoke this acceptance, if it is determined by Miami-Dade County Product Control Section that this product or material fails to meet the requirements of the applicable building code.

This product is approved as described herein, and has been designed to comply with the Florida Building Code, including the High Velocity Hurricane Zone.

DESCRIPTION: Series "200 StormSafe" Aluminum Horizontal Sliding Window – L.M.I.

APPROVAL DOCUMENT: Drawing No. W07-28, titled "S-200 StormSafe Alum Horiz Rolling Wdw (L.M.I.)", sheets 1 through 8 of 8, dated 04/24/07, with revision C dated 01/17/12, prepared by Al-Farooq Corporation, signed, sealed by Javad Ahmad, P. E., bearing the Miami-Dade County Product Control Revision stamp with the Notice of Acceptance number and expiration date by the Miami-Dade County Product Control Section.

MISSILE IMPACT RATING: Large and Small Missile Impact Resistant

LABELING: Each unit shall bear a permanent label with the manufacturer's name or logo, city, state, model/series, and following statement: "Miami-Dade County Product Control Approved", unless otherwise noted herein.

RENEWAL of this NOA shall be considered after a renewal application has been filed and there has been no change in the applicable building code negatively affecting the performance of this product.

TERMINATION of this NOA will occur after the expiration date or if there has been a revision or change in the materials, use, and/or manufacture of the product or process. Misuse of this NOA as an endorsement of any product, for sales, advertising or any other purposes shall automatically terminate this NOA. Failure to comply with any section of this NOA shall be cause for termination and removal of NOA.

ADVERTISEMENT: The NOA number preceded by the words Miami-Dade County, Florida, and followed by the expiration date may be displayed in advertising literature. If any portion of the NOA is displayed, then it shall be done in its entirety.

INSPECTION: A copy of this entire NOA shall be provided to the user by the manufacturer or its distributors and shall be available for inspection at the job site at the request of the Building Official.

This NOA revises and renews NOA # 10-0121.11 and consists of this page 1 and evidence pages E-1 and E-2, as well as approval document mentioned above.

The submitted documentation was reviewed by Manuel Perez, P.E.



MP
7/4/16/12

NOA No. 12-0221.07
Expiration Date: August 01, 2017
Approval Date: April 26, 2012
Page 1

SIW Impact Windows, LLC.

NOTICE OF ACCEPTANCE: EVIDENCE SUBMITTED

A. DRAWINGS

1. Manufacturer's die drawings and sections.
2. Drawing No. **W07-28**, titled "S-200 StormSafe Alum Horiz. Rolling Wdw. (L.M.I.)", sheets 1 through 8 of 8, dated 04/24/07, with revision C dated 01/17/12, prepared by Al-Farooq Corporation, signed and sealed by Javad Ahmad, P.E.

B. TESTS

1. Test reports on: 1) Air Infiltration Test, per FBC, TAS 202-94
2) Uniform Static Air Pressure Test, Loading per FBC TAS 202-94
3) Water Resistance Test, per FBC, TAS 202-94
4) Forced Entry Test, per FBC 2411 3.2.1, TAS 202-94
along with marked-up drawings and installation diagram of a series 200 aluminum horizontal rolling window, prepared by Hurricane Engineering & Testing, Inc., Test Reports No. **HETI-06-4085, HETI-06-4086, HETI-06-4087, HETI-06-4094** and **HETI-06-4179**, dated 02/26/07 and 07/25/07, all signed and sealed by Rafael E. Droz-Seda, P. E.

(Submitted under previous NOA's No. 07-0511.10 and 07-0813.05)

2. Test reports on: 1) Large Missile Impact Test per FBC, TAS 201-94
2) Cyclic Wind Pressure Loading per FBC, TAS 203-94
along with marked-up drawings and installation diagram of a series 200 aluminum horizontal rolling window, prepared by Hurricane Engineering & Testing, Inc., Test Reports No. **HETI-06-4089, HETI-06-4090, HETI-06-4092, HETI-06-4095, HETI-07-4126** and **HETI-07-4282**, dated 02/26/07 and 07/25/07, all signed and sealed by Rafael E. Droz-Seda, P. E.

(Submitted under previous NOA's No. 07-0511.10 and 07-0813.05)

C. CALCULATIONS


1. Anchor verification calculations and structural analysis, complying with FBC-2007, dated 12/15/09 and revised on 01/06/12, prepared by Al-Farooq Corporation, signed and sealed by Javad Ahmad, P. E.

(Submitted partially under previous NOA#10-0121.11)

2. Glazing complies with ASTM E1300-04

D. QUALITY ASSURANCE

1. Miami-Dade Department of Permitting, Environment, and Regulatory Affairs (PERA)


Manuel Perez, P.E.
Product Control Examiner
NOA No. 12-0221.07
Expiration Date: August 01, 2017
Approval Date: April 26, 2012

NOTICE OF ACCEPTANCE: EVIDENCE SUBMITTED

E. MATERIAL CERTIFICATIONS

1. Notice of Acceptance No. **11-0624.02** issued to **E.I. DuPont DeNemours & Co., Inc.** for their "**DuPont SentryGlas® Interlayer**" dated 08/25/11, expiring on 01/14/17.
2. Notice of Acceptance No. **11-0624.01** issued to **E.I. DuPont DeNemours & Co., Inc.** for their "**DuPont Butacite® PVB Interlayer**" dated 09/08/11, expiring on 12/11/16.
3. Notice of Acceptance No. **11-0325.05** issued to Solutia, Inc. for their "**Saflex and Vanceva clear and color interlayers**" dated 05/05/11, expiring on 05/21/16

F. STATEMENTS

1. Statement letter of conformance, complying with FBC-2010, and of no financial interest, dated December 30, 2011, prepared by Al-Farooq Corporation, signed and sealed by Javad Ahmad, P.E.
2. Laboratory compliance letter for Test Reports No. **HETI-06-4085, HETI-06-4086, HETI-06-4087, HETI-06-4089, HETI-06-4090, HETI-06-4092, HETI-06-4094, HETI-06-4095, HETI-06-4179, HETI-07-4126** and **HETI-07-4282**, issued by Hurricane Engineering & Testing, Inc., dated 02/26/07 and 07/25/07, all signed and sealed by Rafael E. Droz-Seda, P. E.
(Submitted under previous NOA's No. 07-0511.10 and 07-0813.05)

G. OTHER

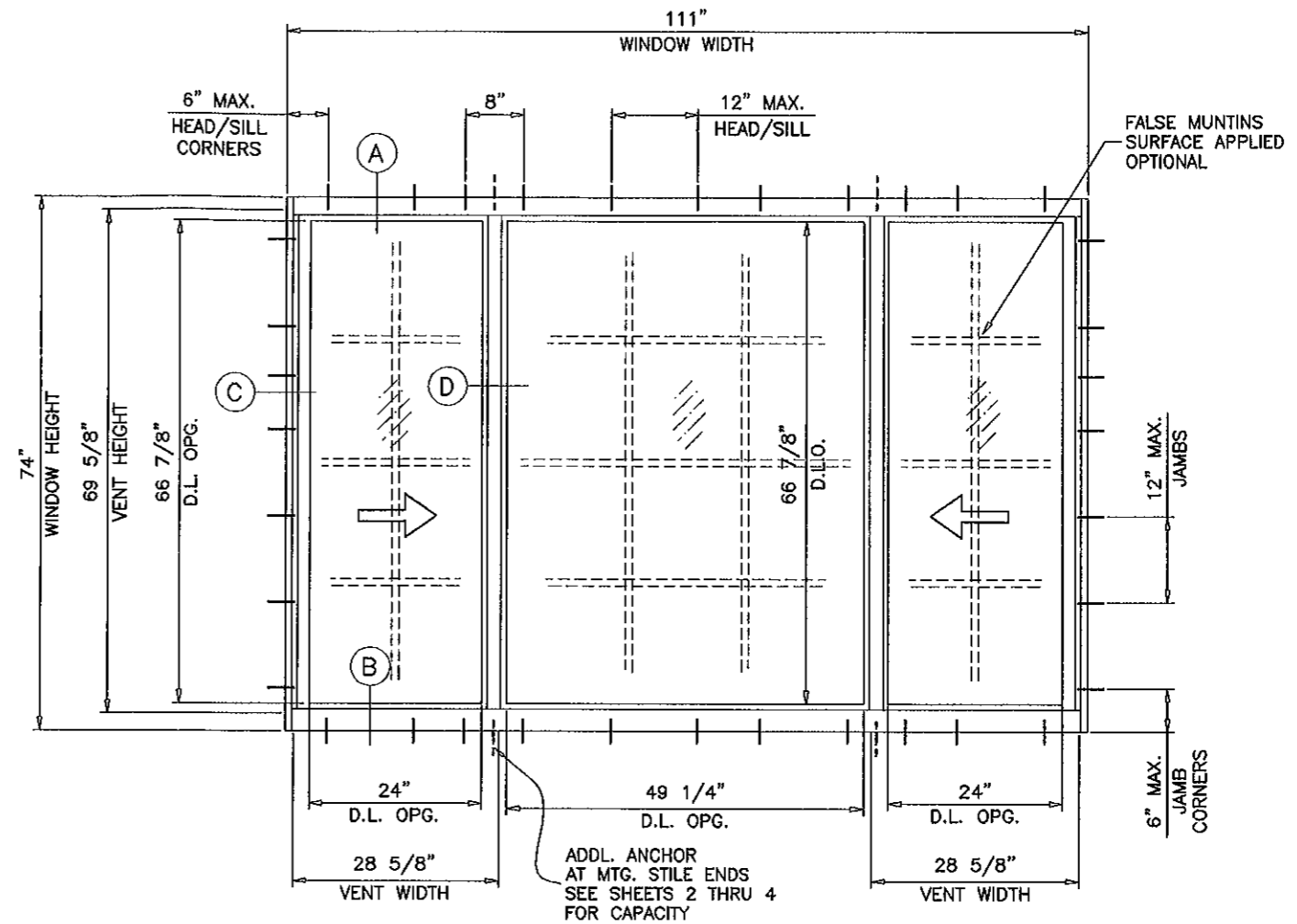
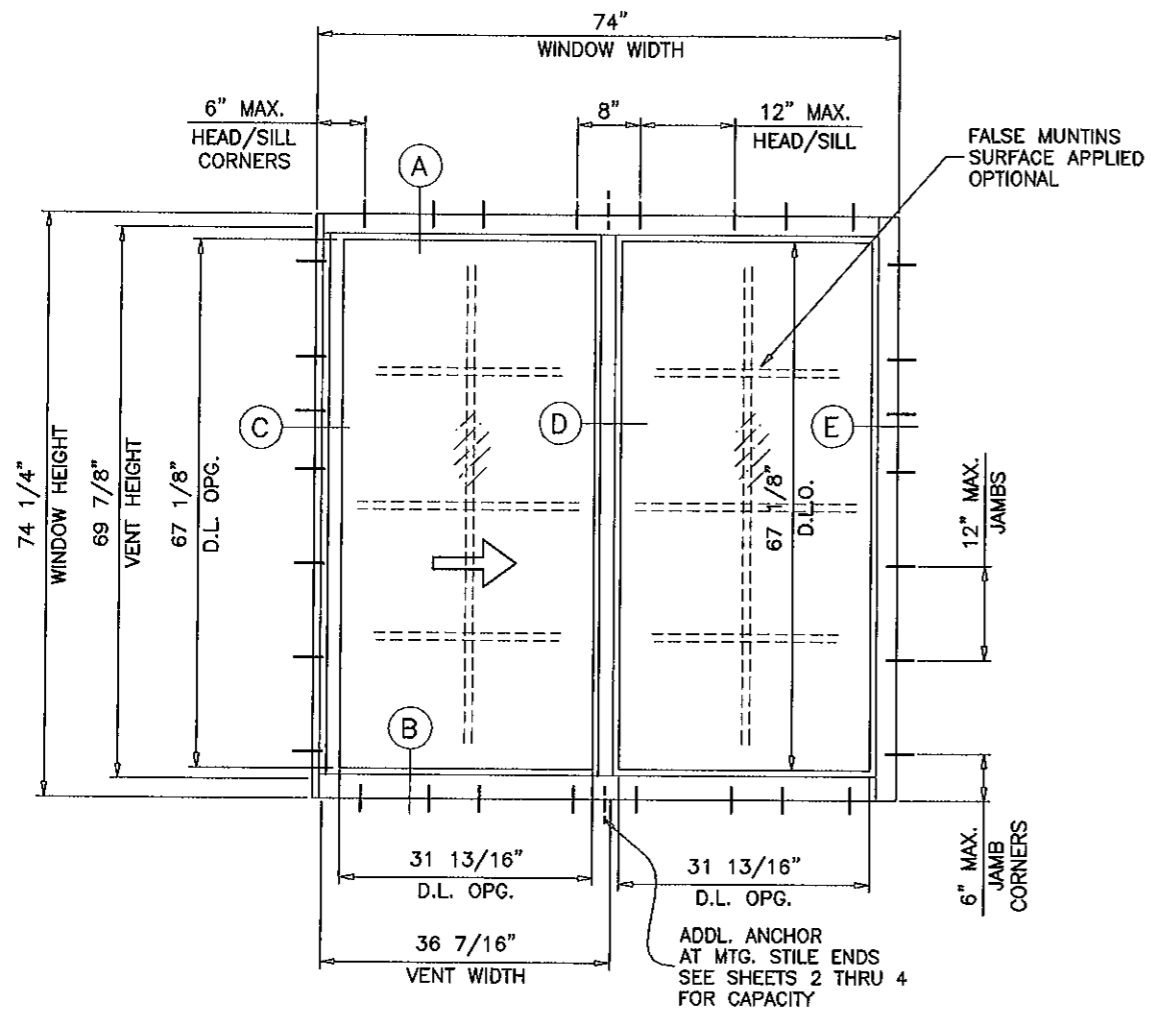
1. Notice of Acceptance No. **10-0121.11**, issued to SIW Impact Windows, LLC for their Series "200 Stormsafe" Aluminum Horizontal Sliding Window – L.M.I., approved on 04/21/10 and expiring on 08/01/12.


Manuel Perez, P.E.
Product Control Examiner

NOA No. 12-0221.07

Expiration Date: August 01, 2017

Approval Date: April 26, 2012



TYPICAL ELEVATIONS
TESTED UNITS

**SERIES 200 STORMSAFE
ALUMINUM HORIZONTAL SLIDING WINDOW**

APPROVAL APPLIES TO SINGLE UNITS OR SIDE BY SIDE COMBINATIONS OF H.S./H.S. OR HORIZONTAL SLIDING WITH OTHER WINDOW TYPES IN MODULES OF TWO OR MORE WINDOWS USING MIAMI-DADE COUNTY APPROVED MULLIONS IN BETWEEN. LOWER DESIGN PRESSURE FROM WINDOWS OR MULLION APPROVAL WILL APPLY TO ENTIRE SYSTEM.

DESIGN LOAD RATING FOR THESE WINDOWS TO BE AS PER CHARTS SHOWN ON SHEETS 2 THRU 4.

THIS PRODUCT HAS BEEN DESIGNED AND TESTED TO COMPLY WITH THE REQUIREMENTS OF THE FLORIDA BUILDING CODE INCLUDING HIGH VELOCITY HURRICANE ZONE (HVHZ).

WOOD BUCKS BY OTHERS, MUST BE ANCHORED PROPERLY TO TRANSFER LOADS TO THE STRUCTURE.

ANCHORS SHALL BE AS LISTED, SPACED AS SHOWN ON DETAILS, ANCHORS EMBEDMENT TO BASE MATERIAL SHALL BE BEYOND WALL DRESSING OR STUCCO.

ANCHORING OR LOADING CONDITIONS NOT SHOWN IN THESE DETAILS ARE NOT PART OF THIS APPROVAL.

A LOAD DURATION INCREASE IS USED IN DESIGN OF ANCHORS INTO WOOD ONLY.

MATERIALS INCLUDING BUT NOT LIMITED TO STEEL/METAL SCREWS, THAT COME INTO CONTACT WITH OTHER DISSIMILAR MATERIALS SHALL MEET THE REQUIREMENTS OF THE FLORIDA BLDG. CODE SECTION 2003.8.4.

THESE WINDOWS ARE RATED FOR LARGE & SMALL MISSILE IMPACT. SHUTTERS ARE NOT REQUIRED.

Engr: JAVAD AHMAD
CIVIL
FLA. PE # 70592
C.A.N. 3538
JAN 9 2012

PRODUCT REVISED
as complying with the Florida
Building Code
Acceptance No 12-0221-07
Expiration Date Aug 1, 2017
By *Manuel P...*
Miami Dade Product Control

af c
AL-FAROOQ CORPORATION
ENGINEERS & PRODUCT DEVELOPMENT
1235 S.W. 87 AVE
MIAMI, FLORIDA 33174
TEL (305) 264-8100 FAX (305) 262-6978
COMP-ANL\W07-28SIW

S-200 STORMSAFE ALUM HORIZ. ROLLING WDW. (L.M.I.)
SIW IMPACT WINDOWS, LLC.
975 S. CONGRESS AVE. #102
DELRAY BEACH, FL. 33445
TEL (561) 274-9392 FAX (561) 274-9262

no	date	by	description
A	06.27.07		REV. PER BCCO COMMENTS
B	07.28.09		GENERAL REVISION
C	01.17.12		UPDATED TO 2010 FBC

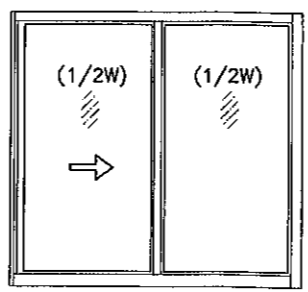
date:	04-24-07
scale:	1/2"=1'-0"
dr. by:	HAMID
chk. by:	

drawing no.	W07-28
sheet	1 of 8

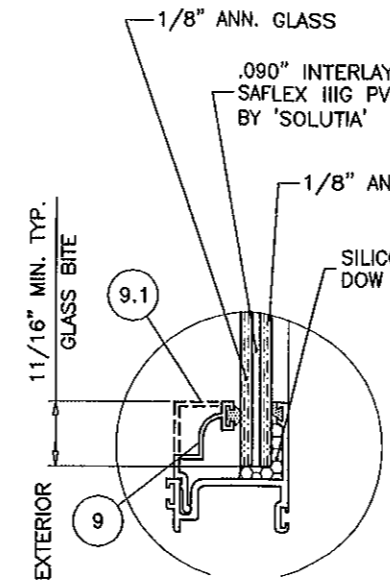
DESIGN LOAD CAPACITY - PSF (XO OR OX SIZES)									
WINDOW DIMS.		W/O STEEL REINFORCING				WITH STEEL REINFORCING			
		GLASS TYPE 'A'		GLASS TYPES 'B' & 'D'		GLASS TYPE 'C' *		GLASS TYPE 'C' *	
WIDTH	HEIGHT	EXT.(+)	INT.(-)	EXT.(+)	INT.(-)	EXT.(+)	INT.(-)	EXT.(+)	INT.(-)
24"	24"	70.0	70.0	70.0	70.0	80.0	100.0	-	-
36"		70.0	70.0	70.0	70.0	80.0	100.0	-	-
48"		70.0	70.0	70.0	70.0	80.0	100.0	-	-
60"		70.0	70.0	70.0	70.0	80.0	100.0	-	-
72"		70.0	70.0	70.0	70.0	80.0	100.0	-	-
24"	36"	70.0	70.0	70.0	70.0	80.0	100.0	-	-
36"		70.0	70.0	70.0	70.0	80.0	100.0	-	-
48"		70.0	70.0	70.0	70.0	80.0	100.0	-	-
60"		70.0	70.0	70.0	70.0	80.0	100.0	-	-
72"		70.0	70.0	70.0	70.0	80.0	100.0	-	-
24"	48"	70.0	70.0	70.0	70.0	80.0	100.0	-	-
36"		70.0	70.0	70.0	70.0	80.0	100.0	-	-
48"		70.0	70.0	70.0	70.0	80.0	100.0	-	-
60"		70.0	70.0	70.0	70.0	80.0	100.0	-	-
72"		70.0	70.0	70.0	70.0	80.0	100.0	-	-
24"	60"	-	-	70.0	70.0	80.0	100.0	-	-
36"		-	-	70.0	70.0	80.0	100.0	-	-
48"		-	-	70.0	70.0	80.0	100.0	-	-
60"		-	-	70.0	70.0	80.0	100.0	-	-
72"		-	-	70.0	70.0	80.0	100.0	-	-
24"	72"	-	-	-	-	80.0	100.0	-	-
36"		-	-	-	-	80.0	100.0	-	-
48"		-	-	-	-	80.0	100.0	-	-
60"		-	-	-	-	80.0	100.0	-	-
72"		-	-	-	-	80.0	88.0	-	-
26-1/2"	26"	70.0	70.0	70.0	70.0	80.0	100.0	-	-
37"		70.0	70.0	70.0	70.0	80.0	100.0	-	-
53-1/8"		70.0	70.0	70.0	70.0	80.0	100.0	-	-
74"		70.0	70.0	70.0	70.0	80.0	100.0	-	-
26-1/2"	38-3/8"	70.0	70.0	70.0	70.0	80.0	100.0	-	-
37"		70.0	70.0	70.0	70.0	80.0	100.0	-	-
53-1/8"		70.0	70.0	70.0	70.0	80.0	100.0	-	-
74"		70.0	70.0	70.0	70.0	80.0	100.0	-	-
26-1/2"	50-5/8"	70.0	70.0	70.0	70.0	80.0	100.0	-	-
37"		70.0	70.0	70.0	70.0	80.0	100.0	-	-
53-1/8"		70.0	70.0	70.0	70.0	80.0	100.0	-	-
74"		70.0	70.0	70.0	70.0	80.0	100.0	-	-
26-1/2"	63"	-	-	70.0	70.0	80.0	100.0	-	-
37"		-	-	70.0	70.0	80.0	100.0	-	-
53-1/8"		-	-	70.0	70.0	80.0	100.0	-	-
74"		-	-	70.0	70.0	80.0	94.2	-	-
26-1/2"	74"	-	-	-	-	80.0	100.0	-	-
37"		-	-	-	-	80.0	100.0	-	-
53-1/8"		-	-	-	-	80.0	92.7	-	-
74"		-	-	-	-	73.5	73.5	80.0	100.0

WITH ADDL. ANCHOR AT MTG. STILE ENDS

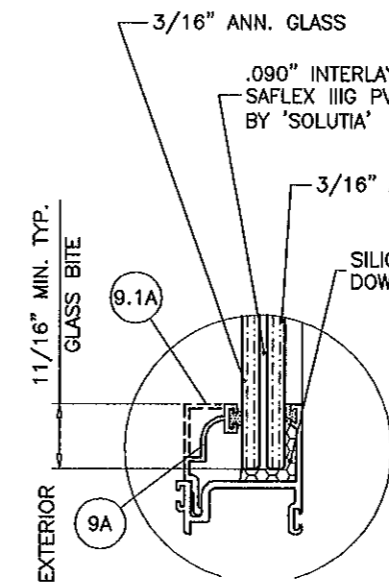
* APPLIED SILL RISER (ITEM #25) REQUIRED WHEN EXT.(+) PRESSURE EXCEEDS 70.0 PSF ONLY.



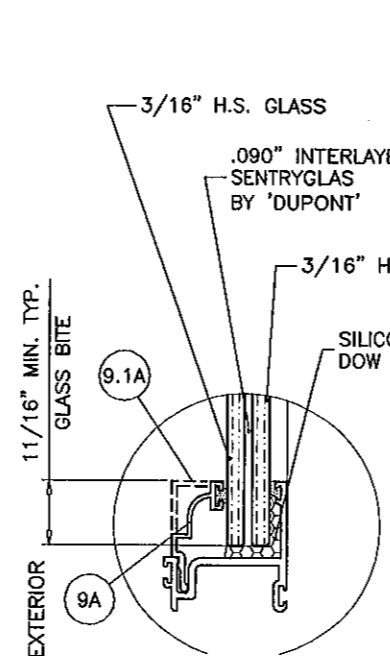
OPERATING VENTS TO BE 1/2 OF THE WINDOW WIDTH
XO OR OX



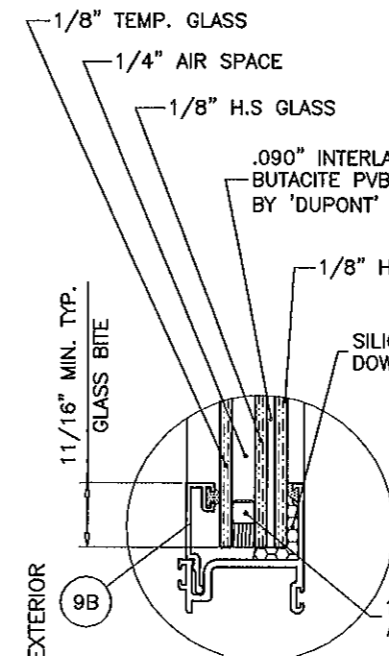
GLASS TYPE 'A'
11/32" OVERALL



GLASS TYPE 'B'
15/32" OVERALL



GLASS TYPE 'C'
15/32" OVERALL



GLASS TYPE 'D'
11/16" OVERALL

GLAZING OPTIONS

NOTE:
GLASS CAPACITIES ON THIS SHEET ARE BASED ON ASTM E1300-04 (3 SEC. GUSTS) AND FLORIDA BUILDING COMMISSION DECLARATORY STATEMENT DCA05-DEC-219

Engr: JAVAD AHMAD
CIVIL
FLA. PE # 70592
C.A.N. 3538

JAN 19 2012

PRODUCT REVISED as complying with the Florida Building Code
Acceptance No 12-0221.07
Expiration Date AUG. 1 2017
By *Manuel Perez*
Miami Dade Product Control

af c
AL-FAROOQ CORPORATION
ENGINEERS & PRODUCT DEVELOPMENT
1235 S.W. 87 AVE
MIAMI, FLORIDA 33174
TEL (305) 264-8100 FAX (305) 262-6978
COMP-ANL\W07-28SIW

S-200 STORMSAFE ALUM HORIZ. ROLLING WDW. (L.M.I.)
SIW IMPACT WINDOWS, LLC.
975 S. CONGRESS AVE. #102
DELRAY BEACH, FL. 33445
TEL (561) 274-9392 FAX (561) 274-9262

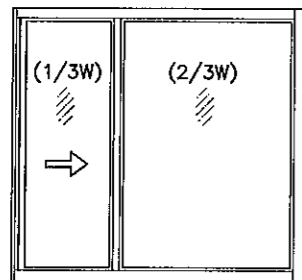
no.	date	description
B	07.28.09	GENERAL REVISION
C	01.17.12	UPDATED TO 2010 FBC

date: 04-24-07
scale: 1/2"=1'-0"
dr. by: HAMID
chk. by:

drawing no.
W07-28
sheet 2 of 8

DESIGN LOAD CAPACITY - PSF (XO OR OX SIZES)									
WINDOW DIMS.		W/O STEEL REINFORCING				WITH STEEL REINFORCING			
		GLASS TYPE 'A'		GLASS TYPES 'B' & 'D'		GLASS TYPE 'C' *		GLASS TYPE 'C' *	
WIDTH	HEIGHT	EXT.(+)	INT.(-)	EXT.(+)	INT.(-)	EXT.(+)	INT.(-)	EXT.(+)	INT.(-)
54"	24"	70.0	70.0	70.0	70.0	80.0	100.0	-	-
63"		70.0	70.0	70.0	70.0	80.0	100.0	-	-
72"		70.0	70.0	70.0	70.0	80.0	100.0	-	-
81"		70.0	70.0	70.0	70.0	80.0	100.0	-	-
54"	36"	70.0	70.0	70.0	70.0	80.0	100.0	-	-
63"		70.0	70.0	70.0	70.0	80.0	100.0	-	-
72"		70.0	70.0	70.0	70.0	80.0	100.0	-	-
81"		-	-	70.0	70.0	80.0	100.0	-	-
54"	48"	70.0	70.0	70.0	70.0	80.0	100.0	-	-
63"		-	-	70.0	70.0	80.0	100.0	-	-
72"		-	-	70.0	70.0	80.0	100.0	-	-
81"		-	-	70.0	70.0	80.0	100.0	-	-
54"	60"	-	-	70.0	70.0	80.0	100.0	-	-
63"		-	-	70.0	70.0	80.0	100.0	-	-
72"		-	-	70.0	70.0	80.0	100.0	-	-
81"		-	-	70.0	70.0	80.0	100.0	-	-
54"	72"	-	-	-	-	80.0	97.8	-	-
63"		-	-	-	-	80.0	88.1	-	-
72"		-	-	-	-	80.0	81.2	80.0	100.0
81"		-	-	-	-	76.3	76.3	80.0	100.0
55-1/2"	26"	70.0	70.0	70.0	70.0	80.0	100.0	-	-
79-3/4"		70.0	70.0	70.0	70.0	80.0	100.0	-	-
83-1/4"		70.0	70.0	70.0	70.0	80.0	100.0	-	-
55-1/2"	38-3/8"	70.0	70.0	70.0	70.0	80.0	100.0	-	-
79-3/4"		-	-	70.0	70.0	80.0	100.0	-	-
83-1/4"		-	-	70.0	70.0	80.0	100.0	-	-
55-1/2"	50-5/8"	70.0	70.0	70.0	70.0	80.0	100.0	-	-
79-3/4"		-	-	70.0	70.0	80.0	100.0	-	-
83-1/4"		-	-	70.0	70.0	80.0	100.0	-	-
55-1/2"	63"	-	-	70.0	70.0	80.0	100.0	-	-
79-3/4"		-	-	70.0	70.0	80.0	96.5	-	-
83-1/4"		-	-	70.0	70.0	80.0	95.0	-	-
55-1/2"	74"	-	-	-	-	80.0	92.3	-	-
79-3/4"		-	-	-	-	73.6	73.6	80.0	100.0
83-1/4"		-	-	-	-	72.0	72.0	80.0	100.0

WITH ADDL. ANCHOR AT MTG. STILE ENDS



OPERATING VENTS TO BE 1/3 OF THE WINDOW WIDTH
XO OR OX

* APPLIED SILL RISER (ITEM #25) REQUIRED WHEN EXT.(+) PRESSURE EXCEEDS 70.0 PSF ONLY.

NOTE:
GLASS CAPACITIES ON THIS SHEET ARE
BASED ON ASTM E1300-04 (3 SEC. GUSTS)
AND FLORIDA BUILDING COMMISSION
DECLARATORY STATEMENT DCA05-DEC-219

Engr: JAVAD AHMAD
CIVIL
FLA. PE # 70592
C.A.N. 3538
JAN 9 2012

PRODUCT REVISED
as complying with the Florida
Building Code
Acceptance No 12-0221-07
Expiration Date AUG. 1, 2017
By: *Manuel Pro*
Miami Dade Product Control

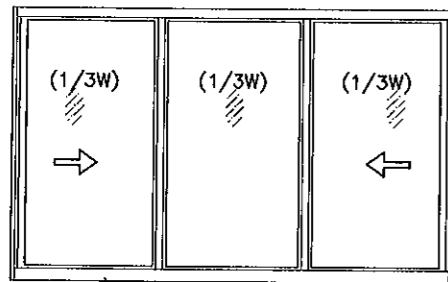
af c
AL-FAROQ CORPORATION
ENGINEERS & PRODUCT DEVELOPMENT
1235 S.W. 87 AVE
MIAMI, FLORIDA 33174
TEL. (305) 264-8100 FAX. (305) 262-6978
COMP-ANL\W07-28SIW

S-200 STORMSAFE ALUM. HORIZ. ROLLING WDW. (L.M.I.)
SIW IMPACT WINDOWS, LLC.
975 S. CONGRESS AVE. #102
DELRAY BEACH, FL. 33445
TEL. (561) 274-9392 FAX. (561) 274-9262

revisions:	no	date	by	description
	B	07.28.09		GENERAL REVISION
	C	01.17.12		UPDATED TO 2010 FBC
date:	04-24-07			
scale:	1/2"=1'-0"			
dr. by:	HAMID			
chk. by:				
drawing no.	W07-28			
sheet	3 of 8			

DESIGN LOAD CAPACITY - PSF (XOX SIZES)									
WINDOW DIMS.		W/O STEEL REINFORCING				WITH STEEL REINFORCING			
		GLASS TYPE 'A'		GLASS TYPES 'B' & 'D'		GLASS TYPE 'C' *		GLASS TYPE 'C' *	
WIDTH	HEIGHT	EXT.(+)	INT.(-)	EXT.(+)	INT.(-)	EXT.(+)	INT.(-)	EXT.(+)	INT.(-)
72"	24"	70.0	70.0	70.0	70.0	80.0	100.0	-	-
84"		70.0	70.0	70.0	70.0	80.0	100.0	-	-
96"		70.0	70.0	70.0	70.0	80.0	100.0	-	-
108"		70.0	70.0	70.0	70.0	80.0	100.0	-	-
72"	36"	70.0	70.0	70.0	70.0	80.0	100.0	-	-
84"		70.0	70.0	70.0	70.0	80.0	100.0	-	-
96"		70.0	70.0	70.0	70.0	80.0	100.0	-	-
108"		70.0	70.0	70.0	70.0	80.0	100.0	-	-
72"	48"	70.0	70.0	70.0	70.0	80.0	100.0	-	-
84"		70.0	70.0	70.0	70.0	80.0	100.0	-	-
96"		70.0	70.0	70.0	70.0	80.0	100.0	-	-
108"		70.0	70.0	70.0	70.0	80.0	100.0	-	-
72"	60"	-	-	70.0	70.0	80.0	100.0	-	-
84"		-	-	70.0	70.0	80.0	100.0	-	-
96"		-	-	70.0	70.0	80.0	100.0	-	-
108"		-	-	70.0	70.0	80.0	100.0	-	-
72"	72"	-	-	-	-	80.0	100.0	-	-
84"		-	-	-	-	80.0	92.5	-	-
96"		-	-	-	-	80.0	84.1	-	-
108"		-	-	-	-	77.9	77.9	80.0	100.0
74"	26"	70.0	70.0	70.0	70.0	80.0	100.0	-	-
106-1/4"		70.0	70.0	70.0	70.0	80.0	100.0	-	-
111"		70.0	70.0	70.0	70.0	80.0	100.0	-	-
74"	38-3/8"	70.0	70.0	70.0	70.0	80.0	100.0	-	-
106-1/4"		70.0	70.0	70.0	70.0	80.0	100.0	-	-
74"	50-5/8"	70.0	70.0	70.0	70.0	80.0	100.0	-	-
106-1/4"		70.0	70.0	70.0	70.0	80.0	100.0	-	-
74"	63"	-	-	70.0	70.0	80.0	100.0	-	-
106-1/4"		-	-	70.0	70.0	80.0	96.5	-	-
111"		-	-	70.0	70.0	80.0	94.2	-	-
74"	74"	-	-	-	-	80.0	98.1	-	-
106-1/4"		-	-	-	-	75.6	75.6	80.0	100.0
111"	-	-	-	-	73.5	73.5	80.0	100.0	

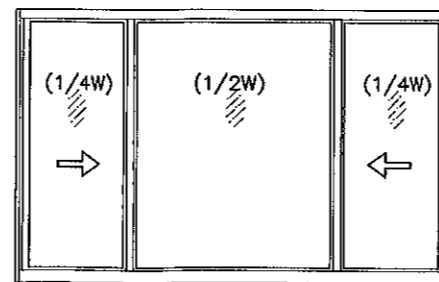
WITH ADDL. ANCHOR AT MTG. STILE ENDS



OPERATING VENTS TO BE 1/3 OF THE WINDOW WIDTH
XOX

DESIGN LOAD CAPACITY - PSF (XOX SIZES)									
WINDOW DIMS.		W/O STEEL REINFORCING				WITH STEEL REINFORCING			
		GLASS TYPE 'A'		GLASS TYPES 'B' & 'D'		GLASS TYPE 'C' *		GLASS TYPE 'C' *	
WIDTH	HEIGHT	EXT.(+)	INT.(-)	EXT.(+)	INT.(-)	EXT.(+)	INT.(-)	EXT.(+)	INT.(-)
72"	24"	70.0	70.0	70.0	70.0	80.0	100.0	-	-
84"		70.0	70.0	70.0	70.0	80.0	100.0	-	-
96"		70.0	70.0	70.0	70.0	80.0	100.0	-	-
108"		70.0	70.0	70.0	70.0	80.0	100.0	-	-
72"	36"	70.0	70.0	70.0	70.0	80.0	100.0	-	-
84"		70.0	70.0	70.0	70.0	80.0	100.0	-	-
96"		70.0	70.0	70.0	70.0	80.0	100.0	-	-
108"		-	-	70.0	70.0	80.0	100.0	-	-
72"	48"	70.0	70.0	70.0	70.0	80.0	100.0	-	-
84"		-	-	70.0	70.0	80.0	100.0	-	-
96"		-	-	70.0	70.0	80.0	100.0	-	-
108"		-	-	70.0	70.0	80.0	100.0	-	-
72"	60"	-	-	70.0	70.0	80.0	100.0	-	-
84"		-	-	70.0	70.0	80.0	100.0	-	-
96"		-	-	70.0	70.0	80.0	100.0	-	-
108"		-	-	70.0	70.0	80.0	100.0	-	-
72"	72"	-	-	-	-	80.0	97.8	-	-
84"		-	-	-	-	80.0	88.1	-	-
96"		-	-	-	-	80.0	81.2	80.0	100.0
108"		-	-	-	-	76.3	76.3	80.0	100.0
74"	26"	70.0	70.0	70.0	70.0	80.0	100.0	-	-
106-1/4"		70.0	70.0	70.0	70.0	80.0	100.0	-	-
111"		70.0	70.0	70.0	70.0	80.0	100.0	-	-
74"	38-3/8"	70.0	70.0	70.0	70.0	80.0	100.0	-	-
106-1/4"		-	-	70.0	70.0	80.0	100.0	-	-
74"	50-5/8"	70.0	70.0	70.0	70.0	80.0	100.0	-	-
106-1/4"		-	-	70.0	70.0	80.0	100.0	-	-
74"	63"	-	-	70.0	70.0	80.0	100.0	-	-
106-1/4"		-	-	70.0	70.0	80.0	96.5	-	-
111"		-	-	70.0	70.0	80.0	95.0	-	-
74"	74"	-	-	-	-	80.0	92.3	-	-
106-1/4"		-	-	-	-	73.6	73.6	80.0	100.0
111"	-	-	-	-	72.0	72.0	80.0	100.0	

WITH ADDL. ANCHOR AT MTG. STILE ENDS



OPERATING VENTS TO BE 1/4 OF THE WINDOW WIDTH
XOX

* APPLIED SILL RISER (ITEM #25) REQUIRED WHEN EXT.(+) PRESSURE EXCEEDS 70.0 PSF ONLY.

NOTE:
GLASS CAPACITIES ON THIS SHEET ARE
BASED ON ASTM E1300-04 (3 SEC. GUSTS)
AND FLORIDA BUILDING COMMISSION
DECLARATORY STATEMENT DCA05-DEC-219

Engr: JAVAD AHMAD
CIVIL
FLA. PE # 70592
C.A.N. 3538

JAN 9 2012

PRODUCT REVISED
as complying with the Florida
Building Code
Acceptance No 10-0221-07
Expiration Date AUG 1, 2017
By *Mahmud Raza*
Miami Trade Product Control

af c
AL-FAROOQ CORPORATION
ENGINEERS & PRODUCT DEVELOPMENT
1235 S.W. 87 AVE
MIAMI, FLORIDA 33174
TEL (305) 264-8100 FAX (305) 262-6978
COMP-ANL\W07-28SIW

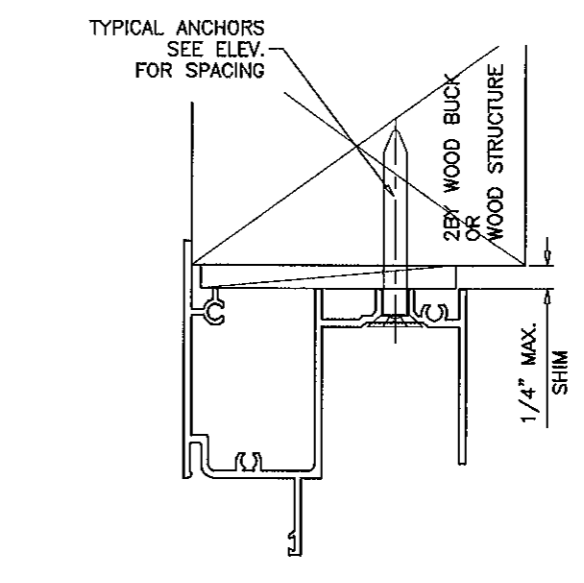
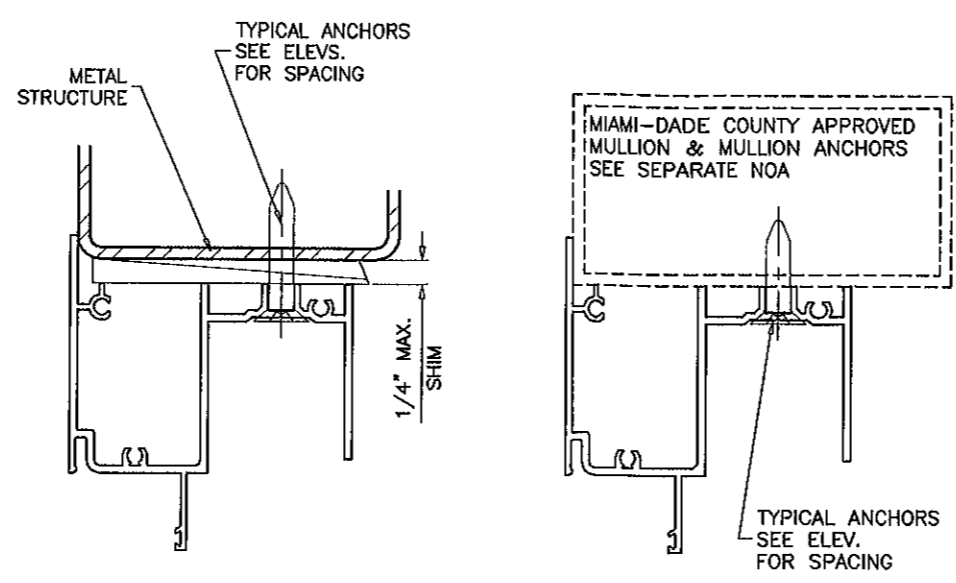
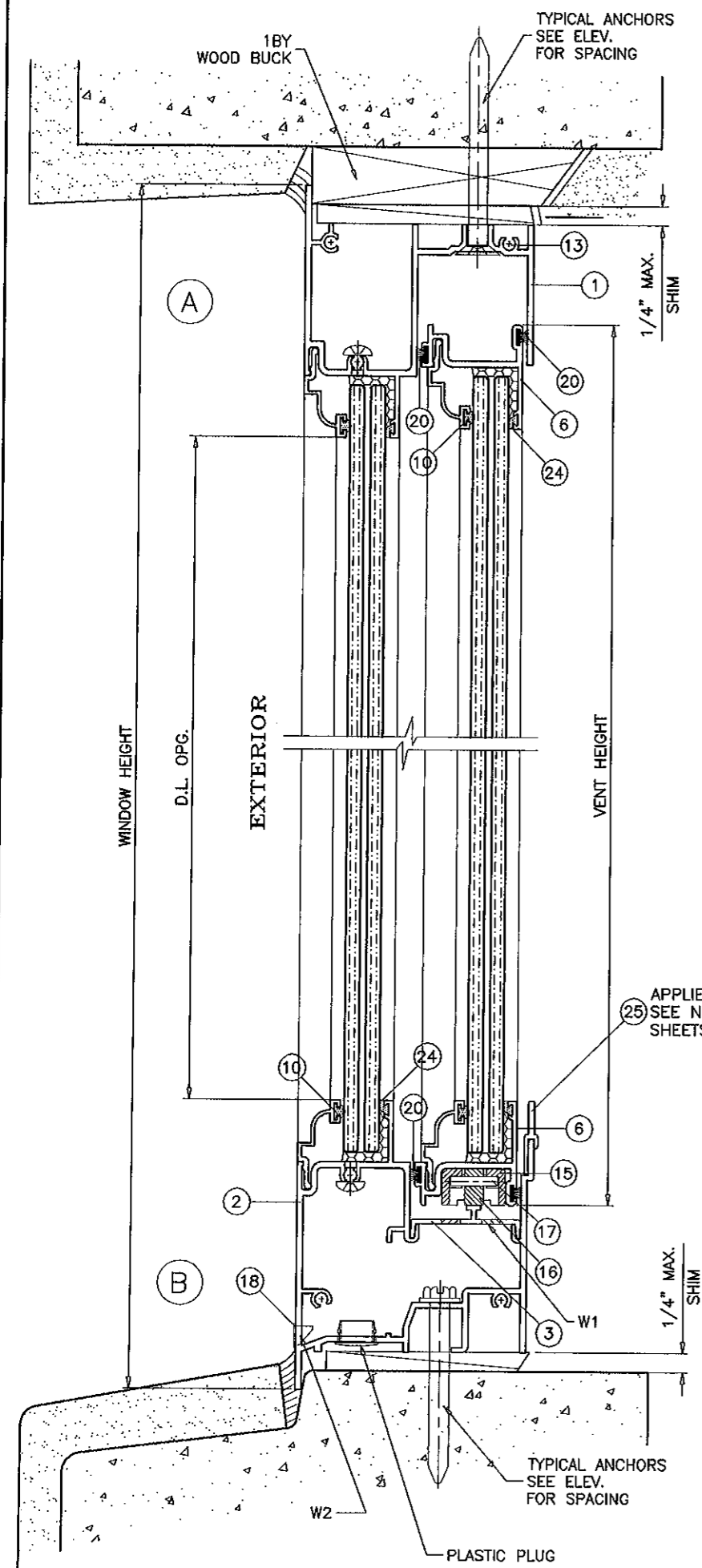
S-200 STORMSAFE ALUM HORIZ. ROLLING WDW. (L.M.I.)
SIW IMPACT WINDOWS, LLC.
975 S. CONGRESS AVE. #102
DELRAY BEACH, FL. 33445
TEL (561) 274-9392 FAX (561) 274-9262

NO	DATE	DESCRIPTION
A	06.27.07	NO CHANGE THIS SHEET
B	07.28.09	GENERAL REVISION
C	01.17.12	UPDATED TO 2010 FBC

date: 04-24-07
scale: 1/2" = 1'-0"
dr. by: HAMID
chk. by:

drawing no.
W07-28

sheet 4 of 8



WOOD BUCKS AND METAL STRUCTURE NOT BY S.I.W. MUST SUSTAIN LOADS IMPOSED BY GLAZING SYSTEM AND TRANSFER THEM TO THE BUILDING STRUCTURE.

SEALANTS:

ALL JOINTS AND FRAME CONNECTIONS SEALED WITH SILICONE OR ACRYLIC SEALANT.

WEEPHOLES:

- W1 = 1" X 1/4" WEEPHOLES IN PAIRS
 - (2) ON VENT AREA AT 2" FROM ENDS AND 26" O.C.
 - (4) UNDER FIX. LITE AT 18" O.C.
- W2 = 1-3/4" X 1/4" WEEPHOLES WITH NYLON BAFFLE
 - (2) ON VENT AREA AT 15" FROM ENDS AND 24" O.C.
 - (3) UNDER FIX. LITE AT 16" O.C.

TYPICAL ANCHORS: SEE ELEV. FOR SPACING

1/4" DIA. ULTRACON BY 'ELCO' (Fu=177 KSI, Fy=155 KSI)
 INTO 2BY WOOD BUCKS OR WOOD STRUCTURES
 1-3/8" MIN. PENETRATION INTO WOOD
 THRU 1BY BUCKS INTO CONC. OR MASONRY
 1-1/4" MIN. EMBED INTO CONC. OR MASONRY
 DIRECTLY INTO CONC. OR MASONRY
 1-1/4" MIN. EMBED INTO CONC. OR MASONRY

#14 SMS OR SELF DRILLING SCREWS (GRADE 2 CRS)
 INTO METAL STRUCTURES

STEEL : 12 GA. MIN. (Fy = 36 KSI MIN.)
 ALUMINUM : 1/8" THK. MIN. (6063-T5 MIN.)
 (STEEL IN CONTACT WITH ALUMINUM TO BE PLATED OR PAINTED)

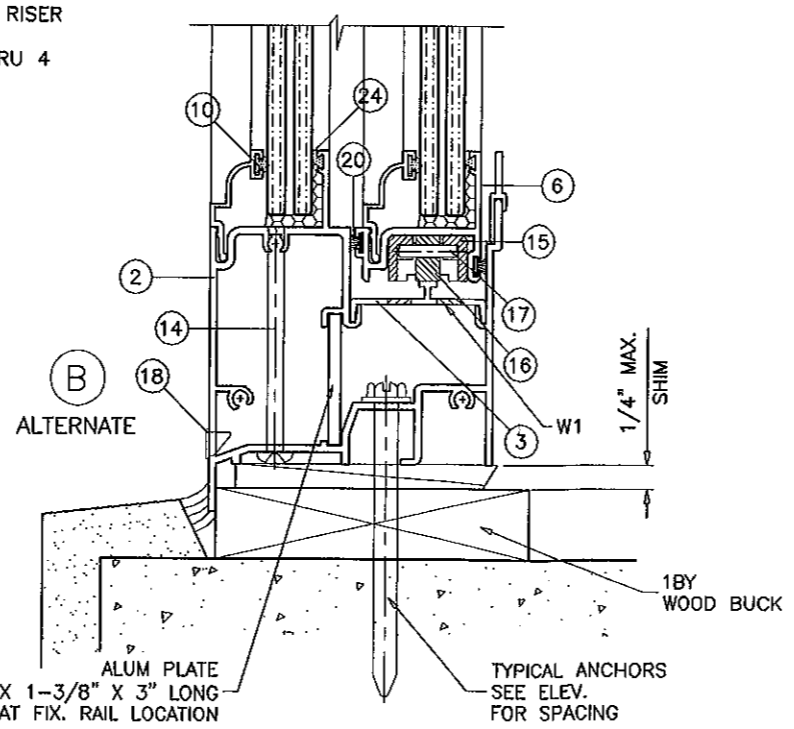
#12 SMS OR SELF DRILLING SCREWS (GRADE 2 CRS)

INTO MIAMI-DADE COUNTY APPROVED MULLIONS (MIN. THK. = .090")
 (NO SHIM SPACE)

TYPICAL EDGE DISTANCE

INTO CONCRETE AND MASONRY = 1-3/4" MIN.
 INTO WOOD STRUCTURE = 1" MIN.
 INTO METAL STRUCTURE = 1/2" MIN.

CONCRETE AT HEAD, SILL OR JAMBS f'c = 3000 PSI MIN.
 C-90 HOLLOW/FILLED BLOCK AT JAMBS f'm = 2000 PSI MIN.



Engr: JAVAD AHMAD
 CIVIL
 FLA. PE # 70592
 C.A.N. 3538

JAN 2012

PRODUCT REVISED
 as complying with the Florida
 Building Code
 Acceptance No 12-0221-07
 Expiration Date AUG. 1, 2017

By *Manuel Diaz*
 Miami Dade Product Control

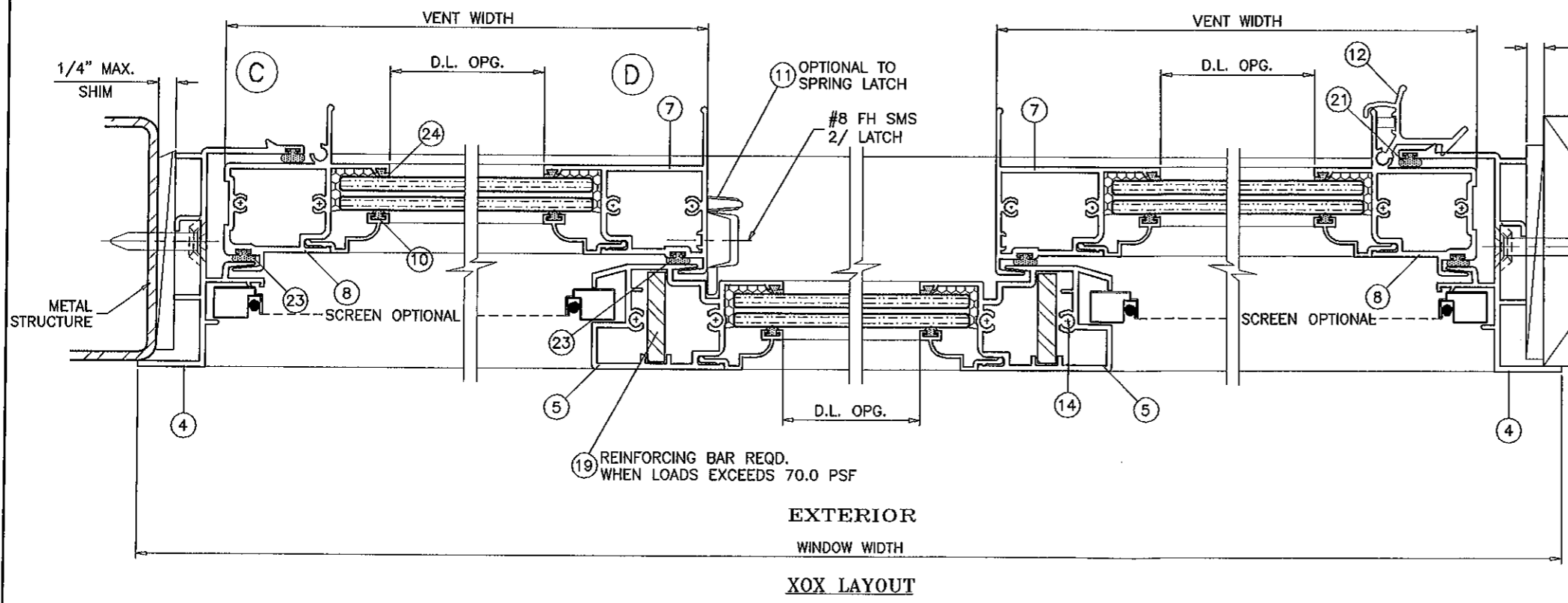
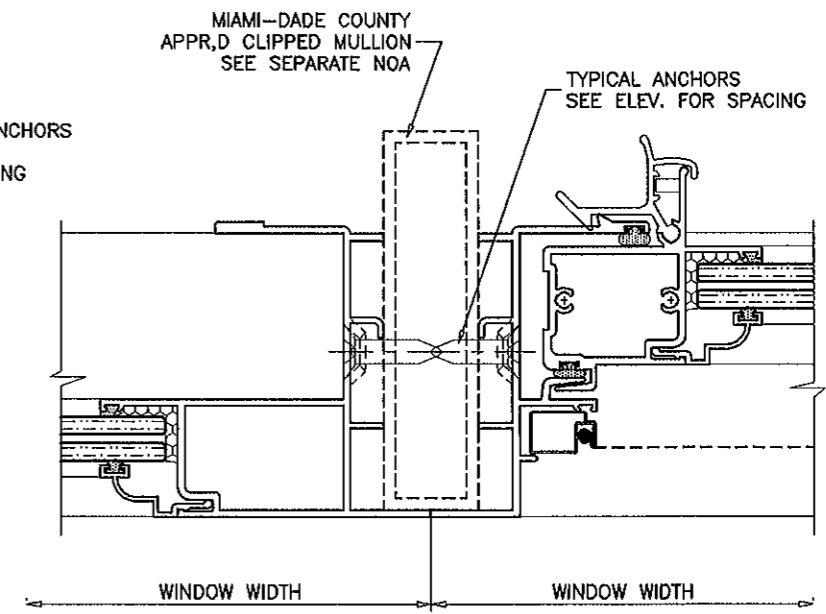
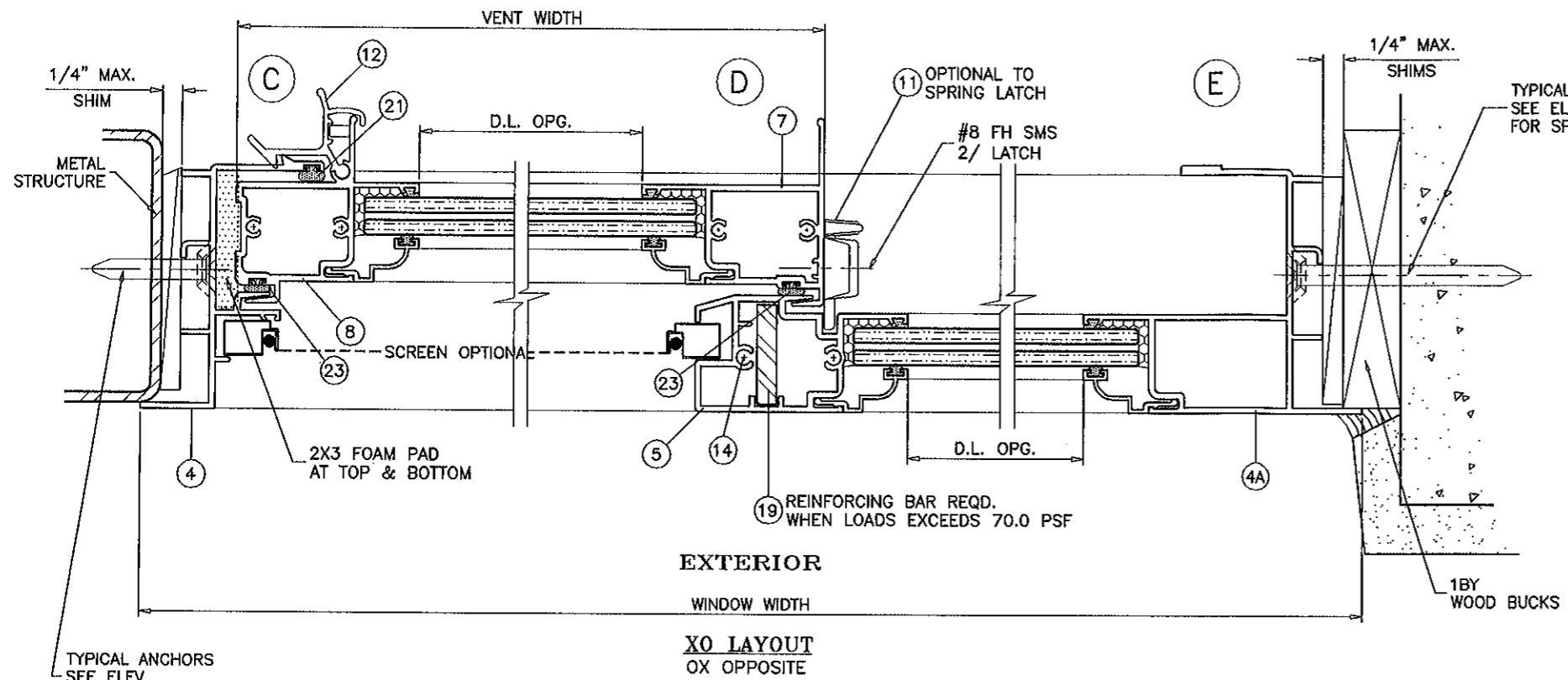
af c
AL-FAROOQ CORPORATION
 ENGINEERS & PRODUCT DEVELOPMENT
 1235 S.W. 87 AVE
 MIAMI, FLORIDA 33174
 TEL. (305) 264-8100 FAX. (305) 262-6978
 COMP-ANL\W07-28SIW

S-200 STORMSAFE ALUM HORIZ. ROLLING WDW. (L.M.I.)
SIW IMPACT WINDOWS, LLC.
 975 S. CONGRESS AVE. #102
 DELRAY BEACH, FL. 33445
 TEL (561) 274-9392 FAX (561) 274-9262

NO	DATE	BY	DESCRIPTION
A	06.27.07		NO CHANGE THIS SHEET
B	07.28.09		GENERAL REVISION
C	01.17.12		NO CHANGE THIS SHEET

date: 04-24-07
 scale: 1/2" = 1"
 dr. by: HAMID
 chk. by:

drawing no.
W07-28
 sheet 5 of 8



Engr: JAVAD AHMAD
 CIVIL
 FLA. PE # 70592
 C.A.N. 3538

JAVAD AHMAD
 JAN 19 2012

PRODUCT REVISED
 as complying with the Florida
 Building Code
 Acceptance No. 12-0221.07
 Expiration Date AUG 1, 2017

By *Marcel Perez*
 Miami/Dade Product Control

af c

AL-FAROOQ CORPORATION
 ENGINEERS & PRODUCT DEVELOPMENT
 1235 S.W. 87 AVE
 MIAMI, FLORIDA 33174
 TEL. (305) 264-8100 FAX. (305) 262-6978
 COMP-ANL\W07-28SIW

S-200 STORMSAFE ALUM. HORIZ. ROLLING WDW. (L.M.I.)

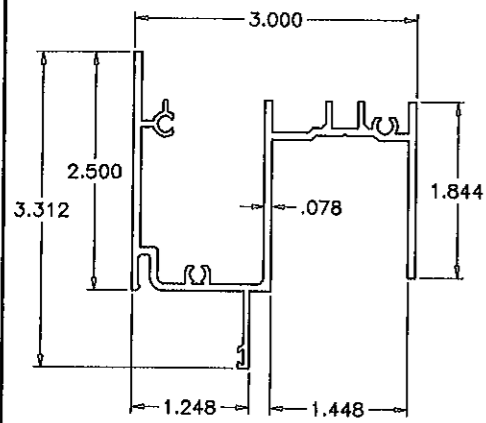
SIW IMPACT WINDOWS, LLC.
 975 S. CONGRESS AVE. #102
 DELRAY BEACH, FL. 33445
 TEL. (561) 274-9392 FAX. (561) 274-9262

no	date	description
A	06.27.07	NO CHANGE THIS SHEET
B	07.28.09	GENERAL REVISION
C	01.17.12	NO CHANGE THIS SHEET

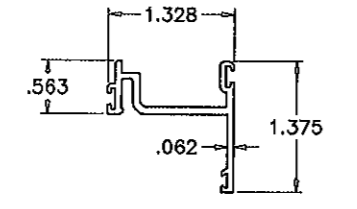
date: 04-24-07
 scale: 1/2" = 1"
 dr. by: HAMID
 chk. by:

drawing no.
W07-28

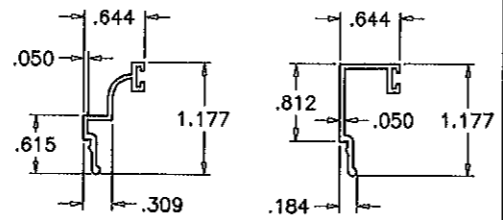
sheet 6 of 8



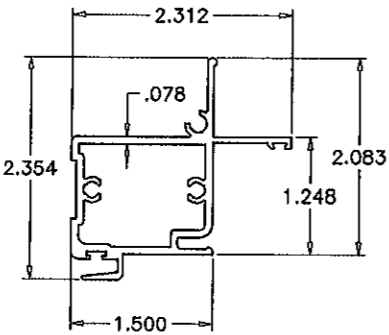
① FRAME HEAD



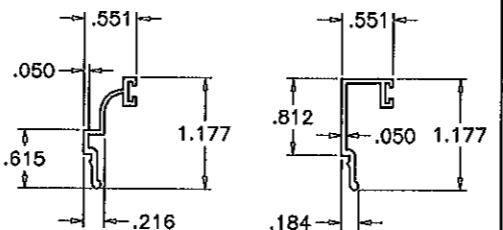
⑥ VENT TOP/BOTTOM RAIL



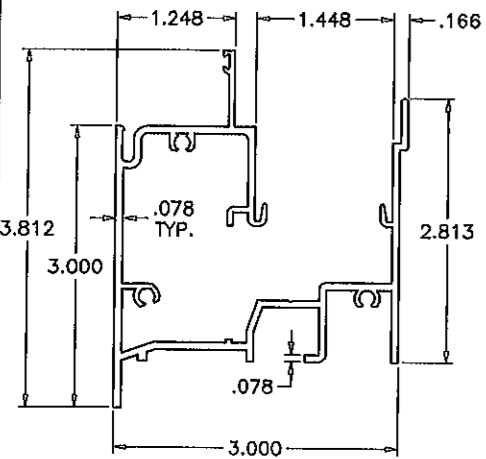
⑨ GLAZING BEADS (3/8" GLASS)



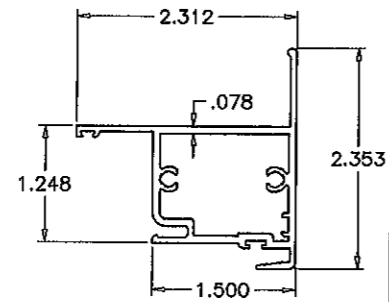
⑦ JAMB STILE



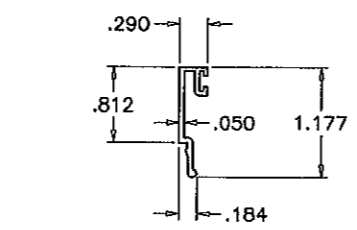
⑨A GLAZING BEADS (7/16" GLASS)



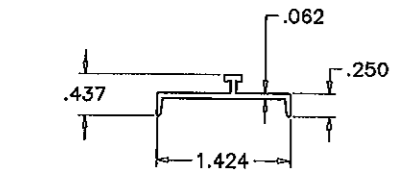
② FRAME SILL



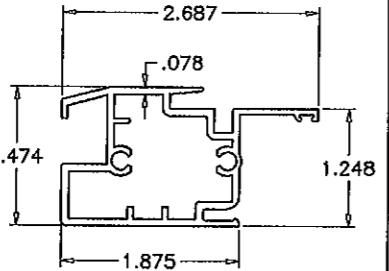
⑦ MEETING STILE



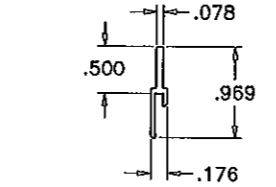
⑨B GLAZING BEAD (LAM. INSUL. GLASS)



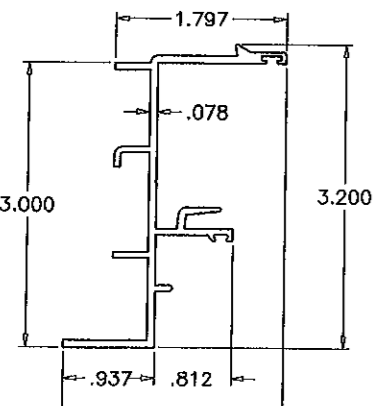
③ SILL TRACK



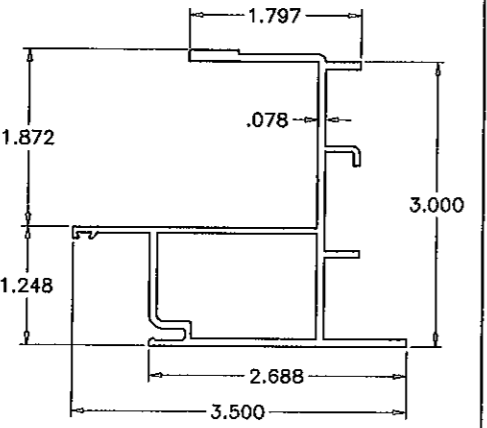
⑤ FIXED MTG. STILE



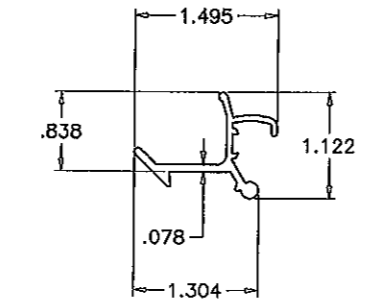
②5 SILL RISER



④ FRAME JAMB (VENT SIDE)

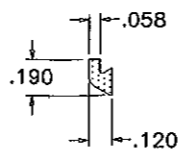


④A FRAME JAMB (FIX. SIDE)



①2 SPRING LATCH

ITEM	PART #	QUANTITY	DESCRIPTION	MATERIAL	MANF./SUPPLIER/REMARKS
1	SIW201	1	FRAME HEAD	6063-T6	-
2	SIW202	1	FRAME SILL	6063-T6	-
3	SIW203	1	SILL TRACK	6063-T6	-
4	SIW204	2	FRAME JAMB (VENT SIDE)	6063-T5	-
4A	SIW205	2	FRAME JAMB (FIX SIDE)	6063-T5	-
5	SIW206	1/	VENT FIXED MTG. RAIL	6063-T5	-
6	SIW107	2/	VENT TOP & BOTTOM RAIL	6063-T5	-
7	SIW105	1/	VENT INTERLOCK	6063-T5	-
8	SIW106	1/	VENT JAMB STILE	6063-T6	-
9	SIW112	AS REQD.	GLAZING BEAD (3/8" GLASS)	6063-T5	-
9.1	SIW128	AS REQD.	ALT. GLAZING BEAD (3/8" GLASS)	6063-T5	-
9A	SIW108	AS REQD.	GLAZING BEAD (7/16" GLASS)	6063-T5	-
9.1A	SIW127	AS REQD.	ALT. GLAZING BEAD (7/16" GLASS)	6063-T5	-
9B	SIW117	AS REQD.	GLAZING BEAD (LAM. INSUL. GLASS)	6063-T5	-
10	938W	AS REQD.	EXTERIOR GLAZING GASKET	SANTOPRENE	CENTRAL PLASTICS
11	SIW109	2/	SWEEP LATCH	-	AT 15-1/2" FROM EACH END
12	-	2/	SPRING LATCH	6063-T6	AT 15-1/2" FROM EACH END
13	-	AS REQD.	FRAME & VENT ASSY SCREWS	-	#10 X 1-1/2" PH SMS
14	-	4/	FIXED RAIL SCREW	-	#12 X 4" PH SMS
15	SIW207	4/	ROLLER HOUSING & GUIDE	DELTRIN	-
16	SIW208	2/	ROLLER	-	BRASS OR ST. STEEL
17	SIW209	2/	ROLLER PIN	ST. STEEL	-
18	-	5/	WDW. BAFFLE	NYLON	-
19	-	AS REQD.	REINFORCING BAR (1/4" X 1-1/4")	STEEL	-
20	W23201NG	AS REQD.	TOP & BOTTOM RAIL W'STRIPPING	-	ULTRAFAB OE EQUIV.
21	938BL	AS REQD.	FRAME JAMB W'STRIPPING	POLYPROPYLENE	CENTRAL PLASTICS
22	-	OPTIONAL	SCREEN	-	5/16" BOX
23	U4333	AS REQD.	BULB W'STRIPPING	-	SCHLEGEL
24	SIW113	-	GLAZING LEG SPACER	SOFT PVC	-
25	SIW211	AS REQD.	SILL RISER	6063-T5	-



②4 GLAZING LEG SPACER
SCALE 1:1

Engr: JAVAD AHMAD
CIVIL
FLA. PE # 70592
C.A.N. 3538
JAN 1 2017

PRODUCT REVISED
as complying with the Florida
Building Code
Acceptance No. 12-0221.07
Expiration Date AUG. 1, 2017
By: *Maurice Perez*
Miami Dade Product Control

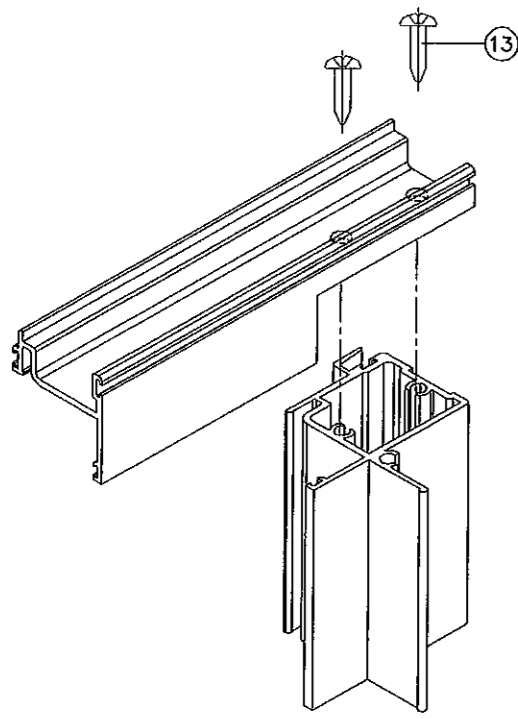
af c
AL-FAROOQ CORPORATION
ENGINEERS & PRODUCT DEVELOPMENT
1235 S.W. 87 AVE
MIAMI, FLORIDA 33174
TEL (305) 264-8100 FAX (305) 262-6978
COMP-ANL/W07-28SIW

S-200 STORMSAFE ALUM HORIZ. ROLLING WDW. (L.M.I.)
SIW IMPACT WINDOWS, LLC.
975 S. CONGRESS AVE. #102
DELRAY BEACH, FL. 33445
TEL (561) 274-9392 FAX (561) 274-9262

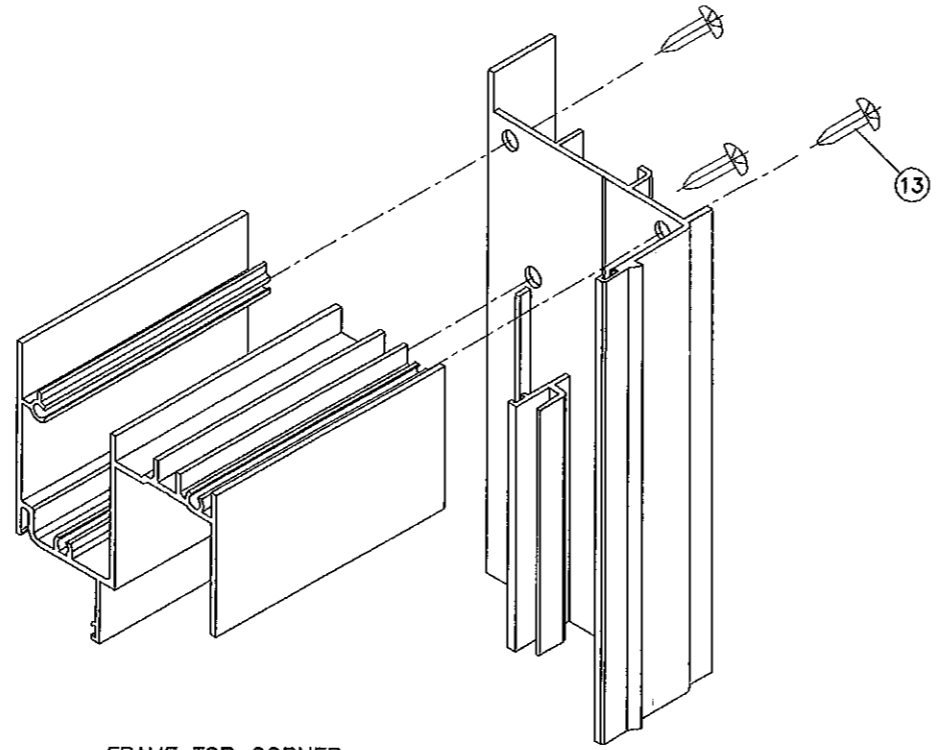
no	date	by	description
A	06.27.07		NO CHANGE THIS SHEET
B	07.28.08		GENERAL REVISION
C	01.17.12		NO CHANGE THIS SHEET

date: 04-24-07
scale: 1/2" = 1"
dr. by: HAMID
chk. by:

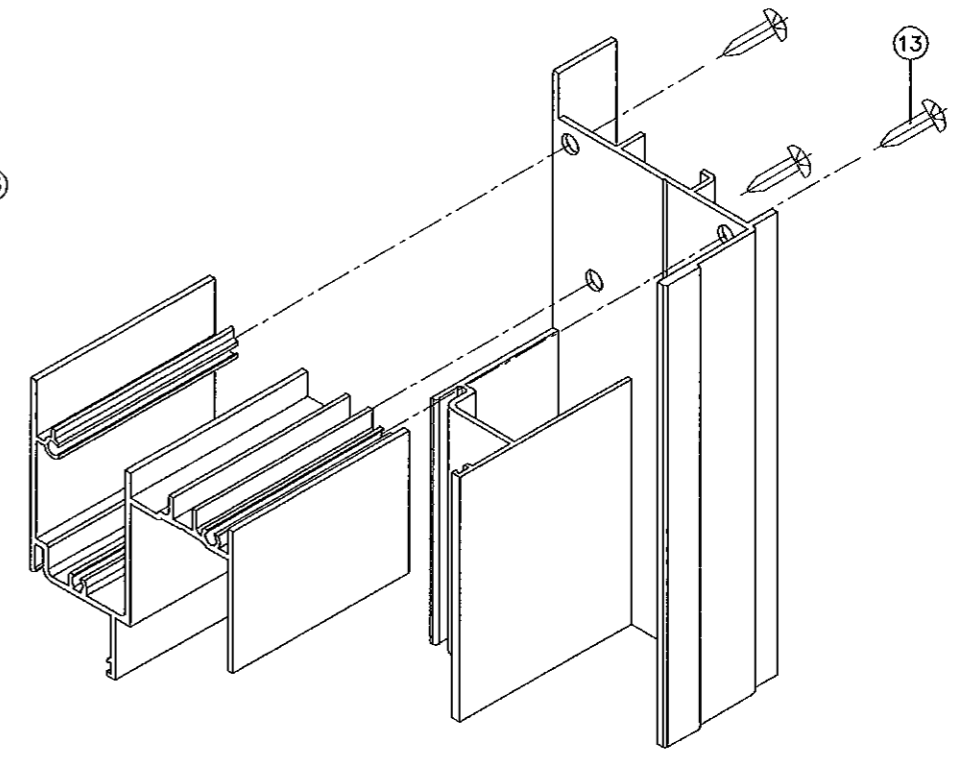
drawing no.
W07-28
sheet 7 of 8



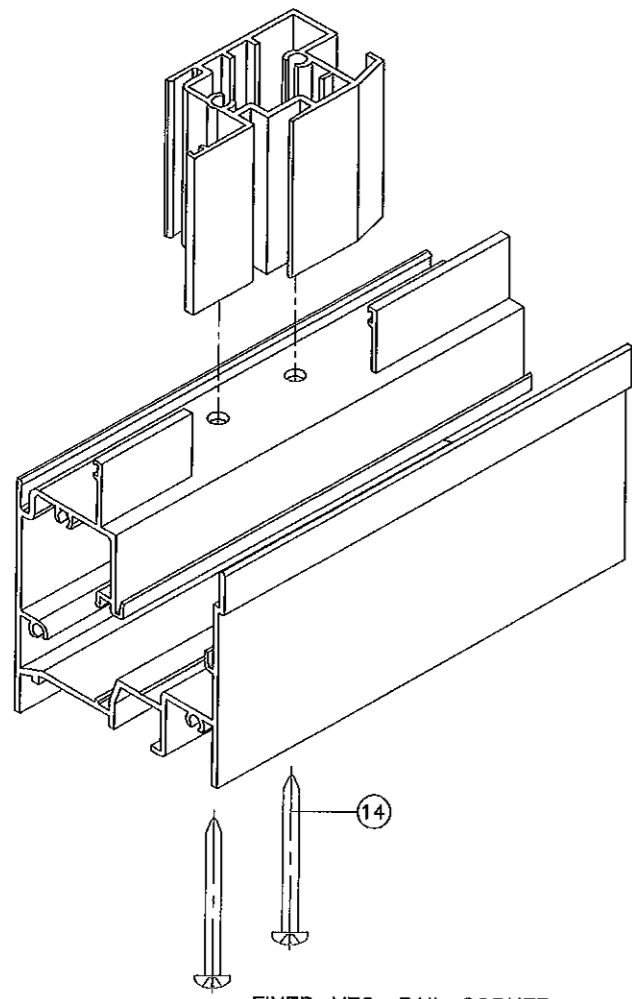
VENT TOP/BOTTOM CORNERS



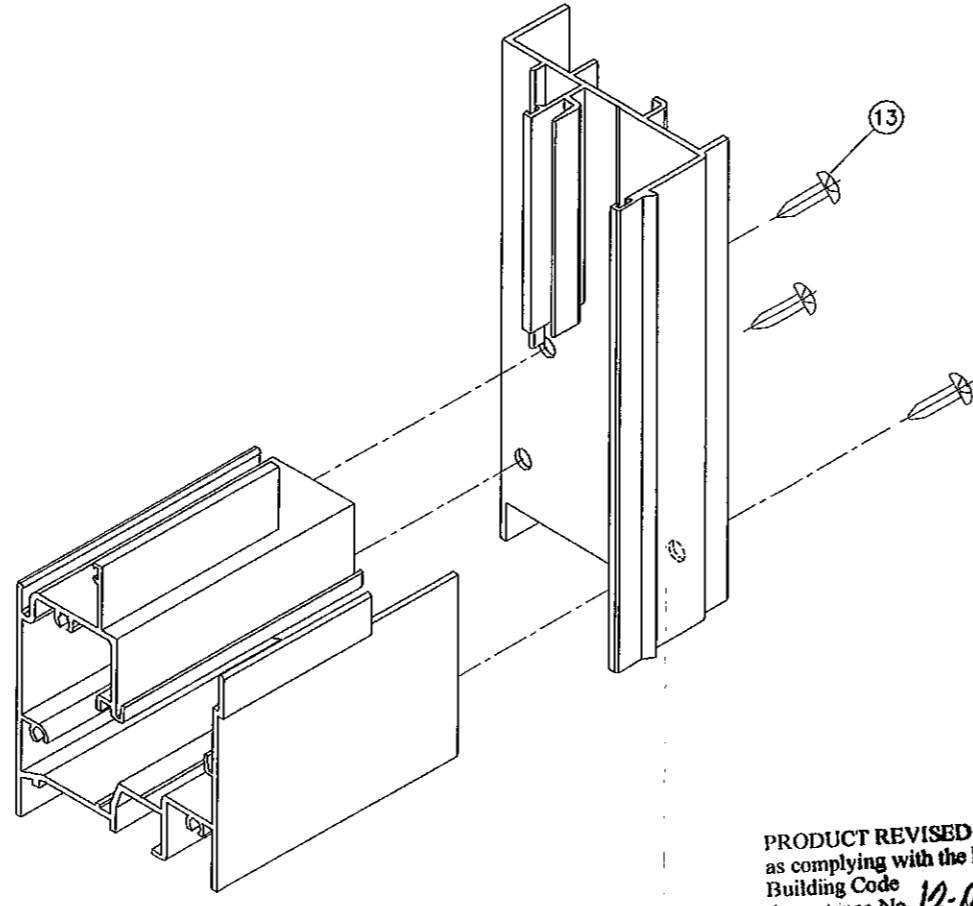
FRAME TOP CORNER



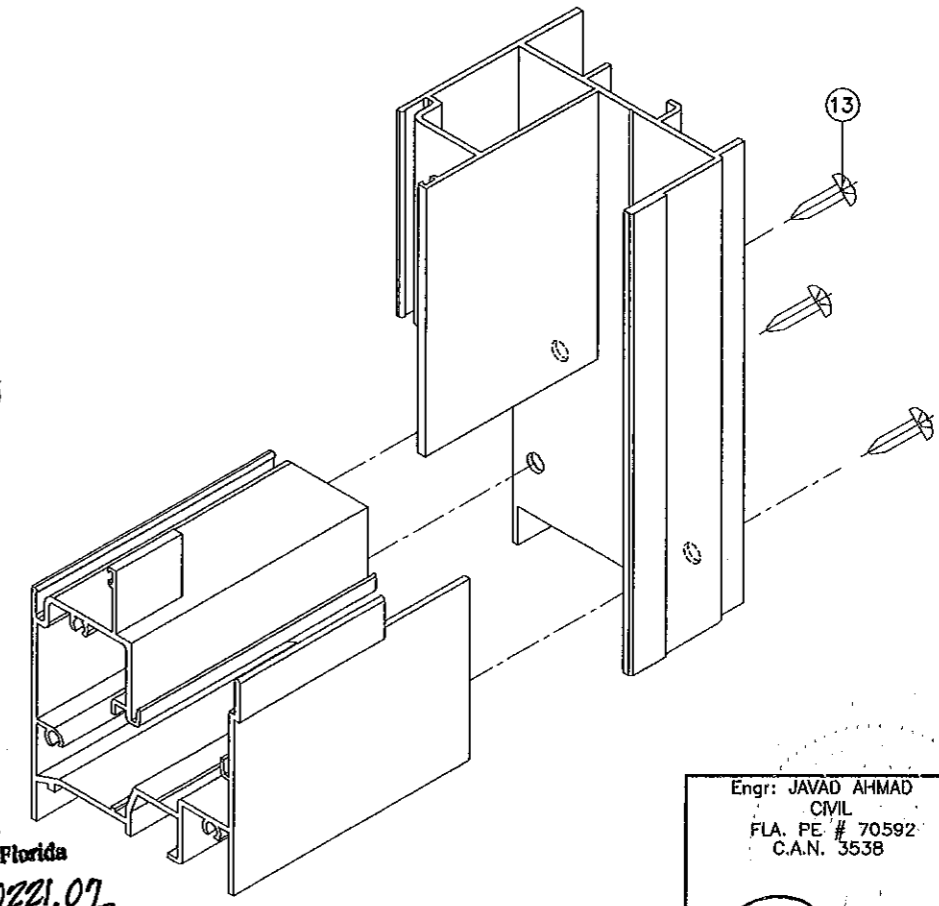
FRAME TOP CORNER



FIXED MTG. RAIL CORNER



FRAME BOTTOM CORNER
AT MOVING END



FRAME BOTTOM CORNER
AT FIXED END

PRODUCT REVISED
as complying with the Florida
Building Code
Acceptance No. 12-0221-07
Expiration Date 12/1/2017
By *Mameel*
Miami Dade Product Control

Engr: JAVAD AHMAD
CIVIL
FLA. PE # 70592
C.A.N. 3538
JAVAD AHMAD
JAN 19 2012

afc
AL-FAROOQ CORPORATION
ENGINEERS & PRODUCT DEVELOPMENT
1235 S.W. 87 AVE
MIAMI, FLORIDA 33174
TEL. (305) 264-8100 FAX. (305) 262-6978
COMP-ANL\W07-28SIW

S-200 STORMSAFE ALUM. HORIZ. ROLLING WDW. (L.M.I.)
SIW IMPACT WINDOWS, LLC.
975 S. CONGRESS AVE. #102
DELRAY BEACH, FL. 33445
TEL. (561) 274-9392 FAX. (561) 274-9262

no.	date	by	description
A	06.27.07		NO CHANGE THIS SHEET
B	07.28.09		GENERAL REVISION
C	01.17.12		NO CHANGE THIS SHEET

date: 04-24-07
scale: 1/2" = 1"
dr. by: HAMID
chk. by:

drawing no.
W07-28
sheet 8 of 8