



DEPARTMENT OF PERMITTING, ENVIRONMENT, AND REGULATORY
AFFAIRS (PERA)
BOARD AND CODE ADMINISTRATION DIVISION

NOTICE OF ACCEPTANCE (NOA)

MIAMI-DADE COUNTY
PRODUCT CONTROL SECTION
11805 SW 26 Street, Room 208
Miami, Florida 33175-2474
T (786) 315-2590 F (786) 315-2599
www.miamidade.gov/pera

SIW Impact Windows, LLC
975 S. Congress Avenue, # 102
Delray Beach, FL 33445

SCOPE:

This NOA is being issued under the applicable rules and regulations governing the use of construction materials. The documentation submitted has been reviewed and accepted by Miami-Dade County PERA - Product Control Section to be used in Miami Dade County and other areas where allowed by the Authority Having Jurisdiction (AHJ).

This NOA shall not be valid after the expiration date stated below. The Miami-Dade County Product Control Section (In Miami Dade County) and/or the AHJ (in areas other than Miami Dade County) reserve the right to have this product or material tested for quality assurance purposes. If this product or material fails to perform in the accepted manner, the manufacturer will incur the expense of such testing and the AHJ may immediately revoke, modify, or suspend the use of such product or material within their jurisdiction. PERA reserves the right to revoke this acceptance, if it is determined by Miami-Dade County Product Control Section that this product or material fails to meet the requirements of the applicable building code.

This product is approved as described herein, and has been designed to comply with the Florida Building Code, including the High Velocity Hurricane Zone.

DESCRIPTION: Series "S-450" Aluminum Project-Out Window - L.M.I.

APPROVAL DOCUMENT: Drawing No. **W09-57**, titled "S-450 Aluminum Project Out Wdw. (L.M.I.)", sheets 1 through 6 of 6, dated 10/29/09, with revision A dated 01/20/12, prepared by Al-Farooq Corporation, signed and sealed by Javad Ahmad, P.E., bearing the Miami-Dade County Product Control Revision stamp with the Notice of Acceptance number and expiration date by the Miami-Dade County Product Control Section.

MISSILE IMPACT RATING: Large and Small Missile Impact Resistant

LABELING: Each unit shall bear a permanent label with the manufacturer's name or logo, city, state, model/series, and following statement: "Miami-Dade County Product Control Approved", unless otherwise noted herein.

RENEWAL of this NOA shall be considered after a renewal application has been filed and there has been no change in the applicable building code negatively affecting the performance of this product.

TERMINATION of this NOA will occur after the expiration date or if there has been a revision or change in the materials, use, and/or manufacture of the product or process. Misuse of this NOA as an endorsement of any product, for sales, advertising or any other purposes shall automatically terminate this NOA. Failure to comply with any section of this NOA shall be cause for termination and removal of NOA.

ADVERTISEMENT: The NOA number preceded by the words Miami-Dade County, Florida, and followed by the expiration date may be displayed in advertising literature. If any portion of the NOA is displayed, then it shall be done in its entirety.

INSPECTION: A copy of this entire NOA shall be provided to the user by the manufacturer or its distributors and shall be available for inspection at the job site at the request of the Building Official.

This NOA revises NOA # **09-1109.04** and consists of this page 1 and evidence pages E-1 and E-2, as well as approval document mentioned above.

The submitted documentation was reviewed by **Manuel Perez, P.E.**



MP
4/19/12

NOA No. 12-0223.20
Expiration Date: February 10, 2015
Approval Date: April 26, 2012
Page 1

SIW Impact Windows, LLC.

NOTICE OF ACCEPTANCE: EVIDENCE SUBMITTED

A. DRAWINGS

1. Manufacturer's die drawings and sections.
2. Drawing No. **W09-57**, titled "S-450 Aluminum Project Out Wdw. (L.M.I.)", sheets 1 through 6 of 6, dated 10/29/09, prepared by Al-Farooq Corporation, signed and sealed by Javad Ahmad, P.E.

B. TESTS

1. Test reports on:
 - 1) Air Infiltration Test, per FBC, TAS 202-94
 - 2) Uniform Static Air Pressure Test, Loading per FBC TAS 202-94
 - 3) Water Resistance Test, per FBC, TAS 202-94
 - 4) Large Missile Impact Test per FBC, TAS 201-94
 - 5) Cyclic Wind Pressure Loading per FBC, TAS 203-94
 - 6) Forced Entry Test, per FBC 2411 3.2.1, TAS 202-94

along with marked-up drawings and installation diagram of an aluminum project-out window, prepared by Hurricane Engineering and Testing, Inc., Test Reports No.

HETI-09-2627, HETI-09-2628, HETI-09-2629, HETI-09-2630, and HETI-09-2633, dated 10/06/09, signed and sealed by Candido F. Font, P.E.

(Submitted under previous NOA#09-1109.04)

C. CALCULATIONS

1. Anchor verification calculations and structural analysis, complying with FBC-2007, prepared by Al-Farooq Corporation, dated 10/28/09, and updated to FBC-2010 on 01/18/12, signed and sealed by Javad Ahmad, P.E.

(Partially submitted under previous NOA#09-1109.04)


2. Glazing complies with ASTM E1300-04

D. QUALITY ASSURANCE

1. Miami-Dade Department of Permitting, Environment, and Regulatory Affairs (PERA)

E. MATERIAL CERTIFICATIONS

1. Notice of Acceptance No. **11-0624.02** issued to **E.I. DuPont DeNemours & Co., Inc.** for their "**DuPont SentryGlas® Interlayer**" dated 08/25/11, expiring on 01/14/17.
2. Notice of Acceptance No. **11-0624.01** issued to **E.I. DuPont DeNemours & Co., Inc.** for their "**DuPont Butacite® PVB Interlayer**" dated 09/08/11, expiring on 12/11/16.


Manuel Perez, P.E.
Product Control Examiner
NOA No. 12-0223.20

Expiration Date: February 10, 2015

Approval Date: April 26, 2012

SIW Impact Windows, LLC.


NOTICE OF ACCEPTANCE: EVIDENCE SUBMITTED

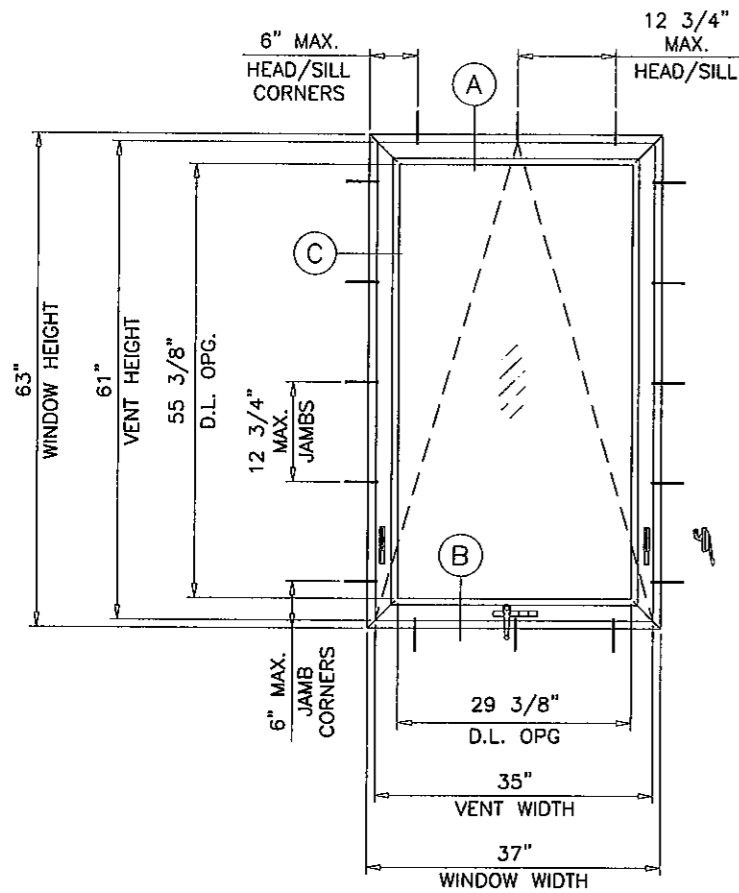
F. STATEMENTS

1. Statement letter of conformance, complying with FBC-2010, and of no financial interest, dated January 20, 2012, prepared by Al-Farooq Corporation, signed and sealed by Javad Ahmad, P.E.
2. Laboratory compliance letters for Test Reports No. **HETI-09-2627, HETI-09-2628, HETI-09-2629, HETI-09-2630, and HETI-09-2633**, issued by Hurricane Test Laboratory, Inc., dated 08/15 to 26/09, signed and sealed by Candido F. Font, P. E. *(Submitted under previous NOA#09-1109.04)*

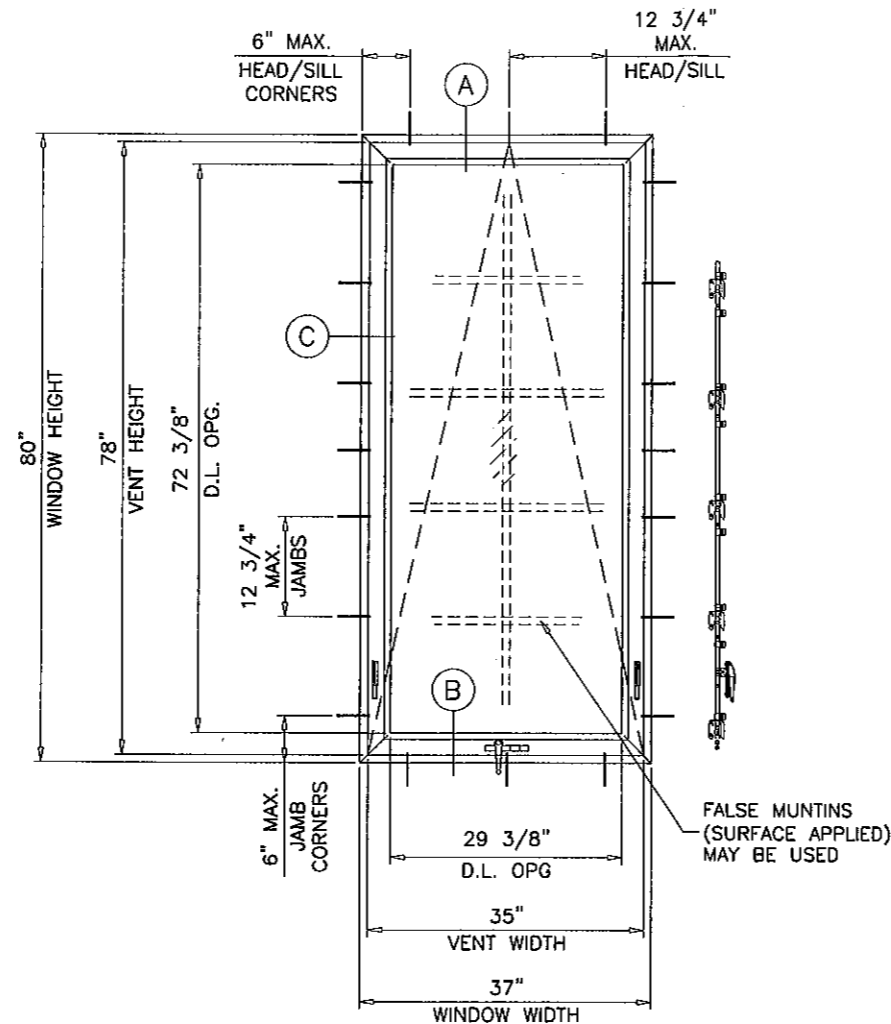
G. OTHER

1. Notice of Acceptance No. **09-1109.04**, issued to SIW Impact Windows, LLC for their Series "S-450" Aluminum Project-Out Window – L.M.I., approved on 02/10/10 and expiring on 02/10/15.

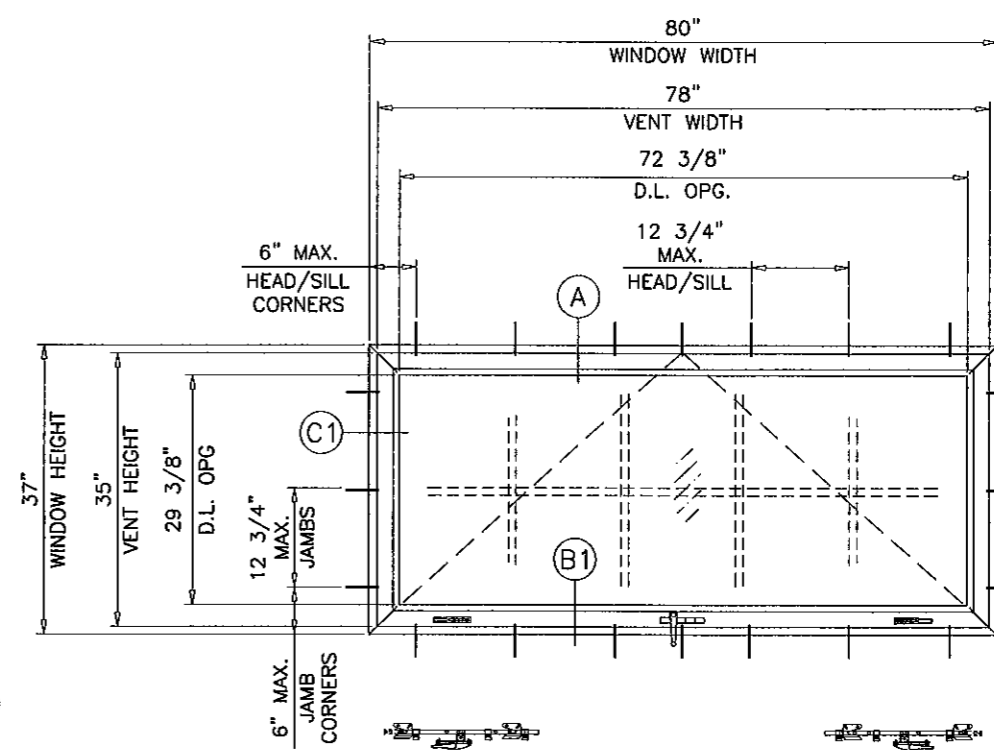

Manuel Perez, P.E.
Product Control Examiner
NOA No. 12-0223.20
Expiration Date: February 10, 2015
Approval Date: April 26, 2012



TYPICAL ELEVATION
CAM LOCK AT EACH JAMB



TYPICAL ELEVATION
MULTI POINT LOCK AT EACH JAMB
MAX. WDW. WIDTH = 42 IN.
MIN. WDW. HEIGHT = 42 IN.



TYPICAL ELEVATION
DOUBLE MULTI POINT LOCK AT SILL
MIN. WDW. WIDTH = 42 IN.

SERIES S-450

ALUMINUM PROJECT OUT WINDOW

DESIGN LOAD RATING FOR THESE WINDOWS TO BE AS PER CHARTS SHOWN ON SHEET 2.

APPROVAL APPLIES TO SINGLE UNITS OR SIDE BY SIDE COMBINATIONS OF PROJECTED/PROJECTED OR PROJECTED WITH OTHER MIAMI-DADE COUNTY APPR'D WINDOWS USING MIAMI-DADE COUNTY APPROVED MULLIONS IN BETWEEN. LOWER DESIGN PRESSURE FROM WINDOWS OR MULLION APPROVAL WILL APPLY TO ENTIRE SYSTEM.

THIS PRODUCT HAS BEEN DESIGNED AND TESTED TO COMPLY WITH THE REQUIREMENTS OF THE FLORIDA BUILDING CODE INCLUDING HIGH VELOCITY HURRICANE ZONE (HVHZ).

WOOD BUCKS BY OTHERS, MUST BE ANCHORED PROPERLY TO TRANSFER LOADS TO THE STRUCTURE.

ANCHORS SHALL BE AS LISTED, SPACED AS SHOWN ON DETAILS, ANCHORS EMBEDMENT TO BASE MATERIAL SHALL BE BEYOND WALL DRESSING OR STUCCO.

ANCHORING OR LOADING CONDITIONS NOT SHOWN IN THESE DETAILS ARE NOT PART OF THIS APPROVAL.

A LOAD DURATION INCREASE IS USED IN DESIGN OF ANCHORS INTO WOOD ONLY.

MATERIALS INCLUDING BUT NOT LIMITED TO STEEL/METAL SCREWS, THAT COME INTO CONTACT WITH OTHER DISSIMILAR MATERIALS SHALL MEET THE REQUIREMENTS OF THE FLORIDA BLDG. CODE SECTION 2003.8.4.

THESE WINDOWS ARE RATED FOR LARGE & SMALL MISSILE IMPACT. SHUTTERS ARE NOT REQUIRED.

Engr: JAVAD AHMAD
CIVIL
FLA. PE # 70592
C.A.N. 3538

PRODUCT REVISED
as complying with the Florida Building Code
Acceptance No 12-0223.20
Expiration Date FEB. 10, 2015

MANUEL PEREZ
Miami Dade Product Control

af c
AL-FAROOQ CORPORATION
ENGINEERS & PRODUCT DEVELOPMENT
1235 S.W. 87 AVE
MIAMI, FLORIDA 33174
TEL. (305) 264-8100 FAX. (305) 262-6978
COMP-ANL\W09-57SIW

S-450 ALUMINUM PROJECT OUT WDW. (L.M.I.)
SIW IMPACT WINDOWS, LLC.
975 S. CONGRESS AVE. #102
DELRAY BEACH, FL. 33445
TEL. (561) 274-9392 FAX. (561) 274-9262

no.	date	by	description
A	01.2012		UPDATED TO 2010 FBC

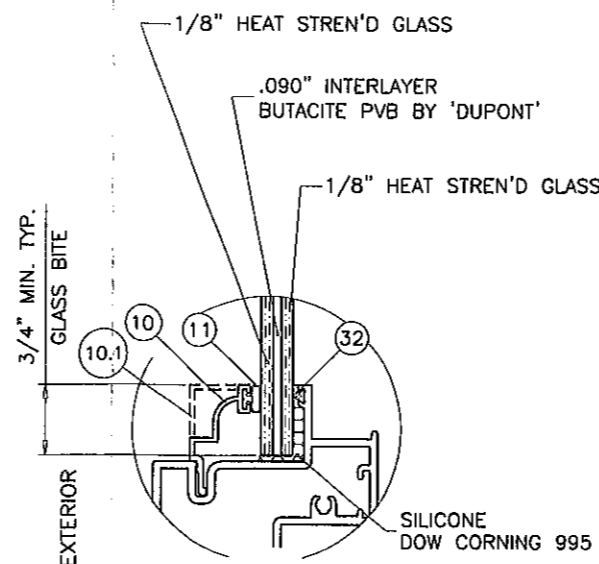
date: 10-29-09
scale: 1/2"=1'-0"
dr. by: HAMID
chk. by:

drawing no.
W09-57

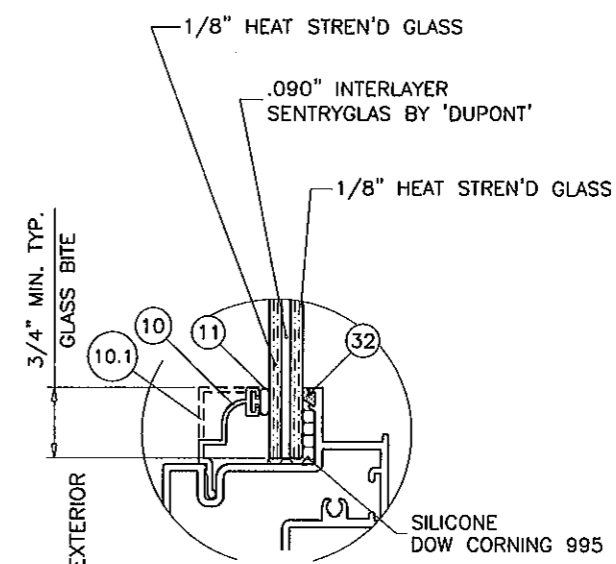
sheet 1 of 6

DESIGN LOAD CAPACITY - PSF						
WINDOW DIMS.		WITH CAM LOCKS		W/ MULTI POINT LOCKS		
		GLASS TYPES 'A', 'B', 'C' & 'D'		GLASS TYPES 'B', 'C' & 'D'		
WIDTH	HEIGHT	EXT.(+)	INT.(-)	EXT.(+)	INT.(-)	
19-1/8"	26-1/2"	70.0	70.0	80.0	80.0	
26-1/2"		70.0	70.0	80.0	80.0	
32"		70.0	70.0	80.0	80.0	
37"		70.0	70.0	80.0	80.0	
42"		70.0	70.0	80.0	80.0	
48"		70.0	70.0	80.0	80.0	
53-1/8"		70.0	70.0	80.0	80.0	
74"		55.0	55.0	80.0	80.0	
80"		43.2	43.2	80.0	80.0	
84"		37.1	37.1	80.0	80.0	
19-1/8"	32"	70.0	70.0	80.0	80.0	
26-1/2"		70.0	70.0	80.0	80.0	
32"		70.0	70.0	80.0	80.0	
37"		70.0	70.0	80.0	80.0	
42"		70.0	70.0	80.0	80.0	
48"		70.0	70.0	80.0	80.0	
53-1/8"		70.0	70.0	80.0	80.0	
74"		-	-	80.0	80.0	
80"		-	-	80.0	80.0	
84"		-	-	77.6	77.6	
19-1/8"	37"	70.0	70.0	80.0	80.0	
26-1/2"		70.0	70.0	80.0	80.0	
32"		70.0	70.0	80.0	80.0	
37"		70.0	70.0	80.0	80.0	
42"		70.0	70.0	80.0	80.0	
48"		70.0	70.0	80.0	80.0	
53-1/8"		70.0	70.0	80.0	80.0	
74"		-	-	80.0	80.0	
80"		-	-	80.0	80.0	
84"		-	-	80.0	80.0	
19-1/8"	38-3/8"	70.0	70.0	80.0	80.0	
26-1/2"		70.0	70.0	80.0	80.0	
32"		70.0	70.0	80.0	80.0	
37"		70.0	70.0	80.0	80.0	
42"		70.0	70.0	80.0	80.0	
48"		70.0	70.0	80.0	80.0	
53-1/8"		70.0	70.0	80.0	80.0	
74"		-	-	80.0	80.0	
19-1/8"		50-5/8"	70.0	70.0	80.0	80.0
26-1/2"			70.0	70.0	80.0	80.0
32"	70.0		70.0	80.0	80.0	
37"	70.0		70.0	80.0	80.0	
42"	70.0		70.0	80.0	80.0	
48"	-		-	80.0	80.0	
53-1/8"	-		-	80.0	80.0	
19-1/8"	63"		70.0	70.0	80.0	80.0
26-1/2"			70.0	70.0	80.0	80.0
32"			70.0	70.0	80.0	80.0
37"		70.0	70.0	80.0	80.0	
42"		-	-	80.0	80.0	

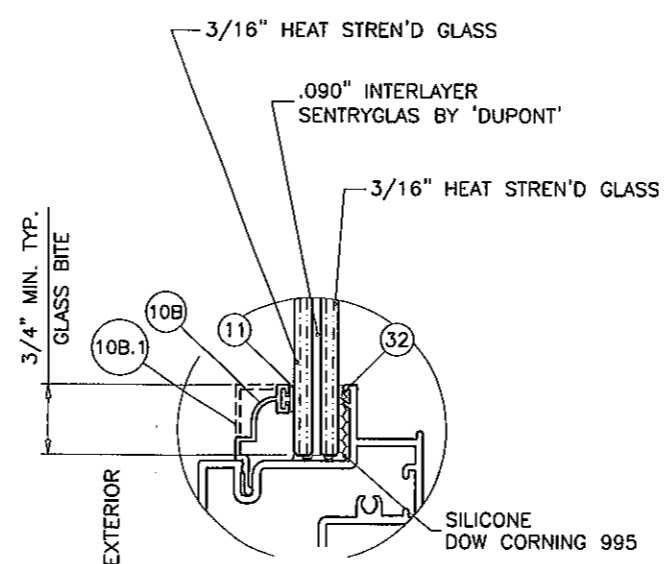
DESIGN LOAD CAPACITY - PSF					
WINDOW DIMS.		WITH CAM LOCKS		W/ MULTI POINT LOCKS	
		GLASS TYPES 'A', 'B', 'C' & 'D'		GLASS TYPES 'B', 'C' & 'D'	
WIDTH	HEIGHT	EXT.(+)	INT.(-)	EXT.(+)	INT.(-)
19-1/8"	74-1/4"	70.0	70.0	80.0	80.0
26-1/2"		54.4	54.4	80.0	80.0
32"		-	-	80.0	80.0
37"		-	-	80.0	80.0
19-1/8"	80"	58.6	58.6	80.0	80.0
26-1/2"		43.2	43.2	80.0	80.0
32"		-	-	80.0	80.0
37"		-	-	80.0	80.0
19-1/8"	84"	50.5	50.5	80.0	80.0
26-1/2"		37.1	37.1	80.0	80.0
32"		-	-	77.6	77.6



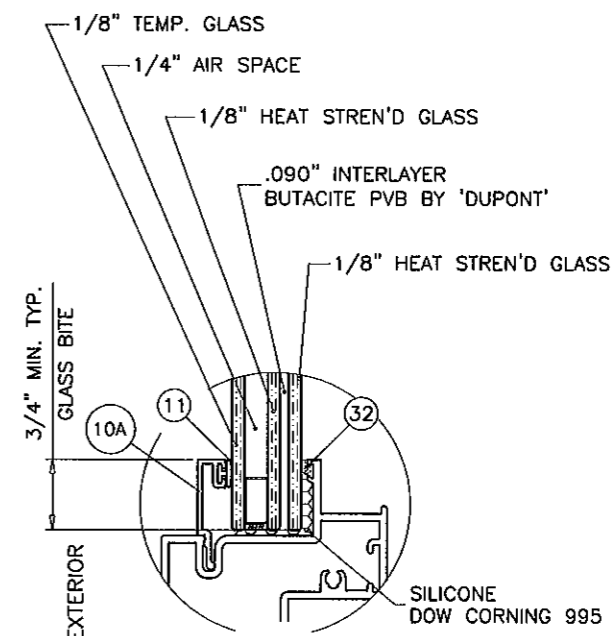
GLASS TYPE 'A'
11/32" OVERALL



GLASS TYPE 'B'
11/32" OVERALL



GLASS TYPE 'C'
7/16" OVERALL



GLASS TYPE 'D'
11/16" OVERALL

GLAZING OPTIONS

NOTE:
GLASS CAPACITIES ON THIS SHEET ARE
BASED ON ASTM E1300-04 (3 SEC. GUSTS)
AND FLORIDA BUILDING COMMISSION
DECLARATORY STATEMENT DCA05-DEC-219

Engr: JAVID, AHMAD
CIVIL
FLA. PE # 70592
C.A.N. 3538
JAN 3 2012

PRODUCT REVISED
as complying with the Florida
Building Code
Acceptance No 12-0223.20
Expiration Date FEB. 10, 2015
By: *Manuel Perez*
Miami Dade Product Control

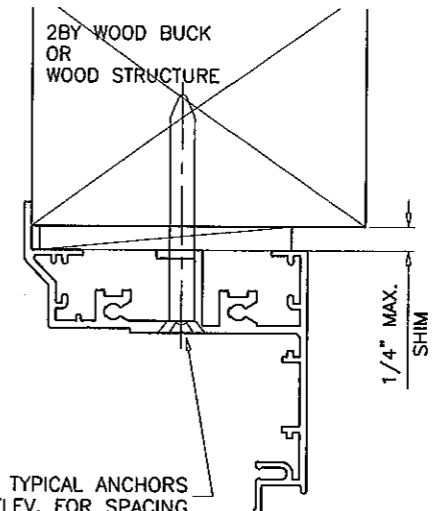
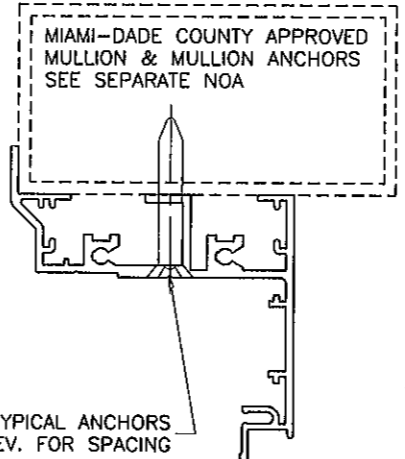
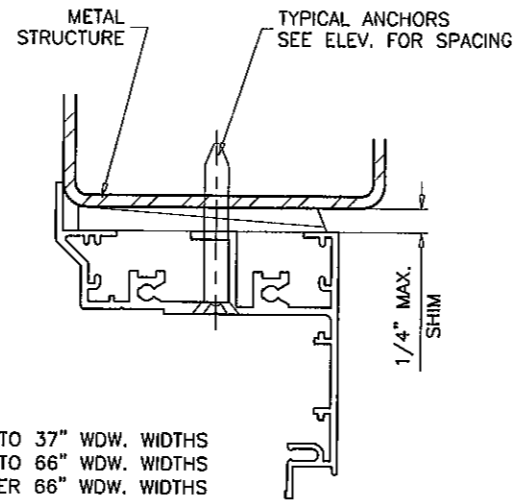
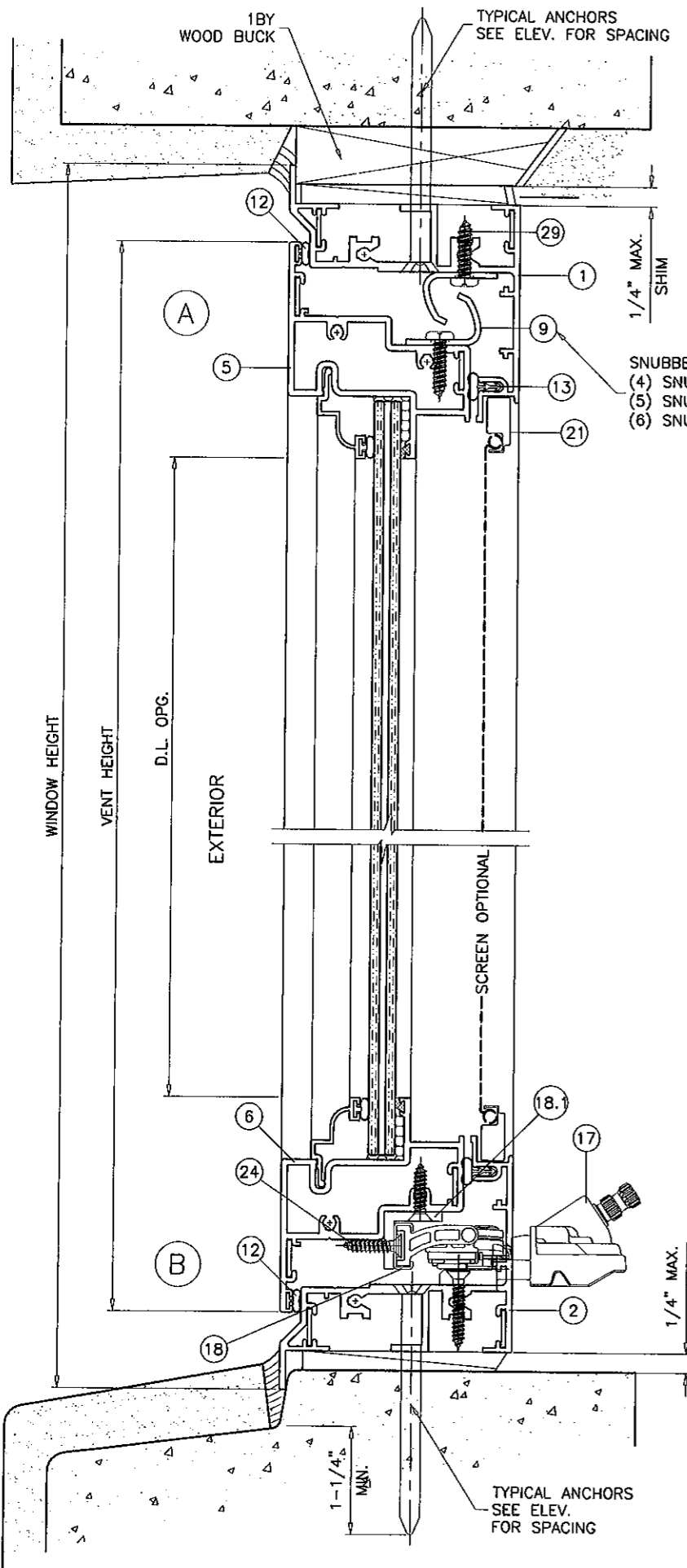
af c
AL-FAROOQ CORPORATION
ENGINEERS & PRODUCT DEVELOPMENT
1235 S.W. 87 AVE
MIAMI, FLORIDA 33174
TEL. (305) 264-8100 FAX. (305) 262-6978
COMP-ANL\W09-57SIW

S-450 ALUMINUM PROJECT OUT WD.W. (L.M.I.)
SIW IMPACT WINDOWS, LLC.
975 S. CONGRESS AVE. #102
DELRAY BEACH, FL. 33445
TEL. (561) 274-9392 FAX. (561) 274-9262

revisions:	no.	date	description
	A	01.2012	UPDATED TO 2010 FBC

date: 10-29-09
scale: 1/2" = 1"
dr. by: HAMID
chk. by:

drawing no.
W09-57
sheet 2 of 6



SNUBBERS
 (4) SNUBBERS UPTO 37" WDW. WIDTHS
 (5) SNUBBERS UPTO 66" WDW. WIDTHS
 (6) SNUBBERS OVER 66" WDW. WIDTHS

WOOD BUCKS AND METAL STRUCTURE NOT BY S.I.W. MUST SUSTAIN LOADS IMPOSED BY GLAZING SYSTEM AND TRANSFER THEM TO THE BUILDING STRUCTURE.

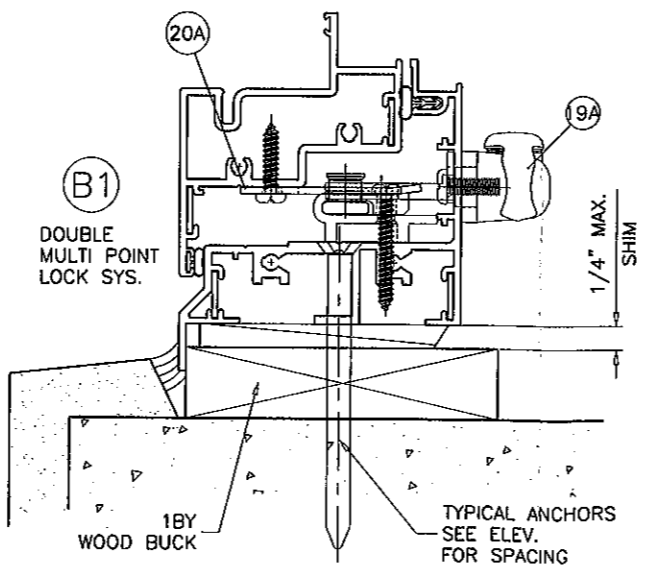
TYPICAL ANCHORS: SEE ELEV. FOR SPACING
 1/4" DIA. ULTRACON BY 'ELCO' (Fu=177 KSI, Fy=155 KSI)
 INTO 2BY WOOD BUCKS OR WOOD STRUCTURES
 1-3/8" MIN. PENETRATION INTO WOOD
 THRU 1BY BUCKS INTO CONC. OR MASONRY
 1-1/4" MIN. EMBED INTO CONC. OR MASONRY
 DIRECTLY INTO CONC. OR MASONRY
 1-1/4" MIN. EMBED INTO CONC. OR MASONRY

#14 SMS OR SELF DRILLING SCREWS (GRADE 2 CRS)
 INTO MIAMI-DADE COUNTY APPROVED MULLIONS (1/8" THK. MIN.)
 INTO METAL STRUCTURES
 STEEL : 12 GA. MIN. (Fy = 36 KSI MIN.)
 ALUMINUM : 1/8" THK. MIN. (6063-T5 MIN.)
 (STEEL IN CONTACT WITH ALUMINUM TO BE PLATED OR PAINTED)

TYPICAL EDGE DISTANCE
 INTO CONCRETE AND MASONRY = 2-1/2" MIN.
 INTO WOOD STRUCTURE = 1" MIN.
 INTO METAL STRUCTURE = 3/4" MIN.

CONCRETE AT HEAD, SILL OR JAMBS f'c = 3000 PSI MIN.
 C-90 HOLLOW/FILLED BLOCK AT JAMBS f'm = 2000 PSI MIN.

SEALANTS:
 ALL FRAME AND VENT CORNERS SEALED WITH SCHNEE MOREHEAD SM-5504 SEALANT.



Engr JAVAD AHMAD
 CIVIL
 FLA. PE # 70592
 C.A.N. 3538

JAN 3 2015

PRODUCT REVISED
 as complying with the Florida Building Code
 Acceptance No. 12-0223-20
 Expiration Date FEB. 10, 2015
 By: *Manuel Perez*
 Miami Dade Product Control

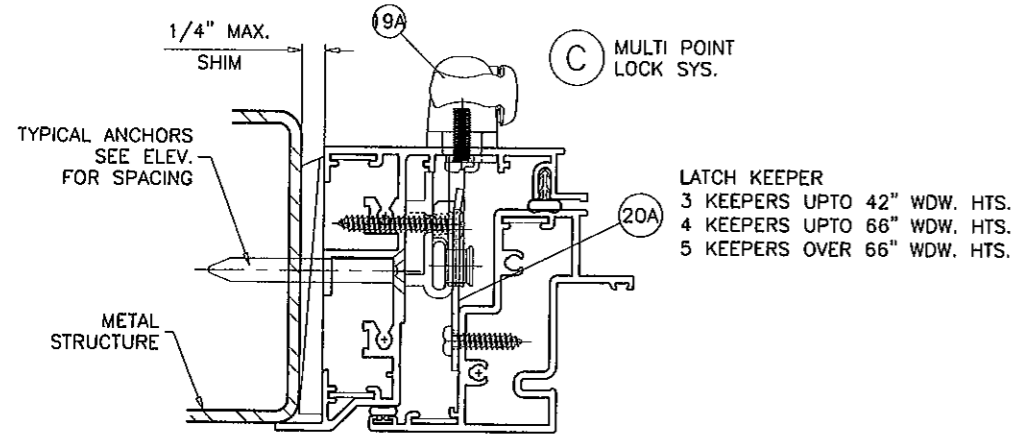
af c
AL-FAROOQ CORPORATION
 ENGINEERS & PRODUCT DEVELOPMENT
 1235 S.W. 87 AVE
 MIAMI, FLORIDA 33174
 TEL. (305) 264-8100 FAX. (305) 262-6978
 COMP-ANL\W09-57SIW

S-450 ALUMINUM PROJECT OUT WDW. (L.M.I.)
SIW IMPACT WINDOWS, LLC.
 975 S. CONGRESS AVE. #102
 DELRAY BEACH, FL. 33445
 TEL. (561) 274-9392 FAX. (561) 274-9262

no.	date	by	description
A	01.2012		NO CHANGE THIS SHEET

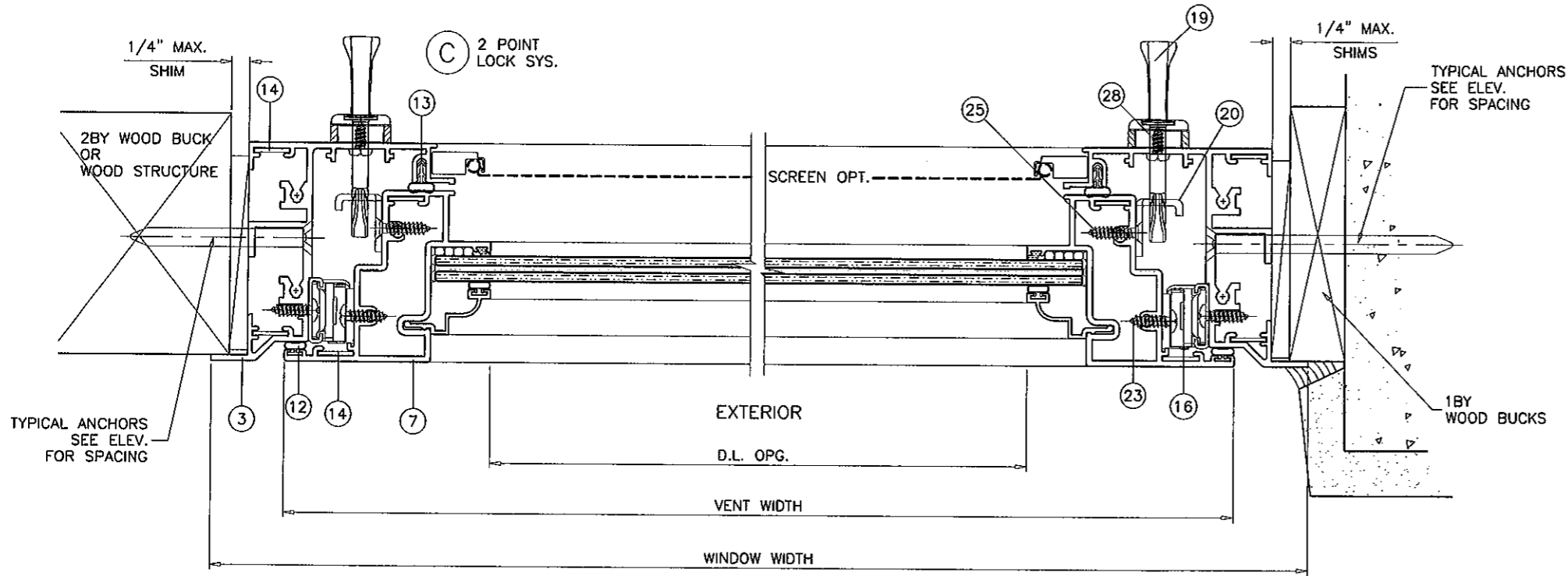
date: 10-29-09
 scale: 1/2" = 1"
 dr. by: HAMID
 chk. by:

drawing no.
W09-57
 sheet 3 of 6

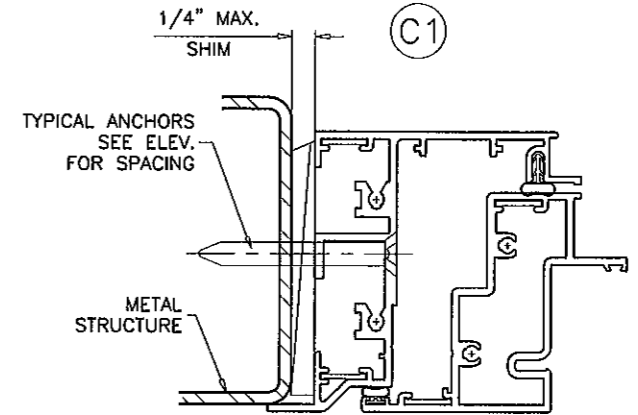


(C) MULTI POINT LOCK SYS.

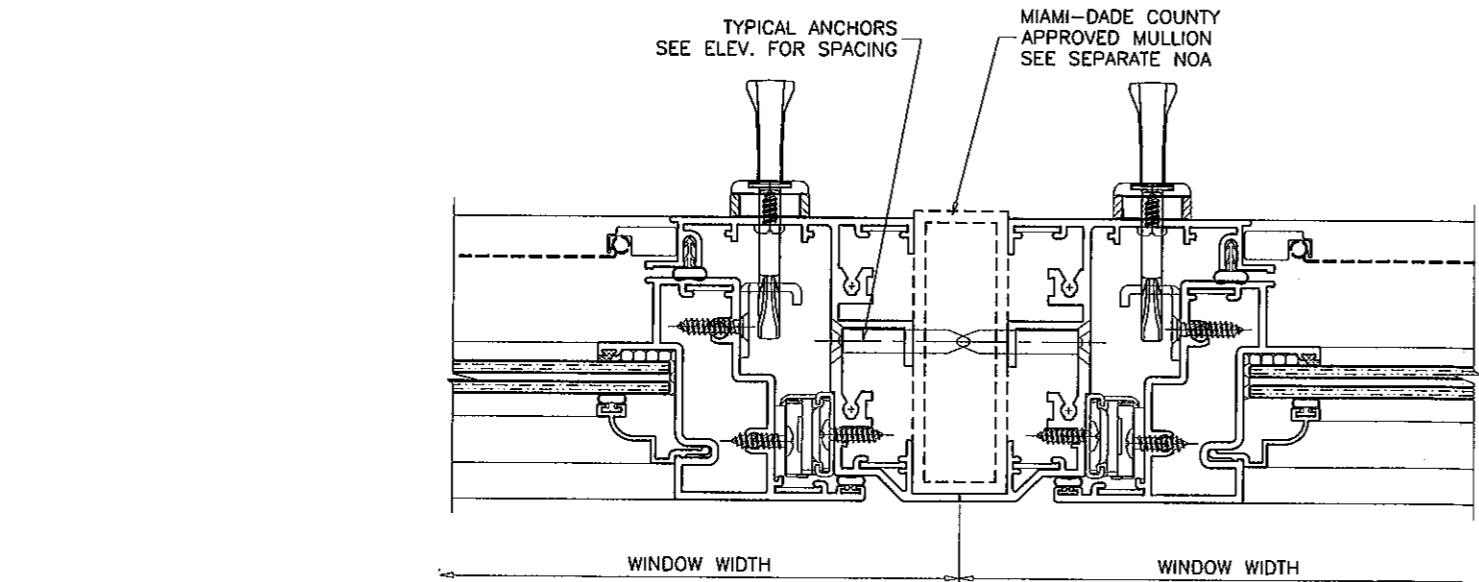
LATCH KEEPER
 3 KEEPERS UPTO 42" WDW. HTS.
 4 KEEPERS UPTO 66" WDW. HTS.
 5 KEEPERS OVER 66" WDW. HTS.



(C) 2 POINT LOCK SYS.



(C1)



Engr: JAVAD AHMAD
 CIVIL
 FLA. PE # 70592
 C.A.N. 3638

PRODUCT REVISED
 as complying with the Florida
 Building Code
 Acceptance No. 10-0223-20
 Expiration Date FEB. 10, 2015
 By: *Manuel Ruiz*
 Miami Dade Product Control

JAN 20 2012

af c
AL-FAROOQ CORPORATION
 ENGINEERS & PRODUCT DEVELOPMENT
 1235 S.W. 87 AVE
 MIAMI, FLORIDA 33174
 TEL. (305) 264-8100 FAX. (305) 262-6978
 COMP-ANL\W09-57SIW

S-450 ALUMINUM PROJECT OUT WDW. (L.M.I.)
SIW IMPACT WINDOWS, LLC.
 975 S. CONGRESS AVE. #102
 DELRAY BEACH, FL. 33445
 TEL. (561) 274-9392 FAX. (561) 274-9262

revisions:	no.	date	by	description
	A	01.2012		NO CHANGE THIS SHEET

date: 10-29-09
 scale: 1/2" = 1"
 dr. by: HAMID
 chk. by:

drawing no.
W09-57
 sheet 4 of 6

ITEM NO.	PART NO.	QUANTITY	DESCRIPTION	MATERIAL	MANF./SUPPLIER/REMARKS
1	SIW401	1	FRAME HEAD	6063-T6	-
2	SIW401	1	FRAME SILL	6063-T6	-
3	SIW401	1	FRAME JAMB	6063-T6	-
5	SIW402	1	VENT TOP RAIL	6063-T6	-
6	SIW402	1	VENT BOTTOM RAIL	6063-T6	-
7	SIW402	1	VENT SIDE RAIL	6063-T6	-
9	23138	AS REQD.	SNUBBER	ST. STEEL	TRUTH HARDWARE
10	SIW112	AS REQD.	GLAZING BEAD (5/16" GLASS)	6063-T6	-
10.1	SIW128	AS REQD.	ALT. GLAZING BEAD (5/16" GLASS)	6063-T6	-
10A	SIW117	AS REQD.	GLAZING BEAD (11/16" INSUL. GLASS)	6063-T6	-
10B	SIW108	AS REQD.	GLAZING BEAD (7/16" GLASS)	6063-T6	-
10B.1	-	AS REQD.	ALT. GLAZING BEAD (7/16" GLASS)	6063-T6	-
11	5531	AS REQD.	EXT. GLAZING SPACER	SANTOPRENE	CENTRAL PLASTICS
12	9302	AS REQD.	OUTER COMPRESSION SEAL	-	CENTRAL PLASTICS
13	APT425	AS REQD.	INNER COMPRESSION SEAL	-	SCHLEGEL SYSTEMS
14	PJS40-SS	2/ CORNER	CORNER LOCK	ST. STEEL	SULLIVAN & ASSOCIATES
16	35.13	2/ WDW	4 BAR HINGES-HEAVY DUTY	ST. STEEL	TRUTH HARDWARE
17	51.1	1/ WDW	AWNING OPERATOR	-	TRUTH HARDWARE
17.1	32658	1	OPERATOR GASKET .062	-	TRUTH HARDWARE
17.2	32833	1	OPERATOR SPACER .236	-	TRUTH HARDWARE
18	41015	1/ OPER.	TRACK	ST. STEEL	TRUTH HARDWARE
18.1	-	1/ OPER.	3/4" X 3/4" X 1/8" ANGLE	ALUMINUM	-
19	24.25	2/ VENT	LOCK ASSEMBLY (SINGLE POINT LOCK SYS.)	-	TRUTH HARDWARE
19.1	21496	2/ VENT	SPACER (SINGLE POINT LOCK SYS.)	-	TRUTH HARDWARE
19A	24.23	2/ VENT	LOCK ASSEMBLY (MULTI POINT LOCK SYS.)	-	TRUTH HARDWARE
19A.1	21709	2/ VENT	SPACER (MULTI POINT LOCK SYS.)	-	TRUTH HARDWARE
19A.2	21600	1/ LOCK	SUPPORT PLATE (MULTI POINT LOCK SYS.)	-	TRUTH HARDWARE
20	31384	1/ LOCK	KEEPER (SINGLE POINT LOCK)	ST. STEEL	TRUTH HARDWARE
20A	31301	AS REQD.	KEEPER (MULTI POINT LOCK)	-	TRUTH HARDWARE
20A.1	24 SERIES	1	INTERLOCK ROLLER TIE BAR (MULTI POINT LOCK)	-	TRUTH HARDWARE
20A.2	32824	AS REQD.	TIE BAR GUIDE (MULTI POINT LOCK)	-	TRUTH HARDWARE
20A.3	-	2/ GUIDE	TIE BAR GUIDE MOUNTING SCREWS (MULTI POINT LOCK)	-	#10 X 1-1/4" FH SMS
21	-	1	5/16" BOX SCREEN	-	OPTIONAL
22	-	2/ CORNER	FRAME & VENT ASSY. SCREWS	CRS	#10 x 1-1/4" FH SMS
23	-	6/HINGE	HINGE MOUNTING SCREWS	-	#10 x 3/4" FH SMS
24	-	2/OPERATOR	OPERATOR TRACK MTG. SCREWS	-	#10 x 3/4" FH SMS
25	-	2/KEEPER	KEEPER MOUNTING SCREWS	-	#10 x 3/4" FH SMS
27	-	6/OPERATOR	OPERATOR MOUNTING SCREWS	-	#10 X 1-1/4" FH SMS
28	-	2/LOCK	LOCK ASSEMBLY MOUNTING SCREWS	-	#10-24 X 1/2" FH MS TYPE F
29	-	2/SNUBBER	SNUBBER MTG. SCREW	-	#10 x 3/4" FH SMS
32	5530	AS REQD.	INTERIOR GLAZING SPACER	SANTOPRENE	CENTRAL PLASTICS

afC
AL-FAROOQ CORPORATION
ENGINEERS & PRODUCT DEVELOPMENT
1235 S.W. 87 AVE
MIAMI, FLORIDA 33174
TEL. (305) 264-8100 FAX. (305) 262-6978
COMP-ANL\W09-57SIW

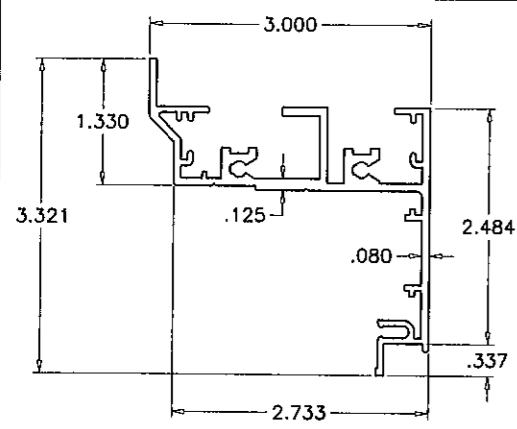
S-450 ALUMINUM PROJECT OUT WDW. (L.M.I.)
SIW IMPACT WINDOWS, LLC.
975 S. CONGRESS AVE. #102
DELRAY BEACH, FL. 33445
TEL. (561) 274-9392 FAX. (561) 274-9262

no	date	by	description
A	01.2012		NO CHANGE THIS SHEET

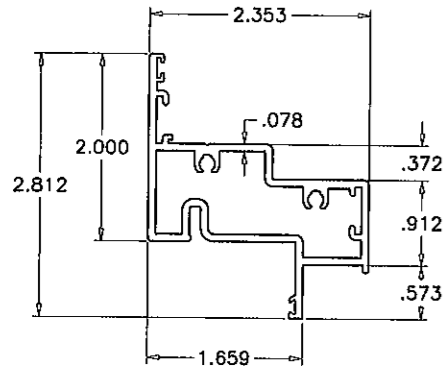
Engr: JAVAD AHMAD
CIVIL
FLA. PE # 70592
C.A.N. 3536
JAN 30 2012

PRODUCT REVISED
as complying with the Florida
Building Code
Acceptance No 12-0223.20
Expiration Date FEB 10 2015
Manuel Perez
Trade Product Control

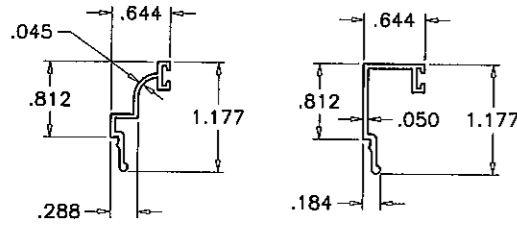
date: 10-29-09
scale: 1/2" = 1"
dr. by: HAMID
chk. by:
drawing no.
W09-57
sheet 5 of 6



① FRAME

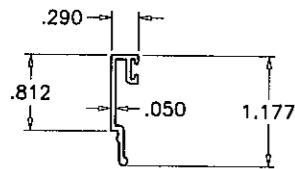


② VENT

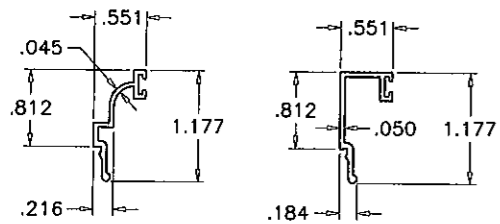


⑩ GLAZING BEADS (5/16" GLASS)

⑩.1

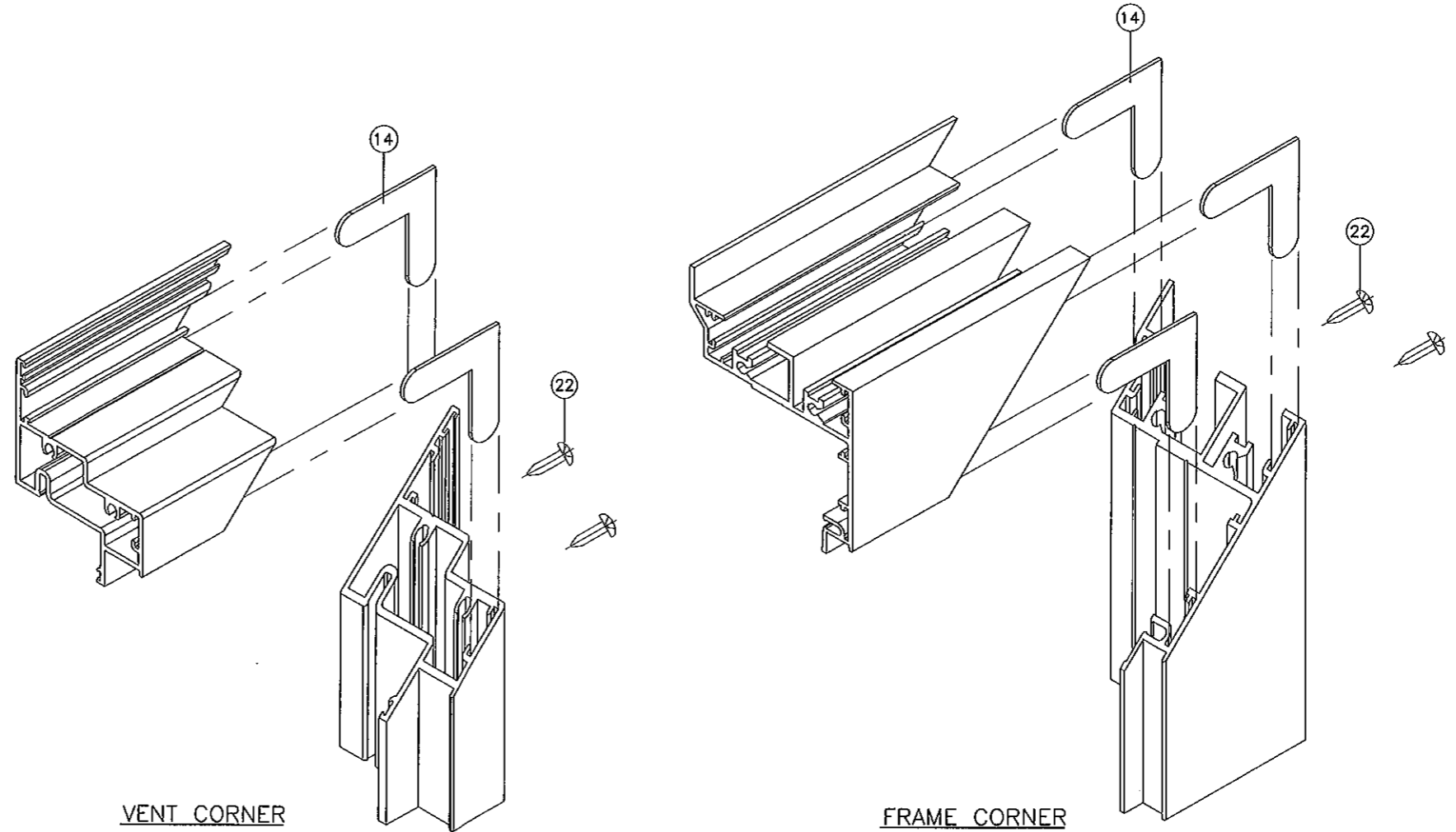


⑩A GLAZING BEAD (11/16" INSUL. GLASS)



⑩B GLAZING BEADS (7/16" GLASS)

⑩B.1



VENT CORNER

FRAME CORNER

Engr: JAVAD AHMAD
CIVIL
FLA. PE # 70592
C.A.N. 3538
JAN 30 2012

PRODUCT REVISED
as complying with the Florida
Building Code
Acceptance No 12-0703.10
Expiration Date FEB. 10, 2015
By *Manuel Perez*
Miami Dade Product Control

afc

AL-FAROOQ CORPORATION
ENGINEERS & PRODUCT DEVELOPMENT
1235 S.W. 87 AVE
MIAMI, FLORIDA 33174
TEL. (305) 264-8100 FAX. (305) 262-6978
COMP - ANL \ W09 - 57SIW

S-450 ALUMINUM PROJECT OUT WDW. (L.M.I.)
SIW IMPACT WINDOWS, LLC.
975 S. CONGRESS AVE. #102
DELRAY BEACH, FL. 33445
TEL. (561) 274-9392 FAX. (561) 274-9262

no	date	by	description
A	01.2012		NO CHANGE THIS SHEET

date: 10-29-09
scale: 1/2" = 1"
dr. by: HAMID
chk. by:

drawing no.
W09-57
sheet 6 of 6