



DEPARTMENT OF PERMITTING, ENVIRONMENT, AND REGULATORY
AFFAIRS (PERA)
BOARD AND CODE ADMINISTRATION DIVISION
NOTICE OF ACCEPTANCE (NOA)

MIAMI-DADE COUNTY
PRODUCT CONTROL SECTION
11805 SW 26 Street, Room 208
Miami, Florida 33175-2474
T (786) 315-2590 F (786) 315-2599
www.miamidade.gov/pera/

Security Impact Windows, LLC
975 S. Congress Ave. # 102
Delray Beach, Florida 33445

SCOPE:

This NOA is being issued under the applicable rules and regulations governing the use of construction materials. The documentation submitted has been reviewed and accepted by Miami-Dade County PERA -Product Control Section to be used in Miami Dade County and other areas where allowed by the Authority Having Jurisdiction (AHJ).

This NOA shall not be valid after the expiration date stated below. The Miami-Dade County Product Control Section (In Miami Dade County) and/or the AHJ (in areas other than Miami Dade County) reserve the right to have this product or material tested for quality assurance purposes. If this product or material fails to perform in the accepted manner, the manufacturer will incur the expense of such testing and the AHJ may immediately revoke, modify, or suspend the use of such product or material within their jurisdiction. PERA reserves the right to revoke this acceptance, if it is determined by Miami-Dade County Product Control Section that this product or material fails to meet the requirements of the applicable building code.

This product is approved as described herein, and has been designed to comply with the Florida Building Code, including the High Velocity Hurricane Zone.

DESCRIPTION: Series "525 " Aluminum Inswing Doors

APPROVAL DOCUMENT: Drawing No. **W08-32 Rev B**, titled "Series 525 Alum Inswing Entrance Door", sheets 1 through 7 of 7 dated 03-25-08 and last revised on MAY 14, 2012, prepared by Al-Farooq Corporation, signed and sealed by Javad Ahmad, P. E., bearing the Miami-Dade County Product Control Revision stamp with the Notice of Acceptance number and expiration date by the Miami-Dade County Product Control Section.

MISSILE IMPACT RATING: Large and Small Missile Impact

Limitations:

1. See Design Pressure ratings in sheet 2 for unit sizes Vs glazing option.
2. See lock options in sheet 6.
3. Elco 5/16" Ultracons anchors applicable at ADA sill only (see sheets 2 & 3 for details)
4. Standard & ADA sill (threshold) are **not** rated for water infiltration

LABELING: Each unit shall bear a permanent label with the manufacturer's name or logo, city, state and series and following statement: "Miami-Dade County Product Control Approved", noted herein.

RENEWAL of this NOA shall be considered after a renewal application has been filed and there has been no change in the applicable building code negatively affecting the performance of this product.

TERMINATION of this NOA will occur after the expiration date or if there has been a revision or change in the materials, use, and/or manufacture of the product or process. Misuse of this NOA as an endorsement of any product, for sales, advertising or any other purposes shall automatically terminate this NOA. Failure to comply with any section of this NOA shall be cause for termination and removal of NOA.

ADVERTISEMENT: The NOA number preceded by the words Miami-Dade County, Florida, and followed by the expiration date may be displayed in advertising literature. If any portion of the NOA is displayed, then it shall be done in its entirety.

INSPECTION: A copy of this entire NOA shall be provided to the user by the manufacturer or its distributors and shall be available for inspection at the job site at the request of the Building Official.

This NOA revises NOA # 08-0331.02 and consists of this page 1 and evidence pages E-1, as well as approval document mentioned above.

The submitted documentation was reviewed by **Ishaq I. Chanda, P.E.**

5/16/12



NOA No 12-0223.23
Expiration Date: January 27, 2015
Approval Date: May 24, 2012
Page 1

NOTICE OF ACCEPTANCE: EVIDENCE SUBMITTED

A. DRAWINGS

1. Manufacturer's die drawings and sections (transferred from file # **08-0331.02**)
2. Drawing No. **W08-32 Rev B**, titled "Series 525 Alum Inswing Entrance Door", sheets 1 through 7 of 7 dated 03-25-08 and last revised on MAY 14, 2012, prepared by Al-Farooq Corporation, signed and sealed by Javad Ahmad, P.E.

Note: This revision consists of FBC 2010 notes only.

B. TESTS (transferred from file # **08-0331.02)**

1. Test reports on 1) Air Infiltration Test, per FBC, TAS 202-94
2) Uniform Static Air Pressure Test, Loading per FBC TAS 202-94
3) Water Resistance Test, per FBC, TAS 202-94(Not Performed)
4) Large Missile Impact Test per FBC, TAS 201-94
5) Cyclic Wind Pressure Loading per FBC, TAS 203-94
6) Forced Entry Test, per FBC 2411 3.2.1 and TAS 202-94

Along with installation diagram of aluminum Inswing / Outswing doors w/wo sidelite and transom, prepared by Hurricane Engineering and Testing, Test Report No. HETI 07-4339, HETI 07-4371, HETI 07-4371, HETI 07-4372, HETI 07-4373 and HETI 07-4374 dated 01/03/08, HETI-08-2184A & B dated 10/01/08, HETI 09-2572A, HETI 09-2573 dated June 30, 2009, all signed and sealed by Candido Font, P.E.

C. CALCULATIONS

1. Anchor verification calculations complying with FBC2010, prepared by Al Farooq Corporation, dated May 14, 2012, signed and sealed by Javad Ahmad, P.E.
2. Anchor verification calculations and comparative analysis, complying with FBC-2007, prepared by Al Farooq Corporation, dated 10-15-09 and last revised on 12-01-09, signed and sealed by Arshad Viqar, P.E. (transferred from file # **08-0331.02**)
3. Glazing complies w/ ASTME-1300-02 & -04

D. QUALITY ASSURANCE

1. Miami Dade Department of Permitting, Environment, and Regulatory Affairs (PERA).

E. MATERIAL CERTIFICATIONS

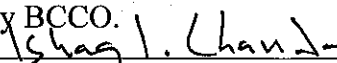
1. Notice of Acceptance No. **11-0624.02** issued to E.I. DuPont DeNemours & Co., Inc. for their "DuPont Sentry Glass @ interlayer", expiring on 01/14/17.
2. Notice of Acceptance No. **11-0325.05** issued to Solutia, for "Saflex clear & color interlayer", expiring on 05/21/2016.

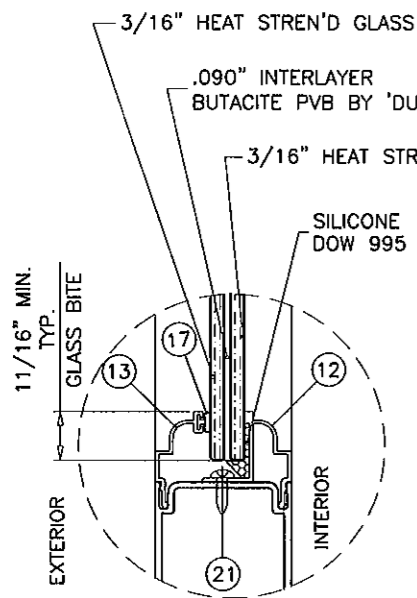
F. STATEMENTS

1. Statement letter of conformance to FBC 2010 and letter of no financial interest, prepared by Al Farooq Corporation, dated 01/17/12, signed and sealed by Javad Ahmad, P.E.
2. Statement letter of conformance to FBC 2007 and letter of no financial interest, prepared by Al Farooq Corporation, 10/19/09, signed & sealed by Arshad Viqar, P.E.
3. Lab compliance as part of the above referenced test report.
4. Addendum letter ref HETI-07-4374 dated May 06, 2008, issued by HETI, signed and sealed by Candido Font, P.E.

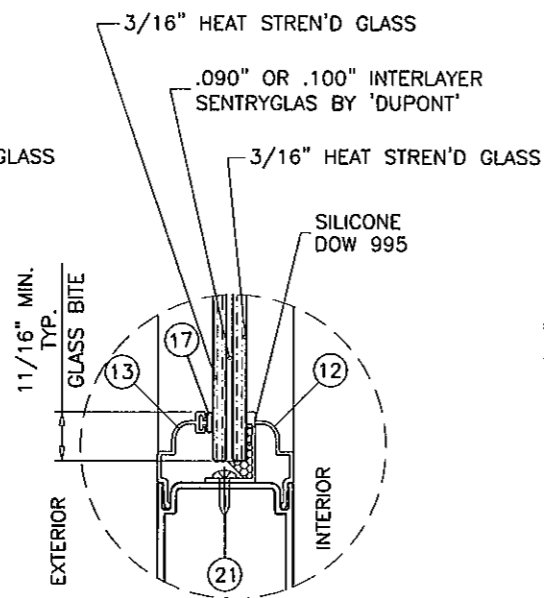
G. OTHER

1. This NOA **revises** NOA # **08-0331.02**, expiring on 01/27/15.
2. Test proposal dated 05/01/08 approved by BCCO.
3. Test proposal #07-3758 dated Dec 05, 2007 approved by BCCO.

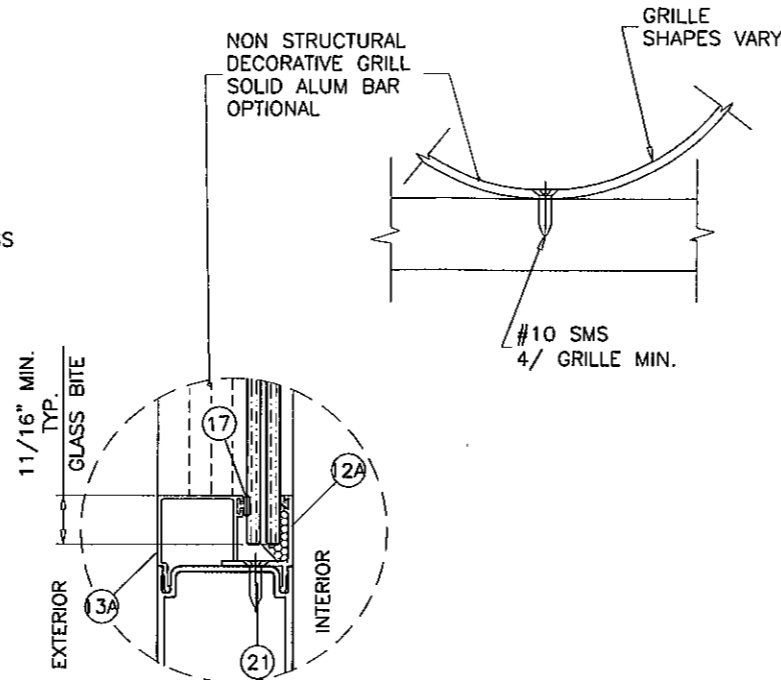

Ishaq I. Chanda, P.E.
Product Control Examiner
NOA No 12-0223.23
Expiration Date: January 27, 2015
Approval Date: May 24, 2012



GLASS TYPE 'A'
7/16" OVERALL LAM. GLASS



GLASS TYPE 'B'
7/16" OVERALL LAM. GLASS



ALTERNATE GLAZING DETAIL
GLASS TYPES 'A' & 'B'

PRODUCT REVISED
to comply with the Florida
Building Code
Approval No. 12-0223.23
Expiration Date: JAN 27, 2015
By: *Shay L. Chanda*
Shay L. Chanda Product Control

THESE DOORS ARE RATED FOR LARGE & SMALL MISSILE IMPACT.
SHUTTERS ARE NOT REQUIRED.

SERIES 525
ALUMINUM INSWING ENTRANCE DOOR

DOORS NOT APPROVED FOR INSTALLATIONS WHERE WATER INFILTRATION RESISTANCE IS REQUIRED.

THIS PRODUCT HAS BEEN DESIGNED AND TESTED TO COMPLY WITH THE REQUIREMENTS OF THE FLORIDA BUILDING CODE INCLUDING HIGH VELOCITY HURRICANE ZONE (HVHZ).

WOOD BUCKS BY OTHERS, MUST BE ANCHORED PROPERLY TO TRANSFER LOADS TO THE STRUCTURE.

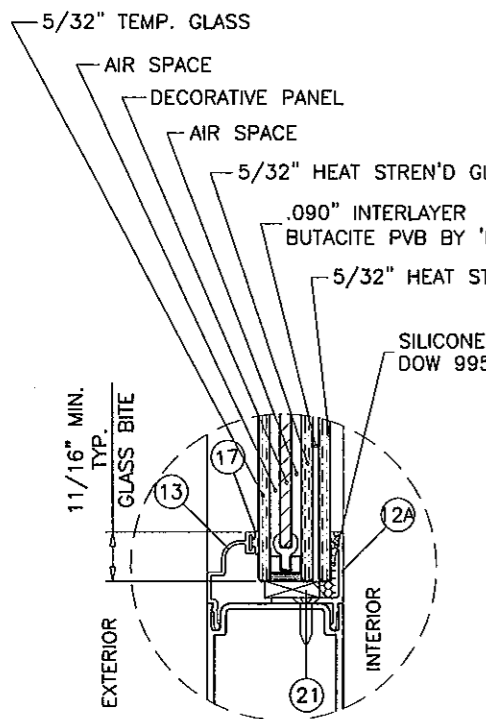
ANCHORS SHALL BE AS LISTED, SPACED AS SHOWN ON DETAILS, ANCHORS EMBEDMENT TO BASE MATERIAL SHALL BE BEYOND WALL DRESSING OR STUCCO.

ANCHORING OR LOADING CONDITIONS NOT SHOWN IN THESE DETAILS ARE NOT PART OF THIS APPROVAL.

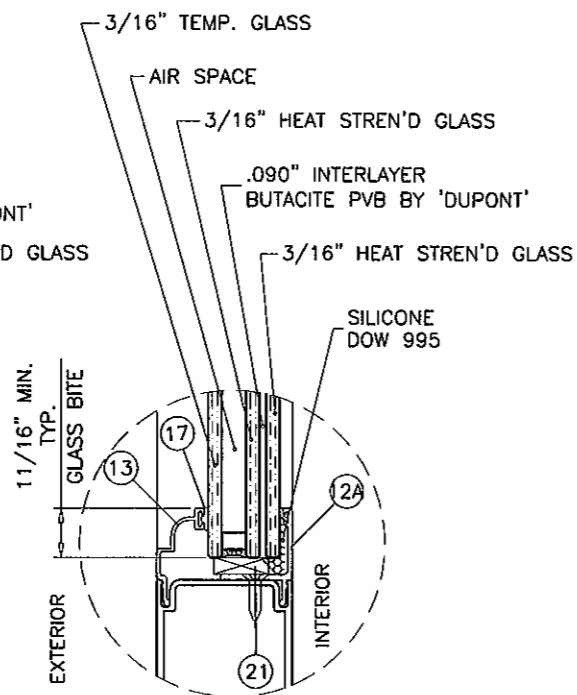
A LOAD DURATION INCREASE IS USED IN DESIGN OF ANCHORS INTO WOOD ONLY.

MATERIALS INCLUDING BUT NOT LIMITED TO STEEL/METAL SCREWS, THAT COME INTO CONTACT WITH OTHER DISSIMILAR MATERIALS SHALL MEET THE REQUIREMENTS OF THE FLORIDA BLDG. CODE SECTION 2003.8.4.

Engr: JAVAD AHMAD
CIVIL
FLA. PE # 70592
C.A.N. 3538
[Signature]
MAY 14 2012



GLASS TYPE 'C'
1" OVERALL LAM. INSUL. GLASS



GLASS TYPE 'D'
1" OVERALL LAM. INSUL. GLASS

GLAZING OPTIONS

af c
AL-FAROOQ CORPORATION
ENGINEERS & PRODUCT DEVELOPMENT
12395 S.W. 87 AVE
MIAMI, FLORIDA 33174
TEL. (305) 264-8400 FAX. (305) 262-6978
COMP-ANL\W08-32SIW

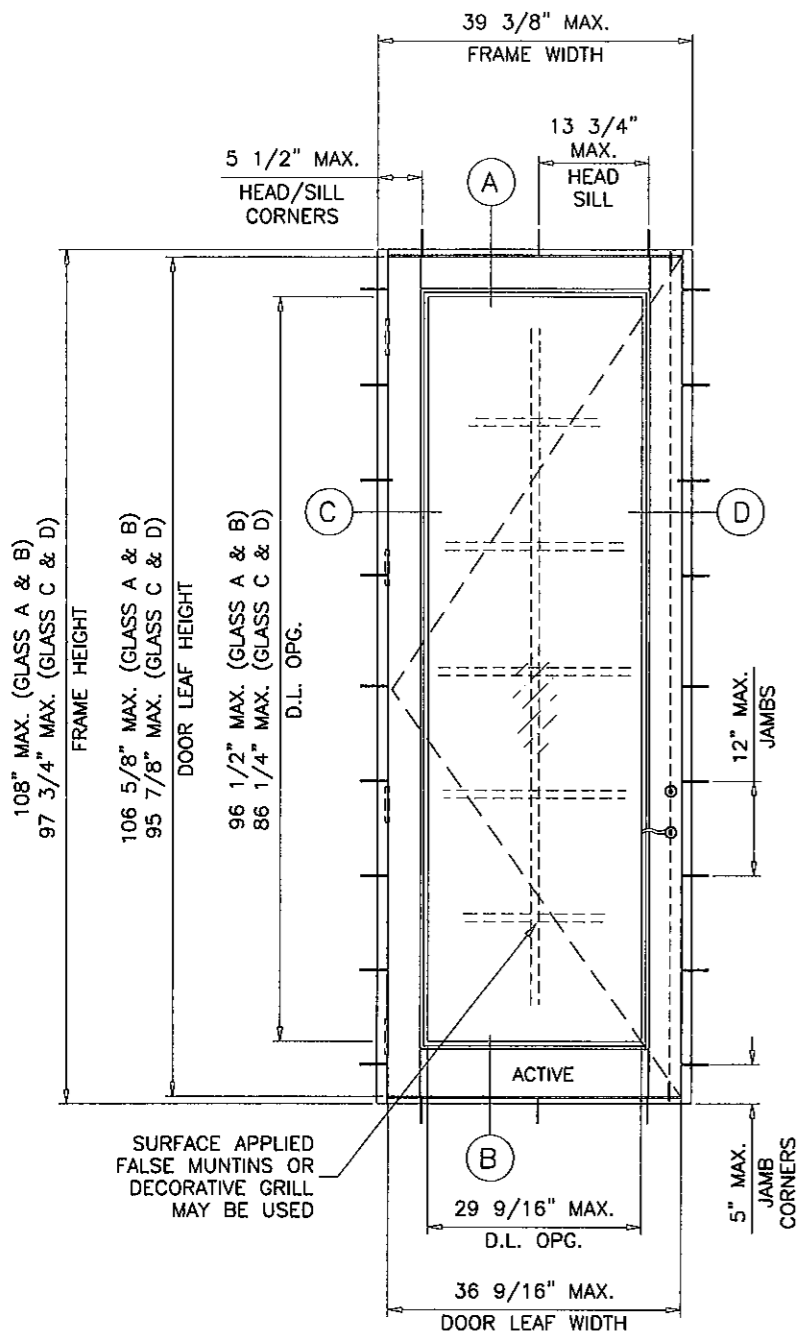
SERIES 525 ALUM INSWING ENTRANCE DOOR (L.M.I.)
SIW IMPACT WINDOWS, LLC.
975 S. CONGRESS AVE. #102
DELRAY BEACH, FL. 33445
TEL. (561) 274-9392 FAX. (561) 274-9262

no	date	by	description
A	11.25.09		REV. PER BCCO COMMENTS
B	01.20.12		UPDATED TO 2010 FBC

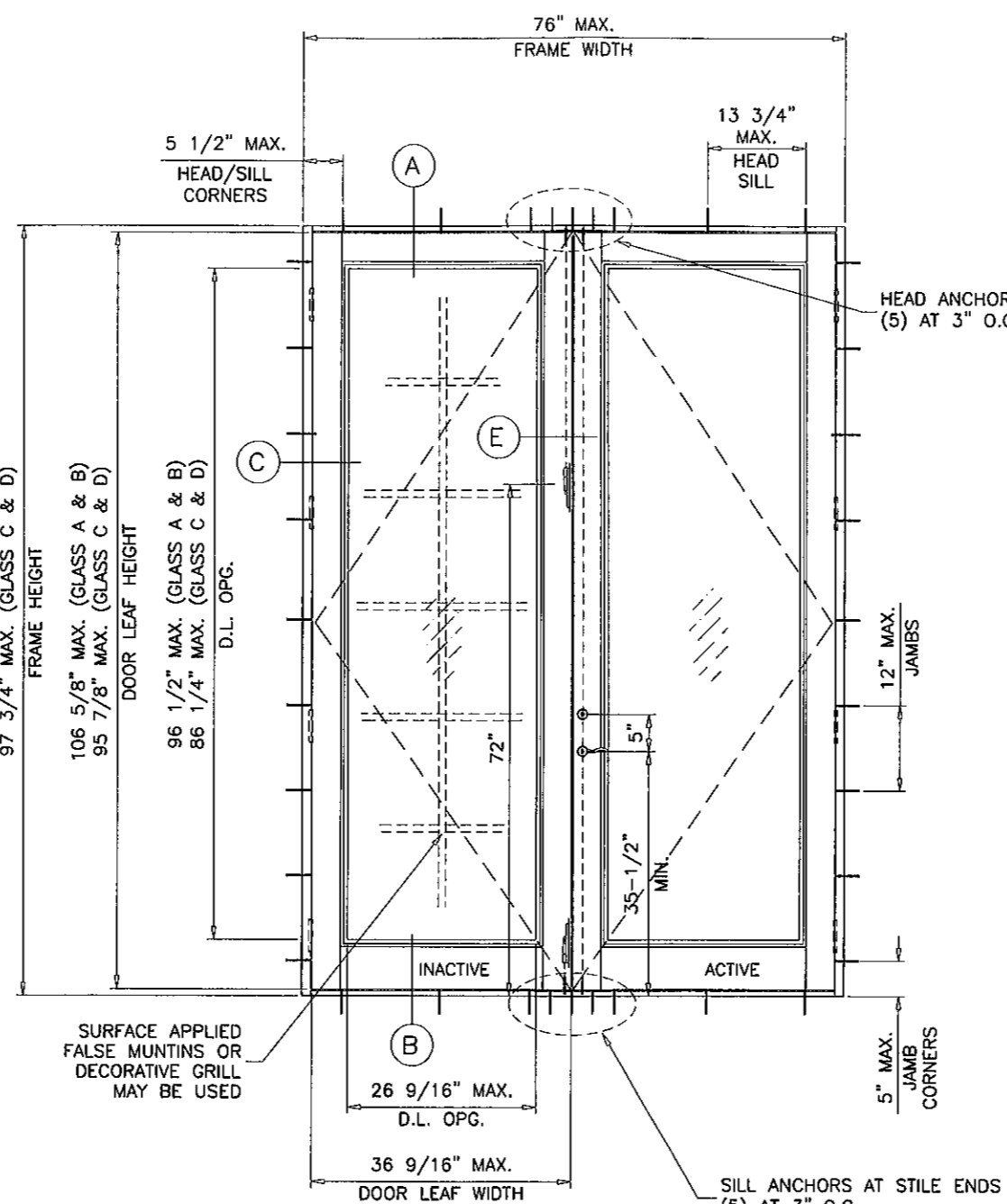
date: 03-25-08
scale: 3/8" = 1"
dr. by: HAMID
chk. by:

drawing no.
W08-32

sheet 1 of 7



(X)

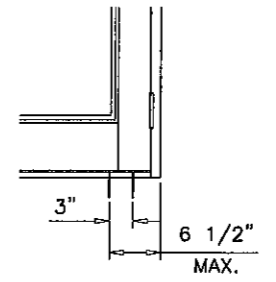


(XX)

HEAD ANCHORS AT STILE ENDS (5) AT 3" O.C.

SEE SHEET 6 FOR LOCKING OPTIONS AT ACTIVE & INACTIVE LEAFS.

NOTE: FLUSH BOLTS AND LOCKS MUST BE ENGAGED TO HEAD AND SILL DURING PERIODS OF HURRICANE WARNING.



SILL CORNER ANCHORS AT ADA THRESHOLD ONLY SEE SHEET 3 FOR DETAIL

PRODUCT REVISED in complying with the Florida Building Code
 Acceptance No 12-0223-23
 Expiration Date 01/27/15
 by Javad Ahmad
 Miami Dade Product Control

DOORS LOAD CAPACITY - PSF SINGLE DOORS (X)							
DOOR DIMS.		GLASS TYPE 'A'		GLASS TYPE 'B'		GLASS TYPES 'C' & 'D'	
FRAME WIDTH	FRAME HEIGHT	EXT.(+)	INT.(-)	EXT.(+)	INT.(-)	EXT.(+)	INT.(-)
39-3/8"	97-3/4"	70.0	70.0	80.0	80.0	60.0	60.0
39-3/8"	108"	70.0	70.0	80.0	80.0	-	-

DOORS LOAD CAPACITY - PSF DOUBLE DOORS (XX)							
DOOR DIMS.		GLASS TYPE 'A'		GLASS TYPE 'B'		GLASS TYPES 'C' & 'D'	
FRAME WIDTH	FRAME HEIGHT	EXT.(+)	INT.(-)	EXT.(+)	INT.(-)	EXT.(+)	INT.(-)
76"	97-3/4"	70.0	70.0	80.0	80.0	60.0	60.0
76"	108"	70.0	70.0	80.0	80.0	-	-

NOTE: GLASS CAPACITIES ON THIS SHEET ARE BASED ON ASTM E1300-04 (3 SEC. GUSTS) AND FLORIDA BUILDING COMMISSION DECLARATORY STATEMENT DCA05-DEC-219

LEAF HEIGHT = FRAME HEIGHT - 1.375"
 LEAF WIDTH = FRAME WIDTH - 2.812"
 D.L.O. HEIGHT (DOOR) = LEAF HEIGHT - 12" (4" TOP RAIL, 6" BOT. RAIL)
 D.L.O. WIDTH (DOOR) = LEAF WIDTH - 7"

NOTE: VERIFY COMPLIANCE WITH EGRESS LIMITATIONS WHERE REQUIRED.

Engr: JAVAD AHMAD
 CIVIL
 FLA. PE # 70592
 C.A.N. 3538
 MAY 14 2012

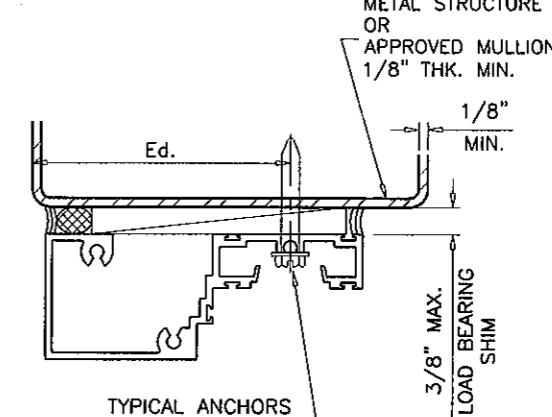
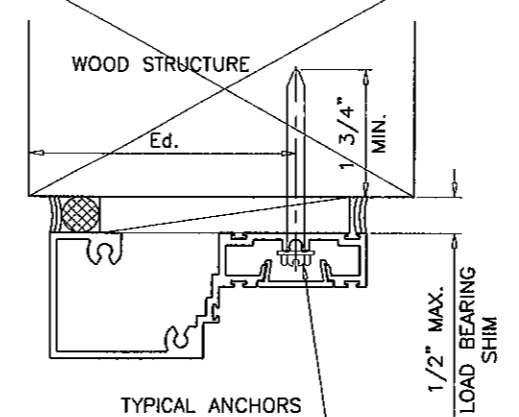
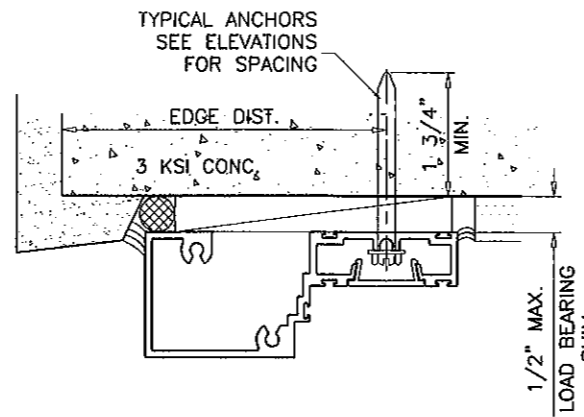
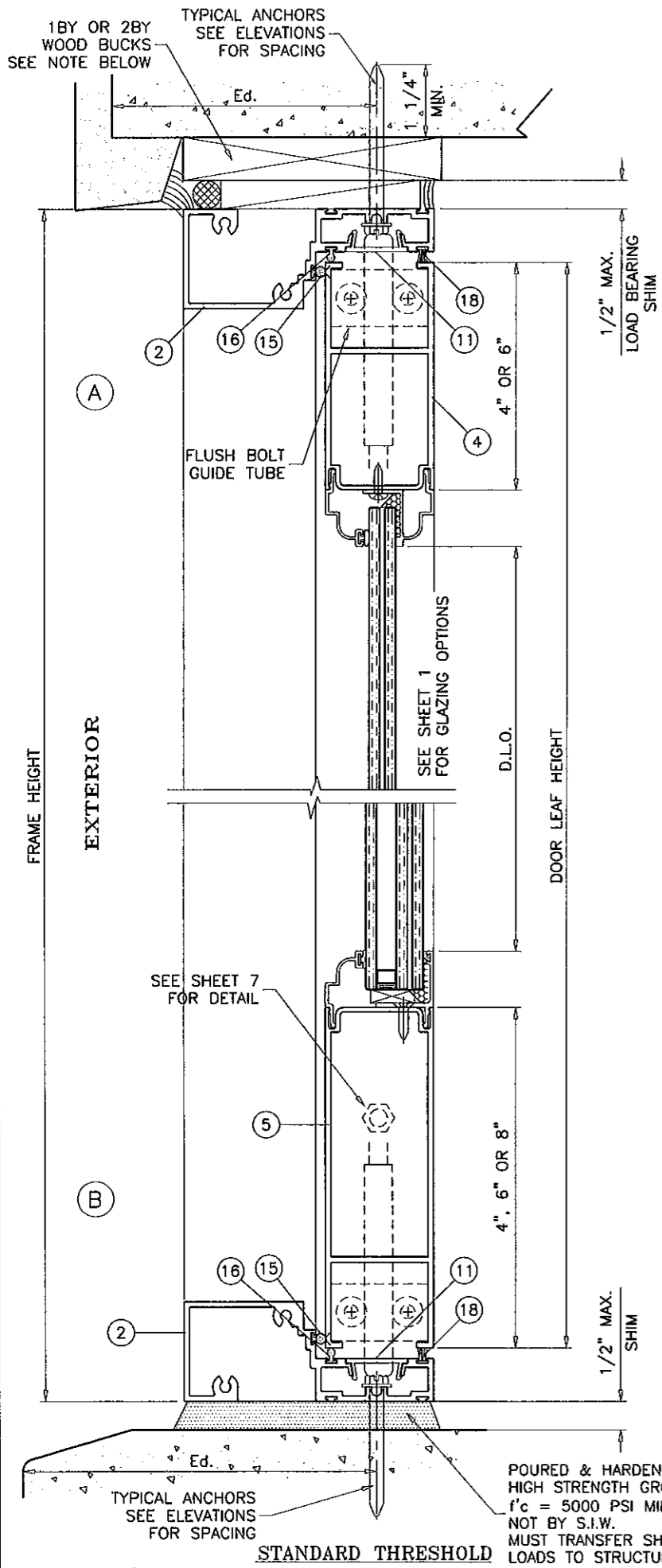
af c
AL-FAROOQ CORPORATION
 ENGINEERS & PRODUCT DEVELOPMENT
 1235 S.W. 87 AVE
 MIAMI, FLORIDA 33174
 TEL. (305) 264-8100 FAX. (305) 262-6978
 COMP-ANL W08-32SIW

SERIES 525 ALUM INSWING ENTRANCE DOOR (L.M.I.)
SIW IMPACT WINDOWS, LLC.
 975 S. CONGRESS AVE. #102
 DELRAY BEACH, FL. 33445
 TEL. (561) 274-9392 FAX. (561) 274-9262

no.	date	description
A	11.25.09	REV. PER BCCO COMMENTS
B	01.20.12	NO CHANGE THIS SHEET

date: 03-25-08
 scale: 1/2"=1'-0"
 dr. by: HAMID
 chk. by:

drawing no.
W08-32
 sheet 2 of 7



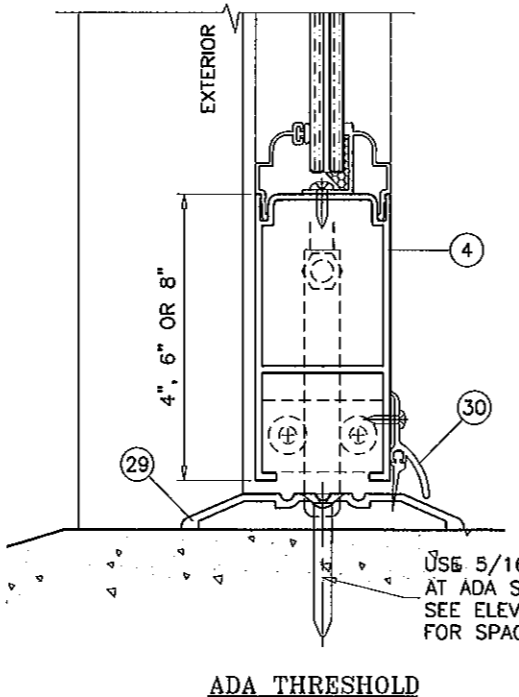
TYPICAL ANCHORS: SEE ELEV. FOR SPACING

ANCHORS TYPE	SUBSTRATE	AT HEAD		AT STD. SILL		AT ADA. SILL		AT JAMBS	
		MIN. EMBED.	MIN. EDGE DIST.	MIN. EMBED.	MIN. EDGE DIST.	MIN. EMBED.	MIN. EDGE DIST.	MIN. EMBED.	MIN. EDGE DIST.
1/4" DIA. ULTRACONS BY 'ELCO' (Fu=177 KSI, Fy=155 KSI)	WOOD	1-3/4"	1"	N.A.	N.A.	N.A.	N.A.	1-1/2"	1"
	MASONRY	N.A.	N.A.	N.A.	N.A.	N.A.	N.A.	1-1/4"	2-1/2"
	CONCRETE	1-1/4"	2-1/2"	1-3/4"	2-1/2"	N.A.	N.A.	1-1/4"	2-1/2"
5/16" DIA. ULTRACONS BY 'ELCO' (Fu=177 KSI, Fy=155 KSI)	WOOD	N.A.	N.A.	N.A.	N.A.	N.A.	N.A.	N.A.	N.A.
	MASONRY	N.A.	N.A.	N.A.	N.A.	N.A.	N.A.	N.A.	N.A.
	CONCRETE	N.A.	N.A.	N.A.	N.A.	1-1/4"	2-1/2"	N.A.	N.A.
1/4" DIA. SELF DRILLING SCREWS (GRADE 5 CRS)	METAL	1/8"	3/4"	N.A.	N.A.	N.A.	N.A.	1/8"	3/4"

WOOD = 2BY WOOD BUCKS OR WOOD STRUCTURE S.G. = 0.55 MIN.
 MASONRY = C-90 HOLLOW/FILLED BLOCK f'm = 2000 PSI MIN.
 CONCRETE = f'c = 3000 PSI MIN.
 METAL = 1/8" MIN. THK. STEEL Fy = 36 KSI MIN.
 MIAMI-DADE COUNTY APPROVED MULLION 1/8" MIN. THK.

1BY OR 2BY WOOD BUCKS AND METAL STRUCTURES NOT BY S.I.W. MUST SUSTAIN LOADS IMPOSED BY GLAZING SYSTEM AND TRANSFER THEM TO BUILDING STRUCTURE.

ANCHORS MAY BE HEX OR FLAT HEAD.



USE 5/16" DIA. ULTRACON AT ADA SILL ONLY SEE ELEVATIONS FOR SPACING

PRODUCT REVISED
 as complying with the Florida Building Code
 Acceptance No. 12-0223-23
 Expiration Date 01/27/15
 Issued Date Product Control

Engr. JAVAD AHMAD
 CIVIL
 FLA. PE # 70592
 C.A.N. 3538
 MAY 14 2012

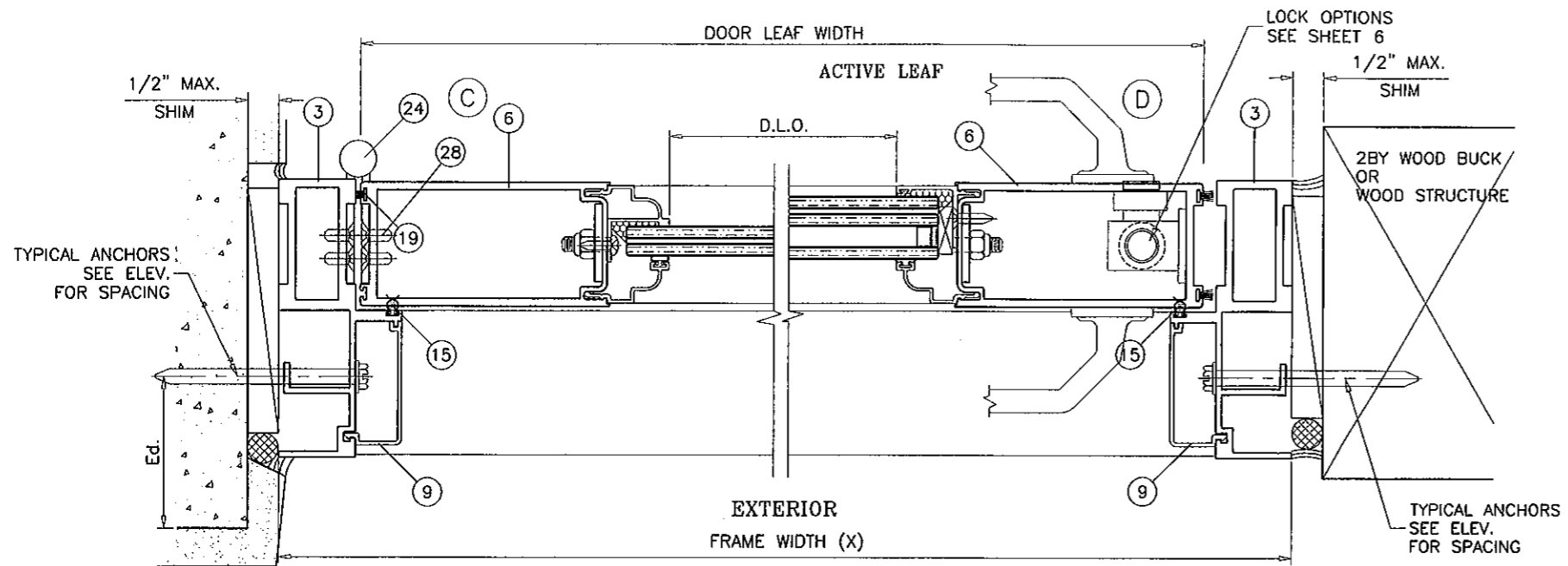
AL-FAROOQ CORPORATION
 ENGINEERS & PRODUCT DEVELOPMENT
 1235 S.W. 87 AVE
 MIAMI, FLORIDA 33174
 TEL. (305) 264-8100 FAX. (305) 262-6978
 COMP-ANL\W08-32SIW

SERIES 525 ALUM INSWING ENTRANCE DOOR (L.M.I.)
SIW IMPACT WINDOWS, LLC.
 975 S. CONGRESS AVE. #102
 DELRAY BEACH, FL. 33445
 TEL. (561) 274-9392 FAX. (561) 274-9262

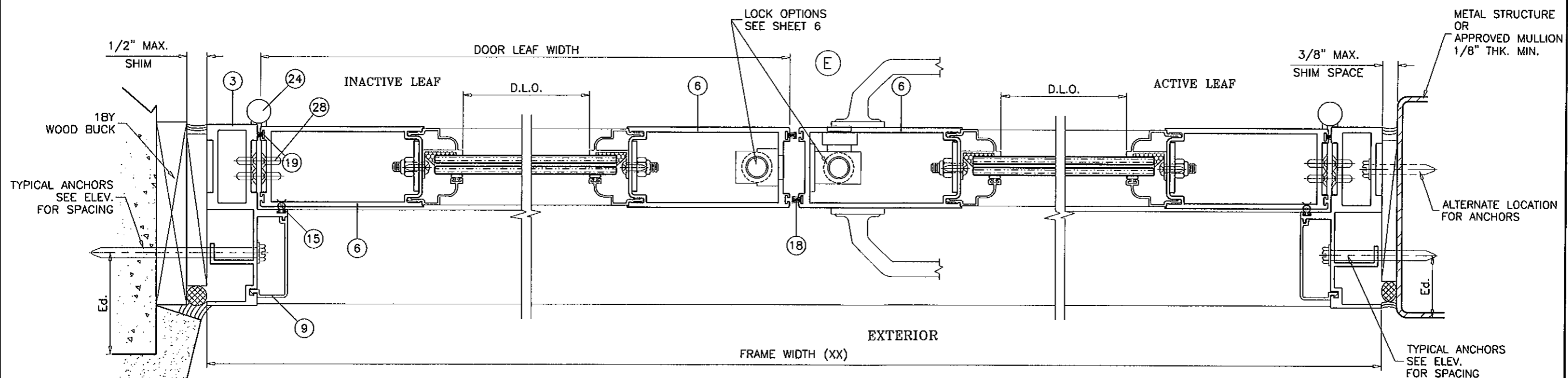
no.	date	description
A	11.25.09	REV. PER BCCO COMMENTS
B	01.20.12	NO CHANGE THIS SHEET

date: 03-25-08
 scale: 3/8" = 1"
 dr. by: HAMID
 chk. by:

drawing no. **W08-32**
 sheet 3 of 7



PRODUCT REVISED
 as complying with the Florida
 Building Code
 Acceptance No. 12-0223.23
 Expiration Date 01/27/15
 by *Shahid Chaudhry*
 Miami, Florida



Engr. JAVAD AHMAD
 CIVIL
 FLA. PE # 70592
 O.A.N. 3538

J.A.

af c

AL-FAROOQ CORPORATION
 ENGINEERS & PRODUCT DEVELOPMENT
 1235 S.W. 87 AVE
 MIAMI, FLORIDA 33174
 TEL. (305) 264-8100 FAX. (305) 262-6978
 COMP-ANL\W08-32SIW

SERIES 525 ALUM INSWING ENTRANCE DOOR (L.M.I.)

SIW IMPACT WINDOWS, LLC.
 975 S. CONGRESS AVE. #102
 DELRAY BEACH, FL. 33445
 TEL. (561) 274-9392 FAX. (561) 274-9262

no	date	by	description
A	11.25.09	REV. PER BCCO COMMENTS	
B	01.20.12	NO CHANGE THIS SHEET	

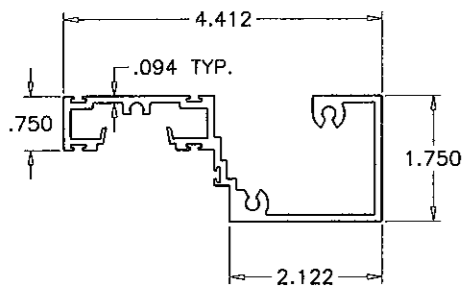
revisions:

date: 03-25-08
 scale: 3/8" = 1"
 dr. by: HAMID
 chk. by:

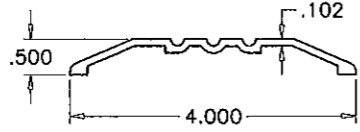
drawing no.
W08-32

sheet 4 of 7

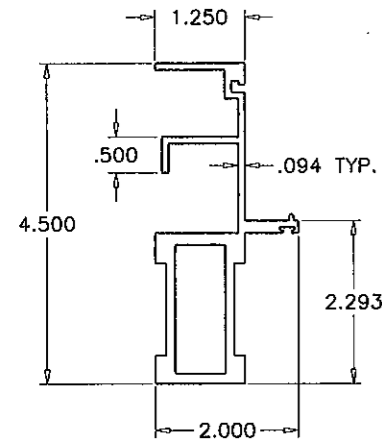
MAY 14 2012



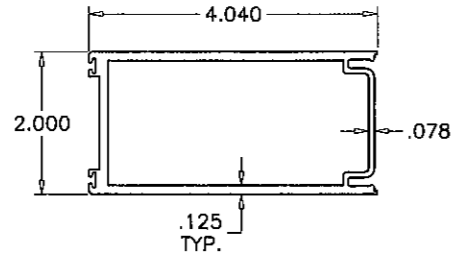
2 DOOR FRAME HEAD/SILL



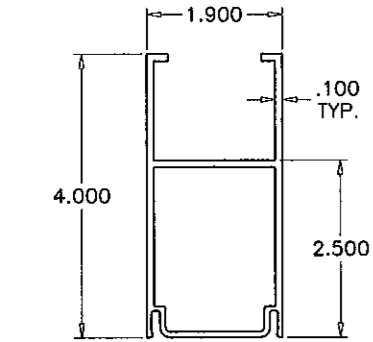
29 THRESHOLD/SILL



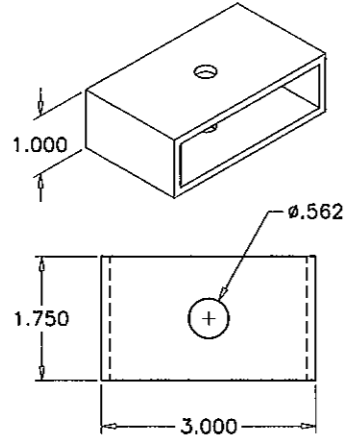
3 FRAME JAMB



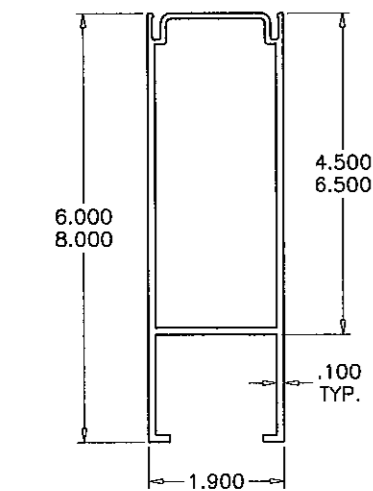
6 HINGE/LOCK STILE



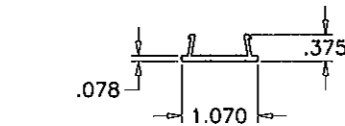
4 TOP/BOTTOM RAIL



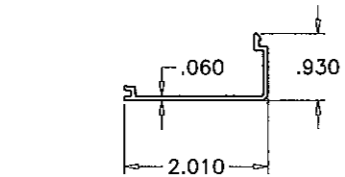
8 FLUSH BOLT BLOCK



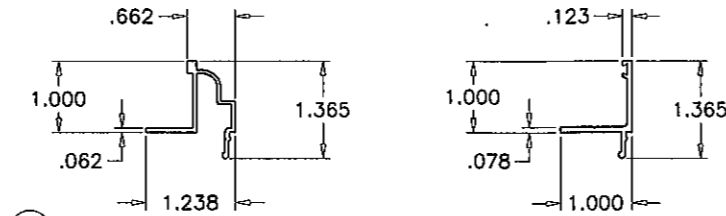
5 BOTTOM RAIL



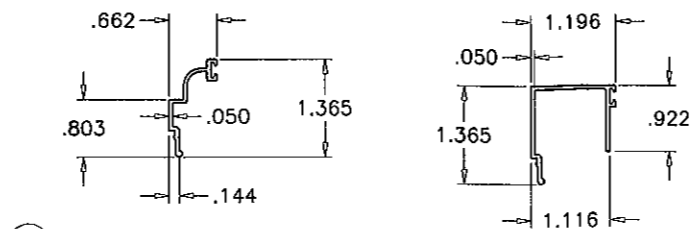
11 SNAP COVER



9 JAMB SCREW COVER



12 INTERIOR GLASS STOPS



13 EXTERIOR GLASS STOP

PRODUCT REVISED
 to comply with the Florida
 Building Code
 Acceptance No. 12-0223-23
 Expiration Date 01/17/15
 By: *Shag J. Hank*
 Miami Trade Product Control

Engr. JAVAD AHMAD
 CIVIL
 FLA. PE # 70592
 C.A.N. 3539

 MAY 14 2012

af c
AL-FAROOQ CORPORATION
 ENGINEERS & PRODUCT DEVELOPMENT
 1235 S.W. 87 AVE
 MIAMI, FLORIDA 33174
 TEL. (305) 264-8100 FAX. (305) 262-6978
 COMP-ANL\W08-32SIW

SERIES 525 ALUM INSULING ENTRANCE DOOR (L.M.I.)
SIW IMPACT WINDOWS, LLC.
 975 S. CONGRESS AVE. #102
 DELRAY BEACH, FL. 33445
 TEL. (561) 274-9392 FAX. (561) 274-9262

no.	date	by	description
A	11.25.09		NO CHANGE THIS SHEET
B	01.20.12		NO CHANGE THIS SHEET

date: 03-25-08
 scale: 3/8" = 1"
 dr. by: HAMID
 chk. by:

drawing no.
W08-32
 sheet 5 of 7

ITEM #	PART #	REQD.	DESCRIPTION	MATERIAL	MANF./SUPPLIER/REMARKS
2	DWF-013A	1	DOOR FRAME HEAD/SILL	6063-T6	-
3	DWF-008	2/DOOR	FRAME JAMB	6063-T6	-
4	DWF-002	1/ LEAF	DOOR TOP/BOTTOM RAIL	6063-T6	-
5	DWF-003	1/ LEAF	DOOR BOTTOM RAIL	6063-T6	-
6	DWF-001	2/ LEAF	HINGE STILE/LOCK STILE	6063-T6	-
9	DWF-011	AS REQD.	SCREW COVER	6063-T5	-
11	DWF-012	AS REQD.	SNAP COVER	6063-T5	-
12	DWF-005	AS REQD.	INTERIOR GLASS STOP	6063-T5	-
12A	DWF-024	AS REQD.	INTERIOR GLASS STOP	6063-T5	-
13	DWF-004	AS REQD.	EXTERIOR GLASS STOP	6063-T6	-
13A	SIW533	AS REQD.	EXTERIOR GLASS STOP	6063-T6	-
15	32082	-	FOAM-TITE W'STRIPPING	VINYL	AMESBURY
16	Q225X190	-	Q-LON 2 W'STRIPPING	VINYL	SCHLEGEL
17	5101-B	AS REQD.	GLASS STOP GASKET	SANTOPRENE	BY CENTRAL PLASTICS
18	.187 x .320 HT.	AS RQD.	FINSEAL PILE W'STRIPPING	-	ULTRAFAB
19	.187 x .200 HT.	AS RQD.	FINSEAL PILE W'STRIPPING	-	ULTRAFAB
21	#8 X 1/2"	AS REQD.	GLASS STOP SCREWS SELF DRILLING	-	AT 8" FROM ENDS & 15" O.C. MAX.
22	#12 X 1-1/4"	-	FIX. PANEL SCREWS PH SMS	-	AT 6" FROM ENDS & 17" O.C. MAX.
24	SD44HD	4/LEAF	BUTT HINGES	-	STAINLESS STEEL
26	#12 X 2"	2/ CORNER	FRAME ASSEMBLY SCREWS	ST. STEEL	PH SMS
27	#12 X 4"	1/ CORNER	FRAME ASSEMBLY SCREWS	ST. STEEL	PH SMS
28	#12 X 1/2"	AS REQD.	HINGE ASSEMBLY SCREWS	ST. STEEL	FH MS TYPE 23
29	20305	AS REQD.	THRESHOLD/SILL	6063-T6	-
30	DB019AV36	AS REQD.	DOOR BOTTOM SWEEP	ALUM/VINYL	BY CRL
31	SIW 521	-	FLUSH BOLT BLOCK	6063-T6	-
32	#2	-	FLUSH BOLTS	-	SULLIVAN & ASSOC.
33	M1805S	-	3 POINT LOCK	-	ADAMS RITE

LOCKS:

ACTIVE LEAF:

OPTION #1:

3 POINT LOCK ASSEMBLY (M1805S) BY 'ADAMS RITE' WITH 4015 THROW BOLT AT 35-1/2" FROM BOTTOM FLUSH BOLTS CONNECTED TO LOCK KEY OPERATED ON EXTERIOR AND THUMB TURN ON INTERIOR AND ENGAGING FRAME AT HEAD AND SILL

OPTION #2:

LOCK ASSEMBLY (KL4027 & KP4028) BY 'KWIKSET' WITH THROW BOLT AT 35-1/2" FROM BOTTOM KEY OPERATED ON EXTERIOR AND THUMB TURN ON INTERIOR MANUALLY OPERATED FLUSH BOLTS LOCATED AT 13-1/2" FROM BOTTOM AND 34" FROM TOP.

OPTION #3:

LOCK ASSEMBLY (W5110-STACT6) BY 'ASHLAND' WITH THROW BOLT AT 35-1/2" FROM BOTTOM FLUSH BOLTS CONNECTED TO LOCK KEY OPERATED ON EXTERIOR AND THUMB TURN ON INTERIOR AND ENGAGING FRAME AT HEAD AND SILL

INACTIVE LEAF

CONCEALED FLUSH BOLTS (FB-1202-914) BY 'SULLIVAN & ASSOC.' MANUALLY OPERATED LEVERS MOUNTED ON INSIDE FACE OF LEAF STILE LOCATED AT 13-1/2" FROM BOTTOM AND 34" FROM TOP

NOTE: LOCKS MUST BE ENGAGED DURING PERIODS OF HURRICANE WARNING.


HINGES:

4" X 4" ST. STEEL BUTT HINGES (DSB4NB OR S44HD) AT 13" FROM TOP AND BOTTOM ENDS AND 26-5/8" O.C. MAX. HINGE ATTACHED TO DOOR FRAME AND DOOR STILE USING (4) #12 X 1" FH MS
 3 HINGES PER LEAF UPTO 6/8 HIGH DOORS
 4 HINGES PER LEAF DOORS HIGHER THAN 6/8

SEALANTS:

ALL JOINTS AND FRAME CONNECTIONS SEALED WITH SMALL JOINT SEALER.

PRODUCT REVISED
 as complying with the Florida Building Code
 Acceptance No 12-0223-23
 Expiration Date 01/27/15
 by *Shah J. Chiswick*
 Miami Door Product Control

Engr: JAVAD AHMAD
 CIVIL
 FLA. PE # 70592
 C.A.N. 3538

 MAY 14 2012

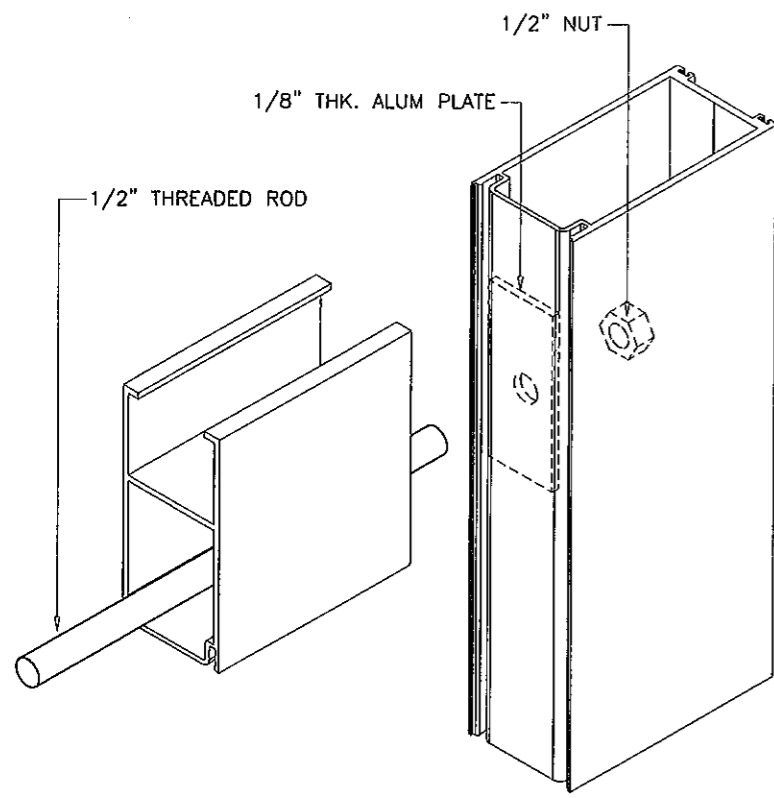
af c
AL-FAROOQ CORPORATION
 ENGINEERS & PRODUCT DEVELOPMENT
 1235 S.W. 87 AVE
 MIAMI, FLORIDA 33174
 TEL. (305) 264-8100 FAX. (305) 262-6978
 COMP-ANL\W08-32SIW

SERIES 525 ALUM INSWING ENTRANCE DOOR (L.M.I.)
SIW IMPACT WINDOWS, LLC.
 975 S. CONGRESS AVE. #102
 DELRAY BEACH, FL. 33445
 TEL. (561) 274-9392 FAX. (561) 274-9262

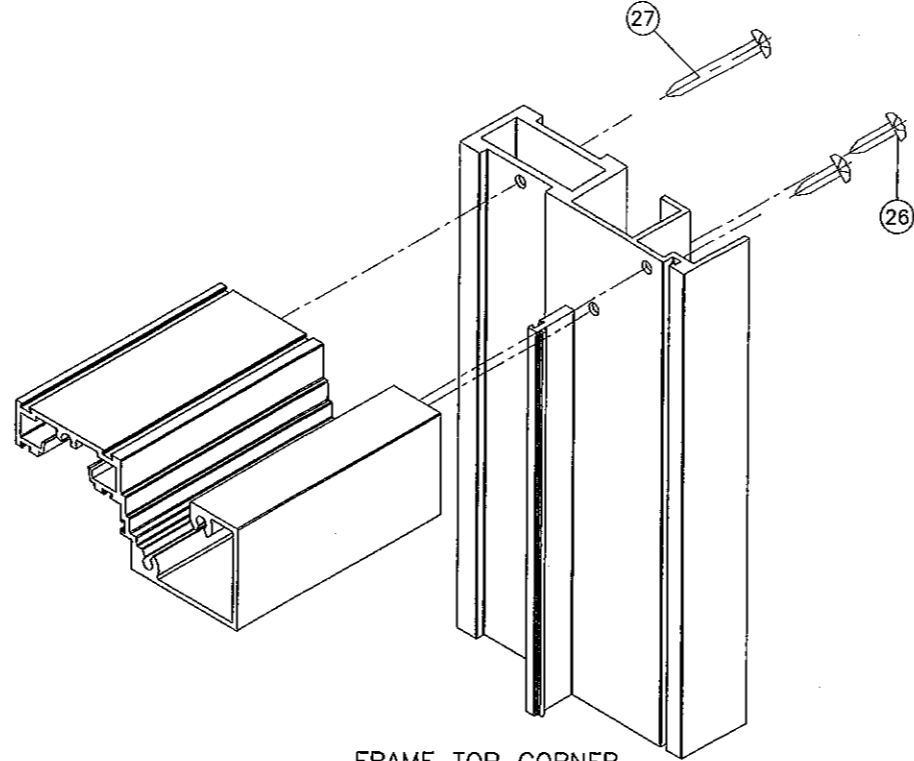
revisions:	no	date	by	description
	A	11.25.09		REV. PER BECCO COMMENTS
	B	01.20.12		NO CHANGE THIS SHEET

date: 03-25-08
 scale: 3/8" = 1"
 dr. by: HAMID
 chk. by:

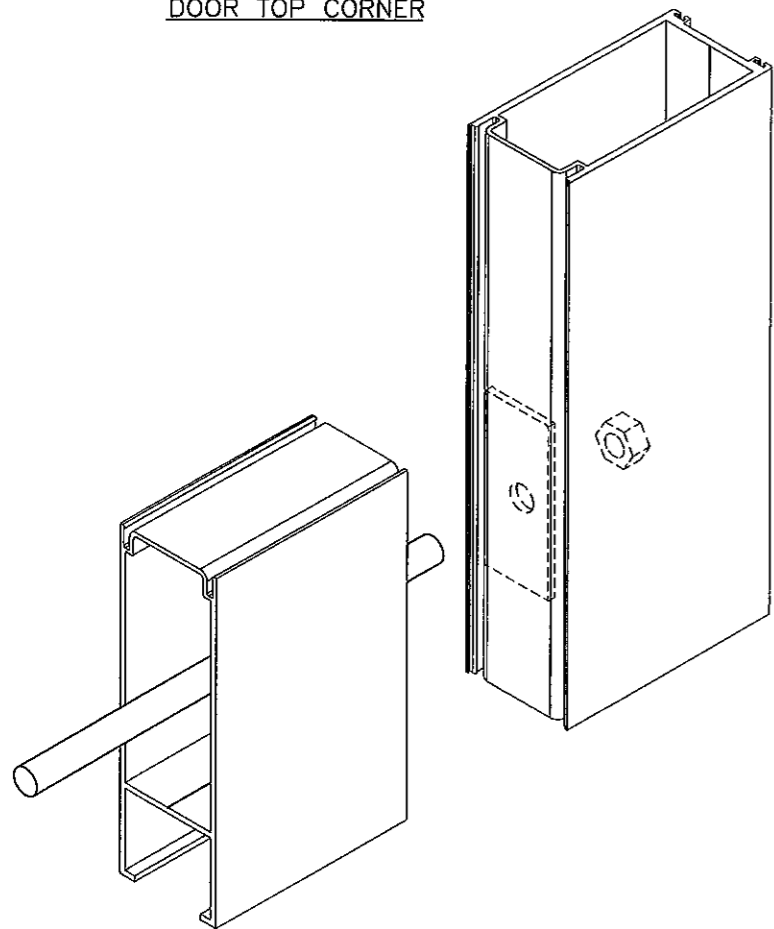
drawing no.
W08-32
 sheet 6 of 7



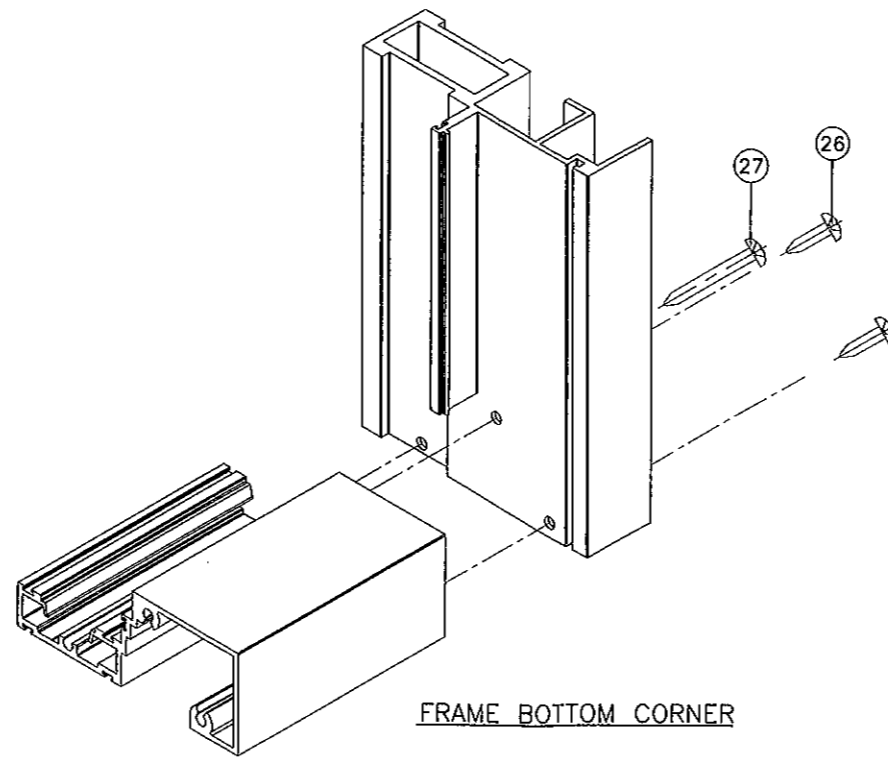
DOOR TOP CORNER



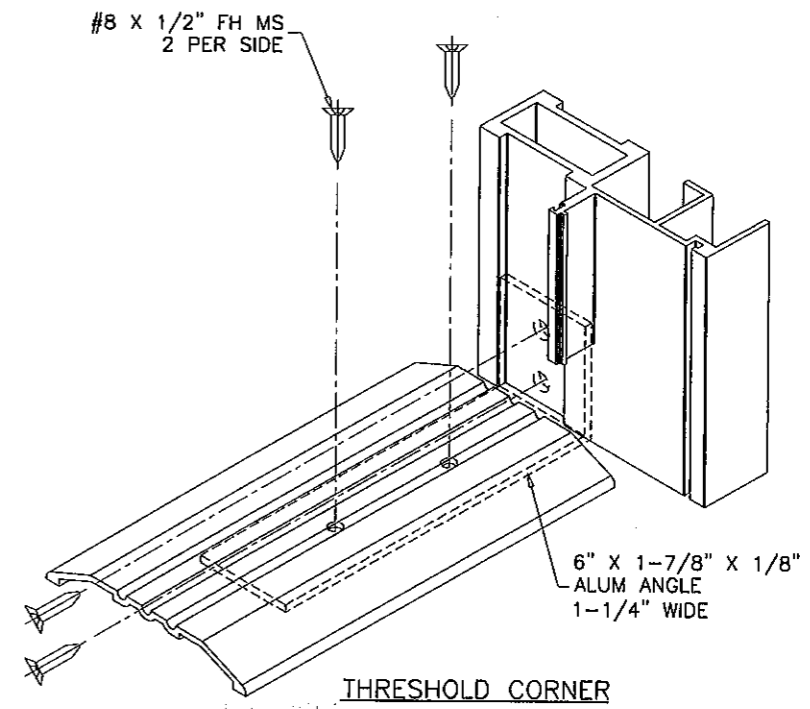
FRAME TOP CORNER



DOOR BOTTOM CORNER



FRAME BOTTOM CORNER



THRESHOLD CORNER

PRODUCT REVISED
 in complying with the Florida
 Building Code
 Acceptance No. 12-0273-23
 Expiration Date: JAN 27, 2015
 By: Ishtay J. Ahmad
 Missouri Dept. Product Control

Engr: JAVAD AHMAD
 CIVIL
 FLA: PE # 70592
 C.A.N. 3538
 MAY 14 2012

af c
AL-FAROOQ CORPORATION
 ENGINEERS & PRODUCT DEVELOPMENT
 1235 S.W. 87 AVE
 MIAMI, FLORIDA 33174
 TEL (305) 264-8100 FAX (305) 262-6978
 COMP-ANL \ W08-32SIW

SERIES 525 ALUM INSWING ENTRANCE DOOR (L.M.I.)
SIW IMPACT WINDOWS, LLC
 975 S. CONGRESS AVE. #102
 DELRAY BEACH, FL. 33445
 TEL (561) 274-9392 FAX (561) 274-9262

no	date	by	description
A	11.25.09		NO CHANGE THIS SHEET
B	01.20.12		NO CHANGE THIS SHEET

date: 03-25-08
 scale: 3/8" = 1"
 dr. by: HAMID
 chk. by:
 drawing no.
W08-32
 sheet 7 of 7