



DEPARTMENT OF PERMITTING, ENVIRONMENT, AND REGULATORY  
AFFAIRS (PERA)  
BOARD AND CODE ADMINISTRATION DIVISION  
**NOTICE OF ACCEPTANCE (NOA)**

MIAMI-DADE COUNTY  
PRODUCT CONTROL SECTION  
11805 SW 26 Street, Room 208  
Miami, Florida 33175-2474  
T (786) 315-2590 F (786) 315-2599  
[www.miamidade.gov/pera/](http://www.miamidade.gov/pera/)

**Babcock-Davis**  
9300 73<sup>rd</sup> Ave. N.  
Minneapolis, MN 55428

**SCOPE:**

This NOA is being issued under the applicable rules and regulations governing the use of construction materials. The documentation submitted has been reviewed and accepted by Miami-Dade County PERA - Product Control Section to be used in Miami Dade County and other areas where allowed by the Authority Having Jurisdiction (AHJ).

This NOA shall not be valid after the expiration date stated below. The Miami-Dade County Product Control Section (In Miami Dade County) and/or the AHJ (in areas other than Miami Dade County) reserve the right to have this product or material tested for quality assurance purposes. If this product or material fails to perform in the accepted manner, the manufacturer will incur the expense of such testing and the AHJ may immediately revoke, modify, or suspend the use of such product or material within their jurisdiction. PERA reserves the right to revoke this acceptance, if it is determined by Miami-Dade County Product Control Section that this product or material fails to meet the requirements of the applicable building code.

This product is approved as described herein, and has been designed to comply with the Florida Building Code, including the High Velocity Hurricane Zone.

**DESCRIPTION: Series "Hurricane Zone" Steel and Aluminum Roof Hatch**

**APPROVAL DOCUMENT:** Drawing **DOOR HATCH ASSEMBLY** titled "Roof Hatch, Hurricane Zone Series, Single Door, Single Wall Curb, Single Point Latch", Sheets 1 through 8 of 8, dated 06/19/2012, prepared by the manufacturer, signed and sealed by L. David Rice, P.E., bearing the Miami-Dade County Product Control approval stamp with the Notice of Acceptance number and approval date by the Miami-Dade County Product Control Section.

**MISSILE IMPACT RATING: Large and Small Missile Impact Resistant**

**LABELING:** Each unit shall bear a permanent label with the manufacturer's name or logo, city, state, model/series, and following statement: "Miami-Dade County Product Control Approved", unless otherwise noted herein.

**RENEWAL** of this NOA shall be considered after a renewal application has been filed and there has been no change in the applicable building code negatively affecting the performance of this product.

**TERMINATION** of this NOA will occur after the expiration date or if there has been a revision or change in the materials, use, and/or manufacture of the product or process. Misuse of this NOA as an endorsement of any product, for sales, advertising or any other purposes shall automatically terminate this NOA. Failure to comply with any section of this NOA shall be cause for termination and removal of NOA.

**ADVERTISEMENT:** The NOA number preceded by the words Miami-Dade County, Florida, and followed by the expiration date may be displayed in advertising literature. If any portion of the NOA is displayed, then it shall be done in its entirety.

**INSPECTION:** A copy of this entire NOA shall be provided to the user by the manufacturer or its distributors and shall be available for inspection at the job site at the request of the Building Official.

This NOA consists of this page 1 and evidence page E-1, as well as approval document mentioned above.

The submitted documentation was reviewed by **Carlos M. Utrera, P.E.**



*[Signature]*  
07/09/2012

NOA No. 12-0320.29  
Expiration Date: July 19, 2017  
Approval Date: July 19, 2012  
Page 1

**NOTICE OF ACCEPTANCE: EVIDENCE SUBMITTED**

**A. DRAWINGS**

1. Drawing **DOOR HATCH ASSEMBLY** titled "Roof Hatch, Hurricane Zone Series, Single Door, Single Wall Curb, Single Point Latch", Sheets 1 through 8 of 8, dated 06/19/2012, prepared by the manufacturer, signed and sealed by L. David Rice, P.E.

**B. TESTS**

1. Addendum letter to Test Reports No. **ESP008998P-1173C** and D, dated 06/18/2012, signed and sealed by Thomas A. Kolden, P.E.
2. Test report on 1) Air Infiltration Test, per FBC, TAS 202-94  
2) Uniform Static Air Pressure Test, Loading per FBC TAS 202-94  
3) Water Resistance Test, per FBC, TAS 202-94  
4) Large Missile Impact Test per FBC, TAS 201-94  
5) Cyclic Wind Pressure Test per FBC, TAS 203-94  
6) Forced Entry Resistance Test per ASTM F 588, AAMA 1304  
along with marked-up drawings and installation diagram of Model BRHZA30X54S1T Aluminum Roof Hatch/Single Door, prepared by Element Materials Technology, Test Report No. **ESP008998P-1173C**, dated 02/16/2012, signed and sealed by Thomas A. Kolden, P.E.
3. Test report on 1) Air Infiltration Test, per FBC, TAS 202-94  
2) Uniform Static Air Pressure Test, Loading per FBC TAS 202-94  
3) Water Resistance Test, per FBC, TAS 202-94  
4) Large Missile Impact Test per FBC, TAS 201-94  
5) Cyclic Wind Pressure Test per FBC, TAS 203-94  
6) Forced Entry Resistance Test per ASTM F 588, AAMA 1304  
along with marked-up drawings and installation diagram of Model BRHZG30X54S1T Galvanized Steel Roof Hatch/Single Door, prepared by Element Materials Technology, Test Report No. **ESP008998P-1173D**, dated 02/16/2012, signed and sealed by Thomas A. Kolden, P.E.

**C. CALCULATIONS**

1. Anchor calculations prepared by Rice Engineering, dated 03/15/2012, signed and sealed by L. David Rice, P.E.

**D. QUALITY ASSURANCE**

1. Miami-Dade Department of Permitting, Environment, and Regulatory Affairs (PERA)

**E. MATERIAL CERTIFICATIONS**

1. None.

**F. STATEMENTS**

1. Statement letter of code conformance to 2010 FBC, issued by Rice Engineering, dated 03/14/2012, signed and sealed by L. David Rice, P.E.
2. No financial interest letter issued by Rice Engineering, dated 03/14/2012, signed and sealed by L. David Rice, P.E.
3. Private label agreement dated 03/14/2012.

  
07/09/2012

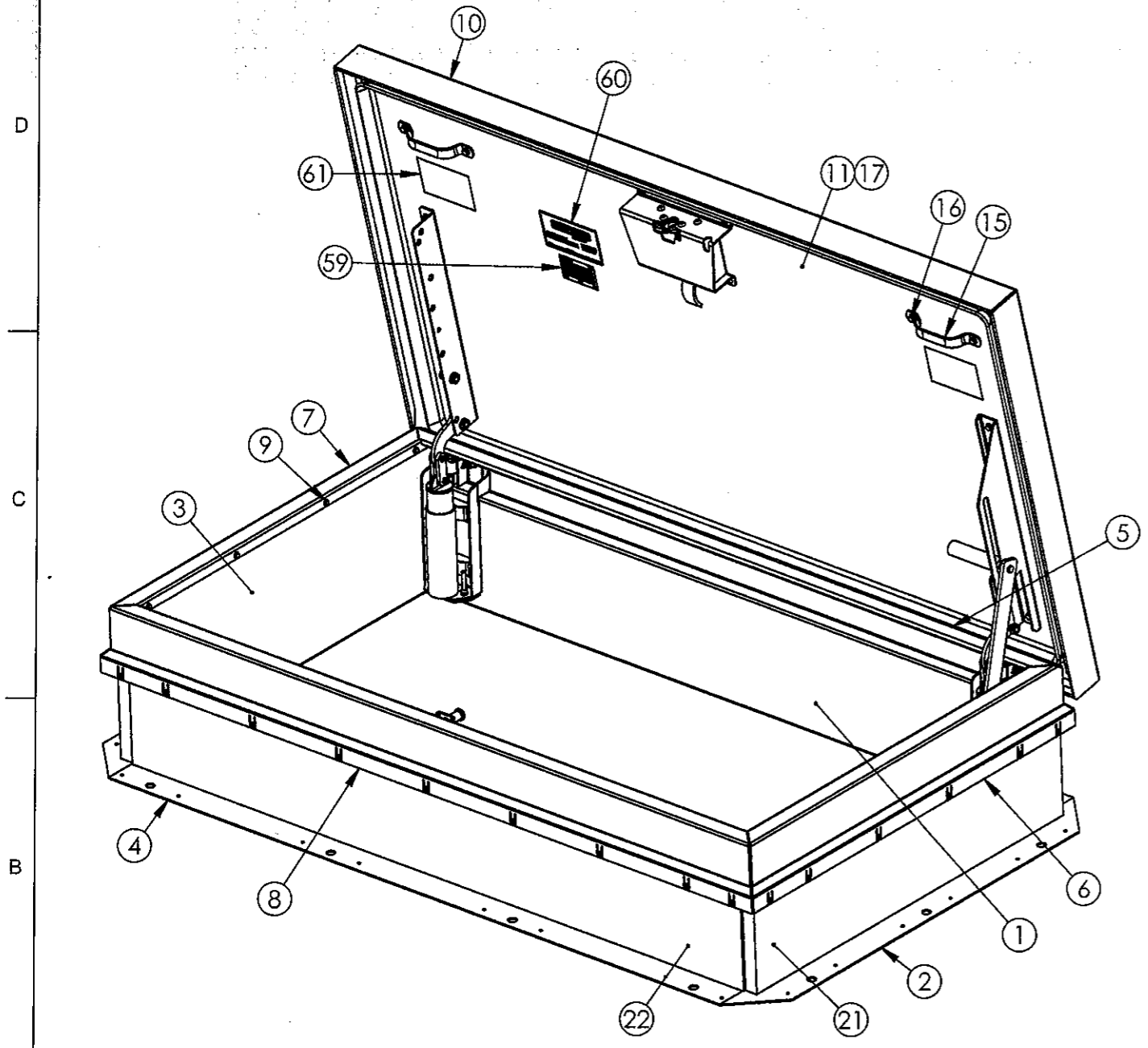
Carlos M. Utrera, P.E.

Product Control Examiner

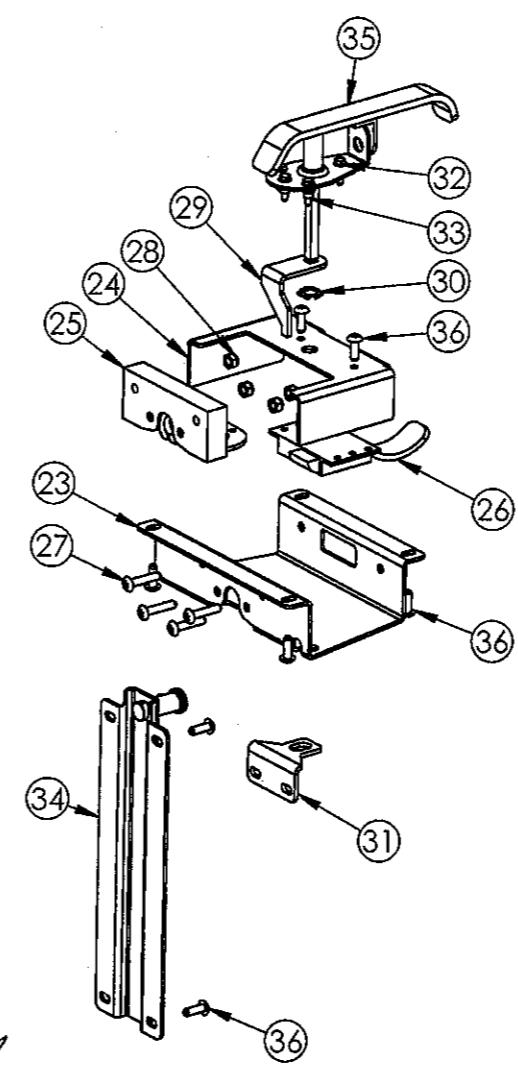
NOA No. 12-0320.29

Expiration Date: July 19, 2017

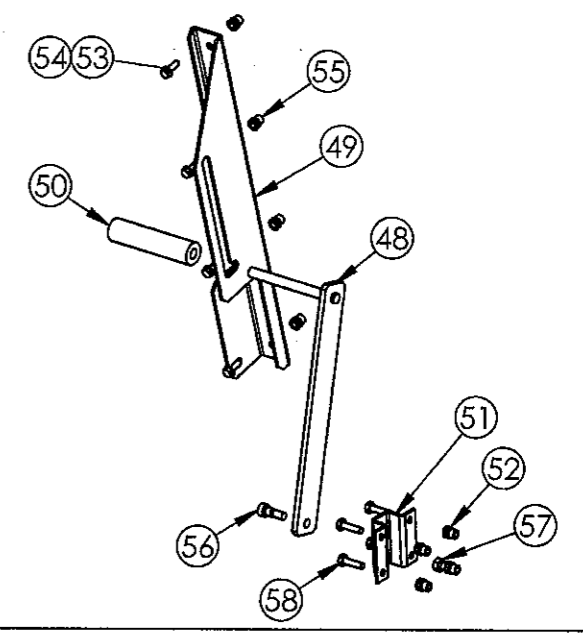
Approval Date: July 19, 2012



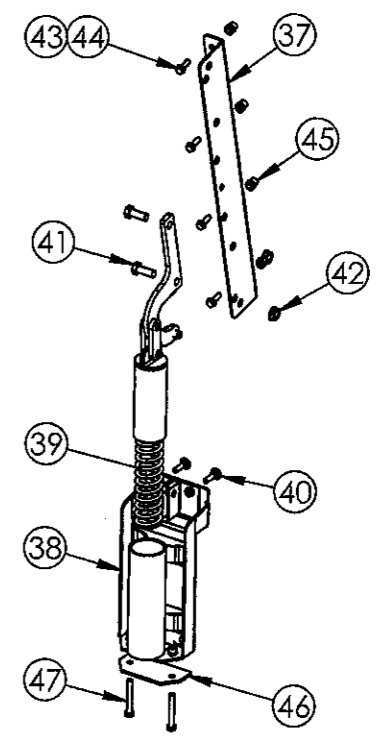
LATCH ASSEMBLY - SINGLE POINT



HOLD OPEN ARM ASSEMBLY

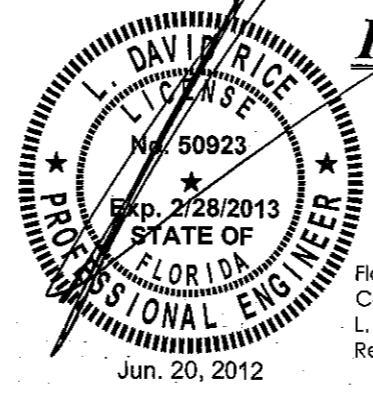


DOOR SUPPORT ARM ASSEMBLY



- NOTES:
- 1) THE DESIGN CONTAINED HEREIN IS DESIGNED AND TESTED IN ACCORDANCE WITH THE FLORIDA BUILDING CODE.
  - 2) THE SHORT TERM LOAD FACTOR HAS NOT BEEN USED.
  - 3) PRODUCT APPROVED UP TO A INSIDE AREA OF 11.25 SF (WIDTH X LENGTH ≤ 11.25 SF).
  - 4) ATTACHMENT TO STRUCTURE SHALL MEET THE FOLLOWING ALLOWABLE LOAD CONDITIONS. THE VALUES PROVIDED ASSUME THE ATTACHMENT DIRECTLY TO THE STRUCTURAL ELEMENTS WITHOUT SPACE. ALLOWABLE MINIMUM LOAD VALUES PULLOUT: 627 LBS. SHEAR: 133 LBS.
  - 5) USE THE FASTENER MANUFACTURERS RECOMMENDED SAFETY FACTORS. IF DIFFERENT CONDITIONS EXIST, CONTACT NYSTROM OR A FLORIDA LICENSED ENGINEER FOR CONSULTATION.
  - 6) ALL LABELS TO BE LOCATED IN APPROXIMATE LOCATIONS AS SHOWN.
  - 7) PROTECTION BETWEEN ALUMINUM & DISSIMILAR MATERIALS MUST BE PROVIDED PER FBC SECTION 2003.8.4.2.

DESIGN PRESSURE RATING	IMPACT RATING	WATER FILTRATION
+/- 100 PSF	LARGE AND SMALL MISSILE IMPACT	30% DP WITH ZERO WATER FILTRATION



**RICE ENGINEERING**  
 105 School Creek Trail  
 Luxemburg, WI 54217  
 Phone: 920.845.1042  
 Fax: 920.845.1048  
 www.rice-inc.com

Approved as complying with the Florida Building Code  
 Date: 07/19/2012  
 NOAH 12-0320-29  
 Miami Dade Product Control  
 By: *[Signature]*

Florida Firm No: F-01000005061  
 Certificate of Authorization: #9090  
 L. David Rice  
 Registration No: 50923

**Babcock-Davis**  
 Always right there.  
 9300 73rd Avenue North  
 Brooklyn Park, MN 55428

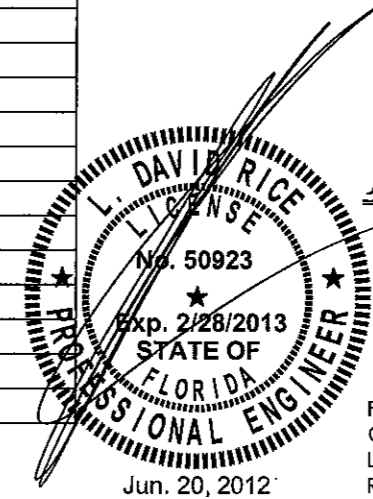
DRAWN		NAME	DATE	SIZE	DWG. NO.	REV
RELEASED		IMT	6/19/2012	B	DOOR HATCH ASSEMBLY	B
				WEIGHT: Weight	SHEET 1 OF 8	

ITEM	QTY	PART #	DESCRIPTION
<b>CURB ASSEMBLY</b>			
1	1	CurbHinge	CURB - HINGE SIDE
2	1	CurbBottom	CURB - BOTTOM SIDE
3	1	CurbTop	CURB - TOP SIDE
4	1	CurbLatch	CURB - LATCH SIDE
<b>CAP FLASH ASSEMBLY</b>			
5	1	CflashHinge	CAP FLASH - HINGE SIDE
6	1	CflashBottom	CAP FLASH - BOTTOM SIDE
7	1	CflashTop	CAP FLASH - TOP SIDE
8	1	CflashLatch	CAP FLASH - LATCH SIDE
9	12	28221	BHMS, 1/4-20 x .75, (ZPS)
<b>COVER ASSEMBLY</b>			
10	1	Cover	COVER
11	1	Liner	COVER LINER
12	1	StiffenerHinge	STIFFENER - LATCH SIDE
13	2	Stiffener5	STIFFENER - SIDES
14	1	StiffenerLatch	STIFFENER - HINGE SIDE
15	2	2810	HANDLE, PULL, 1 x 6, (ZPS)
16	12	28221	BHMS, 1/4-20 x .75, (ZPS)
17	16	2546	SDPHTS, 10-16 x .75, 3 PT, ZPS, SQUARE DRIVE, (ZPS)
<b>INSULATION &amp; GASKET</b>			
18	2	6650	COVER GASKET, RH (EPDM)
19	12	2977	INSULATION, COVER (POLYSTYRENE R=4.0)
20	1	2978	INSULATION, BOARD, CURB HINGE (WOOD FIBER R=2.8)
21	2	2978	INSULATION, BOARD, CURB SIDE (WOOD FIBER R=2.8)
22	1	2978	INSULATION, BOARD, CURB LATCH (WOOD FIBER R=2.8)
<b>LATCH ASSEMBLY - SINGLE POINT</b>			
23	2	28838	LATCH COVER, SINGLE POINT, RH, (ZPS)
24	1	28870	LATCH DIVIDER, SINGLE POINT, RH, (ZPS)
25	1	6617	ROTARY, BTM, RIGHT HAND, (ZPS)
26	1	1297	LATCH, SLAM, (ZPS)
27	1	28677	BHMS, 1/4-20 x 1.25, (ZPS)
28	1	2944	NUT, HEX, NYLON LOCK, 1/4-20, (ZPS)
29	1	28871	LINKAGE, SINGLE POINT, RH, (ZPS)
30	1	28875	DISC SPRING, STEEL, 14 Lb, (STEEL)
31	4	7387	HDL, PADLOCKING, (ZPS)
32	4	3210	HHMS, 10-24 x 0.50, (ZPS)
33	1	6507	RIVNUT, 10-24, .020-.130 GRIP, (ZPS)
34	1	28835	STRIKER WDMT, CURB RH, (ZPS)
35	1	7387	HANDLE, PADLOCKING, (ZPS)
36	6	28221	BHMS, 1/4-20 x .75, (ZPS)

ITEM	QTY	PART #	DESCRIPTION
<b>LIFTING/HINGE SUPPORT ASSEMBLY</b>			
37	1	2774	BRKT, SUPPORT HINGE, (ZPS)
38	2	2761	SPRING SUPPORT, ROOF HATCH, (ZPS)
39	-	6821	SPRING, COMPRESSION, 40 LB/IN (COLOR CODED BLUE)
39	-	6820	SPRING, COMPRESSION, 90 LB/IN (COLOR CODED GREEN)
39	-	1468	SPRING, COMPRESSION, 135 LB/IN (COLOR CODED YELLOW)
39	-	2765	SPRING, COMPRESSION, 156 LB/IN (COLOR CODED RED)
40	2	2983	CHB, 1/4-20 x 1.00, (ZPS)
41	4	2841	HHCS, 3/8-16 x 1.00, (ZPS)
42	2	2842	NUT, HEX, LOCK, FLANGE, 3/8-16, (ZPS)
43	4	2836	HWHTS, 14-14 x .75, 3 PT, (ZPS)
44	4	28221	BHMS, 1/4-20 x .75, (ZPS)
45	4	4359	RIVNUT, 1/4-20, (ZPS)
46	2	2764	PLATE, BOTTOM, HINGE, (ZPS)
47	4	3678	HHCS, 1/4-20 x 2.00, GRD5, (ZPS)
<b>HOLD OPEN ARM ASSEMBLY</b>			
48	1	7547	ARM, HOA, (ZPS)
49	1	8895	BRKT, HOA, RH, (ZPS)
50	1	2934	HANDLE, RED GRIP (VINYL)
51	1	26474	BRKT, HOA, CURB, (ZPS)
52	4	4359	RIVNUT, 1/4-20, (ZPS)
53	4	2836	HWHTS, 14-14 x .75, 3 PT, (ZPS)
54	4	28221	BHMS, 1/4-20 x .75, (ZPS)
55	4	4359	RIVNUT, 1/4-20, (ZPS)
56	1	7549	BOLT, SHOULDER, USS, (ZPS)
57	1	3412	NUT, HEX, NYLON LOCK, 5/16-18, (ZPS)
58	4	5202	HHCS, 1/4-20 x 1.00, (ZPS)
<b>TAPES &amp; MISCELLANEOUS</b>			
59	-	3236	PAINT, POWDER
60	1	26504	LABEL, MADE IN THE USA
61	1	3113	LABEL, LOGO, LARGE
62	2	3036	LABEL, CAUTION, HANDLE
63	1	1851	LABEL, RELEASE HANDLE
64	1	28884	LABEL, PRODUCT APPROVED (ALUMINUM FOIL)
65	-	-	2" FIBERGLASS TAPE
66	-	28096	SILICONE

- 1 MATERIAL THICKNESS TO BE DIFFERENT ON STEEL AND ALUMINUM MODELS
  - 2 COMPRESSION SPRING QTY AND TYPE VARIES PER HATCH SIZE TO MEET ≤ 30 LBS COVER OPENING PRESSURE
  - 3 REQUIRED ON ALUMINUM VERNONS
  - 4 NOT REQUIRED ON ALUMINUM VERNONS
  - 5 NOT SHOWN ON ASSEMBLY
- (ZPS) MINIMUM YIELD STRENGTH 25,000 PSI

Approved as complying with the  
 Florida Building Code  
 Date 07/19/2012  
 NOA# 12-0320-29  
 Miami Dade Product Control  
 By *[Signature]*

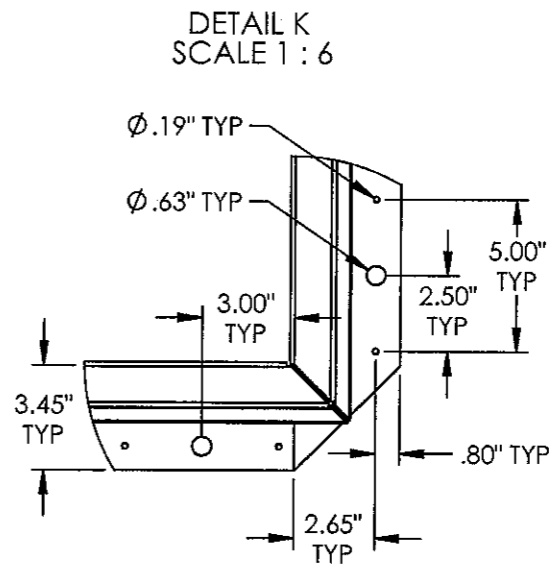
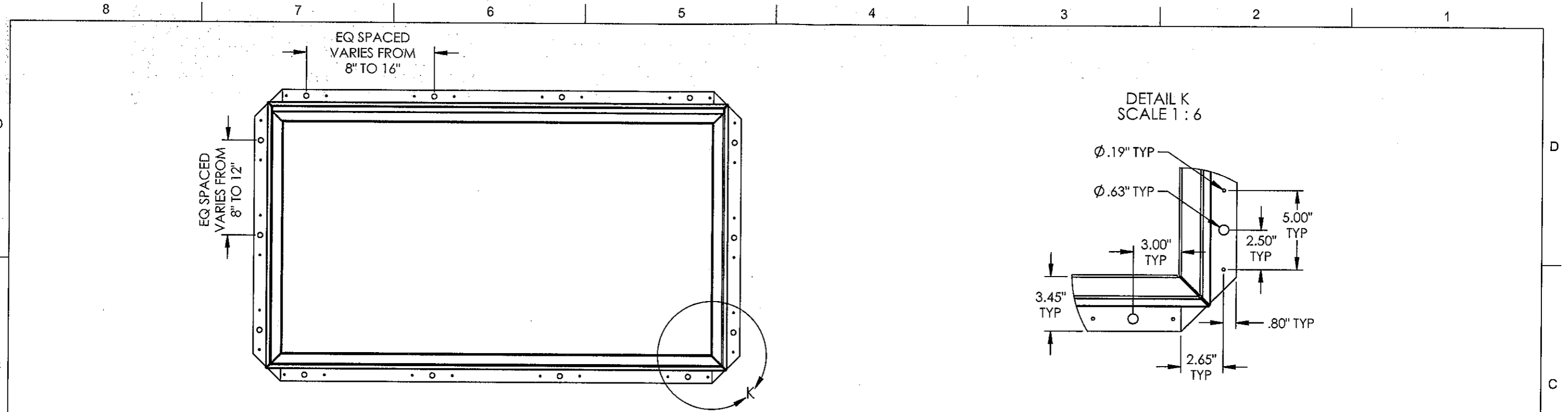


**RICE ENGINEERING**  
 105 School Creek Trail  
 Luxemburg, WI 54217  
 Phone: 920.845.1042  
 Fax: 920.845.1048  
 www.rice-inc.com

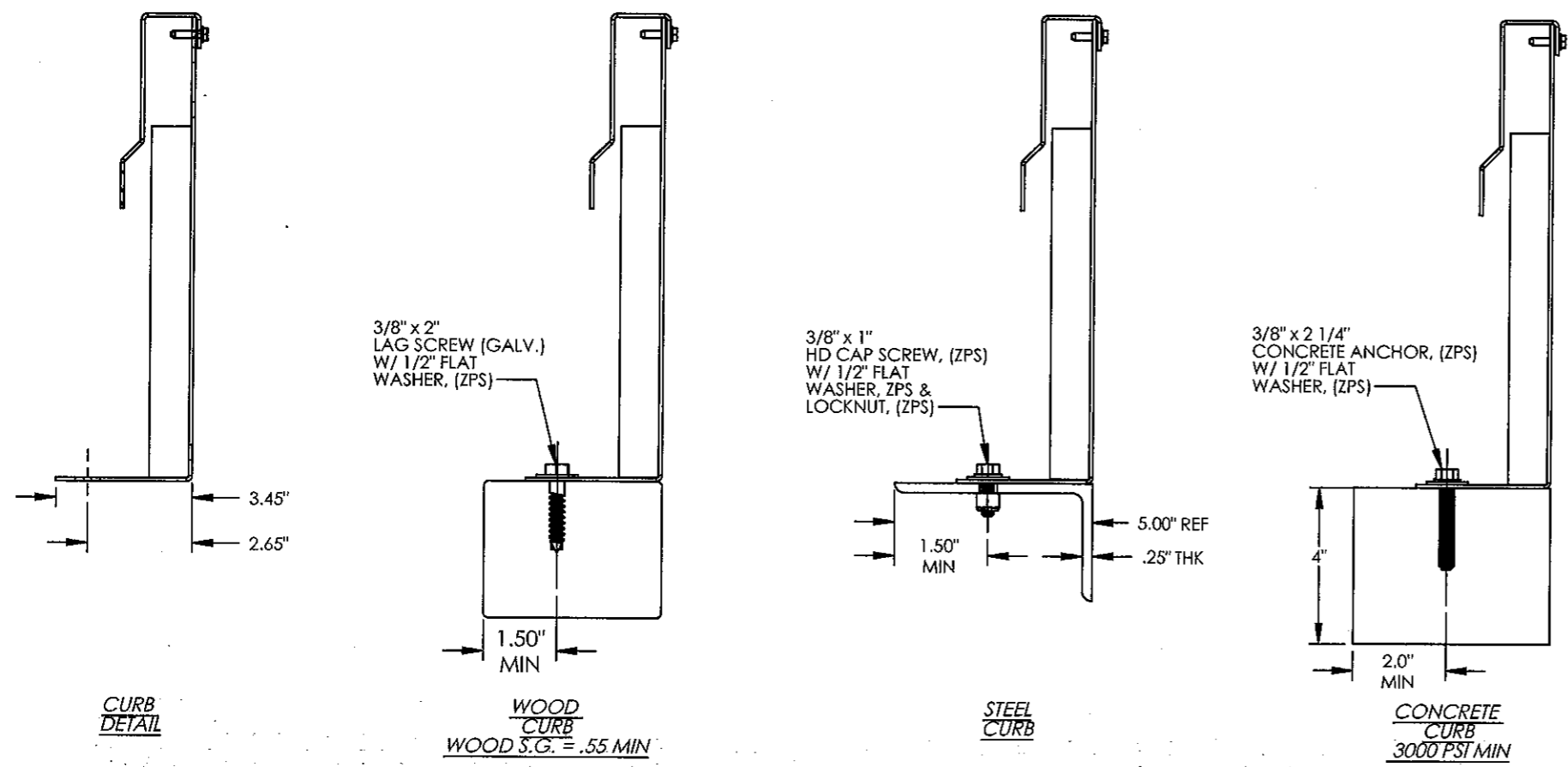
Florida Firm No: F-01000005061  
 Certificate of Authorization: #9090  
 L. David Rice  
 Registration No: 50923

<b>Babcock-Davis</b> Always right there. 9300 73rd Avenue North Brooklyn Park, MN 55428		TITLE: Roof Hatch, Hurricane Zone Series Single Door, Single Wall Curb Single Point Latch	
NAME	DATE	SIZE	DWG. NO.
DRAWN SGS	2/14/12	B	DOOR HATCH ASSEMBLY
RELEASED IMT	6/19/2012	WEIGHT: Weight	SHEET 2 OF 8





**ANCHORING DETAIL  
OPTIONS**



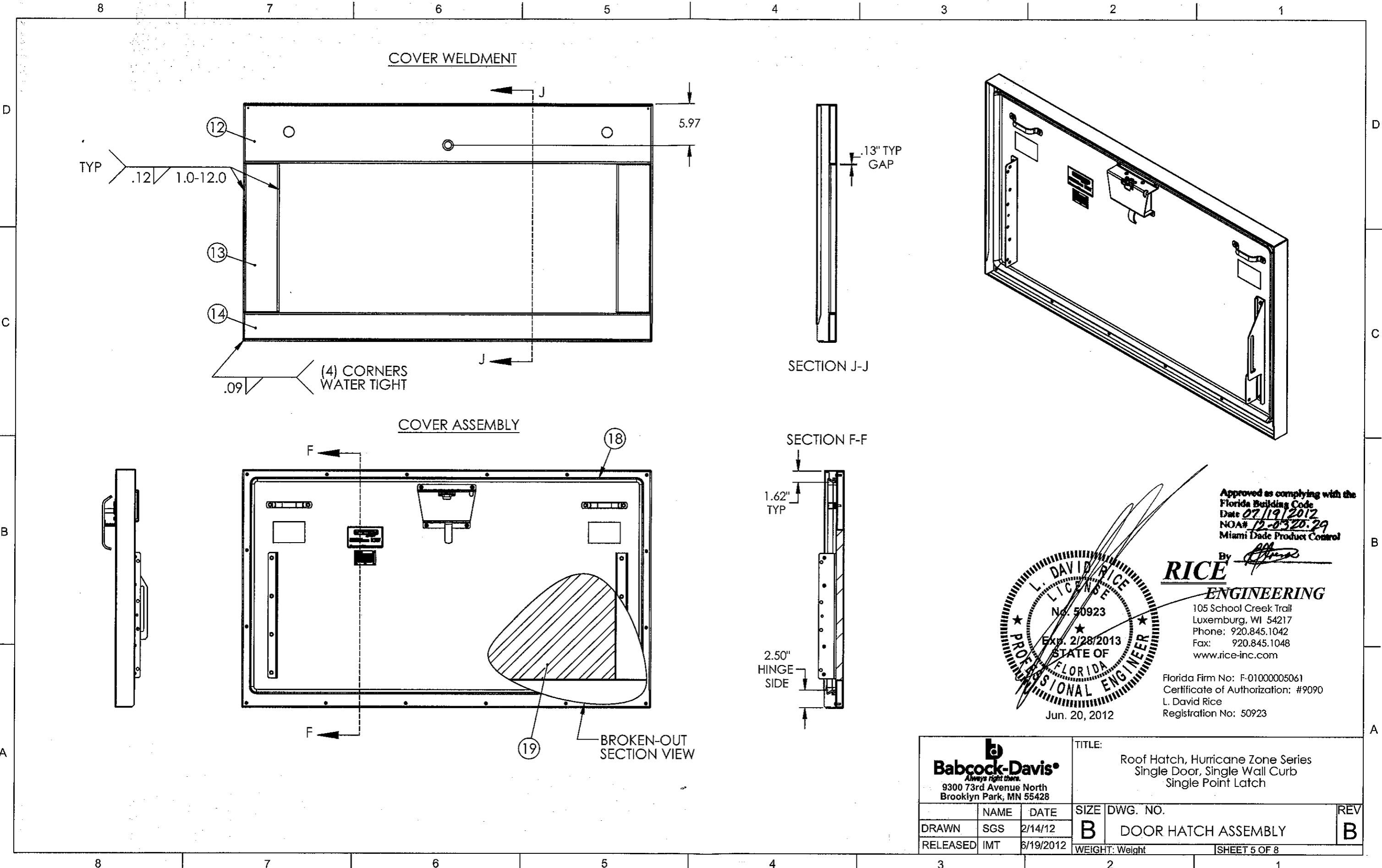
Approved as complying with the  
Florida Building Code  
Date 07/19/2012  
NOA# 12-0320-29  
Miami Dade Product Control  
By *[Signature]*



**RICE ENGINEERING**  
105 School Creek Trail  
Luxemburg, WI 54217  
Phone: 920.845.1042  
Fax: 920.845.1048  
www.rice-inc.com

Florida Firm No: F-01000005061  
Certificate of Authorization: #9090  
L. David Rice  
Registration No: 50923

			TITLE: Roof Hatch, Hurricane Zone Series Single Door, Single Wall Curb Single Point Latch	
NAME	DATE	SIZE	DWG. NO.	REV <b>B</b>
DRAWN	SGS	2/14/12	<b>B</b> DOOR HATCH ASSEMBLY	
RELEASED	IMT	6/19/2012	WEIGHT: Weight	
			SHEET 4 OF 8	

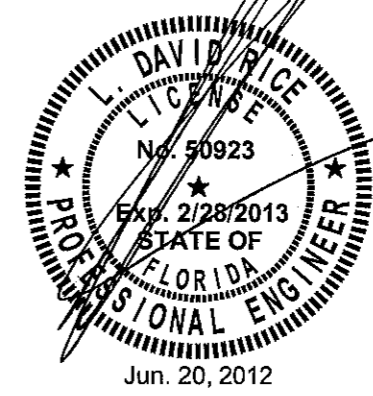


Approved as complying with the  
 Florida Building Code  
 Date 07/19/2012  
 NOA# 12-0320.29  
 Miami Dade Product Control

By *[Signature]*  
**RICE**  
**ENGINEERING**

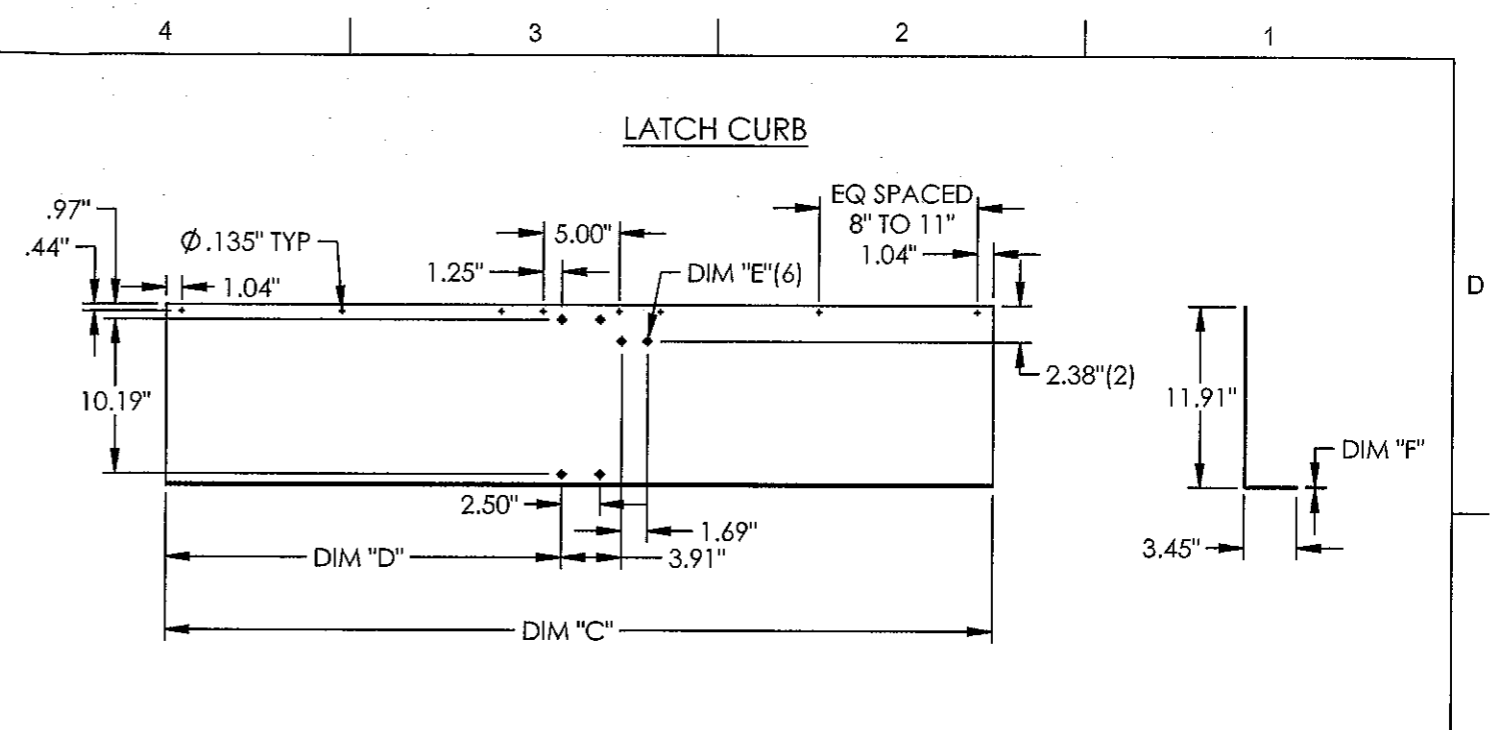
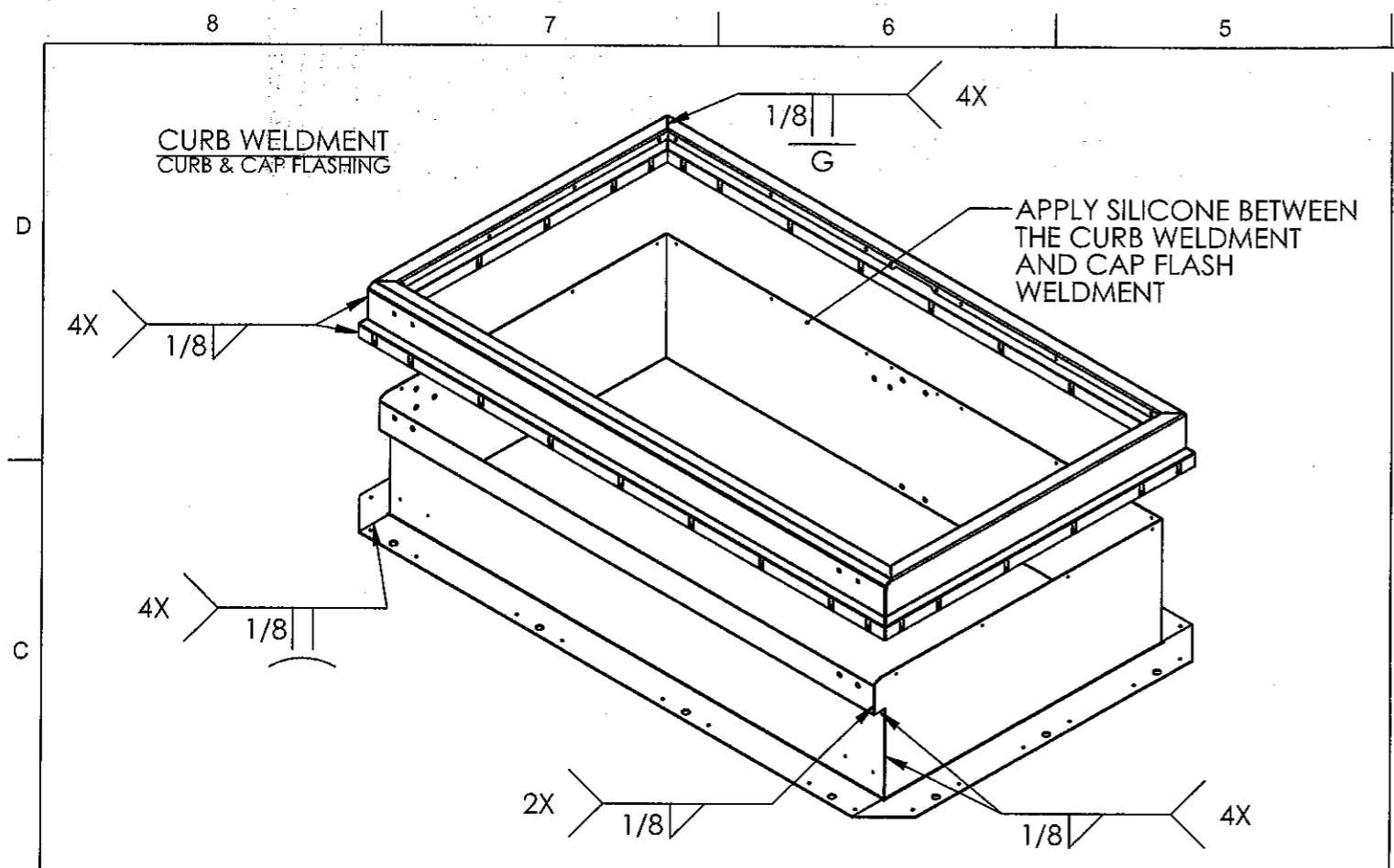
105 School Creek Trail  
 Luxemburg, WI 54217  
 Phone: 920.845.1042  
 Fax: 920.845.1048  
 www.rice-inc.com

Florida Firm No: F-0100005061  
 Certificate of Authorization: #9090  
 L. David Rice  
 Registration No: 50923

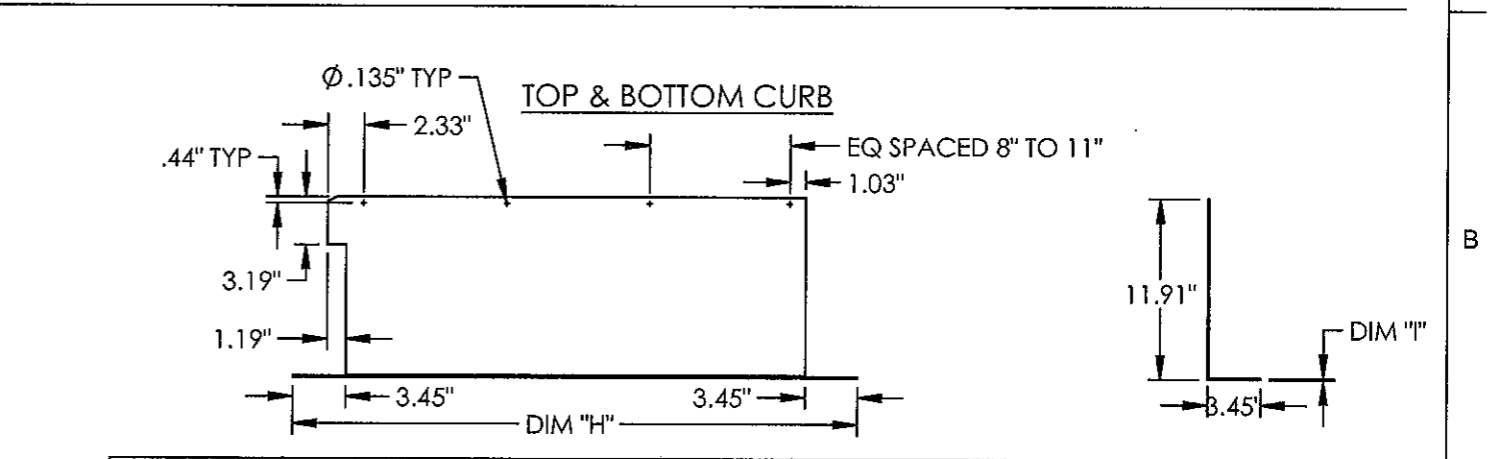
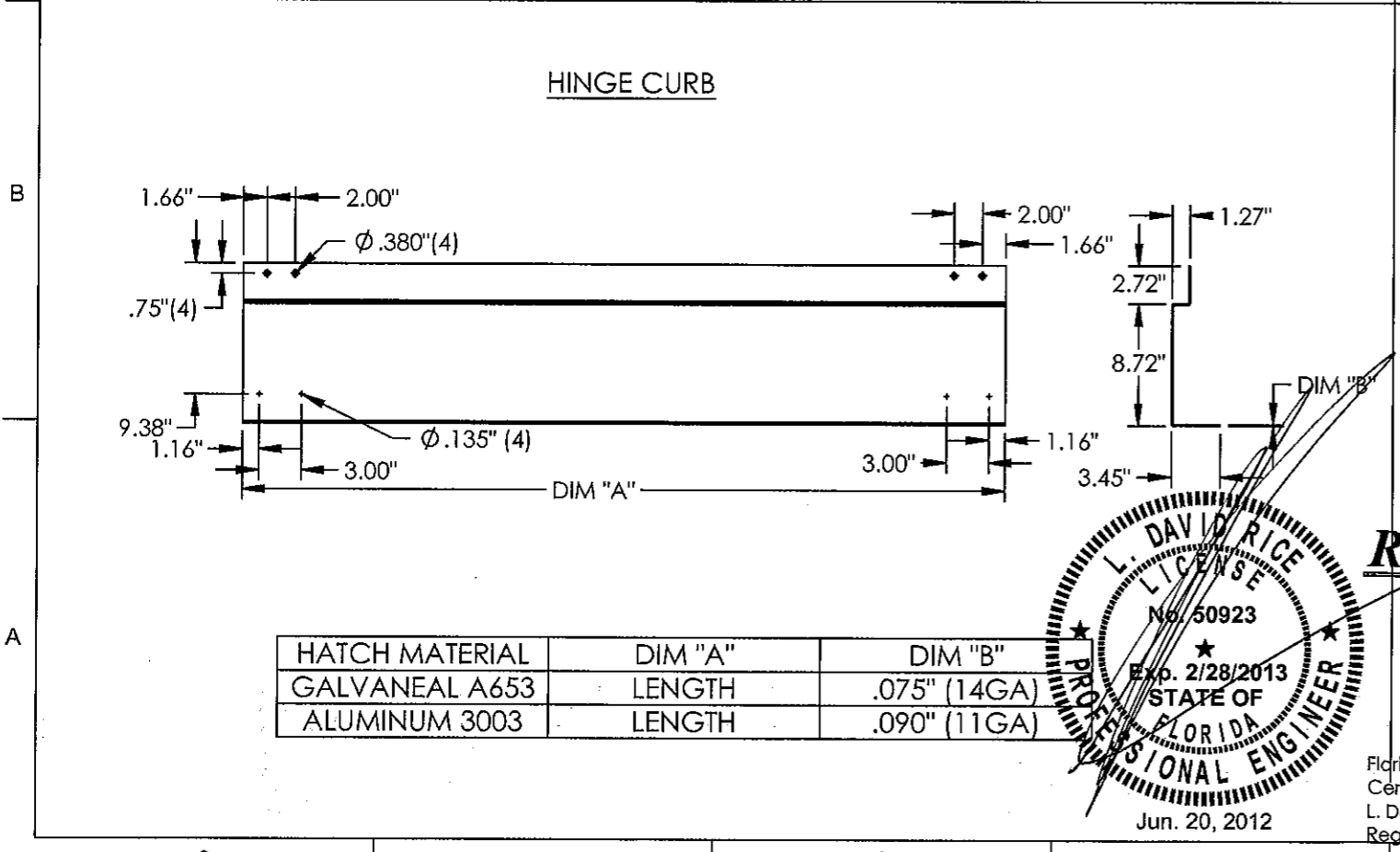


Jun. 20, 2012

<p><b>Babcock-Davis</b>  <small>Always right there.</small>        9300 73rd Avenue North        Brooklyn Park, MN 55428</p>		TITLE: Roof Hatch, Hurricane Zone Series Single Door, Single Wall Curb Single Point Latch	
DRAWN SGS 2/14/12	NAME SGS DATE 2/14/12	SIZE <b>B</b>	DWG. NO. DOOR HATCH ASSEMBLY
RELEASED IMT 6/19/2012	WEIGHT: Weight	SHEET 5 OF 8	REV <b>B</b>

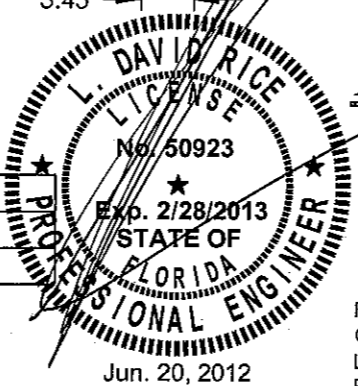


HATCH MATERIAL	DIM "C"	DIM "D"	DIM "E"	DIM "F"
GALVANEAL A653	LENGTH	LENGTH/2" - 1.25"	ø.218"	.075" (14GA)
ALUMINUM 3003	LENGTH	LENGTH/2" - 1.25"	ø.391"	.090" (11GA)



CURB	HATCH MATERIAL	DIM "H"	DIM "I"
TOP CURB	GALVANEAL A653	WIDTH + 6.9	.075 (14GA)
TOP CURB	ALUMINUM 3003	WIDTH + 6.9	.090 (11GA)
BOTTOM CURB	GALVANEAL A653	WIDTH + 6.9	.075 (14GA)
BOTTOM CURB	ALUMINUM 3003	WIDTH + 6.9	.090 (11GA)

HATCH MATERIAL	DIM "A"	DIM "B"
GALVANEAL A653	LENGTH	.075" (14GA)
ALUMINUM 3003	LENGTH	.090" (11GA)



**RICE ENGINEERING**  
 105 School Creek Trail  
 Luxemburg, WI 54217  
 Phone: 920.845.1042  
 Fax: 920.845.1048  
 www.rice-inc.com

Florida Firm No: F-01000005061  
 Certificate of Authorization: #9090  
 L. David Rice  
 Registration No: 50923



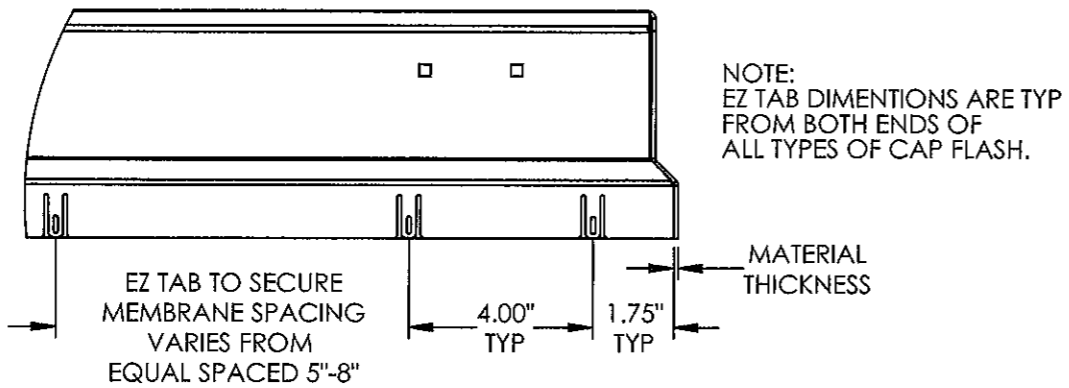
TITLE:  
 Roof Hatch, Hurricane Zone Series  
 Single Door, Single Wall Curb  
 Single Point Latch

NAME	DATE	SIZE	DWG. NO.	REV
SGS	2/14/12	B	DOOR HATCH ASSEMBLY	B
IMT	3/19/2012	WEIGHT: Weight		

Approved as complying with the  
 Florida Building Code  
 Date 07/19/2012  
 NOA# 12-0320.29  
 Miami Dade Product Control  
 By [Signature]



**CAP FLASHING TYP  
EZ TAB LOCATIONS**

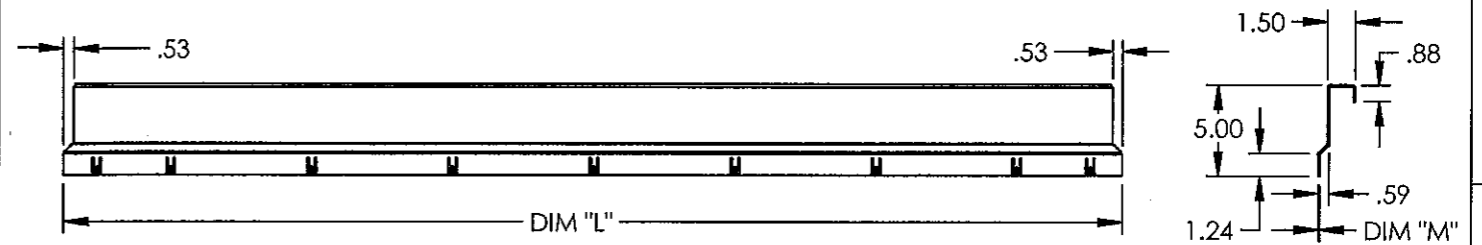


NOTE:  
EZ TAB DIMENSIONS ARE TYP  
FROM BOTH ENDS OF  
ALL TYPES OF CAP FLASH.

EZ TAB TO SECURE  
MEMBRANE SPACING  
VARIES FROM  
EQUAL SPACED 5\"-8\"

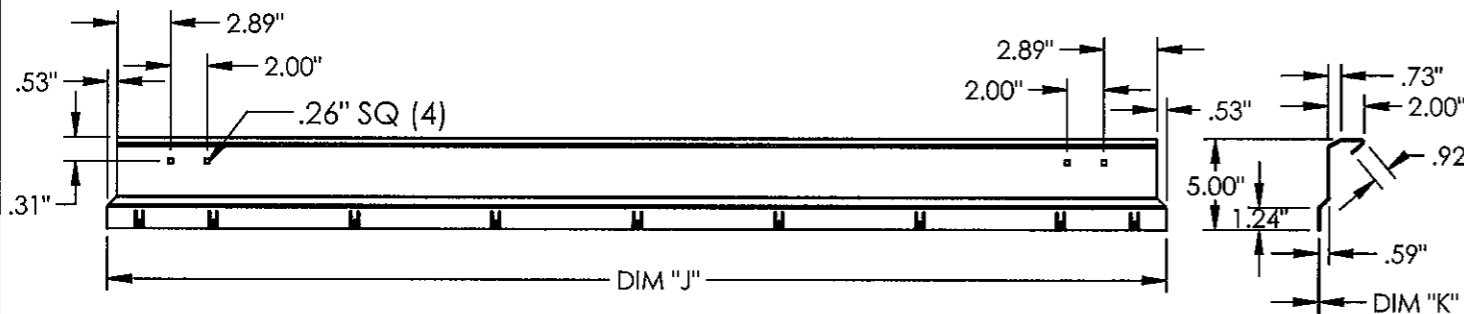
MATERIAL  
THICKNESS

**LATCH CAP FLASHING**



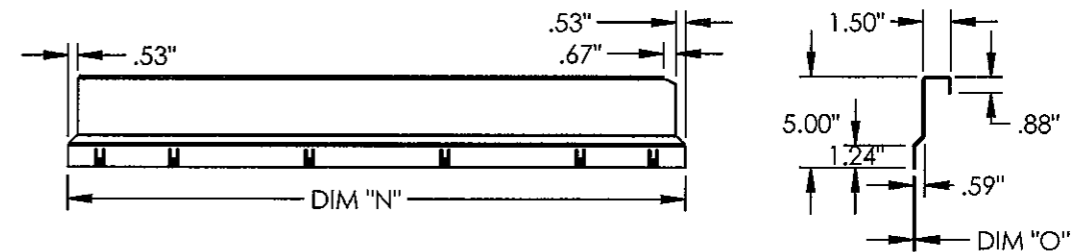
HATCH MATERIAL	DIM "L"	DIM "M"
GALVANEAL A653	LENGTH + 3.51	.075 (14GA)
ALUMINUM 3003	LENGTH + 3.51	.090 (11GA)

**HINGE CAP FLASHING**



Approved as complying with the  
Florida Building Code  
Date 07/19/2012  
NOA# 12-0320.29  
Miami Dade Product Control  
By *[Signature]*

**TOP & BOTTOM CAP FLASHING**



HATCH MATERIAL	DIM "N"	DIM "O"
GALVANEAL A653	WIDTH + 3.56"	.075" (14GA)
ALUMINUM 3003	WIDTH + 3.56"	.090" (11GA)

HATCH MATERIAL	DIM "J"	DIM "K"
GALVANEAL A653	LENGTH + 3.51"	.075" (14GA)
ALUMINUM 3003	LENGTH + 3.51"	.090" (11GA)



**RICE**  
**ENGINEERING**

105 School Creek Trail  
Luxemburg, WI 54217  
Phone: 920.845.1042  
Fax: 920.845.1048  
www.rice-inc.com

Florida Firm No: F-01000005061  
Certificate of Authorization: #9090  
L. David Rice  
Registration No: 50923

**Babcock-Davis**  
Always Right There.  
9300 73rd Avenue North  
Brooklyn Park, MN 55428

TITLE:  
Roof Hatch, Hurricane Zone Series  
Single Door, Single Wall Curb  
Single Point Latch

DRAWN	NAME	DATE	SIZE	DWG. NO.	REV
RELEASED	IMT	6/19/2012	B	DOOR HATCH ASSEMBLY	B
WEIGHT: Weight				SHEET 7 OF 8	

