



DEPARTMENT OF PERMITTING, ENVIRONMENT, AND REGULATORY
AFFAIRS (PERA)
BOARD AND CODE ADMINISTRATION DIVISION

MIAMI-DADE COUNTY
PRODUCT CONTROL SECTION
11805 SW 26 Street, Room 208
Miami, Florida 33175-2474
T (786) 315-2590 F (786) 315-2599
www.miamidade.gov/pera/

NOTICE OF ACCEPTANCE (NOA)

US Aluminum, Inc. – Division of C.R. Laurence Co., Inc.
7500 NW 69th Avenue
Miami, FL 33166

SCOPE:

This NOA is being issued under the applicable rules and regulations governing the use of construction materials. The documentation submitted has been reviewed and accepted by Miami-Dade County PERA - Product Control Section to be used in Miami Dade County and other areas where allowed by the Authority Having Jurisdiction (AHJ).

This NOA shall not be valid after the expiration date stated below. The Miami-Dade County Product Control Section (In Miami Dade County) and/or the AHJ (in areas other than Miami Dade County) reserve the right to have this product or material tested for quality assurance purposes. If this product or material fails to perform in the accepted manner, the manufacturer will incur the expense of such testing and the AHJ may immediately revoke, modify, or suspend the use of such product or material within their jurisdiction. PERA reserves the right to revoke this acceptance, if it is determined by Miami-Dade County Product Control Section that this product or material fails to meet the requirements of the applicable building code.

This product is approved as described herein, and has been designed to comply with the Florida Building Code, including the High Velocity Hurricane Zone.

DESCRIPTION: Series “Delta Doors DSF-450” Aluminum Storefront System – N.I.

APPROVAL DOCUMENT: Drawing No. **W11-09**, titled “Delta Doors Series “DSF-450” Storefront Sys. (N.I.)”, sheets 1 through 12 of 12, dated 02/25/11, with revision B dated 03/20/12, prepared by Al Farooq Corporation, signed and sealed by Javad Ahmad, P.E., bearing the Miami-Dade County Product Control Revision stamp with the Notice of Acceptance number and expiration date by the Miami-Dade County Product Control Section.

MISSILE IMPACT RATING: None.

LABELING: Each unit shall bear a permanent label with the manufacturer's name or logo, city, state, model/series, and following statement: "Miami-Dade County Product Control Approved", unless otherwise noted herein.

RENEWAL of this NOA shall be considered after a renewal application has been filed and there has been no change in the applicable building code negatively affecting the performance of this product.

TERMINATION of this NOA will occur after the expiration date or if there has been a revision or change in the materials, use, and/or manufacture of the product or process. Misuse of this NOA as an endorsement of any product, for sales, advertising or any other purposes shall automatically terminate this NOA. Failure to comply with any section of this NOA shall be cause for termination and removal of NOA.

ADVERTISEMENT: The NOA number preceded by the words Miami-Dade County, Florida, and followed by the expiration date may be displayed in advertising literature. If any portion of the NOA is displayed, then it shall be done in its entirety.

INSPECTION: A copy of this entire NOA shall be provided to the user by the manufacturer or its distributors and shall be available for inspection at the job site at the request of the Building Official. This NOA revises NOA # 11-0415.01 and consists of this page 1 and evidence pages E-1 and E-2, as well as approval document mentioned above.

The submitted documentation was reviewed by **Manuel Perez, P.E.**



MP
5/31/12

NOA No. 12-0329.03
Expiration Date: August 18, 2016
Approval Date: June 07, 2012
Page 1


NOTICE OF ACCEPTANCE: EVIDENCE SUBMITTED

A. DRAWINGS

1. Manufacturer's die drawings and sections.
2. Drawing No. **W11-09**, titled "Delta Doors Series "DSF-450" Storefront Sys. (N.I.)" Sheets 1 through 12 of 12, dated 02/25/11, with revision B dated 03/20/12, prepared by Al-Farooq Corporation, signed and sealed by Javad Ahmad, P.E.

B. TESTS

1. Test reports on: 1) Air Infiltration Test, per FBC, TAS 202-94
2) Uniform Static Air Pressure Test, Loading per FBC TAS 202-94
3) Water Resistance Test, per FBC, TAS 202-94
along with marked-up drawings and installation diagram of a series DSF-450 aluminum window wall system, prepared by Fenestration Testing Laboratory, Inc., Test Report No. **FTL-4305**, dated 08/19/04, signed and sealed by Edmundo Largaespada, P.E.
Reviewed, signed and sealed by Marlin Brinson, P.E.
(Submitted under previous NOA# 11-0415.01)
2. Test reports on: 1) Air Infiltration Test, per FBC, TAS 202-94
2) Uniform Static Air Pressure Test, Loading per FBC TAS 202-94
3) Water Resistance Test, per FBC, TAS 202-94
4) Forced Entry Test, per FBC 2411 3.2.1, TAS 202-94
along with marked-up drawings and installation diagram of a series DSF-450 outswing medium stile aluminum storefront doors with transom and sidelites, prepared by Fenestration Testing Laboratory, Inc., Test Report No. **FTL-4242**, dated 08/18/04, signed and sealed by Edmundo Largaespada, P.E.
Reviewed, signed and sealed by Marlin Brinson, P.E.
(Submitted under previous NOA# 11-0415.01)
3. Test reports on: 1) Air Infiltration Test, per FBC, TAS 202-94
2) Uniform Static Air Pressure Test, Loading per FBC TAS 202-94
3) Water Resistance Test, per FBC, TAS 202-94
4) Forced Entry Test, per FBC 2411 3.2.1, TAS 202-94
along with marked-up drawings and installation diagram of a series DSF-450 non-impact aluminum storefront system, prepared by Hurricane Engineering and Testing, Inc., Test Report No. **HETI-03-1324**, dated 07/22/03 and revised on 01/21/05, signed and sealed by Rafael Droz-Seda, P.E.
(Submitted under previous NOA# 11-0415.01)


Manuel Perez, P.E.
Product Control Examiner
NOA No. 12-0329.03
Expiration Date: August 18, 2016
Approval Date: June 07, 2012

US Aluminum, Inc. – Division of C.R. Laurence Co., Inc.

NOTICE OF ACCEPTANCE: EVIDENCE SUBMITTED

C. CALCULATIONS:

1. Anchor verification calculations and structural analysis, complying with FBC-2007, prepared by Al-Farooq Corporation, dated 03/01/11, signed and sealed by Javad Ahmad, P.E.
(Submitted under previous NOA# 11-0415.01)
2. Glazing complies with ASTM E1300-04

D. QUALITY ASSURANCE

1. Miami-Dade Department of Permitting, Environment, and Regulatory Affairs (PERA).

E. MATERIAL CERTIFICATIONS


1. None.

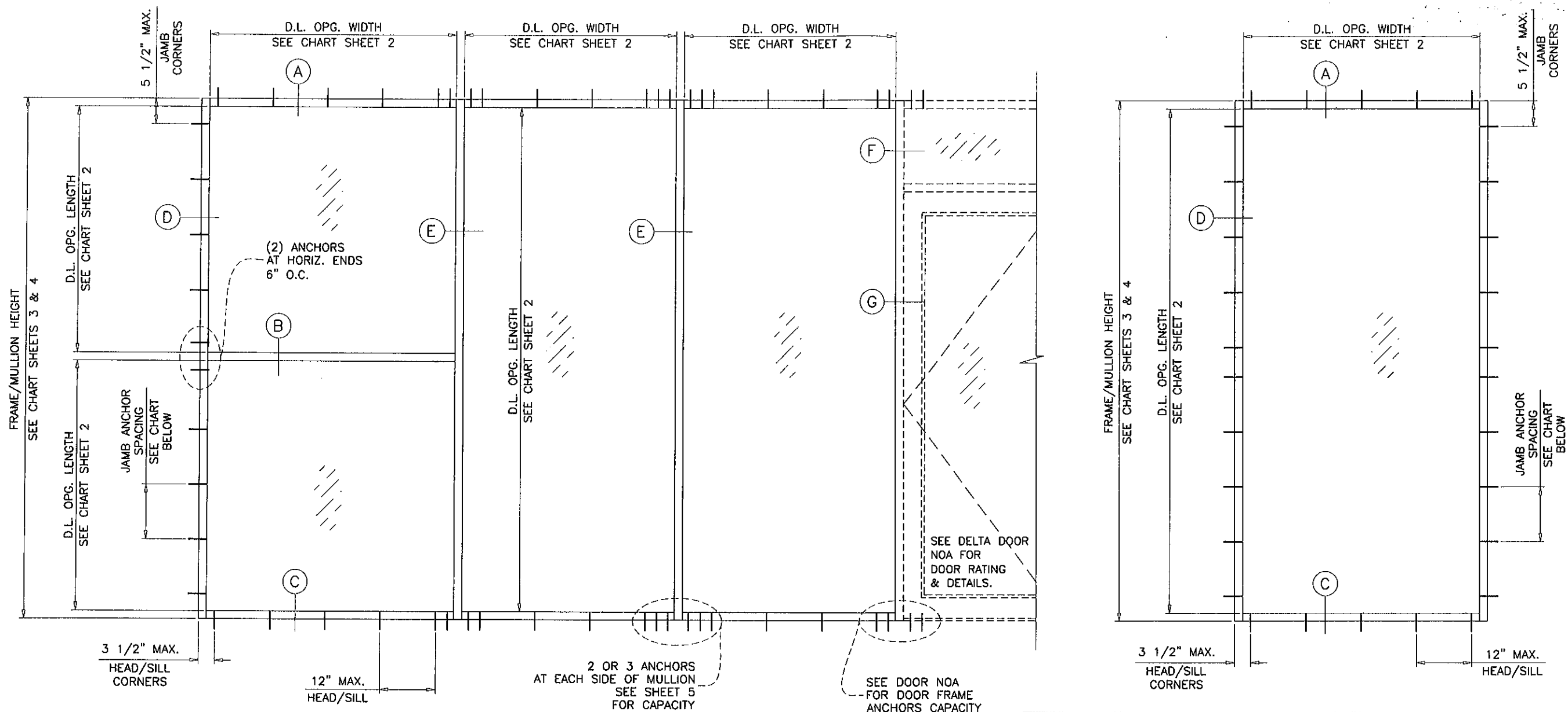
F. STATEMENTS

1. Statement letter of conformance with the FBC 2010, and of no financial interest, dated March 14, 2012, signed and sealed by Javad Ahmad, P.E.
2. Tax Form W-9 "*Request for Taxpayer Identification Number and Certification*", dated 11/16/11, listing employer Tax Identification Number (TIN) # 45 2782767 as identification and certification of company name as: **US Aluminum, Inc.**
(Submitted under NOA# 11-0927.06)

G. OTHERS

1. Notice of Acceptance No. **11-0415.01**, issued to CRL Impact Doors, Inc. dba Delta Doors, for their Series "DHS-450" Aluminum Storefront System – N.I., approved on 08/18/11 and expiring on 08/18/16.


Manuel Perez, P.E.
Product Control Examiner
NOA No. 12-0329.03
Expiration Date: August 18, 2016
Approval Date: June 07, 2012



SERIES DSF-450
ALUMINUM STOREFRONT SYSTEM

THIS SYSTEM MAY BE USED IN CONJUNCTION WITH MIAMI-DADE COUNTY APPROVED FRENCH DOORS. LOWER DESIGN PRESSURE FROM STOREFRONT OR DOOR APPROVAL WILL APPLY TO ENTIRE SYSTEM.

CODE REQUIREMENTS FOR SAFEGUARDS MUST BE OBSERVED.

THIS PRODUCT HAS BEEN DESIGNED AND TESTED TO COMPLY WITH THE REQUIREMENTS OF THE FLORIDA BUILDING CODE INCLUDING HIGH VELOCITY HURRICANE ZONE (HVHZ).

WOOD BUCKS BY OTHERS, MUST BE ANCHORED PROPERLY TO TRANSFER LOADS TO THE STRUCTURE.

ANCHORS SHALL BE AS LISTED, SPACED AS SHOWN ON DETAILS, ANCHORS EMBEDMENT TO BASE MATERIAL SHALL BE BEYOND WALL DRESSING OR STUCCO.

ANCHORING OR LOADING CONDITIONS NOT SHOWN IN THESE DETAILS ARE NOT PART OF THIS APPROVAL.

A LOAD DURATION INCREASE IS USED IN DESIGN OF ANCHORS INTO WOOD ONLY.

MATERIALS INCLUDING BUT NOT LIMITED TO STEEL/METAL SCREWS, THAT COME INTO CONTACT WITH OTHER DISSIMILAR MATERIALS SHALL MEET THE REQUIREMENTS OF THE FLORIDA BLDG. CODE SECTION 2003.8.4.

TYPICAL ELEVATIONS

JAMB ANCHOR SPACING		
ANCHOR TYPES	3/8" SHIM SPACE	1/4" SHIM SPACE
A	6" O.C	-
B	6" O.C.	-
C	6" O.C.	12" O.C.

INSTRUCTIONS:

USE CHARTS AS FOLLOWS.

- STEP 1** DETERMINE DESIGN WIND LOAD REQUIREMENT BASED ON WIND VELOCITY, BLDG. HEIGHT, WIND ZONE USING APPLICABLE ASCE 7 STANDARD.
- STEP 2** SEE CHARTS ON SHEET 2 FOR DESIGN LOAD CAPACITY OF DESIRED GLASS SIZE.
- STEP 3** CHECK MULLION CAPACITY FOR A GIVEN SPACING AND HEIGHT USING CHARTS ON SHEETS 3 & 4 FOR STOREFRONT MULLION AND SHEET 6 & 7 FOR DOOR MULLION. THE CAPACITY SHOULD EXCEED THE DESIGN LOAD.
- STEP 4** USING CHART ON SHEETS 5 SELECT ANCHOR OPTION WITH DESIGN RATING MORE THAN DESIGN LOAD SPECIFIED IN STEP 1 ABOVE.
- STEP 5** THE LOWEST VALUE RESULTING FROM STEPS 2, 3 AND 4 SHALL APPLY TO ENTIRE SYSTEM.

THIS SYSTEM IS NOT RATED FOR IMPACT. INSTALLATION OF THIS PRODUCT IN THE HVHZ AREA REQUIRES THE USE OF APPROVED SHUTTERS OR EXTERNAL PROTECTION DEVICES COMPLYING WITH HVHZ REQUIREMENTS. INSTALLATION OF THIS SYSTEM OUTSIDE THE HVHZ AREA SHALL MEET THE APPLICABLE REQUIREMENTS FOR WIND BORNE DEBRIS PROTECTION.

Engr: JAVAD AHMAD
 CIVIL
 FLA. PE # 70592
 C.A.N. 3538

PRODUCT REVISED as complying with the Florida Building Code
 Acceptance No 17-0329.03
 Expiration Date AUG 18, 2016
 By *[Signature]*
 Miami Dade Product Control
 MAR 23 2012

af c
AL-FAROOQ CORPORATION
 ENGINEERS & PRODUCT DEVELOPMENT
 1235 S.W. 87 AVE
 MIAMI, FLORIDA 33174
 TEL. (305) 264-8100 FAX. (305) 262-6978
 STORE\W11-09DD

Delta Doors Series 'DSF-450' Storefront Sys. (N.I.)
 US Aluminum Inc.
 Division Of C.R. Laurence Co., Inc.
 7500 N.W. 69TH AVE.
 MIAMI, FL 33166
 TEL. (305) 888-0077 FAX. (305) 884-3111

no.	date	description	by
A	07.28.11	REV. PER BNC COMMENTS	
B	03.20.12	UPDATED TO 2010 FBC	

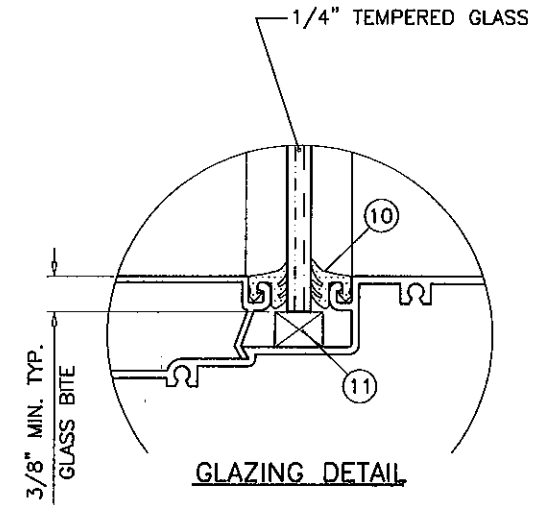
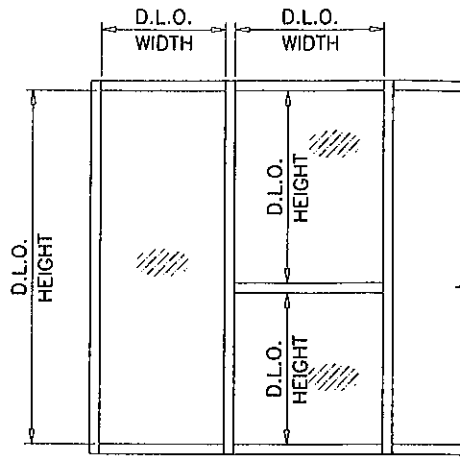
date: 02-25-11
 scale: 1/2" = 1'-0"
 dr. by: HAMID
 chk. by:

drawing no.
W11-09
 sheet 1 of 12

GLASS LOAD CAPACITY - PSF			
NOMINAL DIMS.		1/4" TEMP. GLASS	
D.L.O. WIDTH	D.L.O. HEIGHT	EXT.(+) & INT.(-)	
24"	72"	120.0	
28"		120.0	
32"		120.0	
36"		120.0	
40"		120.0	
44"		120.0	
48"		120.0	
52"		120.0	
56"		120.0	
60"		120.0	
64"		120.0	
68"		120.0	
72"	120.0		
24"	78"	120.0	
28"		120.0	
32"		120.0	
36"		120.0	
40"		120.0	
44"		120.0	
48"		120.0	
52"		120.0	
56"		120.0	
60"		120.0	
64"		120.0	
68"		120.0	
24"	84"	120.0	
28"		120.0	
32"		120.0	
36"		120.0	
40"		120.0	
44"		120.0	
48"		120.0	
52"		120.0	
56"		120.0	
60"		120.0	
64"		120.0	
24"		90"	120.0
28"	120.0		
32"	120.0		
36"	120.0		
40"	120.0		
44"	120.0		
48"	120.0		
52"	120.0		
56"	120.0		
24"	96"		120.0
28"			120.0
32"			120.0
36"		120.0	
40"		120.0	
44"		115.2	
48"		112.6	
52"		111.1	
56"	110.6		

GLASS LOAD CAPACITY - PSF			
NOMINAL DIMS.		1/4" TEMP. GLASS	
D.L.O. WIDTH	D.L.O. HEIGHT	EXT.(+) & INT.(-)	
24"	102"	120.0	
28"		120.0	
32"		120.0	
36"		120.0	
40"		115.2	
44"		107.0	
48"		103.9	
52"		102.4	
24"	108"	120.0	
28"		120.0	
32"		120.0	
36"		120.0	
40"		110.1	
44"		100.9	
48"		96.8	
24"		114"	120.0
28"	120.0		
32"	120.0		
36"	120.0		
40"	106.0		
44"	95.7		
24"	120"		120.0
28"			120.0
32"		120.0	
36"		120.0	
40"		102.9	
44"		92.2	
24"		126"	120.0
28"			120.0
32"	120.0		
36"	119.8		
40"	100.9		
24"	132"		120.0
28"			120.0
32"			120.0
36"		117.8	
24"		138"	120.0
28"			120.0
32"			120.0
36"			115.7
24"	144"		120.0
28"			120.0
32"			120.0
36"			113.7

NOTE:
INTERPOLATION BETWEEN WIDTHS OR HEIGHTS ALLOWED.



NOTE:
GLASS CAPACITIES ON THIS SHEET ARE
BASED ON ASTM E1300-04 (3 SEC. GUSTS).

GLASS

Engr: JAVAD AHMAD
CIVIL
FLA. PE # 70592
C.A.N. 3538

PRODUCT REVISED
as complying with the Florida
Building Code
Acceptance No 12-0329.03
Expiration Date AUG. 18, 2016
By *Javad Ahmad*
Miami Made Product Control

MAR 23 2012

afC
AL-FAROOQ CORPORATION
ENGINEERS & PRODUCT DEVELOPMENT
1235 S.W. 87 AVE
MIAMI, FLORIDA 33174
TEL. (305) 264-8100 FAX. (305) 262-6978
STORE W11-09DD

Delta Doors Series 'DSF-450' Storefront Sys. (N.I.)
US Aluminum Inc.
Division Of C.R. Laurence Co., Inc.
7500 N.W. 69TH AVE.
MIAMI, FL 33166
TEL. (305) 888-0077 FAX. (305) 884-3111

no	date	by	description
A	07.28.11	REV. PER BNC COMMENTS	
B	03.20.12	NO CHANGE THIS SHEET	

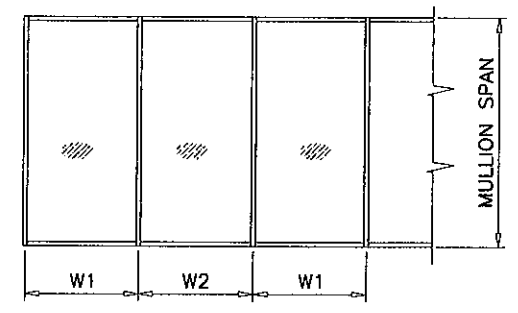
revisions:
date: 02-25-11
scale: -
dr. by: HAMID
chk. by:
drawing no.
W11-09
sheet 2 of 12

MULLION LOAD CAPACITY - PSF WITHOUT INTERMEDIATE HORIZONTALS						
NOMINAL DIMS.		WITHOUT REINFORCING		WITH REINFORCING		
WIDTH (W)	FRAME HEIGHT	EXT.(+)	INT.(-)	EXT.(+)	INT.(-)	
24"	60"	80.0	120.0	80.0	120.0	
30"		80.0	120.0	80.0	120.0	
36"		80.0	120.0	80.0	120.0	
42"		80.0	120.0	80.0	120.0	
48"		80.0	120.0	80.0	120.0	
54"		80.0	120.0	80.0	120.0	
60"		80.0	120.0	80.0	120.0	
66"		80.0	120.0	80.0	120.0	
72"		80.0	120.0	80.0	120.0	
72"		-	-	-	80.0	120.0
24"	66"	80.0	120.0	80.0	120.0	
30"		80.0	120.0	80.0	120.0	
36"		80.0	120.0	80.0	120.0	
42"		80.0	120.0	80.0	120.0	
48"		80.0	110.9	80.0	120.0	
54"		80.0	104.7	80.0	120.0	
60"		80.0	101.1	80.0	120.0	
66"		80.0	99.8	80.0	120.0	
72"		-	-	-	80.0	120.0
72"		-	-	-	80.0	120.0
24"	72"	80.0	120.0	80.0	120.0	
30"		80.0	120.0	80.0	120.0	
36"		80.0	110.5	80.0	120.0	
42"		80.0	97.9	80.0	120.0	
48"		80.0	89.2	80.0	120.0	
54"		80.0	83.2	80.0	120.0	
60"		79.2	79.2	80.0	120.0	
66"		-	-	-	80.0	120.0
72"		-	-	-	80.0	120.0
72"		-	-	-	80.0	120.0
24"	78"	80.0	120.0	80.0	120.0	
30"		80.0	108.0	80.0	120.0	
36"		80.0	92.0	80.0	120.0	
42"		80.0	81.1	80.0	120.0	
48"		73.4	73.4	80.0	120.0	
54"		67.9	67.9	80.0	120.0	
60"		-	-	-	80.0	120.0
66"		-	-	-	80.0	116.6
72"		-	-	-	80.0	113.7
72"		-	-	-	80.0	113.7
24"	84"	80.0	112.8	80.0	120.0	
30"		80.0	91.6	80.0	120.0	
36"		77.8	77.8	80.0	120.0	
42"		68.3	68.3	80.0	120.0	
48"		61.4	61.4	80.0	117.8	
54"		56.5	56.5	80.0	108.3	
60"		-	-	-	80.0	101.3
66"		-	-	-	80.0	96.3
72"		-	-	-	80.0	92.9
72"		-	-	-	80.0	92.9
24"	90"	80.0	97.0	80.0	120.0	
30"		78.6	78.6	80.0	120.0	
36"		66.6	66.6	80.0	120.0	
42"		58.3	58.3	80.0	112.7	
48"		52.2	52.2	80.0	101.0	
54"		-	-	-	80.0	92.4
60"		-	-	-	80.0	85.9
66"		-	-	-	80.0	81.1
72"		-	-	-	77.7	77.7
72"		-	-	-	77.7	77.7

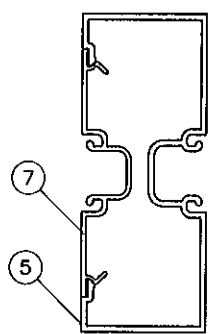
MULLION LOAD CAPACITY - PSF WITHOUT INTERMEDIATE HORIZONTALS					
NOMINAL DIMS.		WITHOUT REINFORCING		WITH REINFORCING	
WIDTH (W)	FRAME HEIGHT	EXT.(+)	INT.(-)	EXT.(+)	INT.(-)
24"	96"	80.0	80.5	80.0	120.0
30"		65.3	65.3	80.0	120.0
36"		55.4	55.4	80.0	112.6
42"		48.5	48.5	80.0	98.2
48"		43.5	43.5	80.0	87.7
54"		-	-	79.9	79.9
60"		-	-	74.0	74.0
66"		-	-	69.4	69.4
72"		-	-	66.1	66.1
72"		-	-	66.1	66.1
24"	102"	67.0	67.0	80.0	120.0
30"		54.2	54.2	80.0	117.5
36"		45.9	45.9	80.0	99.2
42"		40.1	40.1	80.0	86.3
48"		-	-	76.9	76.9
54"		-	-	69.8	69.8
60"		-	-	64.4	64.4
66"		-	-	60.2	60.2
66"		-	-	60.2	60.2
66"		-	-	60.2	60.2
24"	108"	56.3	56.3	80.0	120.0
30"		45.5	45.5	80.0	104.5
36"		38.5	38.5	80.0	88.1
42"		33.5	33.5	76.5	76.5
48"		-	-	68.0	68.0
54"		-	-	61.6	61.6
60"		-	-	56.6	56.6
66"		-	-	52.8	52.8
66"		-	-	52.8	52.8
66"		-	-	52.8	52.8
24"	114"	47.8	47.8	80.0	116.0
30"		38.6	38.6	80.0	93.6
36"		32.5	32.5	78.7	78.7
42"		-	-	68.3	68.3
48"		-	-	60.6	60.6
54"		-	-	54.8	54.8
60"		-	-	50.2	50.2
60"		-	-	50.2	50.2
60"		-	-	50.2	50.2
60"		-	-	50.2	50.2
24"	120"	40.9	40.9	80.0	104.6
30"		33.0	33.0	80.0	84.3
36"		27.8	27.8	70.8	70.8
42"		-	-	61.4	61.4
48"		-	-	54.4	54.4
54"		-	-	49.1	49.1
60"		-	-	44.9	44.9
60"		-	-	44.9	44.9
60"		-	-	44.9	44.9
60"		-	-	44.9	44.9
24"	126"	35.3	35.3	80.0	94.7
30"		28.4	28.4	76.3	76.3
36"		23.9	23.9	64.1	64.1
42"		-	-	55.5	55.5
48"		-	-	49.1	49.1
54"		-	-	44.2	44.2
54"		-	-	44.2	44.2
54"		-	-	44.2	44.2
54"		-	-	44.2	44.2
54"		-	-	44.2	44.2

NOTE:
INTERPOLATION BETWEEN WIDTHS OR HEIGHTS ALLOWED.

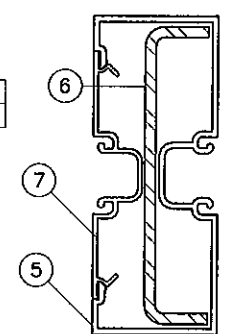
MULLION LOAD CAPACITY - PSF WITHOUT INTERMEDIATE HORIZONTALS					
NOMINAL DIMS.		WITHOUT REINFORCING		WITH REINFORCING	
WIDTH (W)	FRAME HEIGHT	EXT.(+)	INT.(-)	EXT.(+)	INT.(-)
24"	132"	30.6	30.6	80.0	86.2
30"		24.7	24.7	69.4	69.4
36"		-	-	58.2	58.2
42"		-	-	50.4	50.4
48"		-	-	44.5	44.5
54"	-	-	40.1	40.1	
24"	138"	26.8	26.8	78.8	78.8
30"		21.6	21.6	63.4	63.4
36"		-	-	53.2	53.2
42"		-	-	46.0	46.0
48"	-	-	40.6	40.6	
24"	144"	23.5	23.5	72.3	72.3
30"		18.9	18.9	58.2	58.2
36"		-	-	48.8	48.8
42"		-	-	42.1	42.1
48"		-	-	37.2	37.2
48"		-	-	37.2	37.2



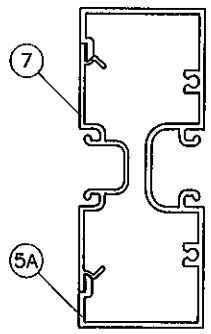
$$\text{WIDTH (W)} = \frac{W1 + W2}{2}$$



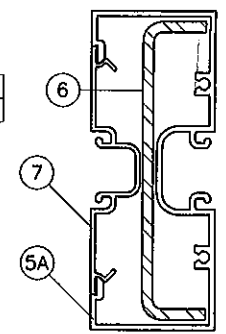
Ix IN ⁴	Sx IN ³
2.7207	1.2092



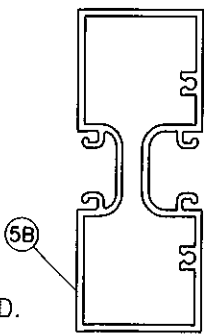
ALUMINUM	Ix IN ⁴	Sx IN ³
STEEL	2.7207	1.2092
TOTAL	2.0697	.9856
Ix ALUM + Ix STL X 2.9	8.7228	



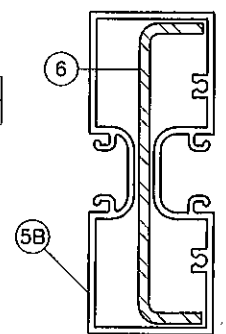
Ix IN ⁴	Sx IN ³
2.7745	1.2331



ALUMINUM	Ix IN ⁴	Sx IN ³
STEEL	2.7745	1.2331
TOTAL	2.0697	.9856
Ix ALUM + Ix STL X 2.9	8.7766	



Ix IN ⁴	Sx IN ³
3.0941	1.3752



ALUMINUM	Ix IN ⁴	Sx IN ³
STEEL	3.0941	1.3752
TOTAL	2.0697	.9856
Ix ALUM + Ix STL X 2.9	9.0962	

MULLION
W/O REINFORCING

MULLION
W/ REINFORCING

Engr: JAVAD AHMAD
CIVIL
FLA. PE # 70592
C.A.N. 3538

[Signature]

PRODUCT REVISED
as complying with the Florida
Building Code
Acceptance No. 12-0329.03
Expiration Date AUG 18, 2016
By *[Signature]*
Miami/Dade Product Control
MAR 23 2012

MULLIONS

AL-FAROOQ CORPORATION
ENGINEERS & PRODUCT DEVELOPMENT
1235 S.W. 87 AVE
MIAMI, FLORIDA 33174
TEL. (305) 264-8100 FAX. (305) 262-6978
STORE W11-09DD

Delta Doors Series 'DSF-450' Storefront Sys. (N.I.)

US Aluminum Inc.
Division Of C.R. Laurence Co., Inc.
7500 N.W. 69TH AVE.
MIAMI, FL 33166
TEL. (305) 888-0077 FAX. (305) 884-3111

no.	date	by	description
A	07.28.11		REV. PER BNC COMMENTS
B	03.20.12		NO CHANGE THIS SHEET

date: 02-25-11
scale: -
dr. by: HAMID
chk. by:

drawing no.
W11-09

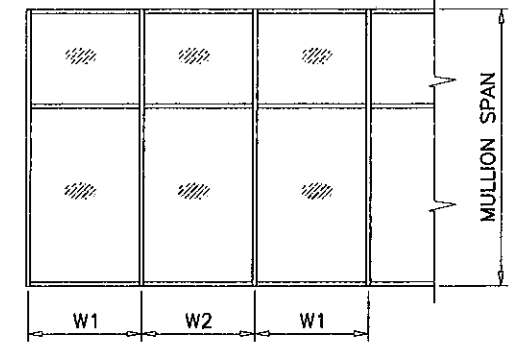
sheet 3 of 12

MULLION LOAD CAPACITY - PSF WITH INTERMEDIATE HORIZONTALS					
NOMINAL DIMS.		WITHOUT REINFORCING		WITH REINFORCING	
WIDTH (W)	FRAME HEIGHT	EXT.(+)	INT.(-)	EXT.(+)	INT.(-)
24"	60"	80.0	120.0	80.0	120.0
30"		80.0	120.0	80.0	120.0
36"		80.0	120.0	80.0	120.0
42"		80.0	120.0	80.0	120.0
48"		80.0	111.8	80.0	120.0
54"		80.0	99.4	80.0	120.0
60"		80.0	89.5	80.0	120.0
66"		80.0	81.3	80.0	120.0
72"	74.6	74.6	80.0	120.0	
24"	66"	80.0	120.0	80.0	120.0
30"		80.0	120.0	80.0	120.0
36"		80.0	120.0	80.0	120.0
42"		80.0	104.6	80.0	120.0
48"		80.0	91.5	80.0	120.0
54"		80.0	81.3	80.0	120.0
60"		73.2	73.2	80.0	120.0
66"		66.5	66.5	80.0	120.0
72"	-	-	80.0	113.6	
24"	72"	80.0	120.0	80.0	120.0
30"		80.0	120.0	80.0	120.0
36"		80.0	101.5	80.0	120.0
42"		80.0	87.0	80.0	120.0
48"		76.1	76.1	80.0	120.0
54"		67.7	67.7	80.0	120.0
60"		60.9	60.9	80.0	114.6
66"		-	-	80.0	104.2
72"	-	-	80.0	95.5	
24"	78"	80.0	120.0	80.0	120.0
30"		80.0	102.8	80.0	120.0
36"		80.0	85.6	80.0	120.0
42"		73.4	73.4	80.0	120.0
48"		64.2	64.2	80.0	120.0
54"		57.1	57.1	80.0	108.5
60"		-	-	80.0	97.6
66"		-	-	80.0	88.8
72"	-	-	80.0	81.4	
24"	84"	80.0	109.7	80.0	120.0
30"		80.0	87.8	80.0	120.0
36"		73.2	73.2	80.0	120.0
42"		62.7	62.7	80.0	120.0
48"		54.9	54.9	80.0	105.2
54"		48.8	48.8	80.0	93.5
60"		-	-	80.0	84.2
66"		-	-	76.5	76.5
72"	-	-	70.2	70.2	
24"	90"	80.0	94.7	80.0	120.0
30"		75.8	75.8	80.0	120.0
36"		63.2	63.2	80.0	120.0
42"		54.1	54.1	80.0	104.8
48"		47.4	47.4	80.0	91.7
54"		-	-	80.0	81.5
60"		-	-	73.3	73.3
66"		-	-	66.7	66.7
72"	-	-	61.1	61.1	

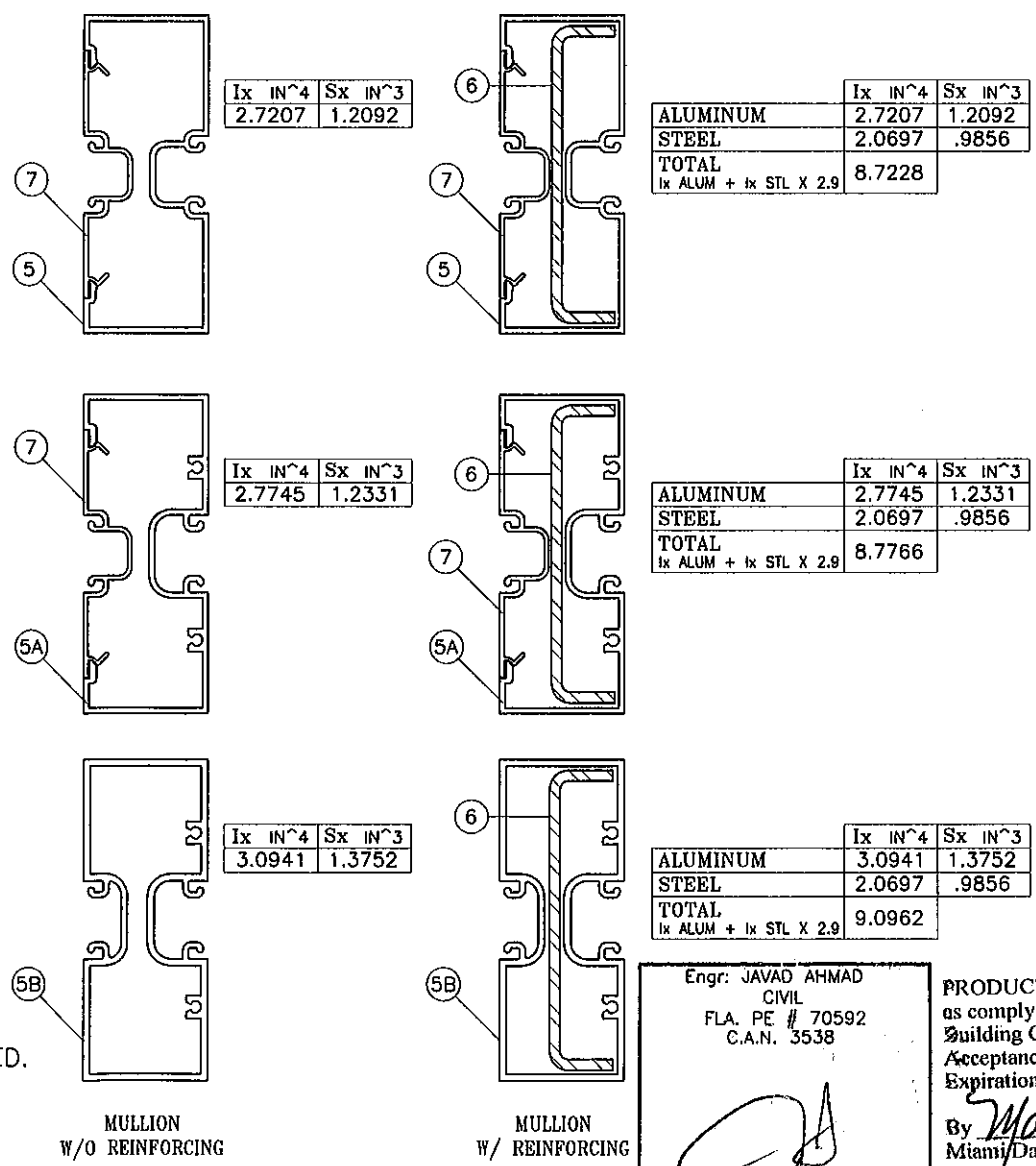
MULLION LOAD CAPACITY - PSF WITH INTERMEDIATE HORIZONTALS					
NOMINAL DIMS.		WITHOUT REINFORCING		WITH REINFORCING	
WIDTH (W)	FRAME HEIGHT	EXT.(+)	INT.(-)	EXT.(+)	INT.(-)
24"	96"	78.7	78.7	80.0	120.0
30"		63.0	63.0	80.0	120.0
36"		52.5	52.5	80.0	107.4
42"		45.0	45.0	80.0	92.1
48"		39.4	39.4	80.0	80.6
54"		-	-	71.6	71.6
60"		-	-	64.5	64.5
66"		-	-	58.6	58.6
72"	-	-	53.7	53.7	
24"	102"	65.6	65.6	80.0	120.0
30"		52.5	52.5	80.0	114.2
36"		43.8	43.8	80.0	95.2
42"		37.5	37.5	80.0	81.6
48"		-	-	71.4	71.4
54"		-	-	63.4	63.4
60"		-	-	57.1	57.1
66"		-	-	51.9	51.9
24"	108"	55.3	55.3	80.0	120.0
30"		44.2	44.2	80.0	101.9
36"		36.9	36.9	80.0	84.9
42"		31.6	31.6	72.8	72.8
48"		-	-	63.7	63.7
54"		-	-	56.6	56.6
60"		-	-	50.9	50.9
66"		-	-	46.3	46.3
24"	114"	47.0	47.0	80.0	114.3
30"		37.6	37.6	80.0	91.4
36"		31.3	31.3	76.2	76.2
42"		-	-	65.3	65.3
48"		-	-	57.1	57.1
54"		-	-	50.8	50.8
60"		-	-	45.7	45.7
24"		120"	40.3	40.3	80.0
30"	32.2		32.2	80.0	82.5
36"	26.9		26.9	68.8	68.8
42"	-		-	58.9	58.9
48"	-		-	51.6	51.6
54"	-		-	45.8	45.8
60"	-		-	41.3	41.3
24"	126"		34.8	34.8	80.0
30"		27.9	27.9	74.8	74.8
36"		23.2	23.2	62.4	62.4
42"		-	-	53.5	53.5
48"		-	-	46.8	46.8
54"		-	-	41.6	41.6

NOTE: INTERPOLATION BETWEEN WIDTHS OR HEIGHTS ALLOWED.

MULLION LOAD CAPACITY - PSF WITH INTERMEDIATE HORIZONTALS					
NOMINAL DIMS.		WITHOUT REINFORCING		WITH REINFORCING	
WIDTH (W)	FRAME HEIGHT	EXT.(+)	INT.(-)	EXT.(+)	INT.(-)
24"	132"	30.3	30.3	80.0	85.2
30"		24.2	24.2	68.2	68.2
36"		-	-	56.8	56.8
42"		-	-	48.7	48.7
48"		-	-	42.6	42.6
54"	-	-	37.9	37.9	
24"	138"	26.5	26.5	78.0	78.0
30"		21.2	21.2	62.4	62.4
36"		-	-	52.0	52.0
42"	-	-	44.6	44.6	
48"	-	-	39.0	39.0	
24"	144"	23.3	23.3	71.6	71.6
30"		18.7	18.7	57.3	57.3
36"		-	-	47.7	47.7
42"		-	-	40.9	40.9
48"		-	-	35.8	35.8



$$WIDTH (W) = \frac{W1 + W2}{2}$$



MULLION W/O REINFORCING

MULLION W/ REINFORCING

Engr: JAVAD AHMAD
CIVIL
FLA. PE # 70592
C.A.N. 3538

PRODUCT REVISED
as complying with the Florida
Building Code
Acceptance No 12-0329.03
Expiration Date AUG 18, 2016
By *Manuel*
Miami/Dade Product Control
MAR 23 2012

MULLIONS

afC
AL-FAROOQ CORPORATION
ENGINEERS & PRODUCT DEVELOPMENT
1235 S.W. 87 AVE
MIAMI, FLORIDA 33174
TEL. (305) 262-6978
FAX. (305) 264-8100

Delta Doors Series 'DSF-450' Storefront Sys. (N.I.)
US Aluminum Inc.
Division Of C.R. Laurence Co., Inc.
7500 N.W. 69TH AVE.
MIAMI, FL 33166
TEL. (305) 888-0077 FAX. (305) 884-3111

revisions:
no. date by description
A 07.28.11 REV. PER BNC COMMENTS
B 03.20.12 NO CHANGE THIS SHEET

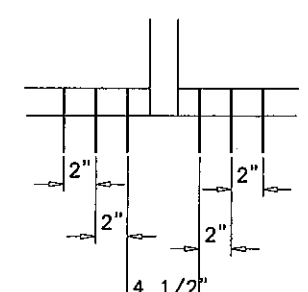
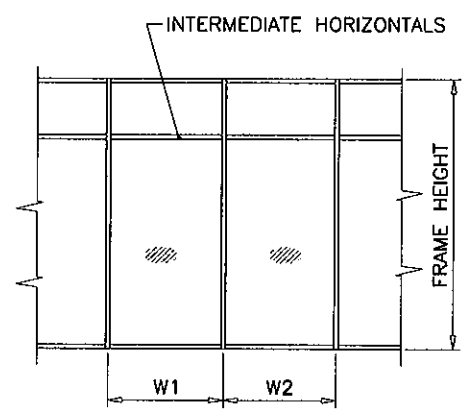
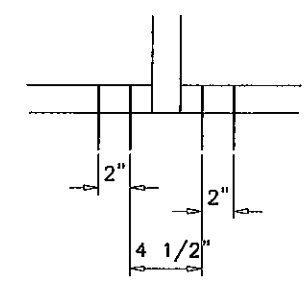
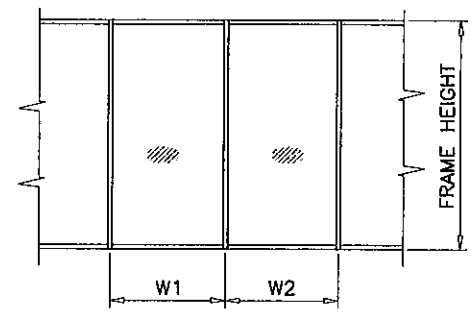
date: 02-25-11
scale: -
dr. by: HAMID
chk. by:

drawing no.
W11-09
sheet 4 of 12

ANCHOR LOAD CAPACITY - PSF EXT.(+) & INT.(-)						
NOMINAL DIMS.		3/8" SHIM SPACE			1/4" SHIM SPACE	
WIDTH (W)	FRAME HEIGHT	A2/B2	C2	A3/B3	A2/B2	A3/B3/C2
24"	60"	120.0	120.0	120.0	120.0	120.0
30"		120.0	120.0	120.0	120.0	120.0
36"		120.0	120.0	120.0	120.0	120.0
42"		120.0	120.0	120.0	120.0	120.0
48"		120.0	120.0	120.0	120.0	120.0
54"		112.0	120.0	120.0	120.0	120.0
60"		115.2	120.0	120.0	120.0	120.0
66"		104.7	120.0	120.0	120.0	120.0
72"	108.0	120.0	120.0	120.0	120.0	
24"	66"	120.0	120.0	120.0	120.0	120.0
30"		120.0	120.0	120.0	120.0	120.0
36"		120.0	120.0	120.0	120.0	120.0
42"		112.2	120.0	120.0	120.0	120.0
48"		114.5	120.0	120.0	120.0	120.0
54"		101.8	120.0	120.0	120.0	120.0
60"		104.7	120.0	120.0	120.0	120.0
66"		95.2	120.0	119.0	120.0	120.0
72"	98.2	120.0	120.0	120.0	120.0	
24"	72"	120.0	120.0	120.0	120.0	120.0
30"		120.0	120.0	120.0	120.0	120.0
36"		120.0	120.0	120.0	120.0	120.0
42"		102.9	120.0	120.0	120.0	120.0
48"		105.0	120.0	120.0	120.0	120.0
54"		93.3	120.0	120.0	117.7	120.0
60"		96.0	120.0	120.0	120.0	120.0
66"		87.3	120.0	109.1	110.1	120.0
72"	90.0	120.0	110.0	113.5	120.0	
24"	78"	120.0	120.0	120.0	120.0	120.0
30"		110.8	120.0	120.0	120.0	120.0
36"		110.8	120.0	120.0	120.0	120.0
42"		94.9	120.0	120.0	119.7	120.0
48"		96.9	120.0	120.0	120.0	120.0
54"		86.2	119.2	110.8	108.6	120.0
60"		88.6	120.0	110.8	111.8	120.0
66"		80.6	111.4	100.7	101.6	120.0
72"	83.1	114.9	101.5	104.8	120.0	
24"	84"	120.0	120.0	120.0	120.0	120.0
30"		102.9	120.0	120.0	120.0	120.0
36"		102.9	120.0	120.0	120.0	120.0
42"		88.2	120.0	117.6	111.2	120.0
48"		90.0	120.0	115.7	113.5	120.0
54"		80.0	110.7	102.9	100.9	120.0
60"		82.3	113.8	102.9	103.8	120.0
66"		74.8	103.5	93.5	94.3	117.9
72"	77.1	106.7	94.3	97.3	118.9	
24"	90"	120.0	120.0	120.0	120.0	120.0
30"		96.0	120.0	120.0	120.0	120.0
36"		96.0	120.0	120.0	120.0	120.0
42"		82.3	113.8	109.7	103.8	120.0
48"		84.0	116.2	108.0	105.9	120.0
54"		74.7	103.3	96.0	94.2	120.0
60"		76.8	106.2	96.0	96.9	120.0
66"		69.8	96.6	87.3	88.0	110.1
72"	72.0	99.6	88.0	90.8	111.0	

ANCHOR LOAD CAPACITY - PSF EXT.(+) & INT.(-)						
NOMINAL DIMS.		3/8" SHIM SPACE			1/4" SHIM SPACE	
WIDTH (W)	FRAME HEIGHT	A2/B2	C2	A3/B3	A2/B2	A3/B3/C2
24"	96"	112.5	120.0	120.0	120.0	120.0
30"		90.0	120.0	120.0	113.5	120.0
36"		90.0	120.0	120.0	113.5	120.0
42"		77.1	106.7	102.9	97.3	120.0
48"		78.8	108.9	101.3	99.3	120.0
54"		70.0	96.8	90.0	88.3	113.5
60"		72.0	99.6	90.0	90.8	113.5
66"		65.5	90.5	81.8	82.5	103.2
72"	67.5	93.4	82.5	85.1	104.0	
24"	102"	105.9	120.0	120.0	120.0	120.0
30"		84.7	117.2	118.6	106.8	120.0
36"		84.7	117.2	112.9	106.8	120.0
42"		72.6	100.4	96.8	91.6	120.0
48"		74.1	102.5	95.3	93.5	120.0
54"		65.9	91.1	84.7	83.1	106.8
60"		67.8	93.7	84.7	85.5	106.8
66"		61.6	85.2	77.0	77.7	97.1
24"	108"	100.0	120.0	120.0	120.0	120.0
30"		80.0	110.7	112.0	100.9	120.0
36"		80.0	110.7	106.7	100.9	120.0
42"		68.6	94.9	91.4	86.5	115.3
48"		70.0	96.8	90.0	88.3	113.5
54"		62.2	86.1	80.0	78.5	100.9
60"		64.0	88.5	80.0	80.7	100.9
66"		58.2	80.5	72.7	73.4	91.7
24"	114"	94.7	120.0	120.0	119.5	120.0
30"		75.8	104.8	106.1	95.6	120.0
36"		75.8	104.8	101.1	95.6	120.0
42"		65.0	89.9	86.6	81.9	109.2
48"		66.3	91.7	85.3	83.6	107.5
54"		58.9	81.5	75.8	74.3	95.6
60"		60.6	83.9	75.8	76.5	95.6
66"		57.6	79.7	72.0	72.6	90.8
24"	120"	90.0	120.0	120.0	113.5	120.0
30"		72.0	99.6	100.8	90.8	120.0
36"		72.0	99.6	96.0	90.8	120.0
42"		61.7	85.4	82.3	77.8	103.8
48"		63.0	87.2	81.0	79.5	102.2
54"		56.0	77.5	72.0	70.6	90.8
60"		57.6	79.7	72.0	72.6	90.8
66"		57.6	79.7	72.0	72.6	90.8
24"	126"	85.7	118.6	120.0	108.1	120.0
30"		68.6	94.9	96.0	86.5	120.0
36"		68.6	94.9	91.4	86.5	115.3
42"		58.8	81.3	78.4	74.1	98.8
48"		60.0	83.0	77.1	75.7	97.3
54"		53.3	73.8	68.6	67.3	86.5
60"		53.3	73.8	68.6	67.3	86.5
66"		53.3	73.8	68.6	67.3	86.5
24"	132"	81.8	113.2	114.5	103.2	120.0
30"		65.5	90.5	91.6	82.5	115.6
36"		65.5	90.5	87.3	82.5	110.1
42"		56.1	77.6	74.8	70.8	94.3
48"		57.3	79.2	73.6	72.2	92.9
54"		50.9	70.4	65.5	64.2	82.5
60"		50.9	70.4	65.5	64.2	82.5
66"		50.9	70.4	65.5	64.2	82.5

ANCHOR LOAD CAPACITY - PSF EXT.(+) & INT.(-)						
NOMINAL DIMS.		3/8" SHIM SPACE			1/4" SHIM SPACE	
WIDTH (W)	FRAME HEIGHT	A2/B2	C2	A3/B3	A2/B2	A3/B3/C2
24"	138"	78.3	108.3	109.6	98.7	120.0
30"		62.6	86.6	87.7	79.0	110.5
36"		62.6	86.6	83.5	79.0	105.3
42"		53.7	74.2	71.6	67.7	90.2
48"		54.8	75.8	70.4	69.1	88.8
24"	144"	75.0	103.8	105.0	94.6	120.0
30"		60.0	83.0	84.0	75.7	105.9
36"		60.0	83.0	80.0	75.7	100.9
42"		51.4	71.1	68.6	64.9	86.5
48"		52.5	72.6	67.5	66.2	85.1



$$WIDTH (W) = \frac{W1 + W2}{2}$$

ANCHORS TYPES: SEE SHEET 9 FOR DESCRIPTION

- A2 = (2) ANCHORS TYPE 'A' AT EACH SIDE OF MULLION
- B2 = (2) ANCHORS TYPE 'B' AT EACH SIDE OF MULLION
- C2 = (2) ANCHORS TYPE 'C' AT EACH SIDE OF MULLION
- A3 = (3) ANCHORS TYPE 'A' AT EACH SIDE OF MULLION
- B3 = (3) ANCHORS TYPE 'B' AT EACH SIDE OF MULLION

ALL OTHER ANCHORS TO BE SPACED AS PER ELEVATION.

Engr: JAVAD AHMAD
CIVIL
FLA. PE # 70592
C.A.N. 3538

PRODUCT REVISED
as complying with the Florida
Building Code
Acceptance No 12-0329-03
Expiration Date AUG 15, 2016
By *Manuel Perez*
Miami/Orade Product Control
MAR 23 2012

ANCHORS

AL-FAROOQ CORPORATION
ENGINEERS & PRODUCT DEVELOPMENT
1235 S.W. 87 AVE
MIAMI, FLORIDA 33174
TEL (305) 264-8100 FAX (305) 262-6978
STORE W11-09DD

Delta Doors Series 'DSF-450' Storefront Sys. (N.I.)

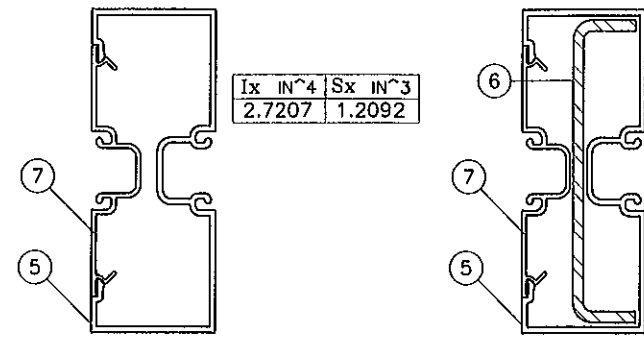
US Aluminum Inc.
Division Of C.R. Laurence Co., Inc.
7500 N.W. 69TH AVE.
MIAMI, FL 33166
TEL (305) 888-0077 FAX (305) 884-3111

NO	DATE	DESCRIPTION	REV. PER BNC COMMENTS
A	07.28.11		NO CHANGE THIS SHEET
B	03.20.12		

date: 02-25-11
scale: -
dr. by: HAMID
chk. by:

drawing no.
W11-09
sheet 5 of 12

DOOR MULLION LOAD CAPACITY-PSF			
WIDTH (W) INCHES	FRAME HEIGHT INCHES	WITHOUT REINF.	WITH REINF.
		EXT.(+) & INT.(-)	EXT.(+) & INT.(-)
24	80	93.6	93.6
30		93.6	93.6
36		80.9	93.6
42		69.4	93.6
48		60.7	93.6
54		-	93.6
60	-	92.8	
24	84	93.6	93.6
30		87.6	93.6
36		73.0	93.6
42		62.5	93.6
48		54.7	93.6
54		-	93.5
60	-	84.2	
24	90	93.6	93.6
30		75.6	93.6
36		63.0	93.6
42		54.0	93.6
48		-	91.7
54		-	81.5
60	-	73.3	
24	96	78.7	93.6
30		63.0	93.6
36		52.5	93.6
42		45.0	92.1
48		-	80.6
54		-	71.6
60	-	64.5	
24	102	65.6	93.6
30		52.5	93.6
36		43.8	93.6
42		-	81.6
48		-	71.4
54		-	63.4
60	-	57.1	
24	108	55.3	93.6
30		44.2	93.6
36		36.9	84.9
42		-	72.8
48		-	63.7
54		-	56.6
60	-	50.9	
24	114	47.0	93.6
30		37.6	91.4
36		31.3	76.2
42		-	65.3
48		-	57.1
54		-	50.8
60	-	45.7	
24	120	40.3	93.6
30		32.2	82.5
36		-	68.8
42		-	58.9
48		-	51.6
54		-	45.8
60	-	41.3	

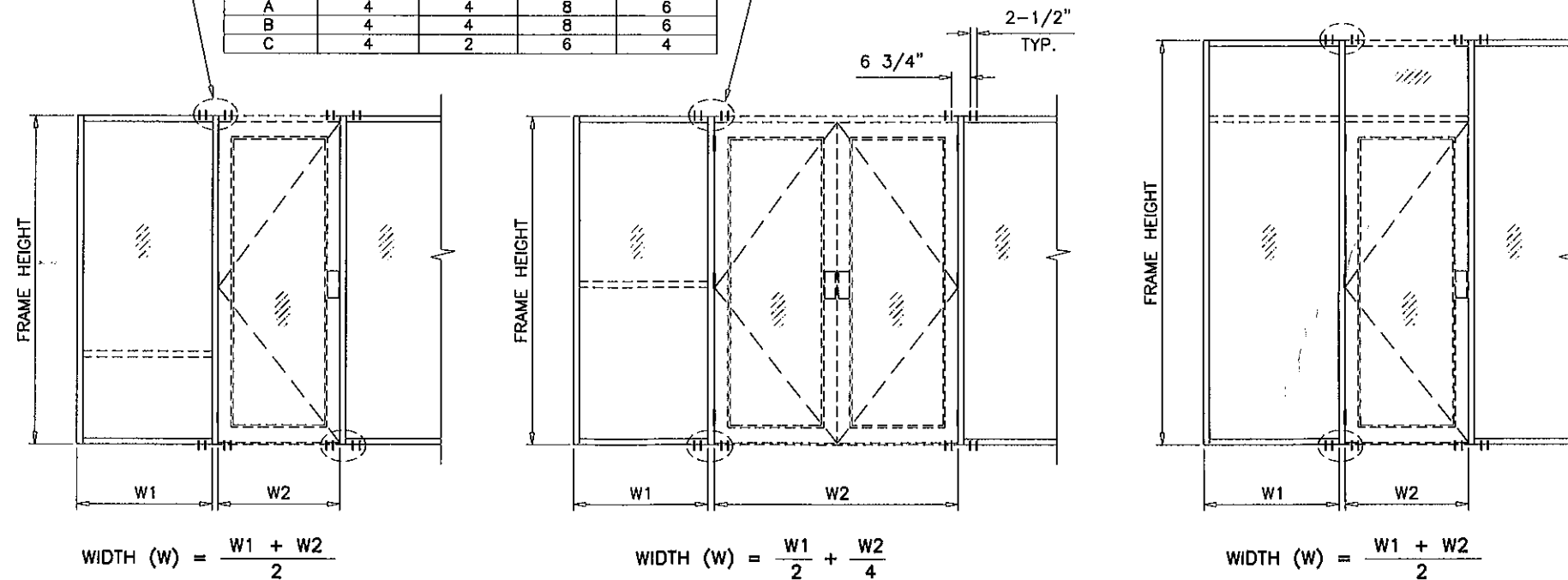


WITHOUT REINF.

WITH REINF.

	Ix IN ⁴	Sx IN ³
ALUMINUM	2.7207	1.2092
STEEL	2.0697	.9856
TOTAL Ix ALUM + Ix STL X 2.9	8.7228	

ANCHOR TYPES	NO. OF ANCHORS AT DOOR MULLION			
	WITHOUT REINF.		WITH REINF.	
	3/8" SHIMS	1/4" SHIMS	3/8" SHIMS	1/4" SHIMS
A	4	4	8	6
B	4	4	8	6
C	4	2	6	4



DOOR MULLION

Engr: JAVAD AHMAD
CIVIL
FLA. PE # 70592
C.A.N. 3538

J.A.

PRODUCT REVISED
as complying with the Florida
Building Code
Acceptance No 12-0329-03
Expiration Date 12/18/2016

By *Manuel Jara*
Miami/Dade Product Control

MAR 23 2012

af c

AL-FAROOQ CORPORATION
ENGINEERS & PRODUCT DEVELOPMENT
1235 S.W. 87 AVE
MIAMI, FLORIDA 33174
TEL (305) 264-8100 FAX (305) 262-6978
STORE W11-09DD

Delta Doors Series 'DSF-450' Storefront Sys. (N.I.)
US Aluminum Inc.
Division Of C.R. Laurence Co., Inc.
7500 N.W. 69TH AVE.
MIAMI, FL 33166
TEL. (305) 888-0077 FAX. (305) 884-3111

no	date	description
A	07.28.11	REV. PER BNC COMMENTS
B	03.20.12	NO CHANGE THIS SHEET

revisions:

date: 02-25-11
scale: -
dr. by: HAMID
chk. by:

drawing no.
W11-09

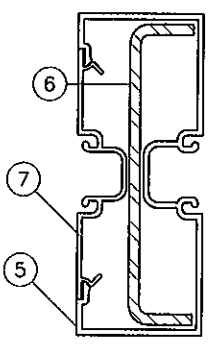
sheet 6 of 12

DOOR MULLION LOAD CAPACITY				
NOMINAL DIMS.				LOADS-PSF
DOOR WIDTH W2	SIDELITE WIDTH W1	DOOR HEIGHT A	FRAME SPAN L	EXT. (+) INT. (-)
60"	30"	80"	90"	93.6
	33"			93.6
	36"			93.6
	39"			93.6
	42"			93.6
	45"			93.6
72"	30"	80"	90"	93.3
	33"			93.6
	36"			93.6
	39"			91.3
	42"			88.8
	45"			86.5
60"	30"	80"	96"	84.3
	33"			93.6
	36"			93.6
	39"			93.6
	42"			92.0
	45"			88.9
72"	30"	80"	96"	85.9
	33"			93.6
	36"			92.4
	39"			89.7
	42"			86.7
	45"			84.0
60"	30"	80"	102"	78.8
	33"			90.9
	36"			87.5
	39"			84.3
	42"			81.3
	45"			78.5
72"	30"	80"	102"	75.9
	33"			81.4
	36"			78.7
	39"			76.1
	42"			73.6
	45"			71.4
60"	30"	80"	108"	69.2
	33"			78.1
	36"			75.2
	39"			72.6
	42"			70.1
	45"			67.8
72"	30"	80"	108"	65.7
	33"			65.7
	36"			63.6
	39"			69.7
	42"			67.4
	45"			65.3
60"	30"	80"	114"	61.4
	33"			59.7
	36"			57.3
	39"			55.6
	42"			53.4
	45"			51.9
72"	30"	80"	114"	50.5
	33"			60.3
	36"			58.5
	39"			56.7
	42"			55.0
	45"			53.4
60"	30"	80"	120"	44.4
	33"			59.4
	36"			57.4
	39"			55.5
	42"			53.7
	45"			52.1
72"	30"	80"	120"	49.0
	33"			52.8
	36"			51.2
	39"			49.7
	42"			48.2
	45"			46.9
60"	30"	80"	126"	44.4
	33"			52.8
	36"			51.2
	39"			49.7
	42"			48.2
	45"			46.9

DOOR MULLION LOAD CAPACITY				
NOMINAL DIMS.				LOADS-PSF
DOOR WIDTH W2	SIDELITE WIDTH W1	DOOR HEIGHT A	FRAME SPAN L	EXT. (+) INT. (-)
60"	30"	80"	90"	67.8
	33"			65.4
	36"			63.2
	39"			61.1
	42"			59.2
	45"			57.3
72"	30"	80"	90"	55.6
	33"			60.3
	36"			58.5
	39"			56.7
	42"			55.0
	45"			53.4
60"	30"	80"	96"	49.0
	33"			59.4
	36"			57.4
	39"			55.5
	42"			53.7
	45"			52.1
72"	30"	80"	96"	44.4
	33"			52.8
	36"			51.2
	39"			49.7
	42"			48.2
	45"			46.9
60"	30"	80"	102"	44.4
	33"			52.8
	36"			51.2
	39"			49.7
	42"			48.2
	45"			46.9
72"	30"	80"	102"	44.4
	33"			52.8
	36"			51.2
	39"			49.7
	42"			48.2
	45"			46.9
60"	30"	80"	108"	44.4
	33"			52.8
	36"			51.2
	39"			49.7
	42"			48.2
	45"			46.9
72"	30"	80"	108"	44.4
	33"			52.8
	36"			51.2
	39"			49.7
	42"			48.2
	45"			46.9

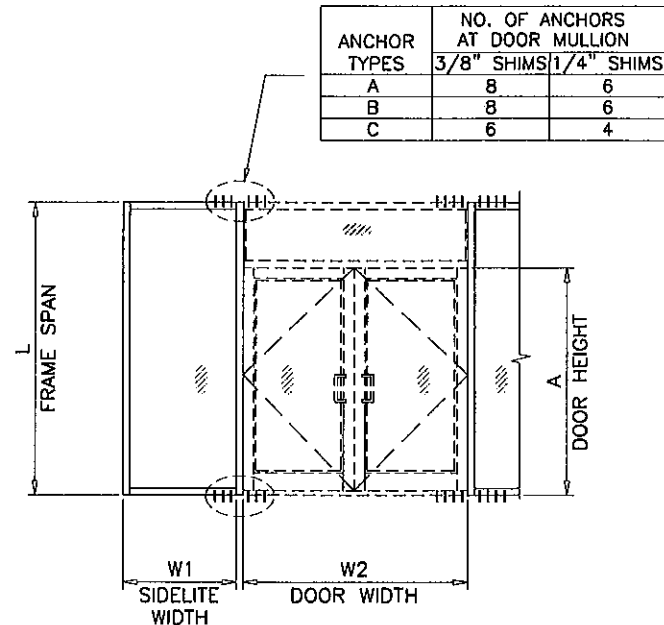
DOOR MULLION LOAD CAPACITY				
NOMINAL DIMS.				LOADS-PSF
DOOR WIDTH W2	SIDELITE WIDTH W1	DOOR HEIGHT A	FRAME SPAN L	EXT. (+) INT. (-)
60"	30"	84"	90"	93.6
	33"			93.6
	36"			93.6
	39"			93.6
	42"			93.6
	45"			93.6
72"	30"	84"	90"	92.1
	33"			93.6
	36"			93.6
	39"			93.6
	42"			93.6
	45"			93.6
60"	30"	84"	96"	83.2
	33"			93.6
	36"			93.6
	39"			93.6
	42"			93.1
	45"			90.3
72"	30"	84"	96"	87.8
	33"			93.6
	36"			91.0
	39"			88.4
	42"			86.0
	45"			83.6
60"	30"	84"	102"	79.4
	33"			93.6
	36"			90.4
	39"			87.0
	42"			83.9
	45"			80.9
72"	30"	84"	102"	75.6
	33"			84.6
	36"			81.6
	39"			78.8
	42"			76.2
	45"			73.7
60"	30"	84"	108"	69.3
	33"			80.7
	36"			77.6
	39"			74.8
	42"			72.2
	45"			69.7
72"	30"	84"	108"	67.4
	33"			65.3
	36"			63.3
	39"			61.4
	42"			59.7
	45"			57.3
60"	30"	84"	114"	59.6
	33"			69.7
	36"			67.5
	39"			65.3
	42"			63.3
	45"			61.4
72"	30"	84"	114"	59.6
	33"			69.7
	36"			67.5
	39"			65.3
	42"			63.3
	45"			61.4

DOOR MULLION LOAD CAPACITY				
NOMINAL DIMS.				LOADS-PSF
DOOR WIDTH W2	SIDELITE WIDTH W1	DOOR HEIGHT A	FRAME SPAN L	EXT. (+) INT. (-)
60"	30"	84"	114"	69.8
	33"			67.3
	36"			65.0
	39"			62.7
	42"			60.7
	45"			58.8
72"	30"	84"	114"	57.0
	33"			62.3
	36"			60.3
	39"			58.4
	42"			56.6
	45"			55.0
60"	30"	84"	120"	51.9
	33"			61.1
	36"			58.9
	39"			56.9
	42"			55.1
	45"			53.3
72"	30"	84"	120"	51.7
	33"			50.1
	36"			48.2
	39"			46.8
	42"			45.6
	45"			44.4



	Ix IN ⁴	Sx IN ³
ALUMINUM	2.7207	1.2092
STEEL	2.0697	.9856
TOTAL Ix ALUM + Ix STL X 2.9	8.7228	

DOOR MULLION
W/ REINFORCING



Engr: JAVAD AHMAD
CIVIL
FLA. PE # 70592
C.A.N. 3538

PRODUCT REVISED
as complying with the Florida
Building Code
Acceptance No 12-0329.03
Expiration Date AUG 12, 2016

By *Manuel*
Miami Dade Product Control

MAR 23 2012

AL-FAROOQ CORPORATION
ENGINEERS & PRODUCT DEVELOPMENT
12365 S.W. 87 AVE
MIAMI, FLORIDA 33174
TEL: (305) 264-8100 FAX: (305) 262-6978
STORE/W11-09DD

Delta Doors Series 'DSF-450' Storefront Sys. (N.I.)

US Aluminum Inc.
Division Of C.R. Laurence Co., Inc.
7500 N.W. 69TH AVE.
MIAMI, FL 33166
TEL: (305) 888-0077 FAX: (305) 884-3111

no	date	by	description
A	07.28.11		REV. PER BNC COMMENTS
B	03.20.12		NO CHANGE THIS SHEET

date: 02-25-11
scale: -
dr. by: HAMID
chk. by:

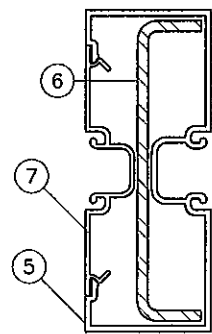
drawing no.
W11-09
sheet 7 of 12

DOOR MULLION

DOOR MULLION LOAD CAPACITY				
NOMINAL DIMS.				LOADS-PSF
DOOR WIDTH W2	SIDELITE WIDTH W1	DOOR HEIGHT A	FRAME SPAN L	EXT. (+) INT. (-)
60"	30"	90"	90"	93.6
	33"			93.6
	36"			93.6
	39"			93.6
	42"			91.3
	45"			88.7
72"	30"	90"	90"	86.3
	33"			91.7
	36"			89.1
	39"			86.6
	42"			84.2
	45"			82.0
60"	30"	90"	96"	77.9
	33"			79.9
	36"			82.0
	39"			84.2
	42"			86.6
	45"			89.1
72"	30"	90"	96"	93.6
	33"			93.6
	36"			91.4
	39"			87.9
	42"			84.6
	45"			81.6
60"	30"	90"	102"	78.8
	33"			88.0
	36"			85.4
	39"			83.0
	42"			80.2
	45"			77.5
72"	30"	90"	102"	75.0
	33"			72.6
	36"			70.2
	39"			68.5
	42"			66.3
	45"			64.2
60"	30"	90"	108"	62.3
	33"			73.1
	36"			70.4
	39"			67.7
	42"			65.4
	45"			63.1
72"	30"	90"	108"	61.0
	33"			59.1
	36"			57.4
	39"			55.6
	42"			54.0
	45"			52.2

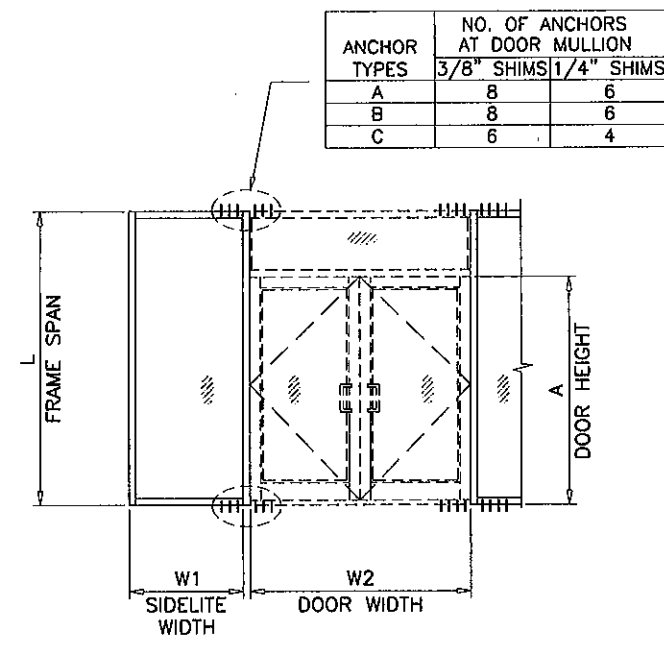
DOOR MULLION LOAD CAPACITY				
NOMINAL DIMS.				LOADS-PSF
DOOR WIDTH W2	SIDELITE WIDTH W1	DOOR HEIGHT A	FRAME SPAN L	EXT. (+) INT. (-)
60"	30"	90"	114"	63.7
	33"			61.4
	36"			59.3
	39"			57.2
	42"			55.3
	45"			53.5
72"	30"	90"	114"	51.9
	33"			56.9
	36"			55.1
	39"			53.3
	42"			51.7
	45"			48.7

DOOR MULLION LOAD CAPACITY				
NOMINAL DIMS.				LOADS-PSF
DOOR WIDTH W2	SIDELITE WIDTH W1	DOOR HEIGHT A	FRAME SPAN L	EXT. (+) INT. (-)
60"	30"	96"	90"	93.6
	33"			93.6
	36"			91.2
	39"			88.5
	42"			85.9
	45"			83.4
72"	30"	96"	90"	81.1
	33"			86.2
	36"			83.7
	39"			81.4
	42"			79.2
	45"			77.1
60"	30"	96"	96"	73.2
	33"			75.1
	36"			72.0
	39"			69.5
	42"			67.2
	45"			65.1
72"	30"	96"	96"	89.1
	33"			85.4
	36"			82.0
	39"			78.8
	42"			75.9
	45"			73.1
60"	30"	96"	102"	70.6
	33"			80.4
	36"			77.4
	39"			74.6
	42"			72.0
	45"			69.5
72"	30"	96"	102"	67.2
	33"			65.1
	36"			62.6
	39"			60.1
	42"			57.6
	45"			55.3
60"	30"	96"	108"	56.3
	33"			66.6
	36"			64.1
	39"			61.7
	42"			59.5
	45"			57.4
72"	30"	96"	108"	55.5
	33"			53.7
	36"			51.9
	39"			50.6
	42"			49.1
	45"			47.3



	I_x IN ⁴	S_x IN ³
ALUMINUM	2.7207	1.2092
STEEL	2.0697	.9856
TOTAL I_x ALUM + I_x STL X 2.9	8.7228	

DOOR MULLION
W/ REINFORCING



DOOR MULLION

Engr: JAVAD AHMAD
CIVIL
FLA. PE # 70592
C.A.N. 3538

PRODUCT REVISED
as complying with the Florida
Building Code
Acceptance No 12-0329.03
Expiration Date AUG 12, 2016
By *Muhammad Perez*
Miami Dade Product Control

af c
AL-FAROQ CORPORATION
ENGINEERS & PRODUCT DEVELOPMENT
1235 S.W. 87 AVE
MIAMI, FLORIDA 33174
TEL. (305) 262-6978 FAX. (305) 262-6978
STORE/W11-09DD

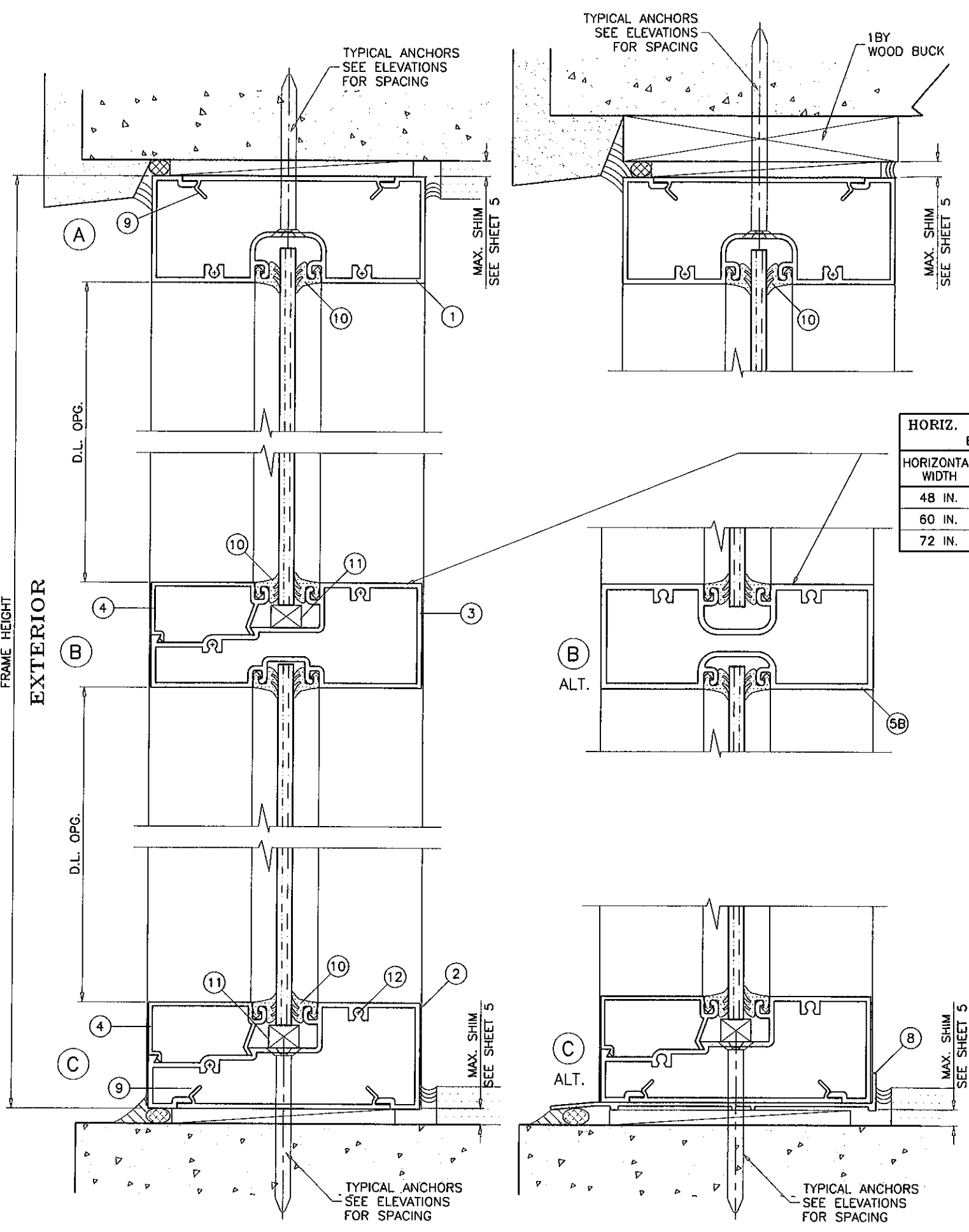
Delta Doors Series 'DSF-450' Storefront Sys. (N.I.)
US Aluminum Inc.
Division Of C.R. Laurence Co., Inc.
7500 N.W. 69TH AVE.
MIAMI, FL 33166
TEL. (305) 888-0077 FAX. (305) 884-3111

no	date	description
A	07.28.11	REV. PER BNC COMMENTS
B	03.20.12	NO CHANGE THIS SHEET

date: 02-25-11
scale: -
dr. by: HAMID
chk. by:

drawing no.
W11-09
sheet 8 of 11

FRAME HEIGHT
EXTERIOR



HORIZ. LOAD CAPACITY - PSF
EXT.(+) & INT.(-)

HORIZONTAL WIDTH	MAX. GLASS HT. ABOVE GLASS	Pd - PSF
48 IN.	72 IN.	120.0
60 IN.	72 IN.	116.0
72 IN.	60 IN.	68.0

WOOD BUCKS AND METAL STRUCTURES NOT BY DELTA DOORS MUST SUPPORT LOADS IMPOSED BY GLAZING SYSTEM AND TRANSFER THEM TO THE BUILDING STRUCTURE.

TYPICAL ANCHORS: SEE ELEV. FOR SPACING

TYPE 'A'- 1/4" DIA. ULTRACON BY 'ELCO' (Fu=177 KSI, Fy=155 KSI)

INTO 2BY WOOD BUCKS OR WOOD STRUCTURES
1-3/8" MIN. PENETRATION INTO WOOD

THRU 1BY BUCKS INTO CONC. OR MASONRY
1-1/4" MIN. EMBED INTO CONC. OR MASONRY

TYPE 'B'- 1/4" DIA. ULTRACON BY 'ELCO' (Fu=177 KSI, Fy=155 KSI)

DIRECTLY INTO CONC. OR MASONRY
1-1/4" MIN. EMBED INTO CONC. OR MASONRY

TYPE 'C'- #14 SMS OR SELF DRILLING SCREWS (GRADE 2 CRS)

INTO METAL STRUCTURES
STEEL : 1/8" THK. MIN. (Fy = 36 KSI MIN.)
ALUMINUM : 1/8" THK. MIN. (6063-T5 MIN.)
(STEEL IN CONTACT WITH ALUMINUM TO BE PLATED OR PAINTED)

TYPICAL EDGE DISTANCE

INTO CONCRETE AND MASONRY = 2-1/2" MIN.
INTO WOOD STRUCTURE = 1" MIN.
INTO METAL STRUCTURE = 3/4" MIN.

CONCRETE AT HEAD, SILL OR JAMBS f'c = 3000 PSI MIN.
C-90 HOLLOW/FILLED BLOCK AT JAMBS f'm = 2000 PSI MIN.

Engr: JAVAD AHMAD
CIVIL
FLA. PE # 70592
C.A.N. 3538

PRODUCT REVISED
as complying with the Florida
Building Code
Acceptance No 12-0327-03
Expiration Date AUG. 18, 2016

By *Marcelo Perez*
Miami Dade Product Control
MAR 23 2012

af c
AL-FAROOQ CORPORATION
ENGINEERS & PRODUCT DEVELOPMENT
1235 S.W. 87 AVE
MIAMI, FLORIDA 33174
TEL (305) 264-8100 FAX (305) 262-6978
STORE W11-09DD

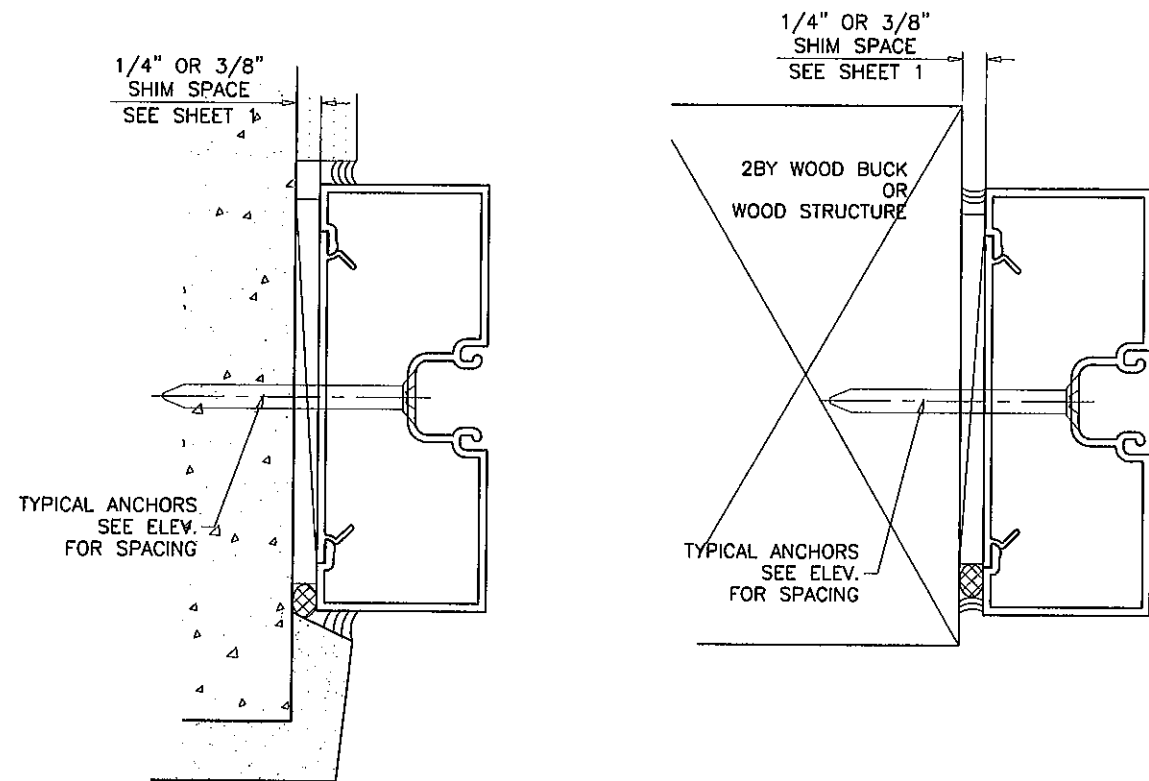
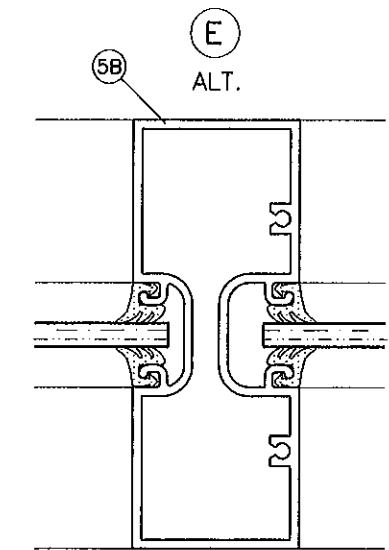
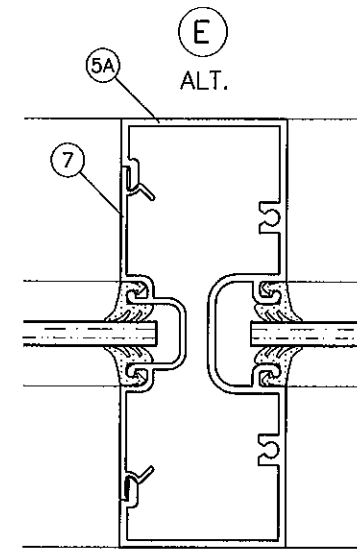
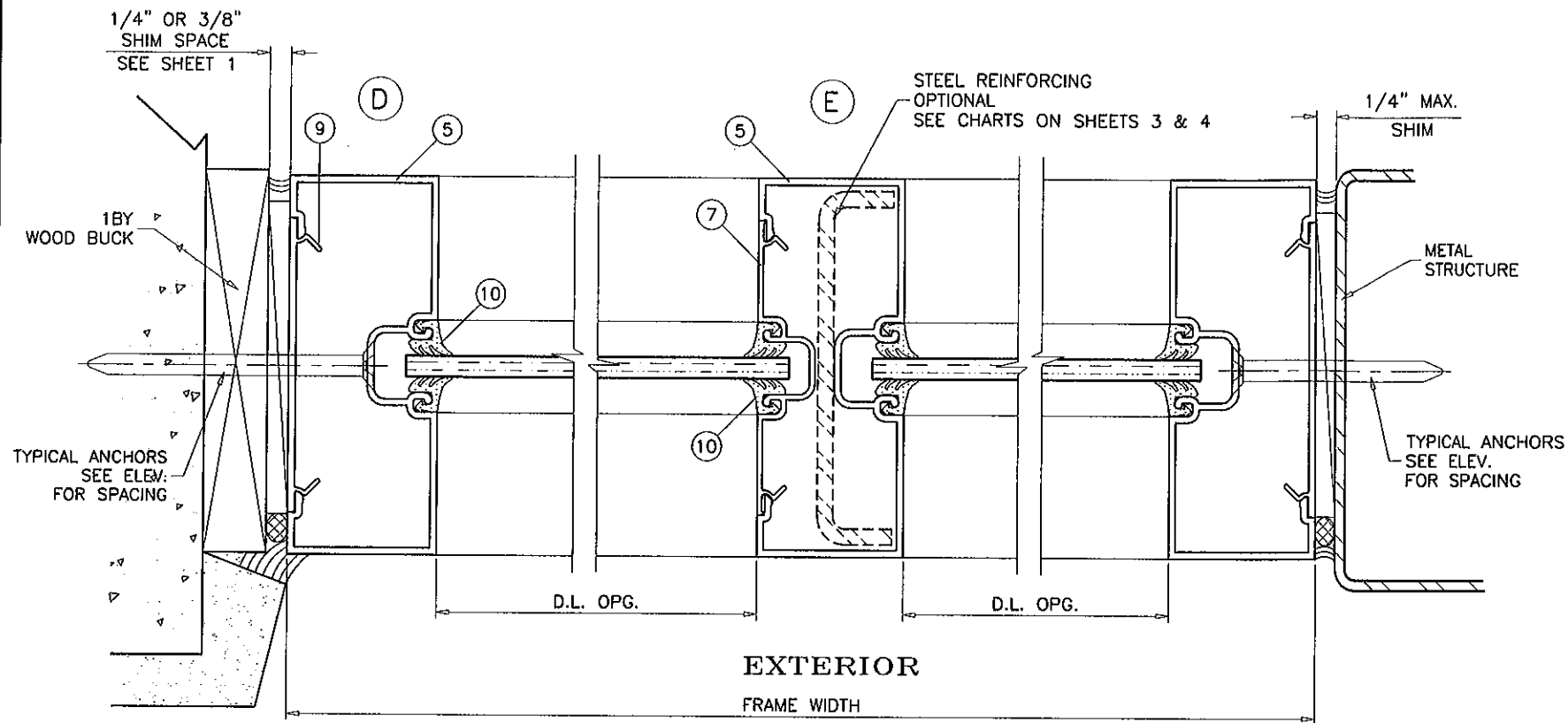
Delta Doors Series 'DSF-450' Storefront Sys. (N.I.)
US Aluminum Inc.
Division Of C.R. Laurence Co., Inc.
7500 N.W. 69TH AVE.
MIAMI, FL 33166
TEL (305) 888-0077 FAX (305) 884-3111

revisions:

no	date	by	description
A	07.28.11	REV. PER BNC COMMENTS	
B	03.20.12	NO CHANGE THIS SHEET	

date: 02-25-11
scale: 1/2" = 1"
dr. by: HAMID
chk. by:

drawing no.
W11-09
sheet 9 of 12



Engr: JAVAD AHMAD
CIVIL
FLA. PE # 70592
C.A.N. 3538

PRODUCT REVISED
as complying with the Florida
Building Code
Acceptance No 12-0329.03
Expiration Date 06.18.2016

By *Mansour*
Miami Dade Product Control

MAR 23 2012

afc

AL-FAROOQ CORPORATION
ENGINEERS & PRODUCT DEVELOPMENT
1235 S.W. 87 AVE
MIAMI, FLORIDA 33174
TEL. (305) 264-8100 FAX. (305) 262-6978

STORE W11-09DD

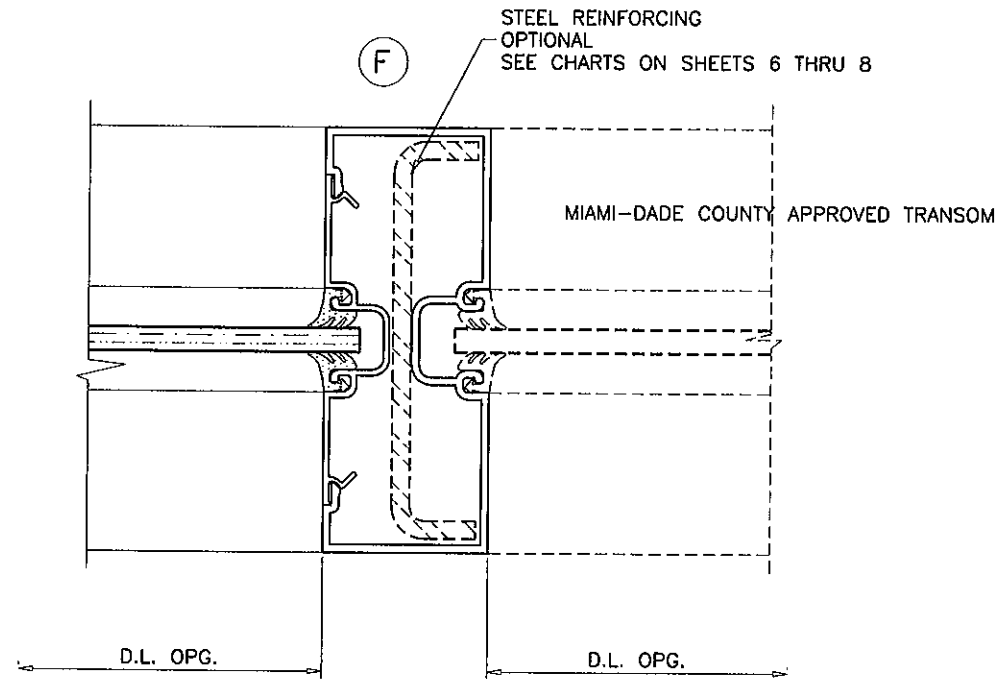
Delta Doors Series 'DSF-450' Storefront Sys. (N.I.)
US Aluminum Inc.
Division Of C.R. Laurence Co., Inc.
7500 N.W. 69TH AVE.
MIAMI, FL 33166
TEL. (305) 888-0077 FAX. (305) 884-3111

no.	date	by	description
A	07.28.11		REV. PER BNC COMMENTS
B	03.20.12		NO CHANGE THIS SHEET

date: 02-25-11
scale: 1/2" = 1"
dr. by: HAMID
chk. by:

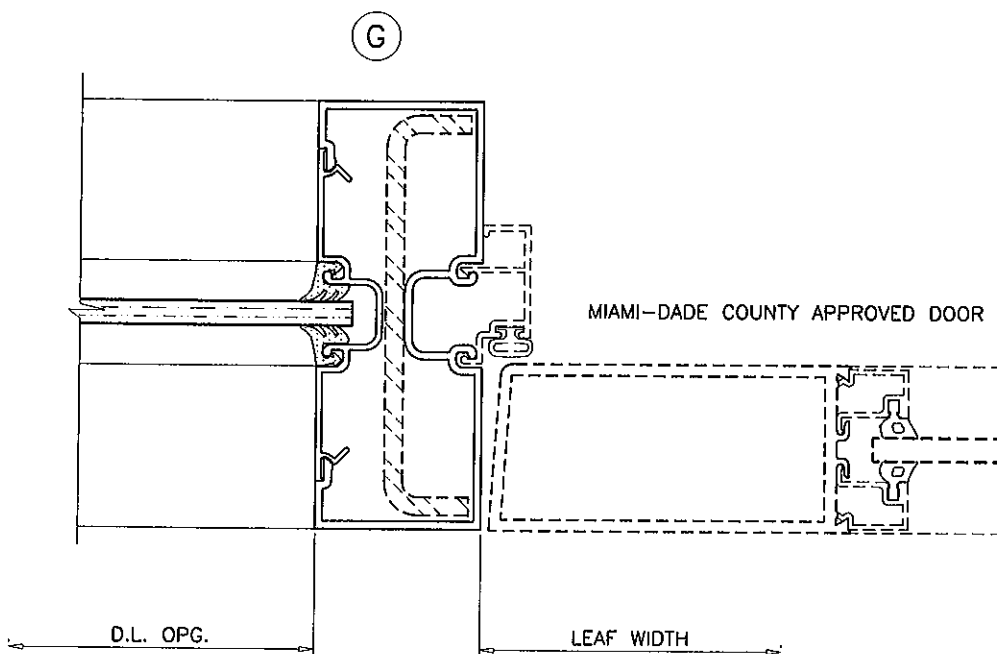
drawing no.
W11-09
sheet 10 of 12

ITEM NO.	PART NUMBER	QUANTITY	DESCRIPTION	MATERIAL	MANF./SUPPLIER/REMARKS
1	BCE-5451	AS REQD.	FRAME HEAD	6063-T6	-
2	BCE-5457	AS REQD.	FRAME HORIZONTAL/SILL	6063-T5	-
3	BCE-5458	AS REQD.	FRAME HORIZONTAL	6063-T6	-
4	BCE-459	AS REQD.	GLAZING STOP	6063-T5	-
5	BC-5450	AS REQD.	FRAME JAMB/MULLION	6063-T6	-
5A	BCE-5451	AS REQD.	ALT. FRAME MULLION	6063-T6	-
5B	BCE-452	AS REQD.	ALT. FRAME MULLION/HORIZONTAL	6063-T6	-
6	-	AS REQD.	REINFORCING CHANNEL	STEEL	ASTM A36, Fy=36 KSI MIN.
7	BCE-5430	AS REQD.	POCKET FILLER	6063-T6	-
8	-	OPTIONAL	SILL FLASHING	6063-T5	-
9	BCE-475	AS REQD.	SNAP IN COVER, 2-1/2" LONG	6063-T6	-
10	2546	AS REQD.	GLAZING GASKET	SOFT PVC	MELTPOINT PLASTICS INC. (TEKNOR APEX)
11	-	AS REQD.	SETTING BLOCK AT 1/4" POINTS, DUROMETER 90±5	EPDM	7/16" X 3/4" X 1-7/8" LONG
12	#10 X 1-1/4"	2/ CORNER	ASSEMBLY SCREWS PHSMS	STEEL	-



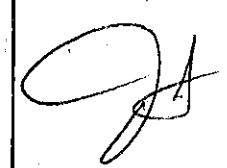
SEALANTS:

ALL FRAME CORNERS AND MULLION SEAMS SEALED WITH SILICONE.



SEE SEPARATE NOA FOR DESIGN LOAD CAPACITY OF DOORS AND DOOR ANCHORS. LOWER VALUES FROM DOORS NOA OR STOREFRONT SYSTEM CAPACITY CHARTS WILL APPLY TO ENTIRE SYSTEM.

Engr. JAVAD AHMAD
CIVIL
FLA. PE # 70592
C.A.N. 3538



PRODUCT REVISED
as complying with the Florida Building Code
Acceptance No 12-0329.03
Expiration Date APR 18, 2016
By Muhammad J. J.
Miami Dade Product Control
MAR 23 2012

af c
AL-FAROOQ CORPORATION
ENGINEERS & PRODUCT DEVELOPMENT
1235 S.W. 87 AVE
MIAMI, FLORIDA 33174
TEL. (305) 262-8100 FAX. (305) 262-6978
STORE W11-09DD

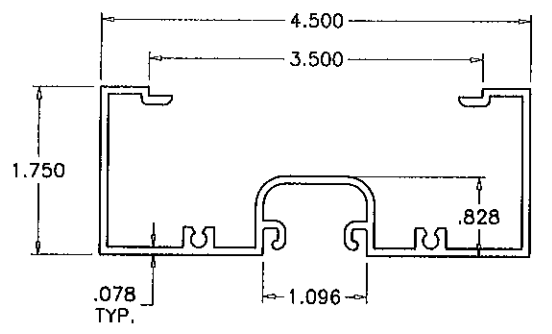
US Aluminum Inc.
Division Of C.R. Laurence Co., Inc.
7500 N.W. 69TH AVE.
MIAMI, FL 33166
TEL. (305) 888-0077 FAX. (305) 884-3111

revisions:

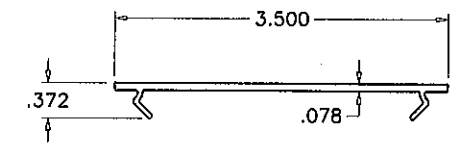
no	date	description
A	07.28.11	REV. PER BNC COMMENTS
B	03.20.12	UPDATED TO 2010 FBC

date: 02-25-11
scale: 1/2" = 1"
dr. by: HAMID
chk. by:

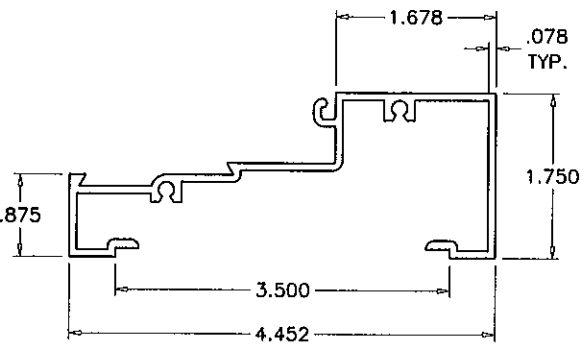
drawing no.
W11-09
sheet 11 of 12



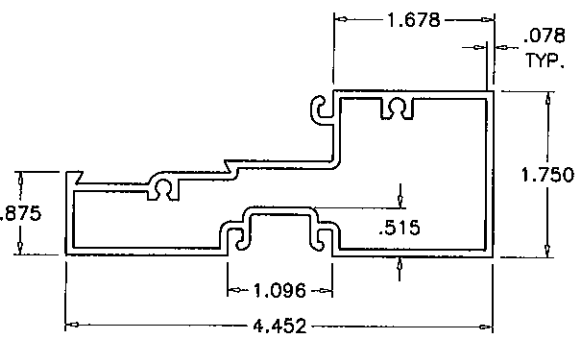
1 (5A) FRAME HEAD/MULLION



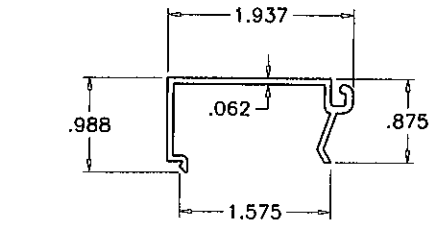
9 SNAP IN COVER



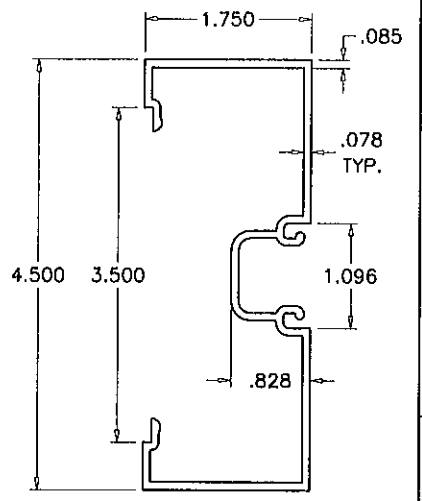
2 FRAME SILL



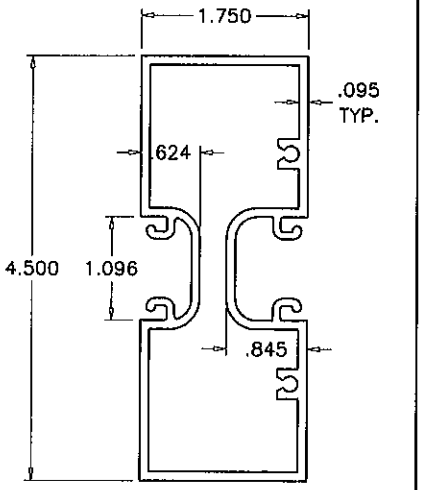
3 FRAME HORIZONTAL



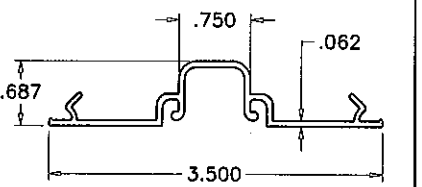
4 GLAZING STOP



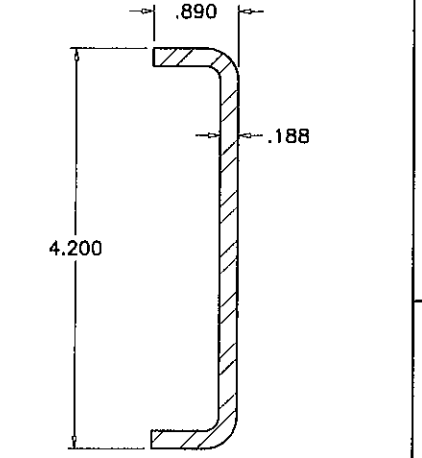
5 FRAME JAMB/MULLION



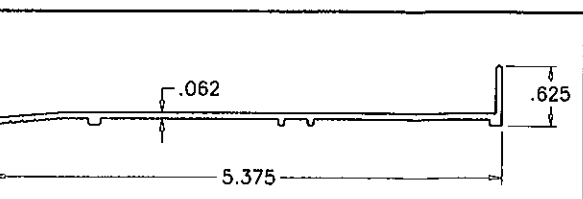
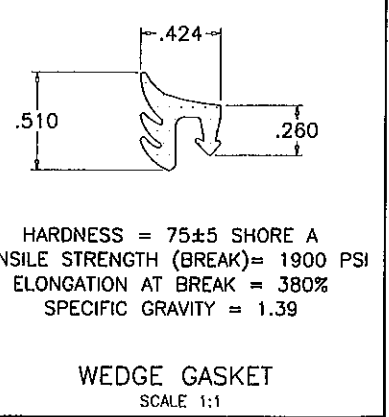
5B MULLION/HORIZONTAL



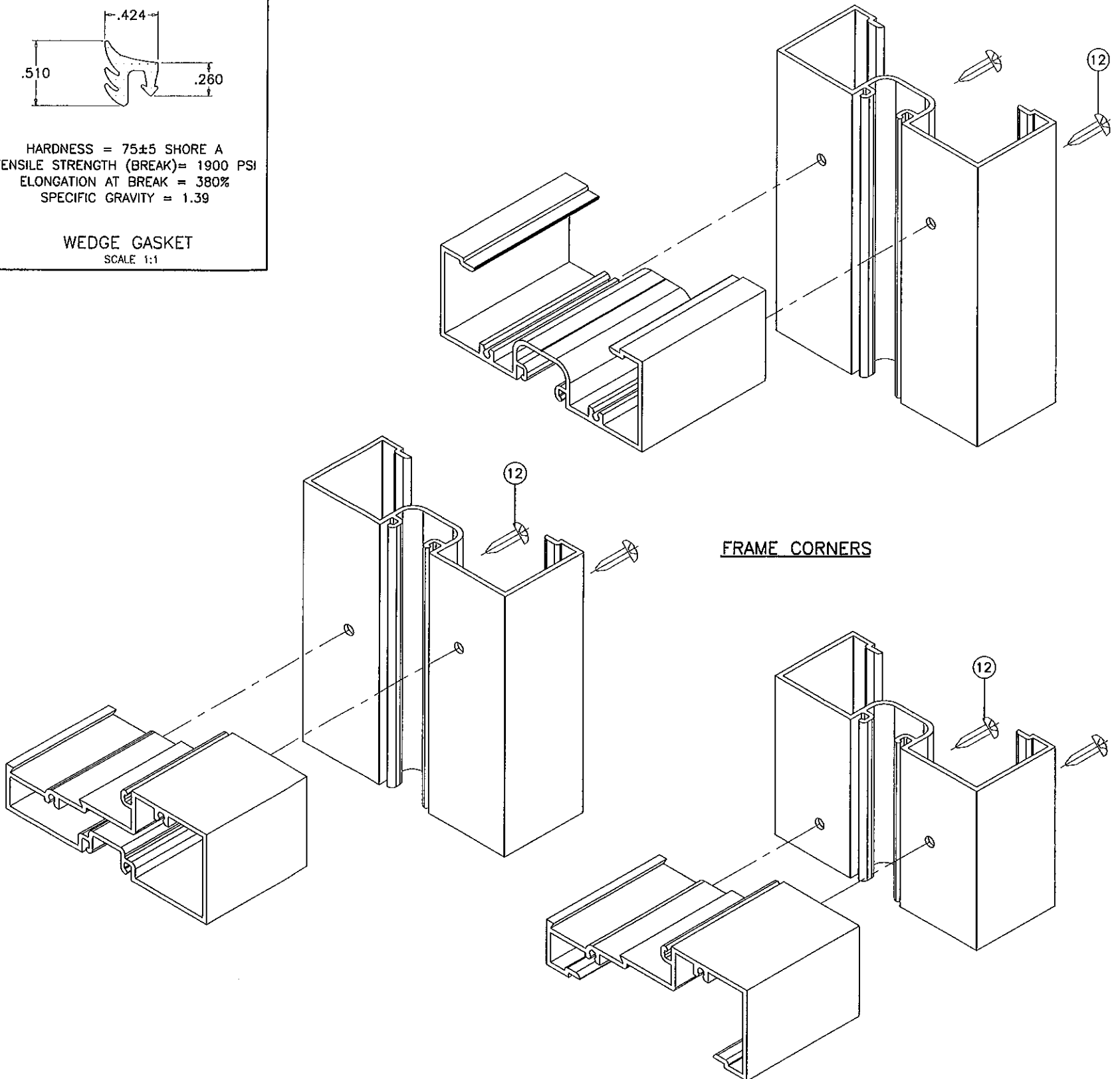
7 POCKET FILLER



6 STEEL REINFORCING
36 KSI MIN.



8 SILL FLASHING (OPTIONAL)



FRAME CORNERS

Engr: JAVAD AHMAD
CIVIL
FLA: PE # 70592
C.A.N. 3538

By *Mamuel Jerez*
Miami Dade Product Control

PRODUCT REVISED
as complying with the Florida
Building Code
Acceptance No 12-0329.D3
Expiration Date AUG 18, 2016

MAR 23 2012

af c
AL-FAROOQ CORPORATION
ENGINEERS & PRODUCT DEVELOPMENT
12335 S.W. 87 AVE
MIAMI, FLORIDA 33174
TEL. (305) 264-8100 FAX (305) 262-6978
STORE/W11-09DD

Delta Doors Series 'DSF-450' Storefront Sys. (N.I.)
US Aluminum Inc.
Division Of C.R. Laurence Co., Inc.
7500 N.W. 69TH AVE.
MIAMI, FL 33166
TEL. (305) 888-0077 FAX. (305) 884-3111

no	date	by	description
A	07.28.11	REV. PER BNC COMMENTS	
B	03.20.12	UPDATED TO 2010 FBC	

date: 02-25-11
scale: 1/2" = 1"
dr. by: HAMID
chk. by:

drawing no.
W11-09
sheet 12 of 12