



DEPARTMENT OF PERMITTING, ENVIRONMENT, AND REGULATORY
AFFAIRS (PERA)
BOARD AND CODE ADMINISTRATION DIVISION

MIAMI-DADE COUNTY
PRODUCT CONTROL SECTION
11805 SW 26 Street, Room 208
Miami, Florida 33175-2474
T (786) 315-2590 F (786) 315-2599

NOTICE OF ACCEPTANCE (NOA)

www.miamidade.gov/pera/

US Aluminum – Division of CR Laurence Company, Inc.
7500 N.W. 69 Avenue
Miami, FL 33166

SCOPE:

This NOA is being issued under the applicable rules and regulations governing the use of construction materials. The documentation submitted has been reviewed and accepted by Miami-Dade County PERA - Product Control Section to be used in Miami Dade County and other areas where allowed by the Authority Having Jurisdiction (AHJ).

This NOA shall not be valid after the expiration date stated below. The Miami-Dade County Product Control Section (In Miami Dade County) and/or the AHJ (in areas other than Miami Dade County) reserve the right to have this product or material tested for quality assurance purposes. If this product or material fails to perform in the accepted manner, the manufacturer will incur the expense of such testing and the AHJ may immediately revoke, modify, or suspend the use of such product or material within their jurisdiction. PERA reserves the right to revoke this acceptance, if it is determined by Miami-Dade County Product Control Section that this product or material fails to meet the requirements of the applicable building code. This product is approved as described herein, and has been designed to comply with the Florida Building Code, including the High Velocity Hurricane Zone.

DESCRIPTION: Series “BAL-350” Outswing Aluminum Storefront Door - L.M.I.

APPROVAL DOCUMENT: Drawing No. W04-72, titled “Series ‘BAL-350’ Alum. Out-Swing Door (L.M.I.)”, sheets 1 through 5 of 5, dated 08/13/04, with revision “C” dated 03/26/12, prepared by Al-Farooq Corporation, signed and sealed by Javad Ahmad, P.E., bearing the Miami-Dade County Product Control Revision stamp with the Notice of Acceptance number and expiration date by the Miami-Dade County Product Control Section.

MISSILE IMPACT RATING: Large and Small Missile Impact Resistant

LIMITATION: This door with frame can be installed in US Aluminum – Division of CR Laurence Company, Inc. storefront or Miami-Dade approved storefront system having current NOA, to be reviewed by AHJ. Lower design pressure shall control.

LABELING: Each unit shall bear a permanent label with the manufacturer's name or logo, city, state, model/series, and following statement: "Miami-Dade County Product Control Approved", unless otherwise noted herein.

RENEWAL of this NOA shall be considered after a renewal application has been filed and there has been no change in the applicable building code negatively affecting the performance of this product.

TERMINATION of this NOA will occur after the expiration date or if there has been a revision or change in the materials, use, and/or manufacture of the product or process. Misuse of this NOA as an endorsement of any product, for sales, advertising or any other purposes shall automatically terminate this NOA. Failure to comply with any section of this NOA shall be cause for termination and removal of NOA.

ADVERTISEMENT: The NOA number preceded by the words Miami-Dade County, Florida, and followed by the expiration date may be displayed in advertising literature. If any portion of the NOA is displayed, then it shall be done in its entirety.

INSPECTION: A copy of this entire NOA shall be provided to the user by the manufacturer or its distributors and shall be available for inspection at the job site at the request of the Building Official.

This NOA revises NOA No. 10-0308.03 and consists of this page 1 and evidence pages E-1 and E-2, as well as approval document mentioned above.

The submitted documentation was reviewed by **Manuel Perez, P. E.**



MP
7/6/29/12

NOA No. 12-0405.08
Expiration Date: March 24, 2015
Approval Date: July 05, 2012

US Aluminum – Division of CR Laurence Company, Inc.

NOTICE OF ACCEPTANCE: EVIDENCE SUBMITTED

A. DRAWINGS

1. Manufacturer's die drawings and sections.
2. Drawing No. **W04-72**, titled "Series 'BAL-350' Alum. Out-Swing Door (L.M.I.)", sheets 1 through 5 of 5, dated 08/13/04, with revision "C" dated 03/23/12, prepared by Al-Farooq Corporation, signed and sealed by Javad Ahmad, P.E.

B. TESTS

1. Test reports on:
 - 1) Air Infiltration Test, per FBC, TAS 202-94
 - 2) Uniform Static Air Pressure Test, Loading per FBC TAS 202-94
 - 3) Water Resistance Test, per FBC, TAS 202-94
 - 4) Large Missile Impact Test per FBC, TAS 201-94
 - 5) Cyclic Wind Pressure Loading per FBC, TAS 203-94
 - 6) Forced Entry Test, per FBC 2411 3.2.1, TAS 202-94

along with marked-up drawings and installation diagram of aluminum outswing and inswing entrance doors, prepared by Fenestration Testing Laboratory, Inc., Test Reports No. **FTL-4263**, dated 07/20/04, **FTL-4320** dated 09/15/04 and **FTL-5047** dated 11/09/06, all signed and sealed by Edmundo J. Largaespada, P.E.
(Submitted under previous NOA's No. 05-0110.01 and 08-0618.04)

C. CALCULATIONS

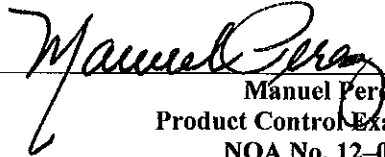
1. Anchor verification calculations and structural analysis, complying with **FBC-2010**, prepared by Al-Farooq Corporation, dated 04/05/12, signed and sealed by Javad Ahmad, P.E.
2. **Glazing complies with ASTM E1300-04.**

D. QUALITY ASSURANCE

1. Miami-Dade Department of Permitting, Environment, and Regulatory Affairs (PERA).

E. MATERIAL CERTIFICATIONS

1. Notice of Acceptance No. **08-0520.08** issued to **Solutia, Inc.** for their "Vanceva Composites Glass Interlayer" dated 07/17/08, expiring on 12/11/13.


Manuel Perez, P.E.
Product Control Examiner
NOA No. 12-0405.08
Expiration Date: March 24, 2015
Approval Date: July 05, 2012

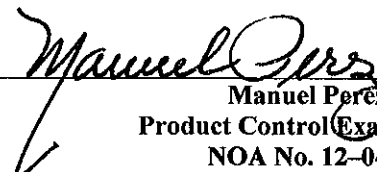
NOTICE OF ACCEPTANCE:EVIDENCE SUBMITTED

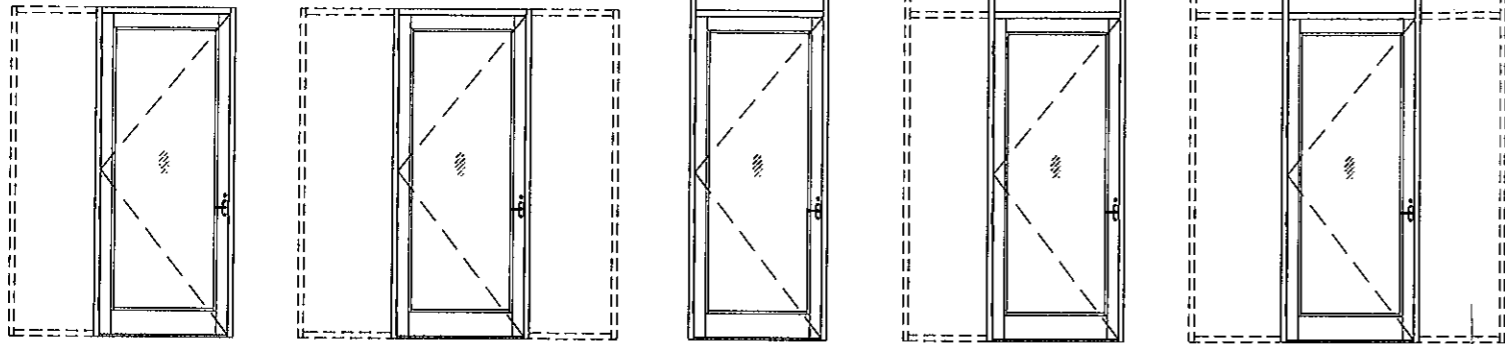
F. STATEMENTS

1. Statement letter of conformance, complying with **FBC-2010**, and of no financial interest, issued by Al-Farooq Corporation, dated 03/21/12, signed and sealed by Javad Ahmad, P.E.
2. Asset purchase agreement between CRL Impact Doors, Inc. and Vidco Industries, Inc., dated 12/17/10, signed by Mr. Lloyd W. Talbert and Mr. Jesus Martinez.
3. Statement letter dated 03/19/07 issued by Delta Doors, clarifying legal name as "Vidco Industries dba Delta Doors Mfg., Co.", signed by Melisa Martinez.
(Submitted under previous NOA No. 08-0618.04)
4. Proposal No. **06-0182** issued by Product Control, dated 06/06/06, signed by Ishaq Chanda, P.E.
(Submitted under previous NOA No. 08-0618.04)
5. Laboratory compliance letter for Test Reports No.'s **FTL-4263**, dated 07/20/04, **FTL-4320**, dated 09/15/04 and **FTL-5047**, dated 11/09/06, issued by Fenestration Testing Laboratory, Inc., all signed and sealed by Edmundo J. Largaespada, P.E.
(Submitted under previous NOA's No.'s 05-0110.01 and 08-0618.04)
6. Proposal No. **02-0472** issued by Product Control, dated 07/05/02, signed by Jaime D. Gascon, P.E.
(Submitted under previous NOA No. 05-0110.01)

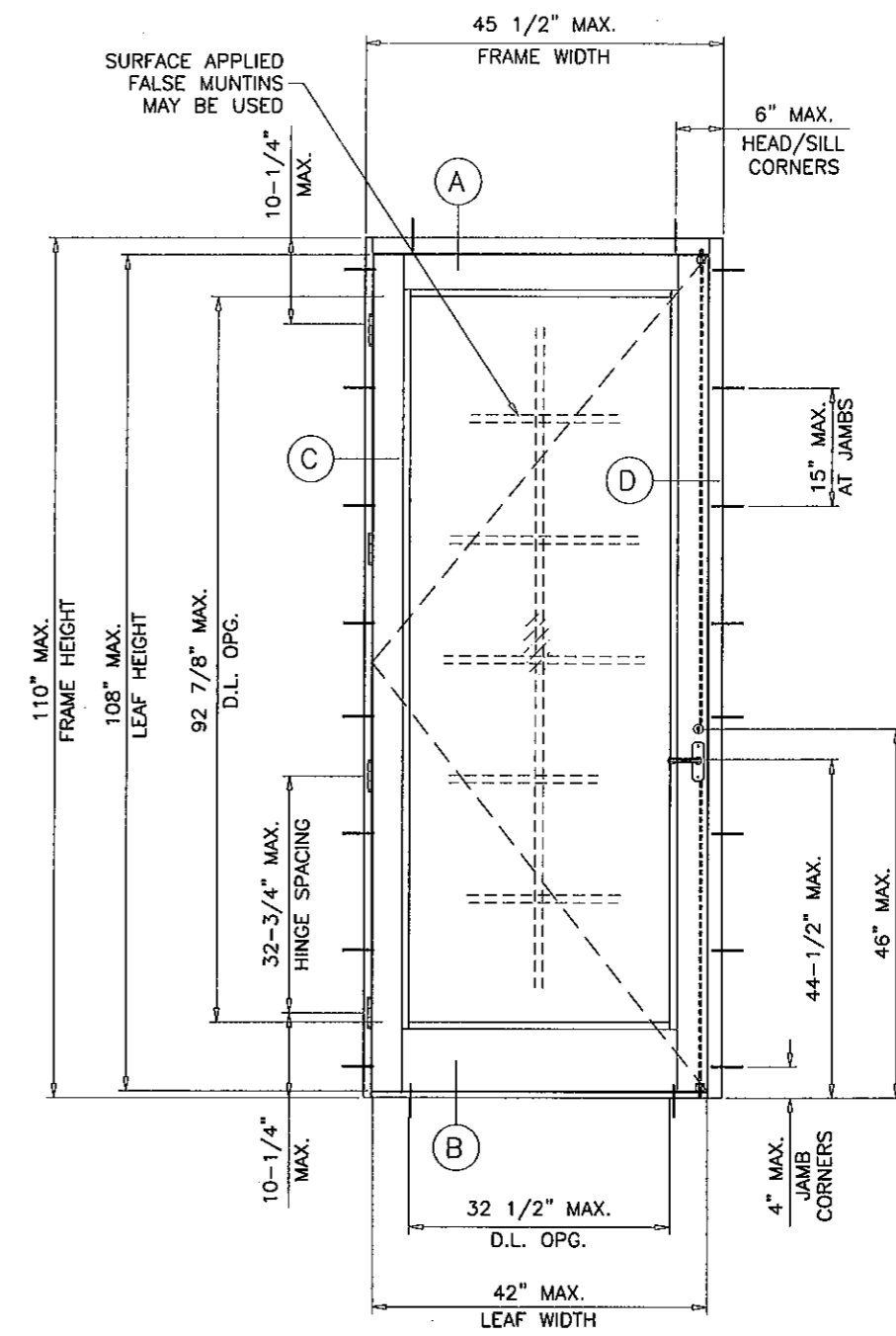
G. OTHERS

1. Notice of Acceptance No. **10-0308.03**, issued to Delta Doors Manufacturing, Co. for their Series "**BAL-350 Single Outswing Aluminum Entrance Door-Impact**", approved on 04/14/10 and expiring on 03/24/15.


Manuel Perez, P.E.
Product Control Examiner
NOA No. 12-0405.08
Expiration Date: March 24, 2015
Approval Date: July 05, 2012



BALCONY DOOR CAN BE USED WITH TRANSOM AND SIDELITES.
FOR LIMITATIONS SEE SEPARATE MIAMI-DADE COUNTY NOA.



TYPICAL ELEVATION

MAXIMUM DESIGN LOAD RATING = + 100.0 PSF
(FOR SIZES SHOWN ABOVE OR SMALLER) - 100.0 PSF
AS PERMITTED BY FBC

LAMINATED GLASS
LARGE MISSILE IMPACT

THESE DOORS ARE RATED FOR LARGE & SMALL MISSILE IMPACT.
SHUTTERS ARE NOT REQUIRED.

SERIES BAL-350
ALUMINUM OUT-SWING ENTRANCE DOOR

THIS PRODUCT HAS BEEN DESIGNED AND TESTED TO COMPLY WITH THE REQUIREMENTS OF THE FLORIDA BUILDING CODE INCLUDING HIGH VELOCITY HURRICANE ZONE (HVHZ).

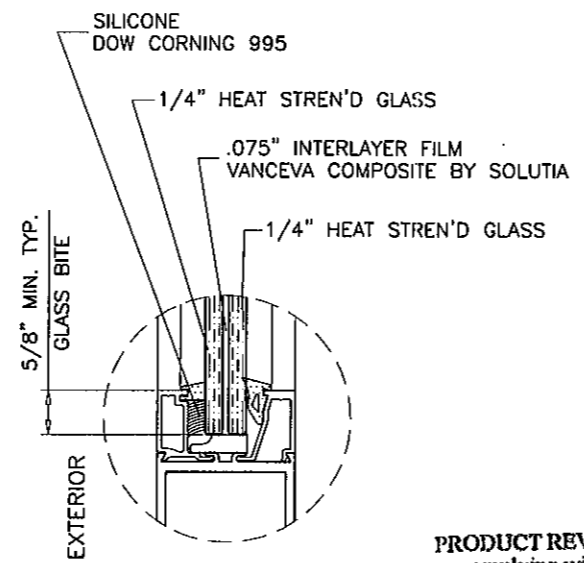
WOOD BUCKS BY OTHERS, MUST BE ANCHORED PROPERLY TO TRANSFER LOADS TO THE STRUCTURE.

ANCHORS SHALL BE AS LISTED, SPACED AS SHOWN ON DETAILS, ANCHORS EMBEDMENT TO BASE MATERIAL SHALL BE BEYOND WALL DRESSING OR STUCCO.

ANCHORING OR LOADING CONDITIONS NOT SHOWN IN THESE DETAILS ARE NOT PART OF THIS APPROVAL.

A LOAD DURATION INCREASE IS USED IN DESIGN OF ANCHORS INTO WOOD ONLY.

MATERIALS INCLUDING BUT NOT LIMITED TO STEEL/METAL SCREWS, THAT COME INTO CONTACT WITH OTHER DISSIMILAR MATERIALS SHALL MEET THE REQUIREMENTS OF THE FLORIDA BLDG. CODE SECTION 2003.8.4.



GLAZING DETAIL

PRODUCT REVISED
as complying with the Florida
Building Code
Acceptance No. **12-0405.08**
Expiration Date **03/24/2015**
By *[Signature]*
Miami Dade Product Control

NOTE:
GLASS CAPACITIES ON THIS SHEET ARE
BASED ON ASTM E1300-04 (3 SEC. GUSTS)
AND FLORIDA BUILDING COMMISSION
DECLARATORY STATEMENT DCA05-DEC-219

Engr: JAVAD AHMAD
CIVIL
FLA. PE # 70592
C.A.N. 3518
[Signature]
05 2012

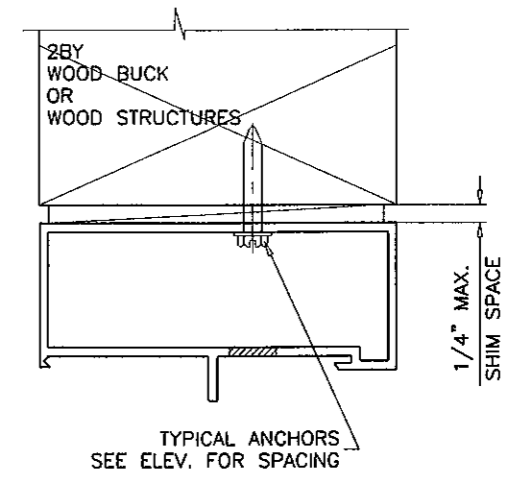
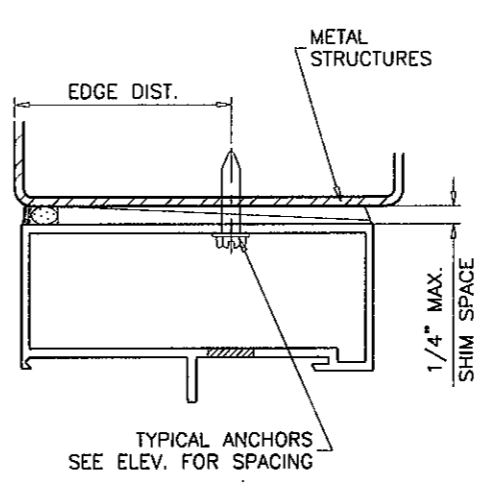
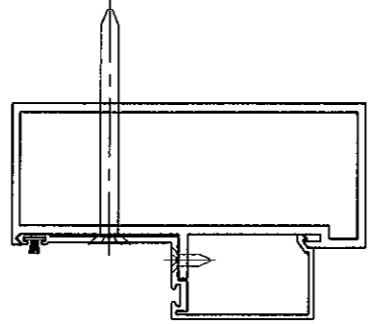
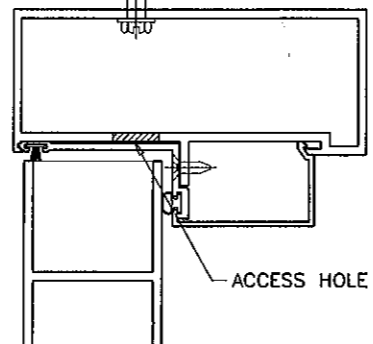
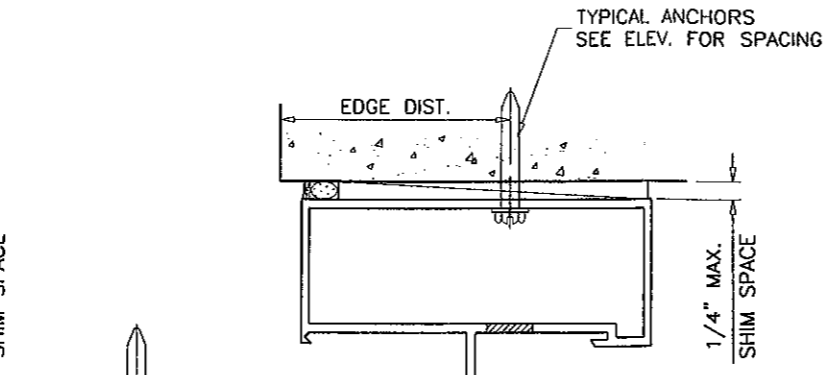
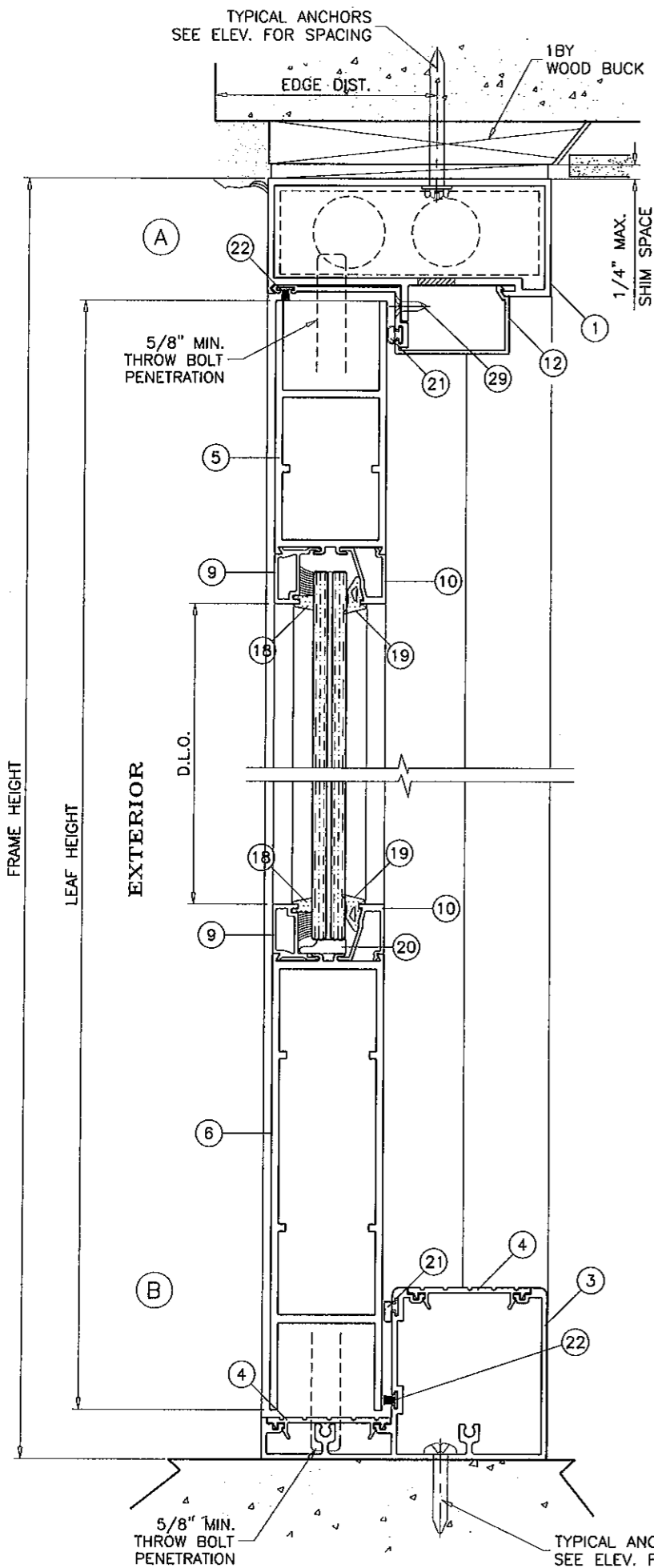
afc
AL-FAROOQ CORPORATION
ENGINEERS & PRODUCT DEVELOPMENT
1235 S.W. 87 AVE
MIAMI, FLORIDA 33174
TEL. (305) 264-8100 FAX. (305) 262-6978
COMP-ANL\W04-72DD

Series 'BAL-350' Aluminum Out-Swing Door (L.M.I.)
US Aluminum
Division Of C.R. Laurence Co., Inc.
7500 N.W. 69TH AVE.
MIAMI, FL 33166
TEL. (305) 888-0077 FAX. (305) 884-3111

no	date	by	description
A	06.05.08		UPDATED FOR 2007 FBC
B	12.14.09		ENGR. NAME CHANGED
C	03.26.12		UPDATED TO 2010 FBC

date: 08-13-04
scale: 1/2"=1'-0"
dr. by: HAMID
chk. by:

drawing no.
W04-72
sheet 1 of 5



TYPICAL ANCHORS: SEE ELEV. FOR SPACING

TYPE 'A' - 1/4" DIA. ULTRACON BY 'ELCO' (Fu=177 KSI, Fy=155 KSI)
 INTO 2BY WOOD BUCKS OR WOOD STRUCTURES
 1-1/2" MIN. PENETRATION INTO WOOD

THRU 1BY BUCKS INTO CONC. OR MASONRY
 1-1/4" MIN. EMBED INTO CONC. OR MASONRY

TYPE 'B' - 1/4" DIA. ULTRACON BY 'ELCO'
 DIRECTLY INTO CONC. OR MASONRY
 1-3/8" MIN. EMBED INTO CONC. OR MASONRY

TYPE 'C' - #14 SMS OR SELF DRILLING SCREWS (GRADE 2 CRS)
 INTO METAL STRUCTURES
 STEEL : 12 GA. MIN. (Fy = 36 KSI MIN.)
 ALUMINUM : 1/8" THK. MIN. (6063-T5 MIN.)
 (STEEL IN CONTACT WITH ALUMINUM TO BE PLATED OR PAINTED)

TYPICAL EDGE DISTANCE

INTO CONCRETE AND MASONRY = 2-1/2" MIN.
 INTO WOOD STRUCTURE = 1" MIN.
 INTO METAL STRUCTURE = 3/4" MIN.

CONCRETE AT HEAD, SILL OR JAMBS f'c = 3000 PSI MIN.
 C-90 HOLLOW/FILLED BLOCK AT JAMBS f'm = 2000 PSI MIN.

SEALANTS:

FRAME CORNERS, ASSEMBLY SCREWS AND HEADS OF ANCHOR SCREWS AT SILL TO BE SEALED WITH SEALER.
 LEAF JOINTS SEALED WITH SILICONE.

LOCK:

THREE POINT LOCK SYSTEM WITH SURFACE MOUNT HANDLE AT 44-1/2" FROM BOTTOM.

 DEAD BOLT LOCK KEY OPERATED ON EXTERIOR AND THUMBTURN ON INTERIOR, AT 46" FROM BOTTOM.

PRODUCT REVISED
 as complying with the Florida
 Building Code
 Acceptance No. **12-0405.08**
 Expiration Date **03/24/2015**
 By *Mamun*
 Miami Trade Product Control

Engr: JAVAD AHMAD
 CIVIL
 FLA. PE # 70592
 C.A.N. 3538
 APR 05 2012

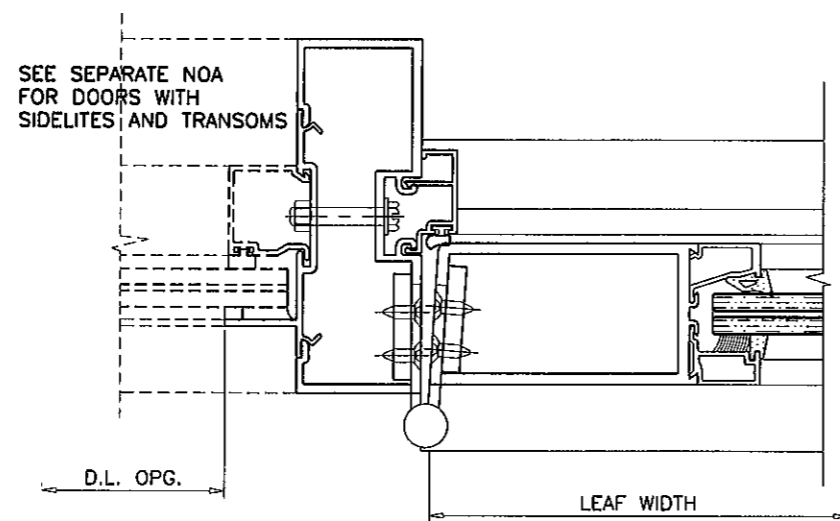
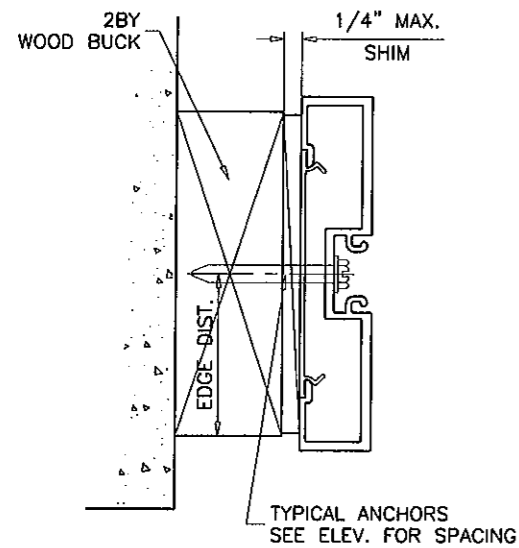
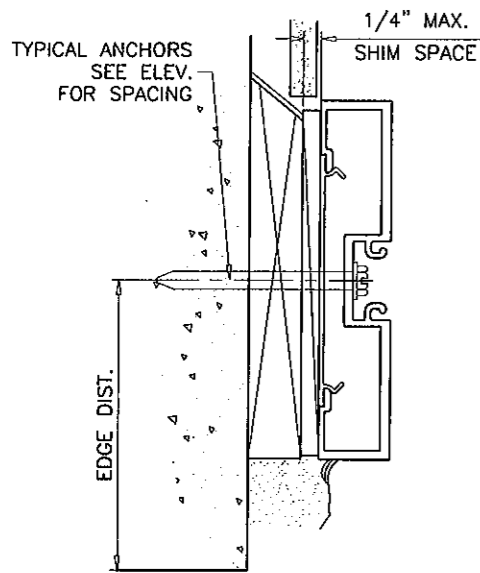
WOOD BUCKS AND METAL STRUCTURES NOT BY US ALUMINUM
 MUST SUPPORT LOADS IMPOSED BY GLAZING SYSTEM AND
 TRANSFER THEM TO THE BUILDING STRUCTURE.

af c
AL-FAROOQ CORPORATION
 ENGINEERS & PRODUCT DEVELOPMENT
 1235 S.W. 87 AVE
 MIAMI, FLORIDA 33174
 TEL. (305) 264-8100 FAX. (305) 262-6978
 COMP-ANI\W04-72DD

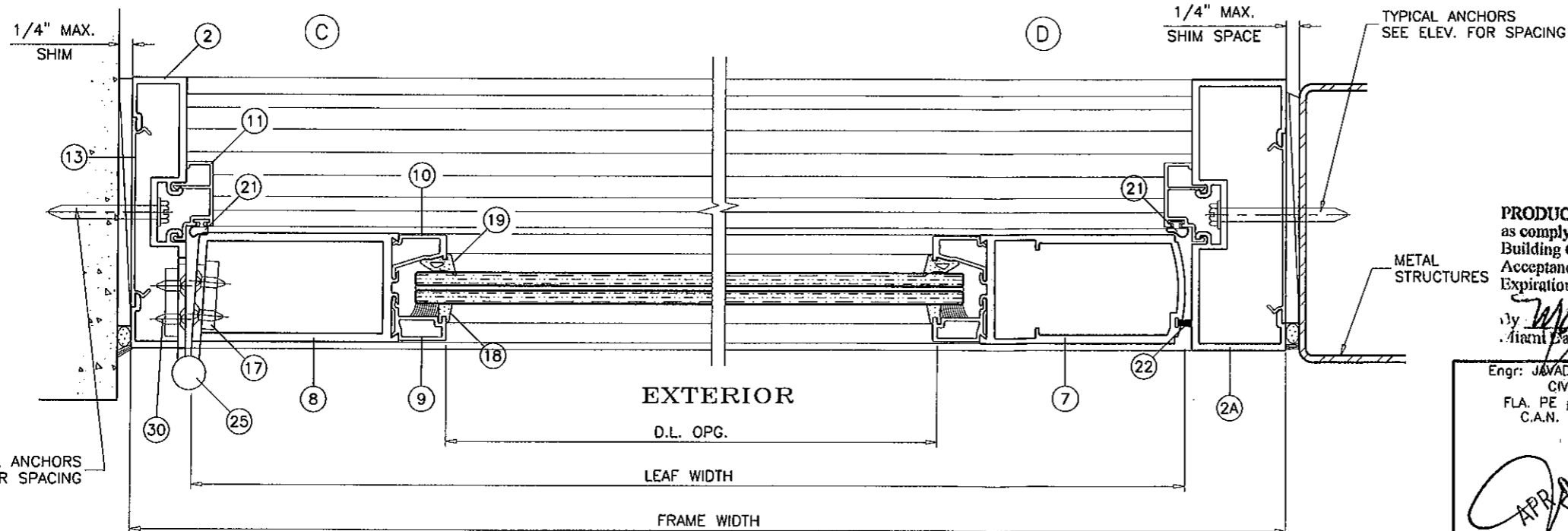
Series 'BAL-350' Aluminum Out-Swing Door (L.M.I.)
 US Aluminum
 Division Of C.R. Laurence Co., Inc.
 7500 N.W. 69TH AVE.
 MIAMI, FL 33166
 TEL. (305) 888-0077 FAX. (305) 884-3111

no	date	by	description
A	06.05.08		UPDATED FOR 2007 FBC
B	12.14.09		ENGR. NAME CHANGED
C	03.26.12		UPDATED TO 2010 FBC

date: 08-13-04
 scale: 3/8" = 1"
 dr. by: HAMID
 chk. by:
 drawing no.
W04-72
 sheet 2 of 5



ITEM #	PART #	REQD.	DESCRIPTION	MATERIAL	MANF./SUPPLIER/REMARKS
1	DLD-105	1	FRAME HEAD	6063-T6	-
2	DLD-119	2	FRAME JAMB	6063-T6	-
2A	DLD-124	2	ALT. FRAME JAMB	6063-T6	-
3	DLD-122	1	FRAME SILL	6063-T6	-
4	DLD-123	1	SILL FILLER	6063-T6	-
5	DLD-107M	1/ LEAF	TOP RAIL	6063-T6	-
6	DLD-110M	1/ LEAF	BOTTOM RAIL	6063-T6	-
7	DLD-115	1/ LEAF	LOCK STILE	6063-T6	-
8	DLD-114	1/ LEAF	HINGE STILE	6063-T6	-
9	DLD-108M	4/ LEAF	EXTERIOR GLASS STOP	6063-T6	-
10	DLD-109M	4/ LEAF	INTERIOR GLASS STOP	6063-T6	-
11	BCE-460	2/ DOOR	DOOR STOP JAMB	6063-T6	-
12	DLD-106	1/ DOOR	DOOR STOP HEAD	6063-T6	-
13	BCE-475	AS REQD.	FLAT FILLER, 2-1/2" LONG	6063-T6	AT ANCHOR LOCATIONS
15	-	-	SHEAR BLOCK, 4-11/16" LONG	ALUMINUM	-
16	DLD-3	-	SHEAR CLIP	6063-T5	-
17	-	-	HINGE REINFORCING PLATE	ALUMINUM	1-1/4" X 1/4" X 8" LONG
18	TR-5399S	-	EXTERIOR GASKET	SILICONE	-
19	TR-3235E	-	INTERIOR GASKET	EPDM	-
20	995	-	GLAZING COMPOUND	SILICONE	DOW CORNING
21	E236	AS REQD.	BULB W'STRIPPING POLYPROPYLENE BASE, TPE BULB	-	ULTRAFAB BASE DURO 90, BULB DURO 73
22	T4216-K	AS REQD.	PILE W'STRIPPING	-	-
24	1350	-	SETTING BLOCK	-	-
25	-	4/ LEAF	BUTT HINGES (4-1/2" X 4")	-	HAGER USA
26	#12 X 1-1/4"	AS REQD.	FRAME ASSEMBLY SCREWS	-	P.H. SMS
27	#12 X 1-1/4"	AS REQD.	FRAME ASSEMBLY SCREWS	-	F.H. SMS
28	1/4-20 X 5/8"	AS REQD.	FRAME ASSEMBLY SCREWS	-	H.H. MACHINE SCREWS
29	10-24 X 1/2"	4/ LEAF	DOOR STOP SCREWS	-	F.H. MACHINE SCREWS
30	12-24 X 1/2"	4/ HASP	HINGE INSTALLATION SCREWS	-	F.H. MACHINE SCREWS



1/4" MAX. SHIM SPACE
TYPICAL ANCHORS SEE ELEV. FOR SPACING

PRODUCT REVISED as complying with the Florida Building Code
 Acceptance No. **12-0405.08**
 Expiration Date **03/24/2016**
 by *Manuel Suarez*
 Miami Door Product Control

Engr: JAVAD AHMAD
 CIVIL
 FLA. PE # 70592
 C.A.N. 3538
APR 25 2012

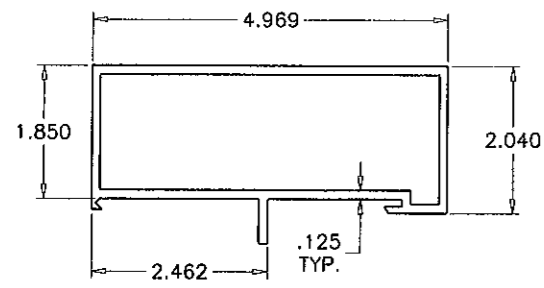
af c
AL-FAROOQ CORPORATION
 ENGINEERS & PRODUCT DEVELOPMENT
 1235 S.W. 87 AVE
 MIAMI, FLORIDA 33174
 TEL. (305) 264-8100 FAX. (305) 262-6978
 COMP-ANL\W04-72DD

Series 'BAL-350' Aluminum Out-Swing Door (L.M.I.)
 US Aluminum
 Division Of C.R. Laurence Co., Inc.
 7500 N.W. 69TH AVE.
 MIAMI, FL 33166
 TEL. (305) 888-0077 FAX. (305) 884-3111

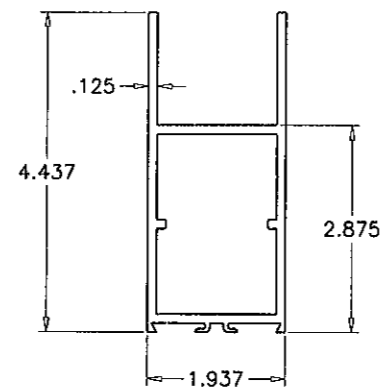
no	date	by	description
A	06.05.08		UPDATED FOR 2007 FBC
B	12.14.09		ENGR. NAME CHANGED
C	03.26.12		UPDATED TO 2010 FBC

date: 08-13-04
 scale: 3/8" = 1"
 dr. by: HAMID
 chk. by:

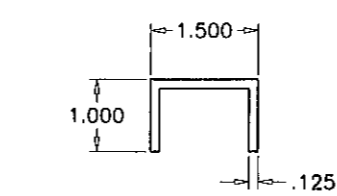
drawing no. **W04-72**
 sheet 3 of 5



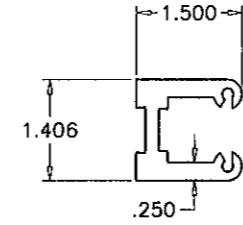
1 FRAME HEAD



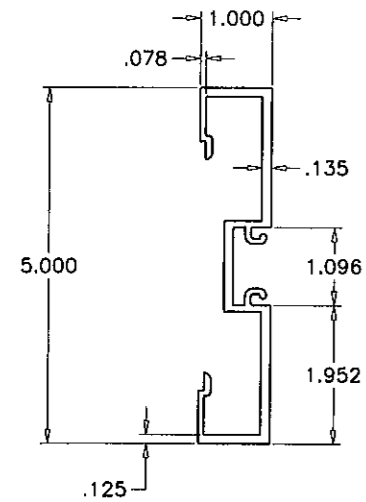
5 TOP RAIL



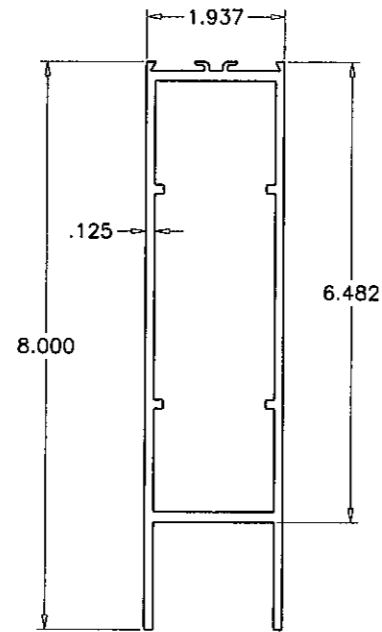
15 SHEAR BLOCK



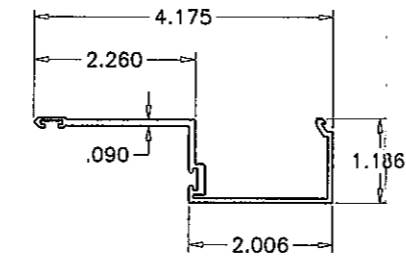
16 SHEAR CLIP



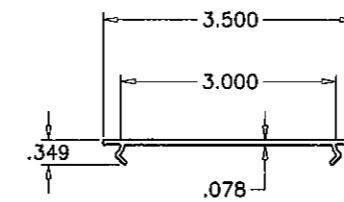
2 FRAME JAMB



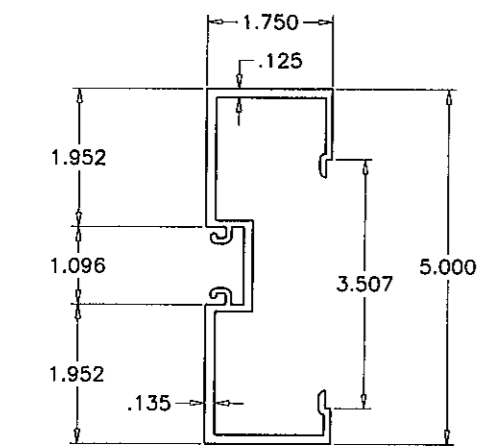
6 BOTTOM RAIL



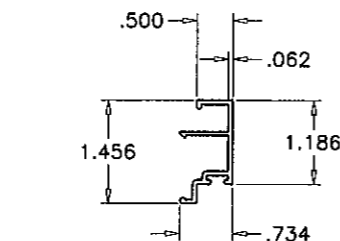
12 DOOR STOP JAMB



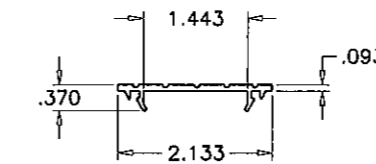
13 FLAT FILLER



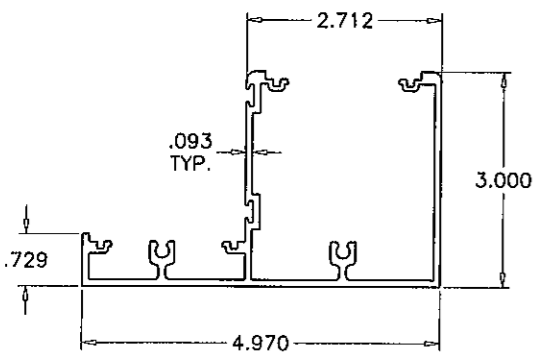
2A ALT. FRAME JAMB



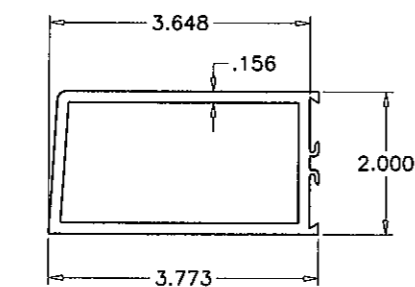
11 DOOR STOP JAMB



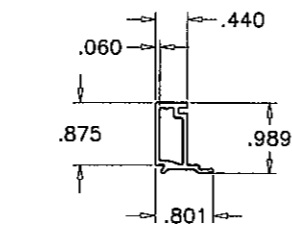
4 SILL FILLER



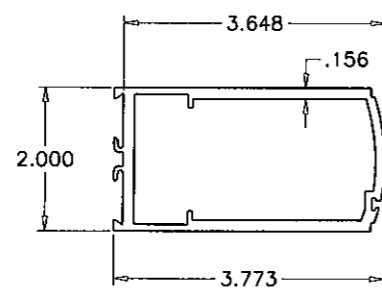
3 FRAME SILL



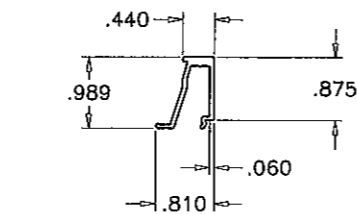
8 HINGE STILE



9 EXTERIOR GLASS STOP



7 LOCK STILE



10 INTERIOR GLASS STOP

PRODUCT REVISED
 as complying with the Florida
 Building Code
 Acceptance No. 12-0405.08
 Expiration Date 03/24/2015
 By *Manuel Ruiz*
 Miami Trade Product Control

Engr: JAVAD AHMAD
 CIVIL
 FLA. PE # 70592
 C.A.N. 3538
J
 APR 05 2012

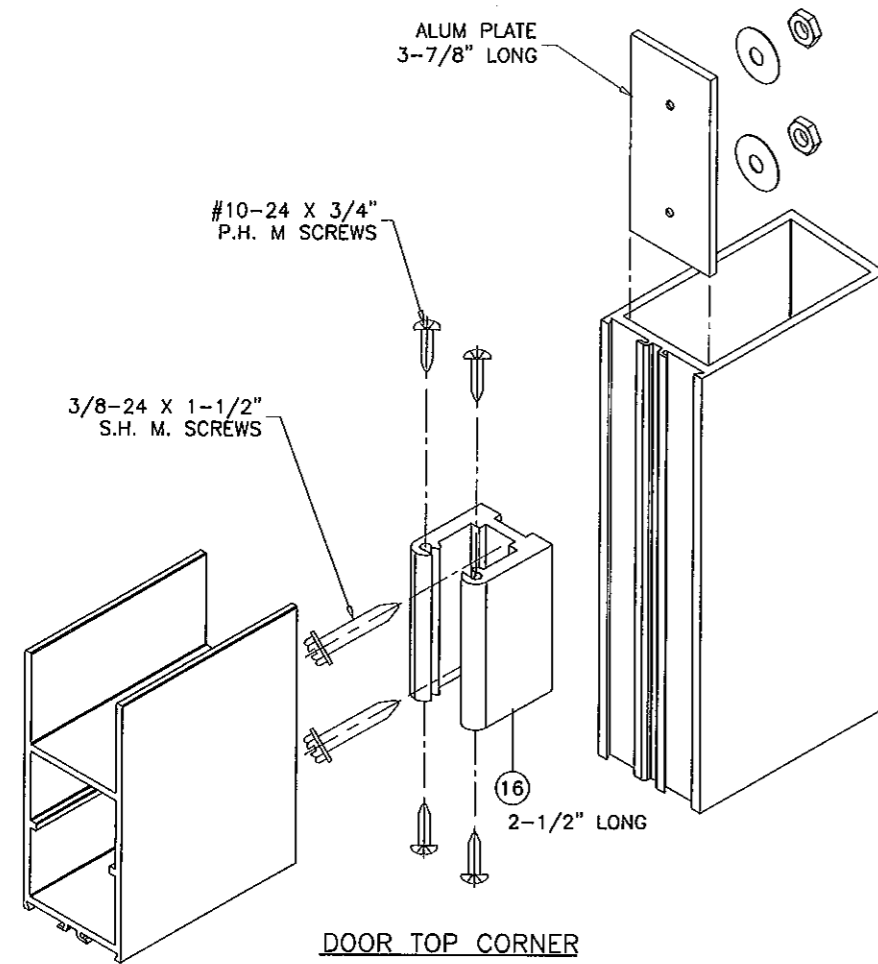
af c
AL-FAROOQ CORPORATION
 ENGINEERS & PRODUCT DEVELOPMENT
 1235 S.W. 87 AVE
 MIAMI, FLORIDA 33174
 TEL. (305) 264-8100 FAX. (305) 262-6978
 COMP-ANL\W04-72DD

Series 'BAL-350' Aluminum Out-Swing Door (L.M.I.)
US Aluminum
 Division Of C.R. Laurence Co., Inc.
 7500 N.W. 69TH AVE.
 MIAMI, FL 33166
 TEL. (305) 888-0077 FAX. (305) 884-3111

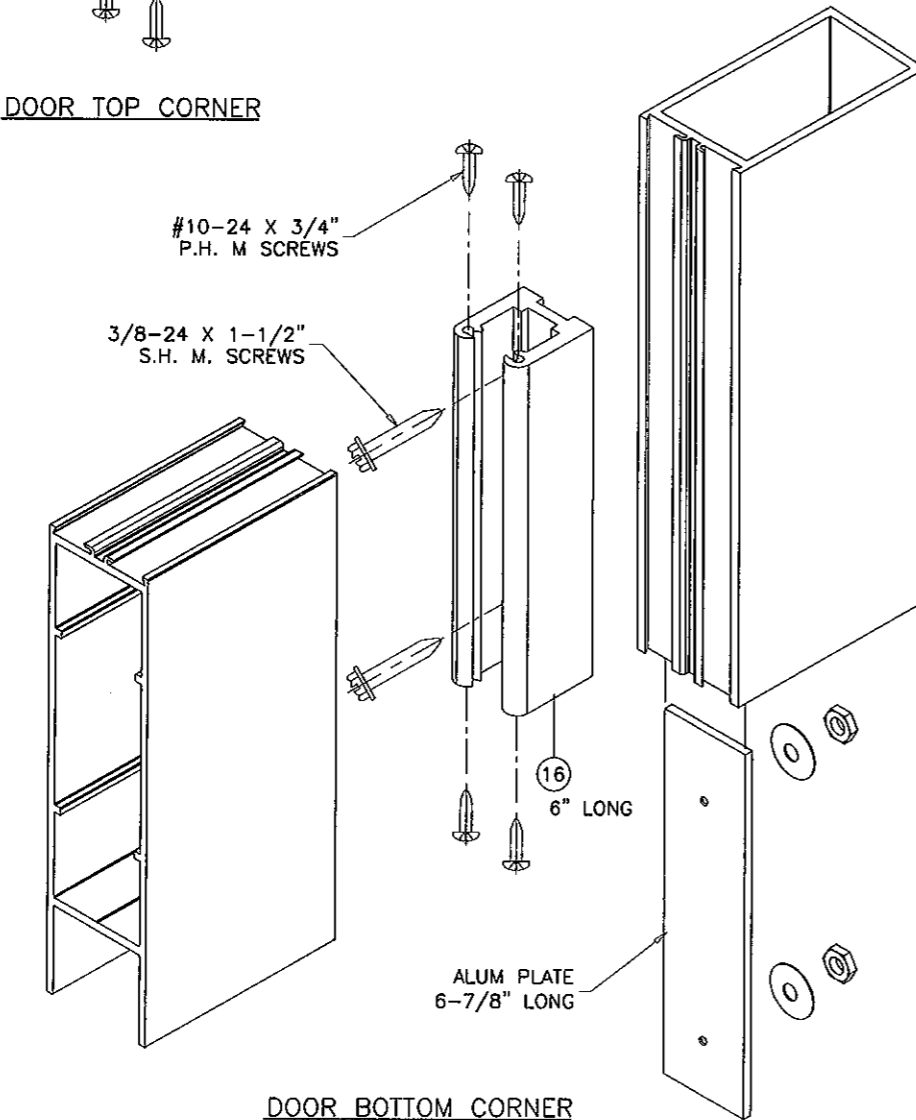
no	date	description
A	06.05.08	UPDATED FOR 2007 FBC
B	12.14.09	ENGR. NAME CHANGED
C	03.26.12	UPDATED TO 2010 FBC

date: 08-13-04
 scale: 3/8" = 1"
 dr. by: HAMID
 chk. by:

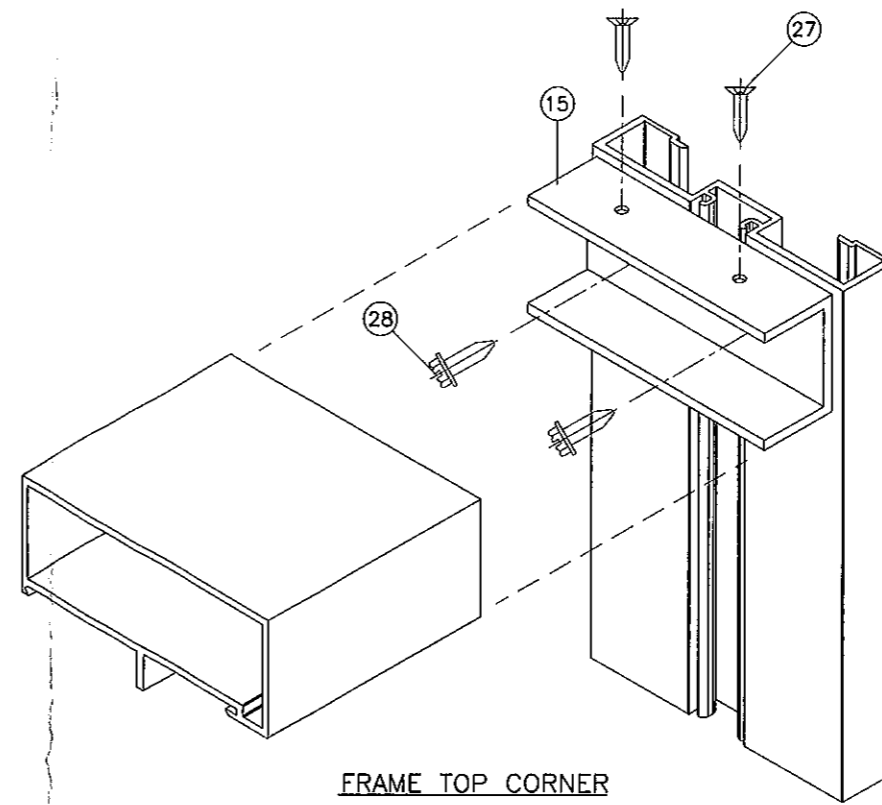
drawing no.
W04-72
 sheet 4 of 5



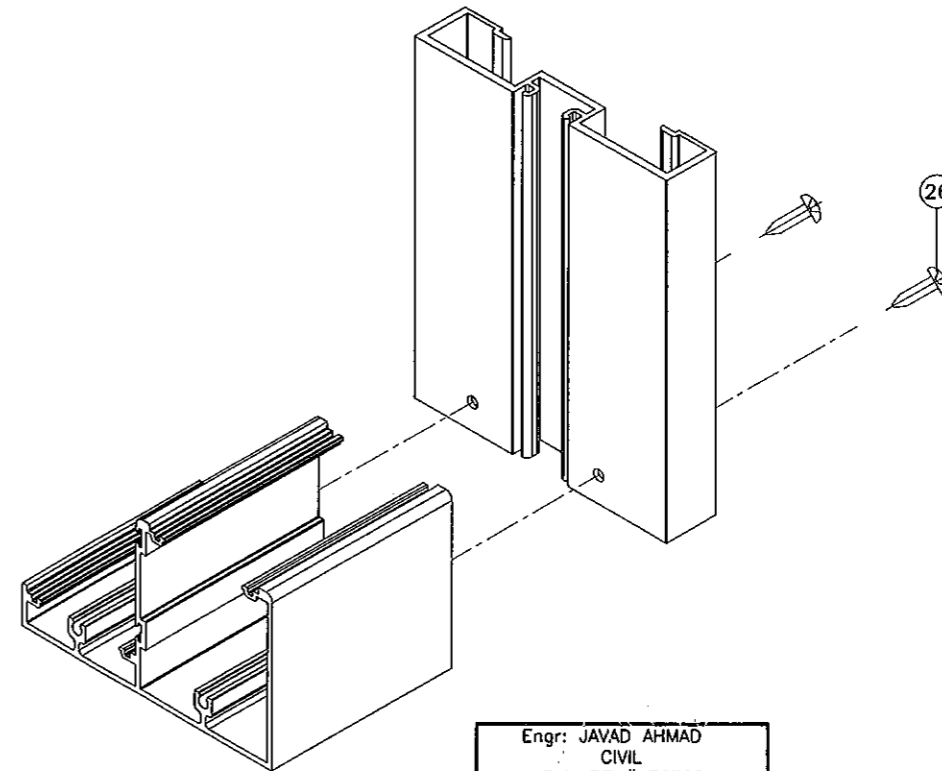
DOOR TOP CORNER



DOOR BOTTOM CORNER



FRAME TOP CORNER



FRAME BOTTOM CORNER

PRODUCT REVISED as complying with the Florida Building Code
 Acceptance No. 12-0405.08
 Expiration Date 03/24/2015
 By *Manuel Diaz*
 Miami Dade Product Control

Engr: JAVAD AHMAD
 CIVIL
 FLA. PE # 70592
 C.A.N. 3538
JA
 APR 05 2012

af c

AL-FAROOQ CORPORATION
 ENGINEERS & PRODUCT DEVELOPMENT
 1235 S.W. 87 AVE
 MIAMI, FLORIDA 33174
 TEL. (305) 264-8100 FAX. (305) 262-6978
 COMP-ANI\W04-72DD

Series 'BAL-350' Aluminum Out-Swing Door (L.M.I.)
 US Aluminum
 Division Of C.R. Laurence Co., Inc.
 7500 N.W. 69TH AVE.
 MIAMI, FL 33166
 TEL. (305) 888-0077 FAX. (305) 884-3111

no	date	by	description
A	06.05.08		UPDATED FOR 2007 FBC
B	12.14.09		ENGR. NAME CHANGED
C	03.26.12		UPDATED TO 2010 FBC

date: 08-13-04
 scale: 3/8" = 1"
 dr. by: HAMID
 chk. by:

drawing no. W04-72
 sheet 5 of 5