



DEPARTMENT OF REGULATORY AND ECONOMIC RESOURCES (RER)
BOARD AND CODE ADMINISTRATION DIVISION

MIAMI-DADE COUNTY
PRODUCT CONTROL SECTION
11805 SW 26 Street, Room 208
T (786) 315-2590 F (786) 315-2599

www.miamidade.gov/economy

NOTICE OF ACCEPTANCE (NOA)

Continental Glass Systems, Inc.
325 West 74th Place
Hialeah, Fl. 33014

SCOPE:

This NOA is being issued under the applicable rules and regulations governing the use of construction materials. The documentation submitted has been reviewed and accepted by Miami-Dade County RER - Product Control Section to be used in Miami Dade County and other areas where allowed by the Authority Having Jurisdiction (AHJ).

This NOA shall not be valid after the expiration date stated below. The Miami-Dade County Product Control Section (In Miami Dade County) and/or the AHJ (in areas other than Miami Dade County) reserve the right to have this product or material tested for quality assurance purposes. If this product or material fails to perform in the accepted manner, the manufacturer will incur the expense of such testing and the AHJ may immediately revoke, modify, or suspend the use of such product or material within their jurisdiction. RER reserves the right to revoke this acceptance, if it is determined by Miami-Dade County Product Control Section that this product or material fails to meet the requirements of the applicable building code.

This product is approved as described herein, and has been designed to comply with the Florida Building Code, including the High Velocity Hurricane Zone.

DESCRIPTION: Series "6000" Aluminum Horizontal Rolling Window – S.M.I.

APPROVAL DOCUMENT: Drawing No. R.W.-6000-S.M.I., titled "Series 6000 Rolling Window – Small Missile Impact" sheets 1 through 7 of 7, dated 01/09/12, with revision #2 dated 01/23/13, prepared by manufacturer, signed and sealed by Kelvyn Whitfield, P.E., bearing the Miami-Dade County Product Control Approval stamp with the Notice of Acceptance number and approval date by the Miami-Dade County Product Control Section.

MISSILE IMPACT RATING: Small Missile Impact Resistant

LABELING: Each unit shall bear a permanent label with the manufacturer's name or logo, city, state, model/series, and following statement: "Miami-Dade County Product Control Approved", unless otherwise noted herein.

RENEWAL of this NOA shall be considered after a renewal application has been filed and there has been no change in the applicable building code negatively affecting the performance of this product.

TERMINATION of this NOA will occur after the expiration date or if there has been a revision or change in the materials, use, and/or manufacture of the product or process. Misuse of this NOA as an endorsement of any product, for sales, advertising or any other purposes shall automatically terminate this NOA. Failure to comply with any section of this NOA shall be cause for termination and removal of NOA.

ADVERTISEMENT: The NOA number preceded by the words Miami-Dade County, Florida, and followed by the expiration date may be displayed in advertising literature. If any portion of the NOA is displayed, then it shall be done in its entirety.

INSPECTION: A copy of this entire NOA shall be provided to the user by the manufacturer or its distributors and shall be available for inspection at the job site at the request of the Building Official.

This NOA consists of this page 1 and evidence page E-1, as well as approval document mentioned above.

The submitted documentation was reviewed by Manuel Perez, P.E.



MP
3/14/13

NOA No. 12-0702.05
Expiration Date: March 21, 2018
Approval Date: March 21, 2013

Continental Glass Systems, Inc.

NOTICE OF ACCEPTANCE: EVIDENCE SUBMITTED

A. DRAWINGS

1. Manufacturer's die drawings and sections.
2. Drawing No.**R.W.-6000-S.M.I.**, titled "Series 6000 – Rolling Window - Small Missile Impact", sheets 1 to 7 of 7, dated 01/09/12, with revision #2 dated 01/23/13, prepared by manufacturer, signed and sealed by Kelvyn Whitfield, P.E.

B. TESTS

1. Test reports on:
 - 1) Air Infiltration Test, per FBC, TAS 202-94
 - 2) Uniform Static Air Pressure Test, Loading per FBC, TAS 202-94
 - 3) Water Resistance Test, per FBC, TAS 202-94
 - 4) Forced Entry Test, per FBC 2411 3.2.1, TAS 202-94
 - 5) Small Missile Impact Test per FBC, TAS 201-94
 - 6) Cyclic Wind Pressure Loading per FBC, TAS 203-94along with marked-up drawings and installation diagram of an aluminum rolling window , prepared by Fenestration Testing Laboratory, Inc., Test Report No. **FTL-6786**, dated 01/23/12, signed and sealed by Marlin D. Brinson, P.E.

C. CALCULATIONS

1. Anchor verification calculations and structural analysis, complying with FBC-2010, dated 02/20/12 and 10/21/120, prepared, signed and sealed by Kelvyn A. Whitfield, P.E.
2. Glazing complies with ASTM E1300-04

D. QUALITY ASSURANCE

1. Miami-Dade Department of Regulatory and Economic Resources (RER)

E. MATERIAL CERTIFICATIONS


1. Notice of Acceptance No. **11-0624.02** issued to **E.I. DuPont DeNemours & Co., Inc.** for their "**DuPont SentryGlas® Interlayer**" dated 08/25/11, expiring on 01/14/17.

F. STATEMENTS

1. Statement letter of conformance, complying with the FBC-2010, dated May 15, 2012, signed and sealed by Kelvyn A. Whitfield, P.E.
2. Statement letter of no financial interest, dated May 15, 2012, signed and sealed by Kelvyn A. Whitfield, P.E.
3. Proposal No. **11-1506** issued by Product Control Section, dated December 1, 2011, signed by Manuel Perez, P.E.

G. OTHER

1. None.


Manuel Perez, P.E.
Product Control Examiner
NOA No. 12-0702.05
Expiration Date: March 21, 2018
Approval Date: March 21, 2013

SERIES 6000 ROLLING WINDOW SMI

NOTES:

1. THIS ROLLING WINDOW SYSTEM IS DESIGNED AND TESTED TO COMPLY WITH THE REQUIREMENTS OF THE 2010 (FBC) FLORIDA BUILDING CODE CHAPTER 16 AND 24, UNDER THE SPECIFIC CONDITION SHOWN ON THIS DRAWING. REF. FTL No. 6786
 2. ALL EXTRUSIONS ARE ALUMINUM, 6005-T5 ALLOY, WITH A MINIMUM Fy OF 35,000 P.S.I. U.O.N.

3. SMALL MISSILE IMPACT: INSTALLATION WILL REQUIRE A HURRICANE PROTECTION SYSTEM. BUT FOR INSTALLATION ABOVE 30 FT ABOVE GRADE WILL NOT REQUIRE A HURRICANE PROTECTION SYSTEM.

4. INSTALLATION ANCHORS ARE $\frac{1}{4}$ " AND $\frac{5}{16}$ " ϕ I.T.W. TAP-CON. $1\frac{1}{2}$ " MIN. EMBEDMENT INTO FILLED CONCRETE BLOCK OR BETTER.
 NOTE: $\frac{1}{4}$ " ϕ ANCHORS ARE ONLY ALLOWED WHEN THE SHIM SPACE DOES NOT EXCEED $\frac{1}{4}$ ".

5. SHIMS. USE HARD PLASTIC.

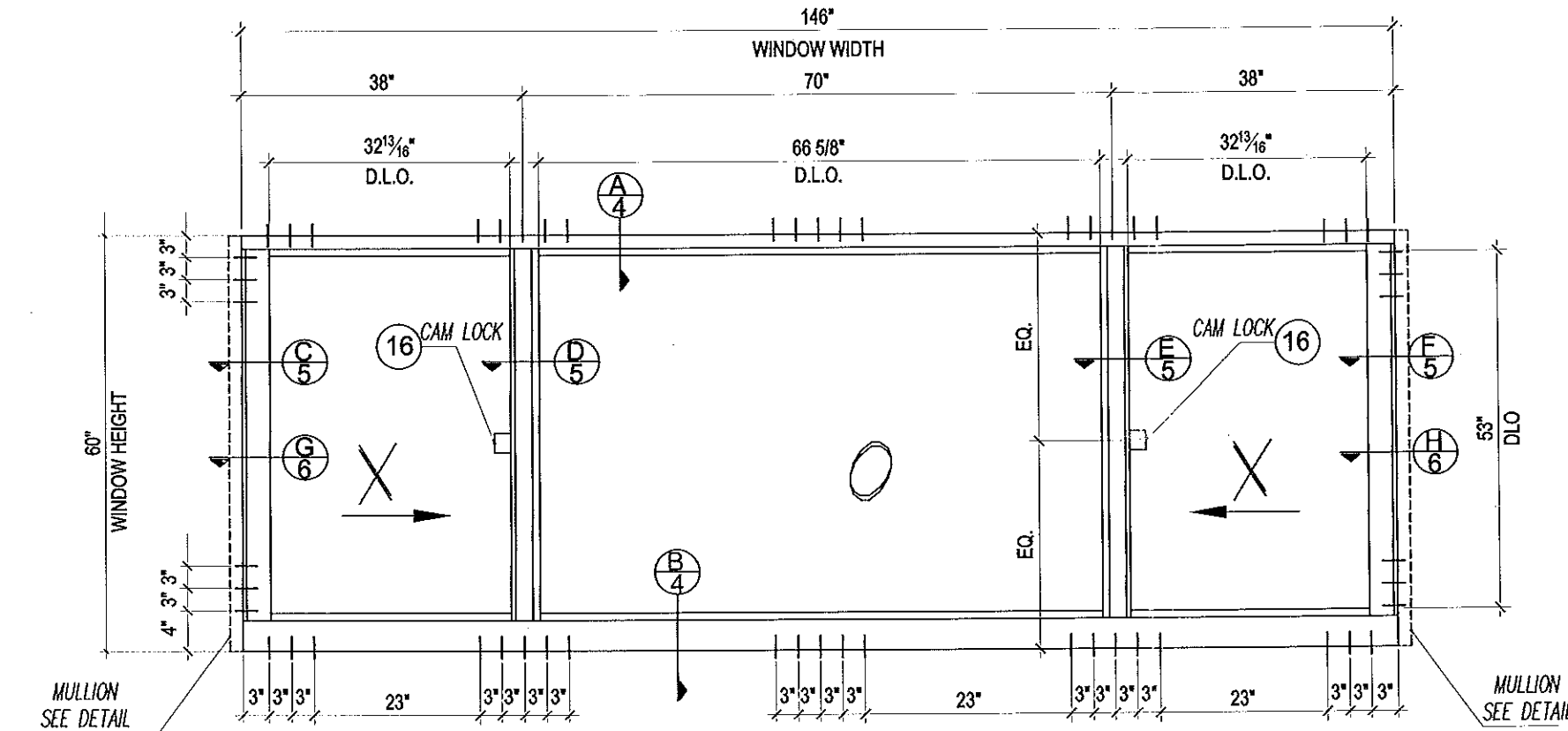
6. APPROVED STRUCTURAL SILICONE:
 A) 795 DOW CORNING
 B) 983 DOW CORNING

7. PERIMETER SEALANT DOW CORNING 790 TYPICAL

Continental Glass Systems INC.
 325 West 74 Place
 Hialeah Florida, 33014
 Phone 305-231-1101 Fax 305-231-1103

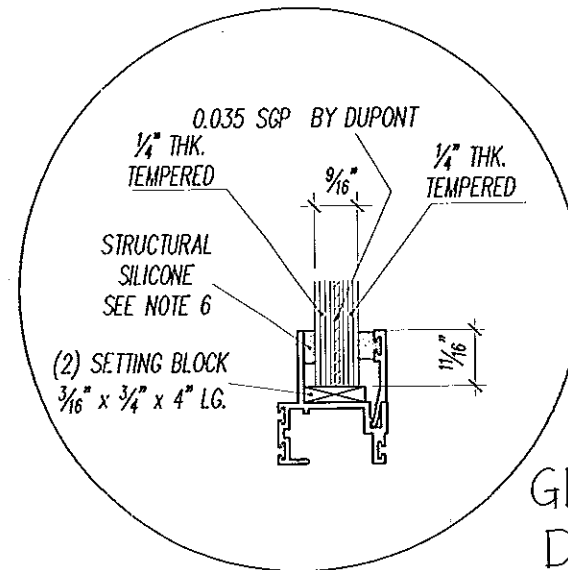
Series 6000
 ROLLING WINDOW
 SMALL MISSILE
 IMPACT

REVISION	
No	Description
1	10.21.12 M.E.P. BCCO
2	01.23.13 M.E.P. BCCO
Date	1-09-12
Scale	N.T.S.
Design by	G. S.
Drawing by	M.E.P.
Checked by	G. S.
Drawing No.	R.W.-6000-S.M.I
Sheet	1 of 7



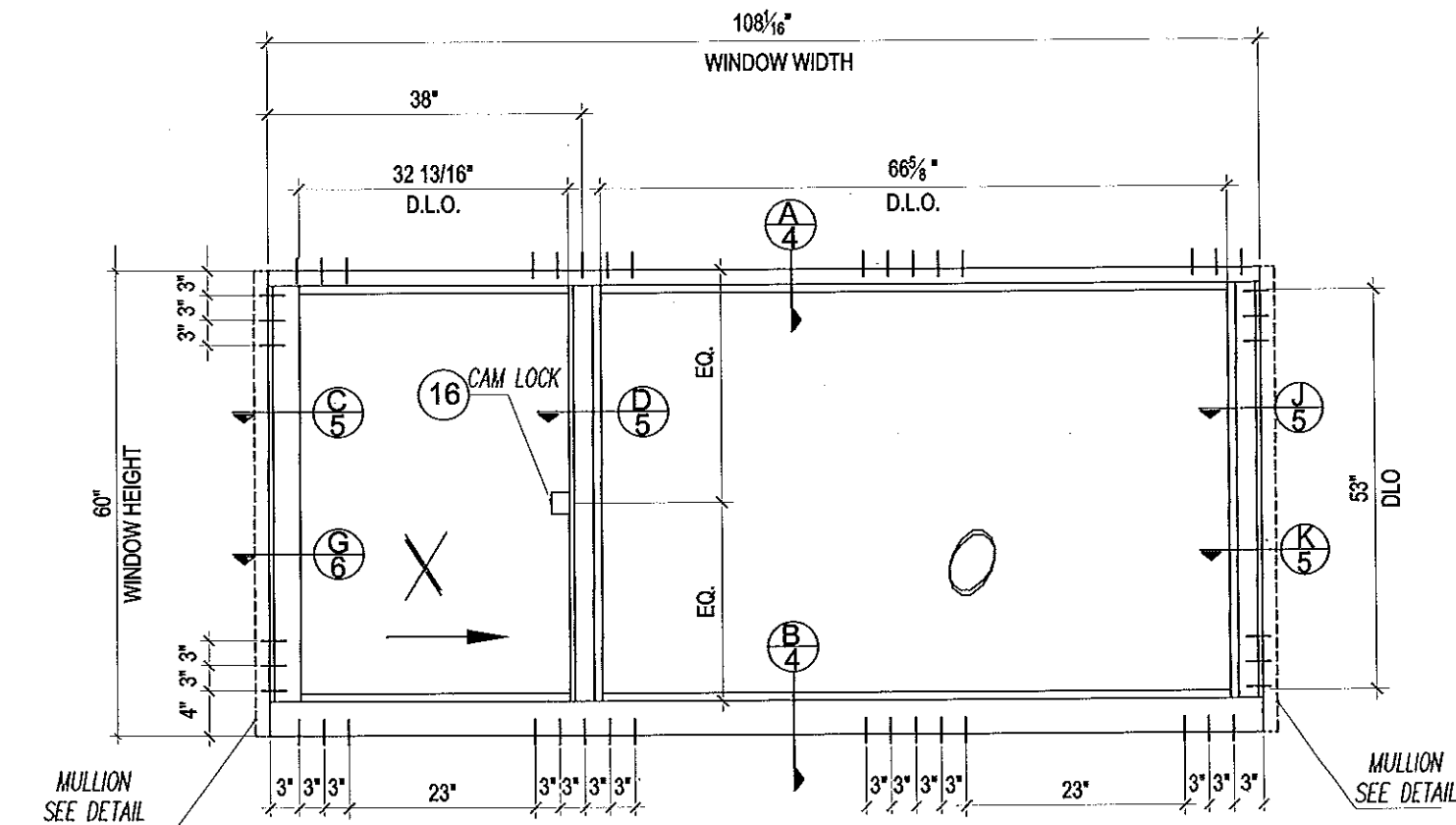
WINDOW ELEVATION
 EXTERIOR VIEW

Design Load Capacity (P. S. F.)		
Positive	Negative	Reinforcing
OVER 90 UP TO 110	110	3/8"x1"X40"LG MAX. Steel bar
90	90	None

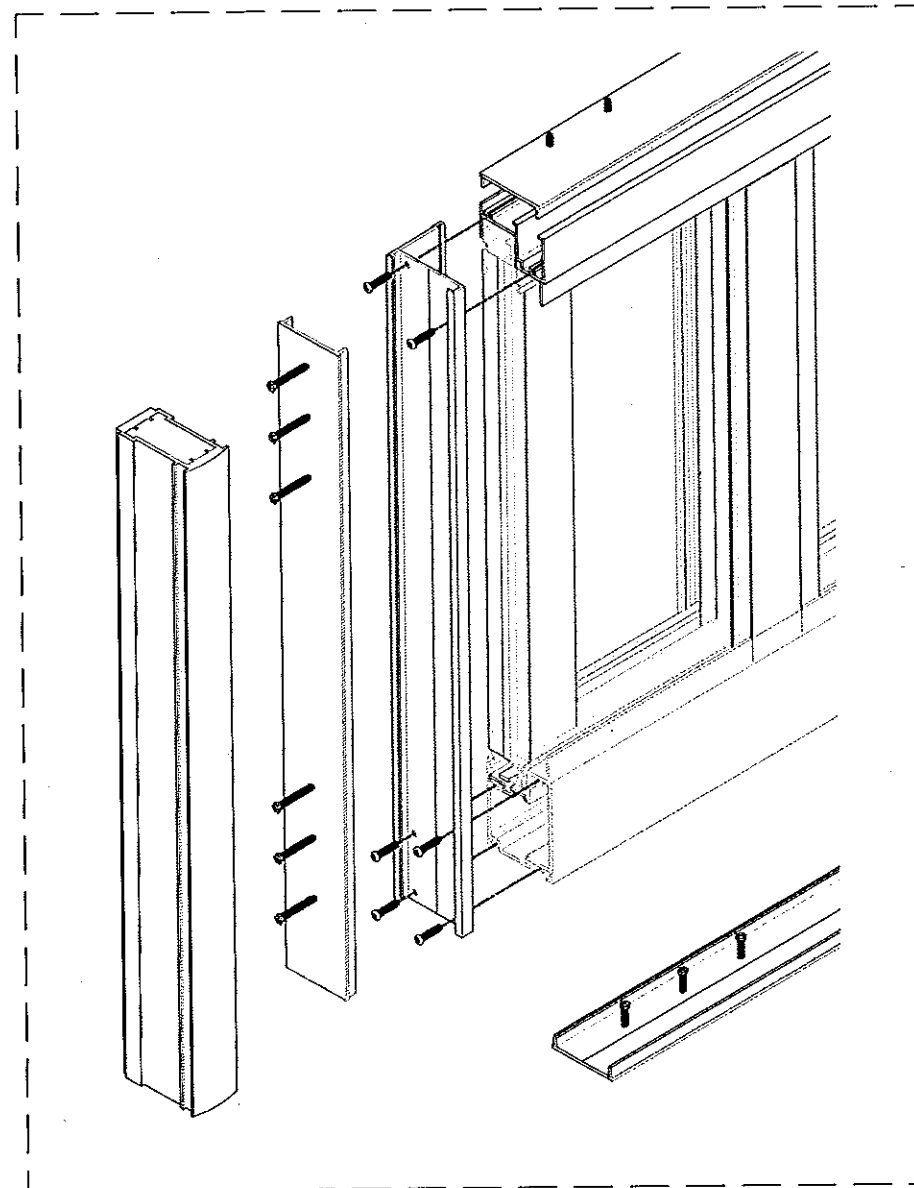


GLAZING
 DETAIL

APPROVED	ELEVATION
Approved as complying with the Florida Building Code Date <u>March 21, 2013</u> NOAH <u>12-0702-05</u> Miami Dade Product Control By <u>Mmanuel Perry</u>	KELVYN WHITFIELD, P.E. 1002 NE 116 ST MIAMI, FL 33161 DATE <u>01/28/13</u> FLORIDA No-24140 MECHANICAL



WINDOW ELEVATION
EXTERIOR VIEW



Design Load Capacity (P. S. F.)		
Positive	Negative	Reinforcing
OVER 90 UP TO 110	110	3/8"x1"X40"LG MAX. Steel bar
90	90	None

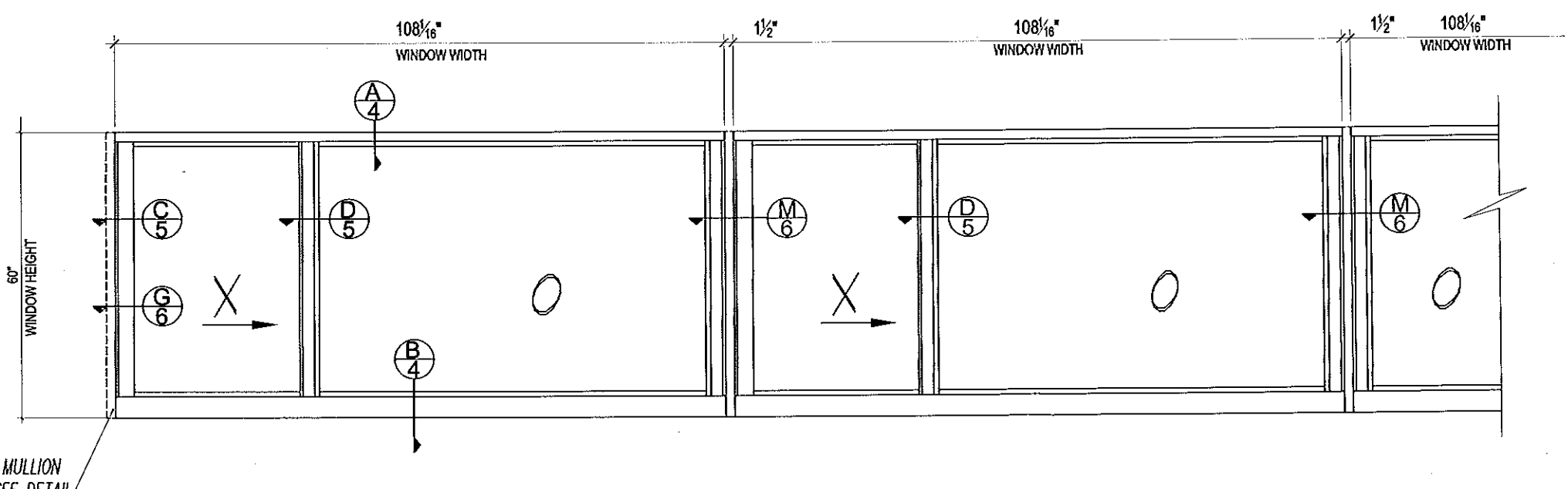
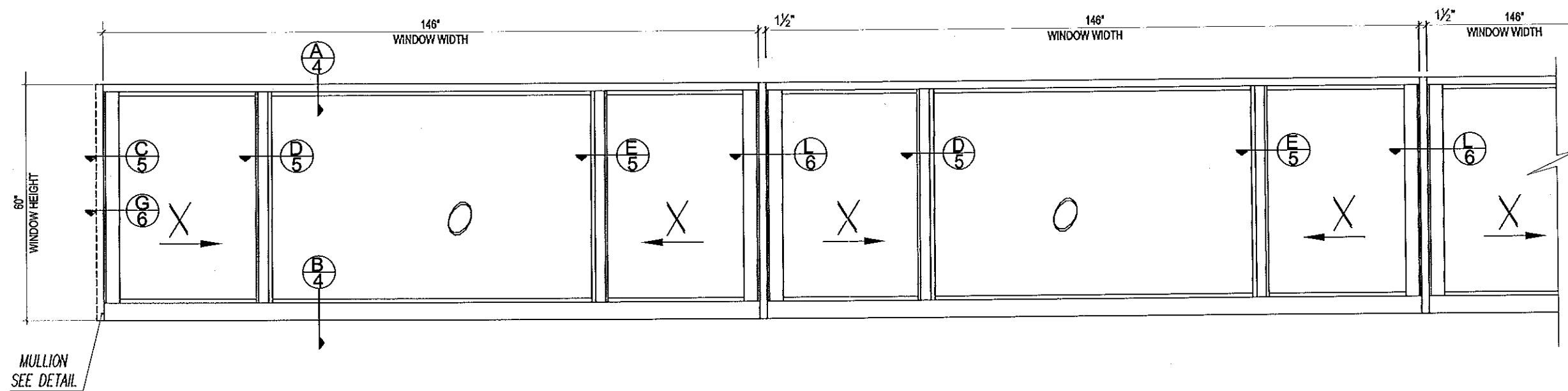
Continental Glass Systems INC.
325 West 74 Place
Hialeah Florida, 33014
Phone 305-231-1101 Fax 305-231-1103

Series 6000
ROLLING WINDOW
SMALL MISSILE
IMPACT

REVISION		
No	Date	By Description
A	10.21.12	M.E.P. BCCO
B	01.23.13	M.E.P. BCCO

Date	1-09-12
Scale	N.T.S.
Design by	G. S.
Drawing by	M.E.P.
Checked by	G. S.
Drawing No. R.W.-6000-S.M.I	
Sheet 2 of 7	

APPROVED	ELEVATION
Approved as complying with the Florida Building Code Date <u>March 21, 2013</u> NOA# <u>12-0162-05</u> Miami Dade Product Control By <u>[Signature]</u>	KELVYN WHITFIELD, P.E. 1002 NE 116 ST MIAMI, FL 33161 DATE <u>01/28/13</u> FLORIDA No-24140 MECHANICAL



WINDOW CONFIGURATION
EXTERIOR VIEW

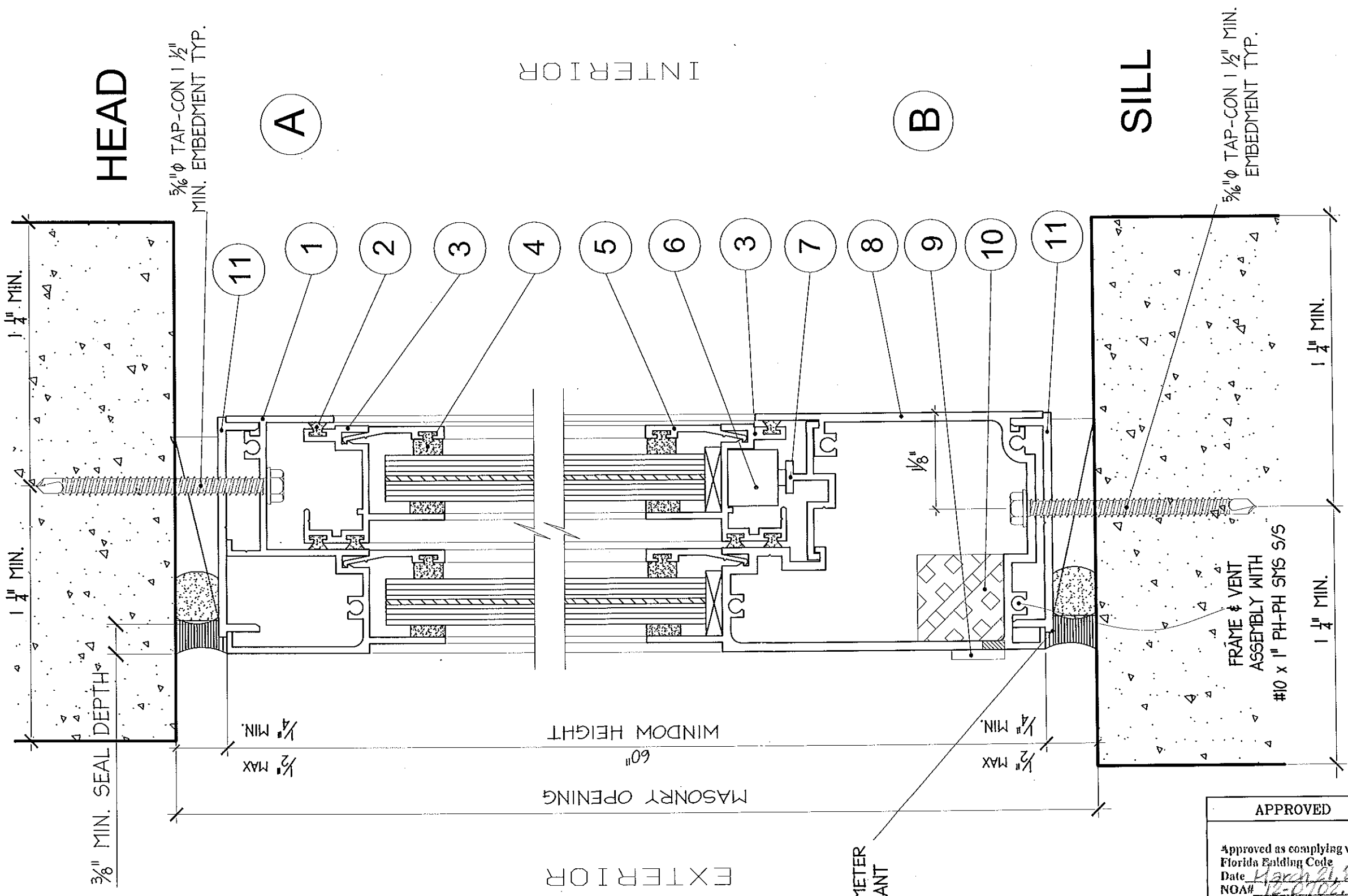
Continental Glass Systems INC.
325 West 74 Place
Hialeah Florida, 33014
Phone 305-231-1101 Fax 305-231-1103

Series 6000
ROLLING WINDOW
SMALL MISSILE
IMPACT

REVISION	
No	Description
1	M.E.P. ECCO
2	M.E.P. ECCO

Date: 1-09-12
Scale: N.T.S.
Design by: G. S.
Drawing by: M.E.P.
Checked by: G. S.
Drawing No.: R.W.-6000-S.M.I.
Sheet 3 of 7

APPROVED	ELEVATION
Approved as complying with the Florida Building Code Date <u>March 21, 2013</u> NOAH <u>12-0702-05</u> Miami Dade Product Control By: <u>[Signature]</u>	KELVYN WHITFIELD, P.E. 1002 NE 116 ST MIAMI, FL 33161 DATE <u>01/28/13</u> FLORIDA No-24140 MECHANICAL



SECTIONS FOR
DIRECT MOUNTING

Continental Glass Systems INC.
325 West 74 Place
Hialeah Florida, 33014
Phone 305-231-1101 Fax 305-231-1103

Series 6000
ROLLING WINDOW
SMALL MISSILE
IMPACT

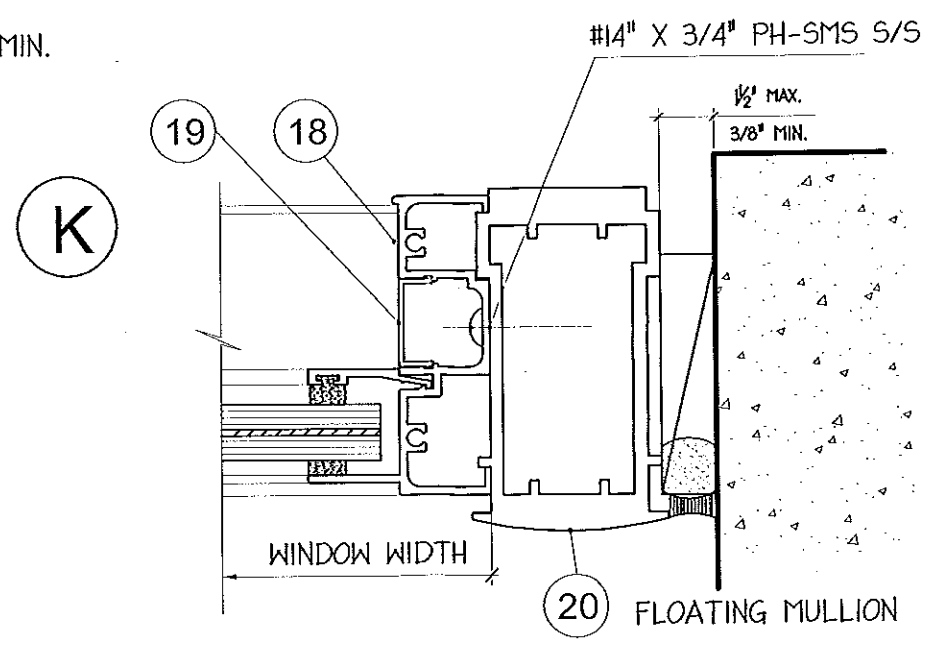
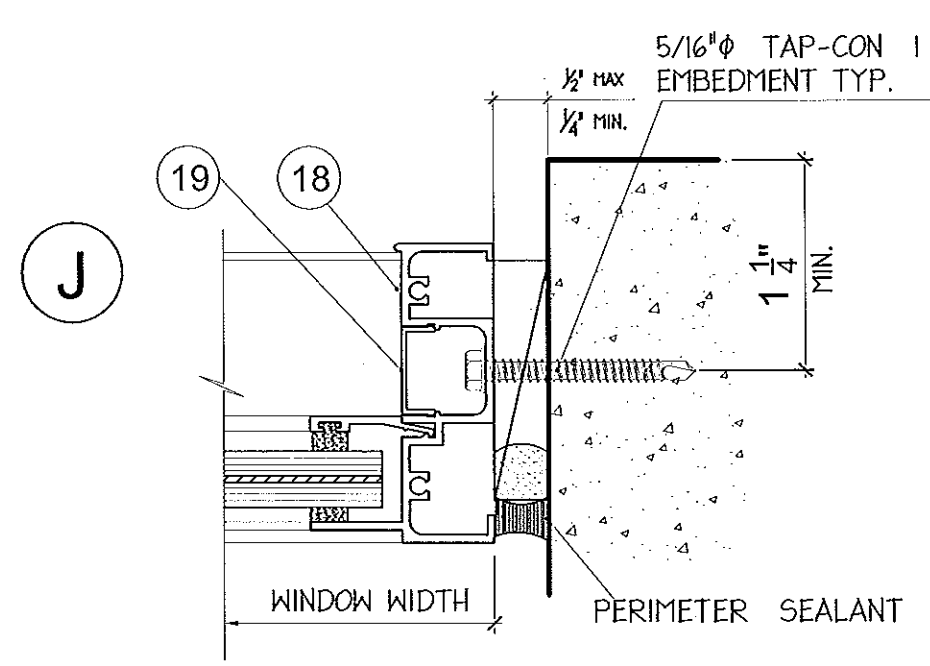
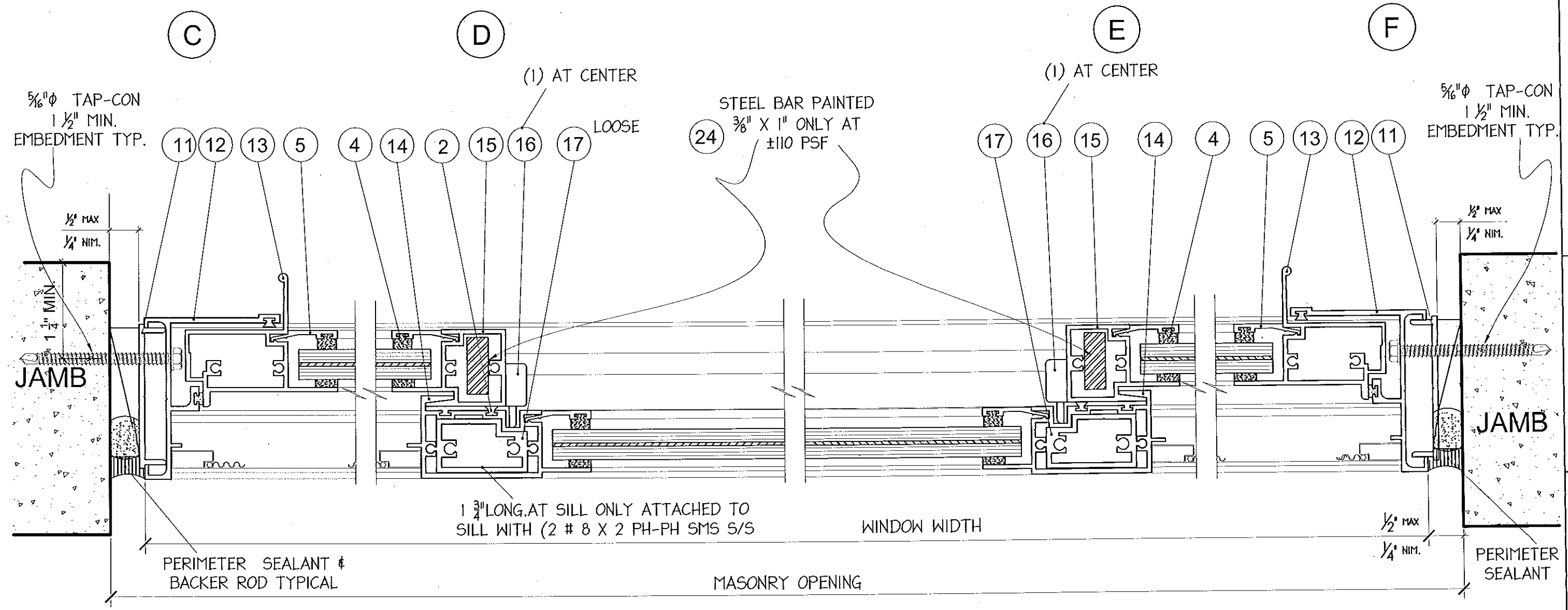
REVISION	
No	Description
1	10.21.12 M.E.P. BCCO
2	01.23.13 M.E.P. BCCO

Date: 1-09-12
Scale:
Design by: G. S.
Drawing by: M.E.P.
Checked by: G. S.
Drawing No.: R.W.-6000-S.M.1
Sheet 4 of 7

APPROVED
Approved as complying with the Florida Building Code
Date: March 21, 2013
NOA#: 12-0704-03
Miami Dade Product Control
By: Manuel Ruiz

DETAILS
KELVYN WHITFIELD, P.E.
1002 NE 116 ST
MIAMI, FL 33161
DATE: 3/20/13
FLORIDA No-24140
MECHANICAL

INTERIOR



Continental Glass Systems INC.
 325 West 74 Place
 Hialeah Florida, 33014
 Phone 305-231-1101 Fax 305-231-1103

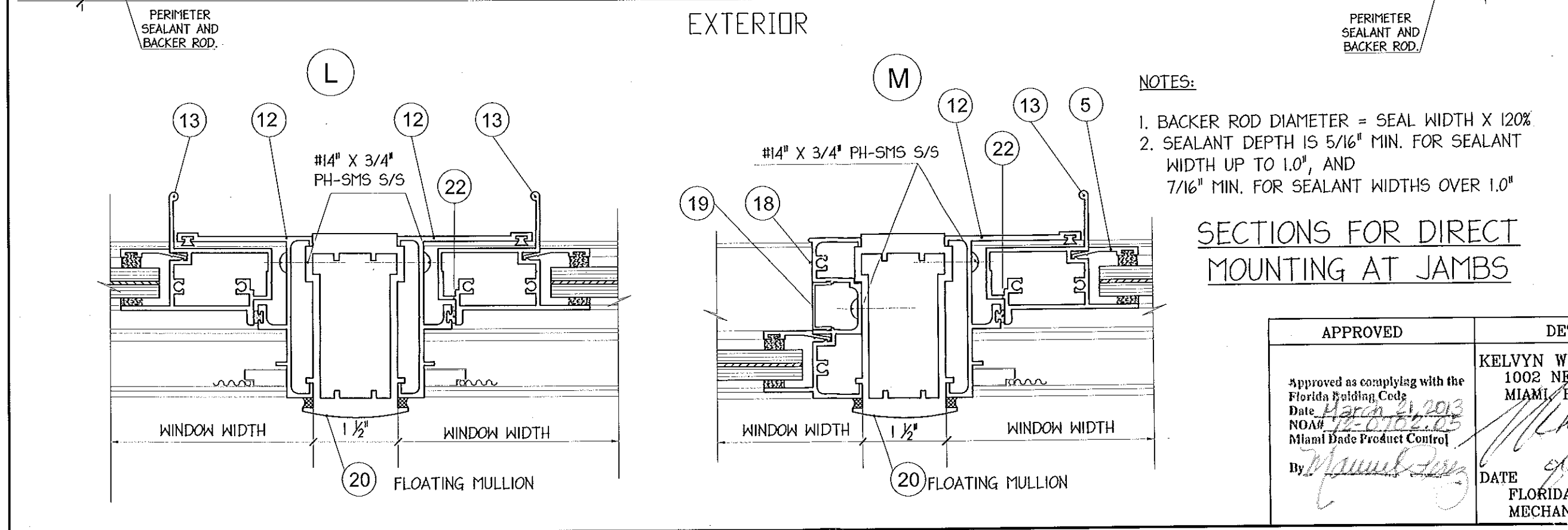
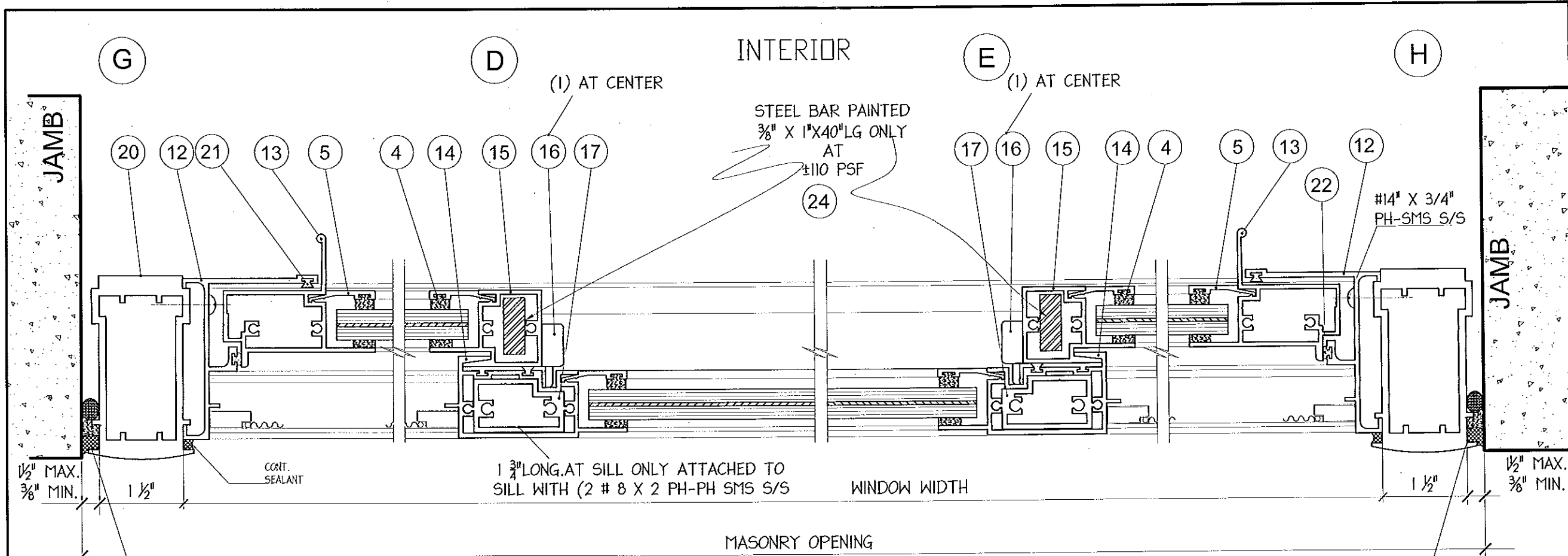
Series 6000
 ROLLING WINDOW
 SMALL MISSILE
 IMPACT

REVISION	
No	Date
Δ	10.21.12
Δ	01.23.13

REVISION	
By	Description
M.E.P.	B.C.C.O
M.E.P.	B.C.C.O

Date: 1-09-12
 Scale:
 Design by: G. S.
 Drawing by: M.E.P.
 Checked by: G. S.
 Drawing No.: R.W.-6000-S.M.I
 Sheet 5 of 7

APPROVED	DETAILS
Approved as complying with the Florida Building Code Date: <u>March 21, 2013</u> NOAH# <u>12-0702-05</u> Miami Dade Product Control By: <u>Mmanuel Berry</u>	KELVYN WHITFIELD, P.E. 1002 NE 116 ST MIAMI, FL 33161 DATE: <u>6/29/13</u> FLORIDA No-24140 MECHANICAL



- NOTES:
1. BACKER ROD DIAMETER = SEAL WIDTH X 120%
 2. SEALANT DEPTH IS 5/16" MIN. FOR SEALANT WIDTH UP TO 1.0", AND 7/16" MIN. FOR SEALANT WIDTHS OVER 1.0"

SECTIONS FOR DIRECT MOUNTING AT JAMBS

Continental Glass Systems INC.
 325 West 74 Place
 Hialeah Florida, 33014
 Phone 305-231-1101 Fax 305-231-1103

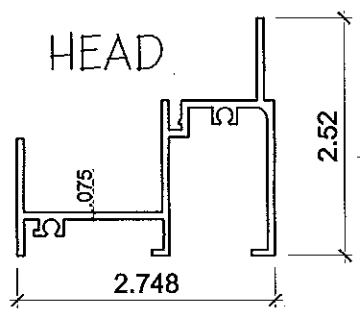
Series 6000
 ROLLING WINDOW
 SMALL MISSILE
 IMPACT

REVISION	
No	Description
1	10.21.12 M.E.P. B.C.C.O.
2	01.23.13 M.E.P. B.C.C.O.

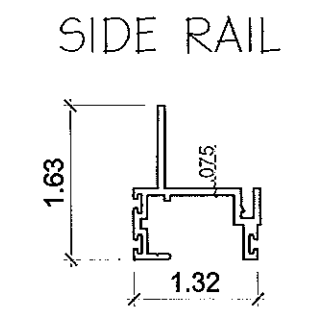
Date	1-09-12
Scale	
Design by	G. S.
Drawing by	M.E.P.
Checked by	G. S.
Drawing No.	R.W.-6000-S.M.I.
Sheet 6 of 7	

APPROVED	DETAILS
Approved as complying with the Florida Building Code Date <u>March 21, 2013</u> NOA# <u>12-0102-05</u> Miami Dade Product Control By <u>[Signature]</u>	KELVYN WHITFIELD, P.E. 1002 NE 116 ST MIAMI, FL 33161 <u>[Signature]</u> DATE <u>03/28/13</u> FLORIDA No-24140 MECHANICAL

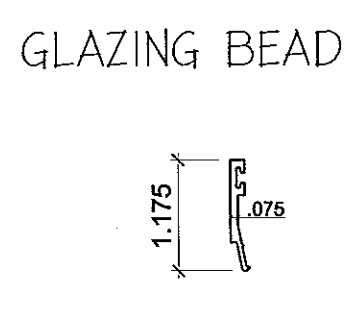
ROLLING WINDOW



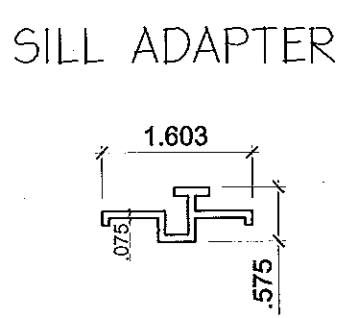
① 6000-02



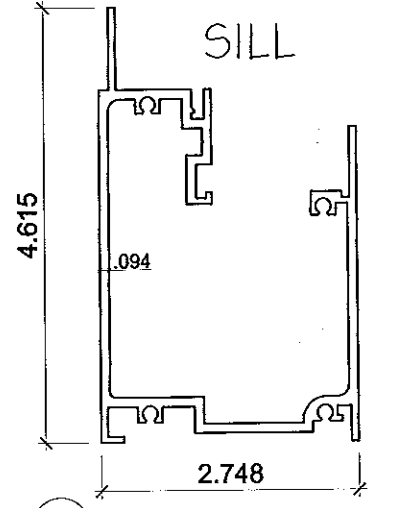
③ 6000-05



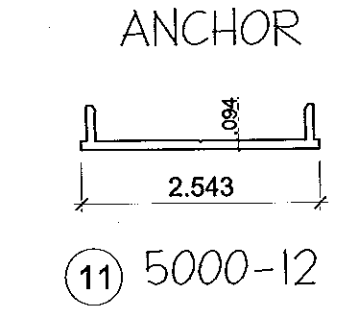
⑤ 5000-08



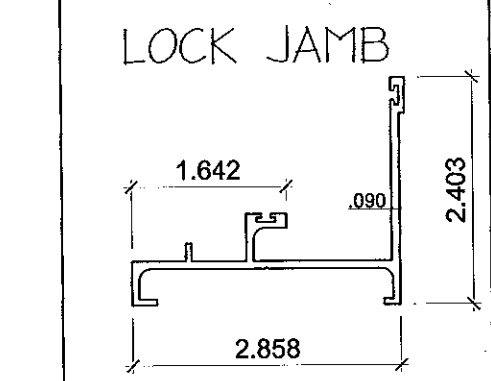
⑦ 6000-04



⑧ 6000-01

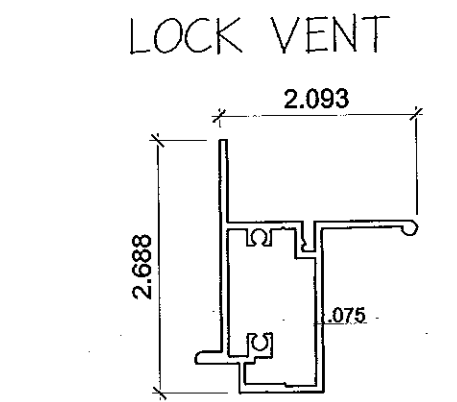


⑪ 5000-12

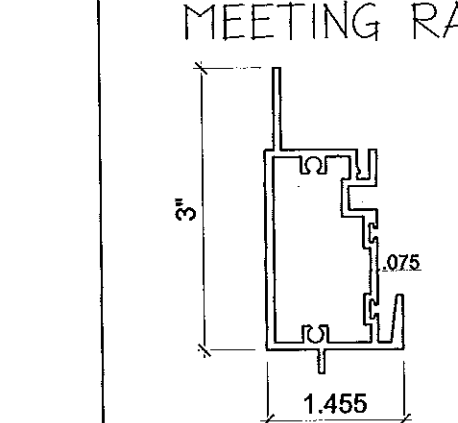


⑫ 6000-03

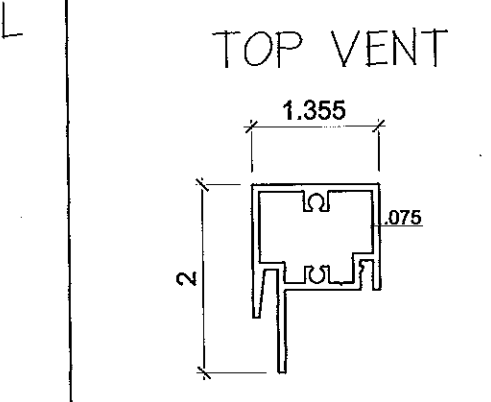
ITEM #	PART #	PART NAME	REMARKS	MATERIAL
1	6000-02	HEAD	FRAME	6005-T5
2		FIN-SEAL .250 x .187	ULTRAFAB	
3	6000-05	SIDE RAIL	VENT	6005-T5
4		GLASS SPACING	PROTOTYPE PLASTIC EXTRUSION	
5	5000-08	GLAZING BEAD	VENT	
6		WHEEL	DNS	
7	6000-04	SILL ADAPTER	FRAME	6005-T5
8	6000-01	SILL	FRAME	6005-T5
9		WATER WEEP	DNS	
10		BAFFLE 1 x 1 x 2"	FRANK LOWE	
11	5000-12	ANCHOR		6005-T5
12	6000-03	LOCK JAMB	FRAME	6005-T5
13	5000-06	LOCK VENT	VENT I = 0.055 IN ⁴	6005-T5
14	5000-04	MEETING RAIL	FRAME I = 0.185 IN ⁴	6005-T5
15	5000-05	TOP VENT	VENT I = 0.119 IN ⁴	6005-T5
16	SL-01	CAM LOCK	DNS (1) PER VENT.	
17	6000-06	CLIP & REINFORCING		6005-T5
18	5000-15	JAMB	FRAME I = 0.593 IN ⁴	6005-T5
19	5000-16	JAMB COVER		
20	5000-14	MULLION	I = 2.473 IN ⁴	6005-T5
21		FIN-SEAL .400 x .187	ULTRAFAB	
22	E-206	VINYL BULB	PROTOTYPE EXTRUSION	
23				
24	NONE	3/8"X1" STEEL BAR	40" LONG. MAX., LOOSE	A-36



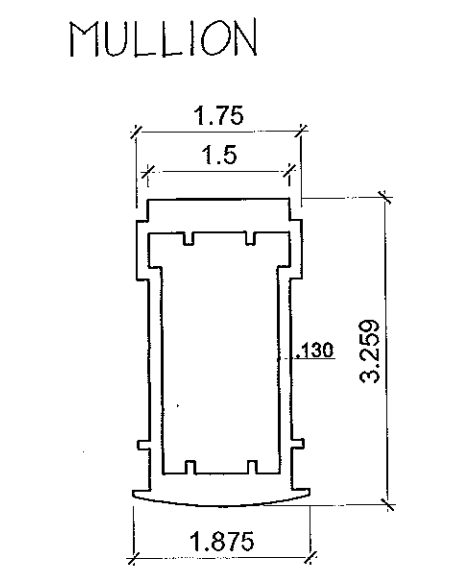
⑬ 5000-06



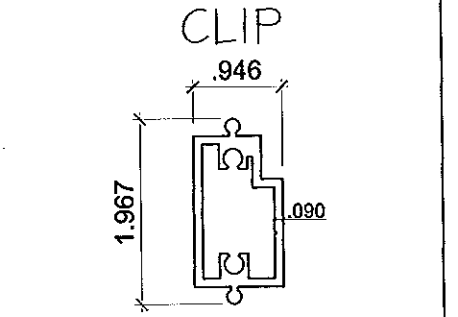
⑭ 5000-04



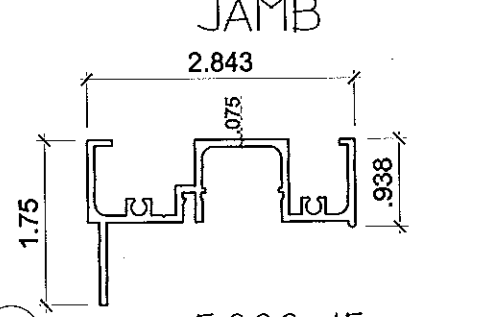
⑮ 5000-05



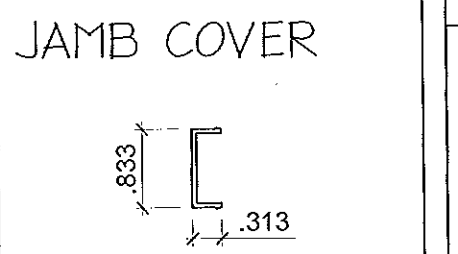
⑳ 5000-14



⑰ 6000-06



⑱ 5000-15



⑲ 5000-16

Continental Glass Systems INC.
325 West 74 Place
Hialeah Florida, 33014
Phone 305-231-1101 Fax 305-231-1103

Series 6000
ROLLING WINDOW
SMALL MISSILE
IMPACT

REVISION		No	Date	By	Description
1		10.23.12		M.E.P	BCCO
2		01.23.13		M.E.P	BCCO

Date: 9-18-07
Scale: N.T.S.
Design by: G. S.
Drawing by: RICHARD
Checked by: G. S.
Drawing No. R.W.-6000-S.M.I.
Sheet 7 of 7

APPROVED	EXTRUSIONS & PARTS
Approved as complying with the Florida Building Code Date: <u>March 21, 2013</u> NOAH# <u>12-2702-03</u> Miami Dade Product Control By: <u>Maurice Lopez</u>	KELVYN WHITFIELD.P.E. 1002 NE 116 ST MIAMI, FL 33161 <u>[Signature]</u> DATE: <u>01/28/13</u> FLORIDA No-24140 MECHANICAL