



MIAMI-DADE COUNTY
PRODUCT CONTROL SECTION
 11805 SW 26 Street, Room 208
 Miami, Florida 33175-2474
 T (786) 315-2590 F (786) 315-2599
www.miamidade.gov/economy

DEPARTMENT OF REGULATORY AND ECONOMIC RESOURCES (RER)
 BOARD AND CODE ADMINISTRATION DIVISION
NOTICE OF ACCEPTANCE (NOA)

Dryvit Systems, Inc.
One Energy Way
West Warwick, RI 02893

SCOPE: This NOA is being issued under the applicable rules and regulations governing the use of construction materials. The documentation submitted has been reviewed and accepted by Miami-Dade County RER-Product Control Section to be used in Miami Dade County and other areas where allowed by the Authority Having Jurisdiction (AHJ).

This NOA shall not be valid after the expiration date stated below. The Miami-Dade County Product Control Section (In Miami Dade County) and/or the AHJ (in areas other than Miami Dade County) reserve the right to have this product or material tested for quality assurance purposes. If this product or material fails to perform in the accepted manner, the manufacturer will incur the expense of such testing and the AHJ may immediately revoke, modify, or suspend the use of such product or material within their jurisdiction. RER reserves the right to revoke this acceptance, if it is determined by Miami-Dade County Product Control Section that this product or material fails to meet the requirements of the applicable building code. This product is approved as described herein, and has been designed to comply with the Florida Building Code, including the High Velocity Hurricane Zone.

DESCRIPTION: Dryvit Outsulation EIF System over 5/8" Plywood Sheathing

APPROVAL DOCUMENT: Drawing No. **OS5PLYLSM**, titled "Dryvit Outsulation System-Large Scale Missile-5 Ply Plywood Substrate", sheets 1 through 3 of 3, prepared by Dryvit Systems, Inc, dated 06/21/2012, signed and sealed by Scott Wolters, P.E., bearing the Miami-Dade County Product Control renewal stamp with the Notice of Acceptance number and expiration date by the Miami-Dade County Product Control Section.

MISSILE IMPACT RATING: Large and Small Missile Impact Resistant

LABELING: Each unit shall bear a permanent label with the manufacturer's name or logo, city, state and following statement: "Miami-Dade County Product Control Approved", unless otherwise noted herein. Each container (bucket or drum) needs to be labeled. Unit is further defined as each roll of reinforcing mesh.

RENEWAL of this NOA shall be considered after a renewal application has been filed and there has been no change in the applicable building code negatively affecting the performance of this product.

TERMINATION of this NOA will occur after the expiration date or if there has been a revision or change in the materials, use, and/or manufacture of the product or process. Misuse of this NOA as an endorsement of any product, for sales, advertising or any other purposes shall automatically terminate this NOA. Failure to comply with any section of this NOA shall be cause for termination and removal of NOA.

ADVERTISEMENT: The NOA number preceded by the words Miami-Dade County, Florida, and followed by the expiration date may be displayed in advertising literature. If any portion of the NOA is displayed, then it shall be done in its entirety.

INSPECTION: A copy of this entire NOA shall be provided to the user by the manufacturer or its distributors and shall be available for inspection at the job site at the request of the Building Official. This NOA **renews NOA # 08-0709.05** and consists of this page 1 and evidence pages E-1 and E-2, as well as approval document mentioned above.

The submitted documentation was reviewed by **Carlos M. Utrera, P.E.**



Utrera
 12/12/2012

NOA No. 12-0703.04
 Expiration Date: August 15, 2017
 Approval Date: December 20, 2012
 Page 1

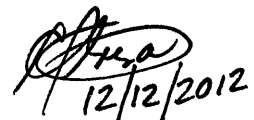
NOTICE OF ACCEPTANCE: EVIDENCE SUBMITTED

A. DRAWINGS

1. Drawing No. **OS5PLYLSM**, titled "Dryvit Outsulation System-Large Scale Missile-5 Ply Plywood Substrate", sheets 1 through 3 of 3, prepared by Dryvit Systems, Inc, dated 06/21/2012, signed and sealed by Scott Wolters, P.E.

B. TESTS "Submitted under NOA # 07-0419.06"

1. Test report on Tensile Bond Test per ASTM C297-04 on 1" thick EPS adhered to ½" Plywood Sheathing with Dryvit ADEPS Adhesive, prepared by Radco, Report No. **RAD-4201**, dated 10/01/2007, signed and sealed by R. F. Tucker, P.E.
2. Test reports on 1) Air Infiltration Test, per FBC, TAS 202-94
2) Uniform Static Air Pressure Test, Loading per FBC TAS 202-94
3) Water Resistance Test, per FBC, TAS 202-94
4) Small Missile Impact Test per FBC, TAS 201-94
5) Cyclic Wind Pressure Loading per FBC, TAS 203-94
along with marked-up drawings and installation diagram of Exterior Insulation & Finish System, prepared by ETC Laboratories, Report # **ETC-06-1059-17955.0**, dated 11/14/2006, signed and sealed by Joseph L. Doldan, P.E.
3. Test report on Tensile Bond Test of Dryvit Primus (P) Mixture to Various Substrates, per ASTM C297, prepared by ETC Laboratories, Test Report No. **ETC-06-1059-8353.1**, dated 12/01/2006, signed by Joseph L. Doldan, P.E.
4. Test report on Tensile Bond Test of EPS Adhered with Dryvit Primus (P) Mixture to Dryvit Backstop NT (BSNT) Over Various Substrates, per ASTM C297, prepared by ETC Laboratories, Test Report No. **ETC-06-1059-18354.1**, dated 12/05/2006, signed by Joseph L. Doldan, P.E.
5. Test report on Tensile Bond Test of Dryvit Genesis DM (GDM) Adhesion to Various Substrates, per ASTM C297, prepared by ETC Laboratories, Test Report No. **ETC-06-1059-18357.1**, dated 12/05/2006, signed by Joseph L. Doldan, P.E.
6. Test reports on 1) Air Infiltration Test, per FBC, TAS 202-94
2) Uniform Static Air Pressure Test, Loading per FBC TAS 202-94
3) Water Resistance Test, per FBC, TAS 202-94
4) Large Missile Impact Test per FBC, TAS 201-94
5) Cyclic Wind Pressure Loading per FBC, TAS 203-94
along with marked-up drawings and installation diagram of Exterior Insulation & Finish System, prepared by ETC Laboratories, Report # **ETC-06-1059-17956.0**, dated 11/14/2006, signed and sealed by Joseph L. Doldan, P.E.



Carlos M. Utrera, P.E.
Product Control Examiner
NOA No. 12-0703.04

Expiration Date: August 15, 2017
Approval Date: December 20, 2012

NOTICE OF ACCEPTANCE: EVIDENCE SUBMITTED

C. CALCULATIONS

1. Plywood sheathing anchorage verification prepared by Wolters Engineering, dated 06/27/2012, signed and sealed by Scott Wolters, P.E.

D. QUALITY ASSURANCE

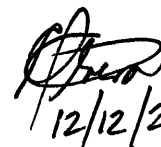
1. Miami-Dade Department of Regulatory and Economic Resources (RER)

E. MATERIAL CERTIFICATIONS

1. None.

F. STATEMENTS

1. Statement letter of code conformance to 2010 FBC issued by Wolters Engineering, dated 06/27/2012, signed and sealed by Scott Wolters, P.E.
2. No financial interest letter issued by Wolters Engineering, dated 06/27/2012, signed and sealed by Scott Wolters, P.E.
3. *“Submitted under NOA # 07-0419.06”*
Statement of compliance issued by ETC Laboratories, dated 11/14/2006, signed and sealed by Joseph L. Doldan, P.E.
4. No financial interest letter issued by Salcone Engineering Associates, Inc., dated 08/17/2007, signed and sealed by Peter M. Salcone, P.E.



12/12/2012

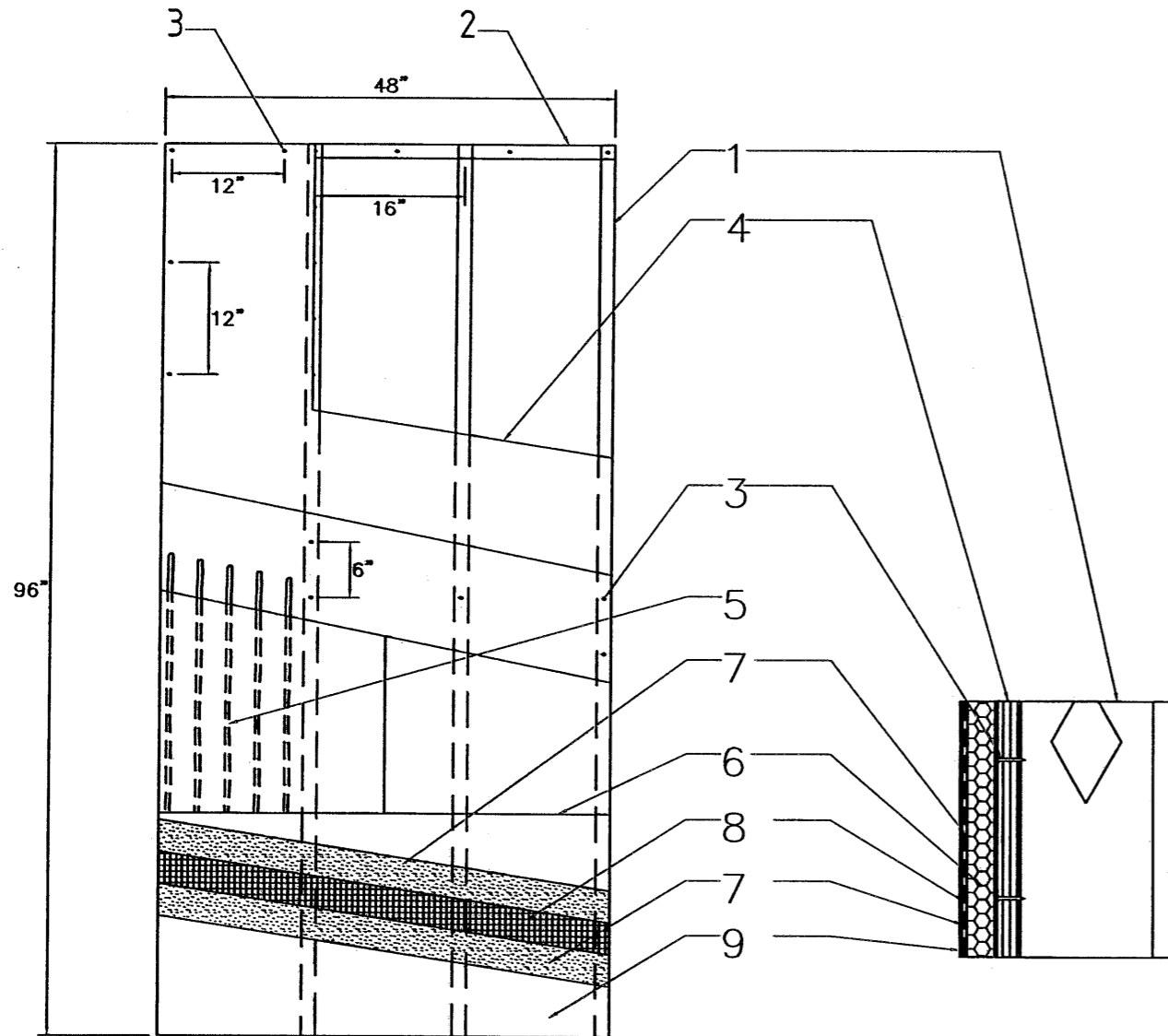
Carlos M. Utrera, P.E.
Product Control Examiner
NOA No. 12-0703.04
Expiration Date: August 15, 2017
Approval Date: December 20, 2012

MATERIAL LIST

- ① 2" x 4" WOOD STUDS OR 3 5/8" X 1 5/8" X 18 GAUGE STEEL STUDS AT 16" O.C.
- ② 3 5/8" X 18 GA. X 4'-0" STEEL TRACK (FOR USE WITH STEEL STUDS ONLY).
- ③ DRYWALL SCREWS AT 6" O.C. AROUND THE PERIMETER AND 12" O.C. ON INTERMEDIATE FRAMING.
- ④ 5/8" 5 PLY PLYWOOD
- ⑤ ADHERE THE EXPANDED POLYSTYRENE (EPS) INSULATION BOARD WITH DRYVIT'S ADEPS ADHESIVE. ADEPS IS A PREMIXED NON-CEMENTITIOUS WATER BASED ACRYLIC COPOLYMER APPLIED WITH A 3/8" X 1/2" NOTCHED TROWEL WITH NOTCHES SPACED A MAXIMUM OF 1 1/2" O.C. THE ADHESIVE SHALL BE APPLIED TO THE BACKSIDE OF THE INSULATION BOARD SO THAT THE BEADS RUN VERTICALLY WHEN THE INSULATION BOARD IS PLACED ON THE WALL.
- ⑥ MINIMUM 1" THICK INSULATION BOARD MEETING DRYVIT SPECIFICATION DS131. INSULATION BOARD SUPPLIER SHALL POSSESS A CURRENT NOA WITH MIAMI DADE COUNTY.
- ⑦ DRYVIT BASE COAT: PRIMUS, GENESIS, OR GENESIS DM; PRIMUS OR GENESIS IS MIXED 1:1 BY WEIGHT WITH PORTLAND CEMENT AND WATER. PRIMUS AND GENESIS ARE ACRYLIC MODIFIED PRODUCTS. GENESIS DM IS A DRY MIX THAT IS MIXED WITH WATER.
- ⑧ DRYVIT'S STANDARD REINFORCING MESH: 4.3 OZ/SQ. YD FIBERGLASS REINFORCING MESH EMBEDDED IN THE DRYVIT BASE COAT. THE STANDARD REINFORCING MESH SHALL BE LAPPED A MINIMUM OF 2 1/2" AT ALL EDGES.
- ⑨ DRYVIT FINISH: A 100 PERCENT ACRYLIC BASED MATERIAL AVAILABLE IN VARIOUS TEXTURES.

GENERAL NOTES


1. THE SYSTEM HAS BEEN DESIGNED IN ACCORDANCE WITH THE LATEST EDITION OF THE FLORIDA BUILDING CODE INCLUDING THE LATEST SUPPLEMENTS.
2. THIS SYSTEM SHALL BE APPLIED BY A LICENSED PLASTERING CONTRACTOR FOLLOWING THIS NOTICE OF ACCEPTANCE THE RECOMMENDATION OF DRYVIT SYSTEMS, INC. AND THE APPLICABLE SECTIONS OF THE FLORIDA BUILDING CODE.
3. THE ENGINEER AND/OR ARCHITECT OF RECORD FOR EACH PROJECT USING THIS SYSTEM SHALL SIZE ALL STUD FRAMING TO ENSURE CONFORMANCE WITH STUD DEFLECTION AND STRESS LIMITATIONS AS REQUIRED BY ALL GOVERNING CODES AND THIS DOCUMENT.
4. INSULATION BOARDS SHALL BE POSITIONED IN A RUNNING BOND PATTERN.
5. ALL STUDS USED WITH THIS SYSTEM SHALL BE COMPLETELY SHEATHED AT THE INTERIOR FLANGE OR BRIDGED AT A MAXIMUM OF EVERY 5' OF STUD LENGTH OR AS SPECIFIED BY THE STUD MANUFACTURER.
6. ALL STEEL STUDS SHALL BE STRUCTURAL WITH 1 5/8" MINIMUM FLANGE WIDTH AND HAVE A MINIMUM YIELD STRENGTH OF 33000 PSI.
7. DETAILS ON SHEETS 2 AND 3 ARE TYPICAL AND SHOW INTENT TO PREVENT WATER INFILTRATION INTO AND BEHIND THIS SYSTEM. ALTERNATE DETAILS AND SPECIFIC CONDITIONS NOT COVERED BY THE TYPICAL DETAILS ARE THE RESPONSIBILITY OF THE LICENSED DESIGN PROFESSIONALS.
8. THE SYSTEM IS NOT TO BE USED ON HORIZONTAL SURFACES EXPOSED TO WEATHER EXCEPT AS A SOFFIT. IT IS INTENDED TO BE USED ON WALL SYSTEMS ONLY.

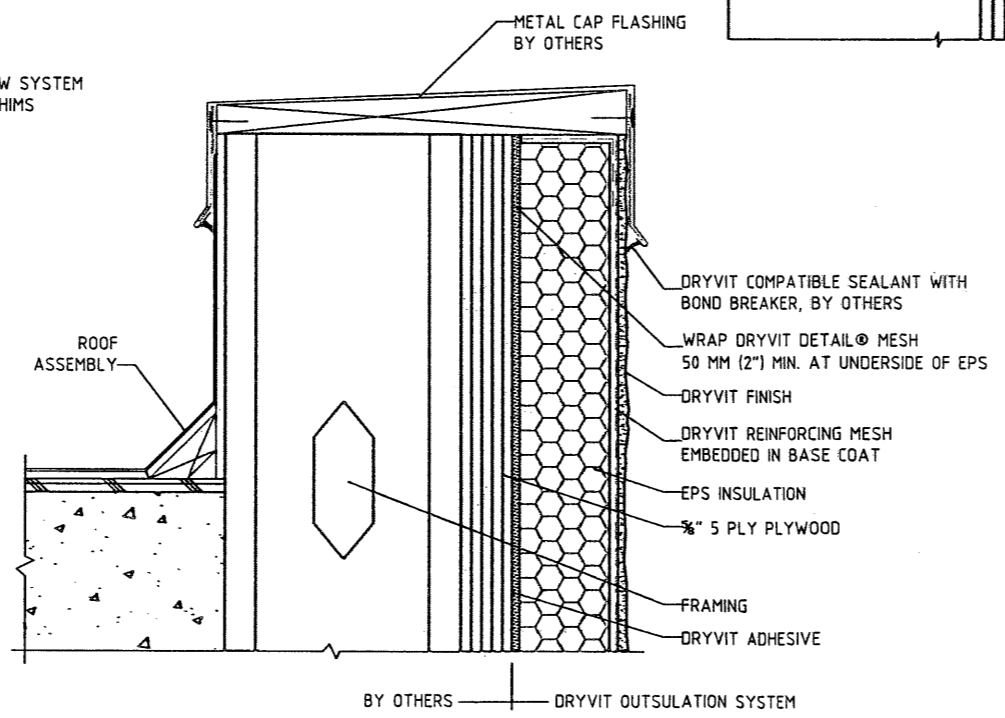
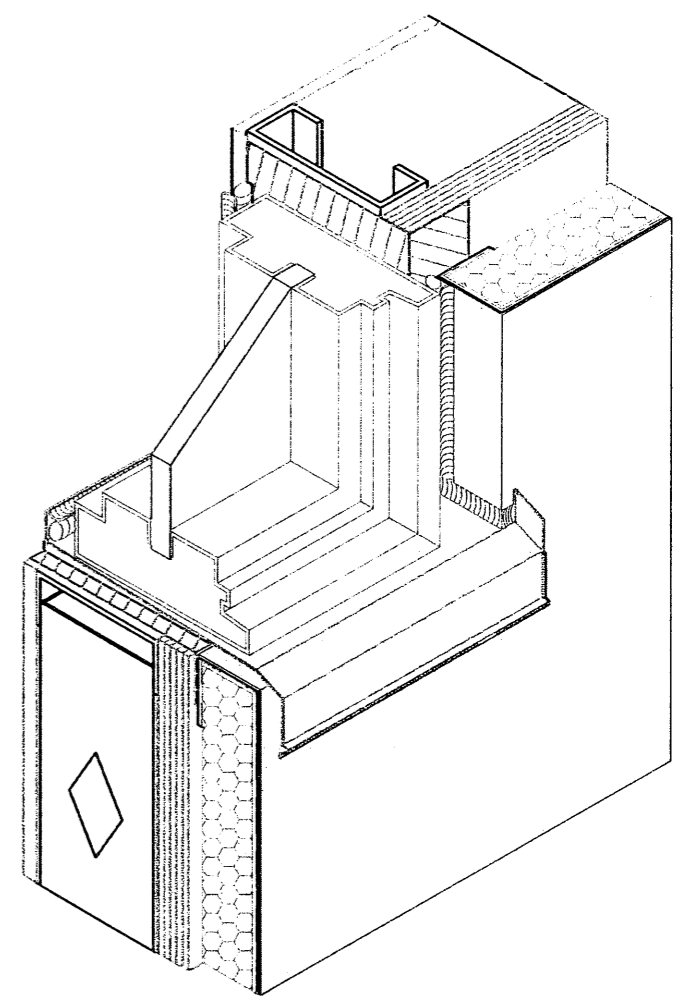
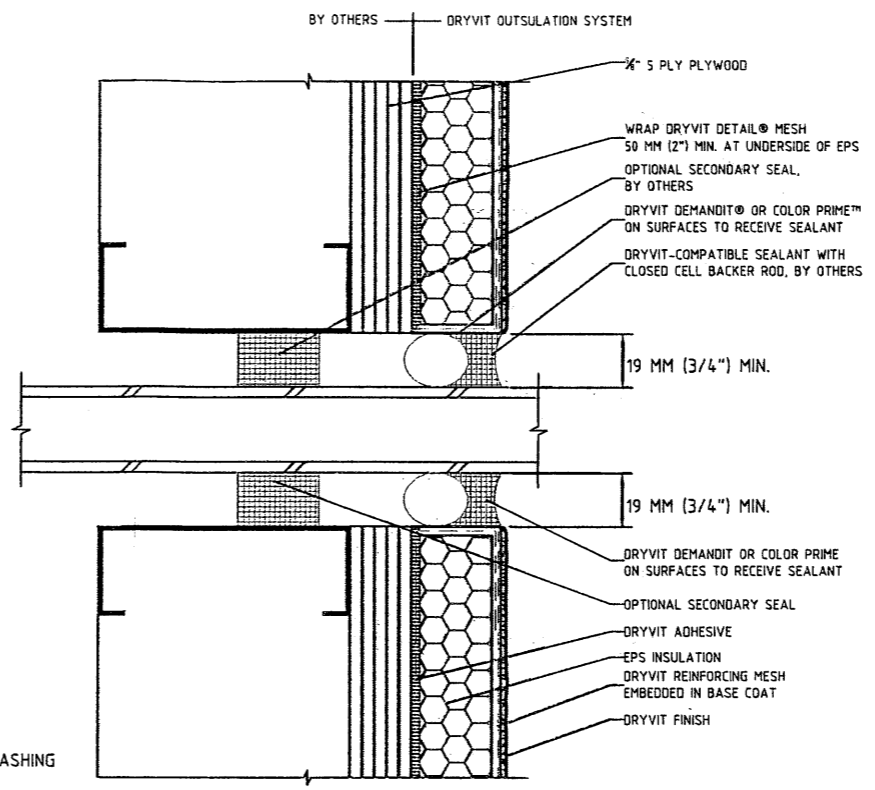
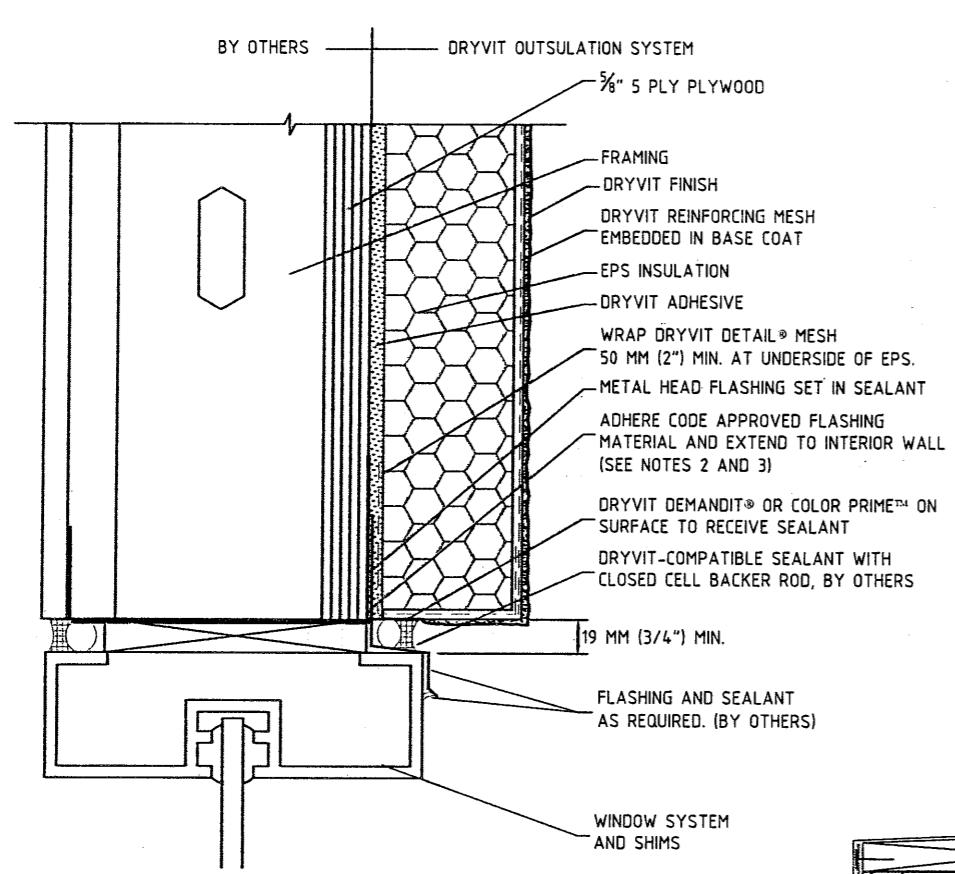


PRODUCT RENEWED
 as complying with the Florida
 Building Code
 Acceptance No 12-0703.04
 Expiration Date 08/15/2017
 By *[Signature]*
 Miami Dade Product Control

SCOTT WOLTERS
 FL PE# 62354
 WOLTERS ENGINEERING
 (COA# 27194)
 5358 SW 32nd TERRACE
 FT. LAUDERDALE, FL 33312
 PH/FAX: (954) 921-5828
 SEAL: *[Signature]*
 OCT 15 2012

DESIGN PRESSURE
 +/- 75.0 PSF


DRYVIT SYSTEMS, INC. 
 One Energy Way
 West Warwick, Rhode Island
 DWG. NO.: OS5PLYLSM
 SHEET NO: 1 OF 3
 ISSUE DATE: 6/21/12
 REV / DATE:
 Dryvit Outsulation System - Large
 Scale Missile - 5 Ply Plywood Substrate

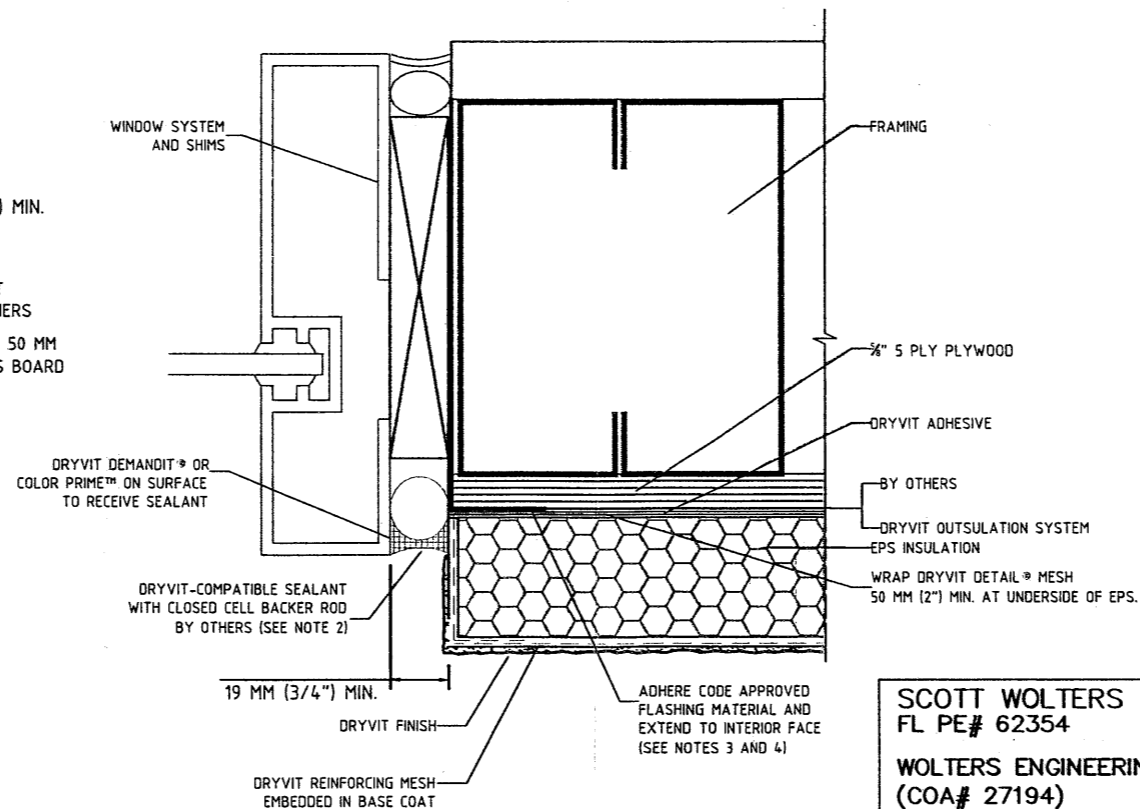
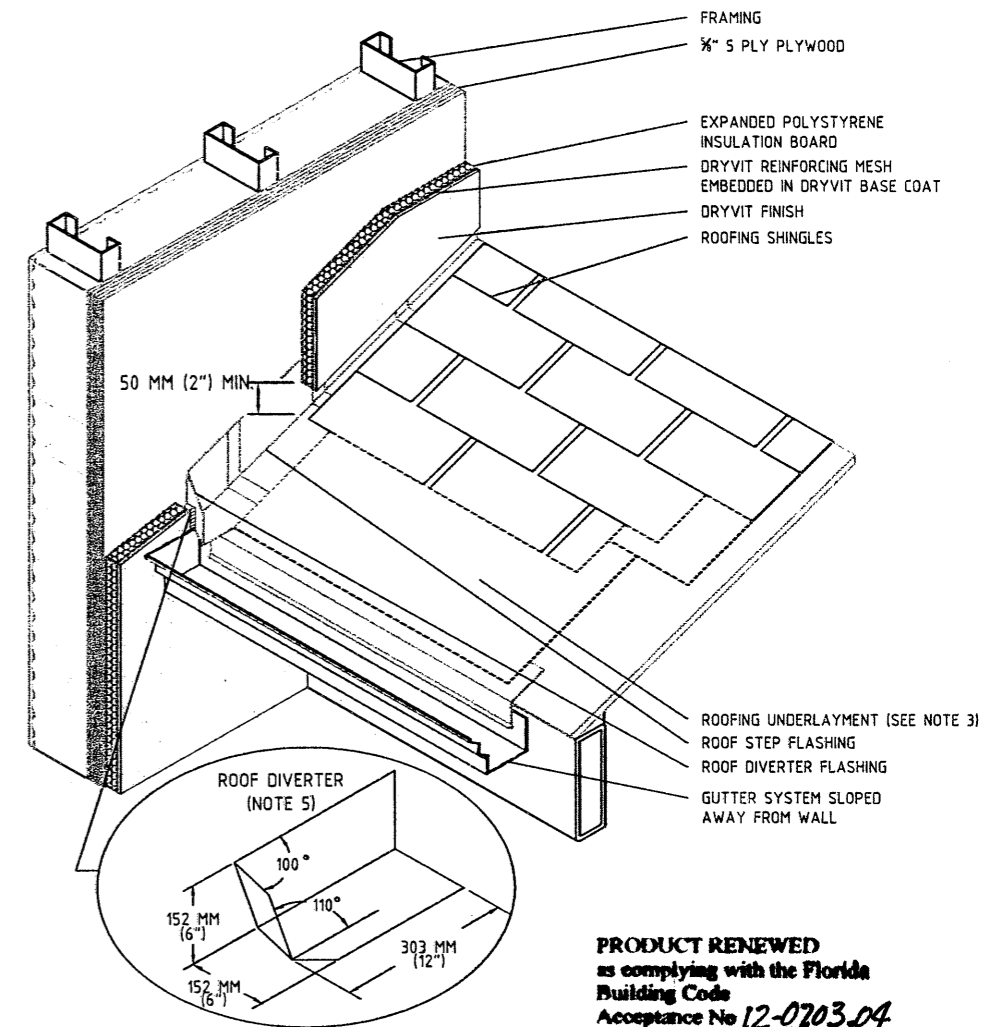
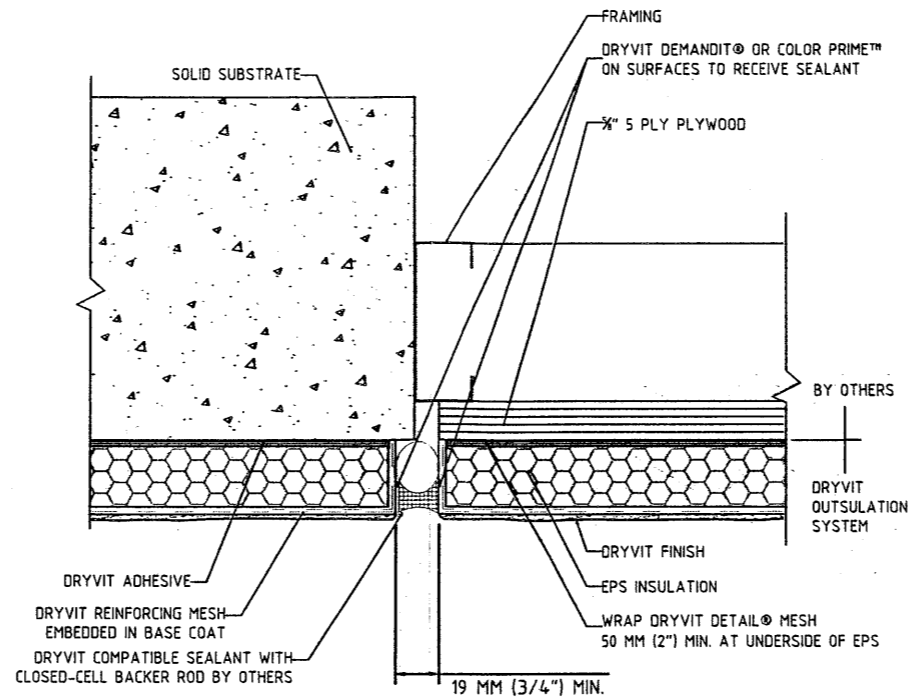
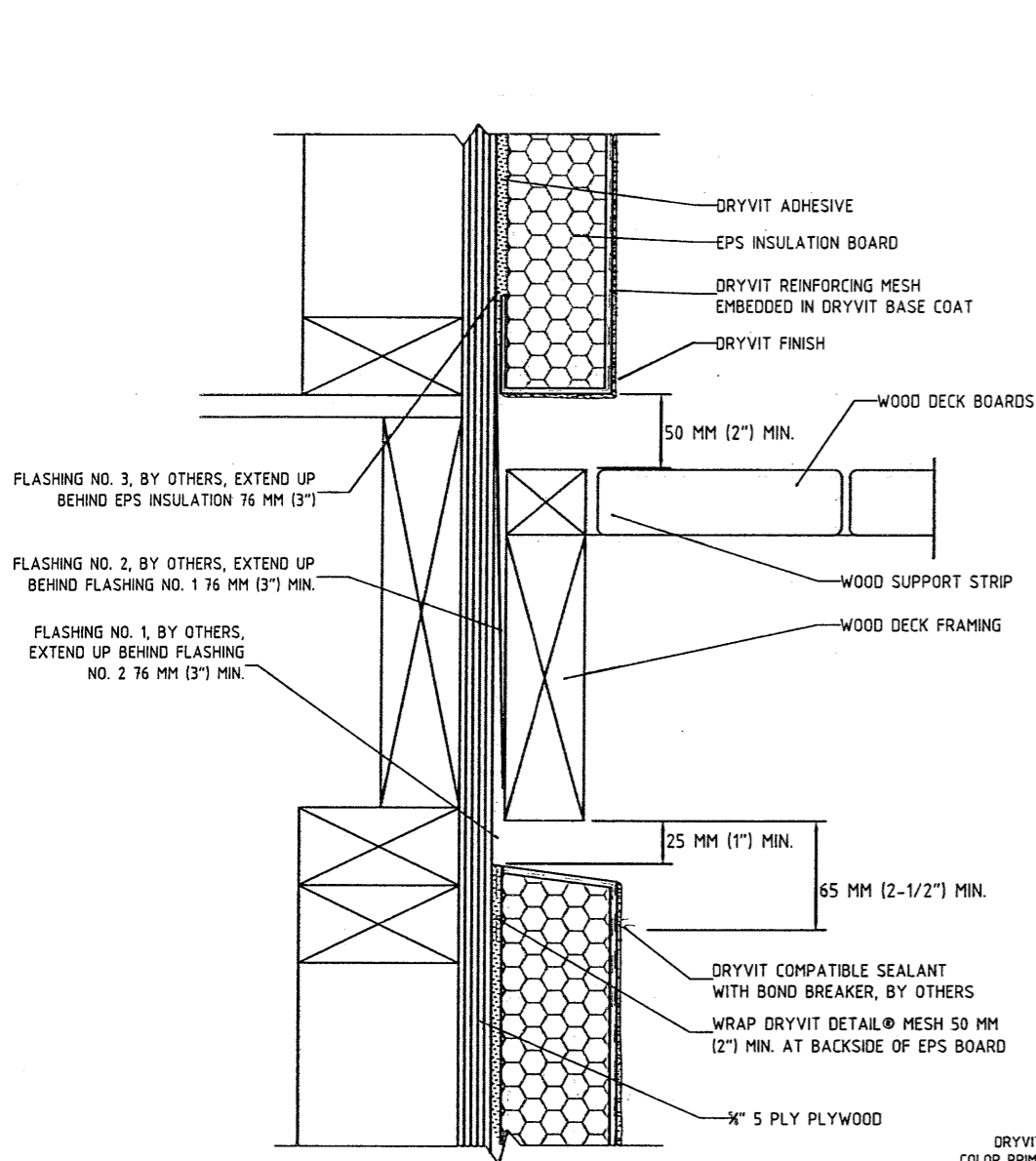


PRODUCT RENEWED
 as complying with the Florida
 Building Code
 Acceptance No 12-0703.04
 Expiration Date 08/15/2017
 By *[Signature]*
 Miami Dade Product Control

DESIGN PRESSURE
 +/- 75.0 PSF

SCOTT WOLTERS
 FL PE# 62354
 WOLTERS ENGINEERING
 (COA# 27194)
 5358 SW 32nd TERRACE
 FT. LAUDERDALE, FL 33312
 PH/FAX: (954) 921-5828
 SEAL *[Signature]*
 OCT 15 2012

DRYVIT SYSTEMS, INC. 
 One Energy Way
 West Warwick, Rhode Island
 DWG. NO.: OS5PLYLSM
 SHEET NO: 2 OF 3
 ISSUE DATE: 6/21/12
 REV / DATE:
 Dryvit Outsulation System - Large
 Scale Missile - 5 Ply Plywood Substrate



- Notes:**
1. Gap wood sheathing edge and end joints in accordance with APA (American Plywood Association) recommendations.
 2. Seal Penetrations through flashing where attached to framing
 3. Distance of EIFS to deck varies with climate. Allow sufficient distance to prevent snow/ice and puddling water against system.
 4. provide end dams where flashings terminate at ends of deck.
 5. Pressure treated wood (space from flashing or rout backside to provide drainage)

PRODUCT RENEWED
 as complying with the Florida
 Building Code
 Acceptance No 12-0703-04
 Expiration Date 08/15/2017
 By *[Signature]*
 Miami Dade Product Control

DESIGN PRESSURE
 +/- 75.0 PSF

SCOTT WOLTERS
 FL PE# 62354
 WOLTERS ENGINEERING
 (COA# 27194)
 5358 SW 32nd TERRACE
 FT. LAUDERDALE, FL 33312
 PH/FAX: (954) 921-5828
 SEAL: *[Signature]*
 OCT 15 2012

DRYVIT SYSTEMS, INC. **dryvit®**
 One Energy Way
 West Warwick, Rhode Island
 DWG. NO.: OS5PLYLSM
 SHEET NO: 3 OF 3
 ISSUE DATE: 6/21/12
 REV / DATE:
 Dryvit Outsulation System - Large
 Scale Missile - 5 Ply Plywood Substrate