



DEPARTMENT OF REGULATORY AND ECONOMIC RESOURCES (RER)  
BOARD AND CODE ADMINISTRATION DIVISION

MIAMI-DADE COUNTY  
PRODUCT CONTROL SECTION  
11805 SW 26 Street, Room 208  
Miami, Florida 33175-2474  
T (786) 315-2590 F (786) 315-2599  
[www.miamidade.gov/pera](http://www.miamidade.gov/pera)

**NOTICE OF ACCEPTANCE (NOA)**

**Ludowici Roof Tile, Inc.**  
4757 Tile Plant Road  
New Lexington, OH 43764

**SCOPE:**

This NOA is being issued under the applicable rules and regulations governing the use of construction materials. The documentation submitted has been reviewed and accepted by Miami-Dade County RER - Product Control Section to be used in Miami Dade County and other areas where allowed by the Authority Having Jurisdiction (AHJ).

This NOA shall not be valid after the expiration date stated below. The Miami-Dade County Product Control Section (In Miami Dade County) and/or the AHJ (in areas other than Miami Dade County) reserve the right to have this product or material tested for quality assurance purposes. If this product or material fails to perform in the accepted manner, the manufacturer will incur the expense of such testing and the AHJ may immediately revoke, modify, or suspend the use of such product or material within their jurisdiction. RER reserves the right to revoke this acceptance, if it is determined by Miami-Dade County Product Control Section that this product or material fails to meet the requirements of the applicable building code.

This product is approved as described herein, and has been designed to comply with the Florida Building Code including the High Velocity Hurricane Zone of the Florida Building Code.

**DESCRIPTION: ‘Spanish’ Clay Roof Tile**

**LABELING:** Each unit shall bear a permanent label with the manufacturer's name or logo, city, state and following statement: "Miami-Dade County Product Control Approved", unless otherwise noted herein.

**RENEWAL** of this NOA shall be considered after a renewal application has been filed and there has been no change in the applicable building code negatively affecting the performance of this product.

**TERMINATION** of this NOA will occur after the expiration date or if there has been a revision or change in the materials, use, and/or manufacture of the product or process. Misuse of this NOA as an endorsement of any product, for sales, advertising or any other purposes shall automatically terminate this NOA. Failure to comply with any section of this NOA shall be cause for termination and removal of NOA.

**ADVERTISEMENT:** The NOA number preceded by the words Miami-Dade County, Florida, and followed by the expiration date may be displayed in advertising literature. If any portion of the NOA is displayed, then it shall be done in its entirety.

**INSPECTION:** A copy of this entire NOA shall be provided to the user by the manufacturer or its distributors and shall be available for inspection at the job site at the request of the Building Official.

This renews NOA# 07-0914.13 and consists of pages 1 through 6.  
The submitted documentation was reviewed by Alex Tigera.



NOA No.: 12-0904.18  
Expiration Date: 01/31/18  
Approval Date: 01/17/13  
Page 1 of 6

## ROOFING ASSEMBLY APPROVAL

**Category:** Roofing  
**Sub-Category:** Roofing Tiles  
**Material:** Clay

### 1. SCOPE

This approves a roofing system using Ludowici ‘Spanish’ Clay Roof Tile, as manufactured Ludowici Roof Tile, Inc. and described in Section 2 of this Notice of Acceptance. For locations where the pressure requirements, as determined by applicable Building Code does not exceed the design pressure values obtained by calculations in compliance with RAS 127 using the values listed in section 4 herein. The attachment calculations shall be done as a moment based system.

### 2. PRODUCT DESCRIPTION

<u>Manufactured by Applicant</u>	<u>Dimensions</u>	<u>Test Specifications</u>	<u>Product Description</u>
Ludowici Spanish Roof Tile		ASTM C 1167	High profile, interlocking, one piece, ‘S’ shaped, vitrified clay roof tile equipped with two nail holes. For direct deck or battened, nail-on, mortar set or adhesive set applications.
Trim Pieces	l = varies w = varies varying thickness	ASTM C 1167	Accessory trim, clay roof pieces for use at hips, rakes, ridges and valley terminations. Manufactured for each tile profile.

#### 2.1 PRODUCT DESCRIPTION

1. New Lexington, OH.

#### 2.2 SUBMITTED EVIDENCE:

<u>Test Agency</u>	<u>Test Identifier</u>	<u>Test Name/Report</u>	<u>Date</u>
IBA Consultants, Inc. The Center for Applied Engineering, Inc.	2376-282	ASTM C 1167	Sept 2007
	94-083	Static Uplift Testing	April 1994
	94-084	PA 101 (Adhesive Set) (Mortar Set)	May 1994
The Center for Applied Engineering, Inc.	Project No. 307025 Test #MDC-77	Wind Driven Rain	Oct. 1994
		PA 100	
The Center for Applied Engineering, Inc.	25-7200-1	Static Uplift Testing	Feb. 1995
		PA 102 (Screws, Battens)	
Redland Technologies	7161-03 Appendix II	Wind Tunnel Testing	Dec. 1991
		PA 108 (Nail-On)	
Redland Technologies	7161-03 Appendix III	Static Uplift Testing	Dec. 1991
Redland Technologies	P0402	PA 102 & 102(A)	
Redland Technologies	Letter Dated Aug. 1, 1994	Withdrawal Resistance Testing of screw vs. smooth shank nails	Sept. 1993
		Wind Tunnel Testing	Aug. 1994
		PA 108 (Nail-On)	



NOA No.: 12-0904.18  
 Expiration Date: 01/31/18  
 Approval Date: 01/17/13  
 Page 2 of 6

**2.2 SUBMITTED EVIDENCE:**

<u>Test Agency</u>	<u>Test Identifier</u>	<u>Test Name/Report</u>	<u>Date</u>
Redland Technologies	P0647-01	Wind Tunnel Testing PA 108 (Mortar Set)	Aug. 1994
Celotex Corporation	520111-3	Static Uplift Testing	Dec. 1998
Testing Services	520191-2-1	PA 101	March 1999
Walker Engineering, Inc.	Calculations	Aerodynamic Multiplier	March 1999
Walker Engineering, Inc.	Calculations	25-7094	February 1996
		25-7496	April 1996
Walker Engineering, Inc.	Calculations	25-7584	December 1996
		25-7804b-8	
		25-7804-4 & 5	
		25-7848-6	
Walker Engineering, Inc.	Calculations	25-7183	March 1995
Walker Engineering, Inc.	Calculations	Two Patty Adhesive Set System	April 1999

**3. LIMITATIONS**

- 3.1 Fire classification is not part of this acceptance.
- 3.2 For mortar or adhesive set tile applications, a static field uplift test shall be performed in accordance with TAS 106.
- 3.3 Applicant shall retain the services of a Miami-Dade County Certified Laboratory to perform quarterly test in accordance with TAS 112, appendix ‘A’. Such testing shall be submitted to the Building Code Compliance Office for review.
- 3.4 Minimum underlayment shall be in compliance with the applicable Roofing Applications Standards listed section 4.1 herein.
- 3.5 30/90 hot mopped underlayment applications may be installed perpendicular to the roof slope unless stated otherwise by the underlayment material manufacturers published literature.
- 3.6 This acceptance is for wood deck applications. Minimum deck requirements shall be in compliance with applicable building code.

**4. INSTALLATION**

- 4.1 Ludowici ‘Spanish’ Clay Roof Tile and its components shall be installed in strict compliance with Roofing Application Standard RAS 118, RAS 119 and RAS 120.
- 4.2 Data For Attachment Calculations

Tile Profile	Weight-W (lbf)	Length-l (ft)	Width-w (ft)
Ludowici Spanish Tile	5.00	1.10	0.81
Ludowici Spanish Tile	7.02	1.50	0.81

Tile Profile	λ (ft <sup>3</sup> ) Batten Application	λ (ft <sup>3</sup> ) Direct Deck Application
Ludowici Spanish Tile	0.228	0.247



<b>Table 3: Restoring Moments due to Gravity - <math>M_g</math> (ft-lbf)</b>										
<b>Tile Profile</b>	<b>3":12"</b>		<b>4":12"</b>		<b>5":12"</b>		<b>6":12"</b>		<b>7":12" or greater</b>	
	Battens	Direct Deck	Battens	Direct Deck	Battens	Direct Deck	Battens	Direct Deck	Battens	Direct Deck
Ludowici Spanish Tile	2.51	2.73	2.48	2.70	2.42	2.63	2.36	2.57	2.90	2.50

<b>Table 4: Attachment Resistance Expressed as a Moment - <math>M_f</math> (ft-lbf) for Nail-On Systems</b>				
<b>Tile Profile</b>	<b>Fastener Type</b>	<b>Direct Deck (min 15/32" plywood)</b>	<b>Direct Deck (min. 19/32" plywood)</b>	<b>Battens</b>
Ludowici Spanish Tile	2-10d Ring Shank Nails	28.6	41.2	19.4
	1-10d Smooth or Screw Shank Nail	5.1	6.8	2.8
	2-10d Smooth or Screw Shank Nails	6.9	9.2	7.3
	1 .#8 Screw	20.7	20.7	18.1
	2 .#8 Screws	43.2	43.2	29.8
	1-10d Smooth or Screw Shank Nail (Field Clip)	23.1	23.1	19.0
	1-10d Smooth or Screw Shank Nail (Eave Clip)	29.3	29.3	24.0
	2-10d Smooth or Screw Shank Nails (Field Clip)	27.6	27.6	38.6
	2-10d Smooth or Screw Shank Nails (Eave Clip)	38.1	38.1	41.8
	2-10d Ring Shank Nails <sup>1</sup>	33.1	48.1	45.2

<sup>1</sup> Installation with a 4" tile headlap and fasteners are located a min. of 2½" from head of tile.

<b>Table 6: Attachment Resistance Expressed as a Moment <math>M_f</math> (ft-lbf) for Two Patty Adhesive Set Systems</b>		
<b>Tile Profile</b>	<b>Tile Application</b>	<b>Minimum Attachment Resistance</b>
Ludowici Spanish Tile	Adhesive	29.3 <sup>3</sup>

<sup>2</sup> See manufactures component approval for installation requirements.  
<sup>3</sup> Flexible Products Company TileBond Average weight per patty 10.7 grams.  
3M™ 2-Component Foam Roof Tile Adhesive AH-160 Average weight per patty 8 grams.



Table 7: Attachment Resistance Expressed as a Moment - $M_f$ (ft-lbf) for Single Paddy Adhesive Set Systems		
Tile Profile	Tile Application	Minimum Attachment Resistance
Ludowici Spanish Tile	3M™ 2-Component Foam Roof Tile Adhesive AH-160	66.5 <sup>4</sup>
	3M™ 2-Component Foam Roof Tile Adhesive AH-160	38.7 <sup>5</sup>
4 Large paddy placement of 63grams of AH-160		
5 Medium paddy placement of 24grams of AH-160		

Table 8: Attachment Resistance Expressed as a Moment - $M_f$ (ft-lbf) for Mortar Set Systems		
Tile Profile	Tile Application	Attachment Resistance
Ludowici Spanish Tile	Mortar Set	24.5

## 5. LABELING

All tiles shall bear the imprint or identifiable marking of the manufacturer's name or logo (See **Detail Below**), or following statement: "Miami-Dade County Product Control Approved".

# LUDOWICI ASTM C1167 GRADE I

IDENTIFICATION MARK FOR SPANISH CLAY ROOF TILE  
(LOCATED ON UNDERSIDE OF TILE)

## 6. BUILDING PERMIT REQUIREMENTS

6.1 Application for building permit shall be accompanied by copies of the following:

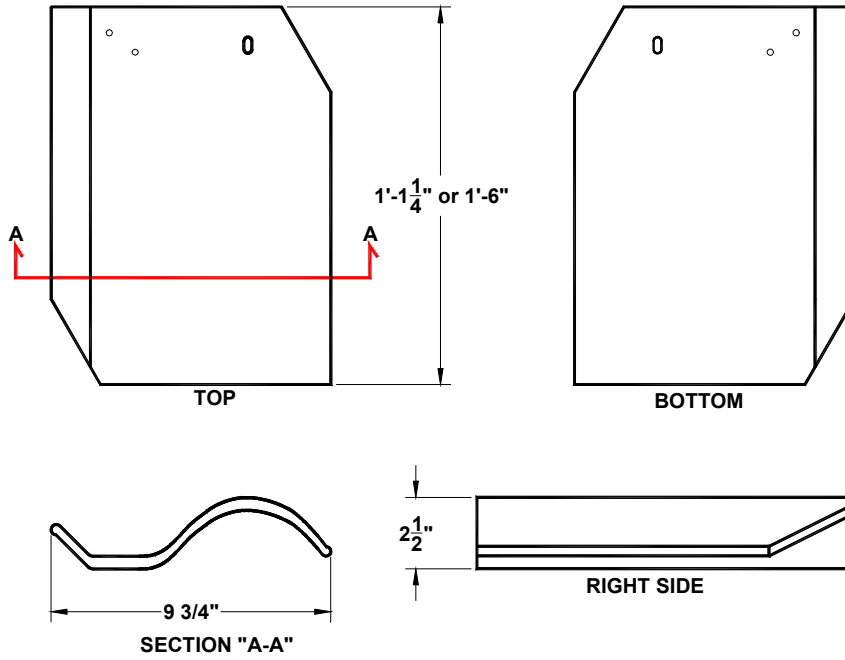
6.1.1 This Notice of Acceptance.

6.1.2 Any other documents required by the Building Official or applicable building code in order to properly evaluate the installation of this system.



NOA No.: 12-0904.18  
 Expiration Date: 01/31/18  
 Approval Date: 01/17/13  
 Page 5 of 6

# PROFILE DRAWINGS



## LUDOWICI SPANISH TILE END OF THIS ACCEPTANCE

