



DEPARTMENT OF REGULATORY AND ECONOMIC RESOURCES (RER)  
BOARD AND CODE ADMINISTRATION DIVISION

MIAMI-DADE COUNTY  
PRODUCT CONTROL SECTION  
11805 SW 26 Street, Room 208  
Miami, Florida 33175-2474  
T (786) 315-2590 F (786) 315-2599

[www.miamidade.gov/economy](http://www.miamidade.gov/economy)

**NOTICE OF ACCEPTANCE (NOA)**

**Birdview Skylights,  
D.B.A. Guy E. Bird Enterprises, LTD  
201 Longhorn Road  
Ft. Worth, TX 76179**

**SCOPE:**

This NOA is being issued under the applicable rules and regulations governing the use of construction materials. The documentation submitted has been reviewed and accepted by Miami-Dade County RER- Product Control Section to be used in Miami Dade County and other areas where allowed by the Authority Having Jurisdiction (AHJ).

This NOA shall not be valid after the expiration date stated below. The Miami-Dade County Product Control Section (In Miami Dade County) and/or the AHJ (in areas other than Miami Dade County) reserve the right to have this product or material tested for quality assurance purposes. If this product or material fails to perform in the accepted manner, the manufacturer will incur the expense of such testing and the AHJ may immediately revoke, modify, or suspend the use of such product or material within their jurisdiction. RER reserves the right to revoke this acceptance, if it is determined by Miami-Dade County Product Control Section that this product or material fails to meet the requirements of the applicable building code.

This product is approved as described herein, and has been designed to comply with the High Velocity Hurricane Zone of the Florida Building Code.

**DESCRIPTION: CMDADE Skylight**

**APPROVAL DOCUMENT:** Drawing No. CMDADE08, titled "Large Missile Impact Resistant", prepared by E. Bird, sheet 1 of 1, dated July 11, 2007, with no revision, signed and sealed by Scott Wolters, P.E., on October 31, 2011, bearing the Miami-Dade County Product Control renewal stamp with the Notice of Acceptance number and the expiration date by the Miami-Dade County Product Control Section.

**MISSILE IMPACT RATING: Large and Small Missile Impact Resistant**

**LABELING:** Each unit shall bear a permanent label with the manufacturer's name or logo, city, state and the following statement: "Miami-Dade County Product Control Approved or MDCPCA", unless otherwise noted herein.

**RENEWAL** of this NOA shall be considered after a renewal application has been filed and there has been no change in the applicable building code negatively affecting the performance of this product.

**TERMINATION** of this NOA will occur after the expiration date or if there has been a revision or change in the materials, use, and/or manufacture of the product or process. Misuse of this NOA as an endorsement of any product, for sales, advertising or any other purposes shall automatically terminate this NOA. Failure to comply with any section of this NOA shall be cause for termination and removal of NOA.

**ADVERTISEMENT:** The NOA number preceded by the words Miami-Dade County, Florida, and followed by the expiration date may be displayed in advertising literature. If any portion of the NOA is displayed, then it shall be done in its entirety.

**INSPECTION:** A copy of this entire NOA shall be provided to the user by the manufacturer or its distributors and shall be available for inspection at the job site at the request of the Building Official.

This NOA **renews NOA # 11-0811.09** and consists of this page 1, evidence submitted pages E-1, E-2, & E-3, as well as approval document mentioned above.

The submitted documentation was reviewed by **Helmy A. Makar, P.E., M.S.**



*Helmy A. Makar*  
01/17/2013

NOA No. 12-1126.11  
Expiration Date: 01/07/2018  
Approval Date: 01/17/2013

**NOTICE OF ACCEPTANCE: EVIDENCE SUBMITTED**

**1. EVIDENCE SUBMITTED UNDER PREVIOUS APPROVAL # 08-0117.02**

**A. DRAWING**

1. *Drawing No. CMDADE, titled "Birdview Skylights", prepared by Birdview Skylights., sheet 1 of 1, dated 06/28/99, with no revision, signed and sealed by Scott Wolters, P.E.*

**B. TEST**

1. *Test reports on 1) Air Infiltration Test, per FBC, TAS 202-94  
2) Uniform Static Air Pressure Test, Loading per FBC TAS 202-94  
3) Water Resistance Test, per FBC, TAS 202-94  
4) Large Missile Impact Test per FBC, TAS 201-94  
5) Cyclic Wind Pressure Loading per FBC, TAS 203-94  
along with marked-up drawings and installation of the Birdview Skylights, prepared by Hurricane Test Laboratory, LLC, and Test Report No. T180-0702-07, dated 08/22/07, signed and sealed by Vinu J. Abraham, P.E.*

**C. CALCULATIONS**

1. *Anchor calculations prepared by Wolters Engineering, Inc. dated 12/18/07, signed and sealed by Scott Wolters, P.E.*

**D. QUALITY ASSURANCE**

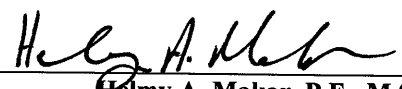
1. *Miami Dade Building Code Compliance Office (BCCO).*

**E. MATERIAL CERTIFICATION**

1. *None.*

**F. STATEMENTS**

1. *Test Compliance and no financial interest statement issued by Hurricane Test Laboratory, LLC, dated 08/22/07, signed and sealed by Vinu J. Abraham, P.E.*
2. *Code compliance letter issued by Wolters Engineering, Inc. dated 01/04/08, signed and sealed by Scott Wolters, P.E.*
3. *No financial interest letter issued by Wolters Engineering, Inc. dated 01/04/08, signed and sealed by Scott Wolters, P.E.*



Helmy A. Makar, P.E., M.S.  
Product Control Unit Supervisor  
NOA No. 12-1126.11  
Expiration Date: 01/07/2018  
Approval Date: 01/17/2013

**NOTICE OF ACCEPTANCE: EVIDENCE SUBMITTED**

**2. EVIDENCE SUBMITTED UNDER PREVIOUS APPROVAL # 11-0811.09**

**A. DRAWING**

1. *Drawing No. CMDADE08, titled "Large Missile Impact Resistant", prepared by E. Bird, sheet 1 of 1, dated July 11, 2007, with no revision, signed and sealed by Scott Wolters, P.E., on October 31, 2011.*

**B. TEST**

1. *None.*

**C. CALCULATIONS**

1. *None.*

**D. QUALITY ASSURANCE**

1. *By Miami-Dade County Department of Permitting, Environment, and Regulatory Affairs.*

**E. MATERIAL CERTIFICATION**

1. *None.*

**F. STATEMENTS**

1. *Code compliance letter issued by Wolters Engineering, dated October 31, 2011, signed and sealed by Scott Wolters, P.E.*
2. *Certificate of Filing with the State of Texas, dated August 09, 2011, signed by Hope Andrade, Secretary of State.*

**3. NEW EVIDENCE SUBMITTED**

**A. DRAWING**

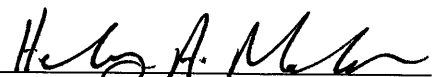
1. *Drawing No. CMDADE08, titled "Large Missile Impact Resistant", prepared by E. Bird, sheet 1 of 1, dated July 11, 2007, with no revision, signed and sealed by Scott Wolters, P.E., on October 31, 2011.*

**B. TEST**

1. *None.*

**C. CALCULATIONS**

1. *None.*



**Helmy A. Makar, P.E., M.S.**  
**Product Control Unit Supervisor**  
**NOA No. 12-1126.11**  
**Expiration Date: 01/07/2018**  
**Approval Date: 01/17/2013**

**NOTICE OF ACCEPTANCE: EVIDENCE SUBMITTED**

**D. QUALITY ASSURANCE**

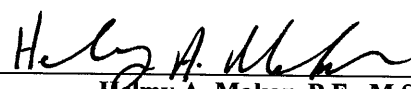
1. *By Miami-Dade County Department of Regulatory and Economic Resources.*

**E. MATERIAL CERTIFICATION**

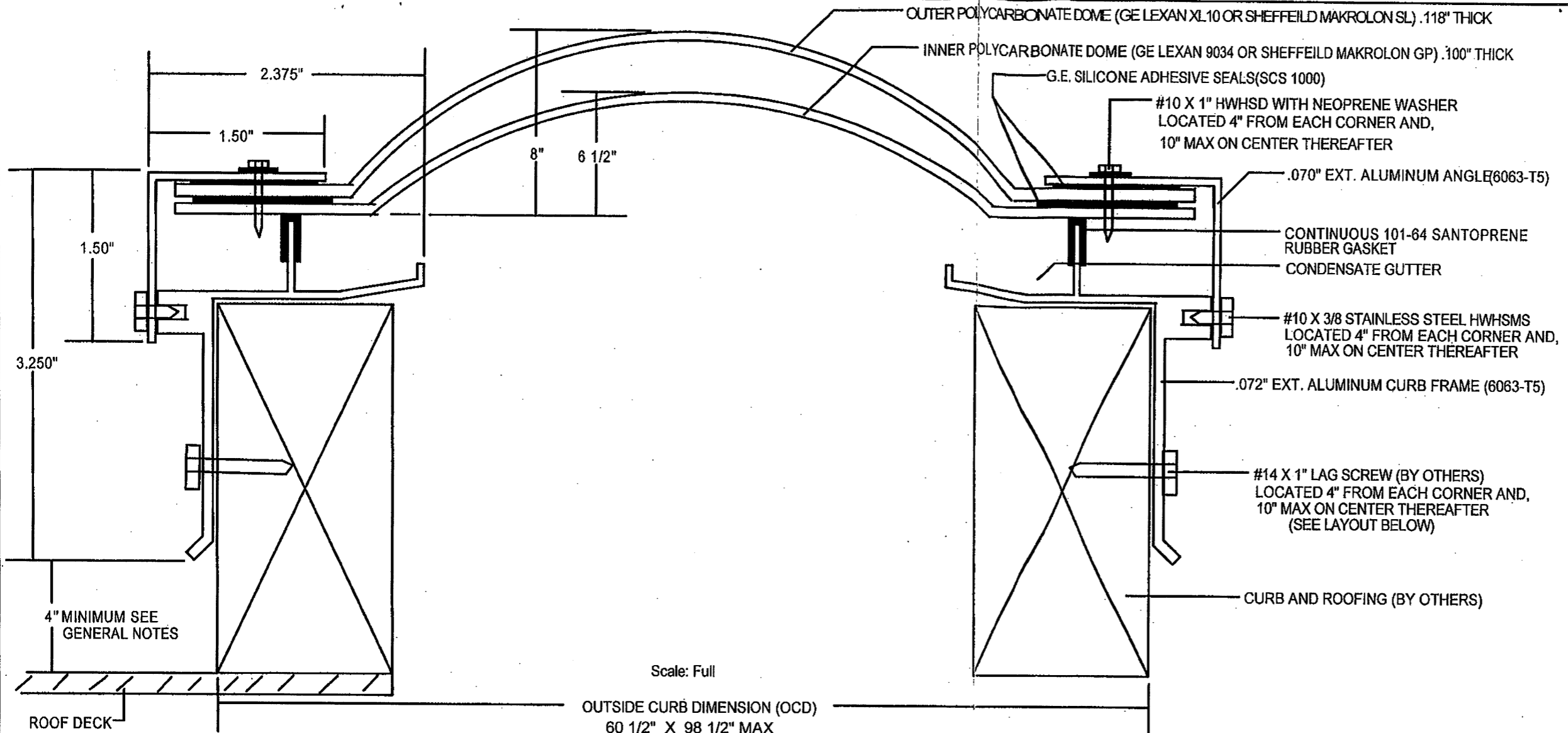
1. *None.*

**F. STATEMENTS**

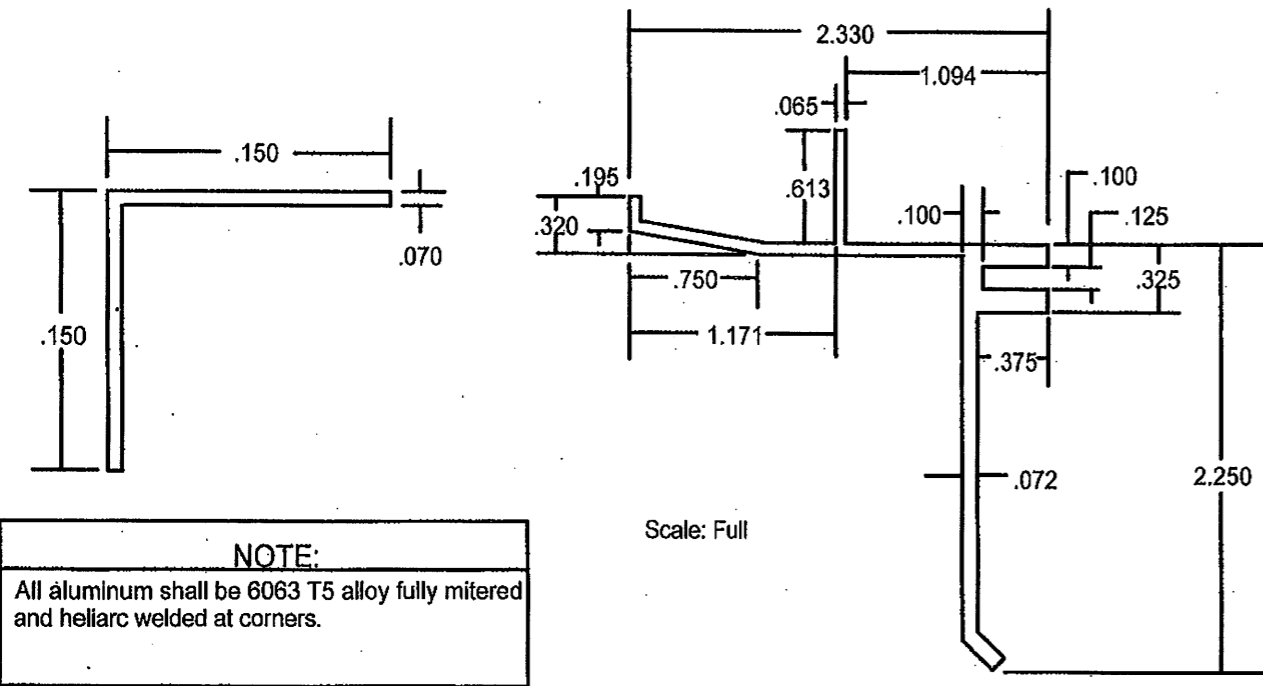
1. *FBC 2010 Code compliance letter issued by Wolters Engineering, dated November 19, 2012, signed and sealed by Scott Wolters, P.E.*



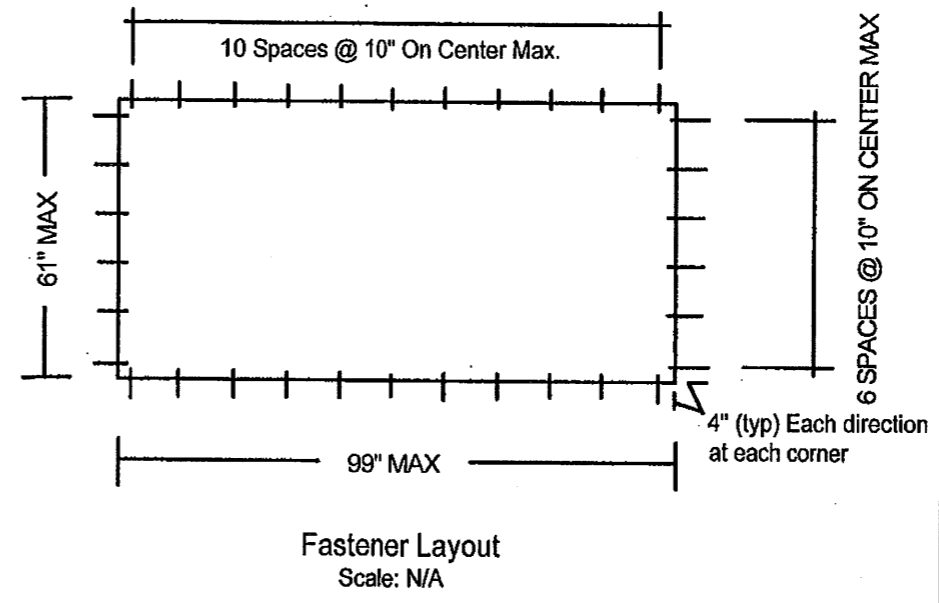
**Helmy A. Makar, P.E., M.S.**  
**Product Control Unit Supervisor**  
**NOA No. 12-1126.11**  
**Expiration Date: 01/07/2018**  
**Approval Date: 01/17/2013**



Scale: Full  
 OUTSIDE CURB DIMENSION (OCD)  
 60 1/2" X 98 1/2" MAX



Scale: Full



Fastener Layout  
 Scale: N/A

**BIRDVIEW SKYLIGHTS**  
 a DBA of Guy E Bird Enterprises, Ltd.  
 201 LONGHORN RD. FT. WORTH TX. 76179  
 Ph. 817-439-9266 Fx. 817-232-8468

DRAWING# CMDADE08 SHEET 1 OF 1

DRAWN BY: E. BIRD

DATE: 07/11/2007 SCALE: FULL and NOTED

DESIGN PRESSURES  
 Positive + 60psf Negative - 100psf

LARGE MISSILE IMPACT RESISTANT

*Scott Wolters*  
 SCOTT WOLTERS  
 FL PE# 62354  
 WOLTERS ENGINEERING  
 (COA# 27194)  
 1271 GRANT STREET  
 HOLLYWOOD, FL 33019  
 PH/FAX: (954) 921-5828  
 10-31-11

GENERAL NOTES

- 4" CLEAR MINIMUM REQUIREMENT FOR SHINGLE & BUR WITHOUT INSULATION FOR INSULATION AND TILES ADD THE INSULATION THICKNESS AND THE TILE HEIGHT TO 4".
- WEEP HOLES ARE NOT REQUIRED
- THE CURB (BY OTHERS) SHALL BE PROPERLY DESIGNED AND ANCHORED TO THE STRUCTURE AND / ON TRUSSES

PRODUCT RENEWED  
 as complying with the Florida  
 Building Code  
 Acceptance No 12-1126.11  
 Expiration Date 01/07/2018  
 By *Helmut A. Weber*  
 Miami Dade Product Control

PRODUCT REVISED  
 as complying with the Florida  
 Building Code  
 Acceptance No 11-0811.09  
 Expiration Date 01/07/2013  
 By *Helmut A. Weber*  
 Miami Dade Product Control