



DEPARTMENT OF REGULATORY AND ECONOMIC RESOURCES (RER)
BOARD AND CODE ADMINISTRATION DIVISION

MIAMI-DADE COUNTY
PRODUCT CONTROL SECTION
11805 SW 26 Street, Room 208
Miami, Florida 33175-2474
T (786) 315-2590 F (786) 315-2599
www.miamidade.gov/economy

NOTICE OF ACCEPTANCE (NOA)

Centria, Inc.
1005 Beaver Grade Road
Moon Township, PA. 15108

SCOPE:

This NOA is being issued under the applicable rules and regulations governing the use of construction materials. The documentation submitted has been reviewed and accepted by Miami-Dade County RER - Product Control Section to be used in Miami Dade County and other areas where allowed by the Authority Having Jurisdiction (AHJ).

This NOA shall not be valid after the expiration date stated below. The Miami-Dade County Product Control Section (In Miami Dade County) and/or the AHJ (in areas other than Miami Dade County) reserve the right to have this product or material tested for quality assurance purposes. If this product or material fails to perform in the accepted manner, the manufacturer will incur the expense of such testing and the AHJ may immediately revoke, modify, or suspend the use of such product or material within their jurisdiction. RER reserves the right to revoke this acceptance, if it is determined by Miami-Dade County Product Control Section that this product or material fails to meet the requirements of the applicable building code.

This product is approved as described herein, and has been designed to comply with the Florida Building Code including the High Velocity Hurricane Zone of the Florida Building Code.

DESCRIPTION: SRS3 – 1.5 Galvanized Steel Roof Panel

LABELING: Each unit shall bear a permanent label with the manufacturer's name or logo, city, state and following statement: "Miami-Dade County Product Control Approved", unless otherwise noted herein.

RENEWAL of this NOA shall be considered after a renewal application has been filed and there has been no change in the applicable building code negatively affecting the performance of this product.

TERMINATION of this NOA will occur after the expiration date or if there has been a revision or change in the materials, use, and/or manufacture of the product or process. Misuse of this NOA as an endorsement of any product, for sales, advertising or any other purposes shall automatically terminate this NOA. Failure to comply with any section of this NOA shall be cause for termination and removal of NOA.

ADVERTISEMENT: The NOA number preceded by the words Miami-Dade County, Florida, and followed by the expiration date may be displayed in advertising literature. If any portion of the NOA is displayed, then it shall be done in its entirety.

INSPECTION: A copy of this entire NOA shall be provided to the user by the manufacturer or its distributors and shall be available for inspection at the job site at the request of the Building Official.

This NOA consists of pages 1 through 6.
The submitted documentation was reviewed by Alex Tigera.



NOA No.: 12-1203.08
Expiration Date: 09/26/18
Approval Date: 09/26/13
Page 1 of 6

ROOFING ASSEMBLY APPROVAL:

Category: Roofing
Sub-Category: Non-Structural Metal Roofing
Material: Steel
Deck Type: Steel
Maximum Design Pressure See Table A

TRADE NAMES OF PRODUCTS MANUFACTURED OR LABELED BY APPLICANT:

<u>Product</u>	<u>Dimensions</u>	<u>Test Specifications</u>	<u>Product Description</u>
SRS3-1.5 Panels	length = various width = 18" height = 2-3/4" 20 ga. thick Min. Yield Strength: 52ksi.	TAS 110 & TAS 125	Preformed, standing seam, coated, prefinished, steel panels.
SRS3 Batten	length = various width = 1-1/4" height = 9/16" 20 ga. thick	TAS 125	Cap strips for seams. Batten contains two strips of factory applied butyl sealant.
3G1P Clip	length = 4-1/4" width = 1" height = 3-3/8" 20 ga. thick	TAS 125	Galvanized Steel clips for use with SRS3-1.5 metal panels.
Bearing Plate	length = 4" width = 4" 16 ga. thick	TAS 125	Bearing Plate for use with SG1P clip and SRS3-1.5 metal panels.
Trim Pieces	l = varies w = varies	TAS 110	Coated steel trim pieces.

MANUFACTURING LOCATION:

1. Frankfort, KY.

EVIDENCE SUBMITTED:

<u>Test Agency</u>	<u>Test Identifier</u>	<u>Test Name/Report</u>	<u>Date</u>
Chemical Dynamics LLC	Various	Salt Spray, ASTM B117	2007
	Various	Accelerated Weathering, ASTM G23	2007
Farabaugh Engineering and Testing Inc.	T121-13	TAS 100	04/16/13
	T157-13	TAS 125	08/16/13



NOA No.: 12-1203.08
 Expiration Date: 09/26/18
 Approval Date: 09/26/13
 Page 2 of 6

APPROVED ASSEMBLIES:

System: SRS3-1.5 Galvanized Steel Roofing Panels
Deck Type: Steel, Insulated
Deck Description: Metal roof deck 20 MSG grade A. coated steel. Panel continuous over two or more spans without endlaps.
Slope Range: 2": 12" or greater
Maximum Uplift Pressure: See Table A below

Deck Attachment: Minimum 20 gage steel deck shall be secured 6" o.c. to structural supports spaced a maximum of 5 ft o.c. with **one (1)** #12-24 x 1-1/4" Hex Washer Head self drilling screws fastened at the bottom of each flute (6" o.c.). Deck sidelaps shall be fastened 6" o.c. with #12-14 x 3/4" Hex Head self drilling screws.

Insulation: Minimum 3/4" thick and Maximum 4" thick of an approved rigid board insulation with current NOA having a minimum 20psi compressive strength fastened with approved fasteners and plates. Fastening density shall be in compliance with applicable Building Code and Roofing Application Standard RAS 117.

Underlayment: Minimum underlayment shall be Grace Ice and Water Shield installed as per current NOA.

Fire Barrier Board: Any approved fire barrier having a current NOA. Refer to a current fire directory listing for fire ratings of this roofing system assembly as well as the location of the fire barrier within the assembly. See Limitation # 1.

Valleys: Valley construction shall be in compliance with Roofing Application Standard RAS 133 and with Centria Inc's current published installation instructions.

Metal Panels and Accessories: Install the "SRS3-1.5 Galvanized Steel Roofing Panels" and accessories in compliance with Centria Inc's current, published installation instructions and details. Flashing, penetrations, valley construction and other details shall be constructed in compliance with the minimum requirements provided in Roofing Application Standards RAS 133.

Panels shall be installed with approved "SG1P Clips". Each clip shall be placed over a Bearing Plate. Clips/Bearing plate shall be fastened with two (2) #14-13 screws of sufficient length for minimum 1/2" penetration through the structural deck. Clip/Bearing plates shall be placed at a distance specified below in **Table A**. The SRS3 Batten shall be placed over the adjacent panels and machine seamed to crimp the batten edges. See Details herein.

**TABLE A
 MAXIMUM DESIGN PRESSURES**

Roof Areas	Field	Perimeter and Corner ¹
Maximum Design Pressure:	-79 psf	-139 psf
Maximum Clip Spacing:	48" o.c.	18" o.c.

1. Extrapolation shall not be allowed



SYSTEM LIMITATIONS

1. Fire classification is not part of this acceptance; refer to a current Approved Roofing Materials Directory for fire ratings of this product.
2. The maximum designed pressure listed herein shall be applicable to all roof pressure zones (i.e. field, perimeters, and corners). Neither rational analysis, nor extrapolation shall be permitted for enhanced fastening at enhanced pressure zones (i.e. perimeters, extended corners and corners).
3. Panels may be rolls formed in continuous lengths from eave to ridge. Maximum lengths shall be as described in Roofing Application Standard RAS 133
4. All panels shall be permanently labeled with the manufacturer's name and/or logo, and the following statement: "Miami-Dade County Product Control Approved" **or** with the Miami-Dade County Product Control Seal as seen below. All clips shall be permanently labeled with the manufacturer's name and/or logo, and/or model.

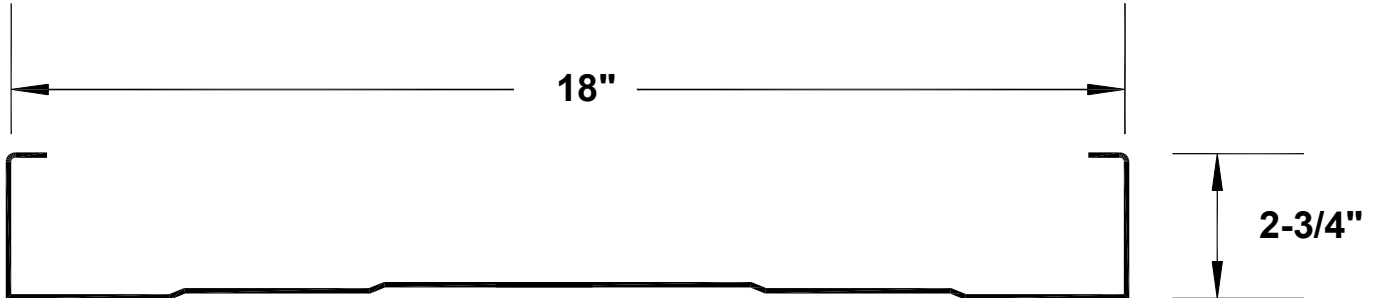


5. All products listed herein shall have a quality assurance audit in accordance with the Florida Building Code and Rule 9N-3 of the Florida Administrative Code.

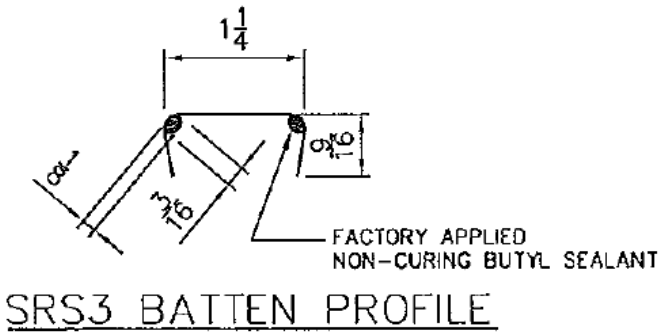


PROFILE DRAWINGS

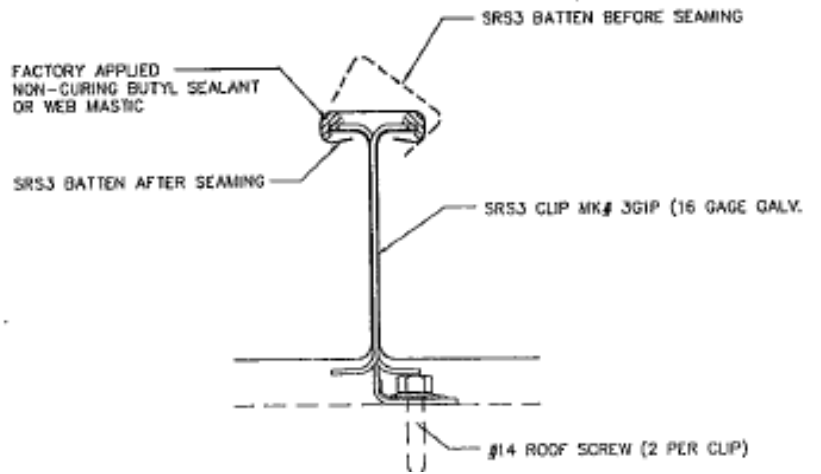
DETAIL A



SRS3-1.5 GALVANIZED STEEL ROOFING PANELS



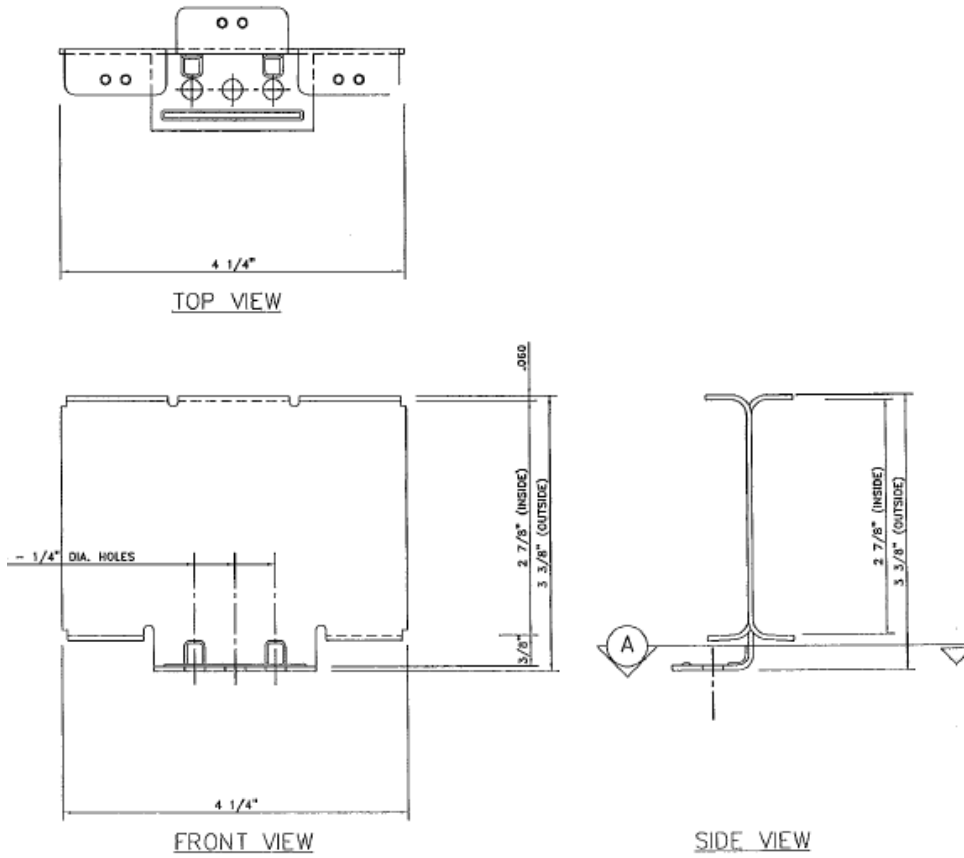
SRS BATTEN



SEAM DETAIL



DETAIL B



3G1P CLIP

END OF THIS ACCEPTANCE

