



DEPARTMENT OF REGULATORY AND ECONOMIC RESOURCES (RER)
BOARD AND CODE ADMINISTRATION DIVISION

NOTICE OF ACCEPTANCE (NOA)

MIAMI-DADE COUNTY
PRODUCT CONTROL SECTION
11805 SW 26 Street, Room 208
Miami, Florida 33175-2474
T (786)315-2590 F (786) 315-2599

www.miamidade.gov/economy

Ross Manufacturing, LLC
155 Spire Lane
New Braunfels, TX 78132

SCOPE:

This NOA is being issued under the applicable rules and regulations governing the use of construction materials. The documentation submitted has been reviewed and accepted by Miami-Dade County RER -Product Control Section to be used in Miami Dade County and other areas where allowed by the Authority Having Jurisdiction (AHJ).

This NOA shall not be valid after the expiration date stated below. The Miami-Dade County Product Control Section (In Miami Dade County) and/or the AHJ (in areas other than Miami Dade County) reserve the right to have this product or material tested for quality assurance purposes. If this product or material fails to perform in the accepted manner, the manufacturer will incur the expense of such testing and the AHJ may immediately revoke, modify, or suspend the use of such product or material within their jurisdiction. RER reserves the right to revoke this acceptance, if it is determined by Miami-Dade County Product Control Section that this product or material fails to meet the requirements of the applicable building code.

This product is approved as described herein, and has been designed to comply with the Florida Building Code including the High Velocity Hurricane Zone of the Florida Building Code.

DESCRIPTION: Ross 2-In-1 Roof Vent

LABELING: Each unit shall bear a permanent label with the manufacturer's name or logo, city, state and following statement: "Miami-Dade County Product Control Approved", unless otherwise noted herein.

RENEWAL of this NOA shall be considered after a renewal application has been filed and there has been no change in the applicable building code negatively affecting the performance of this product.

TERMINATION of this NOA will occur after the expiration date or if there has been a revision or change in the materials, use, and/or manufacture of the product or process. Misuse of this NOA as an endorsement of any product, for sales, advertising or any other purposes shall automatically terminate this NOA. Failure to comply with any section of this NOA shall be cause for termination and removal of NOA.

ADVERTISEMENT: The NOA number preceded by the words Miami-Dade County, Florida, and followed by the expiration date may be displayed in advertising literature. If any portion of the NOA is displayed, then it shall be done in its entirety.

INSPECTION: A copy of this entire NOA shall be provided to the user by the manufacturer or its distributors and shall be available for inspection at the job site at the request of the Building Official.

This NOA consists of pages 1 through 6.
The submitted documentation was reviewed by Juan E. Collao, R.A.



NOA No.: 13-0124.04
Expiration Date: 10/10/18
Approval Date: 10/10/13
Page 1 of 6

ROOFING COMPONENT APPROVAL

Category: Roofing
Sub-Category: Ventilation
Materials: Plastic
Minimum Slope: 3:12

TRADE NAMES OF PRODUCTS MANUFACTURED OR LABELED BY APPLICANT:

<u>Product</u>	<u>Dimensions</u>	<u>Test Specification</u>	<u>Product Description</u>
Ross 2-in-1 Vent	Length: 48" Width: 15.657" Thickness: 1"	TAS 100	Plastic low profile attic ridge vent for installation on asphaltic shingle roof systems. For 12" or 9" wide installations only.

MANUFACTURING LOCATION

1. Arlington, TX

EVIDENCE SUBMITTED:

<u>Test Agency/Identifier</u>	<u>Name</u>	<u>Report</u>	<u>Date</u>
Hurricane Engineering & Testing Inc.	ASTM D 635	HETI-12-F106	11/19/12
Hurricane Engineering & Testing Inc.	ASTM D 638	HETI-12-U111 HETI-12-U112	11/20/12 11/13/12
Hurricane Engineering & Testing Inc.	ASTM D 1929	HETI-12-F106	11/19/12
Hurricane Engineering & Testing Inc.	ASTM D 2843	HETI-12-F106	11/19/12
Hurricane Engineering & Testing Inc.	ASTM G 155	HETI-12-A406	11/20/12
Fenestration Testing Laboratory, Inc.	TAS 100(A)-95	11-3476	09/23/13



APPROVED APPLICATIONS

Tradename: Ross 2-In-1 Roof Vent

System Type A: Mechanical attachment of ridge vent on asphaltic shingle roof systems (**12” installation**)

Slot: Truss Construction: Cut a 1” slot on each side of the ridge starting a minimum of 12” from the rake edge of the roof.

Ridge Pole Construction: Cut a 1” slot on each side of the ridge pole starting a minimum of 12” from the rake edge of roof.

Installation: Using a chalk line, mark 1” on both sides of ridge (1” beyond ridge pole). Cut slot at a depth to cut through the decking only. Seal the edge of the hole with approved roofing cement. Center ridge vent over the opening, ensuring that roof vent support pegs sit flat on the roof.

Using the nail lines provided, nail vent unto deck using 0.120” diameter corrosion resistant annular ring shank approved roofing nails of sufficient length to penetrate through the thickness of sheathing or wood plank a minimum of 3/16” or penetrate into a 1” or greater thickness of lumber a minimum of 1”, located one at each corner and 6” on center at manufacturer’s pre-marked location. Install vent starting from outer edge moving inward. Ensure that each piece of the roof vent is joined together using the male/female connectors.

Cut final piece to length so that it is flush with the edge of roof. Ensure that self-closed end cap faces out to prevent water infiltration.

Ridge Shingle: Using nail lines provided on top of vent, install the cap shingles directly to the vent, in compliance with the shingle manufacturer’s Notice of Acceptance (NOA) and installation instructions, using roofing nails of sufficient length to penetrate through the sheathing a minimum of 3/16” or at least 1” into wood plank decking thicker than 1”.

Ventilation Calculations: Refer to manufacturer’s published literature.



Tradename:	Ross 2-In-1 Roof Vent
System Type B:	Mechanical attachment of ridge vent on asphaltic shingle roof systems (9" installation)
Slot:	<p>Truss Construction: Cut a 1" slot on each side of the ridge starting a minimum of 12" from the rake edge of the roof.</p> <p>Ridge Pole Construction: Cut a 1" slot on each side of the ridge pole starting a minimum of 12" from the rake edge of roof.</p>
Installation:	<p>On the underside of ridge vent, use utility knife and score the length of the roof vent in the groove opposite of the cut/break line, for 9" application score both grooves. Once the underside has been scored, bend external baffle at grooves and remove both baffles. Overlap the removed external baffles onto the body of roof vent by inserting the 12" nail support into the 9" receiving nail hole.</p> <p>Using a chalk line, mark 1" on both sides of ridge (1" beyond ridge pole). Cut slot at a depth to cut through the decking only. Seal the edge of the hole with approved roofing cement. Center ridge vent over the opening, ensuring that roof vent support pegs sit flat on the roof.</p> <p>Using the nail lines provided, nail vent unto deck using 0.120" diameter corrosion resistant annular ring shank approved roofing nails of sufficient length to penetrate through the thickness of sheathing or wood plank a minimum of 3/16" or penetrate into a 1" or greater thickness of lumber a minimum of 1", located one at each corner and 6" on center at manufacturer's pre-marked location. Install one side of the roof vent, starting from the outer edge and moving inward. Bend the roof vent over the ridge and install the other side. Caulk gaps with approved roofing cement where the external baffle meets shingles and between low areas of shingle and external baffle. Do not plug weep holes. Ensure that each piece of the roof vent is joined together using the male/female connectors.</p> <p>Cut final piece to length so that it is flush with the edge of roof. Ensure that self-closed end cap faces out to prevent water infiltration.</p>
Ridge Shingle:	Using nail lines provided on top of vent, install the cap shingles directly to the vent, in compliance with the shingle manufacturer's Notice of Acceptance (NOA) and installation instructions, using roofing nails of sufficient length to penetrate through the sheathing a minimum of 3/16" or at least 1" into wood plank decking thicker than 1".
Ventilation Calculations:	Refer to manufacturer's published literature.

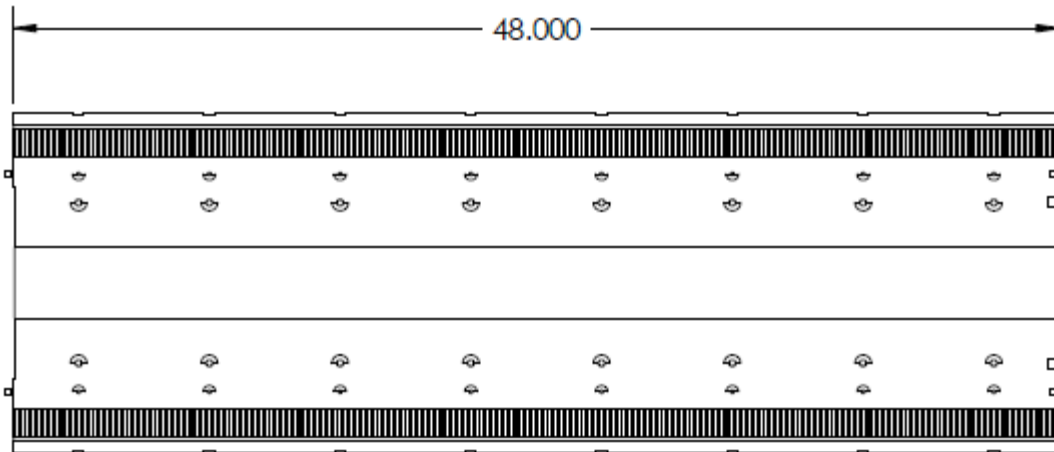
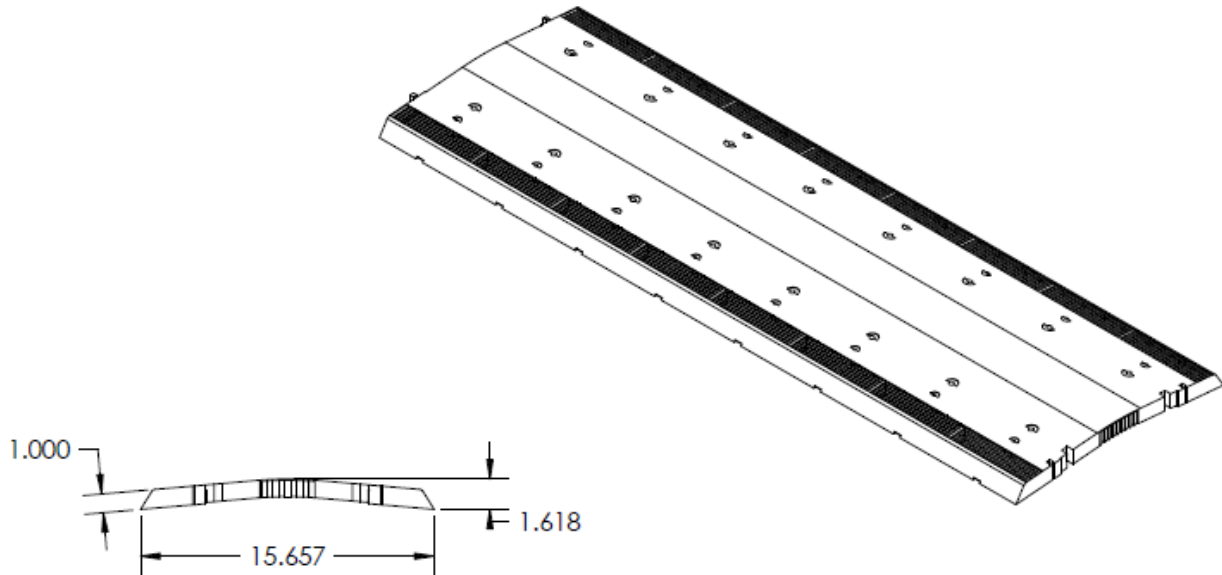


LIMITATIONS:

1. Refer to applicable Building Code for required ventilation.
2. Ross 2-In-1 Roof Vent shall comply with applicable Building Code
3. Ross 2-In-1 Roof Vent shall not be installed on roof mean heights greater than 33 ft.
4. All products listed herein shall have a quality assurance audit in accordance with the Florida Building Code and Rule 9N-3 of the Florida Administrative Code.
5. All approved products listed herein shall be labeled and shall bear the imprint or identifiable marking of the manufacturer's name or logo and following statement: "Miami-Dade County Product Control Approved or the Miami-Dade County Product Control Seal as shown below:



DETAIL DRAWINGS



ROSS 2-IN-1 ROOF VENT

END OF THIS ACCEPTANCE

