



DEPARTMENT OF REGULATORY AND ECONOMIC RESOURCES (RER)
BOARD AND CODE ADMINISTRATION DIVISION

MIAMI-DADE COUNTY
PRODUCT CONTROL SECTION
11805 SW 26 Street, Room 208
T (786) 315-2590 F (786) 315-2599

NOTICE OF ACCEPTANCE (NOA)

www.miamidade.gov/economy

Eurotech Industries, Inc.
4201 NE 12th Terrace
Ft. Lauderdale, FL 33334

SCOPE:

This NOA is being issued under the applicable rules and regulations governing the use of construction materials. The documentation submitted has been reviewed and accepted by Miami-Dade County RER - Product Control Section to be used in Miami Dade County and other areas where allowed by the Authority Having Jurisdiction (AHJ).

This NOA shall not be valid after the expiration date stated below. The Miami-Dade County Product Control Section (In Miami Dade County) and/or the AHJ (in areas other than Miami Dade County) reserve the right to have this product or material tested for quality assurance purposes. If this product or material fails to perform in the accepted manner, the manufacturer will incur the expense of such testing and the AHJ may immediately revoke, modify, or suspend the use of such product or material within their jurisdiction. RER reserves the right to revoke this acceptance, if it is determined by Miami-Dade County Product Control Section that this product or material fails to meet the requirements of the applicable building code.

This product is approved as described herein, and has been designed to comply with the Florida Building Code, including the High Velocity Hurricane Zone.

DESCRIPTION: Series "700 Wet-Glazed" White PVC Single Hung Window – L.M.I.

APPROVAL DOCUMENT: Drawing No. 700SHW001 R1, titled "700-Series Single-Hung Window (Wet-Glazed) Large Missile Impact Resistant", sheets 1 through 6 of 6, dated 08/28/12, with revision #1 dated 07/23/13, prepared by Category 5 Engineering Services, Inc., signed and sealed by Emma T. Mellinger, P.E., bearing the Miami-Dade County Product Control Approval stamp with the Notice of Acceptance number and approval date by the Miami-Dade County Product Control Section.

MISSILE IMPACT RATING: Large and Small Missile Impact Resistant

LABELING: Each unit shall bear a permanent label with the manufacturer's name or logo, city, state, model/series, and following statement: "Miami-Dade County Product Control Approved", unless otherwise noted herein.

RENEWAL of this NOA shall be considered after a renewal application has been filed and there has been no change in the applicable building code negatively affecting the performance of this product.

TERMINATION of this NOA will occur after the expiration date or if there has been a revision or change in the materials, use, and/or manufacture of the product or process. Misuse of this NOA as an endorsement of any product, for sales, advertising or any other purposes shall automatically terminate this NOA. Failure to comply with any section of this NOA shall be cause for termination and removal of NOA.

ADVERTISEMENT: The NOA number preceded by the words Miami-Dade County, Florida, and followed by the expiration date may be displayed in advertising literature. If any portion of the NOA is displayed, then it shall be done in its entirety.

INSPECTION: A copy of this entire NOA shall be provided to the user by the manufacturer or its distributors and shall be available for inspection at the job site at the request of the Building Official.

This NOA consists of this page 1 and evidence pages E-1 and E-2, as well as approval document mentioned above.

The submitted documentation was reviewed by **Manuel Perez, P.E.**



Handwritten signature and date: MP 1/9/14

NOA No. 13-0227.01
Expiration Date: January 16, 2019
Approval Date: January 16, 2014
Page 1

NOTICE OF ACCEPTANCE: EVIDENCE SUBMITTED

A. DRAWINGS

1. Manufacturer's die drawings and sections.
2. Drawing No. **700SHW001 R1**, titled "700-Series Single-Hung Window (Wet-Glazed) Large Missile Impact Resistant" sheets 1 through 6 of 6, dated 08/28/12, with revision #1 dated 07/23/13, prepared by Category 5 Engineering Services, Inc., signed and sealed by Emma T. Mellinger, P.E.

B. TESTS

1. Test reports on:
 - 1) Air Infiltration Test, per FBC, TAS 202-94
 - 2) Uniform Static Air Pressure Test, Loading per FBC TAS 202-94
 - 3) Water Resistance Test, per FBC, TAS 202-94
 - 4) Large Missile Impact Test per FBC, TAS 201-94
 - 5) Cyclic Wind Pressure Loading per FBC, TAS 203-94
 - 6) Forced Entry Test, per FBC 2411.3.2.1, and TAS 202-94along with marked-up drawings and installation diagram of a Rehau's series 700 white PVC single hung window, prepared by National Certified Testing Laboratories, Test Report No. **NCTL-210-3726-4**, dated 04/27/11, signed and sealed by Gerard J. Ferrara, P.E.

C. CALCULATIONS

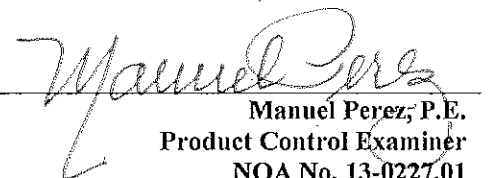
1. Anchor verification calculations and structural analysis complying with **FBC-2010**, dated 08/29/12, prepared by Category 5 Engineering Services, Inc., signed and sealed by Emma T. Mellinger, P.E.
2. Glazing complies with **ASTM E1300-04**

D. QUALITY ASSURANCE

1. Miami-Dade Department of Regulatory and Economic Resources (RER)

E. MATERIAL CERTIFICATIONS

1. Notice of Acceptance No. **13-0129.27** issued to **E.I. DuPont DeNemours & Co., Inc.** for their "**DuPont Butacite® PVB Interlayer**" dated 04/11/13, expiring on 12/11/16.
2. Notice of Acceptance No. **11-0601.06**, issued to **REHAU Industries, Inc.**, for their **White Rigid PVC Exterior Extrusions**, approved on 08/11/11, expiring on 06/17/14.


Manuel Perez, P.E.
Product Control Examiner
NOA No. 13-0227.01

Expiration Date: January 16, 2019
Approval Date: January 16, 2014


NOTICE OF ACCEPTANCE: EVIDENCE SUBMITTED

F. STATEMENTS

1. Statement letter of conformance, complying with **FBC-2010**, dated August 30, 2012, issued by Category 5 Engineering Services, Inc., signed and sealed by Emma T. Mellinger, P.E.
2. Statement letter of no financial interest, dated August 30, issued by Category 5 Engineering Services, Inc., signed and sealed by Emma T. Mellinger, P.E.
3. Laboratory code compliance statement, dated 04/27/11, issued by National Certified Testing Laboratories for Test Report No. **NCTL-210-3726-4**, signed and sealed by Gerard J. Ferrara, P.E.
4. Manufacturer's Acknowledgement Letter issued by Eurotech Industries, Inc., dated 11/06/13, signed by Angelo Petreccia, President Eurotech Industries.
5. Association Release Letter for Master File #**13-0075** issued by AAMA, dated 12/18/13 and signed by Brad Schultz, Associated Laboratories, Inc. AAMA Administrator/Validator.

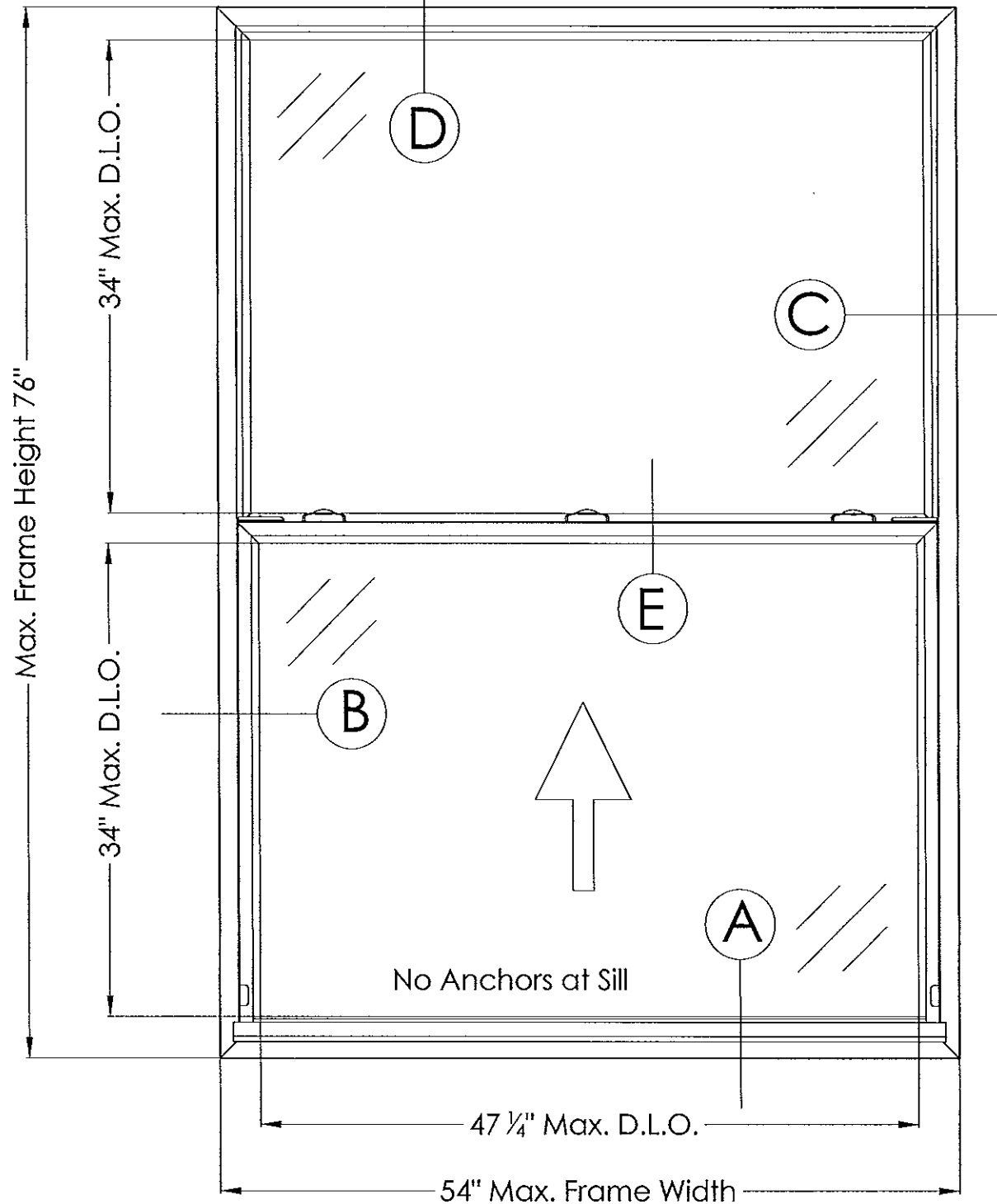
G. OTHER

1. None.


Manuel Perez, P.E.
Product Control Examiner
NOA No. 13-0227.01
Expiration Date: January 16, 2019
Approval Date: January 16, 2014

700-SERIES SINGLE HUNG WINDOW (Wet Glazed)

Exterior View



DESIGN PRESSURE RATING	MISSILE IMPACT RATING
+60 psf, -60 psf	Large Missile Impact

NOTES

This Product is a Vinyl Single-Hung Window with Steel Reinforcement, Wet-Glazed with Laminated Insulated Glazing.

Vinyl Material Meets the Requirements of the 2010 Florida Building Code (HVHZ), and has a Current Miami-Dade County NOA.

This Product Has Been Designed and Manufactured to Comply with the Requirements of the 2010 Florida Building Code, including the High Velocity Hurricane Zone (HVHZ).

This Approval Applies to Single Units, or Combinations of Units Installed Either Side of Product-Approved Mullions Meeting the Site-Specific Design Pressure Requirements.

Wood Buck Design by Others: Wood Bucks Shall Adequately Transfer Imposed Loads to the Surrounding Structure.

A Load Duration Increase in Allowable Stress Has Been Used in the Design of Anchors into Wood Only.

Anchors Shall be As Listed, As Shown on Details Herein. Anchor Embedment into Base Substrate Shall be Beyond Wall Dressing or Stucco.

Anchor Conditions Not Described Herein are Not Part of This Approval Document, and Shall Require a Site Specific Design Signed and Sealed by a Florida-Registered Professional Engineer.

TABLE OF CONTENTS

SHEET	DESCRIPTION
1	Elevation and General Notes
2	Anchor Schedule and Installation Notes
3	Anchor Details
4	Cross Sections and Glazing Detail
5	Components and Bill of Materials
6	Corner Construction

CATEGORY 5
Engineering Services, Inc.

1600 S. Federal Highway, #207
Pompano Beach, FL 33062
(954) 784-6991 • CA #25854

Emma T. Mellinger, P.E.
AUG 15 2013

Miami-Dade County Use Only

Approved as complying with the
Florida Building Code
Date: Jan 16 2014
NOA# 13-0227-01
Miami Dade Product Control

By: *[Signature]*

700-SERIES SINGLE-HUNG WINDOW
(Wet-Glazed)

Large Missile Impact Resistant

EUROTECH INDUSTRIES, INC.

250 NE 32nd Street, Fort Lauderdale, FL 33334
(954) 630-9967 tel. (954) 630-0217 fax.

DATE: 08/28/12

SCALE: AS NOTED

BY: ETM

REVISIONS

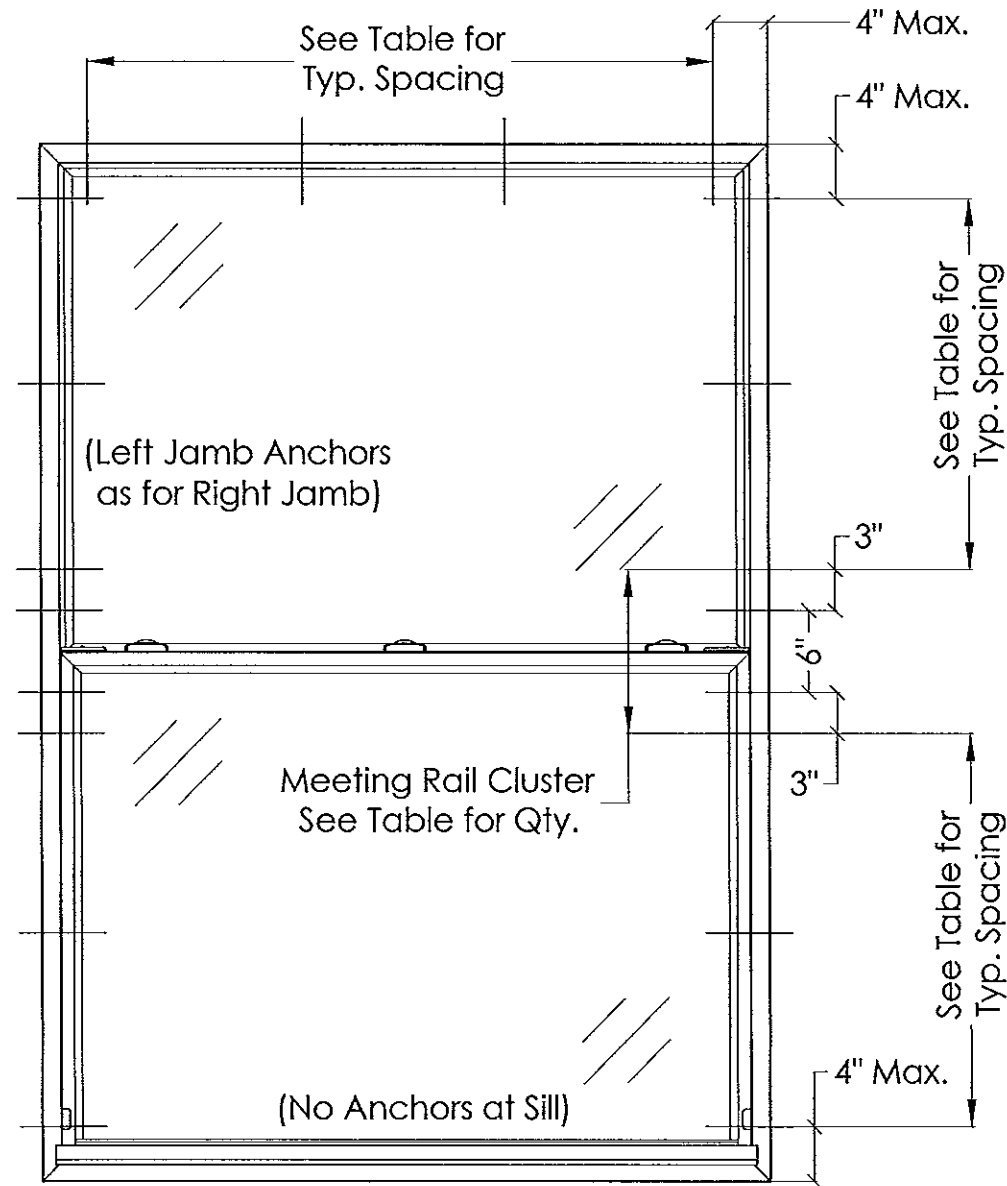
NO.	DATE	BY	DESCRIPTION
1	7-23-13	EM	Corrections per Miami-Dade

DRAWING No. :
700SHW001 R1

Sheet 1 of 6

700-SERIES SINGLE HUNG WINDOW (Wet Glazed)

Exterior View



INSTALLATION NOTES

- Anchors Shall be of a Type Listed on This Sheet, Depending on the Substrate.
- Anchors Shall be Located a Maximum of 4" From Corners, and 3" From Meeting Rail.
- A Cluster of Anchors Shall be Located at the Meeting Rail, Distributed Equally Either Side. The Required Quantity of Anchors per Cluster is Shown in the Table at Right. A Cluster of (4) Anchors is Illustrated Above.
- The Balance of Anchors Shall be Spaced Depending on the Frame Dimensions and Anchor Type, According to the Table at Right.
- No Anchors Shall be Required at the Sill.
- Wood Bucks Shall Fully Back the Window Frame, Supporting its Entire Depth.
- A 1" x Wood Buck Shall be a Wood Buck Having a Thickness of Less Than 1 1/2". 1" Wood Bucks Shall be Optional if the Window Can be installed Directly to the Substrate.
- The Installation of 2" x as well as 1" x Wood Bucks Shall be Engineered by Others, as Approved by the Authority Having Jurisdiction.

- A Structural Shim Shall be Used at Each Anchor Location Where a Gap of 1/8-inch or More Exists Between the Window Frame and the Substrate. Such Shims Shall Extend the Entire Depth of the Frame, and be No More than 1/4-inch in Thickness, Unless Otherwise Specified.
- Anchor Embedments and Edge Distances Indicated Shall be Beyond Wall Dressing or Stucco, into Structural Substrate.

ANCHORS SHALL BE OF THE FOLLOWING TYPES:

- **TYPE I:** For Installation into **Concrete Substrates**, Use Approved 3/16" ELCO Ultracons of Sufficient Length to Achieve at Least 1 3/4" Embedment.
- **TYPE II:** For Installation into **CMU Substrates** (Hollow or Grout-Filled), Use Approved 3/16" ELCO Ultracons of Sufficient Length to Achieve at Least 1 3/8" Embedment.
- **TYPE III:** For Installation into **Wood Substrates**, Use #10 Hilti Kwik-Flex Screws, of Sufficient Length to Achieve at Least 1 1/2" Embedment.
- **TYPE IV:** For Installation into **Metal Substrates**, at Least 1/8" Thick, Use #10 Hilti Kwik-Flex Screws of Sufficient Length to Achieve a Minimum Penetration through the Metal of Three Full Thread Pitches. No Shim Space is Permitted.

CATEGORY 5
Engineering Services, Inc.

1600 S. Federal Highway, #207
Pompano Beach, FL 33062
(954) 784-6991 • CA #23854

Emma T. Mellinger, P.E.
FL PE #50049
AUG 14 2013

Miami-Dade County Use Only

Approved as complying with the
Florida Building Code
Date: Jan 16, 2014
NOAH 13-0227.01
Miami Dade Product Control

By: *Manuel Perez*

700-SERIES SINGLE-HUNG WINDOW
(Wet-Glazed)

Large Missile Impact Resistant

EUROTECH INDUSTRIES, INC.

250 NE 32nd Street, Fort Lauderdale, FL 33334
(954) 630-9967 tel. (954) 630-0217 fax.

REQUIRED NUMBER OF MEETING STILE LOCKS

Window Width	Window Height		
	76 in	63 in	<= 56 in
54 in	3	3	2
52 in	3	3	2
48 in	3	2	2
42 in	3	2	2
<= 40 in	2	2	2

If a measurement falls between sizes, use number of locks for the next largest size.

ANCHOR CLUSTER and SPACING REQUIREMENTS

ANCHOR TYPES II and III	Cluster Qty			o/c Head			o/c Jamb		
	Width <= 37 in	Width <= 46 in	Width <= 54 in	Width <= 37 in	Width <= 46 in	Width <= 54 in	Width <= 37 in	Width <= 46 in	Width <= 54 in
<= 38 in	2	16 in	13 in	2	14 in	13 in	4	10 in	10 in
<= 48 in	2	14 in	13 in	2	12 in	12 in	4	10 in	10 in
<= 76 in	2	10 in	10 in	4	10 in	10 in	4	9 in	9 in

ANCHOR TYPES I and IV	Cluster Qty			o/c Head			o/c Jamb				
	Height	All Widths		Height	All Widths		Height	All Widths			
ALL	2	16 in	13 in	ALL	2	16 in	13 in	ALL	2	16 in	13 in

For height dimensions in between sizes shown, use next larger size to determine the cluster size and anchor spacing.
i.e. For 50" height x 40" width, use anchor spacing corresponding to 76" height x 46" width.

DATE: 08/28/12

SCALE: AS NOTED

BY: ETM

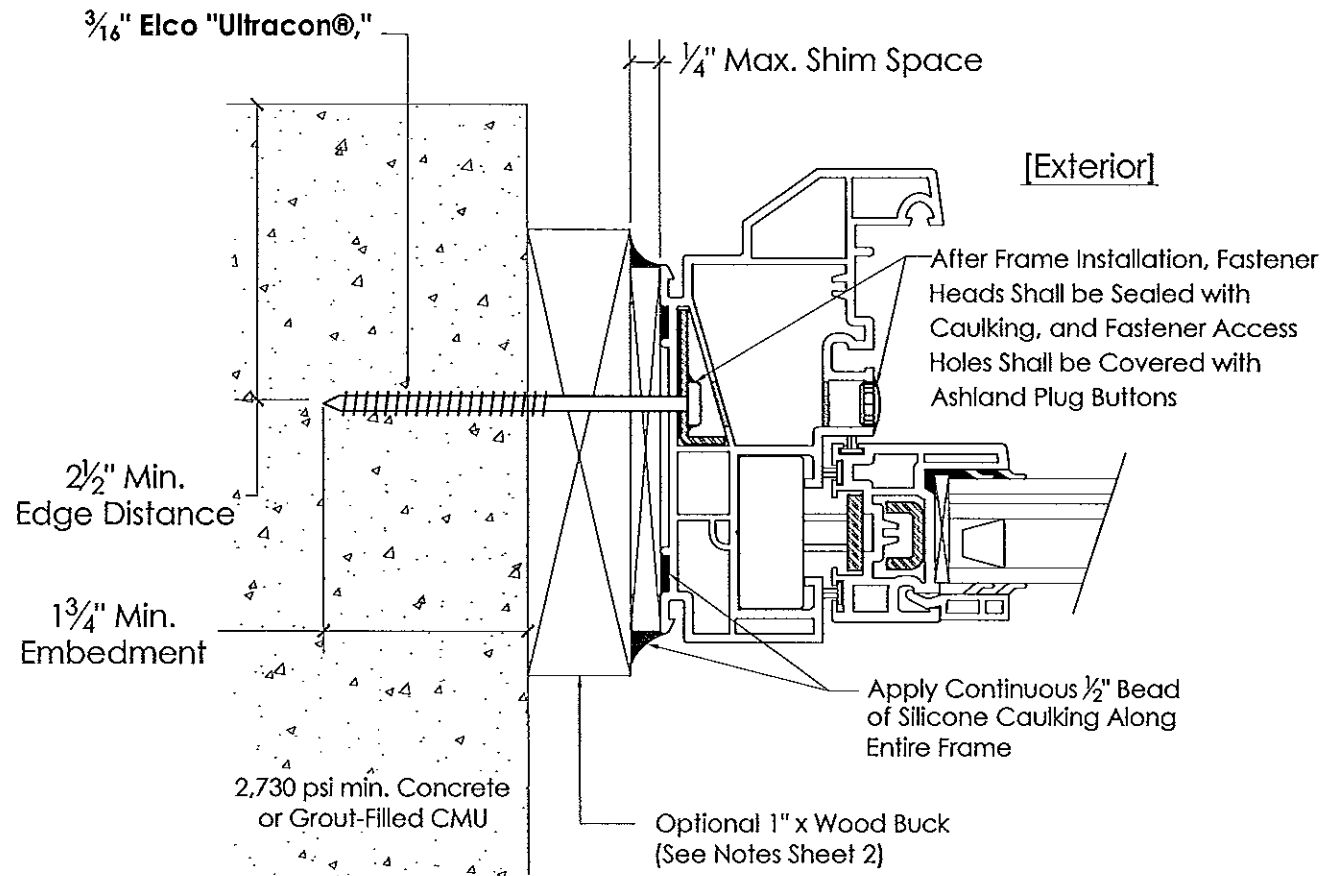
REVISIONS

NO.	DATE	DESCRIPTION
1	7-29-13	EM Corrections per Miami-Dade

DRAWING No. :

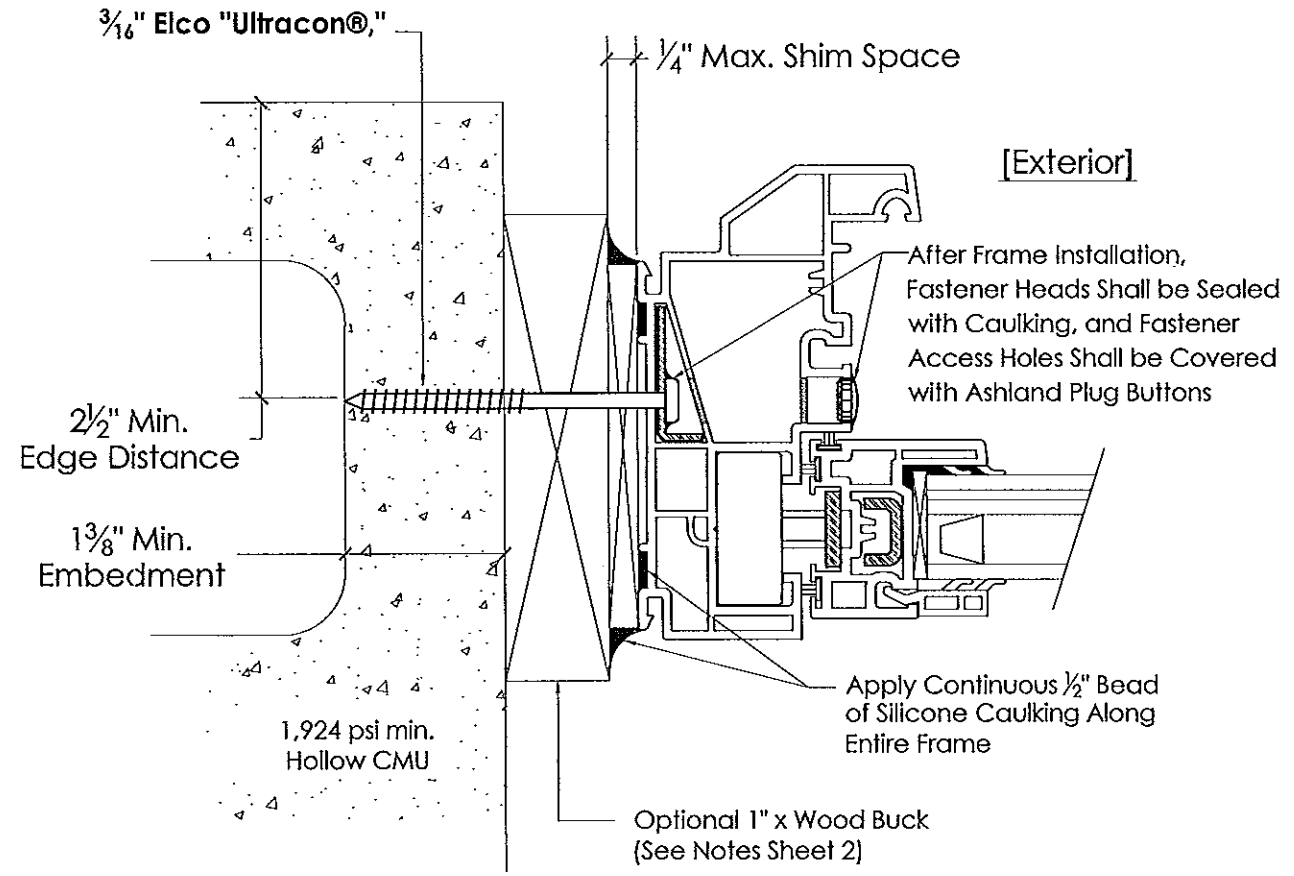
700SHW001 R1

Sheet 2 of 6



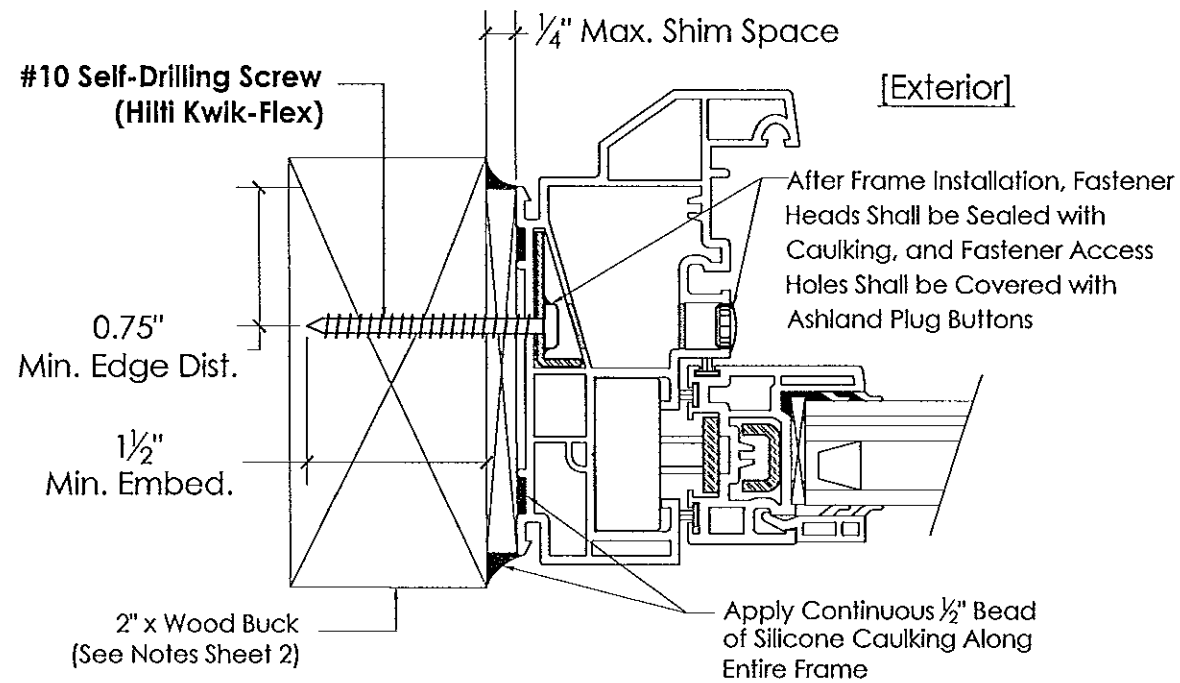
ANCHOR TYPE I

Detail applies to Head and Jambs:
No Fasteners at Sill



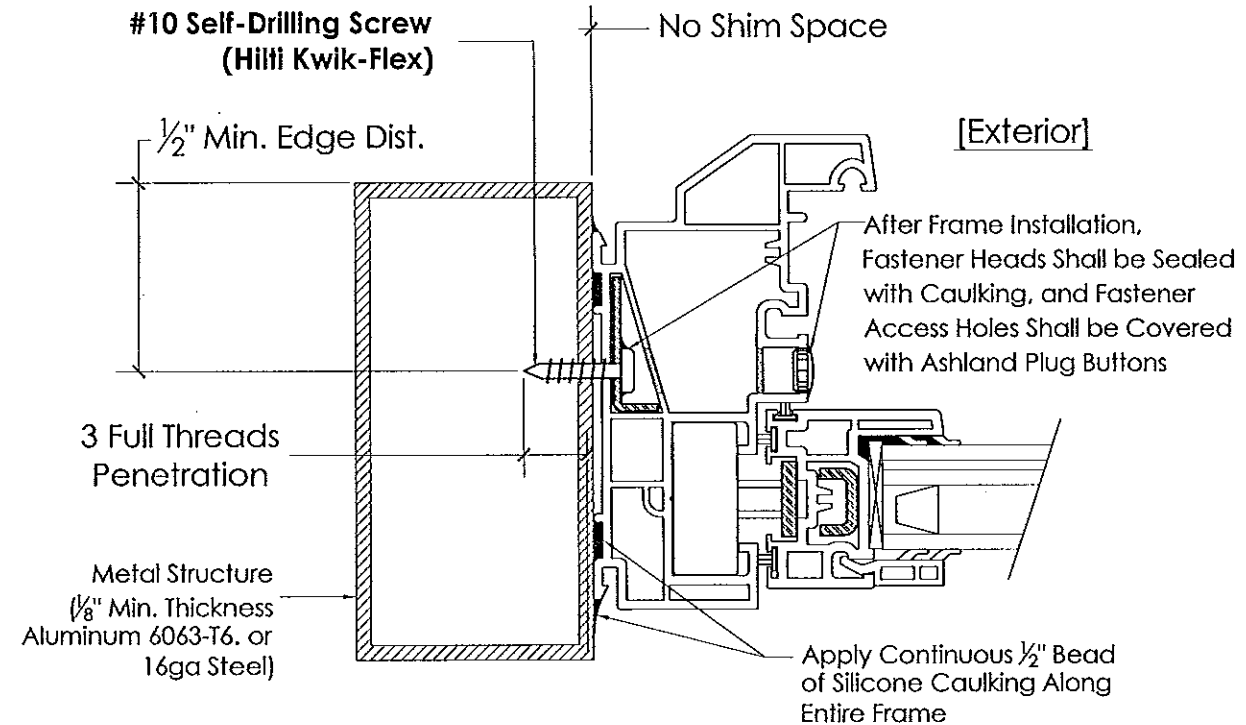
ANCHOR TYPE II

Detail applies to Head and Jambs:
No Fasteners at Sill



ANCHOR TYPE III

Detail applies to Head and Jambs:
No Fasteners at Sill



ANCHOR TYPE IV

Detail applies to Head and Jambs:
No Fasteners at Sill

CATEGORY 5
Engineering Services, Inc.

1600 S. Federal Highway, #207
Pompano Beach, FL 33062
(954) 784-6991 • CA #25854

Emma T. Mellinger, P.E.
FL PE #50049

AUG 14 2013

Miami-Dade County Use Only

Approved as complying with the
Florida Building Code
Date: Jan 16, 2014
NOA# 13-0227-01
Miami Dade Product Control

By: Manuel Perez

700-SERIES SINGLE-HUNG WINDOW
(Wet-Glazed)
Large Missile Impact Resistant

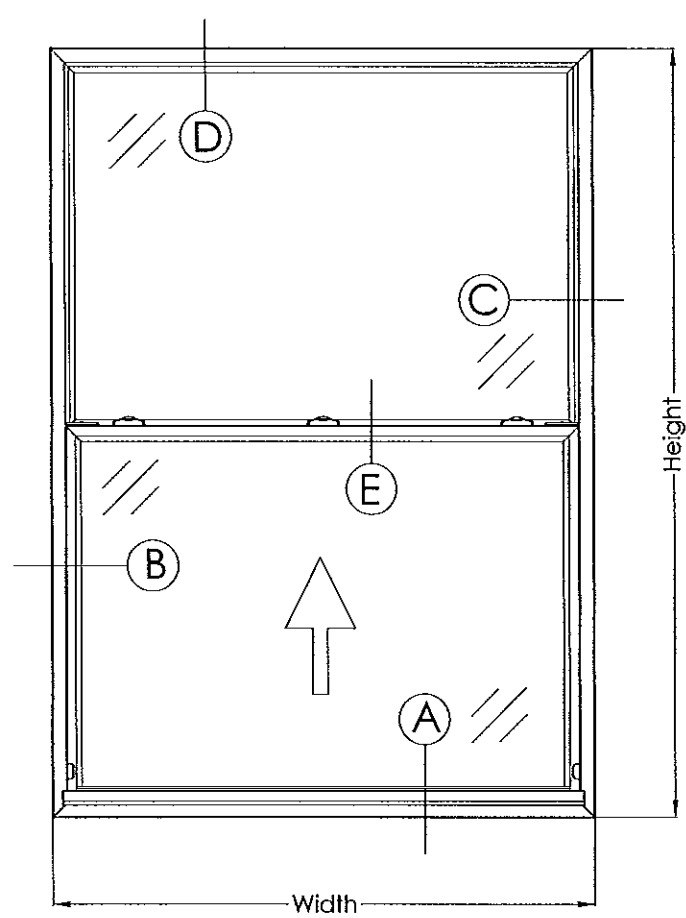
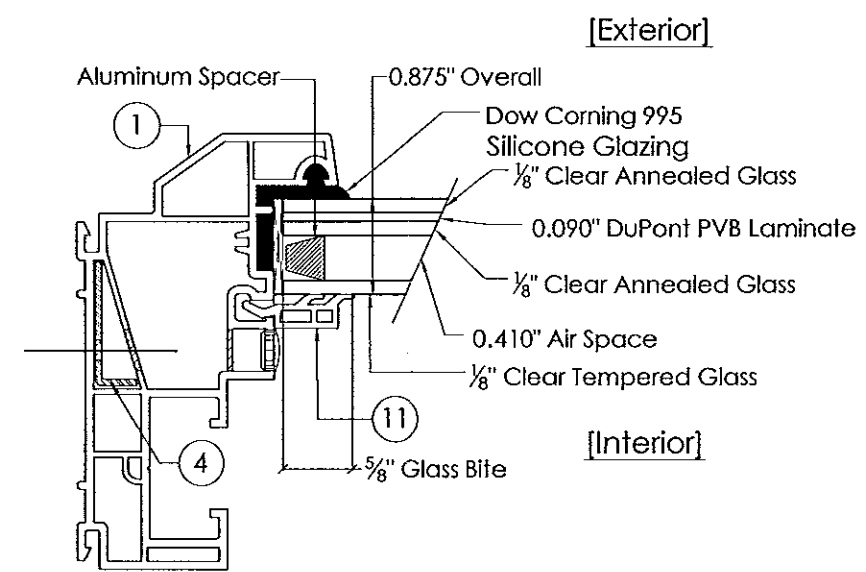
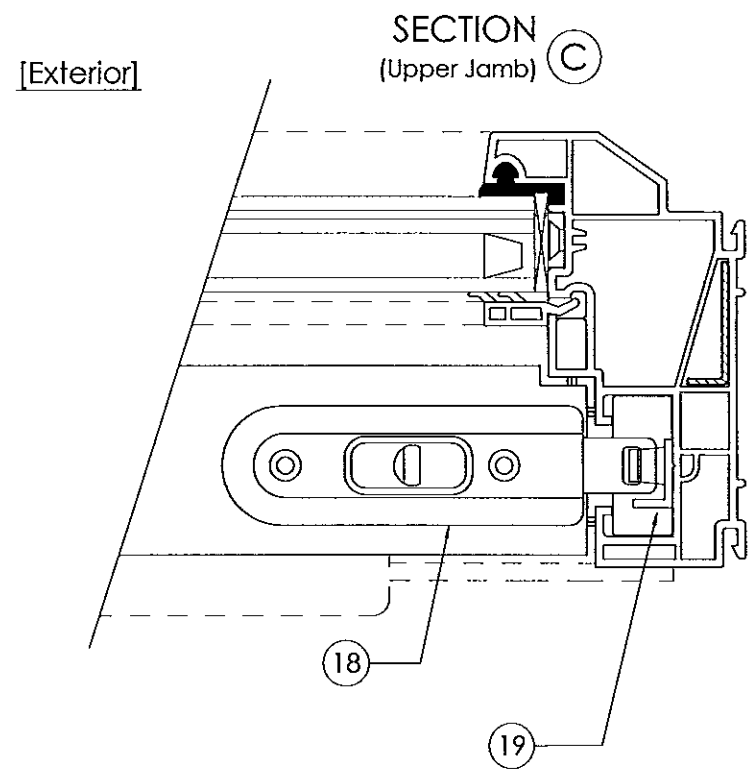
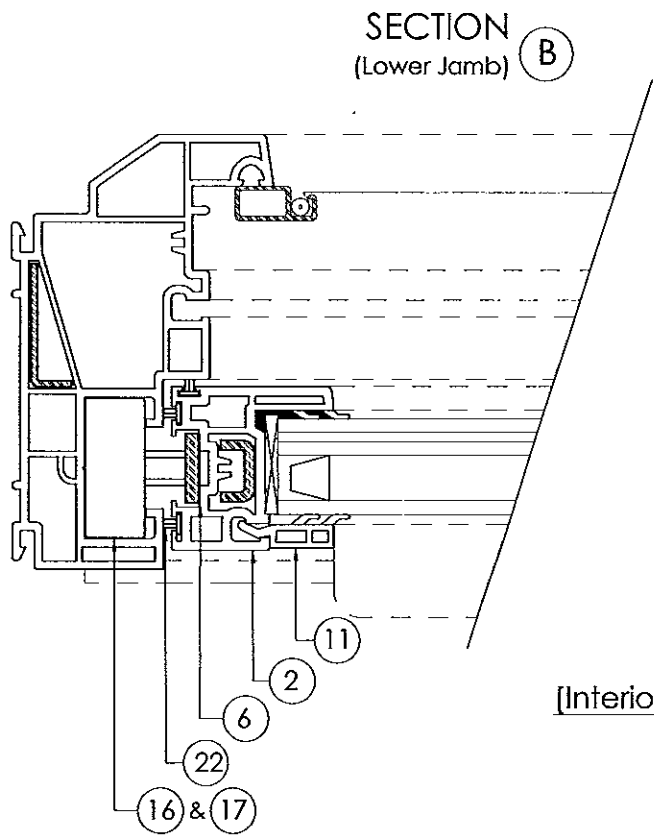
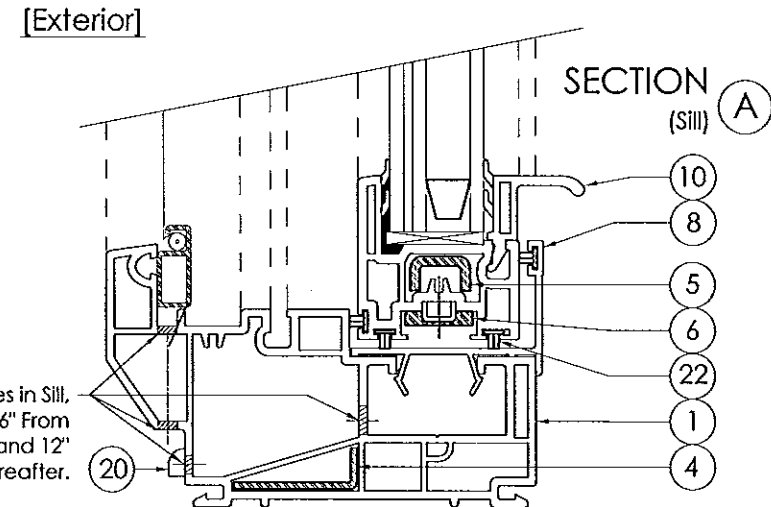
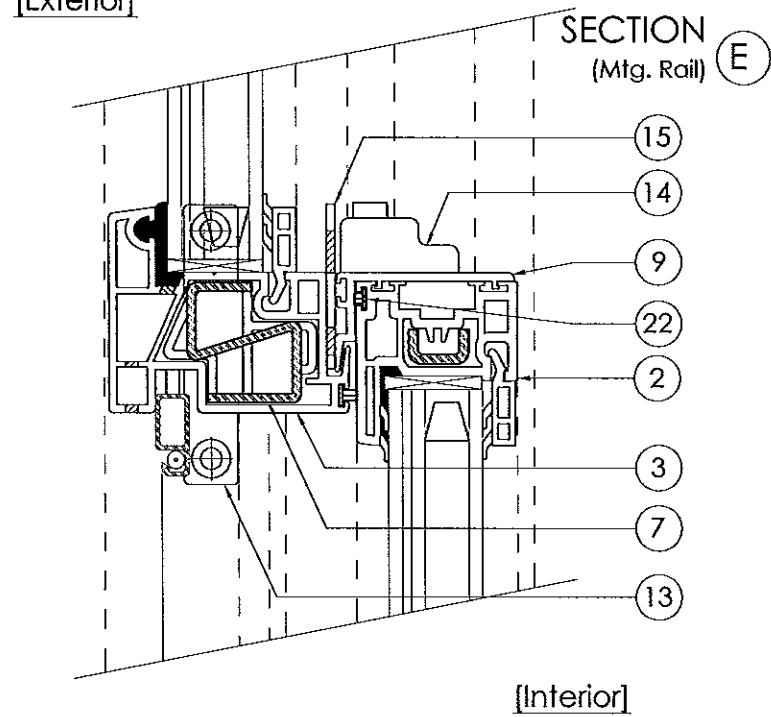
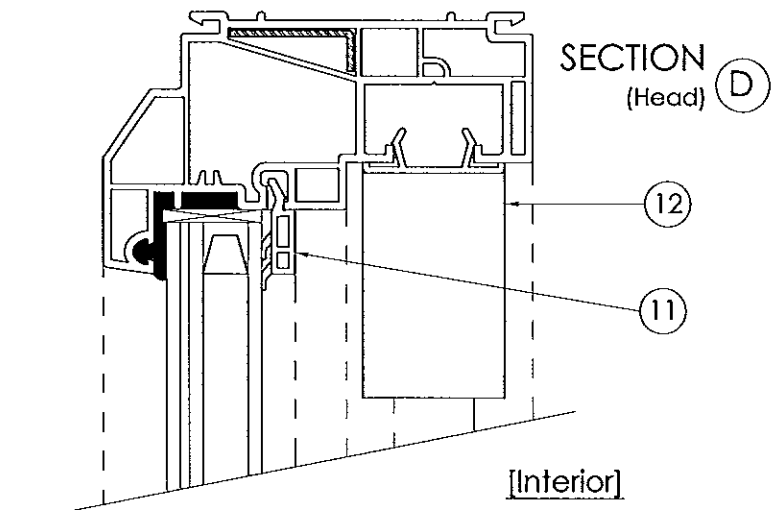
EUROTECH INDUSTRIES, INC.

250 NE 32nd Street, Fort Lauderdale, FL 33334
(954) 630-9967 tel. (954) 630-0217 fax.

DATE: 08/28/12	SCALE: AS NOTED	BY: ETM	REVISIONS	NO.	DATE	DESCRIPTION
				1	7-23-13	EM
						Corrections per Miami-Dade

DRAWING No. :
700SHW001R1

Sheet 3 of 6



CATEGORY 5
 Engineering Services, Inc.
 1600 S. Federal Highway, #207
 Pompano Beach, FL 33062
 (954) 784-6991 • CA #25854

Emma T. Mellinger, P.E.
 FL PE #50049

AUG 14 2013

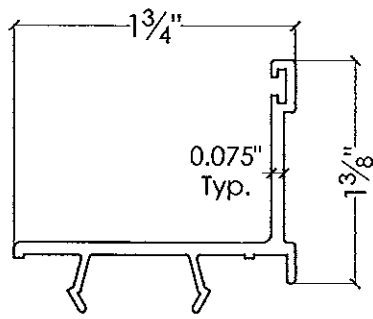
Miami-Dade County Use Only
 Approved as complying with the Florida Building Code
 Date: Jan 16, 2014
 NOAH 13-0227.01
 Miami Dade Product Control
 By: *[Signature]*

700-SERIES SINGLE-HUNG WINDOW
 (Wet-Glazed)
Large Missile Impact Resistant

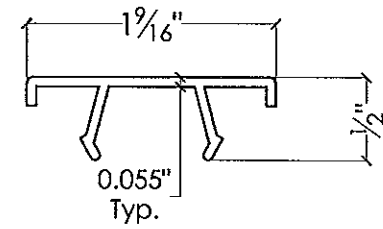
EUROTECH INDUSTRIES, INC.
 250 NE 32nd Street, Fort Lauderdale, FL 33334
 (954) 630-9967 tel. (954) 630-0217 fax.

DATE: 08/28/12	SCALE: AS NOTED	BY: ETM	REVISIONS	NO.	DATE	DESCRIPTION
				1	7-23-13	EM
						Corrections per Miami-Dade

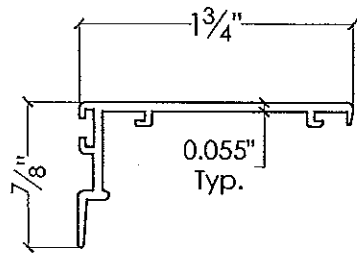
DRAWING No. :
 700SHW001 R1



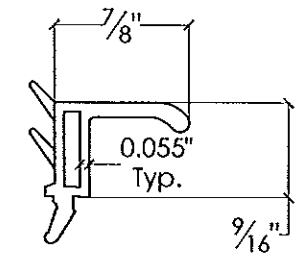
⑧ Tall Sill Insert



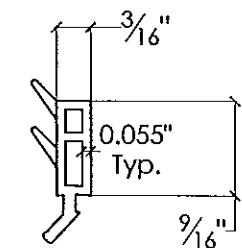
⑫ Wide Sash Stop



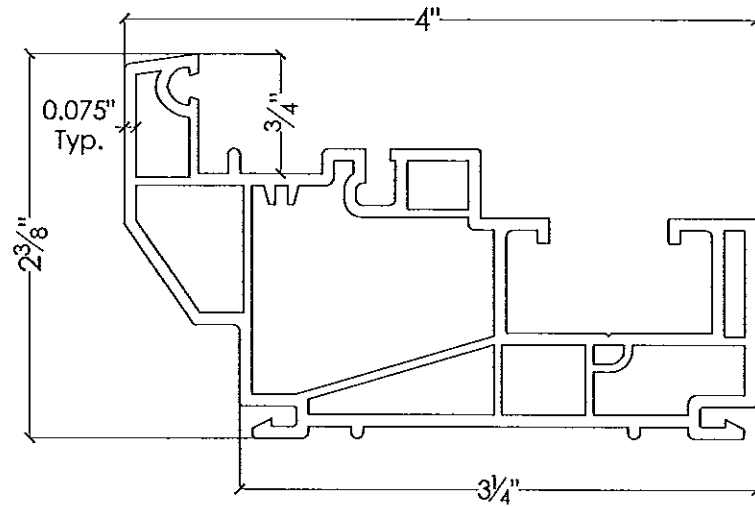
⑨ Standard Interlock



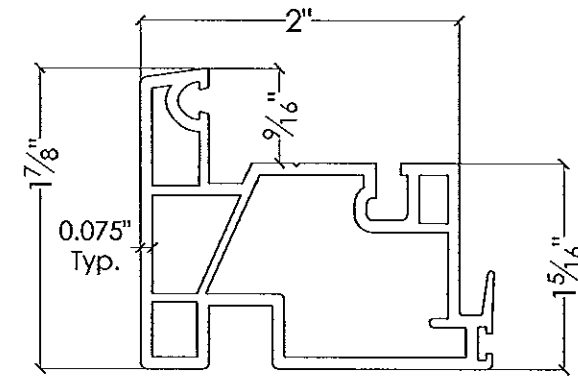
⑪ Lift-Rail Glazing Stop for 7/8" Glass



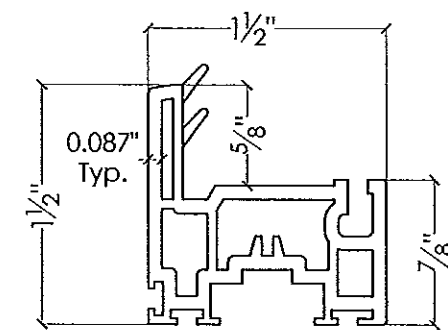
⑩ Glazing Stop #2 for 7/8" Glass



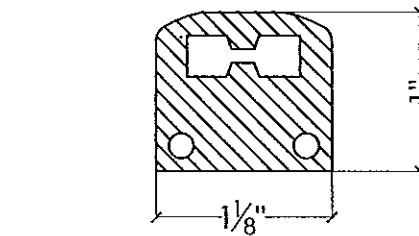
① Single-Hung Frame



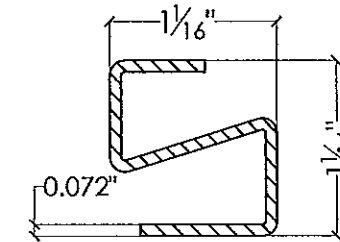
③ Single-Hung Transom



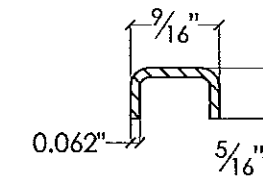
② Common Sash



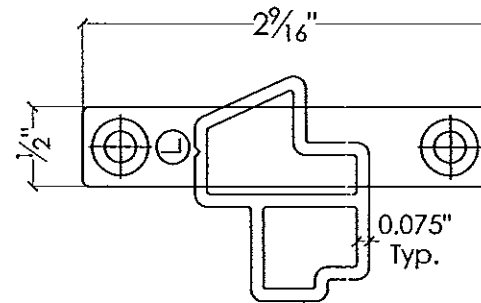
⑮ 2-Tab Steel Keeper



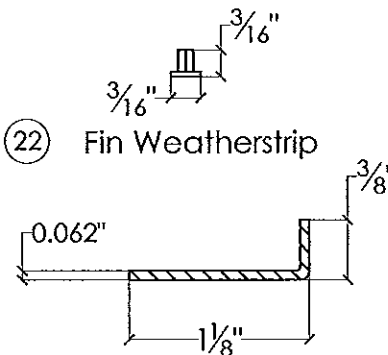
⑦ Steel Reinforcement for Single-Hung Transom



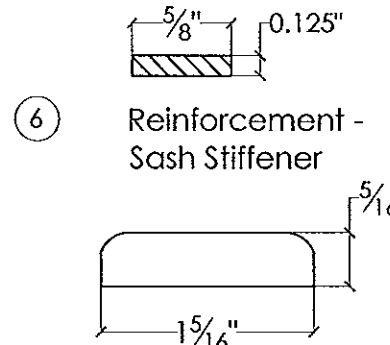
⑤ Steel Sash Reinforcement



⑬ Single-Hung Transom Attachment Bracket



④ Steel Frame Reinforcement



⑥ Reinforcement - Sash Stiffener

BILL OF MATERIALS

Item #	Part #	Description	Material	Vendor
1	601385	Frame	Vinyl	Rehau Industries, Inc
2	605733	Sash	Vinyl	Rehau Industries, Inc
3	601395	Transom	Vinyl	Rehau Industries, Inc
4	601415	Reinforcement - Frame	Galv. Steel	Rehau Industries, Inc
5	600195	Reinforcement - Sash	Galv. Steel	Rehau Industries, Inc
6		Reinforcement - Sash	Aluminum	Rehau Industries, Inc
7	601405	Reinforcement - Transom	Galv. Steel	Rehau Industries, Inc
8	245534	HP Snap-in Sill	Vinyl	Rehau Industries, Inc
9	608703	Standard Interlock	Vinyl	Rehau Industries, Inc
10	605683	Lift-Rail Glazing Stop	Vinyl	Rehau Industries, Inc
11	600175	Glazing Stop	Vinyl	Rehau Industries, Inc
12	605703	Wide Sash Stop	Vinyl	Rehau Industries, Inc
13	619405	Transom Attachment Bracket	Nylon	Rehau Industries, Inc
14	A09200412	Lock (for qty. see chart on sheet 2)	Zinc	Truth
15	R-500701-WH	Keeper	Steel	Four-Jaks
16	72850	Balance Lock		Amesbury
17	23600	Piv of Bar		Amesbury
18	75065-015C	Tilt-Latch Assembly	Zinc	Ashland
19	13864	Latch Hook	Steel	Ashland
20	261582	Drain Cover Caps	Vinyl	Rehau Industries, Inc
21	13856	Plug Buttons	Vinyl	Ashland
22		Fin Weatherstrip (single-piece construction)	Polypropylene	UltraFab

CATEGORY 5
Engineering Services, Inc.

1600 S. Federal Highway, #207
Pompano Beach, FL 33062
(954) 784-6991 • CA #25854

Emma T. Mellinger, P.E.
FL PE #50049
AUG 14 2013

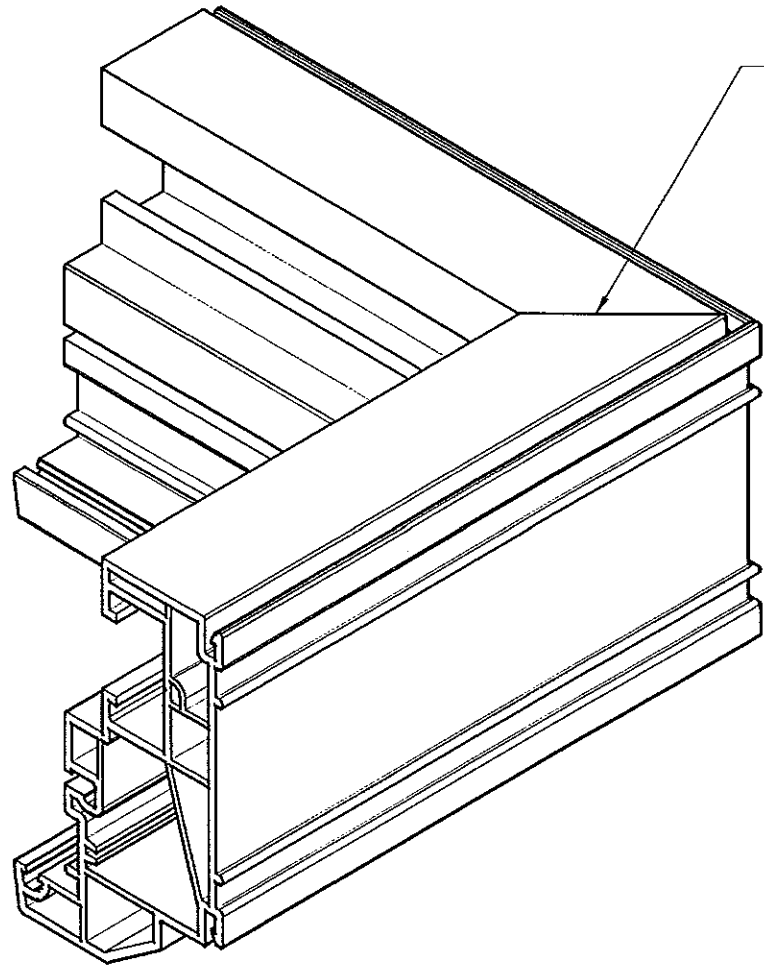
Miami-Dade County Use Only
Approved as complying with the
Florida Building Code
Date: Jan 16, 2014
NOA# 13-0227-01
Miami Dade Product Control
By: *[Signature]*

700-SERIES SINGLE-HUNG WINDOW
(Wet-Glazed)
Large Missile Impact Resistant

EUROTECH INDUSTRIES, INC.
250 NE 32nd Street, Fort Lauderdale, FL 33334
(954) 630-9967 tel. (954) 630-0217 fax.

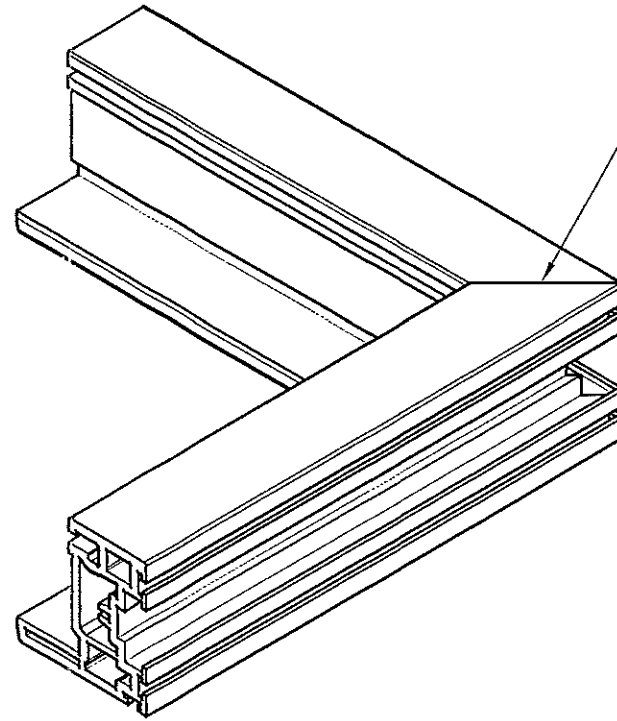
DATE: 08/28/12	SCALE: AS NOTED	BY: ETM	REVISIONS	NO.	DATE	BY	DESCRIPTION
				1	7-23-13	EM	Corrections per Miami-Dade

DRAWING No. :
700SHW001 R1
Sheet 5 of 6



Miter-Cut
Welded Corner

FRAME DETAIL



Miter-Cut
Welded Corner

SASH DETAIL

CATEGORY 5
Engineering Services, Inc.

1600 S. Federal Highway, #207
Pompano Beach, FL 33062
(954) 784-6991 • CA #25854

Emma T. Mellinger, P.E.
FL PE #50049

ETA AUG 14 2013

Approved as complying with the
Florida Building Code
Date: Jan 16, 2014
MOA# 13-0727-01
Miami Dade Product Control
By: *Mmanuel Perez*

700-SERIES SINGLE-HUNG WINDOW
(Wet-Glazed)
Large Missile Impact Resistant

EUROTECH INDUSTRIES, INC.
250 NE 32nd Street, Fort Lauderdale, FL 33334
(954) 630-9967 tel. (954) 630-0217 fax.

DATE: 08 / 28 / 12	
SCALE: AS NOTED	
BY: ETM	
REVISIONS	
1	8-01-13 JT
NO.	DATE
BY	DESCRIPTION
	Add This Sheet per Miami-Dade

DRAWING No. :
700SHW001 R1

Sheet 6 of 6