



DEPARTMENT OF REGULATORY AND ECONOMIC RESOURCES (RER)
BOARD AND CODE ADMINISTRATION DIVISION

MIAMI-DADE COUNTY
PRODUCT CONTROL SECTION
11805 SW 26 Street, Room 208
T (786) 315-2590 F (786) 315-2599

NOTICE OF ACCEPTANCE (NOA)

www.miamidade.gov/economy

Eurotech Industries, Inc.
4201 NE 12th Terrace
Ft. Lauderdale, FL 33334

SCOPE:

This NOA is being issued under the applicable rules and regulations governing the use of construction materials. The documentation submitted has been reviewed and accepted by Miami-Dade County RER - Product Control Section to be used in Miami Dade County and other areas where allowed by the Authority Having Jurisdiction (AHJ).

This NOA shall not be valid after the expiration date stated below. The Miami-Dade County Product Control Section (In Miami Dade County) and/or the AHJ (in areas other than Miami Dade County) reserve the right to have this product or material tested for quality assurance purposes. If this product or material fails to perform in the accepted manner, the manufacturer will incur the expense of such testing and the AHJ may immediately revoke, modify, or suspend the use of such product or material within their jurisdiction. RER reserves the right to revoke this acceptance, if it is determined by Miami-Dade County Product Control Section that this product or material fails to meet the requirements of the applicable building code.

This product is approved as described herein, and has been designed to comply with the Florida Building Code, including the High Velocity Hurricane Zone.

DESCRIPTION: Series "4500 Dry-Glazed" White PVC Fixed Window – L.M.I.

APPROVAL DOCUMENT: Drawing No. 4500FXD001 R1, titled "4500-Series Fixed Window (Dry-Glazed) Large Missile Impact Resistant", sheets 1 through 6 of 6, dated 06/29/12, with revision #1 dated 07/30/13, prepared by Category 5 Engineering Services, Inc., signed and sealed by Emma T. Mellinger, P.E., bearing the Miami-Dade County Product Control Approval stamp with the Notice of Acceptance number and approval date by the Miami-Dade County Product Control Section.

MISSILE IMPACT RATING: Large and Small Missile Impact Resistant

LABELING: Each unit shall bear a permanent label with the manufacturer's name or logo, city, state, model/series, and following statement: "Miami-Dade County Product Control Approved", unless otherwise noted herein.

RENEWAL of this NOA shall be considered after a renewal application has been filed and there has been no change in the applicable building code negatively affecting the performance of this product.

TERMINATION of this NOA will occur after the expiration date or if there has been a revision or change in the materials, use, and/or manufacture of the product or process. Misuse of this NOA as an endorsement of any product, for sales, advertising or any other purposes shall automatically terminate this NOA. Failure to comply with any section of this NOA shall be cause for termination and removal of NOA.

ADVERTISEMENT: The NOA number preceded by the words Miami-Dade County, Florida, and followed by the expiration date may be displayed in advertising literature. If any portion of the NOA is displayed, then it shall be done in its entirety.

INSPECTION: A copy of this entire NOA shall be provided to the user by the manufacturer or its distributors and shall be available for inspection at the job site at the request of the Building Official.

This NOA consists of this page 1 and evidence pages E-1 and E-2, as well as approval document mentioned above.

The submitted documentation was reviewed by **Manuel Perez, P.E.**



Handwritten signature and date: MP 1/10/14

NOA No. 13-0227.05
Expiration Date: January 16, 2019
Approval Date: January 16, 2014
Page 1

NOTICE OF ACCEPTANCE: EVIDENCE SUBMITTED

A. DRAWINGS

1. Manufacturer's die drawings and sections.
2. Drawing No. **4500FXD001 R1**, titled "4500-Series Fixed Window (Dry-Glazed) Large Missile Impact Resistant" sheets 1 through 6 of 6, dated 06/29/12, with revision #1 dated 07/30/13, prepared by Category 5 Engineering Services, Inc., signed and sealed by Emma T. Mellinger, P.E.

B. TESTS

1. Test reports on:
 - 1) Air Infiltration Test, per FBC, TAS 202-94
 - 2) Uniform Static Air Pressure Test, Loading per FBC TAS 202-94
 - 3) Water Resistance Test, per FBC, TAS 202-94
 - 4) Large Missile Impact Test per FBC, TAS 201-94
 - 5) Cyclic Wind Pressure Loading per FBC, TAS 203-94along with marked-up drawings and installation diagram of a Rehau's series 4500 white PVC fixed window, prepared by National Certified Testing Laboratories, Test Report No. **NCTL-210-3741-2**, dated 04/28/11, signed and sealed by Gerard J. Ferrara, P.E.

C. CALCULATIONS

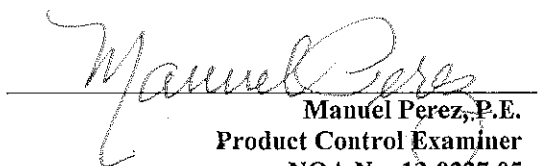
1. Anchor verification calculations and structural analysis complying with **FBC-2010**, dated 06/29/12, prepared by Category 5 Engineering Services, Inc., signed and sealed by Emma T. Mellinger, P.E.
2. Glazing complies with **ASTM E1300-04**

D. QUALITY ASSURANCE

1. Miami-Dade Department of Regulatory and Economic Resources (RER)

E. MATERIAL CERTIFICATIONS

1. Notice of Acceptance No. **11-0624.02** issued to **E.I. DuPont DeNemours & Co., Inc.** for their "**DuPont SentryGlas® Interlayer**" dated 08/25/11, expiring on 01/14/17.
2. Notice of Acceptance No. **11-0601.06**, issued to **REHAU Industries, Inc.**, for their **White Rigid PVC Exterior Extrusions**, approved on 08/11/11, expiring on 06/17/14.


Manuel Perez, P.E.
Product Control Examiner
NOA No. 13-0227.05

Expiration Date: January 16, 2019
Approval Date: January 16, 2014

NOTICE OF ACCEPTANCE: EVIDENCE SUBMITTED

E. MATERIAL CERTIFICATIONS (CONTINUED)

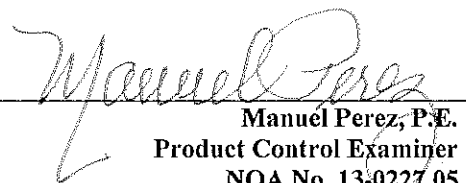
3. Test report No. **B1348.01-106-31**, prepared by Architectural Testing, Inc., dated 08/02/11, issued to REHAU Construction LLC, for their **Glazing Stop** - Part No. **560600** and **Glazing Spline** - Part No. **864992**, both EPDM exterior glazing gaskets evaluated per the following standards:
 - a) **ASTM D 2240** Hardness (Unaged).
 - b) **ASTM D 395** Compression Set.
 - c) **ASTM D 1149** Ozone Resistance.
 - d) **ASTM D 412** Tension Properties of Rubber and Thermoplastic Elastomers.
 - e) **ASTM D 573** Heat Aging.
 - f) **ASTM D 624** Tear Strength.
 - g) **ASTM D 746** Brittleness.
 - h) **ASTM D 925** Non Staining.
 - i) **ASTM C 1166** Flame Propagation.

F. STATEMENTS

1. Statement letter of conformance, complying with **FBC-2010**, dated July 03, 2012, issued by Category 5 Engineering Services, Inc., signed and sealed by Emma T. Mellinger, P.E.
2. Statement letter of no financial interest, dated July 03, 2012, issued by Category 5 Engineering Services, Inc., signed and sealed by Emma T. Mellinger, P.E.
3. Laboratory code compliance statement, dated 04/28/11, issued by National Certified Testing Laboratories for Test Report No. **NCTL-210-3741-2**, signed and sealed by Gerard J. Ferrara, P.E.
4. Manufacturer's Acknowledgement Letter issued by Eurotech Industries, Inc., dated 11/06/13, signed by Angelo Petreccia, President Eurotech Industries.
5. Association Release Letter for Master File #**13-0074** issued by AAMA, dated 12/18/13 and signed by Brad Schultz, Associated Laboratories, Inc. AAMA Administrator/Validator.

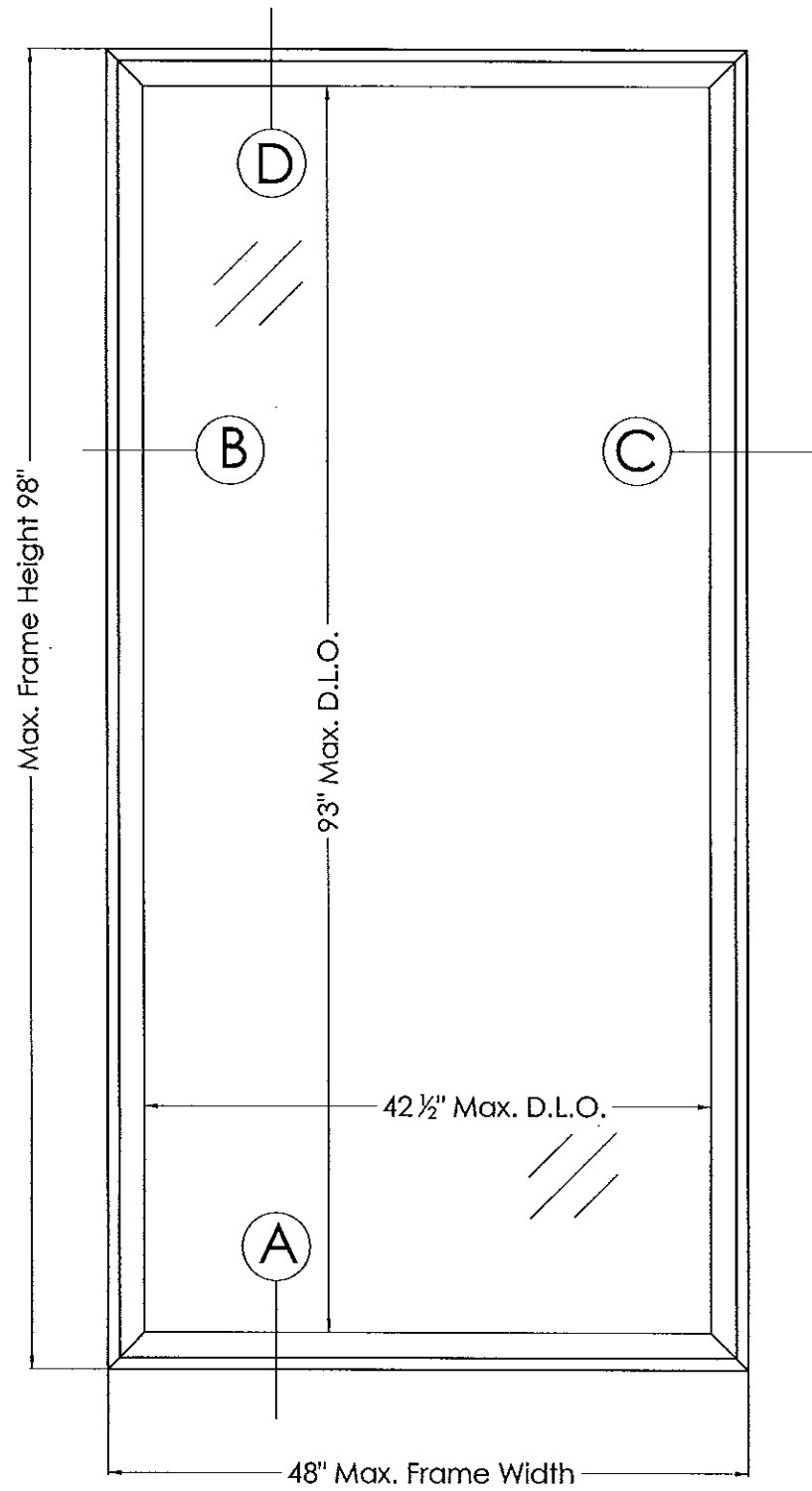
G. OTHER

1. None.


Manuel Perez, P.E.
Product Control Examiner
NOA No. 13-0227.05

Expiration Date: January 16, 2019
Approval Date: January 16, 2014

4500-SERIES FIXED WINDOW (Dry Glazed)
Exterior View



| | |
|-------------------------------|------------------------------|
| DESIGN PRESSURE RATING | MISSILE IMPACT RATING |
| +65 psf, -65 psf | Large Missile Impact |

NOTES

This Product is a Vinyl Fixed Window with Steel Reinforcement, Dry-Glazed with Laminated Insulated Glazing.

White Vinyl Material Meets the Requirements of the 2010 Florida Building Code (HVHZ), and has a Current Miami-Dade County NOA. Non-White Vinyl Material Meets the Requirements of the 2010 Florida Building Code, and Shall be Used Outside of the HVHZ Only.

This Product Has Been Designed and Manufactured to Comply with the Requirements of the 2010 Florida Building Code, including the High Velocity Hurricane Zone (HVHZ).

This Approval Applies to Single Units, or Combinations of Units Installed Either Side of Product-Approved Mullions Meeting the Site-Specific Design Pressure Requirements.

Wood Buck Design by Others: Wood Bucks Shall Adequately Transfer Imposed Loads to the Surrounding Structure.

A Load Duration Increase in Allowable Stress (Cd=1.33) Has Been Used in the Design of Anchors into Wood Only.

Anchors Shall be As Listed, As Shown on Details Herein. Anchor Embedment into Base Substrate Shall be Beyond Wall Dressing or Stucco. Anchor Conditions Not Described Herein are Not Part of This Approval Document, and Shall Require a Site Specific Design Signed and Sealed by A Florida-Registered Professional Engineer.

This Product Meets the Requirements for Large Missile Impact Resistance: Hurricane Shutters Are Not Required.

TABLE OF CONTENTS

| SHEET | DESCRIPTION |
|-------|--|
| 1 | Elevation and General Notes |
| 2 | Anchor Schedule and Installation Notes |
| 3 | Anchor Details |
| 4 | Cross Sections |
| 5 | Glazing Details, Components, and Bill of Materials |
| 6 | Corner Construction |

CATEGORY 5
 Engineering Services, Inc.

1600 S. Federal Highway, #207
 Pompano Beach, FL 33062
 (954) 784-6991 • CA #25854

Emma T. Mellinger, P.E.
 FL PE #50049
 AUG 14 2013

Miami-Dade County Use Only

Approved as complying with the Florida Building Code
 Date: Jan 16, 2014
 NOA# 13-022705
 Miami Dade Product Control
 By: Manuel J. [Signature]

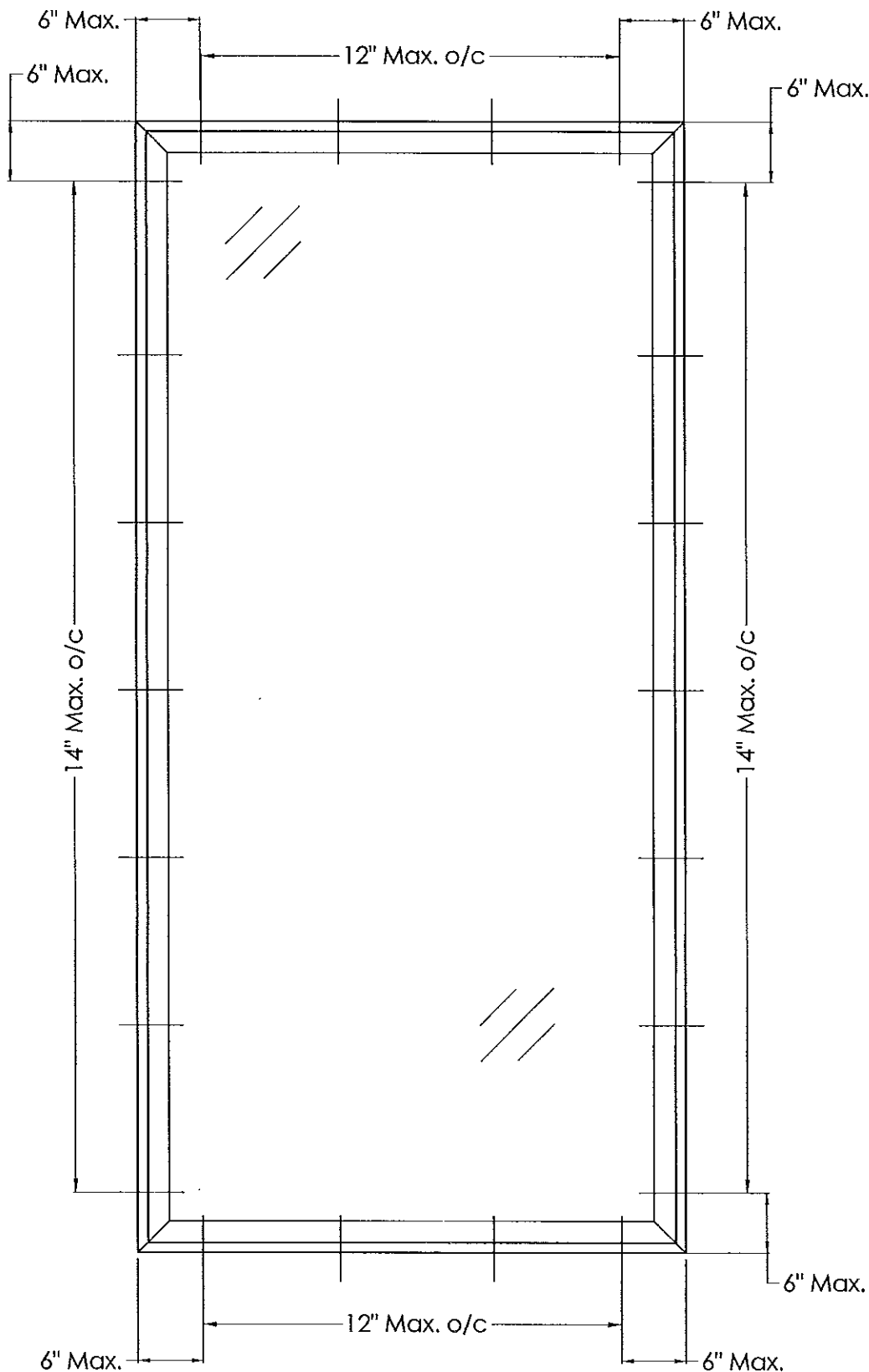
4500-SERIES FIXED WINDOW
 (Dry-Glazed)
Large Missile Impact Resistant

EUROTECH INDUSTRIES, INC.
 250 NE 32nd Street, Fort Lauderdale, FL 33334
 (954) 630-9967 tel. (954) 630-0217 fax.

| | | | | | | | |
|----------------|-----------------|---------|-----------|-----|---------|----|----------------------------|
| DATE: 06/29/12 | SCALE: AS NOTED | BY: ETM | REVISIONS | NO. | DATE | BY | DESCRIPTION |
| | | | | 1 | 7-30-13 | EM | Corrections per Miami-Dade |

DRAWING No. :
 4500FXD001 R1

4500-SERIES FIXED WINDOW (Dry Glazed)
Exterior View



INSTALLATION NOTES

- Anchor Spacing Shall be as Shown in Elevation This Sheet.
- A Structural Shim Shall be Used at Each Anchor Location Where a Gap of $\frac{1}{8}$ -inch or More Exists Between the Window Frame and the Substrate. Such Shims Shall Extend the Entire Depth of the Frame, and be No More than $\frac{1}{4}$ -inch in Thickness. No Shim Space Shall be Allowed When Anchoring to Metal Substrates.
- Anchor Embedments and Edge Distances Indicated Shall be Beyond Wall Dressing or Stucco, into Structural Substrate.
- Wood Bucks Shall Fully Back the Window Frame, Supporting its Entire Depth.
- A 1" x Wood Buck Shall be a Wood Buck Having a Thickness of Less Than $1\frac{1}{2}$ ". 1" Wood Bucks Shall be Optional if the Window Can be installed Directly to the Substrate.
- The Installation of 2" x as well as 1" x Wood Bucks Shall be Engineered by Others, as Approved by the Authority Having Jurisdiction. Wood Bucks Shall be Able to Adequately Transfer the Loads Imposed Upon Them to the Surrounding Structure.

Anchors Shall be of the Following Types:

- **TYPE I:** For Installation into **Concrete Substrates**, Use Approved $\frac{1}{4}$ " ELCO Ultracons of Sufficient Length to Achieve at Least $1\frac{3}{4}$ " Embedment.
- **TYPE II:** For Installation into **CMU Substrates** (Hollow or Grout-Filled), Use Approved $\frac{1}{4}$ " ELCO Ultracons of Sufficient Length to Achieve at Least $1\frac{1}{4}$ " Embedment.
- **TYPE III:** For Installation into **Wood Substrates**, Use #12 Self-Drilling Screws (HILTI Kwik-Flex®), of Sufficient Length to Acheive at Least $1\frac{1}{2}$ " Embedment into Substrate. Vinyl Block Shall be Securely Fixed to Frame at Anchor Points with Construction Adhesive or Silicone Caulking to Support Fasteners.
- **TYPE IV:** For Installation into **Metal Substrates**, at Least $\frac{1}{8}$ " Thick, Use #12 Self-Drilling Screws (HILTI Kwik-Flex®) of Sufficient Length to Achieve a Minimum Penetration through the Metal of Three Full Thread Pitches. Vinyl Block Shall be Securely Fixed to Frame at Anchor Points with Construction Adhesive or Silicone Caulking to Support Fasteners. Where Metal Substrates are Less Than $\frac{1}{8}$ " Thick, 2" x PT Wood Bucks Shall be Designed by Others, and Installation Shall be Made to Such Bucks in Accordance with This Document.

CATEGORY 5
 Engineering Services, Inc.

1600 S. Federal Highway, #207
 Pompano Beach, FL 33062
 (954) 784-6991 • CA #25854

Emma T. Mellinger, P.E.
 FL PE #50049
 AUG 14 2013

Approved as complying with the
 Florida Building Code
 Date: Jan 16, 2014
 NOA# 13-0227-05
 Miami Dade Product Control
 By: Manuel Perez

4500-SERIES FIXED WINDOW
 (Dry-Glazed)
Large Missile Impact Resistant

EUROTECH INDUSTRIES, INC.

250 NE 32nd Street, Fort Lauderdale, FL 33334
 (954) 630-9967 tel. (954) 630-0217 fax.

DATE: 06/29/12

SCALE: AS NOTED

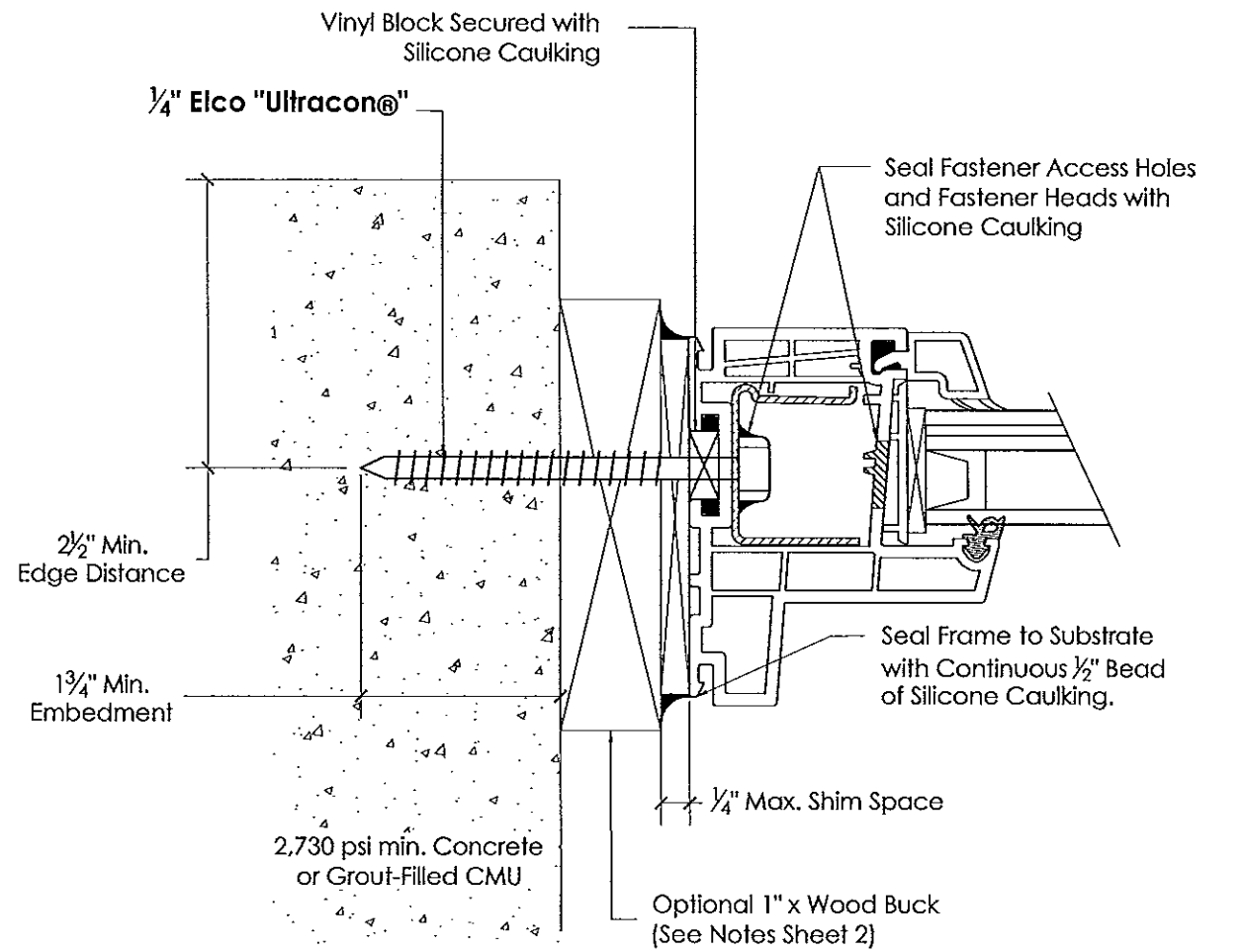
BY: ETM

REVISIONS

| NO. | DATE | BY | DESCRIPTION |
|-----|---------|----|----------------------------|
| 1 | 7-30-13 | EM | Corrections per Miami-Dade |

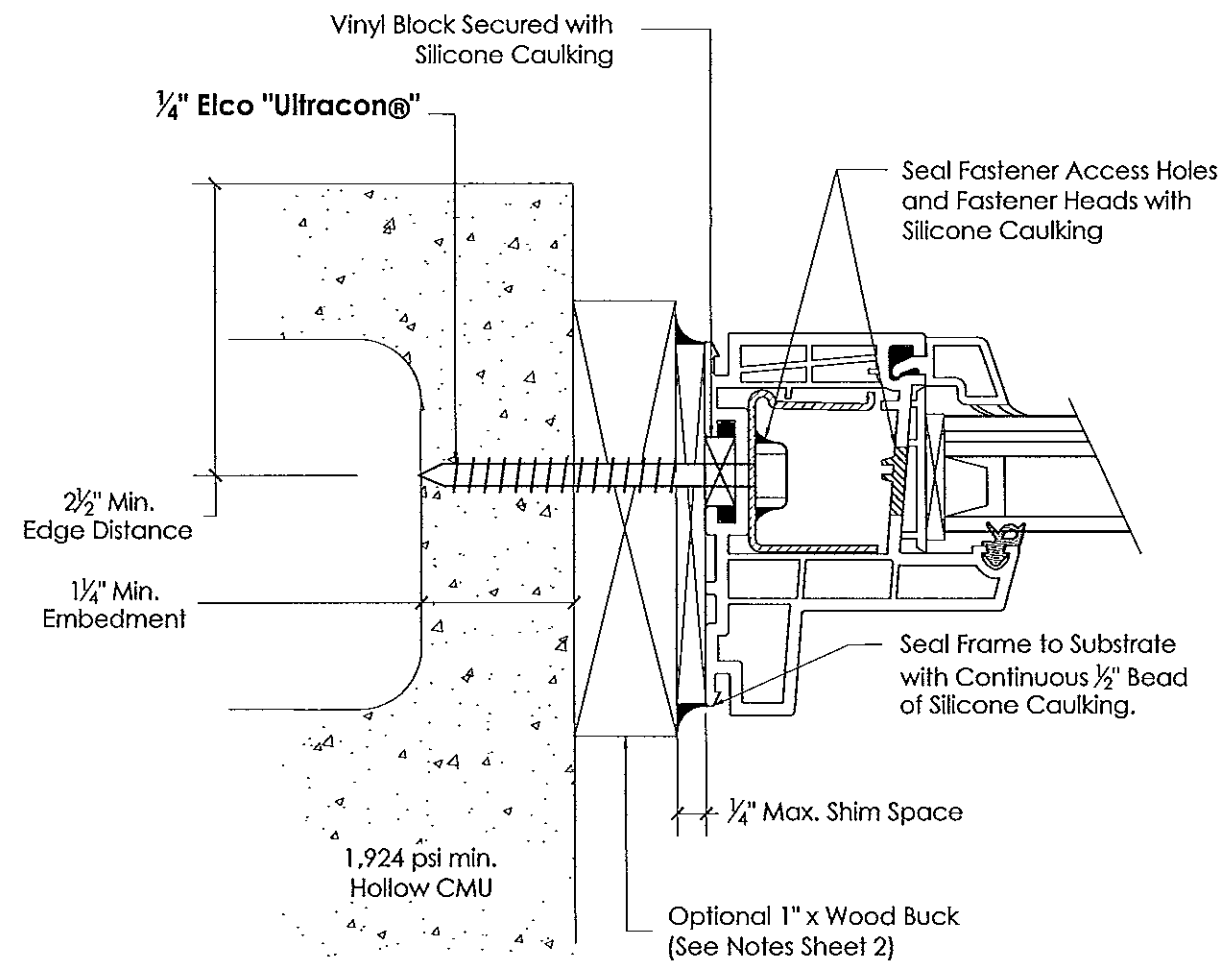
DRAWING No. :
 4500FXD001 R1

Sheet 2 of 6



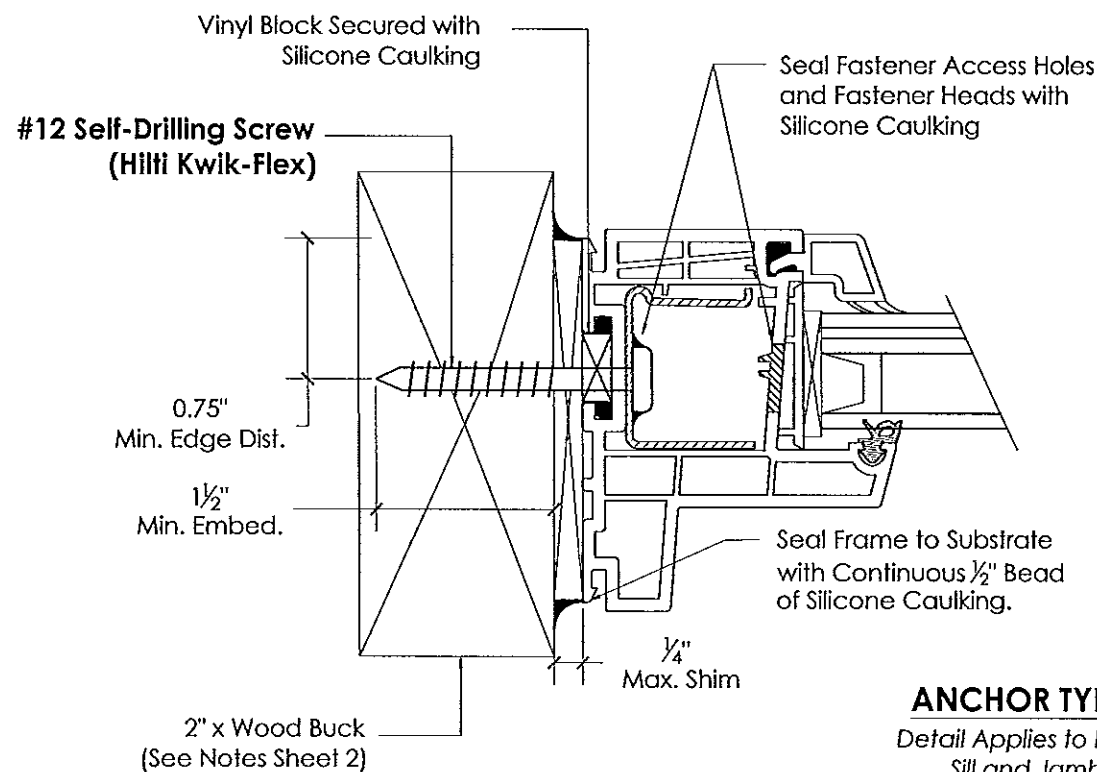
ANCHOR TYPE I

Detail Applies to Head, Sill and Jambs



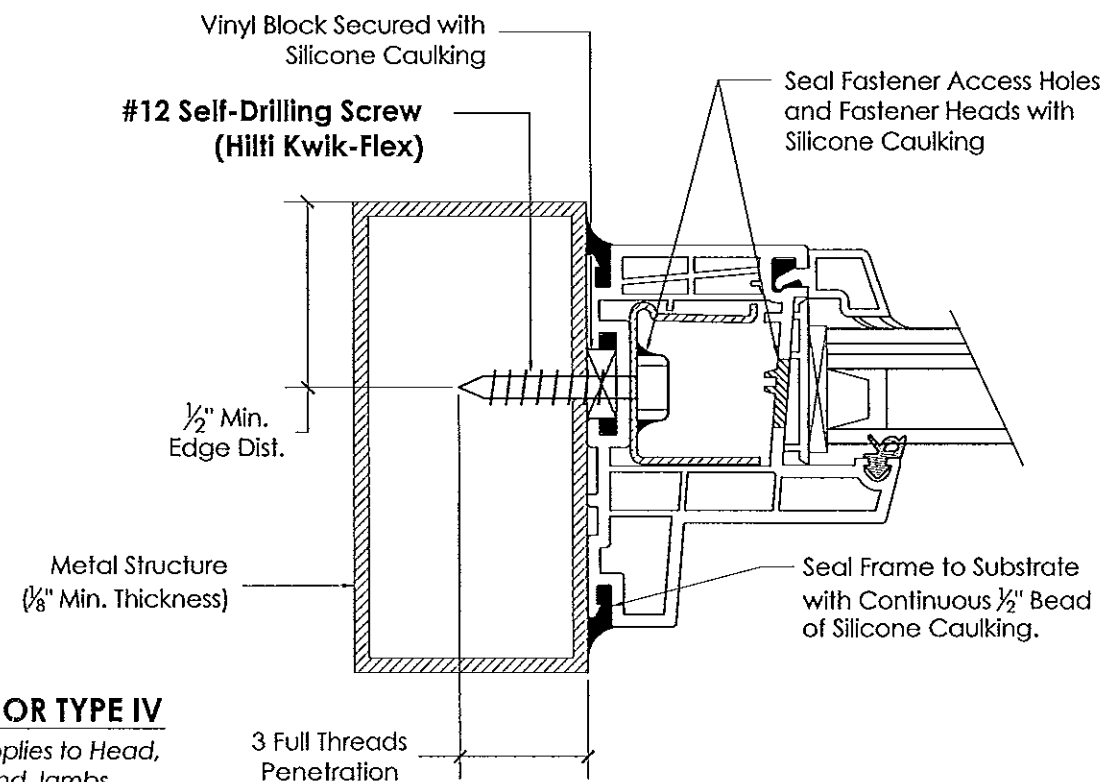
ANCHOR TYPE II

Detail Applies to Head, Sill and Jambs



ANCHOR TYPE III

Detail Applies to Head, Sill and Jambs



ANCHOR TYPE IV

Detail Applies to Head, Sill and Jambs

CATEGORY 5
Engineering Services, Inc.

1600 S. Federal Highway, #207
Pompano Beach, FL 33062
(954) 784-6991 • CA #25854

Emma T. Mellinger, P.E.
FL PE #50049
AUG 14 2013

Miami-Dade County Use Only

Approved as complying with the Florida Building Code
Date: Jan 16, 2014
NOA# 13-0221.05
Miami Dade Product Control

By: *Manuel Perez*

4500-SERIES FIXED WINDOW
(Dry-Glazed)

Large Missile Impact Resistant

EUROTECH INDUSTRIES, INC.

250 NE 32nd Street, Fort Lauderdale, FL 33334
(954) 630-9967 tel. (954) 630-0217 fax.

DATE: 06/29/12

SCALE: AS NOTED

BY: ETM

REVISIONS

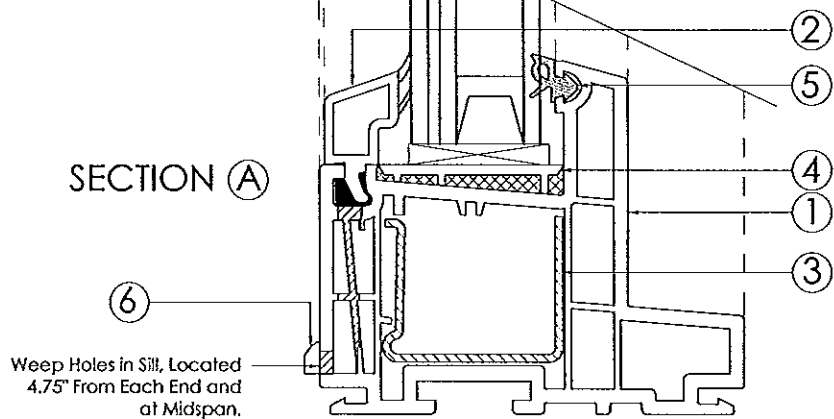
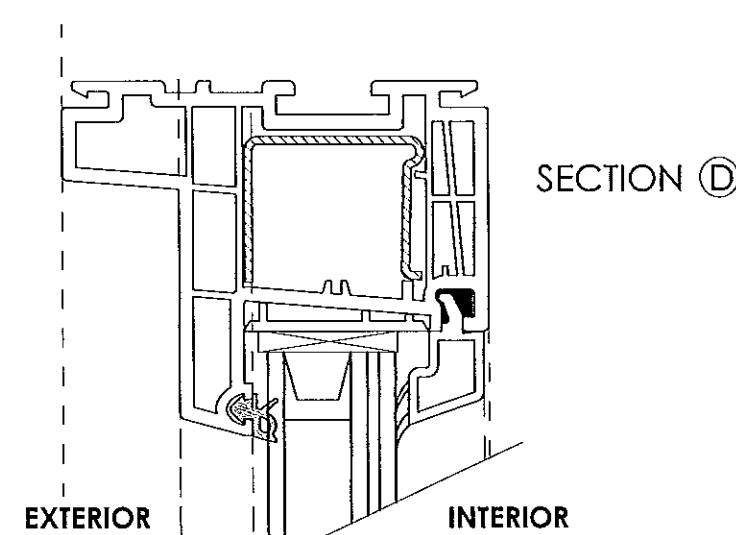
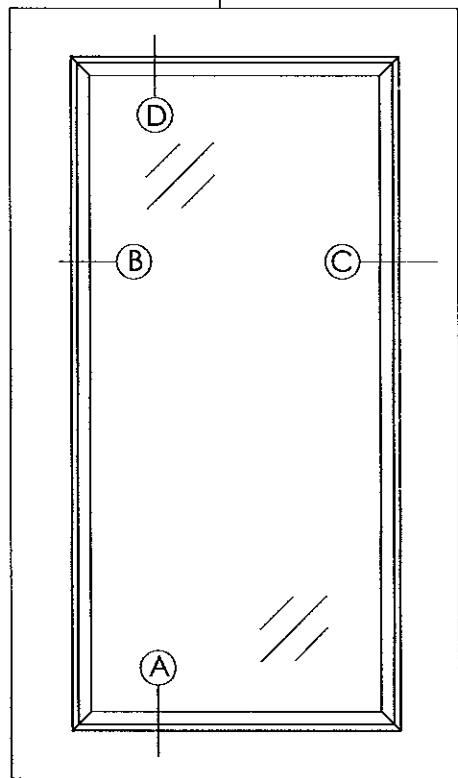
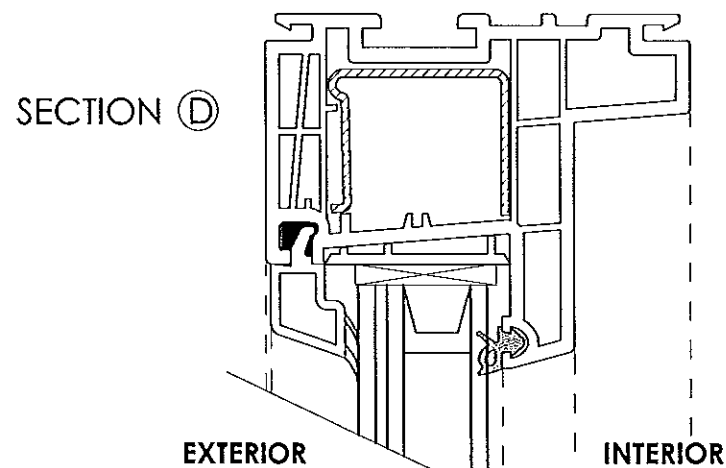
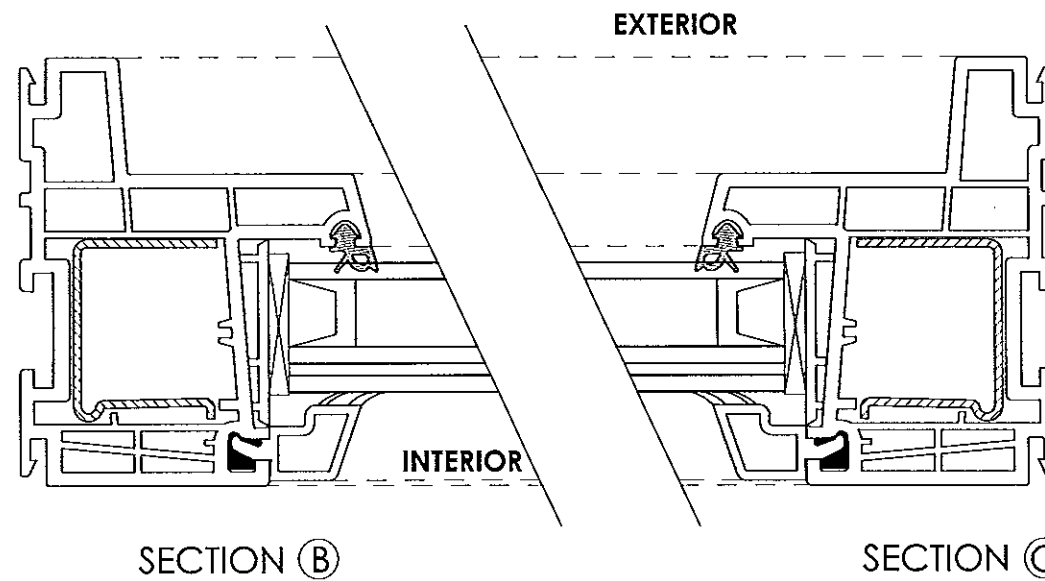
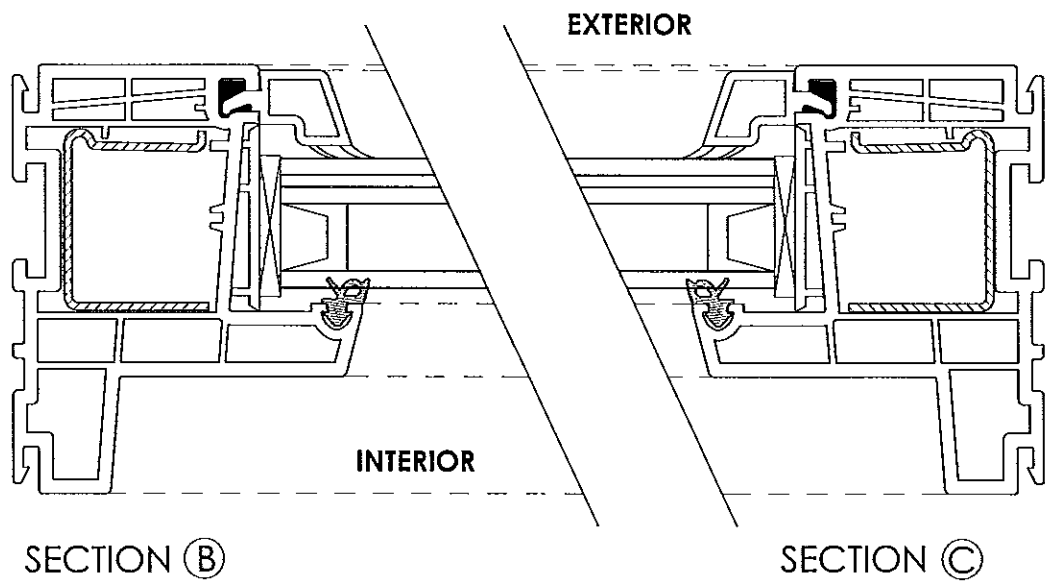
| NO. | DATE | DESCRIPTION |
|-----|---------|----------------------------|
| 1 | 7-30-13 | EM |
| | | Corrections per Miami-Dade |

DRAWING No. :
4500FXD001 R1

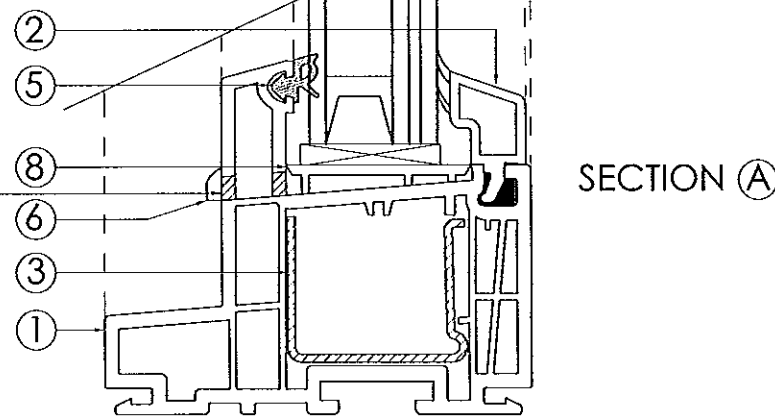
Sheet 3 of 6

**External Glazing
Option Shown**

**Internal Glazing
Option Shown**



Weep Holes in Sill, Located 4.75" From Each End and at Midspan.



CATEGORY 5
Engineering Services, Inc.

1600 S. Federal Highway, #207
Pompano Beach, FL 33062
(954) 784-6991 • CA #25854

Emma T. Mellinger, P.E.
FL PE #50049
AUG 14 2013

Miami-Dade County Use Only

Approved as complying with the
Florida Building Code
Date: JAN 16 2014
NOAH 13-022705
Miami Dade Product Control

By: *Manuel Perez*

4500-SERIES FIXED WINDOW
(Dry-Glazed)

Large Missile Impact Resistant

EUROTECH INDUSTRIES, INC.

250 NE 32nd Street, Fort Lauderdale, FL 33334
(954) 630-9967 tel. (954) 630-0217 fax.

DATE: 06/29/12

SCALE: AS NOTED

BY: ETM

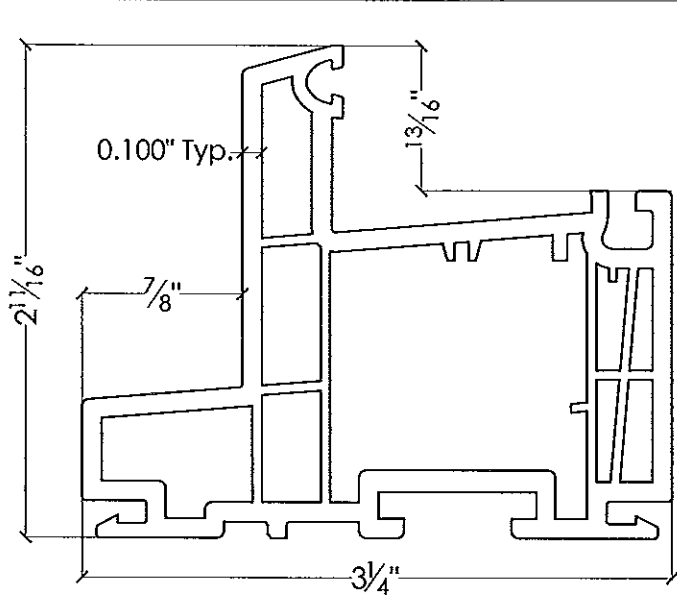
REVISIONS

| NO. | DATE | BY | DESCRIPTION |
|-----|---------|----|----------------------------|
| 1 | 7-30-13 | EM | Corrections per Miami-Dade |

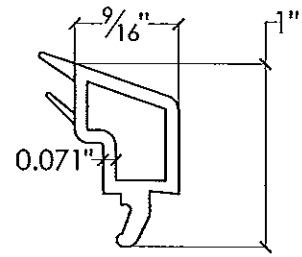
DRAWING No. :
4500FXD001 R1

Sheet 4 of 6

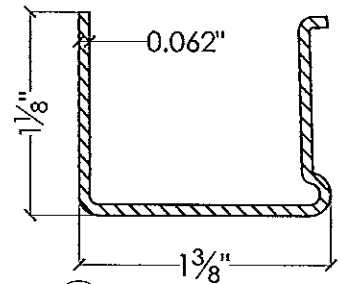
COMPONENTS AND BILL OF MATERIALS



① Frame

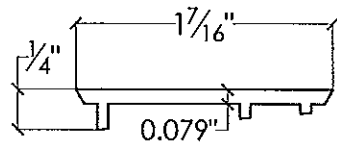


② Glazing Stop

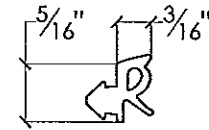


③ Reinforcement

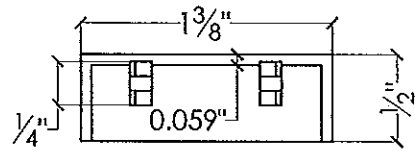
| ITEM # | PART # | DESCRIPTION | MATERIAL | VENDOR |
|--------|-----------|----------------------------|-------------|--------------------------|
| 1 | 601205 | Frame | Vinyl | Rehau Industries, Inc. |
| 2 | 560600 | Glazing Stop | Vinyl | Rehau Industries, Inc. |
| 3 | 244506 | Reinforcement | Galv. Steel | Rehau Industries, Inc. |
| 4 | 541220 | Sloped Glazing Shim | Vinyl | Rehau Industries, Inc. |
| 5 | 864992 | Glazing Spline | EPDM | Rehau Construction, LLC. |
| 6 | 261582 | Drain Cover Caps | Vinyl | Rehau Industries, Inc. |
| 7 | 13856-034 | Plug Buttons | Vinyl | Ashland |
| 8 | 268651 | Shim Support (Vinyl Block) | Vinyl | Rehau Industries, Inc. |



④ Sloped Glazing Shim
Note: only for externally glazed orientation



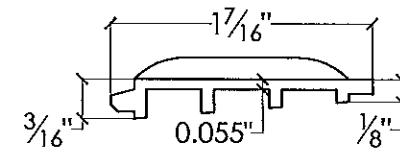
⑤ Glazing Spline



⑥ Drain Cover Cap



⑦ Plug Button

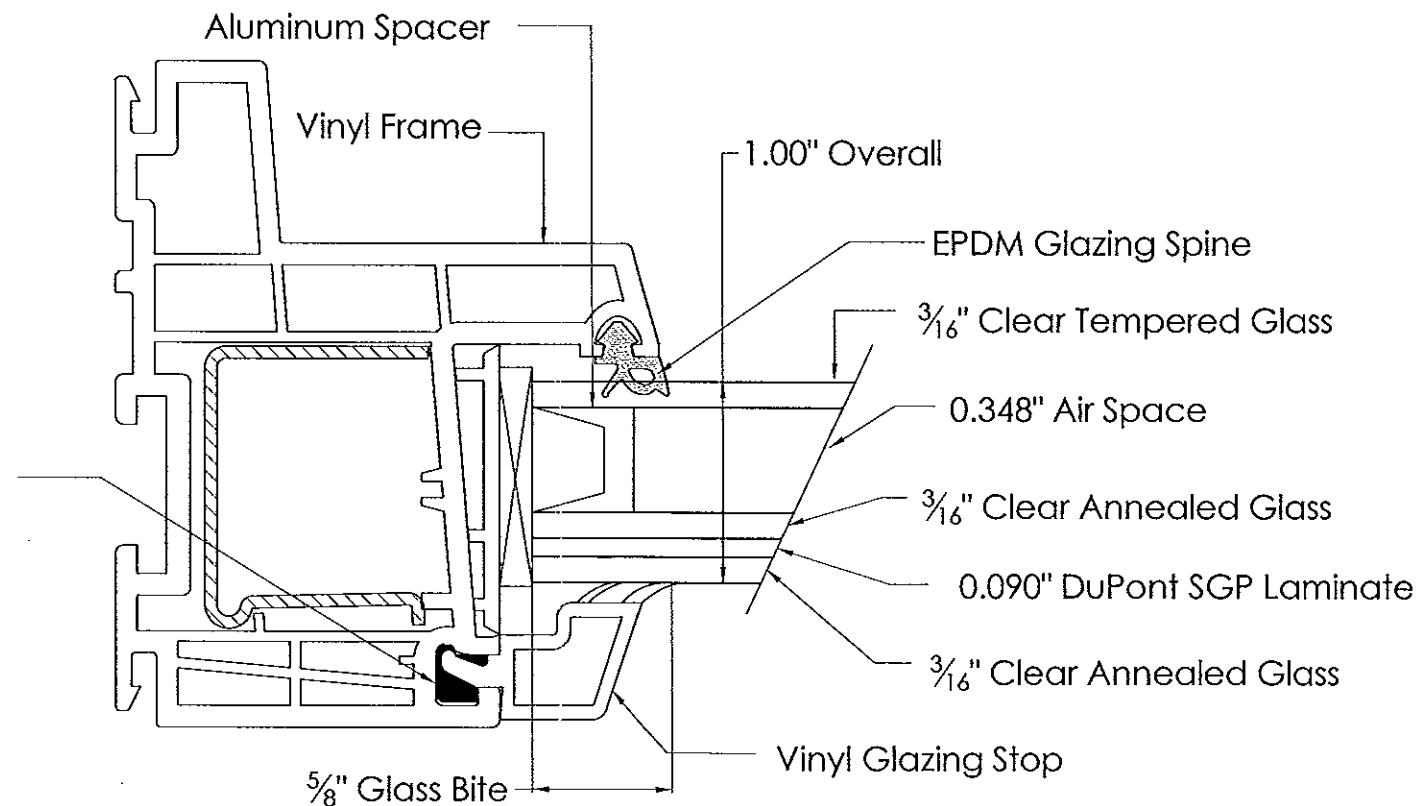


⑧ Shim Support

GLAZING DETAIL

NOTE: Window frame may be oriented so that either side faces the exterior. The laminated layer is always against the glazing stop.

Weiss Adhesive COSMOFEN VKD 874
(Pea-sized amount spaced every 7/8" around perimeter)



CATEGORY 5
Engineering Services, Inc.

1600 S. Federal Highway, #207
Pompano Beach, FL 33062
(954) 784-6991 • CA #25854

Emma T. Mellinger, P.E.
FL PE #50049
AUG 14 2013

Miami-Dade County Use Only

Approved as complying with the
Florida Building Code
Date: Jan 16, 2014
NOA# 13-0727-05
Miami Dade Product Control

By: *Manuel Perez*

4500-SERIES FIXED WINDOW
(Dry-Glazed)

Large Missile Impact Resistant

EUROTECH INDUSTRIES, INC.

250 NE 32nd Street, Fort Lauderdale, FL 33334
(954) 630-9967 tel. (954) 630-0217 fax.

DATE: 06/29/12

SCALE: AS NOTED

BY: ETM

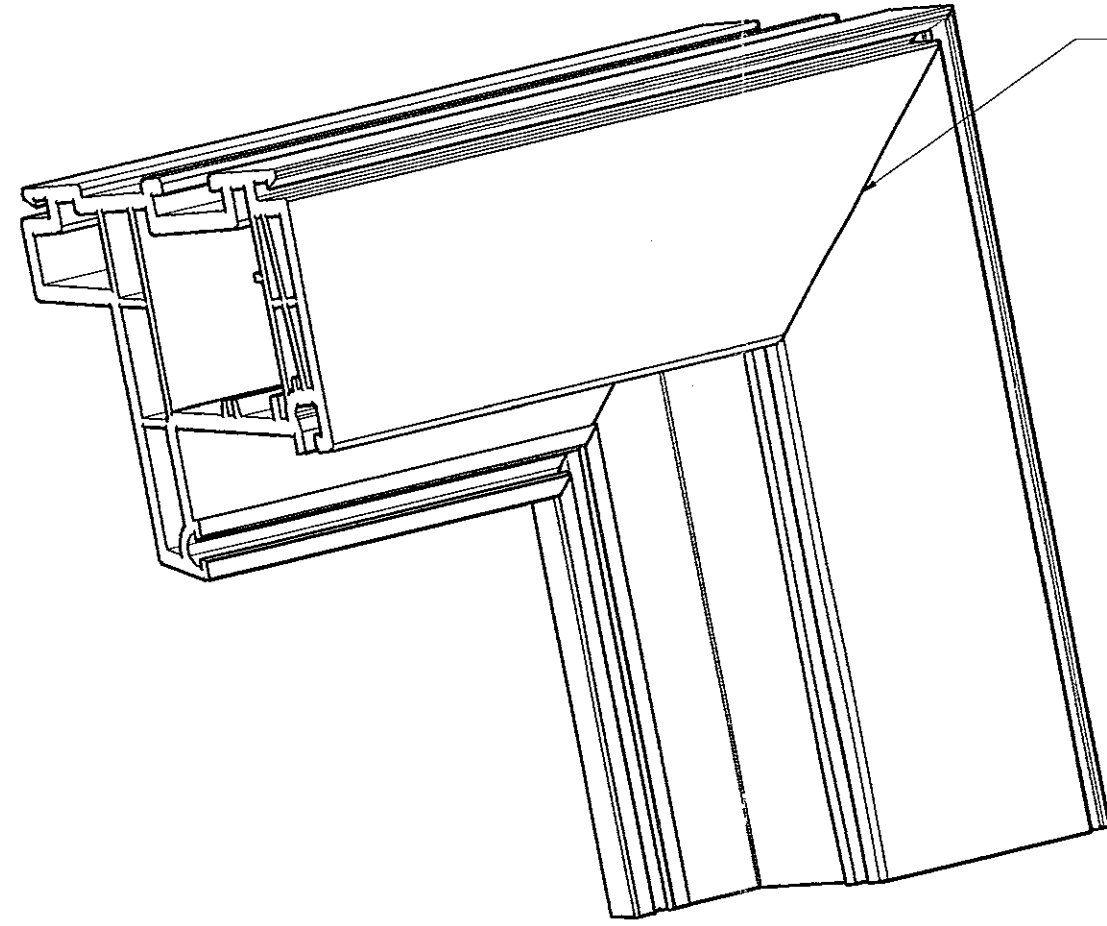
REVISIONS

| NO. | DATE | BY | DESCRIPTION |
|-----|---------|----|----------------------------|
| 1 | 7-23-13 | EM | Corrections per Miami-Dade |

DRAWING No. :

4500FXD001 R1

Sheet 5 of 6



Miter-Cut
Welded Corner

FRAME DETAIL

CATEGORY 5
Engineering Services, Inc.

1600 S. Federal Highway, #207
Pompano Beach, FL 33062
(954) 784-6991 • CA #25854

Emma T. Mellinger, P.E.
FL PE #50049
AUG 14 2013

Miami-Dade County Use Only

approved as complying with the
Florida Building Code
Date JAN 16 2014
NOA# 13-022705
Miami Dade Product Control
By Manuel Perez

4500-SERIES FIXED WINDOW
(Dry-Glazed)
Large Missile Impact Resistant

EUROTECH INDUSTRIES, INC.
250 NE 32nd Street, Fort Lauderdale, FL 33334
(954) 630-9967 tel. (954) 630-0217 fax.

| | | | | | | | |
|--------------------|-----------------|---------|-----------|-----|---------|----|----------------------------|
| DATE: 06 / 29 / 12 | SCALE: AS NOTED | BY: ETM | REVISIONS | NO. | DATE | BY | DESCRIPTION |
| | | | | 1 | 7-30-13 | JT | Corrections per Miami-Dade |

DRAWING No. :
4500FXD001 R1