



DEPARTMENT OF REGULATORY AND ECONOMIC RESOURCES (RER)
BOARD AND CODE ADMINISTRATION DIVISION

NOTICE OF ACCEPTANCE (NOA)

MIAMI-DADE COUNTY
PRODUCT CONTROL SECTION
11805 SW 26 Street, Room 208
Miami, Florida 33175-2474
T (786) 315-2590 F (786) 315-2599
www.miamidade.gov/economy

DAB Door Company, Inc.
12195 NW 98th Avenue
Hialeah Gardens, FL 33018

SCOPE:

This NOA is being issued under the applicable rules and regulations governing the use of construction materials. The documentation submitted has been reviewed and accepted by Miami-Dade County RER-Product Control Section to be used in Miami Dade County and other areas where allowed by the Authority Having Jurisdiction (AHJ).

This NOA shall not be valid after the expiration date stated below. The Miami-Dade County Product Control Section (In Miami Dade County) and/or the AHJ (in areas other than Miami Dade County) reserve the right to have this product or material tested for quality assurance purposes. If this product or material fails to perform in the accepted manner, the manufacturer will incur the expense of such testing and the AHJ may immediately revoke, modify, or suspend the use of such product or material within their jurisdiction. RER reserves the right to revoke this acceptance, if it is determined by Miami-Dade County Product Control Section that this product or material fails to meet the requirements of the applicable building code.

This product is approved as described herein, and has been designed to comply with the Florida Building Code, including the High Velocity Hurricane Zone.

DESCRIPTION: Series 1200 Hurricane Master® Steel Roll-up Garage Door up to 12'-6" Wide

APPROVAL DOCUMENT: Drawing No. 12-04, titled "Rolling Type Garage Door", sheets 1 through 4 of 4, dated 06/22/2012, with revision A dated 05/17/2013, prepared by Al-Farooq Corporation, signed and sealed by Javad Ahmad, P.E., bearing the Miami-Dade County Product Control approval stamp with the Notice of Acceptance number and approval date by the Miami-Dade County Product Control Section.

MISSILE IMPACT RATING: Large and Small Missile Impact Resistant

LABELING: A permanent label with the manufacturer's name or logo, manufacturing address, model number, the positive and negative design pressure rating, indicate impact rated if applicable, installation instruction drawing reference number, approval number (NOA), the applicable test standards, and the statement reading 'Miami-Dade County Product Control Approved' is to be located on the door's side track, bottom angle, or inner surface of a panel.

RENEWAL of this NOA shall be considered after a renewal application has been filed and there has been no change in the applicable building code negatively affecting the performance of this product.

TERMINATION of this NOA will occur after the expiration date or if there has been a revision or change in the materials, use, and/or manufacture of the product or process. Misuse of this NOA as an endorsement of any product, for sales, advertising or any other purposes shall automatically terminate this NOA. Failure to comply with any section of this NOA shall be cause for termination and removal of NOA.

ADVERTISEMENT: The NOA number preceded by the words Miami-Dade County, Florida, and followed by the expiration date may be displayed in advertising literature. If any portion of the NOA is displayed, then it shall be done in its entirety.

INSPECTION: A copy of this entire NOA shall be provided to the user by the manufacturer or its distributors and shall be available for inspection at the job site at the request of the Building Official.

This NOA consists of this page 1 and evidence page E-1, as well as approval document mentioned above. The submitted documentation was reviewed by Carlos M. Utrera, P.E.



Utrera
11/14/2013

NOA No. 13-0326.03
Expiration Date: November 21, 2018
Approval Date: November 21, 2013
Page 1

NOTICE OF ACCEPTANCE: EVIDENCE SUBMITTED

A. DRAWINGS

1. Drawing No. **12-04**, titled "Rolling Type Garage Door", sheets 1 through 4 of 4, dated 06/22/2012, with revision A dated 05/17/2013, prepared by Al-Farooq Corporation, signed and sealed by Javad Ahmad, P.E.

B. TESTS

1. Test reports on 1) Uniform Static Air Pressure Test, Loading per FBC, TAS 202-94
2) Forced Entry Test, per SFBC 3603.2,
along with marked-up drawings and installation diagram of 24 Gauge Rolling Steel Door, prepared by Hurricane Engineering & Testing, Inc., Test Report No. **HETI-12-4047**, dated 06/29/2012, signed and sealed by Rafael E. Droz-Seda, P.E.
2. Test reports on 1) Large Missile Impact Test per FBC, TAS 201-94
2) Cyclic Wind Pressure Loading per FBC, TAS 203-94
along with marked-up drawings and installation diagram of 24 Gauge Rolling Steel Doors, prepared by Hurricane Engineering & Testing, Inc., Test Report No. **HETI-12-4048**, dated 06/29/2012 and revised on 07/23/2013, signed and sealed by Rafael E. Droz-Seda, P.E.
3. Test report on Tensile Test of 24 Gauge Galvanized Steel per ASTM E 8, prepared by Hurricane Engineering & Testing, Inc, Test Report No. **HETI-12-T114**, dated on 06/29/2012, signed and sealed by Rafael E. Droz-Seda, P.E.

C. CALCULATIONS

1. Calculations of Series 12'-6" Rolling Steel Door, prepared by Al-Farooq Corporation, dated 08/14/2012, signed and sealed by Javad Ahmad, P.E.

D. QUALITY ASSURANCE

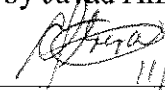
1. Miami-Dade Department of Regulatory and Economic Resources (RER)

E. MATERIAL CERTIFICATIONS

1. None.

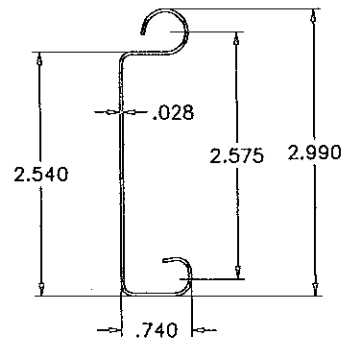
F. STATEMENTS

1. Statement letter of code conformance to 2010 FBC and no financial interest, prepared by Al-Farooq Corporation, dated 08/03/2012, signed and sealed by Javad Ahmad, P.E.


11/14/2013

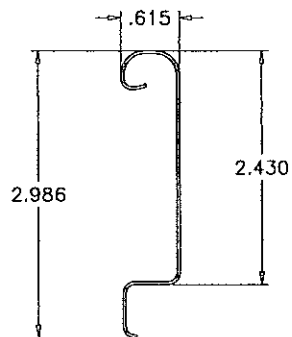
Carlos M. Utrera, P.E.
Product Control Examiner
NOA No. 13-0326.03

Expiration Date: November 21, 2018
Approval Date: November 21, 2013



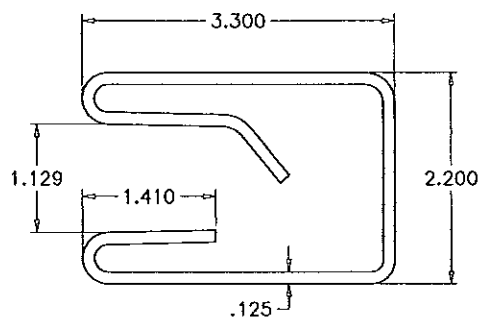
SLAT

24 GA. COLD FORMED STEEL (STANDARD)
GALVANIZED ACCORDING TO ASTM A-525
WITH A COATING DESIGNATION OF G-90
EXTERIOR AND INTERIOR
ASTM A653, Fy = 58 KSI, Fu = 70 KSI



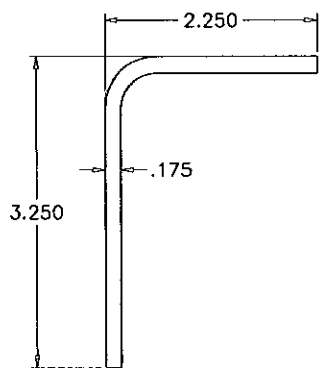
INSULATED SLAT COVER (OPTIONAL)

24 GA. COLD FORMED STEEL (STANDARD)
ASTM A36, Fy = 36 KSI, Fu = 58 KSI



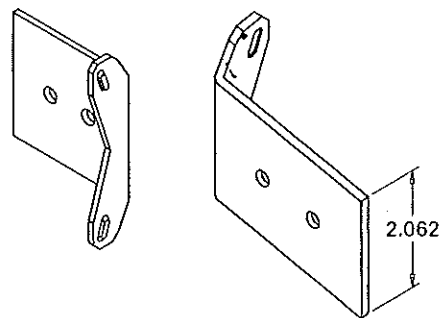
TRACK

11 GA. HOT ROLL STEEL (STANDARD)
ASTM A36, Fy = 36 KSI, Fu = 58 KSI



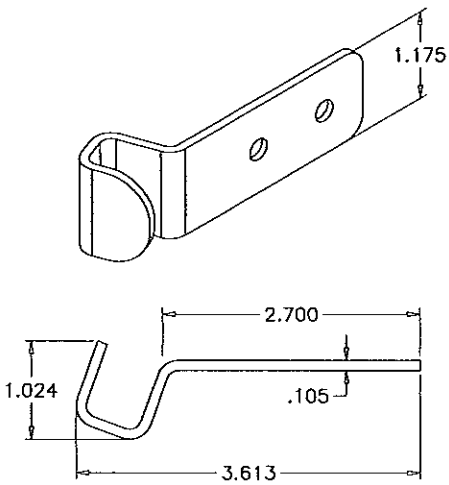
MOUNTING ANGLE 'A'

8 GA. HOT ROLL STEEL (STANDARD)
ASTM A36, Fy = 36 KSI, Fu = 58 KSI



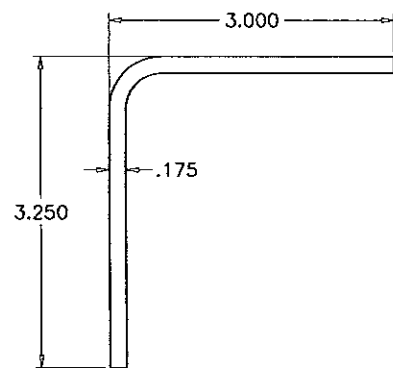
WIND LOCK 'A'

14 GA. COLD FORMED GALV. STEEL (STANDARD)
ASTM A36, Fy = 36 KSI, Fu = 58 KSI



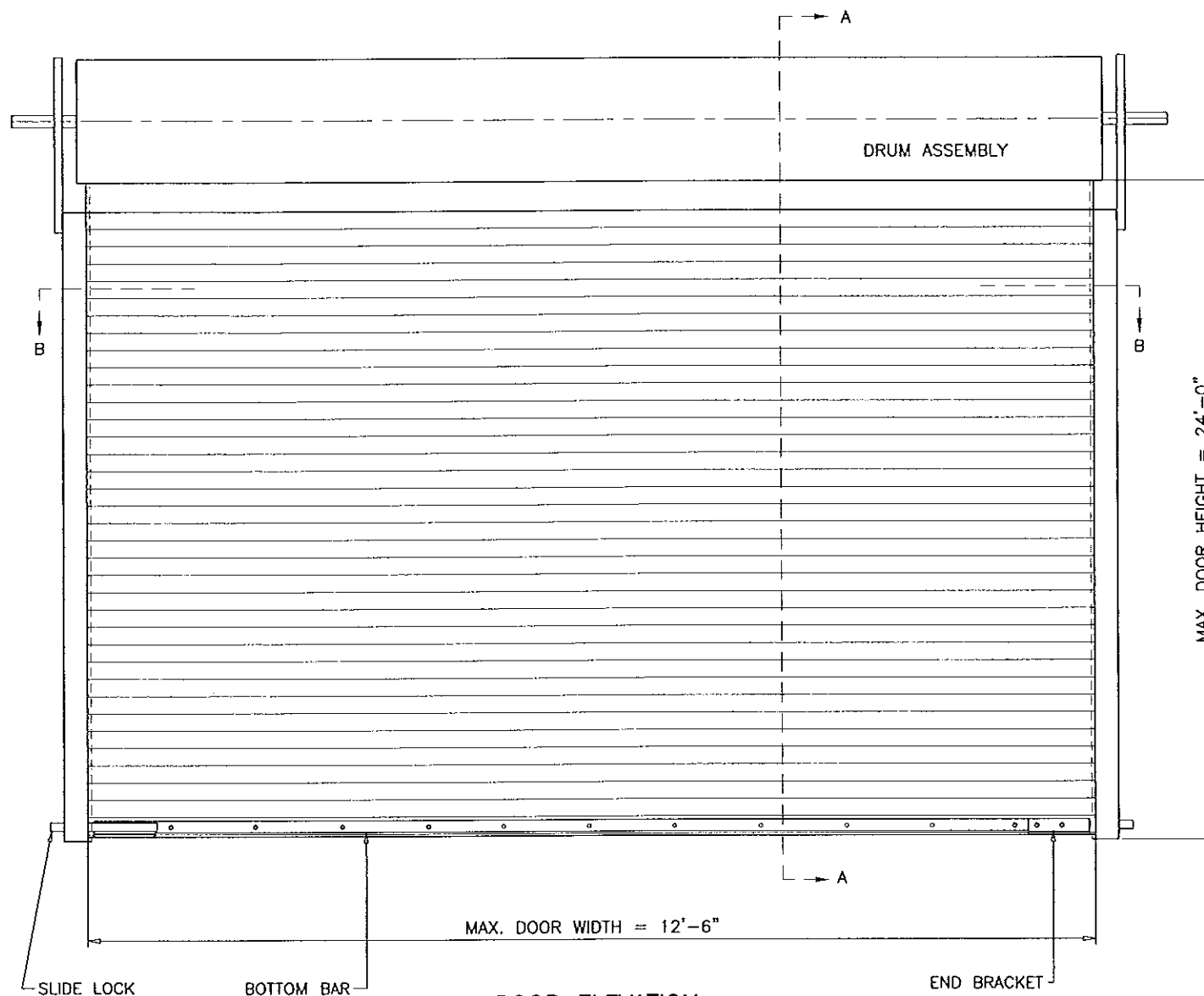
WIND LOCK 'B'

12 GA. HOT ROLL GALV. STEEL (STANDARD)
ASTM A36, Fy = 36 KSI, Fu = 58 KSI



MOUNTING ANGLE 'B'

8 GA. HOT ROLL STEEL (STANDARD)
ASTM A36, Fy = 36 KSI, Fu = 58 KSI



DOOR ELEVATION
INTERIOR OR EXTERIOR

STORM MASTER™
Flat Slat Rolling Steel Door Series 1200
Max. Size 12'-6" X 24' High
www.hurricanemaster.com

MAXIMUM DESIGN LOAD RATING = + 60.0 PSF
(FOR SIZES SHOWN OR SMALLER) **- 60.0 PSF**

THIS PRODUCT IS RATED FOR LARGE MISSILE IMPACT

Engr: JAVAD AHMAD
CIVIL
FLA. PE # 70592
C.A.N. 3538

Approved as complying with the
Florida Building Code
Date 11/21/2013
NOAH# 13-0326-03
Miami Dade Product Control

By *[Signature]*

001 2 9 2013

GENERAL NOTES

1. THIS PRODUCT HAS BEEN DESIGNED AND TESTED TO COMPLY WITH THE REQUIREMENTS OF THE FLORIDA BUILDING CODE INCLUDING HIGH VELOCITY HURRICANE ZONE (HVHZ).
2. ANCHORS SHALL BE AS LISTED, SPACED AS SHOWN ON DETAILS. ANCHOR EMBEDMENT TO BASE MATERIAL SHALL BE BEYOND WALL DRESSING OR STUCCO.
3. GUIDE AND WALL ANGLES SHALL CONFORM TO ASTM A-36.
4. ALL BOLTS, NUTS AND WASHERS SHALL BE ZINC PLATED CARBON STEEL.
5. ANCHORING OR LOADING CONDITIONS OTHER THAN THOSE SHOWN IN THESE DETAILS ARE NOT PART OF THIS APPROVAL.
6. SLIDE BOLT (1/4" THICK LATCH) IS INSTALLED AT EACH END BOTTOM, AND SHALL BE ENGAGED DURING HURRICANE WINDS.
7. ALL WELDING TO CONFORM TO AWS LATEST REGULATIONS AND S.F.B.C. USE E70XX ELECTRODES AND 3/16" FILLET SIZE.
8. DOORS MAY BE INSTALLED ON THE INSIDE OR OUTSIDE OF AN EXTERIOR WALL.

DOOR TESTED IN ACCORDANCE WITH THE REQUIREMENTS OF FLORIDA BUILDING CODE, TAS-202, TAS-201 & TAS-203 FOR HVHZ AND ASTM E1886-05/ASTM E1996-09.

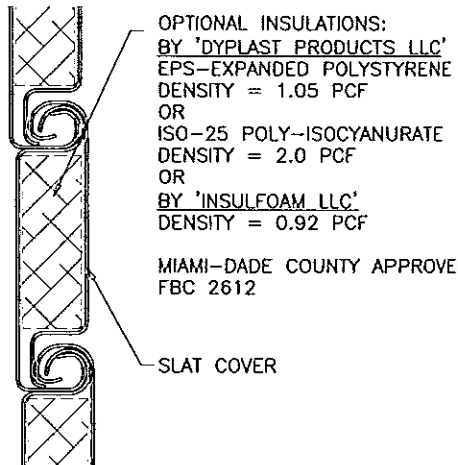
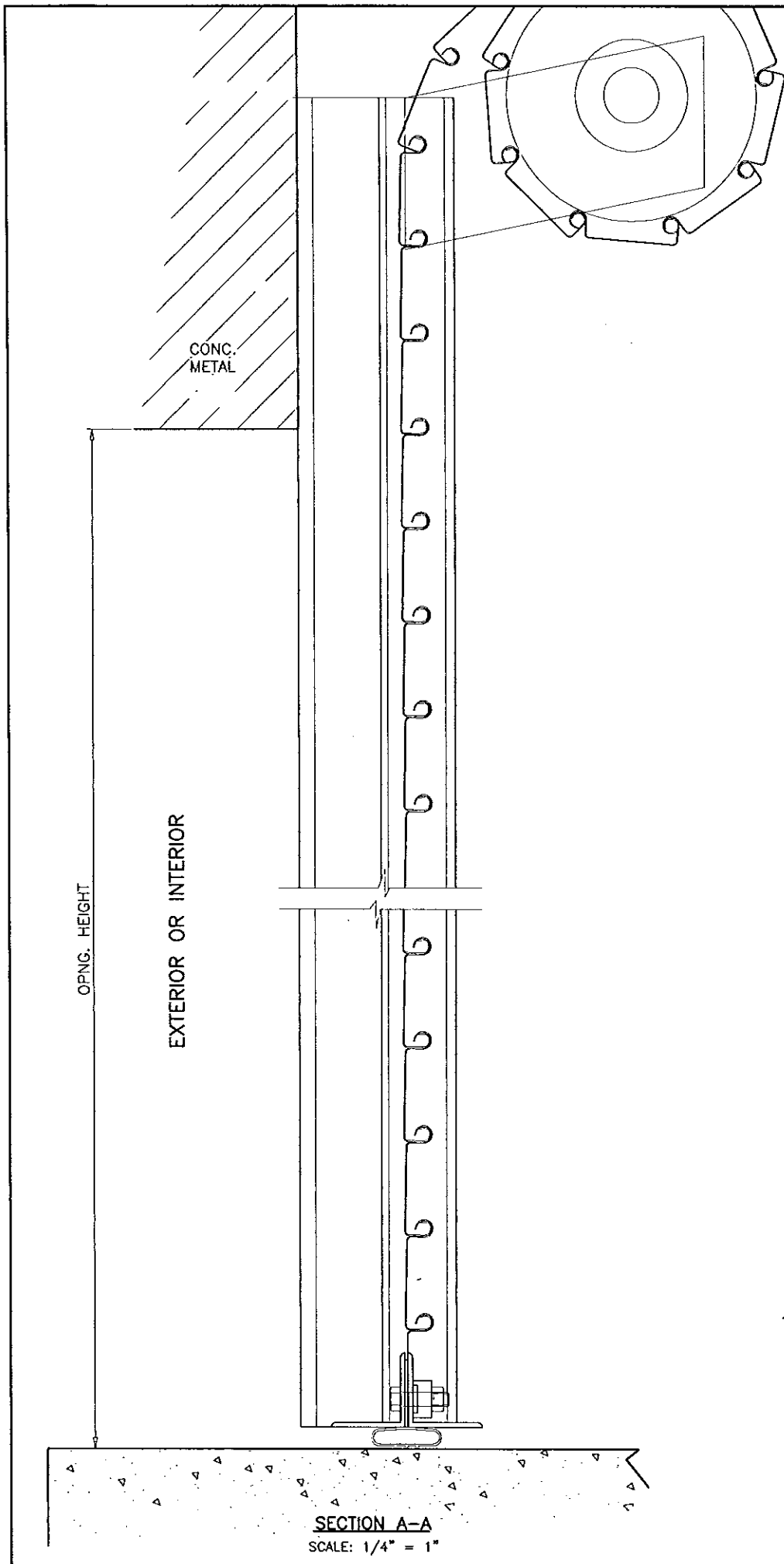
af c
AL-FAROOQ CORPORATION
ENGINEERS & PRODUCT DEVELOPMENT
1235 S.W. 87 AVE
MIAMI, FLORIDA 33174
TEL. (305) 264-8100 FAX. (305) 262-6978
GARAGE\12-04DAB

ROLLING TYPE GARAGE DOOR
DAB DOORS INC.
12195 N.W. 98 TH. AVE.
HIALEAH GARDENS, FL. 33018
TEL. (305) 556 - 6624

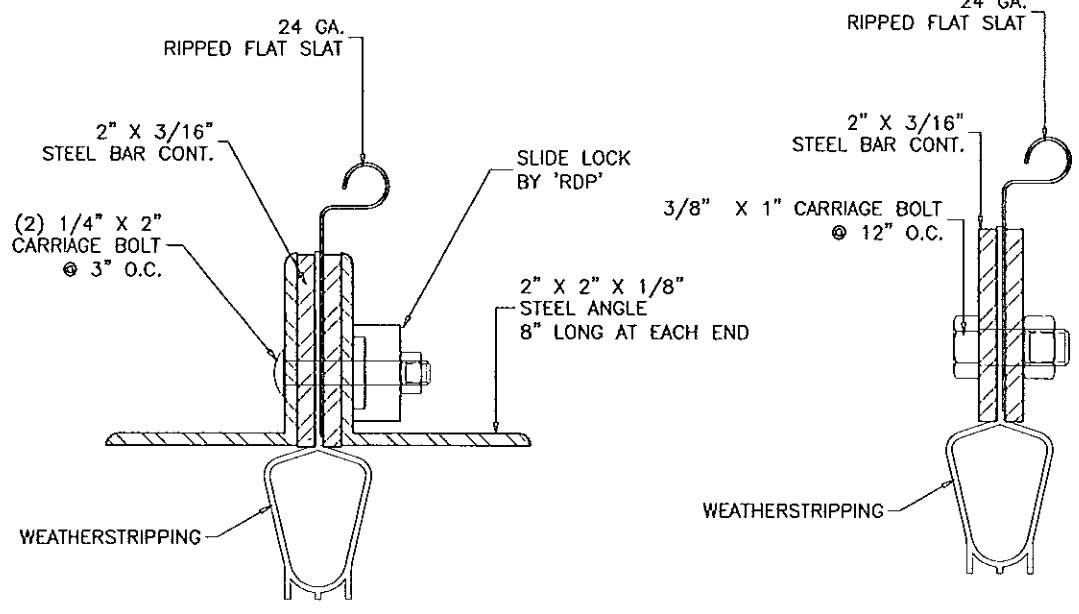
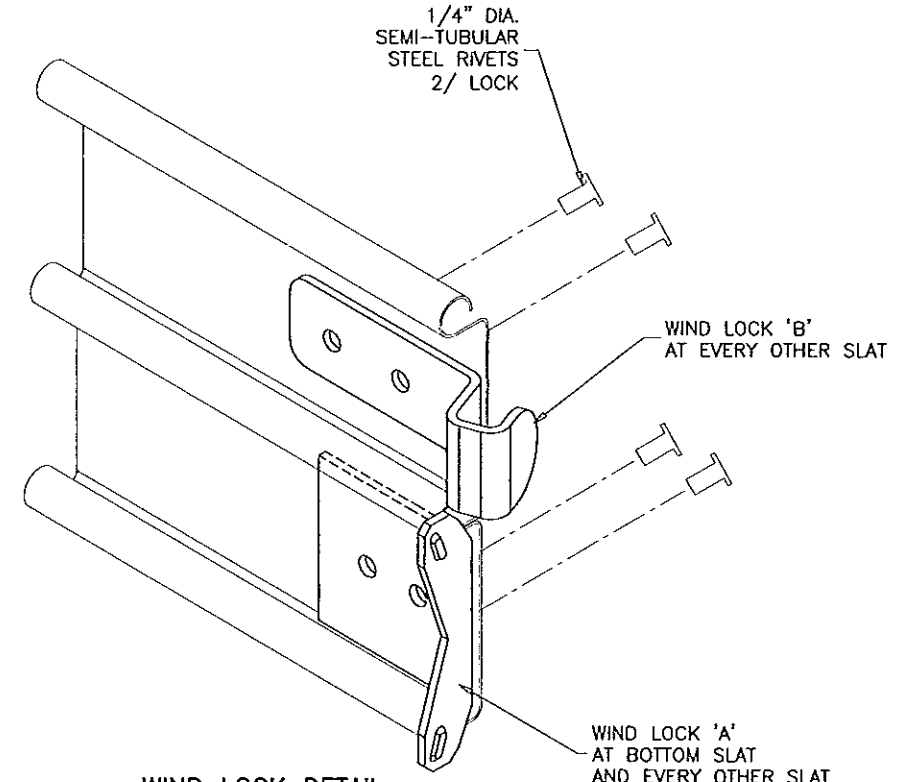
no.	date	by	description
A	05.17.13		REV. PER PER COMMENTS

date: 06-22-12
scale: 1/2" = 1"
dr. by: HAMID
chk. by:

drawing no.
12-04
Sheet 1 of 4



INSULATED SLAT DETAIL
(OPTIONAL)



END BRACKET DETAIL

BOTTOM BAR DETAIL

Engr: JAVAD AHMAD
CIVIL
FLA. PE # 70592
C.A.N. 3538

OCT 24 2013

Approved as complying with the
Florida Building Code
Date 11/21/2013
NOA# 13-0326.03
Miami Dade Product Control

By *[Signature]*

af c

AL-FAROOQ CORPORATION
ENGINEERS & PRODUCT DEVELOPMENT
1235 S.W. 87 AVE
MIAMI, FLORIDA 33174
TEL. (305) 264-8100 FAX. (305) 262-6978
GARAGE\12-04DAB

ROLLING TYPE GARAGE DOOR

DAB DOORS INC.
12195 N.W. 98 TH. AVE.
HIALEAH GARDENS, FL. 33018
TEL. (305) 556 - 6624

Revisions:

no.	date	by	description
A	05.17.13		REV. PER COMMENTS

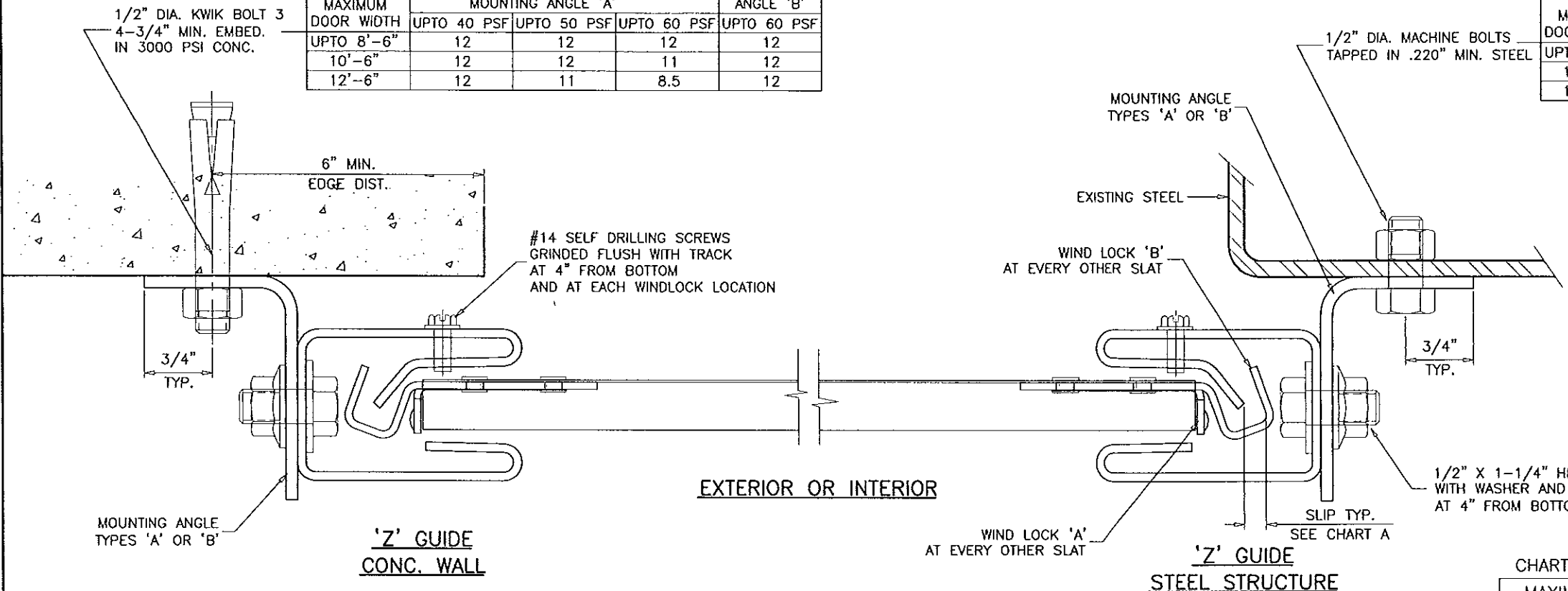
date: 06-22-12
scale: 1/2" = 1"
dr. by: HAMID
chk. by:

drawing no.
12-04

sheet 2 of 4

MAXIMUM DOOR WIDTH	ANCHOR SPACING--INCHES			
	MOUNTING ANGLE 'A'		ANGLE 'B'	
	UPTO 40 PSF	UPTO 50 PSF	UPTO 60 PSF	UPTO 60 PSF
UPTO 8'-6"	12	12	12	12
10'-6"	12	12	11	12
12'-6"	12	11	8.5	12

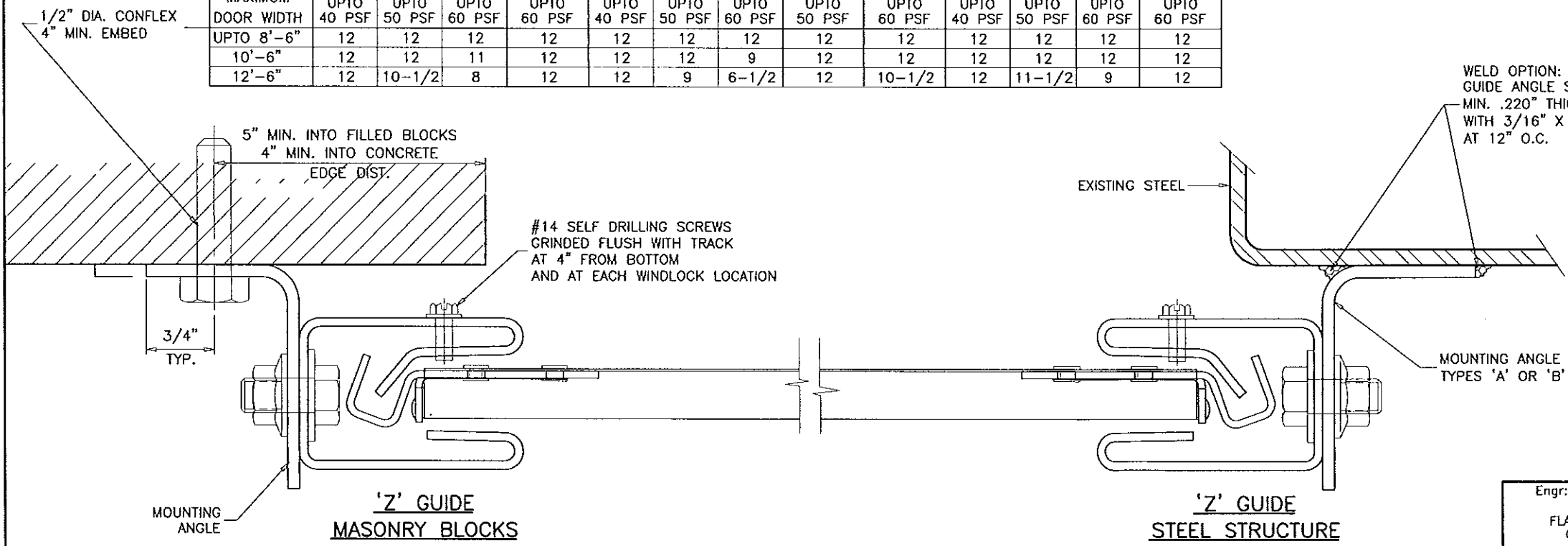
MAXIMUM DOOR WIDTH	BOLT SPACING--INCHES		
	MOUNTING ANGLE 'A'		ANGLE 'B'
	UPTO 50 PSF	UPTO 60 PSF	UPTO 60 PSF
UPTO 8'-6"	12	12	12
10'-6"	12	12	12
12'-6"	12	10-1/2	12



MAXIMUM DOOR WIDTH	ANCHOR SPACING--INCHES												
	INTO GROUT FILLED BLOCKS				INTO 3000 PSI CONCRETE				INTO 4000 PSI CONCRETE				
	MOUNTING ANGLE 'A'		ANGLE 'B'		MOUNTING ANGLE 'A'		ANGLE 'B'		MOUNTING ANGLE 'A'		ANGLE 'B'		
UPTO 8'-6"	12	12	12	12	12	12	12	12	12	12	12	12	12
10'-6"	12	12	11	12	12	12	9	12	12	12	12	12	12
12'-6"	12	10-1/2	8	12	12	9	6-1/2	12	10-1/2	12	11-1/2	9	12

CHART 'A'

MAXIMUM DOOR WIDTH	SLIP INCHES
UPTO 8'-6"	1/8
10'-6"	5/16
12'-6"	1/2



Engr: JAVAD AHMAD
 CIVIL
 FLA. PE # 70592
 C.A.N. 3538

OCT 24 2013

Approved as complying with the
 Florida Building Code
 Date 11/21/2013
 NOA# 13-0526.03
 Miami Dade Product Control

By *[Signature]*

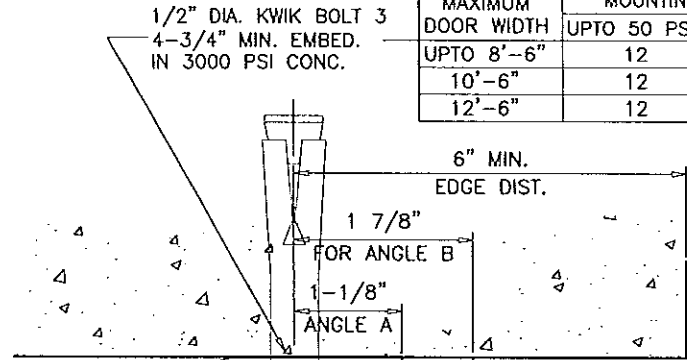
NO	DATE	BY	DESCRIPTION
A	05.17.13		REV. PER COMMENTS

date: 06-22-12
 scale: 1/2" = 1"
 dr. by: HAMID
 chk. by:

drawing no.
12-04

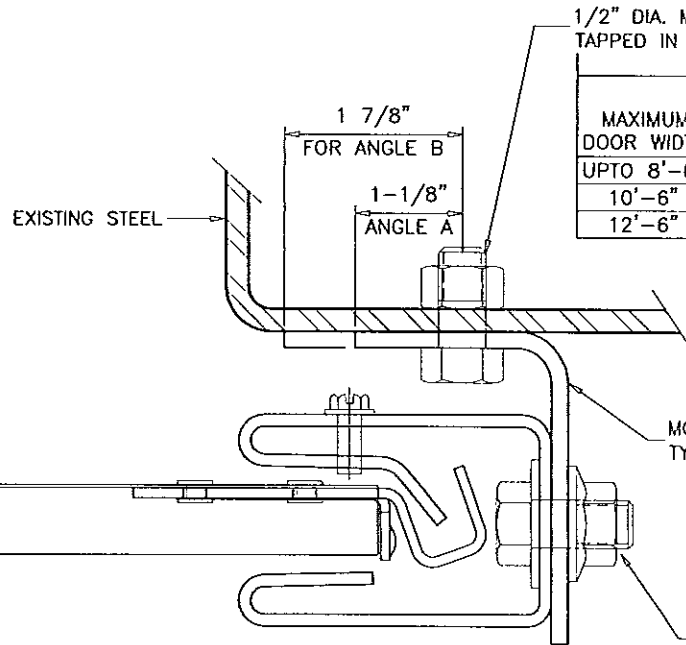
sheet 3 of 4

MAXIMUM DOOR WIDTH	ANCHOR SPACING-INCHES		
	MOUNTING ANGLE 'A'		ANGLE 'B'
	UPTO 50 PSF	UPTO 60 PSF	UPTO 60 PSF
UPTO 8'-6"	12	12	12
10'-6"	12	12	12
12'-6"	12	10	12



**'E' GUIDE
CONC. WALL**

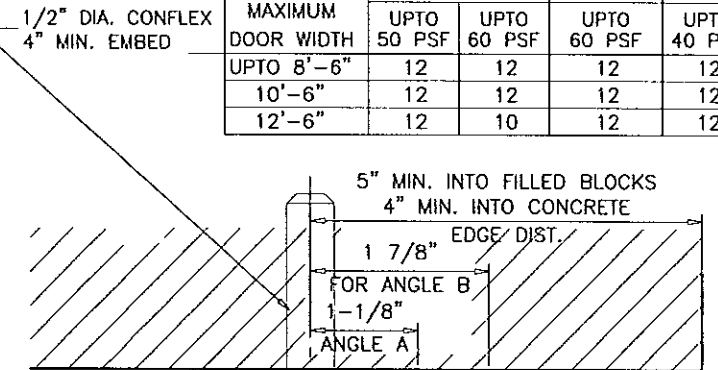
MAXIMUM DOOR WIDTH	BOLT SPACING-INCHES		
	MOUNTING ANGLE 'A'		ANGLE 'B'
	UPTO 50 PSF	UPTO 60 PSF	UPTO 60 PSF
UPTO 8'-6"	12	12	12
10'-6"	12	12	12
12'-6"	12	10-1/2	12



**'E' GUIDE
STEEL STRUCTURE**

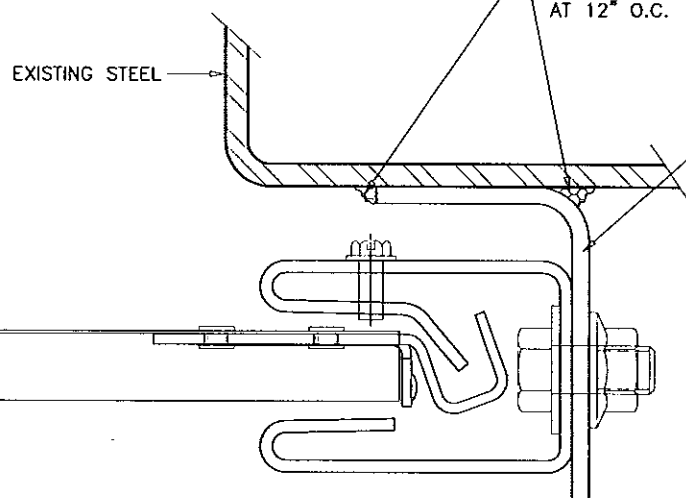
EXTERIOR OR INTERIOR

MAXIMUM DOOR WIDTH	ANCHOR SPACING-INCHES									
	INTO GROUT FILLED BLOCKS			INTO 3000 PSI CONCRETE				INTO 4000 PSI CONCRETE		
	ANGLE 'A'		ANGLE 'B'	MOUNTING ANGLE 'A'		ANGLE 'B'		ANGLE 'A'		ANGLE 'B'
UPTO 8'-6"	UPTO 50 PSF	UPTO 60 PSF	UPTO 60 PSF	UPTO 40 PSF	UPTO 50 PSF	UPTO 60 PSF	UPTO 50 PSF	UPTO 60 PSF	UPTO 50 PSF	UPTO 60 PSF
UPTO 8'-6"	12	12	12	12	12	12	12	12	12	12
10'-6"	12	12	12	12	12	11	12	12	12	12
12'-6"	12	10	12	12	11	8	12	11	12	12



**'E' GUIDE
MASONRY BLOCKS**

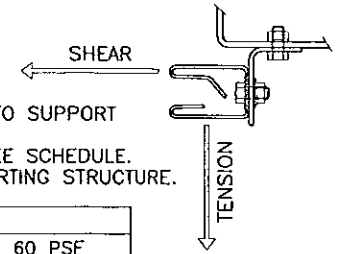
WELD OPTION:
GUIDE ANGLE SECURED TO
MIN. .220" THICK STEEL STRUCTURE
WITH 3/16" X 1-1/2" WELDS
AT 12" O.C.



**'E' GUIDE
STEEL STRUCTURE**

SUPPORTING STRUCTURE MUST BE DESIGNED TO SUPPORT SHEAR & TENSION FORCES AT EACH JAMB. FOR DESIGN VALUES OF SHEAR & TENSION SEE SCHEDULE. ARCH./ENGR. TO VERIFY ADEQUACY OF SUPPORTING STRUCTURE.

MAXIMUM DOOR WIDTH	FORCES ON GUIDE/FT.					
	40 PSF		50 PSF		60 PSF	
	TENSION	SHEAR	TENSION	SHEAR	TENSION	SHEAR
UPTO 8'-6"	170	0	213	292	255	586
10'-6"	210	262	263	532	315	792
12'-6"	250	542	313	814	375	1080



Engr: JAVAD AHMAD
CIVIL
FLA. PE # 70592
C.A.N. 3538
OCT 24 2013

Approved as complying with the
Florida Building Code
Date 11/21/2013
NOAH 13-0326.03
Miami Dade Product Control

By *[Signature]*

af c
AL-FAROOQ CORPORATION
ENGINEERS & PRODUCT DEVELOPMENT
1235 S.W. 87 AVE
MIAMI, FLORIDA 33174
TEL. (305) 264-8100 FAX. (305) 262-6978
GARAGE\12-04DAB

ROLLING TYPE GARAGE DOOR
DAB DOORS INC.
12195 N.W. 98 TH. AVE.
HIALEAH GARDENS, FL. 33018
TEL. (305) 556 - 6624

no.	date	by	description
A	05.17.13		NO CHANGE THIS SHEET

date: 06-22-12
scale: 1/2" = 1"
dr. by: HAMID
chk. by:

drawing no.
12-04
sheet 4 of 4