



DEPARTMENT OF REGULATORY AND ECONOMIC RESOURCES (RER)  
BOARD AND CODE ADMINISTRATION DIVISION

MIAMI-DADE COUNTY  
PRODUCT CONTROL SECTION  
11805 SW 26 Street, Room 208  
Miami, Florida 33175-2474  
T (786) 315-2590 F (786) 315-2599  
[www.miamidade.gov/economy](http://www.miamidade.gov/economy)

**NOTICE OF ACCEPTANCE (NOA)**

**Drexel Metals Inc.**  
**1234 Gardnier Lane**  
**Louisville, KY. 40213**

**SCOPE:**

This NOA is being issued under the applicable rules and regulations governing the use of construction materials. The documentation submitted has been reviewed and accepted by Miami-Dade County RER - Product Control Section to be used in Miami Dade County and other areas where allowed by the Authority Having Jurisdiction (AHJ).

This NOA shall not be valid after the expiration date stated below. The Miami-Dade County Product Control Section (In Miami Dade County) and/or the AHJ (in areas other than Miami Dade County) reserve the right to have this product or material tested for quality assurance purposes. If this product or material fails to perform in the accepted manner, the manufacturer will incur the expense of such testing and the AHJ may immediately revoke, modify, or suspend the use of such product or material within their jurisdiction. RER reserves the right to revoke this acceptance, if it is determined by Miami-Dade County Product Control Section that this product or material fails to meet the requirements of the applicable building code.

This product is approved as described herein, and has been designed to comply with the Florida Building Code including the High Velocity Hurricane Zone of the Florida Building Code.

**DESCRIPTION: DMC 150 SS-24Ga. Steel Panel over Plywood deck**

**LABELING:** Each unit shall bear a permanent label with the manufacturer's name or logo, city, state and following statement: "Miami-Dade County Product Control Approved", unless otherwise noted herein.

**RENEWAL** of this NOA shall be considered after a renewal application has been filed and there has been no change in the applicable building code negatively affecting the performance of this product.

**TERMINATION** of this NOA will occur after the expiration date or if there has been a revision or change in the materials, use, and/or manufacture of the product or process. Misuse of this NOA as an endorsement of any product, for sales, advertising or any other purposes shall automatically terminate this NOA. Failure to comply with any section of this NOA shall be cause for termination and removal of NOA.

**ADVERTISEMENT:** The NOA number preceded by the words Miami-Dade County, Florida, and followed by the expiration date may be displayed in advertising literature. If any portion of the NOA is displayed, then it shall be done in its entirety.

**INSPECTION:** A copy of this entire NOA shall be provided to the user by the manufacturer or its distributors and shall be available for inspection at the job site at the request of the Building Official.

This NOA revises NOA# 13-0328.04 consists of pages 1 through 11.  
The submitted documentation was reviewed by Alex Tigera.



NOA No.: 13-0503.03  
Expiration Date: 06/26/18  
Approval Date: 09/12/13  
Page 1 of 11

**ROOFING SYSTEM APPROVAL:**

**Category:** Roofing  
**Sub-Category:** Metal, Panels (Non-Structural)  
**Material:** Steel  
**Deck Type:** Wood  
**Maximum Design Pressure** -165 psf

**TRADE NAMES OF PRODUCTS MANUFACTURED OR LABELED BY APPLICANT:**

<u>Product</u>	<u>Dimensions</u>	<u>Test Specifications</u>	<u>Product Description</u>
DMC 150 SS – 24Ga. Steel Panel	Length: various Height: 1-1/2” Width: 16” Thickness 24 ga Min. Yield Strength: 50ksi.	TAS 110	Corrosion resistant, galvanized steel or galvalume standing seam metal panel.
DMC 150SS Butterfly Clip	Base: Length: 4.5” Height: 1-1/4” Width: 1” Thickness: 22ga Upper Clip: Length: 5.045” Height: 0.929” Width: 0.40” Thickness: 24ga		Two piece panel clip (base and upper clip) used for the field conditions of DMC 150 SS panel assembly System A.
DMC 150SS Continuous Butterfly Clip	Base: Length: 120” Height: 1-1/4” Width: 1” Thickness: 22ga Upper Clip: Length: 5.045” Height: 0.929” Width: 0.40” Thickness: 24ga		Two piece panel clip (base and upper clip) used for the perimeter and corner conditions of DMC 150 SS panel assembly System A.
24 ga. DMC 150SS Fixed Clip	Length: 2-1/4” Height: 1-5/8” Base Width: 15/16” Thickness: 24ga		One piece panel clip used for the field conditions of DMC 150 SS panel assembly System B.
22 ga. DMC 150SS Fixed Clip	Length: 6-1/4” Height: 1-5/8” Base Width: 3/4” Thickness: 22ga		One piece panel clip used for the perimeter and corner conditions of DMC 150 SS panel assembly System B.



**TRADE NAMES OF PRODUCTS MANUFACTURED OR LABELED BY APPLICANT:**

<u>Product</u>	<u>Dimensions</u>	<u>Test Specifications</u>	<u>Product Description</u>
Bostik 70-05A	N/A	TAS 110	Heavy duty construction adhesive.

**EVIDENCE SUBMITTED:**

<u>Test Agency</u>	<u>Test Identifier</u>	<u>Test Name/Report</u>	<u>Date</u>
Akzo Nobel Coatings, Inc.	Lab Form	ASTM G 153	
PRI Asphalt Technologies, Inc.	AKZC-001-02-01	ASTM B 117	10/08/02
	AKZC-001-02-02		
	AKZC-001-02-03		
	AKZC-001-02-04		
	AKZC-001-02-05		
	DMC-006-02-01	TAS 125	03/11/13
	DMC-009-02-01	TAS 100	03/11/13
Architectural Testing.	56842.02-122-18	TAS 100	06/08/05
Hurricane Test Laboratory, Inc.	0287-0311-07	TAS 125	08/07/07



**APPROVED ASSEMBLIES:**

**System A:** DMC 150 SS – 24Ga. Steel Panel 16” wide Panel  
**Deck Type:** Wood, Non-insulated  
**Deck Description:** New Construction <sup>19</sup>/<sub>32</sub>” or greater plywood or wood plank.  
**Slope Range:** 2": 12" or greater  
**Maximum Uplift Pressure:** See **Maximum Design Pressures below**

**Deck Attachment:** In accordance with applicable Building Code, but in no case shall it be less than 8d annular ring shank nails spaced 6” o.c. In reroofing, where the deck is less than <sup>19</sup>/<sub>32</sub>” thick (Minimum <sup>15</sup>/<sub>32</sub>”) The above attachment method must be in addition to existing attachment.

**Underlayment:** Minimum underlayment shall be an ASTM D 226 Type II installed with a minimum 4” side-lap and 6” end-laps. Underlayment shall be fastened with corrosion resistant tin-caps and 12 gauge 1 ¼” annular ring-shank nails, spaced 6” o.c. at all laps and two staggered rows 12” o.c. in the field of the roll or any approved underlayment having a current NOA.

**Fire Barrier Board:** Any approved fire barrier having a current NOA. Refer to a current fire directory listing for fire ratings of this roofing system assembly as well as the location of the fire barrier within the assembly. See Limitation # 1.

**Valleys:** Valley construction shall be in compliance with Roofing Application Standard RAS 133 and with the current published installation instructions and details in DMC Association of Regional Manufacturers Installation Manual.

**Metal Panels and Accessories:** Install the "DMC 150 SS – 24Ga. Steel Panel 16” wide Panel" including flashing penetrations, valleys, end laps and accessories in compliance “DMC Association of Regional Manufacturers” current, published installation instructions and in compliance with the minimum requirements detailed in Roofing Application Standard RAS 133.

**Field Conditions:** Panels shall be secured along the male rib with approved clips fastened with two corrosion resistant #10 pancake head fasteners of sufficient length to penetrate through the sheathing a minimum of <sup>3</sup>/<sub>16</sub>". The panel clips shall be located at the maximum spacing listed in **Table A** below.

<b>TABLE A MAXIMUM DESIGN PRESSURES</b>		
<b>Roof Areas</b>	<b>Field</b>	<b>Perimeter and Corner<sup>1</sup></b>
<b>Maximum Design Pressures</b>	<b>-99.25</b>	<b>-114.25</b>
<b>Maximum Clip Spacing</b>	<b>16” o.c.</b>	<b>12” o.c.</b>
<b>Clip</b>	<b>DMC 150SS Butterfly Clip</b>	<b>DMC 150SS Continuous Butterfly Clip</b>
<b>Mechanical Seam</b>	<b>180°</b>	<b>180°</b>
1. Extrapolation shall not be allowed		



**System B:** DMC 150 SS – 24Ga. Steel Panel 16” wide Panel  
**Deck Type:** Wood, Non-insulated  
**Deck Description:** New Construction <sup>19</sup>/<sub>32</sub>” or greater plywood or wood plank.  
**Slope Range:** 2”: 12” or greater  
**Maximum Uplift Pressure:** See **Table B** below

**Deck Attachment:** In accordance with applicable Building Code, but in no case shall it be less than 8d annular ring shank nails spaced at a maximum distance specified below in **Table B**. In reroofing, where the deck is less than <sup>19</sup>/<sub>32</sub>” thick (Minimum <sup>15</sup>/<sub>32</sub>”) The above attachment method must be in addition to existing attachment.

**Underlayment:** Minimum underlayment shall be an ASTM D 226 Type II installed with a minimum 4” side-lap and 6” end-laps. Underlayment shall be fastened with corrosion resistant tin-caps and 12 gauge 1 ¼” annular ring-shank nails, spaced 6” o.c. at all laps and two staggered rows 12” o.c. in the field of the roll or any approved underlayment having a current NOA.

**Fire Barrier Board:** Any approved fire barrier having a current NOA. Refer to a current fire directory listing for fire ratings of this roofing system assembly as well as the location of the fire barrier within the assembly. See Limitation # 1.

**Valleys:** Valley construction shall be in compliance with Roofing Application Standard RAS 133 and with the current published installation instructions and details in DMC Association of Regional Manufacturers Installation Manual.

**Metal Panels and Accessories:** Install the "DMC 150 SS – 24Ga. Steel Panel 16” wide Panel" including flashing penetrations, valleys, end laps and accessories in compliance “DMC Association of Regional Manufacturers” current, published installation instructions and in compliance with the minimum requirements detailed in Roofing Application Standard RAS 133.

Panels shall be secured along the male rib with approved Panel clip listed below in **Table B** with two corrosion resistant #10 pancake head fasteners of sufficient length to penetrate through the sheathing a minimum of <sup>3</sup>/<sub>16</sub>". The panel clips are to be placed at a spacing listed below in **Table B**. The female rib of panel is placed over the male/clip assembly and seamed. See Detail B herein.

<b>TABLE B</b>			
<b>MAXIMUM DESIGN PRESSURES</b>			
<b>Roof Areas</b>	<b>Field</b>	<b>Perimeter and Corner<sup>1</sup> Option 1</b>	<b>Perimeter and Corner<sup>1</sup> Option 2</b>
<b>Maximum Design Pressures</b>	<b>-90psf</b>	<b>-150psf</b>	<b>-165psf</b>
<b>Plywood Fastener Spacing</b>	<b>6” o.c.</b>	<b>6” o.c.</b>	<b>4” o.c.</b>
<b>Clip Type</b>	<b>24 ga. DMC 150SS Fixed Clip</b>	<b>22 ga. DMC 150SS Fixed Clip</b>	<b>22 ga. DMC 150SS Fixed Clip</b>
<b>Maximum Clip Spacing</b>	<b>16” o.c.</b>	<b>12” o.c.</b>	<b>8” o.c.</b>
<b>Bostik Seam Sealant</b>	<b>None</b>	<b>(1) 1/4” bead</b>	<b>None</b>
<b>Mechanical Seam</b>	<b>90°</b>	<b>90°</b>	<b>180°</b>

1. Extrapolation shall not be allowed



## LIMITATIONS

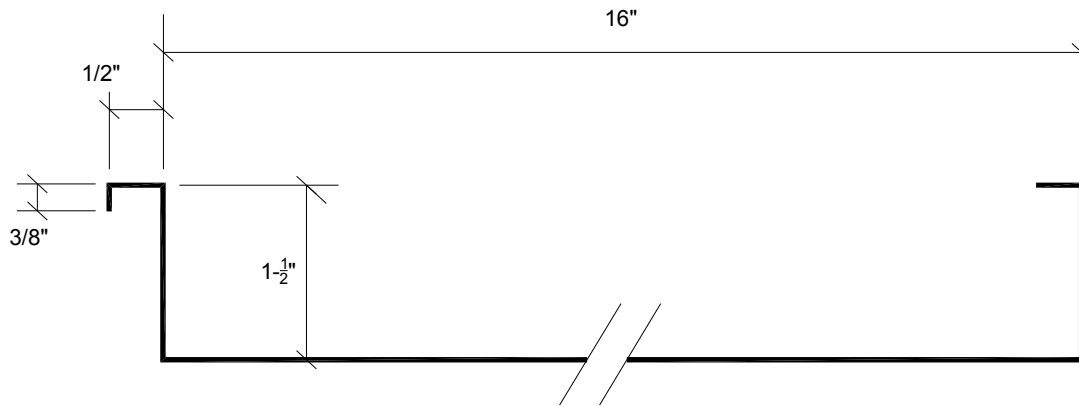
1. Fire classification is not part of this acceptance; refer to a current Approved Roofing Materials Directory for fire ratings of this product.
2. The maximum designed pressure listed herein shall be applicable to all roof pressure zones (i.e. field, perimeters, and corners). Neither rational analysis, nor extrapolation shall be permitted for enhanced fastening at enhanced pressure zones (i.e. perimeters, extended corners and corners).
3. Panels may be rolls formed in continuous lengths from eave to ridge. Maximum lengths shall be as described in Roofing Application Standard RAS 133
4. All panels shall be permanently labeled with the manufacturer's name and/or logo, and the following statement: "Miami-Dade County Product Control Approved" **or** with the Miami-Dade County Product Control Seal as seen below. All clips shall be permanently labeled with the manufacturer's name and/or logo, and/or model.



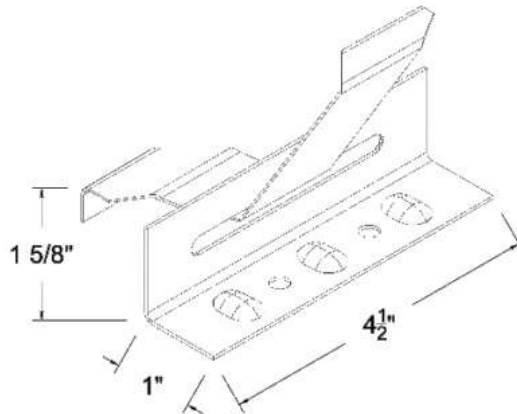
5. All products listed herein shall have a quality assurance audit in accordance with the Florida Building Code and Rule 9N-3 of the Florida Administrative Code.
6. Panels may be jobsite roll formed with machine model #9600406 from DMC Association of Regional Manufacturers.



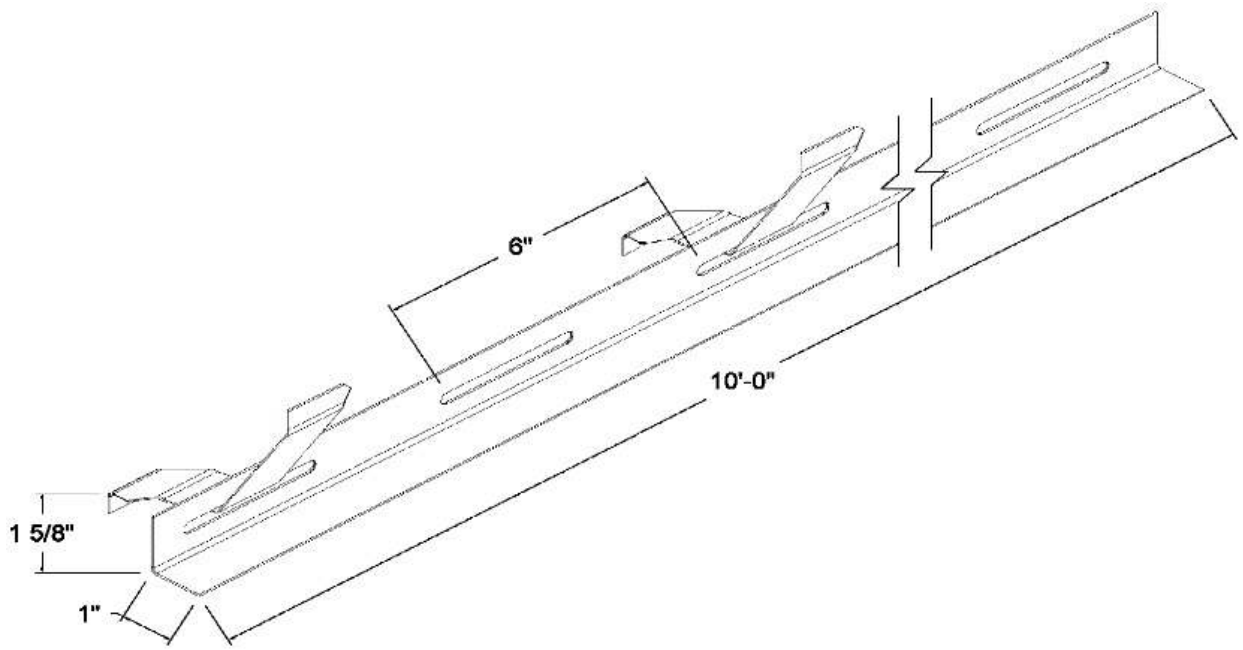
## PROFILE DRAWINGS



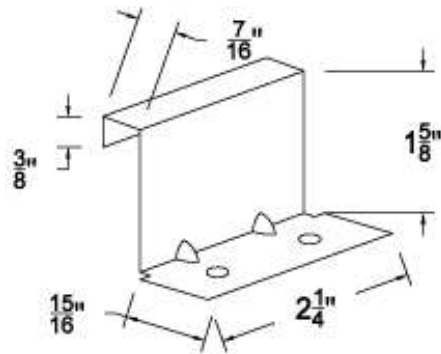
**DCM 150 SS – 24GA. STEEL PANEL**



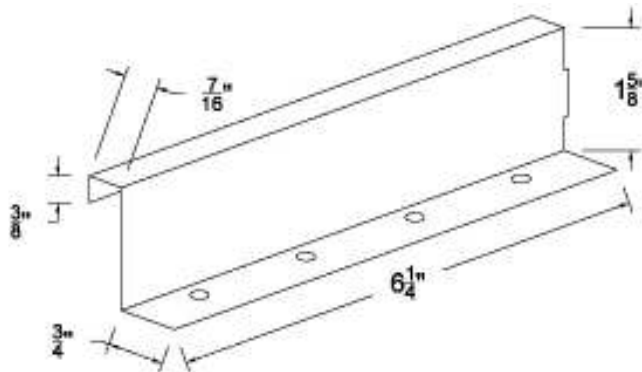
**DMC 150SS BUTTERFLY CLIP**



**DMC 150SS CONTINUOUS BUTTERFLY CLIP**



**24 GA, DMC 150SS FIXED CLIP**

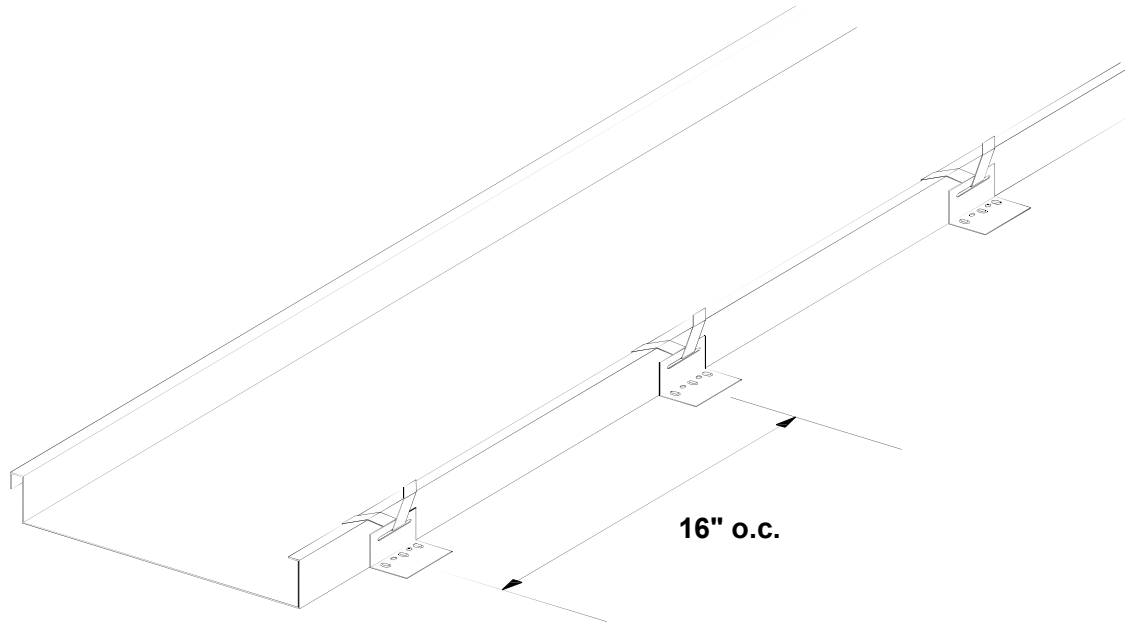


**22 GA, DMC 150SS FIXED CLIP**

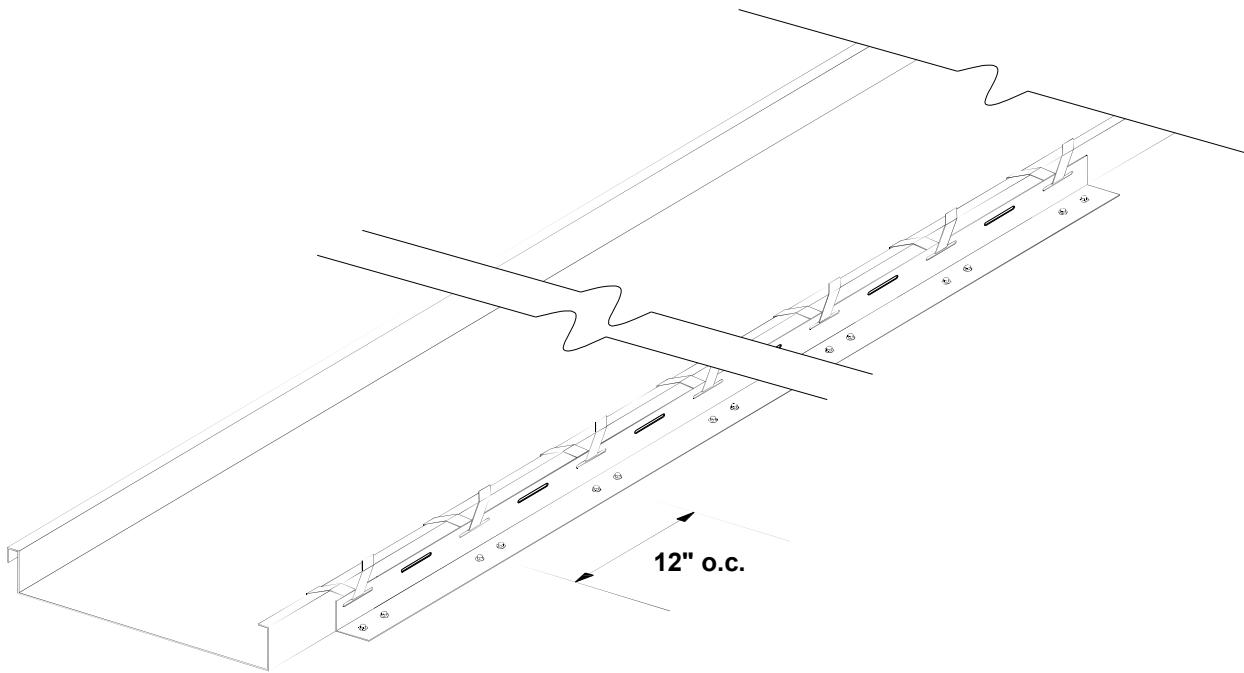




# DETAIL A



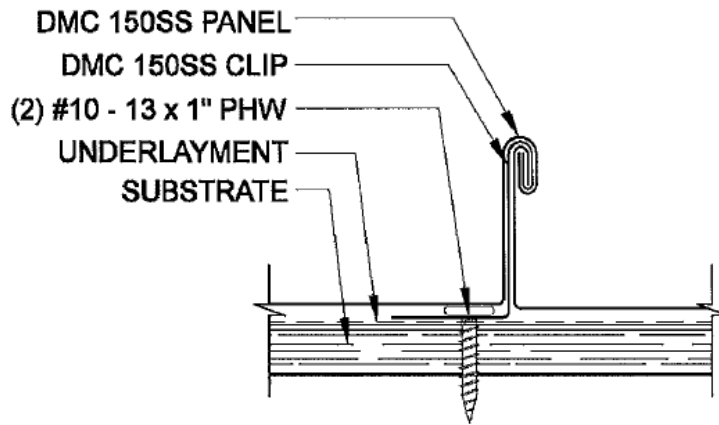
## (Field Conditions)



## (Perimeter and Corner Conditions)

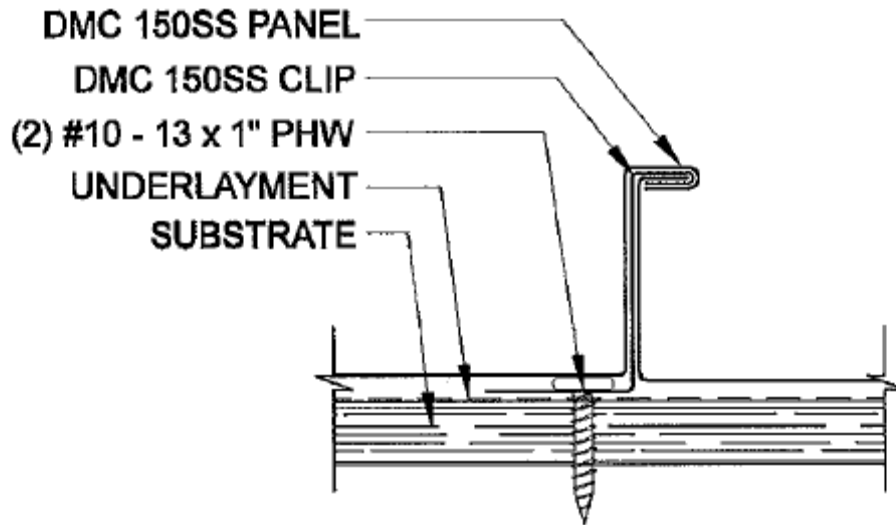


### DETAIL A (CONT.)



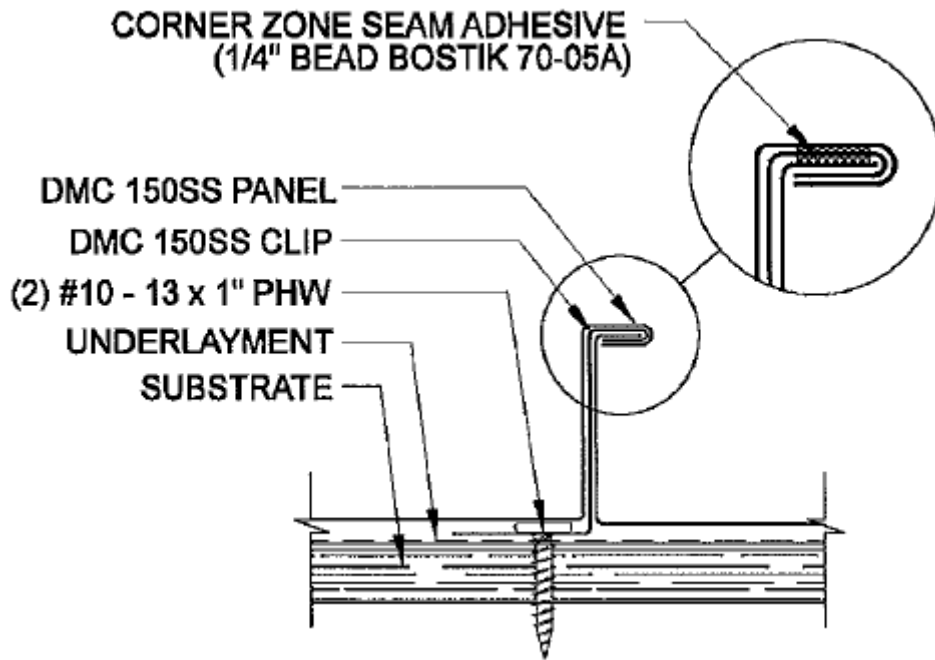
(Seam Detail System A – Field, Perimeter and Corner Condition)

### DETAIL B

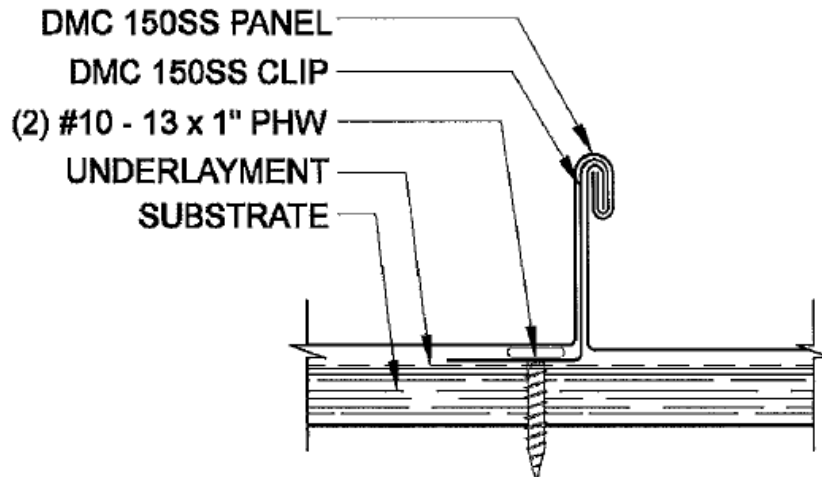


(Field Condition Seam Detail)

**DETAIL B (CONT.)**



(Perimeter and Corner Condition – Option 1 Seam Detail)



(Perimeter and Corner Condition – Option 2 Seam Detail)

**END OF THIS ACCEPTANCE**

