



DEPARTMENT OF REGULATORY AND ECONOMIC RESOURCES (RER)
 BOARD AND CODE ADMINISTRATION DIVISION
NOTICE OF ACCEPTANCE (NOA)

Stanley Security Solutions Inc.
 6161 East 75th Street
 Indianapolis, IN 46250

SCOPE:

This NOA is being issued under the applicable rules and regulations governing the use of construction materials. The documentation submitted has been reviewed and accepted by Miami-Dade County RER -Product Control Section to be used in Miami Dade County and other areas where allowed by the Authority Having Jurisdiction (AHJ).

This NOA shall not be valid after the expiration date stated below. The Miami-Dade County Product Control Section (In Miami Dade County) and/or the AHJ (in areas other than Miami Dade County) reserve the right to have this product or material tested for quality assurance purposes. If this product or material fails to perform in the accepted manner, the manufacturer will incur the expense of such testing and the AHJ may immediately revoke, modify, or suspend the use of such product or material within their jurisdiction. RER reserves the right to revoke this acceptance, if it is determined by Miami-Dade County Product Control Section that this product or material fails to meet the requirements of the applicable building code.

This product is approved as described herein, and has been designed to comply with the Florida Building Code, including the High Velocity Hurricane Zone.

DESCRIPTION: Series 9k Cylindrical Lockset Hardware (Component Approval)-Impact

APPROVAL DOCUMENT: Drawing No. "SSS001", titled "Series 9k Cylindrical Lockset-Component Approval", sheets 1 through 3 of 3, prepared by Building Drops Inc., dated 06/22/11 and last revised on 11/15/12, signed and sealed by Hermes F. Norero, P.E., bearing the Miami-Dade County Product Control Renewal stamp with the Notice of Acceptance number and expiration date by the Miami-Dade County Product Control Section.

MISSILE IMPACT RATING: Large Missile Impact Resistant

Limitations:

1. This component is approved to be used as an alternate with approved single or double Steel doors, having current NOA (Notice of Acceptance). Lowest Design Pressure of doors or this component may control.
2. See Design Pressure tables based on Latch Throw and limitations of the component approval in sheet 1 & 3.
3. Approved Single door panel shall not be wider than 48" & higher than 96" and double door panel not wider than 36" & higher than 84". Double door inactive panel must be secured with surface bolts.
4. Electrical device installation is not part of this approval, such installation to be reviewed by AHJ.

LABELING: Each unit shall bear a permanent label with the manufacturer's name or logo, city, state and series and following statement: "Miami-Dade County Product Control Approved", noted herein.

RENEWAL of this NOA shall be considered after a renewal application has been filed and there has been no change in the applicable building code negatively affecting the performance of this product.

TERMINATION of this NOA will occur after the expiration date or if there has been a revision or change in the materials, use, and/or manufacture of the product or process. Misuse of this NOA as an endorsement of any product, for sales, advertising or any other purposes shall automatically terminate this NOA. Failure to comply with any section of this NOA shall be cause for termination and removal of NOA.

ADVERTISEMENT: The NOA number preceded by the words Miami-Dade County, Florida, and followed by the expiration date may be displayed in advertising literature. If any portion of the NOA is displayed, then it shall be done in its entirety.

INSPECTION: A copy of this entire NOA shall be provided to the user by the manufacturer or its distributors and shall be available for inspection at the job site at the request of the Building Official.

This NOA renews NOA # 12-0612.25 and consists of this page 1 and evidence pages E-1, as well as approval document mentioned above.

The submitted documentation was reviewed by Ishaq I. Chanda, P.E.



10/17/13

NOTICE OF ACCEPTANCE: EVIDENCE SUBMITTED

A. DRAWINGS

1. Manufacturer's die drawings and sections (Submitted under files #12-0612.25 #10-0420.07)
2. Drawing No. "SSS001", titled "Series 9k Cylindrical Lockset-Component Approval", sheets 1 through 3 of 3, prepared by Building Drops Inc., dated 06/22/11 and last revised on 11/15/12, signed and sealed by Hermes F. Norero, P.E. (Note: This is Renewal with no change from previous approval).

B. TESTS (Submitted under file # 12-0612.25 #10-0420.07)

1. Test reports on:
 - 1) Air Infiltration Test, per FBC, TAS 202-94
 - 2) Uniform Static Air Pressure Test, Loading per FBC TAS 202-94
 - 3) Water Resistance Test, per FBC, TAS 202-94
 - 4) Large Missile Impact Test per FBC, TAS 201-94
 - 5) Cyclic Wind Pressure Loading per FBC, TAS 203-94

Along with marked-up drawings and installation diagram of Cylindrical Lockset, prepared by Intertek Testing Services N. A., Inc., Test Reports No.'s **ITS-3178115MID-01** dated September 25, 2009, **ITSWI-G100020788MID-01**, dated 03-01-10, **ITSWI-G100020788MID-02**, dated 03-01-10 and **ITSWI-100020788MID-013** dated March 04, 2010, all signed and sealed by Frederick D. Curkeet, P. E. Note: ITS Test report No. **3178115MID-01** has been revised by an addendum letter, issued by Intertek, dated November 07, 2010, signed & sealed by Rick Curkeet, P. E.

2. Test reports issued by Fenestration Testing Laboratory, Inc., Test Reports No.'s **FTL-1684** dated September 22, 1997 and **FTL-1860**, dated February 25, 1998, both signed and sealed by late Gilbert Diamond, P. E. (Submitted under file # 09-0209.05)

C. CALCULATIONS

1. None.

D. QUALITY ASSURANCE

1. Miami Dade Department of Regulatory and Economic Resources (RER).

E. MATERIAL CERTIFICATIONS

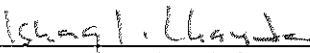
1. None.

F. STATEMENTS

1. Statement letter of conformance FBC 2010, letter of no financial interest and renewal w/ No change, issued by Building Drops Inc., dated 05/21/13, signed and sealed by Hermes F. Norero, P.E.
2. Statement letter of conformance to FBC 2007 & FBC 2010 and letter of no financial interest, Building Drops Inc., dated 06/08/12, signed and sealed by Hermes F. Norero, P.E. (submitted under file # 12-0612.25)
3. Statement letter of Successor P.E. adopting work of another Engineer dated 11-28-12, per FL. Statue chapter 61G15-27, signed & sealed by Hermes F. Norero, P.E. (submitted under file # 10-0420.07)
4. Statement letter dated Jan 29, 2007 of Stanley Works acquired shares of Best Lock dba Best Access system, signed by Kara J. Dean, Council Stanley Access (submitted under file # 09-0209.05).
5. Certificate of amendment of Best Lock to Stanley Security Solution Inc, issued by State of Indiana on Aug. 30, 2003(submitted under file # 09-0209.05).
6. Statement letter by Republic Builder Products dated October 30, 2002, authorizing Best Access System to use their FTL test reports for obtaining component approval (submitted under file # 09-0209.05).
7. Lab compliance as part of the above referenced test reports.

G. OTHER

1. This NOA renews NOA # 12-0612.25, expiring on April 29, 2014.



Ishaq I. Chanda, P.E.
Product Control Examiner
NOA No. 13-0718.04
Expiration Date: April 29, 2019
Approval Date: October 17, 2013

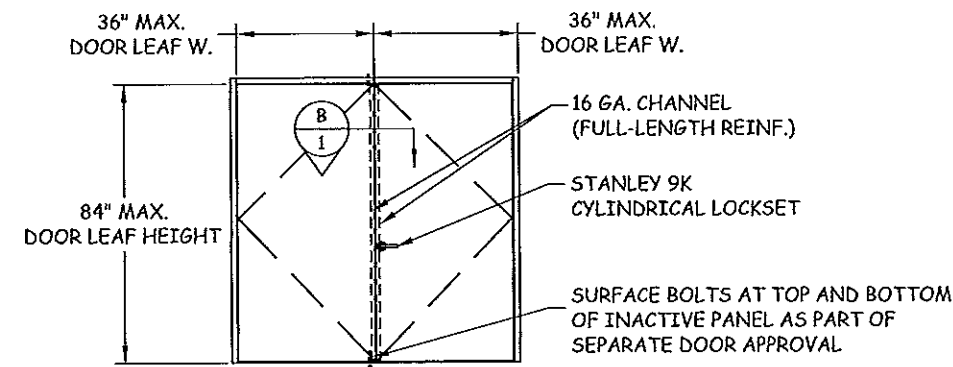
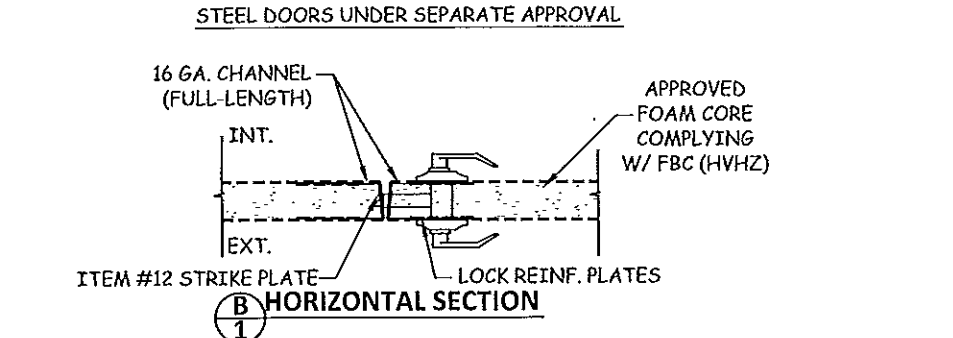
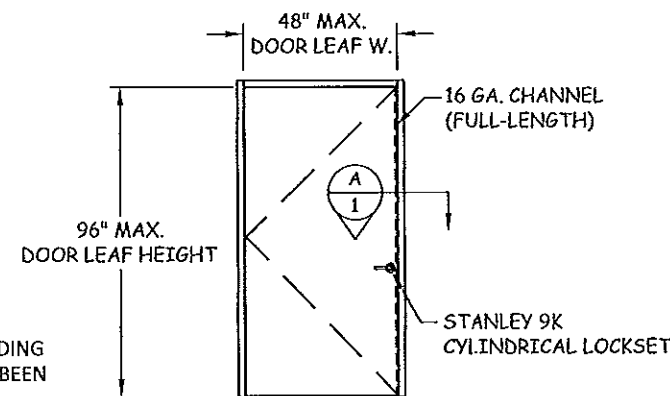
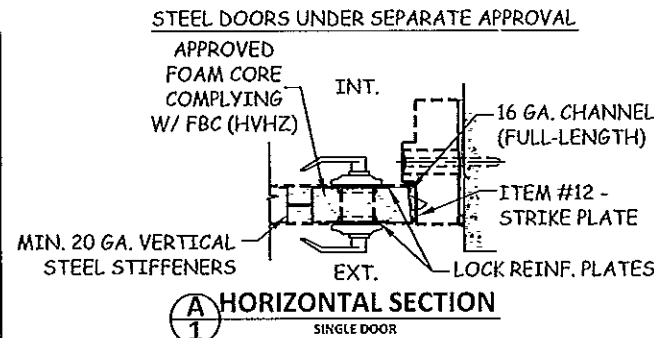
STANLEY SECURITY SOLUTIONS, INC.

SERIES 9K CYLINDRICAL LOCKSET HARDWARE - LMI (COMPONENT APPROVAL)



6161 EAST 75TH STREET
INDIANAPOLIS, IN 46250
PH: (317) 806-3288
FX: (317) 806-3337

9K CYLINDRICAL LOCKSET			
MAX. DESIGN PRESSURE RATING-PSF			
CONFIGURATION	MAX. PANEL SIZE	LATCH THROW	MAX. DP
SINGLE	48" X 96"	9/16"	+/- 75 PSF
SINGLE	48" X 96"	3/4"	+/- 80 PSF
DOUBLE	36" X 84"	3/4"	+/- 50 PSF



GENERAL NOTES:

- THIS PRODUCT HAS BEEN DESIGNED AND MANUFACTURED TO COMPLY WITH THE 2010 FLORIDA BUILDING CODE INCLUDING PROVISIONS SET FORTH FOR HIGH-VELOCITY HURRICANE ZONES (HVHZ) AND HAVE BEEN TESTED AND EVALUATED IN ACCORDANCE WITH TAS 201, 202, & 203.
- THE COMPONENT DESCRIBED HEREIN SHALL BE USED WITH DOOR PANEL FACE SHEETS TO BE MIN. 18 GA. (0.048" MIN.) STEEL, AND FRAME TO BE MIN. 16 GA. (0.057" MIN.) WITH MIN. $F_y = 35,400$ PSI STEEL. FORMED STEEL REINFORCEMENT PLATE (1.557" X 8.018") SHALL BE A MINIMUM OF 16 GA. (0.057" MIN.) COLD ROLLED STEEL HINGE REINFORCEMENTS SHALL BE A MINIMUM OF 9 GA. (0.132" MIN.).
 - MAX. SINGLE DOOR PANEL DIMENSIONS: 48" (W) X 96" (H) X 1-3/4" THICK
 - DEVICE SHALL BE INSTALLED INTO SINGLE COMMERCIAL CORE FILLED STEEL DOORS UNDER SEPARATE APPROVAL.
 - CORE OF DOORS SHALL BE APPROVED AS PART OF SEPARATE DOOR APPROVAL.
 - DOOR SHALL BE REINFORCED WITH 20 GA. VERTICAL STEEL STIFFENERS.
 - MAX. DOUBLE DOOR PANEL DIMENSIONS: 36" (W) X 84" (H) X 1-3/4" THICK
 - DEVICE SHALL BE INSTALLED INTO DOUBLE COMMERCIAL CORE FILLED STEEL DOORS UNDER SEPARATE APPROVAL.
 - FILLED CORE OF DOORS SHALL BE APPROVED AS PART OF SEPARATE DOOR APPROVAL.
 - INACTIVE PANELS SHALL BE SECURED WITH BOLTS AT TOP AND BOTTOM AS PART OF SEPARATE DOOR APPROVAL.
- LOCKING HARDWARE SHALL BE INSTALLED AS PER MANUFACTURER'S INSTALLATION INSTRUCTIONS.
- ALL FASTENERS AND ASSOCIATED HARDWARE MUST BE MADE OF CORROSION RESISTANT MATERIAL OR HAVE A CORROSION RESISTANT COATING.
- STRIKES, HINGES, AND ALL APPLICABLE REINFORCEMENTS MINIMUM AS REQUIRED ON DETAIL DRAWING IN THIS APPROVAL.
- STEEL COMPONENTS SHALL BE COATED OR COMPLY WITH CORROSION RESISTANCE PROTECTION IN CONFORMANCE WITH THE MATERIAL PROTECTION PROVISIONS OF FBC SECTION 2220.

LIMITATIONS OF USE:

- THIS CYLINDRICAL LOCKSET HARDWARE COMPONENT APPROVAL IS TO BE USED AS AN EQUIVALENT ALTERNATIVE OF TESTED LOCK COMPONENTS FOR SINGLE OR PAIR STEEL OUTSWING DOORS HAVING A SEPARATE CURRENT NOA. THE LOWER DESIGN PRESSURE OF DOOR OR THE LOCK COMPONENT APPROVAL HEREIN SHALL CONTROL.
- ELECTRICAL/ELECTRONIC FUNCTION AND INSTALLATION OTHER THAN SELF CONTAINED ELECTRONIC DEVICES ARE NOT PART OF THIS APPROVAL AND MUST BE REVIEWED BY AUTHORITY HAVING JURISDICTION(AHJ) IN THE AREA.
- DOOR LEAF SHALL BE NO WIDER THAN 48" OR HIGHER THAN 96" FOR SINGLE DOORS OR WIDER THAN 48" OR HIGHER THAN 84" FOR DOUBLE DOOR APPLICATIONS.
- COMPLIANCE WITH BUILDING EGRESS REQUIREMENTS TO BE REVIEWED BY BUILDING OFFICIAL.

TABLE OF CONTENTS		
SHEET	REVISION	SHEET DESCRIPTION
1	-	GENERAL NOTES, ELEVATION, AND SECTION VIEW
2	-	EXPLODED ISOMETRIC VIEW
3	-	ORTHOGRAPHIC VIEWS & BILL OF MATERIALS

TITLE: SERIES 9K CYLINDRICAL LOCKSET
GENERAL NOTES, ELEVATION, AND SECTION VIEW
PREPARED BY: BUILDING DROPS, INC.
398 E. DANIA BEACH BLVD. #338
DANIA BEACH, FL 33004
PH: (954) 399-8478 FX: (954) 744-4738

REVISIONS	DESCRIPTION	BY	DATE
		NO.	

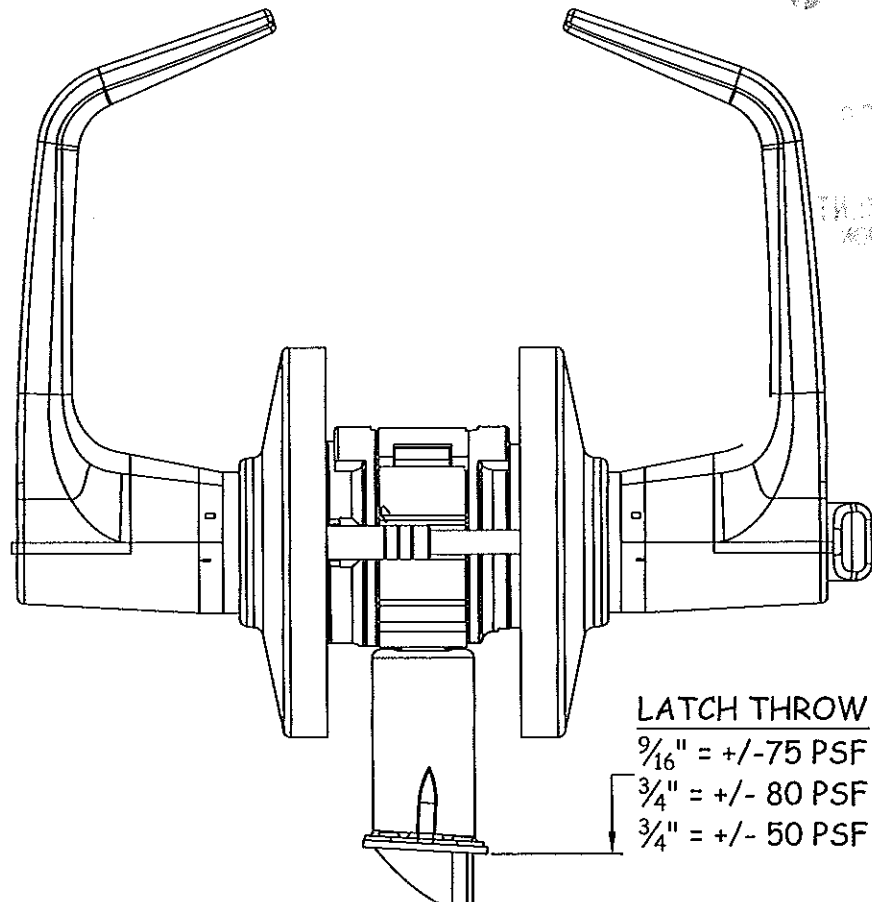
HERNANDEZ, P.L.
FLORIDA P.E. NO. 73776
398 E. DANIA BEACH BLVD. #338
DANIA BEACH, FL 33004
FBPL CERT. # AUTHORIZATION NO. 29578

PRODUCT REVIEWED as complying with the Florida Building Code
Acceptance No. 13-0718-04
Expiration Date APR 29, 2014
By: [Signature]
Miami Dade Product Council

PRODUCT REVIEWED as complying with the Florida Building Code
Acceptance No. 12-0612-25
Expiration Date APR 29, 2014
By: [Signature]
Miami Dade Product Council

DATE: 6.22.11
DWN BY: MSS
CHK BY: HFN
SCALE: NTS
DWG #: SSS001
SHEET: 1 OF 3

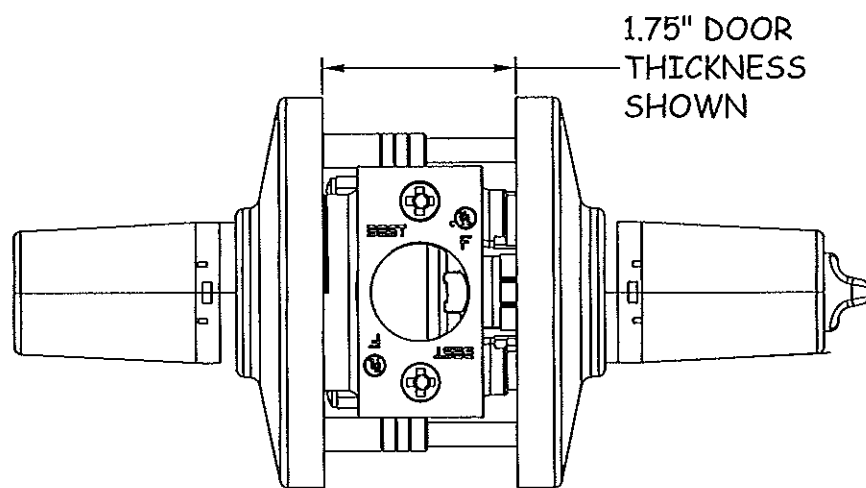
I:\projects\stansol\stansol\p-11-1102 - (2010 fbc code change)\12-04-12-25 9k cylindrical lockset.dwg 11/15/2012 8:59 AM



LATCH THROW
 9/16" = +/- 75 PSF (SINGLE DOOR)
 3/4" = +/- 80 PSF (SINGLE DOOR)
 3/4" = +/- 50 PSF (DOUBLE DOOR)

SERIES 9K CYLINDRICAL LOCKSET

TOP ORTHO VIEW



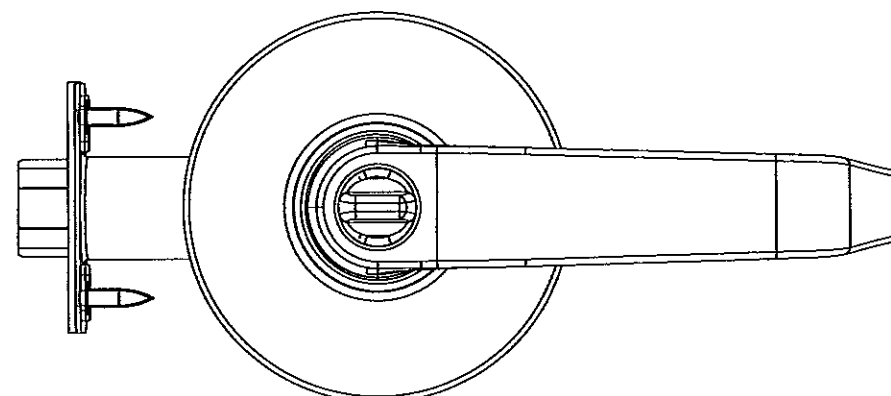
1.75" DOOR THICKNESS SHOWN

SERIES 9K CYLINDRICAL LOCKSET

SIDE ORTHO VIEW

MATERIAL & PARTS LIST

ITEM	DRAWING	DESCRIPTION	APPROXIMATE SIZE	MATERIAL	REQ'D
1	D55168	#15 STYLE KEYPED LEVER HANDLE FOR 9K	5.414 X 2.095 X 1.260	ZINC	1
2	D55170	#15 STYLE BUTTON LEVER HANDLE FOR 9K	5.414 X 2.095 X 1.260	ZINC	1
3	C54322	CHASSIS ASSEMBLY "AB" FUNCTION	Ø2.075 X 7.103	STEEL	1
4	A55557	CLAMP FOR 9K	#12-24 X 1.625	STEEL	2
5	A25359	COMBINATION SCREW # 8-32	#8-32 X .750	STEEL	2
6A	C54680	DEADLOCKING LATCH & FACEPLATE ASSEMBLY FOR 9K (3/4" THROW)	2.248 X 1.123 X 2.626	STEEL	1
6B	C54680	DEADLOCKING LATCH & FACEPLATE ASSEMBLY FOR 9K (3/8" THROW)	2.248 X 1.123 X 2.626	STEEL	1
7	B55007	LARGE ROSE	Ø3.499 X .788	BRASS	2
8	C55508	LARGE O/S LINER	Ø3.499 X .240	STEEL	1
9	B55507	THREADED ANTI-ROTATION STUD	Ø301 X 1.137	STEEL	2
10	C55555	LARGE THREADLESS I/S LINER	Ø3.499 X .240	STEEL	1
11	A18724	#12-24/#12-12 X 3/4" UNDERCUT PFHCS	#12-24 X .750	STEEL	2
12	B25641	4 7/8" STRIKE FOR 9K	4.865 X 1.240 X .091	BRASS	1



SERIES 9K CYLINDRICAL LOCKSET

FRONT ORTHO VIEW

STANLEY

Security Solutions

6161 EAST 75TH STREET
 INDIANAPOLIS, IN 46250
 PH: (317) 806-3288
 FX: (317) 806-3337

TITLE: SERIES 9K CYLINDRICAL LOCKSET
 ORTHOGRAPHIC VIEW & BILL OF MATERIALS

PREPARED BY: BUILDING DROPS, INC.
 398 E. DANIA BEACH BLVD. #338
 DANIA BEACH, FL 33004
 PH: (954) 999-8478 FX: (954) 744-4738

REVISIONS

NO.	DESCRIPTION	BY	DATE

[Signature]
 HERMES F. NORRERO, P.E.
 FLORIDA P. E. NO. 73778
 398 E. DANIA BEACH BLVD. #338
 DANIA BEACH, FL 33004
 PEPPER CORP. AUTHORIZATION NO. 26378

PRODUCT REVISED
 as complying with the Florida
 Building Code
 Acceptance No. 12-0718-04
 Expiration Date APR 29, 2014
 By *[Signature]*
 National Product Control

PRODUCT REVISED
 as complying with the Florida
 Building Code
 Acceptance No. 12-0612-25
 Expiration Date APR 29, 2014
 By *[Signature]*
 National Product Control

DATE: 6.22.11
 DWN BY: MSS
 CHK BY: HFN
 SCALE: NTS
 DWG #: SSS001
 SHEET: 3 OF 3