



DEPARTMENT OF REGULATORY AND ECONOMIC RESOURCES (RER)
BOARD AND CODE ADMINISTRATION DIVISION

MIAMI-DADE COUNTY
PRODUCT CONTROL SECTION
11805 SW 26 Street, Room 208
Miami, Florida 33175-2474
T (786) 315-2590 F (786) 315-2599

www.miamidade.gov/economy

NOTICE OF ACCEPTANCE (NOA)

Temtrol, Inc.
106 N. Industrial Blvd.
Okarche, OK 73762

SCOPE:

This NOA is being issued under the applicable rules and regulations governing the use of construction materials. The documentation submitted has been reviewed and accepted by Miami-Dade County RER- Product Control Section to be used in Miami Dade County and other areas where allowed by the Authority Having Jurisdiction (AHJ).

This NOA shall not be valid after the expiration date stated below. The Miami-Dade County Product Control Section (In Miami Dade County) and/or the AHJ (in areas other than Miami Dade County) reserve the right to have this product or material tested for quality assurance purposes. If this product or material fails to perform in the accepted manner, the manufacturer will incur the expense of such testing and the AHJ may immediately revoke, modify, or suspend the use of such product or material within their jurisdiction. RER reserves the right to revoke this acceptance, if it is determined by Miami-Dade County Product Control Section that this product or material fails to meet the requirements of the applicable building code.

This product is approved as described herein, and has been designed to comply with the High Velocity Hurricane Zone of the Florida Building Code.

DESCRIPTION: Temtrol Series "ITF" Air Handler Units

APPROVAL DOCUMENT: Drawing titled " Temtrol Series "ITF" Air Handler Unit ", sheets 1 through 6 of 6, prepared by Temtrol, Inc., dated March 10, 2009, signed and sealed by Robert A. Walz, P.E., on March 23, 2009, bearing the Miami-Dade County Product Control Renewal stamp with the Notice of Acceptance number and the expiration date by the Miami-Dade County Product Control Section.

MISSILE IMPACT RATING: Large and Small Missile Impact Resistant

LABELING: Each panel shall bear a permanent label with the manufacturer's name or logo, Okarche, OK or Oklahoma City, OK and the following statement: "Miami-Dade County Product Control Approved", unless otherwise noted herein.

RENEWAL of this NOA shall be considered after a renewal application has been filed and there has been no change in the applicable building code negatively affecting the performance of this product.

TERMINATION of this NOA will occur after the expiration date or if there has been a revision or change in the materials, use, and/or manufacture of the product or process. Misuse of this NOA as an endorsement of any product, for sales, advertising or any other purposes shall automatically terminate this NOA. Failure to comply with any section of this NOA shall be cause for termination and removal of NOA.

ADVERTISEMENT: The NOA number preceded by the words Miami-Dade County, Florida, and followed by the expiration date may be displayed in advertising literature. If any portion of the NOA is displayed, then it shall be done in its entirety.

INSPECTION: A copy of this entire NOA shall be provided to the user by the manufacturer or its distributors and shall be available for inspection at the job site at the request of the Building Official.

This NOA renews NOA # 08-0822.20 and consists of this page 1, evidence submitted page E-1 as well as approval document mentioned above.

The submitted documentation was reviewed by **Helmy A. Makar, P.E., M.S.**



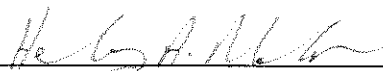
Helmy A. Makar
04/10/2014

NOA No. 14-0311.09
Expiration Date: 04/15/2019
Approval Date: 04/10/2014

Temtrol, Inc.

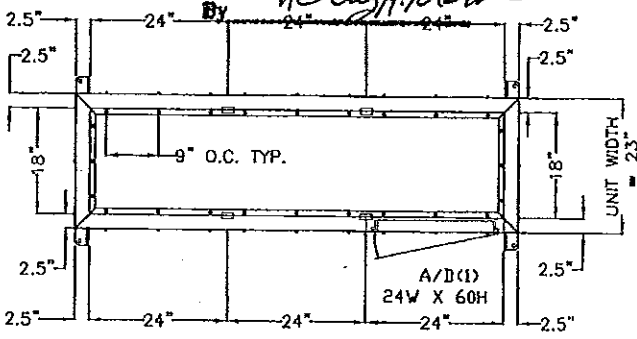
NOTICE OF ACCEPTANCE: EVIDENCE SUBMITTED

- 1. EVIDENCE SUBMITTED UNDER PREVIOUS APPROVAL #08-0822.20**
 - A. DRAWINGS**
 1. *Drawing titled " Temtrol Series "ITF" Air Handler Unit ", sheets 1 through 6 of 6, prepared by Temtrol, Inc., dated March 10, 2009, signed and sealed by Robert A. Walz, P.E., on March 23, 2009.*
 - B. TESTS**
 1. *Test report on Large Missile Impact Test, Cyclic Wind Pressure Test and Uniform Static Air Pressure Test of Temtrol Series ITF Air Handler Unit, prepared by Architectural Testing, Report No. 75786.01-801-18, dated 07/28/2008, signed and sealed by Joseph A. Reed, P.E.*
 - C. CALCULATIONS**
 1. *Panel and fasteners analysis prepared by Walz Engineering, LLC, dated December 10, 2008, signed and sealed by Robert A. Walz, P.E.*
 - D. QUALITY ASSURANCE**
 1. *By Miami-Dade County Building Code Compliance Office.*
 - E. MATERIAL CERTIFICATIONS**
 1. *Tensile Test Report No. 75786.01-801-18, dated 07/28/2008, signed and sealed by Joseph A. Reed, P.E.*
- 2. NEW EVIDENCE SUBMITTED**
 - A. DRAWINGS**
 1. *None.*
 - B. TESTS**
 1. *None.*
 - C. CALCULATIONS**
 1. *None.*
 - D. QUALITY ASSURANCE**
 1. *By Miami-Dade County Department of Regulatory and Economic Resources.*
 - E. MATERIAL CERTIFICATIONS**
 1. *None.*
 - F. STATEMENTS**
 1. *FBC, 2010 Edition Compliance letter prepared by Temtrol, Inc., dated February 28, 2014, signed and sealed by John D. Winslow, P.E.*

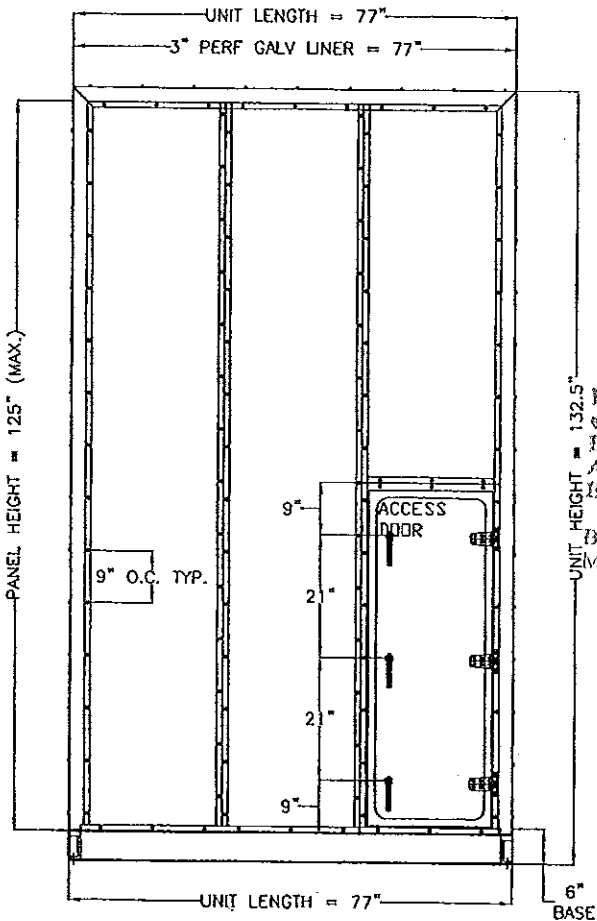


Helmy A. Makar, P.E., M.S.
Product Control Unit Supervisor
NOA No. 14-0311.09
Expiration Date: 04/15/2019
Approval Date: 04/10/2014

Approved as complying with the Florida Building Code
 Date 04/15/2009
 NOAH 08-0822.20
 Miami Dade Product Control
 Division *He... ..*



PLAN VIEW

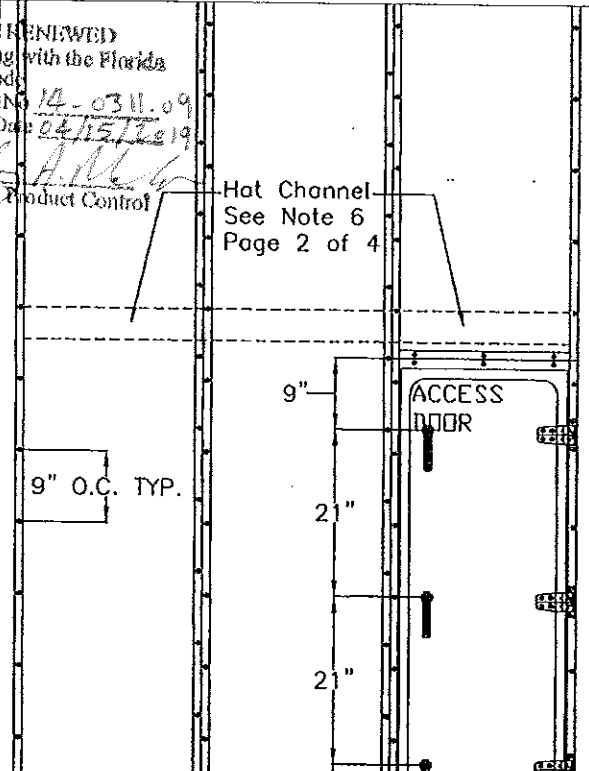


RIGHT ELEVATION

Robert A. Gal

APPROVED MAX. SIZES FOR PANELS	
EXTERIOR LINER 0.0635"(min.) G-90 Galv. 24"x125" 18"x125" 24"x65" (Above Door)	INTERIOR LINER 0.0396" (min.) G-90 Galv. (See Note #2 Sht. 2 of 4) 24"x125" 18"x125" 24"x65" (Above Door)
FASTENERS	
Panels secured to the Tubular Steel Frame with 1/4" Hex Head, PK Kote, Fasteners and Neoprene Washers self-Topping 9.0" O.C. (MAX.)	
UNIT BASE	
Fully Welded 0.123" (min.) Thick Structural Steel Tubing with intermediate 0.0747" (min.) Thick C-Channel Cross Supports at 24" O.C. (See Notes Sht. 4 of 4)	
UNIT FLOORS	
Inner walk on Floor is 0.0635"(min.) G-90 Galv. Steel Outer Floor is 0.0396"(min.) G-90 Galv. Steel	
UNIT FRAMEWORK	
0.0635"(min.) Tubular Steel Framework @ 24" O.C. (MAX.)	
ACCESS DOOR (21" x 57")	
0.0635"(min.) G-90 Galv. (Outer) 0.0396"(min.) G-90 Galv. (Inner) Allegis / Ventlock Handles Heavy-Duty Hinges by Temtrol (ZINC PLATED)	
WEATHERSTRIPPING	
1 Row Rubber Bulb Gasket Full Perimeter Of Inner Door From. 1 Row Closed-Cell EPDM Gasket, 1/2" x 3/8" Full Perimeter Of Door Panel.	

PRODUCT RENEWED as complying with the Florida Building Code
 Acceptance No. 14-0311.09
 Expiration Date: 04/15/2019
 By *He... ..*
 Miami Dade Product Control

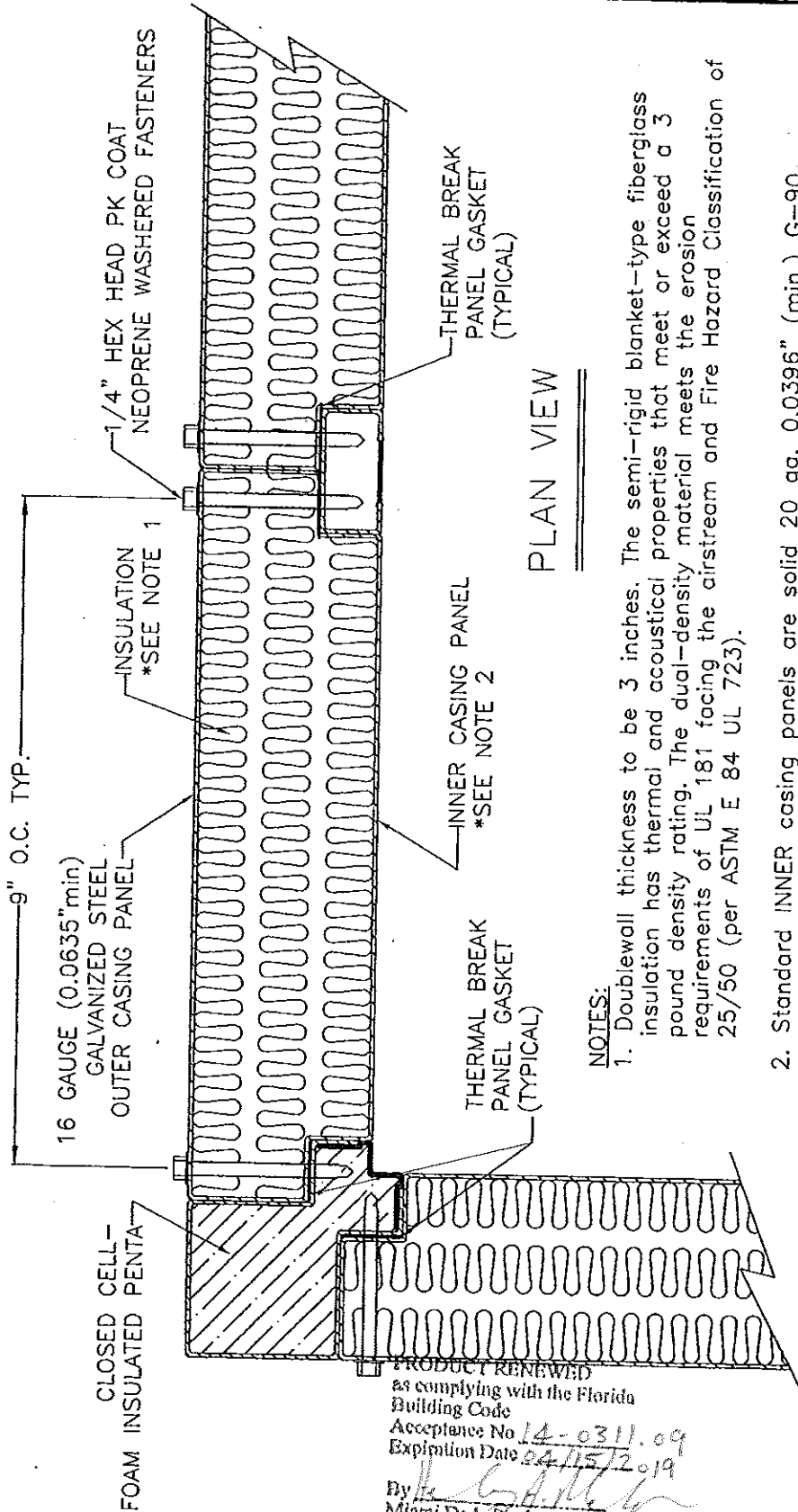


TEMRTOL SERIES "ITF" AIR HANDLING UNIT

3-10-09

PANEL ASSEMBLY

1 OF 6



PLAN VIEW

NOTES:

1. Doublewall thickness to be 3 inches. The semi-rigid blanket-type fiberglass insulation has thermal and acoustical properties that meet or exceed a 3 pound density rating. The dual-density material meets the erosion requirements of UL 181 facing the airstream and Fire Hazard Classification of 25/50 (per ASTM E 84 UL 723).
2. Standard INNER casing panels are solid 20 ga. 0.0396" (min.) G-90 GALVANIZED STEEL which may be used in any combination as may be required throughout the air handling unit casing.
3. For maximum Roof/Floor & Wall panel sizes and details. (See Sht. 1 of 4).
4. Maximum Wall panel's design pressure = +65/-65 PSF
5. Maximum Roof/Floor panel's design pressure = +48.75/-48.75 PSF
6. The wall are stiffened full perimeter on the interior with 4 - $\frac{1}{4}$ "x3" HAT CHANNELS located 62" above the floor. They are attached with $\frac{1}{4}$ " hex head screws with integral neoprene washers and joined at the corners with 1"x1" steel angles and 4 screws.

Approved as complying with the Florida Building Code
 Date 04/15/2009
 NOAH 08-0822.70
 Miami Dade Product Control
 Division
 By Helmut A. Weber

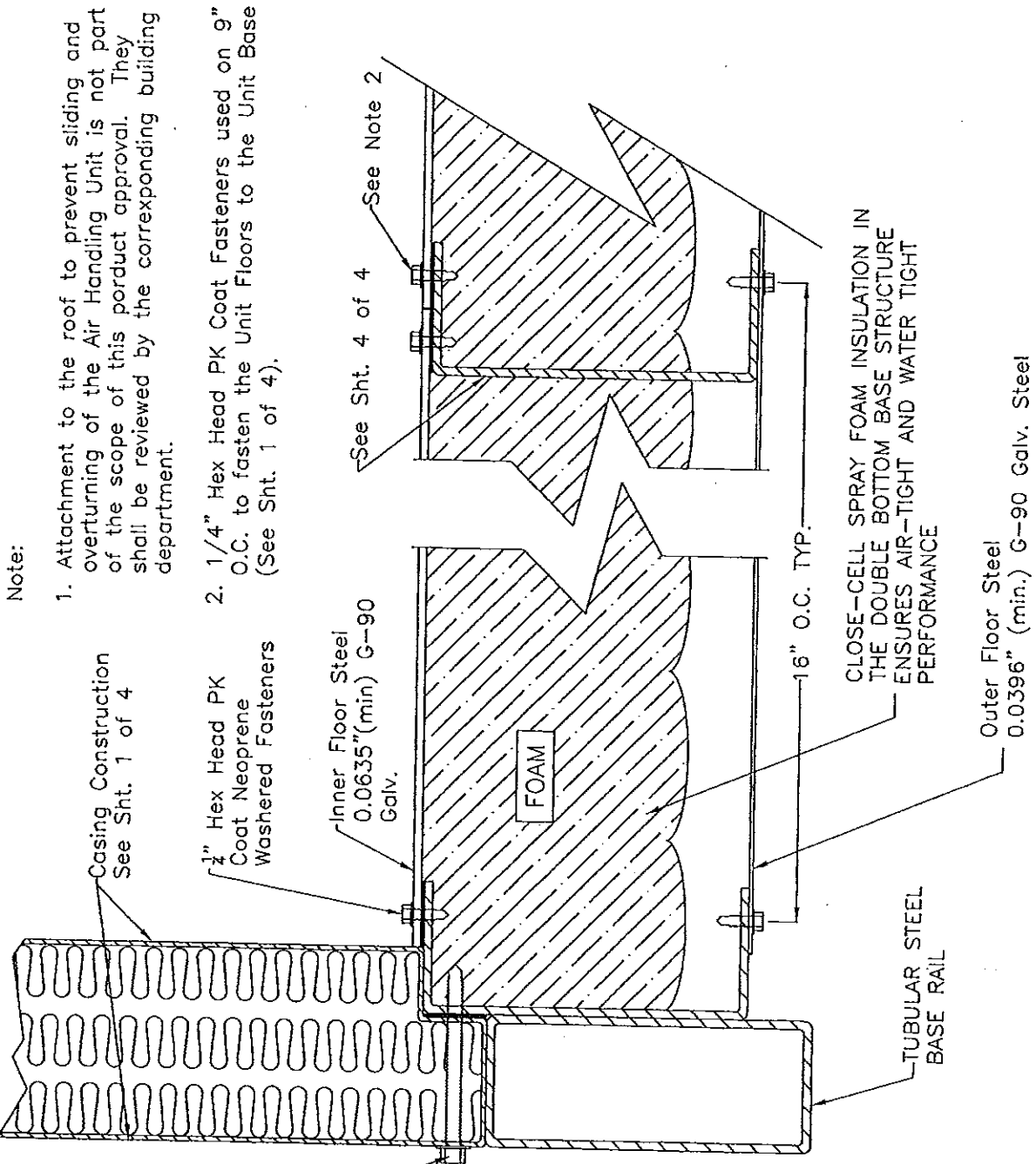
PRODUCT RENEWED
 as complying with the Florida Building Code
 Acceptance No 14-0311.09
 Expiration Date 04/15/2019
 By [Signature]
 Miami Dade Product Control

[Signature]
 Robert A. Gal

t Temtrol
 www.temtrol.com
 15 EAST OKLAHOMA AVENUE OKMOHE, OK 73162
 PH (405) 263-7288 FAX (405) 263-6924

TEMRTOL SERIES "ITF" AIR HANDLING UNIT
 PANEL/TUBULAR CONSTRUCTION

3-10-09
 2 OF 6



Note:

1. Attachment to the roof to prevent sliding and overturning of the Air Handling Unit is not part of the scope of this product approval. They shall be reviewed by the corresponding building department.
2. 1/4" Hex Head PK Coat Fasteners used on 9" O.C. to fasten the Unit Floors to the Unit Base (See Sht. 1 of 4).

PRODUCT RENEWED
 as complying with the Florida
 Building Code
 Acceptance No 14-0311-09
 Expiration Date 04/15/2019
 By *[Signature]*
 Miami Dade Product Control

1/4" Hex Head PK
 Coat Neoprene
 Washered Fasteners
 9" O.C. TYP.

Approved as complying with the
 Florida Building Code
 Date 04/15/2009
 NOA# 08-0822-70
 Miami Dade Product Control
 Division
 By *[Signature]*

[Signature]
 Robert A. Gal

t Temtrol
 www.temtrol.com

15 EAST OKLAHOMA AVENUE OKLAHOMA, OK 73102
 PH: (405) 283-7284 FAX: (405) 283-6924

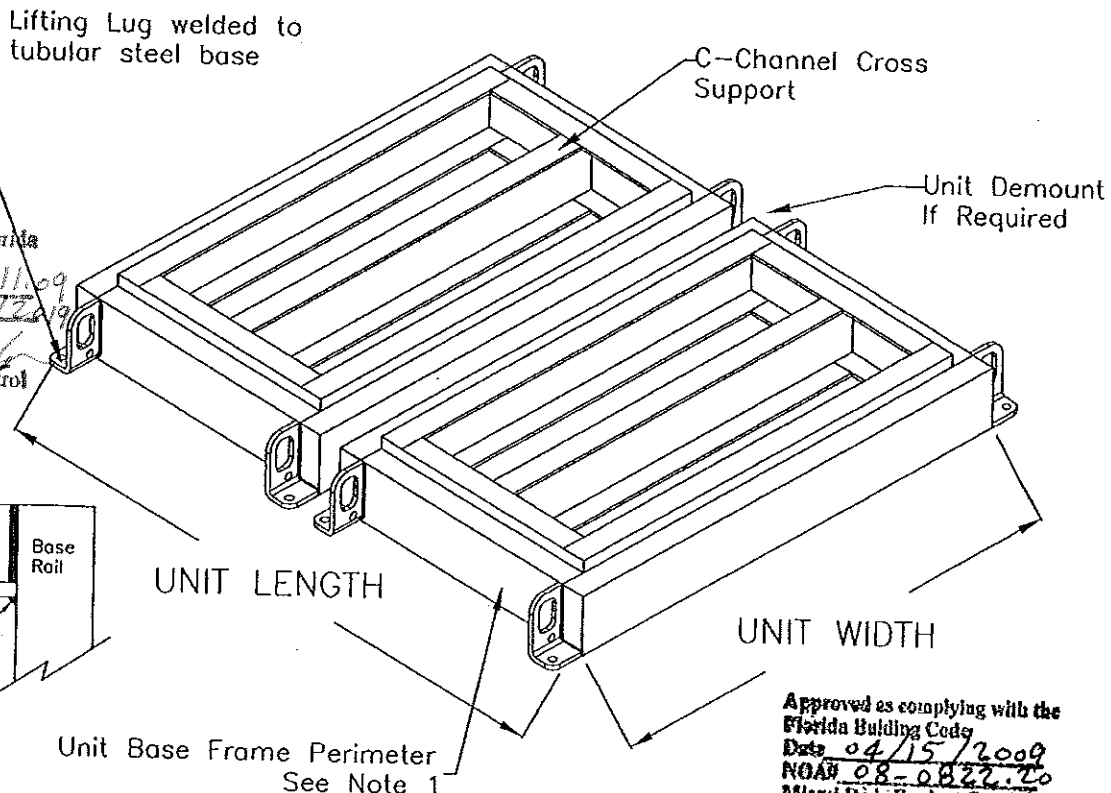
TEMRTOL SERIES "ITF" AIR HANDLING UNIT

3-10-09

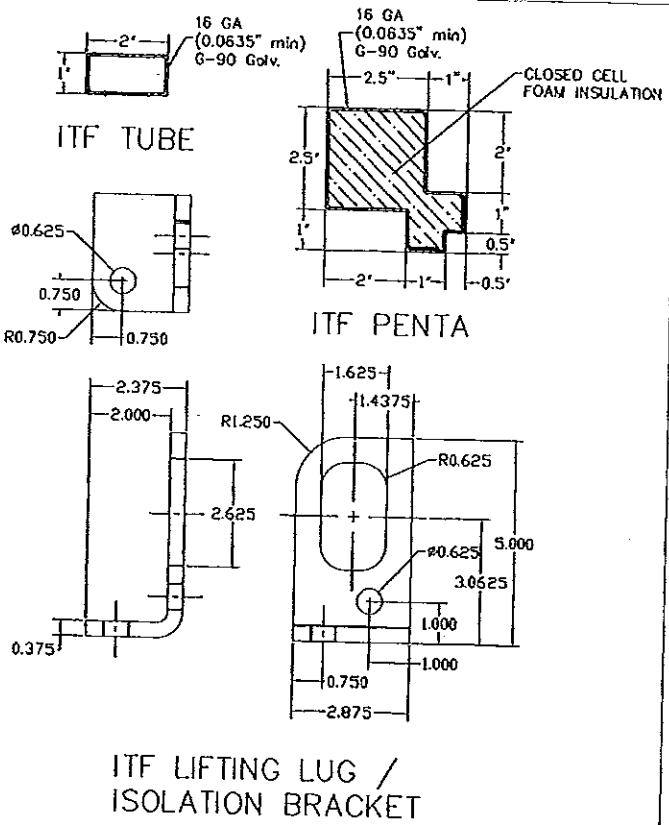
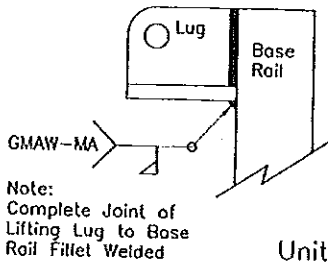
BASE CONSTRUCTION

3 OF 6

PRODUCT RENEWED
 as complying with the Florida
 Building Code
 Acceptance No. 14-0311-09
 Expiration Date 04/15/2009
 By Heidi G. Miller
 Miami Dade Product Control



Approved as complying with the
 Florida Building Code
 Date 04/15/2009
 NOAH 08-0822-20
 Miami Dade Product Control
 Division
 By Robert A. Gal



- Notes:
- All joints of structural members are continuously arc welded.
 - Unit Base as shown is completely primed and painted prior floor panel attachment.
 - The unit base frame perimeter is fully welded 0.125"(min.) thickness structural steel tubing and fitted with C-Channel cross support members on 24" O.C. (max.).
 - Air Handling Unit size can vary, but spacing of Tubular Steel Framework not to exceed maximum Roof/Floor and Wall panel width as shown on Sheet 1 of 4.
 - Design and Size of tubular steel framework/base rail will vary and their structural adequacy as well as that of the support and attachment to the roof are not part of the scope of this approval. This shall be reviewed by the corresponding building departments.
 - ASTM E8-03**
 Test Method: The test specimens were evaluated in accordance with ASTM E8-03, Standard Test Methods for Tensile Testin of Metallic Materials. The test specimens were machined and sized in compliance with section 6.0 of the standard. The specimens were tested using a Satec 50UD Universol Machine with a cross head speed of 0.2 in/min.
 - Galvanized Steel Conforms to ASTM A-653.
 Grade: Commercial Steel Type B.
 Tubular Steel Conforms to ASTM A9500.
 Structural Tubing Grade B.

Robert A. Gal

t Temtrol
 www.tentrol.com
 15 EAST DELAWARE AVENUE, DUNBAR, OK 73762
 PH (405) 263-7286 FAX (405) 262-4924

TEMRTOL SERIES "ITF" AIR HANDLING UNIT

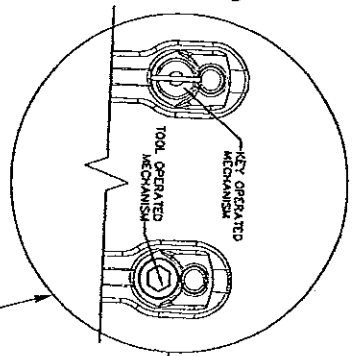
3-10-09

BASE CONSTRUCTION

4 OF 6

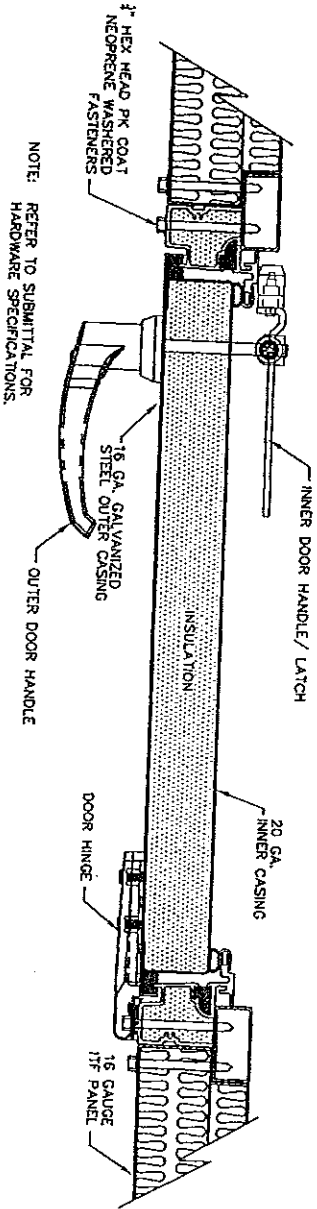
AVAILABLE OPTIONS:

1.) Tool operated or key operated safety latch furnished on the fan section access door. The latch complies with title 8 CAL-OSHA, ETL and the mechanical protection requirements of UL 1995.



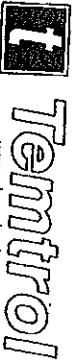
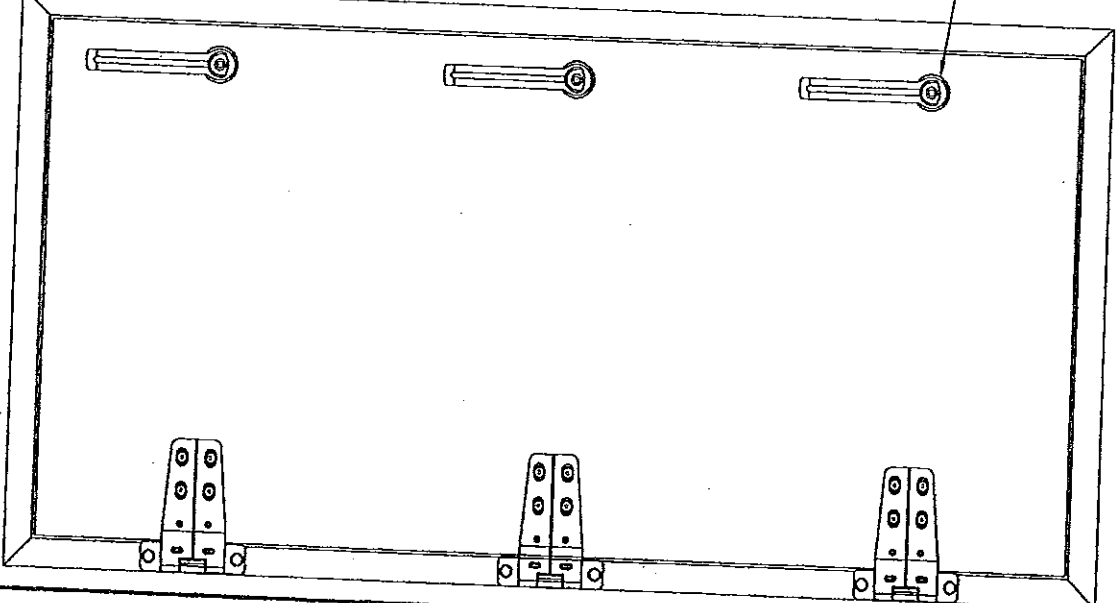
Approved as exemplifying with the Florida Building Code,
 Date: 04/15/2009
 NOA# 08-0872-20
 Miami Design Products Contract Division/
 By: *Henry A. Miller*

PRODUCT REVIEWED
 as complying with the Florida Building Code
 Acceptance No 14-0311-09
 Expiration Date 04/15/2019
 By: *Henry A. Miller*
 Miami Design Products Contract



NOTE: REFER TO SUBMITTAL FOR HARDWARE SPECIFICATIONS.

Robert D. Wald



15 EAST OKMUNGA AVENUE, OKMUNGA, OK 73162
 WWW.TENTROL.COM
 POC (405) 263-7200 FAX (405) 263-9924

**ITF ACCESS DOOR
 DETAIL**

File Name:
 ITF Door Detail.dwg

Date:
 3-10-09

5 of 6

ADJUSTMENT INSTRUCTIONS

(ALL ADJUSTMENTS TO BE MADE WITH 1/8" ALLEN WRENCH)

1. VERTICAL ADJUSTMENT:

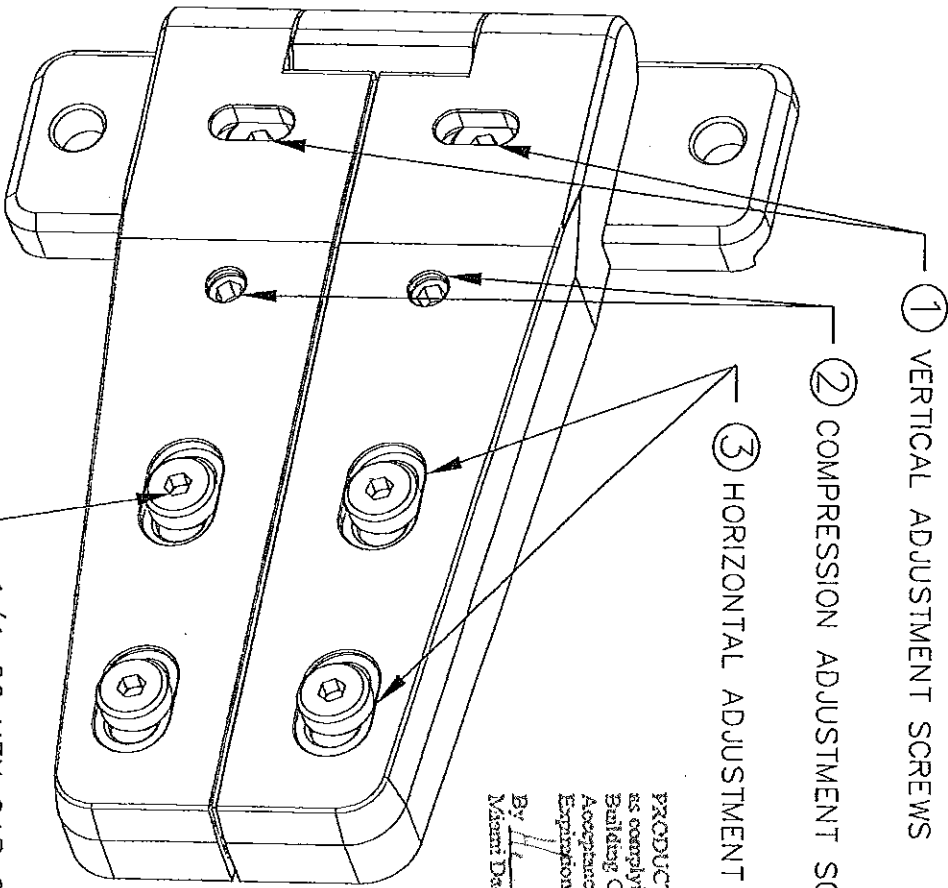
- A. LOOSEN VERTICAL ADJUSTMENT SCREWS ON TOP AND BOTTOM HINGES.
- B. RAISE OR LOWER DOOR ACCORDINGLY.
- C. TIGHTEN VERTICAL ADJUSTMENT SCREWS ON TOP AND BOTTOM HINGES.

2. COMPRESSION ADJUSTMENT:

- A. ADJUST THE TWO COMPRESSION ADJUSTMENT SCREWS ON BOTH THE TOP AND BOTTOM HINGES BY TURNING THEM TO ACHIEVE THE DESIRED COMPRESSION OF THE DOOR AGAINST THE SEAL.

3. HORIZONTAL ADJUSTMENT:

- A. LOOSEN FOUR HORIZONTAL ADJUSTMENT SCREWS ON TOP HINGE, AND FOUR HORIZONTAL ADJUSTMENT SCREWS ON BOTTOM HINGE.
- B. MOVE DOOR LEFT OR RIGHT ACCORDINGLY.
- C. TIGHTEN THE EIGHT HORIZONTAL ADJUSTMENT SCREWS ON TOP AND BOTTOM HINGES.

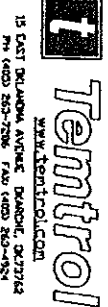


1/4-20 HEX CAP SCREW
ASME B18.3 GRADE 8

PRODUCT REVIEWED
as complying with the Florida
Building Code
Acceptance No. 14-0311.09
Expiration Date 04/15/2019
By: *[Signature]*
Miami Dade Product Control

Approved as complying with the
Florida Building Code
Date 04/15/2009
NOA# 08-0822-20
Miami Dade Fireworks Control
Division
By: *[Signature]*

[Signature]



ALLEGIS HINGE ADJUSTMENT INSTRUCTIONS

File Name: ALLEGIS HINGE INSTR.dwg
Date: 3-10-09
6 of 6