



DEPARTMENT OF REGULATORY AND ECONOMIC RESOURCES (RER)
BOARD AND CODE ADMINISTRATION DIVISION

MIAMI-DADE COUNTY
PRODUCT CONTROL SECTION
11805 SW 26 Street, Room 208
T (786) 315-2590 F (786) 315-2599
www.miamidade.gov/economy

NOTICE OF ACCEPTANCE (NOA)

Eco Window Systems, LLC
9114 NW 106 Street
Medley, FL 33178

SCOPE:

This NOA is being issued under the applicable rules and regulations governing the use of construction materials. The documentation submitted has been reviewed and accepted by Miami-Dade County RER - Product Control Section to be used in Miami Dade County and other areas where allowed by the Authority Having Jurisdiction (AHJ).

This NOA shall not be valid after the expiration date stated below. The Miami-Dade County Product Control Section (In Miami Dade County) and/or the AHJ (in areas other than Miami Dade County) reserve the right to have this product or material tested for quality assurance purposes. If this product or material fails to perform in the accepted manner, the manufacturer will incur the expense of such testing and the AHJ may immediately revoke, modify, or suspend the use of such product or material within their jurisdiction. RER reserves the right to revoke this acceptance, if it is determined by Miami-Dade County Product Control Section that this product or material fails to meet the requirements of the applicable building code.

This product is approved as described herein, and has been designed to comply with the Florida Building Code, including the High Velocity Hurricane Zone.

DESCRIPTION: Series "Eco-Guard 200" Aluminum Horizontal Rolling Window -- S.M.I.

APPROVAL DOCUMENT: Drawing No. **W14-15**, titled "Eco-Guard Series-200 Alum Horiz. Rolling Wdw. (S.M.I.)", sheets 1 through 6 of 6, dated 04/02/14, with revision A dated 05/28/14, prepared by Al-Farooq Corporation, signed and sealed by Javad Ahmad, P.E., bearing the Miami-Dade County Product Control Approval stamp with the Notice of Acceptance number and approval date by the Miami-Dade County Product Control Section.

MISSILE IMPACT RATING: Small Missile Impact Resistant

LABELING: Each unit shall bear a permanent label with the manufacturer's name or logo, city, state, model/series, and following statement: "Miami-Dade County Product Control Approved", unless otherwise noted herein.

RENEWAL of this NOA shall be considered after a renewal application has been filed and there has been no change in the applicable building code negatively affecting the performance of this product.

TERMINATION of this NOA will occur after the expiration date or if there has been a revision or change in the materials, use, and/or manufacture of the product or process. Misuse of this NOA as an endorsement of any product, for sales, advertising or any other purposes shall automatically terminate this NOA. Failure to comply with any section of this NOA shall be cause for termination and removal of NOA.

ADVERTISEMENT: The NOA number preceded by the words Miami-Dade County, Florida, and followed by the expiration date may be displayed in advertising literature. If any portion of the NOA is displayed, then it shall be done in its entirety.

INSPECTION: A copy of this entire NOA shall be provided to the user by the manufacturer or its distributors and shall be available for inspection at the job site at the request of the Building Official.

This NOA consists of this page 1 and evidence page E-1, as well as approval document mentioned above. The submitted documentation was reviewed by **Manuel Perez, P.E.**



Handwritten signature and date: 6/6/14

NOA No. 14-0415.05
Expiration Date: June 19, 2019
Approval Date: June 19, 2014
Page 1

NOTICE OF ACCEPTANCE: EVIDENCE SUBMITTED

A. DRAWINGS

1. Manufacturer's die drawings and sections.
2. Drawing No **W14-15**, titled "Eco-Guard Series-200 Alum. Horiz. Rolling Wdw. (S.M.I.)", sheets 1 through 6 of 6, dated 04/02/14, with revision A dated 05/28/14, prepared by Al-Farooq Corporation, signed and sealed by Javad Ahmad, P.E.

B. TESTS

1. Test reports on:
 - 1) Air Infiltration Test, per FBC, TAS 202-94
 - 2) Uniform Static Air Pressure Test, Loading per FBC, TAS 202-94
 - 3) Water Resistance Test, per FBC, TAS 202-94
 - 4) Small Missile Impact Test per FBC, TAS 201-94
 - 5) Cyclic Wind Pressure Loading per FBC, TAS 203-94along with marked-up drawings and installation diagram of an Eco-Guard series 200 aluminum horizontal rolling window, prepared by Fenestration Testing Laboratory, Inc., Test Report No. **FTL-7748**, dated 03/10/14, signed and sealed by Marlin D. Brinson, P.E.

C. CALCULATIONS

1. Anchor verification calculations and structural analysis, complying with **FBC 5th Edition (2014)**, dated 04/01/14, prepared by Al-Farooq Corporation, signed and sealed by Javad Ahmad, P.E.
2. Glazing complies with **ASTM E1300-09**

D. QUALITY ASSURANCE

1. Miami-Dade Department of Regulatory and Economic Resources (RER)

E. MATERIAL CERTIFICATIONS

1. Notice of Acceptance No. **13-0129.27** issued to **E.I. DuPont DeNemours & Co., Inc.** for their "**DuPont Butacite® PVB Interlayer**" dated 04/11/13, expiring on 12/11/16.

F. STATEMENTS

1. Statement letter of conformance, complying with **FBC-5th Edition (2014)**, and of no financial interest, dated April 02, 2014, issued by Al-Farooq Corporation, signed and sealed by Javad Ahmad, P.E.
2. Proposal issued by the Product Control Section, dated 01-29-14, signed by Jaime Gascon, P.E., Supervisor, Product Control Section.

G. OTHER

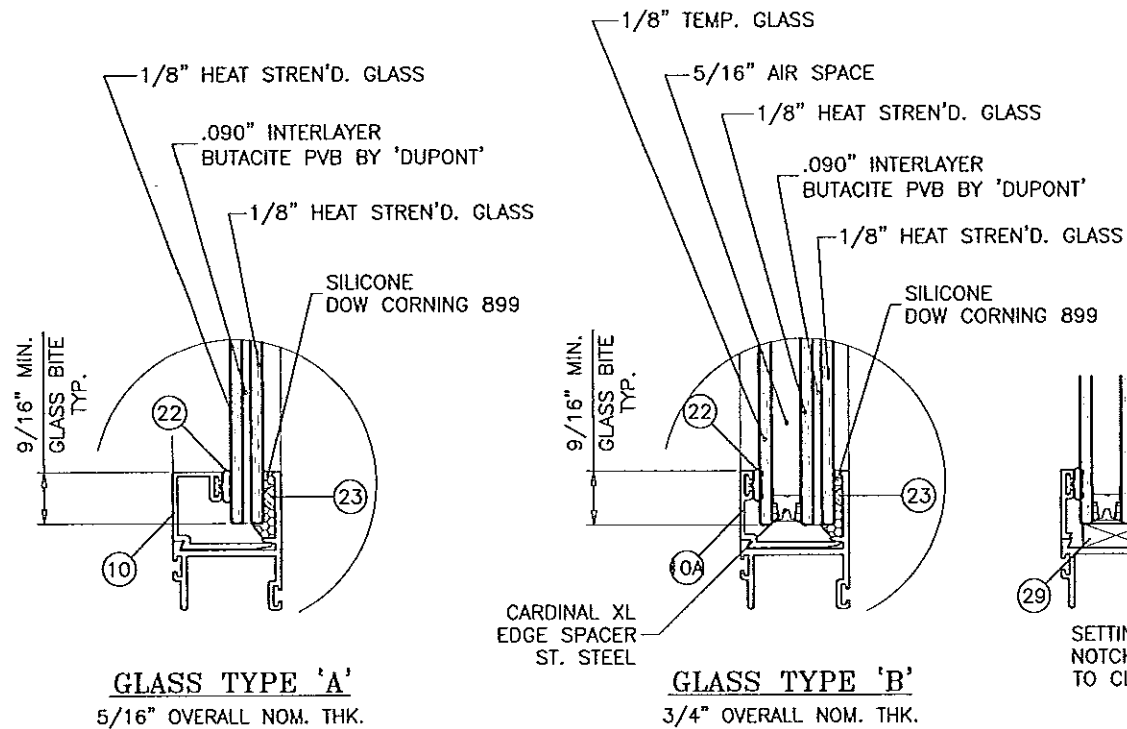
1. None.


Manuel Perez, P.E.

Product Control Examiner
NOA No. 14-0415.05

Expiration Date: June 19, 2019

Approval Date: June 19, 2014



GLAZING OPTIONS

THESE WINDOWS ARE RATED FOR SMALL MISSILE IMPACT.
 MIAMI-DADE COUNTY APPROVED IMPACT RESISTANT SHUTTERS REQUIRED
 FOR INSTALLATIONS UP TO 30 FT. OF GRADE.
 SHUTTERS NOT REQD. FOR INSTALLATIONS ABOVE 30 FT. OF GRADE.

**ECO-GUARD SERIES-200
 ALUMINUM HORIZONTAL ROLLING WINDOW**

APPROVAL APPLIES TO SINGLE UNITS OR SIDE BY SIDE
 COMBINATIONS OF H.R./H.R. OR HORIZONTAL ROLLING WITH OTHER
 WINDOW TYPES IN MODULES OF TWO OR MORE WINDOWS USING
 MIAMI-DADE COUNTY APPROVED MULLIONS IN BETWEEN.
 LOWER DESIGN PRESSURE FROM WINDOWS OR MULLION APPROVAL
 WILL APPLY TO ENTIRE SYSTEM.

THIS PRODUCT HAS BEEN DESIGNED AND TESTED TO COMPLY WITH THE
 REQUIREMENTS OF THE FLORIDA BUILDING CODE INCLUDING HIGH VELOCITY
 HURRICANE ZONE (HVHZ).

WOOD BUCKS BY OTHERS, MUST BE ANCHORED PROPERLY TO TRANSFER
 LOADS TO THE STRUCTURE.

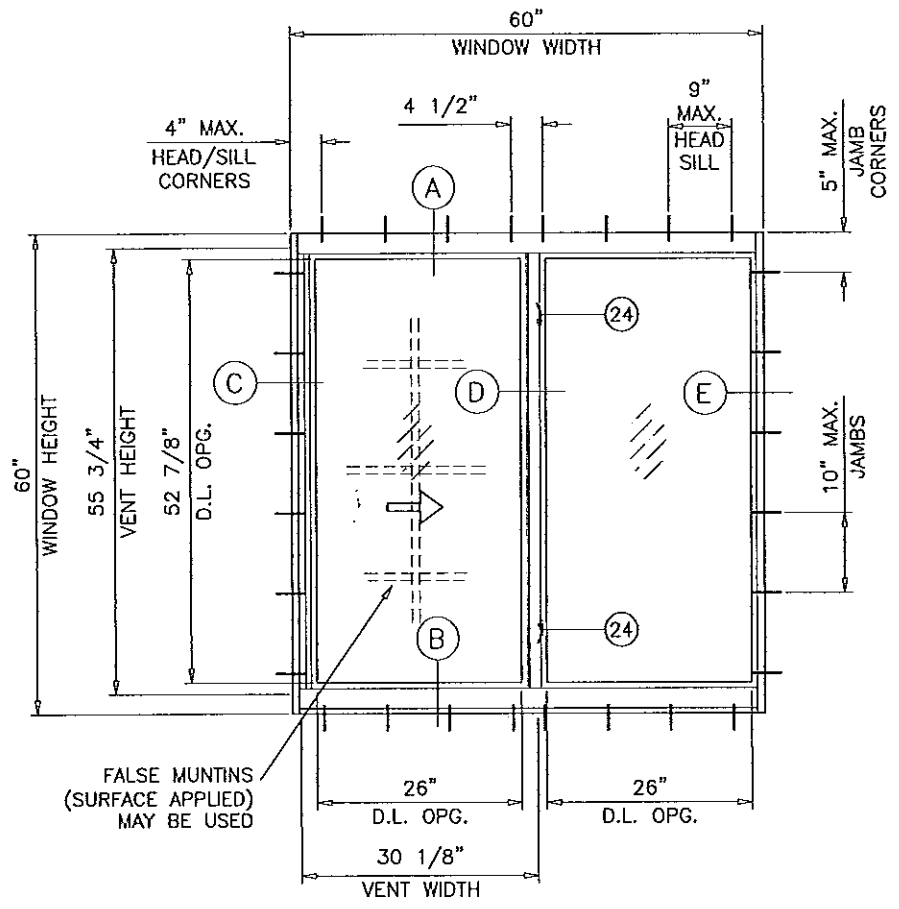
ANCHORS SHALL BE AS LISTED, SPACED AS SHOWN ON DETAILS, ANCHORS
 EMBEDMENT TO BASE MATERIAL SHALL BE BEYOND WALL DRESSING OR STUCCO.

ANCHORING OR LOADING CONDITIONS NOT SHOWN IN THESE DETAILS ARE
 NOT PART OF THIS APPROVAL.

A LOAD DURATION INCREASE IS USED IN DESIGN OF ANCHORS INTO WOOD ONLY.

ALL SHIMS TO BE HIGH IMPACT, NON-METALLIC AND NON-COMPRESSIBLE.

MATERIALS INCLUDING BUT NOT LIMITED TO STEEL/METAL SCREWS, THAT
 COME INTO CONTACT WITH OTHER DISSIMILAR MATERIALS SHALL MEET THE
 REQUIREMENTS OF THE FLORIDA BLDG. CODE.



TYPICAL ELEVATION

GLASS TYPES 'A' & 'B'
 MAXIMUM DESIGN LOAD RATING = + 67.0 PSF
 (FOR SIZES SHOWN ABOVE OR SMALLER) - 119.0 PSF

NOTE:
 GLASS CAPACITIES ON THIS SHEET ARE
 BASED ON ASTM E1300-09 (3 SEC. GUSTS)
 AND FLORIDA BUILDING COMMISSION
 DECLARATORY STATEMENT DCA05-DEC-219

Engr: JAVAD AHMAD
 CIVIL
 FLA. PE # 70592
 C.A.N. 3538
 MAY 2/B 2014

Approved as complying with the
 Florida Building Code
 Date: June 17, 2014
 NOAH 14-0415.05
 Miami Dade Product Control
 By: Manuel Perez

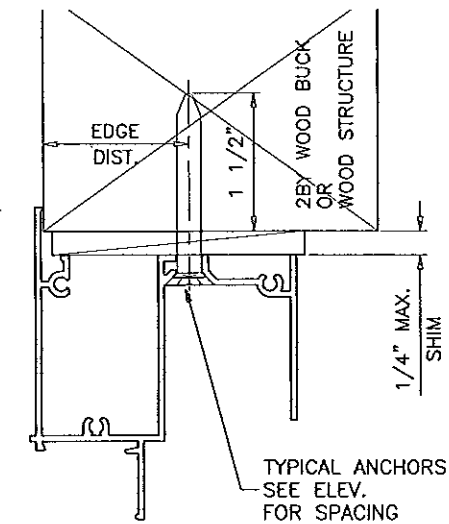
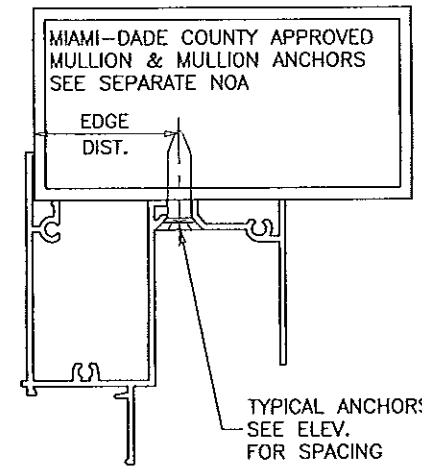
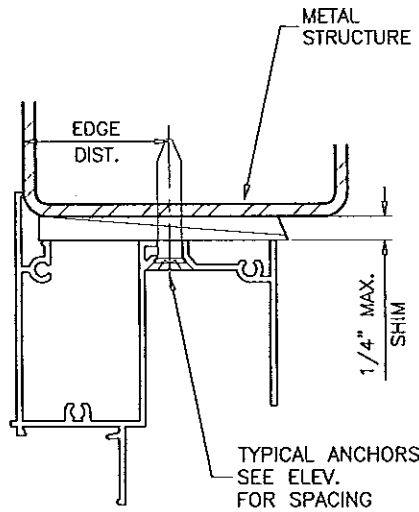
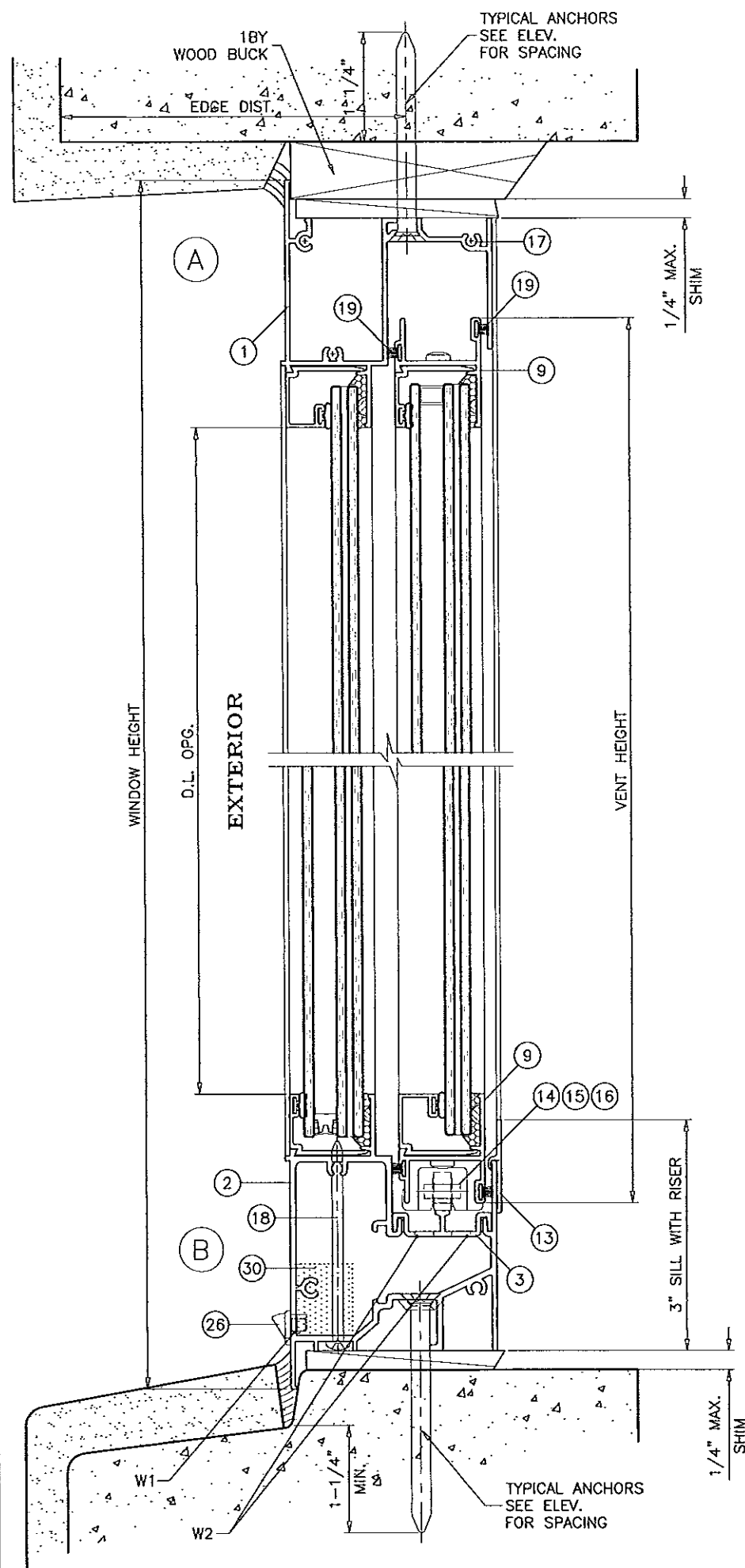
af c
AL-FAROOQ CORPORATION
 ENGINEERS & PRODUCT DEVELOPMENT
 12395 S.W. 87 AVE
 MIAMI, FLORIDA 33174
 TEL (305) 264-8100 FAX (305) 262-6978
 COMP-ANL\W14-15ECO

ECO-GUARD SERIES-200 ALUM. HORIZ. ROLLING WDW. (S.M.I.)
ECO WINDOW SYSTEMS, LLC.
 9114 N.W. 106 STREET
 MEDLEY, FL. 33178
 TEL. (305) 885-5299 FAX (305) 885-5902

revisions:	no	date	by	description
	A	05.28.14		REV. PER RER COMMENTS

date:	04-02-14
scale:	1/2"=1'-0"
dr. by:	HAMID
chk. by:	

drawing no.	W14-15
sheet	1 of 6



WOOD BUCKS AND METAL STRUCTURE NOT BY ECO WDW. MUST SUSTAIN LOADS IMPOSED BY GLAZING SYSTEM AND TRANSFER THEM TO THE BUILDING STRUCTURE.

WEEPHOLES:

- W1 = 1/4" X 1-1/2" WEEPHOLES WITH BAFFLE AT 3-3/4" FROM EACH END AND AT MIDSPAN
- W2 = 1/4" X 1" WEEPHOLES AT 10-5/8" FROM EACH END AND AT MIDSPAN

SEALANT:

ALL JOINTS AND FRAME CONNECTIONS SEALED WITH JOINT SEALER.

TYPICAL ANCHORS: SEE ELEV. FOR SPACING

- 1/4" DIA. TAPCON BY 'ITW' (Fu=120 KSI, Fy=92 KSI)
- 1/4" DIA. ULTRACON BY 'ELCO' (Fu=177 KSI, Fy=155 KSI)
- INTO 2BY WOOD BUCKS OR WOOD STRUCTURES
- 1-1/2" MIN. PENETRATION INTO WOOD

THRU 1BY BUCKS INTO CONC. OR MASONRY

1-1/4" MIN. EMBED INTO CONC. OR MASONRY

#14 SMS OR SELF DRILLING SCREWS (GRADE 2 CRS) INTO METAL STRUCTURES

STEEL : 1/8" THK. MIN. (Fy = 36 KSI MIN.)
 ALUMINUM : 1/8" THK. MIN. (6063-T5 MIN.)
 (STEEL IN CONTACT WITH ALUMINUM TO BE PLATED OR PAINTED)

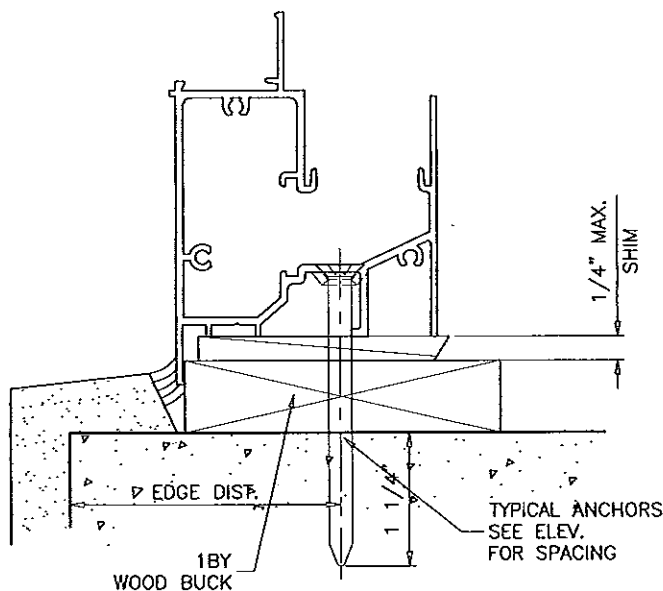
#14 SMS OR SELF DRILLING SCREWS (GRADE 2 CRS)

INTO MIAMI-DADE COUNTY APPROVED MULLIONS (MIN. THK. = 1/8")
 (NO SHIM SPACE)

TYPICAL EDGE DISTANCE

- INTO CONCRETE AND MASONRY = 2-1/2" MIN.
- INTO WOOD STRUCTURE = 1" MIN.
- INTO METAL STRUCTURE = 3/4" MIN.

CONCRETE AT HEAD, SILL OR JAMBS f'c = 3000 PSI MIN.
 C-90 HOLLOW/FILLED BLOCK AT JAMBS f'm = 2000 PSI MIN.



Engr: JAVAD AHMAD
 CIVIL
 FLA. PE # 70592
 C.A.N. 3523
 MAY 28 2014

Approved as complying with the Florida Building Code
 Date: June 19, 2014
 NOA# 14-0415-02
 Miami Dade Product Control
 By: *Manuel Lopez*

AL-FAROOQ CORPORATION
 ENGINEERS & PRODUCT DEVELOPMENT
 1235 S.W. 87 AVE
 MIAMI, FLORIDA 33174
 TEL. (305) 264-8400 FAX. (305) 262-6978
 COMP-ANL\W14-15ECO

ECO-GUARD SERIES-200 ALUM HORIZ. ROLLING WDW. (S.M.I.)
ECO WINDOW SYSTEMS, LLC.
 9114 N.W. 106 STREET
 MEDLEY, FL. 33178
 TEL. (305) 885-5299 FAX (305) 885-5902

NO	DATE	BY	DESCRIPTION
A	05.28.14		REV. PER RER COMMENTS

date:	04-02-14
scale:	1/2" = 1"
dr. by:	HAMID
chk. by:	

drawing no. **W14-15**
 sheet 2 of 6

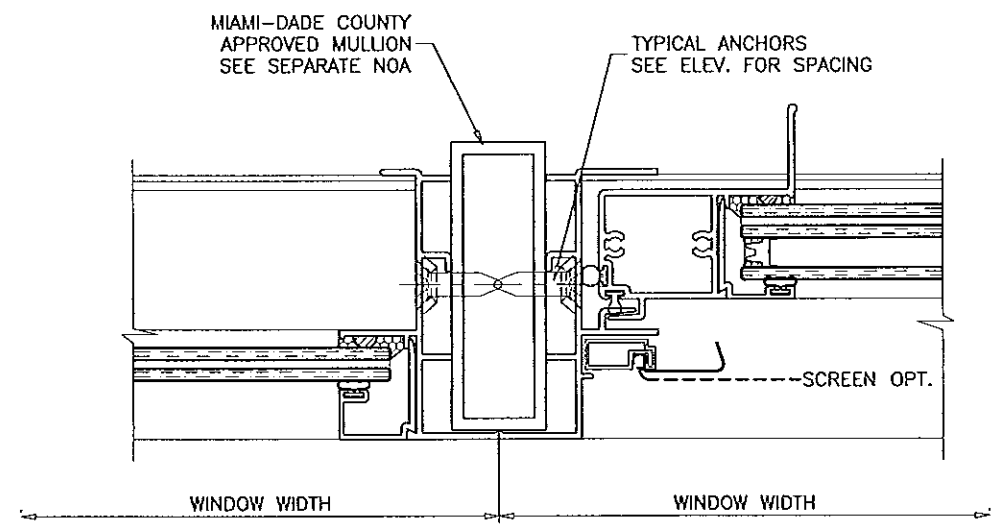
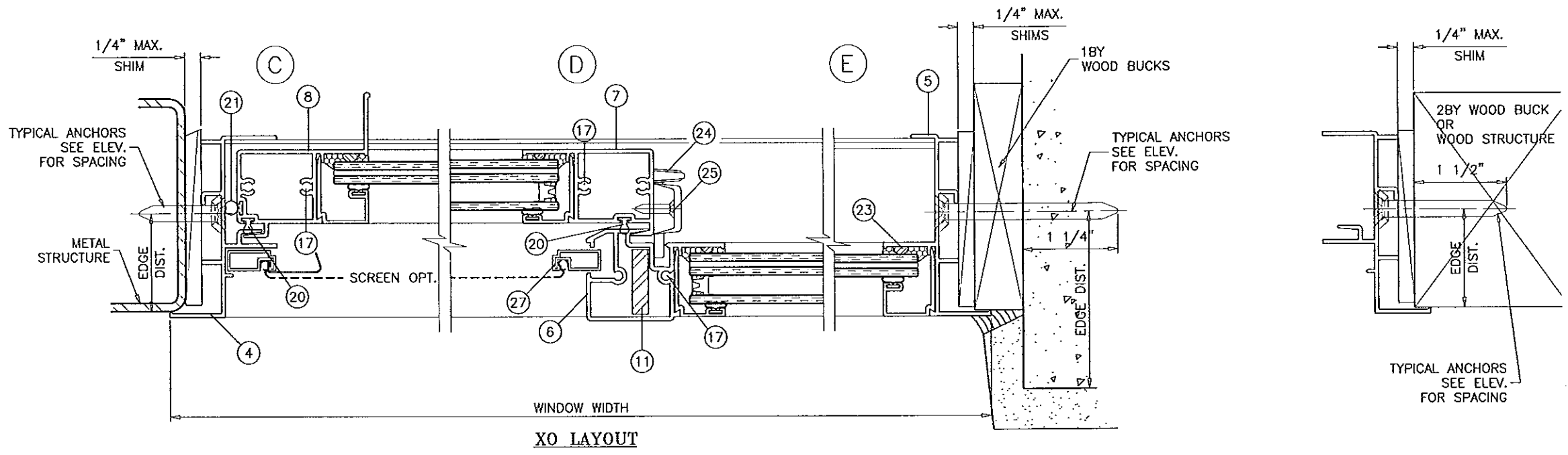
af c
AL-FAROOQ CORPORATION
 ENGINEERS & PRODUCT DEVELOPMENT
 1235 S.W. 87 AVE
 MIAMI, FLORIDA 33174
 TEL. (305) 264-8100 FAX. (305) 262-6978
 COMP-ANL\W14-15ECO

ECO-GUARD SERIES-200 ALUM HORIZ. ROLLING WDW. (S.M.I.)
ECO WINDOW SYSTEMS, LLC.
 9114 N.W. 106 STREET
 MEDLEY, FL. 33178
 TEL. (305) 885-5299 FAX (305) 885-5902

no	date	by	description
A	05.28.14		REV. PER RER COMMENTS

date: 04-02-14
 scale: 1/2" = 1"
 dr. by: HAMID
 chk. by:

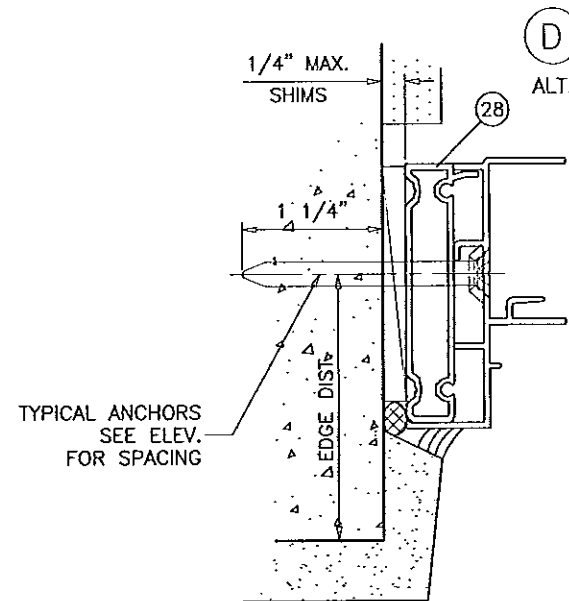
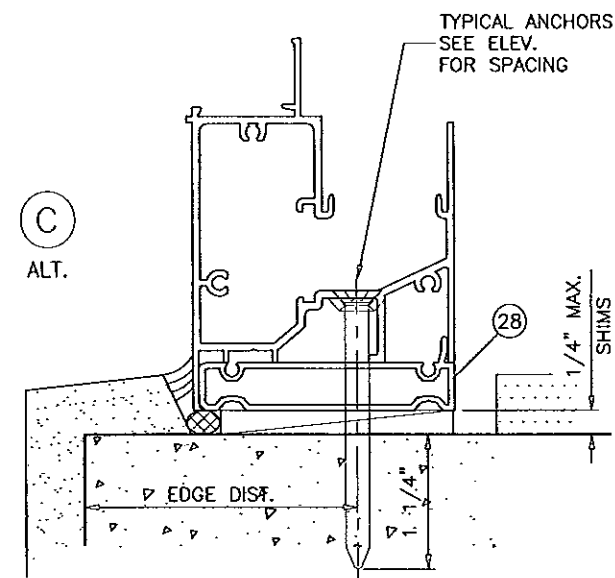
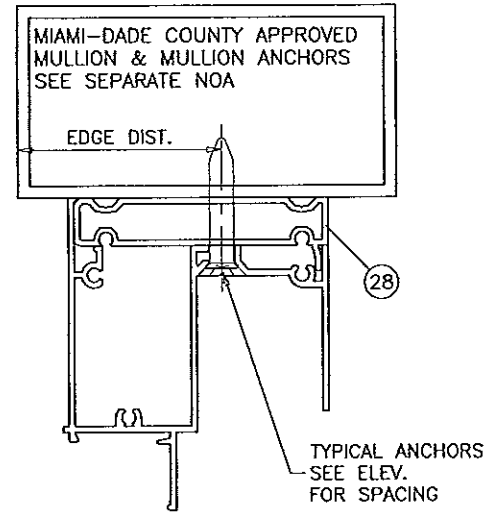
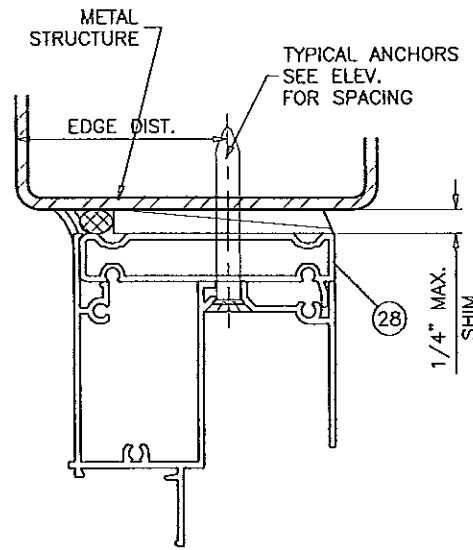
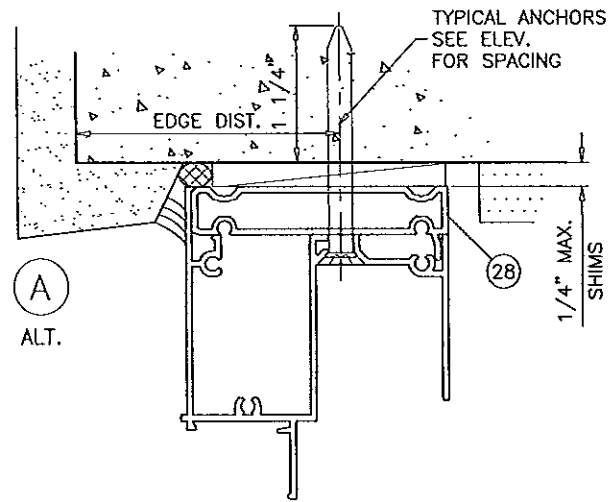
drawing no.
W14-15
 sheet 3 of 6



Engr: JAVAD AHMAD
 CIVIL
 FLA. PE # 70592
 C.A.N. 3538
MAY 28 2014

Approved as complying with the
 Florida Building Code
 Date _____
 NOA# _____
 Miami Dade Product Control

By _____



INSTALLATION DETAILS WITH FLUSH FRAME ADAPTER

Engr: JAVAD AHMAD
 CIVIL
 FLA. PE # 70592
 C.A.N. 3538
 MAY 28 2014

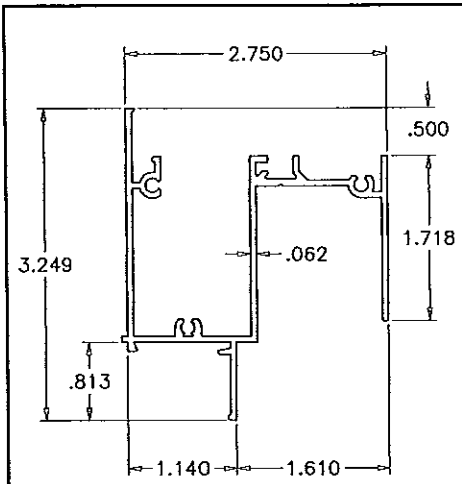
Approved as complying with the
 Florida Building Code
 Date: June 19, 2014
 NOA# 14-0415-05
 Miami Dade Product Control
 by: Manuel Perez

af c
AL-FAROOQ CORPORATION
 ENGINEERS & PRODUCT DEVELOPMENT
 1235 S.W. 87 AVE
 MIAMI, FLORIDA 33174
 TEL. (305) 264-8100 FAX. (305) 262-6978
 COMP-ANL\W14-15ECO

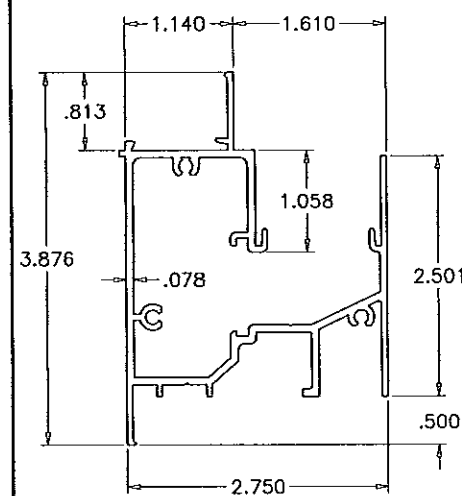
ECO-GUARD SERIES-200 ALUM HORIZ. ROLLING WDW. (S.M.I.)
ECO WINDOW SYSTEMS, LLC.
 9114 N.W. 106 STREET
 MEDLEY, FL. 33178
 TEL. (305) 885-5299 FAX (305) 885-5902

no.	date	by	description
A	05.28.14		REV. PER COMMENTS

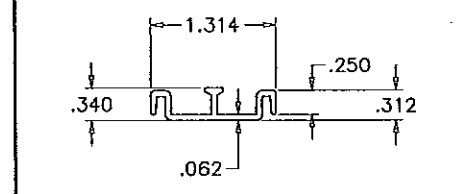
date: 04-02-14	scale: 1/2" = 1"	dr. by: HAMID	chk. by:
drawing no. W14-15			
sheet 4 of 6			



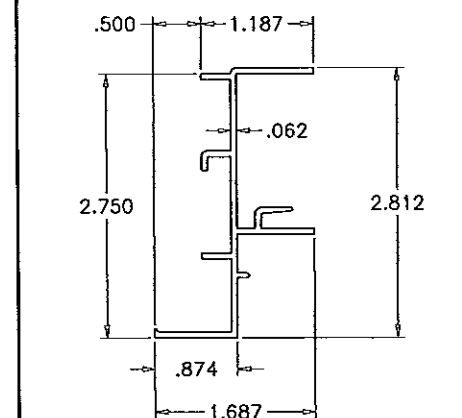
① FRAME HEAD



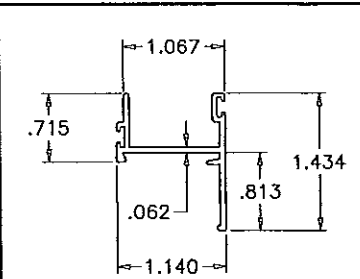
② FRAME SILL



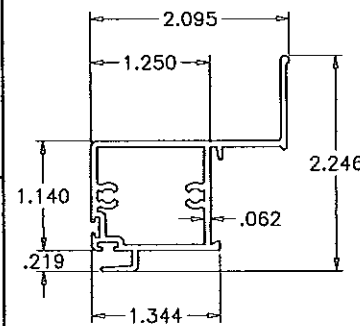
③ SILL TRACK



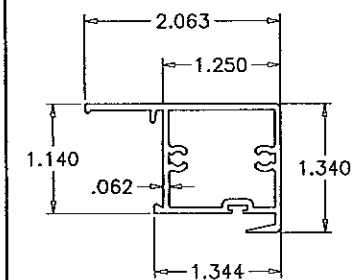
④ MOV. FRAME JAMB



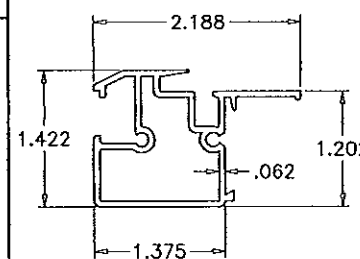
⑨ VENT TOP/BOTTOM RAIL



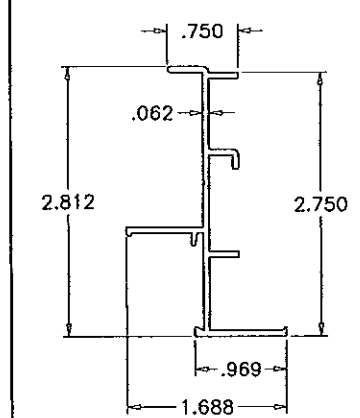
⑧ JAMB STILE



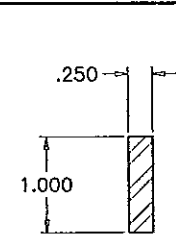
⑦ MEETING RAIL



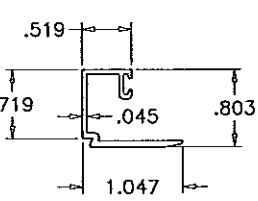
⑥ FIXED MTG. RAIL



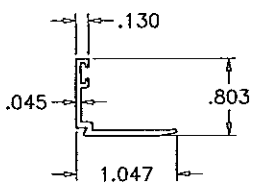
⑤ FIXED FRAME JAMB



⑪ STEEL REINFORCING

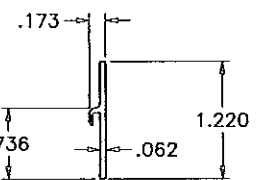


⑩

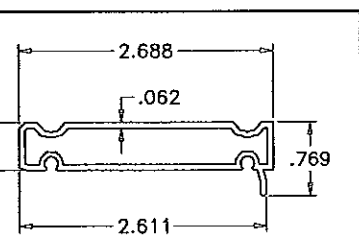


⑩A

GLAZING BEADS



⑬ ADD-ON SILL RISER



⑳ FLUSH FRAME ADAPTER

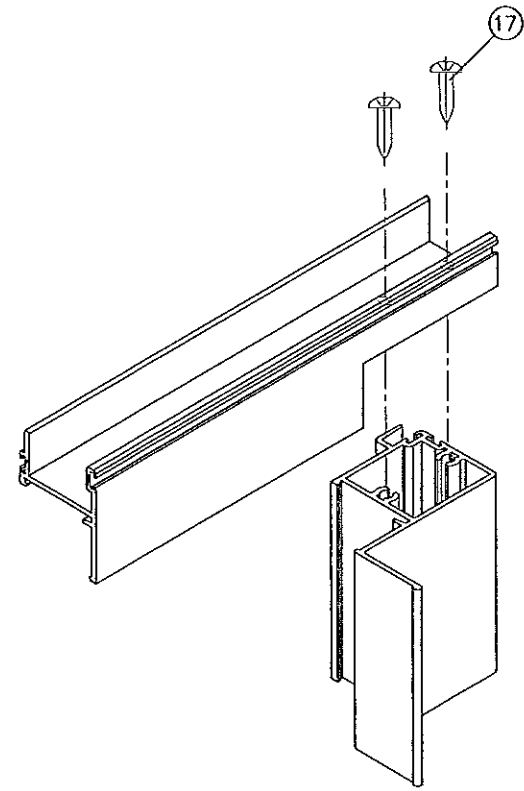
ITEM	PART #	QUANTITY	DESCRIPTION	MATERIAL	MANF./SUPPLIER/REMARKS
1	FY201	1	FRAME HEAD	6063-T6	-
2	FY202	1	FRAME SILL	6063-T6	-
3	FY203	1	SILL TRACK INSERT	6063-T6	-
4	FY205	AS REQD.	MOV. FRAME JAMB	6063-T6	-
5	FY101	AS REQD.	FIXED FRAME JAMB	6063-T6	-
6	FY104	1/ VENT	FIXED MTG. RAIL	6063-T6	-
7	FY105	1/ VENT	VENT INTERLOCK	6063-T6	-
8	FY206	1/ VENT	JAMB STILE	6063-T6	-
9	FY107	2/ VENT	TOP AND BOTTOM RAIL	6063-T6	-
10	FY108	AS REQD.	GLAZING BEAD (LAM. GLASS)	6063-T6	-
10A	FY110	AS REQD.	GLAZING BEAD (INSUL. LAM. GLASS)	6063-T6	-
11	-	AS REQD.	REINFORCING BAR	STEEL	-
13	FY204	1	ADD-ON SILL RISER	6063-T6	-
14	FY208	4/ VENT	ROLLER HOUSING & GUIDE	CELCON	-
15	FY209	2/ VENT	ROLLER	BRASS	-
16	FY210	2/ VENT	ROLLER PIN	ST. STEEL	-
17	#8 X 1"	AS REQD.	FRAME/VENT ASSEMBLY SCREWS	CRS	P.H. SMS
18	#8 X 3"	2/ VENT	FIX. RAIL SILL SCREWS (SILL END)	CRS	P.H. SMS
19	W23181	AS REQD.	FIN SEAL W'STRIPPING	-	ULTRAFAB
20	Q300T190	AS REQD.	BULB SEAL	Q-LON	SCHLEGEL
21	E207	AS REQD.	BULB SEAL	SANTOPRENE	ULTRAFAB, DUROMETER 65±5
22	E203	AS REQD.	GLAZING BEAD BULB	SANTOPRENE	ULTRAFAB, DUROMETER 65±5
23	FLB-50	AS REQD.	GLASS SPACER	SILICONE	FRANK LOWE
24	SL203P	2/ VENT	SWEEP LATCH, AT 10" FROM TOP & BOTTOM	-	SULLIVAN & ASSOC.
25	#8 X 1/8"	2/ LATCH	LATCH INST. SCREW	ST. STEEL	OH SMS
26	WA2L	2/ WDW.	WEEP VALVE	-	PREFERRED ENG. PRODUCTS
27	-	1/ VENT	5/16" BOX SCREEN	-	OPTIONAL
28	FY120	-	FLUSH FRAME ADAPTER	6063-T6	OPTIONAL
29	-	2/ LITE	SETTING BLOCK	EPDM	DUROMETER 75±5 SHORE A
30	-	1/ WEEP	OPEN CELL FOAM PAD	-	3/4" X 15/16" X 2-5/16" LONG

afC
AL-FAROOQ CORPORATION
 ENGINEERS & PRODUCT DEVELOPMENT
 1235 S.W. 87 AVE
 MIAMI, FLORIDA 33174
 TEL. (305) 264-8100 FAX. (305) 262-6978
 COMP-ANL\W14-15ECO

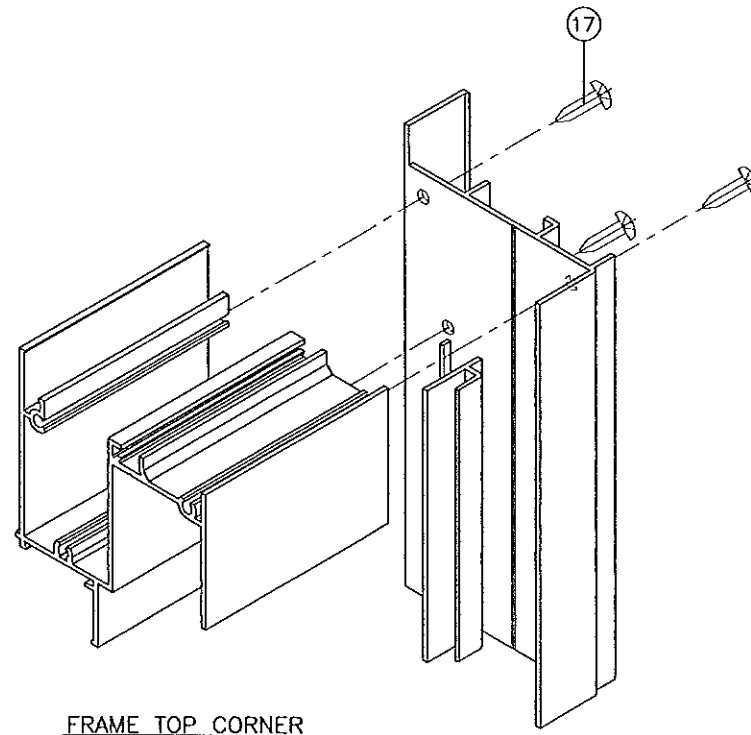
ECO-GUARD SERIES-200 ALUM HORIZ. ROLLING WDW. (S.M.I.)
ECO WINDOW SYSTEMS, LLC.
 9114 N.W. 106 STREET
 MEDLEY, FL. 33178
 TEL. (305) 885-5299 FAX (305) 885-5902

revisions:	no	date	by	description
	A	05.28.14		NO CHANGE THIS SHEET
date:	04-02-14			
scale:	1/2" = 1"			
dr. by:	HAMID			
chk. by:				
drawing no.	W14-15			
sheet	5 of 6			

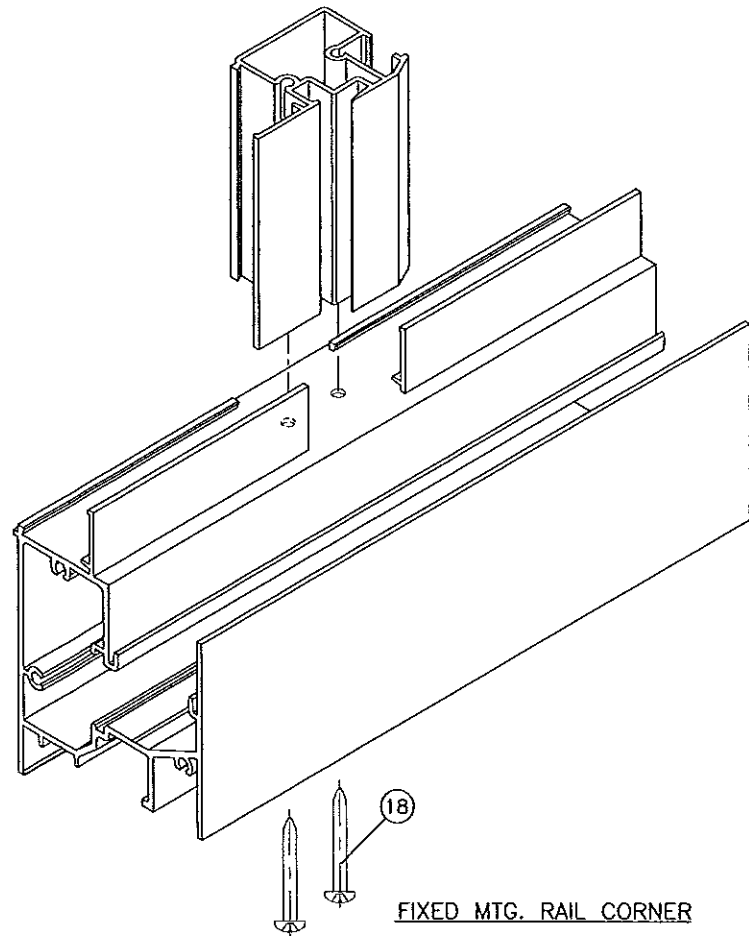
Engr: JAVAD AHMAD
 CIVIL
 FLA. PE # 70592
 C.A.N. 3538
 MAY 28 2014
 Approved as complying with the
 Florida Building Code
 Date: June 19, 2014
 NOA# 14-045-05
 Miami Dade Product Control
 By: Manuel Perez



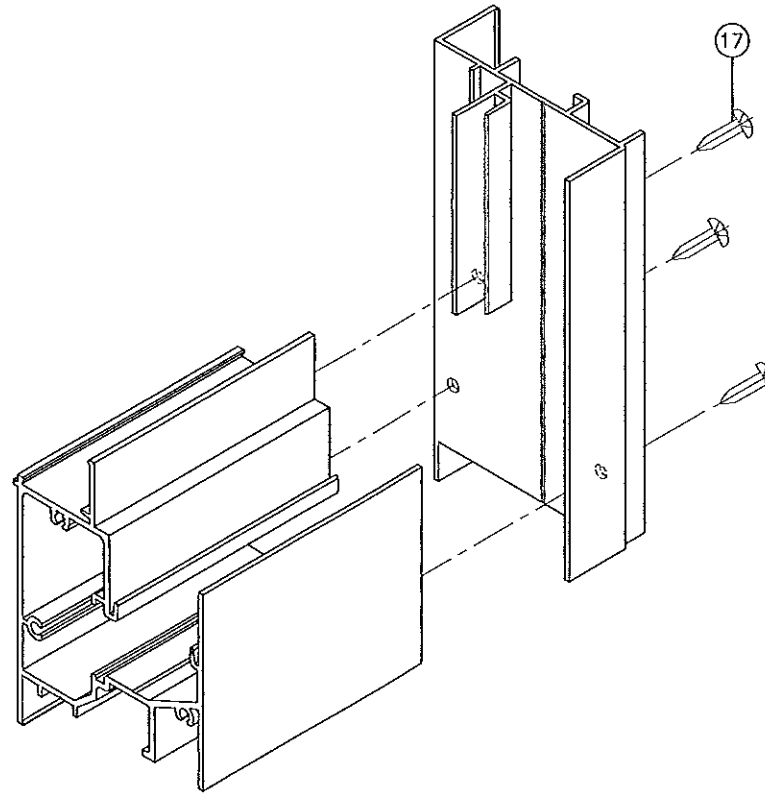
VENT TOP/BOTTOM CORNERS



FRAME TOP CORNER



FIXED MTG. RAIL CORNER



FRAME BOTTOM CORNER

Engr: JAWID AHMAD
 CIVIL
 FLA. PE # 70592
 C.A.N. 3538
 MAY 28 2014

Approved as complying with the
 Florida Building Code
 Date: June 19, 2014
 NOA# 14-12415-05
 Miami Dade Product Control
 By: Manuel Perez

afc
AL-FAROOQ CORPORATION
 ENGINEERS & PRODUCT DEVELOPMENT
 1235 S.W. 87 AVE
 MIAMI, FLORIDA 33174
 TEL. (305) 264-8100 FAX. (305) 262-6978
 COMP-ANL\W14-15ECO

ECO-GUARD SERIES-200 ALUM HORIZ. ROLLING WDW. (S.M.I.)
ECO WINDOW SYSTEMS, LLC.
 9114 N.W. 106 STREET
 MEDLEY, FL. 33178
 TEL. (305) 885-5299 FAX (305) 885-5902

no	date	by	description
A	05.28.14		NO CHANGE THIS SHEET

date: 04-02-14
 scale: 1/2" = 1"
 dr. by: HAMID
 chk. by:

drawing no.
W14-15
 sheet 6 of 6