



DEPARTMENT OF REGULATORY AND ECONOMIC RESOURCES (RER)  
BOARD AND CODE ADMINISTRATION DIVISION

MIAMI-DADE COUNTY  
PRODUCT CONTROL SECTION  
11805 SW 26 Street, Room 208  
T (786) 315-2590 F (786) 315-2599

**NOTICE OF ACCEPTANCE (NOA)**

[www.miamidade.gov/economy](http://www.miamidade.gov/economy)

**AWP Windows and Doors, LLC**  
8130 NW 74<sup>th</sup> Avenue  
Medley, FL 33166

**SCOPE:**

This NOA is being issued under the applicable rules and regulations governing the use of construction materials. The documentation submitted has been reviewed and accepted by Miami-Dade County RER - Product Control Section to be used in Miami Dade County and other areas where allowed by the Authority Having Jurisdiction (AHJ).

This NOA shall not be valid after the expiration date stated below. The Miami-Dade County Product Control Section (In Miami Dade County) and/or the AHJ (in areas other than Miami Dade County) reserve the right to have this product or material tested for quality assurance purposes. If this product or material fails to perform in the accepted manner, the manufacturer will incur the expense of such testing and the AHJ may immediately revoke, modify, or suspend the use of such product or material within their jurisdiction. RER reserves the right to revoke this acceptance, if it is determined by Miami-Dade County Product Control Section that this product or material fails to meet the requirements of the applicable building code.

This product is approved as described herein, and has been designed to comply with the Florida Building Code, including the High Velocity Hurricane Zone.

**DESCRIPTION: Series "6800" Aluminum Horizontal Sliding Window – N.I.**

**APPROVAL DOCUMENT:** Drawing No. W96-25, titled "Series 6800 Alum Horizontal Sliding Wdw. (N.I.)" Sheets 1 through 6 of 6, dated 08/01/96, with revision I dated 11/03/14, prepared by Al-Farooq Corporation, signed and sealed by Javad Ahmad, P.E., bearing the Miami-Dade County Product Control Revision stamp with the Notice of Acceptance number and expiration date by the Miami-Dade County Product Control Section.

**MISSILE IMPACT RATING: None.**

**LABELING:** Each unit shall bear a permanent label with the manufacturer's name or logo, city, state, model/series, and following statement: "Miami-Dade County Product Control Approved", unless otherwise noted herein.

**RENEWAL** of this NOA shall be considered after a renewal application has been filed and there has been no change in the applicable building code negatively affecting the performance of this product.

**TERMINATION** of this NOA will occur after the expiration date or if there has been a revision or change in the materials, use, and/or manufacture of the product or process. Misuse of this NOA as an endorsement of any product, for sales, advertising or any other purposes shall automatically terminate this NOA. Failure to comply with any section of this NOA shall be cause for termination and removal of NOA.

**ADVERTISEMENT:** The NOA number preceded by the words Miami-Dade County, Florida, and followed by the expiration date may be displayed in advertising literature. If any portion of the NOA is displayed, then it shall be done in its entirety.

**INSPECTION:** A copy of this entire NOA shall be provided to the user by the manufacturer or its distributors and shall be available for inspection at the job site at the request of the Building Official.

This NOA revises NOA# 12-1017.03 and consists of this page 1 and evidence pages E-1 and E-2, as well as approval document mentioned above.

The submitted documentation was reviewed by Manuel Perez, P.E.



*MP*  
11/21/14

NOA No. 14-0722.08  
Expiration Date: January 23, 2018  
Approval Date: November 27, 2014  
Page 1

NOTICE OF ACCEPTANCE: EVIDENCE SUBMITTED

**A. DRAWINGS**

1. Manufacturer's die drawings and sections.
2. Drawing No. **W96-25**, titled "Series 6800 Alum Horizontal Sliding Wdw. (N.I.)" Sheets 1 through 5 of 5, dated 08/01/96, with revision I dated 11/03/14, prepared by Al-Farooq Corporation, signed and sealed by Javad Ahmad, P.E.

**B. TESTS**

1. Test reports on: 1) Air Infiltration Test, per FBC, TAS 202-94  
2) Uniform Static Air Pressure Test, Loading per FBC TAS202-94  
3) Water Resistance Test, per FBC, TAS 202-94  
4) Forced Entry Test, per ASTM 588, TAS 202-94  
along with marked-up drawings and installation diagram of a series 6800 aluminum horizontal sliding window glazed with ½" tempered insulated glass, prepared by Fenestration Testing Laboratory, Inc., Test Report No. **FTL-7603**, dated 03/04/14, signed and sealed by Marlin D. Brinson, P.E.
2. Test reports on: 1) Air Infiltration Test as per TAS 202-94  
2) Uniform Static Air Pressure Test as per TAS 202-94  
3) Water Infiltration Test as per TAS 202-94  
4) Forced Entry Test, per AAMA 1302.5, FBC TAS 202  
along with installation diagram and marked-up drawings of a specimen 72" x 63" (XO) aluminum horizontal sliding window w/ 3/16" temp glass, prepared by Hurricane Engineering & Testing Inc., No. **HETI-06-4008**, dated 12/08/06, signed and sealed by Rafael E. Droz-Seda, P.E.  
*(Submitted under NOA#09-0316.08)*
3. Test reports on: 1) Air Infiltration Test as per TAS 202-94  
2) Uniform Static Air Pressure Test as per TAS 202-94  
3) Water Resistance Test as per TAS 202-94  
4) Forced Entry Test as per AAMA 1302.5, FBC TAS 202  
along with installation diagram and marked-up drawings of a specimen 96" x 60" (XOX) aluminum horizontal sliding window w/ 3/16" temp glass, prepared by Hurricane Engineering & Testing Inc., No. **HETI-06-4009**, dated 12/08/06, signed and sealed by Rafael E. Droz-Seda, P.E.  
*(Submitted under NOA#09-0316.08)*

  
Manuel Perez, P.E.  
Product Control Examiner

NOA No. 14-0722.08

Expiration Date: January 23, 2018

Approval Date: November 27, 2014

NOTICE OF ACCEPTANCE: EVIDENCE SUBMITTED

**C. CALCULATIONS**

1. Anchor verification calculations and structural analysis, complying with **FBC 5<sup>th</sup> Edition (2014)**, dated 06/04/14, prepared by Al-Farooq Corporation, signed and sealed by Javad Ahmad, P.E.
2. Glazing complies with **ASTM E1300-09**.

**D. QUALITY ASSURANCE**

1. Miami-Dade Department of Regulatory and Economic Resources (RER)

**E. MATERIAL CERTIFICATIONS**

1. None.

**F. STATEMENTS**

1. Statement letter of conformance, complying with the **FBC 5<sup>th</sup> Edition (2014)**, and of no financial interest, dated June 9, 2014, signed and sealed by Javad Ahmad, P.E.
2. Proposal No. **13-0639** issued by the Product Control Section, dated July 16, 2013, signed by Manuel Perez, P.E.
3. Asset purchase agreement dated March 20, 2014, signed by Mr. Paul Schmitz, Chief Executive Officer and President, Trulite Intermediate Holding, LLC and Mr. Tim Morris, Jr., President and C.F.O., AWP Windows and Doors, LLC.
4. Letter from owners of existing NOA stating that they have sold all assets to the applicant, that they no longer manufacture the product and relinquish their rights to the current NOA, dated June 24, 2014, signed by Mr. Kevin Barrett, Chief Financial Officer, Trulite Window & Door Solutions, LLC.

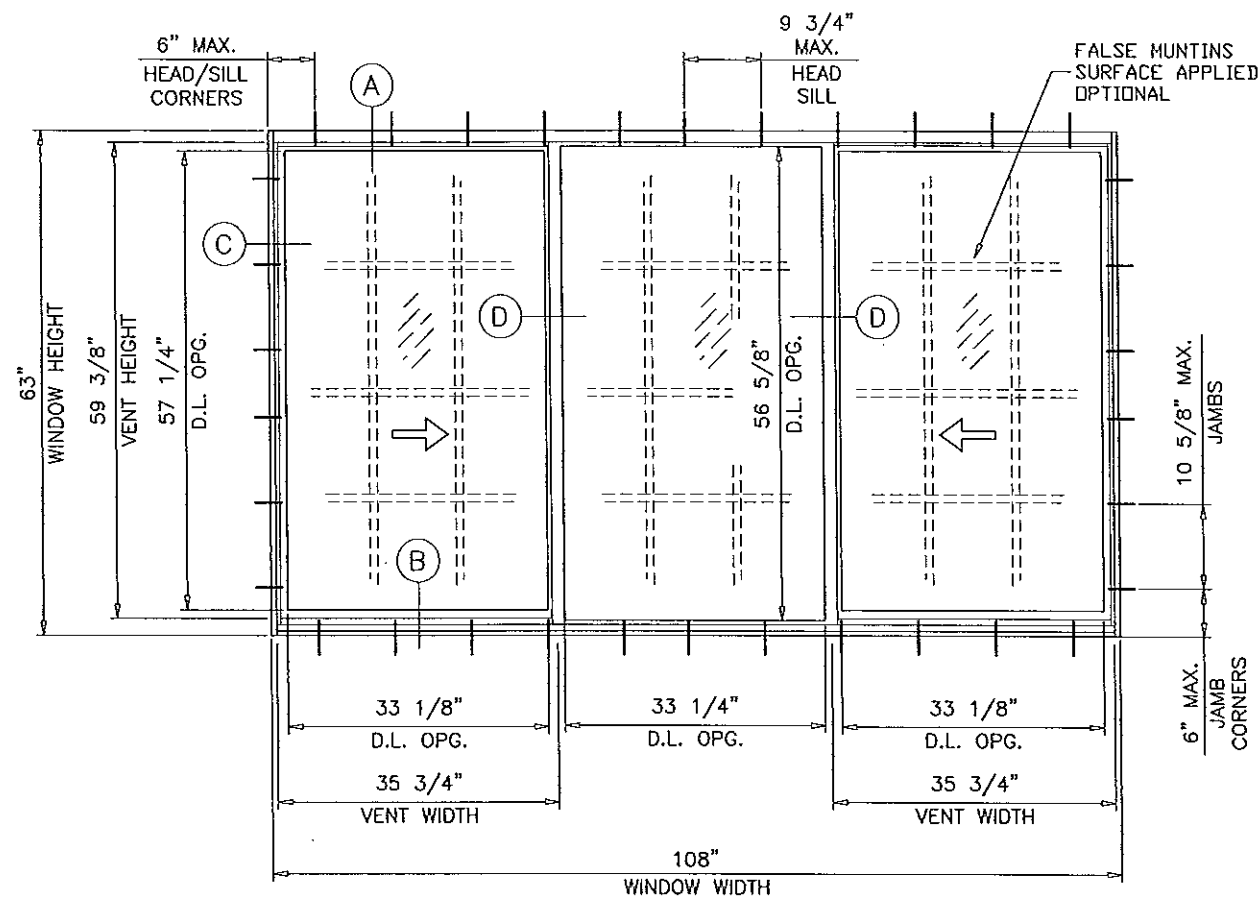
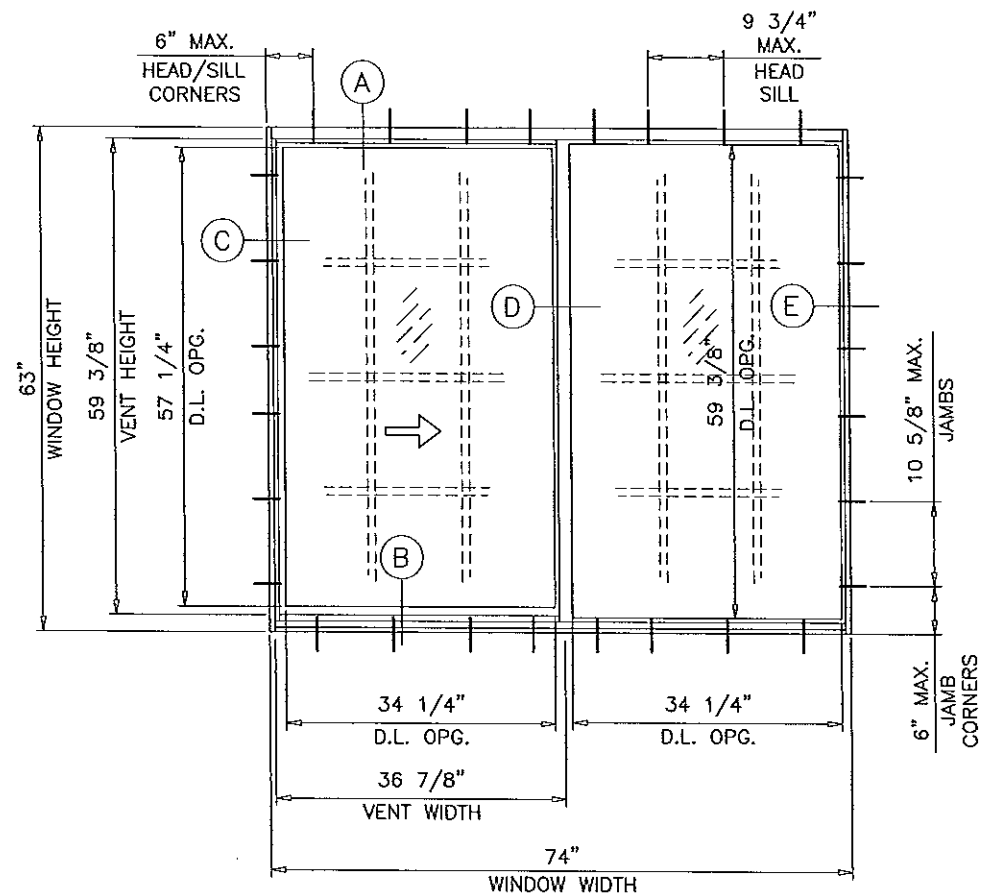
**G. OTHERS**

1. Notice of Acceptance No. **12-1017.03**, issued to Trulite Window & Door Solutions, LLC, for their Series "6800" Aluminum Horizontal Sliding Window – N.I., approved on 12/06/12 and expiring on 01/23/18.



Manuel Perez, P.E.  
Product Control Examiner  
NOA No. 14-0722.08

Expiration Date: January 23, 2018  
Approval Date: November 27, 2014



TYPICAL ELEVATION  
TESTED UNITS

**SERIES 6800**  
**ALUMINUM HORIZONTAL SLIDING WINDOW**

DESIGN LOAD RATINGS FOR THESE WINDOWS TO BE AS PER CHARTS SHOWN ON SHEETS 2 & 3.

APPROVAL APPLIES TO SINGLE HORIZONTAL SLIDING WINDOWS, ALSO COMBINATIONS OF H.S./H.S. OR HORIZONTAL SLIDING WITH OTHER WINDOW TYPES IN MODULES OF TWO OR MORE WINDOWS USING MIAMI-DADE COUNTY APPROVED MULLIONS IN BETWEEN. LOWER DESIGN PRESSURE FROM WINDOWS OR MULLION APPROVAL WILL APPLY TO ENTIRE SYSTEM.

THIS PRODUCT HAS BEEN DESIGNED AND TESTED TO COMPLY WITH THE REQUIREMENTS OF THE FLORIDA BUILDING CODE INCLUDING HIGH VELOCITY HURRICANE ZONE (HVHZ).

WOOD BUCKS BY OTHERS, MUST BE ANCHORED PROPERLY TO TRANSFER LOADS TO THE STRUCTURE.

ANCHORS SHALL BE AS LISTED, SPACED AS SHOWN ON DETAILS, ANCHORS EMBEDMENT TO BASE MATERIAL SHALL BE BEYOND WALL DRESSING OR STUCCO.

ANCHORING OR LOADING CONDITIONS NOT SHOWN IN THESE DETAILS ARE NOT PART OF THIS APPROVAL.

A LOAD DURATION INCREASE IS USED IN DESIGN OF ANCHORS INTO WOOD ONLY.

ALL SHIMS TO BE HIGH IMPACT, NON-METALLIC AND NON-COMPRESSIBLE.

MATERIALS INCLUDING BUT NOT LIMITED TO STEEL/METAL SCREWS, THAT COME INTO CONTACT WITH OTHER DISSIMILAR MATERIALS SHALL MEET THE REQUIREMENTS OF THE FLORIDA BLDG. CODE.

WINDOWS NOT RATED FOR IMPACT.  
INSTALLATION OF THIS PRODUCT IN THE HVHZ AREA REQUIRES THE USE OF APPROVED SHUTTERS OR EXTERNAL PROTECTION DEVICES COMPLYING WITH HVHZ REQUIREMENTS.  
INSTALLATION OF THIS SYSTEM OUTSIDE THE HVHZ AREA SHALL MEET THE APPLICABLE REQUIREMENTS FOR WIND BORNE DEBRIS PROTECTION.

**MONOLITHIC GLASS**  
**INSULATED GLASS**  
**NON IMPACT**

Engr: JAVAD AHMAD  
CIVIL  
FLA. PE # 70592  
C.A.N. 3538  
  
NOV 05 2014

PRODUCT REVISED  
as complying with the Florida  
Building Code  
Acceptance No. 14-0722-08  
Expiration Date 12.23.2018  
By: *Manuel Perez*  
Miami Dade Product Control

**af c**  
**AL-FAROOQ CORPORATION**  
ENGINEERS & PRODUCT DEVELOPMENT  
1235 S.W. 87 AVE  
MIAMI, FLORIDA 33174  
TEL. (305) 264-8100 FAX. (305) 262-6978  
COMP-ANL\W96-25AWP

SERIES 6800 ALUM HORIZONTAL SLIDING WDW. (N.I.)  
**AWP WINDOWS & DOORS, LLC**  
8130 N.W. 74TH AVE.  
MEDLEY, FL. 33166  
TEL. (305) 887-2646 FAX (305) 883-1309

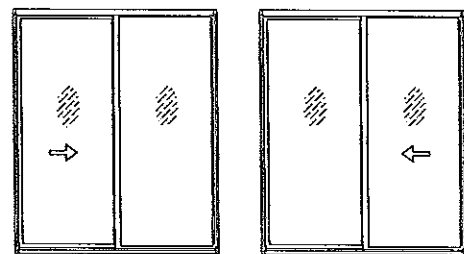
NO.	DATE	DESCRIPTION
E	02.20.09	UPDATED FOR 2007 FBC
F	05.06.10	MANUF. NAME REVISED
G	12.23.11	UPDATED TO 2010 FBC, NAME REV
H	05.22.14	GENERAL REVISION
I	11.03.14	NO CHANGE THIS SHEET

date: 08-01-96  
scale: 1/2" = 1"  
dr. by: HAMID  
chk. by:

drawing no. **W96-25**  
sheet 1 of 6

DESIGN LOAD CAPACITY - PSF (XO OR OX SIZES)									
WINDOW DIMS.		A	GLASS TYPE 'A'		GLASS TYPE 'B'		GLASS TYPE 'C'		
WIDTH	HEIGHT		EXT.(+)	INT.(-)	EXT.(+)	INT.(-)	EXT.(+)	INT.(-)	
24"	24"	3	60.0	125.0	60.0	210.0	60.0	210.0	
36"		3	60.0	125.0	60.0	210.0	60.0	210.0	
48"		5	60.0	104.1	60.0	196.9	60.0	210.0	
60"		6	60.0	84.7	60.0	156.9	60.0	210.0	
72"		8	60.0	66.9	60.0	127.4	60.0	210.0	
24"	36"	3	60.0	125.0	60.0	210.0	60.0	210.0	
36"		3	60.0	79.7	60.0	163.5	60.0	179.6	
48"		5	60.0	68.6	60.0	126.2	60.0	151.6	
60"		6	-	-	60.0	102.8	60.0	138.6	
72"		8	-	-	60.0	85.6	60.0	134.7	
24"	48"	3	60.0	66.2	60.0	157.7	60.0	173.2	
36"		3	45.5	45.5	60.0	113.2	60.0	124.4	
48"		5	-	-	60.0	88.8	60.0	101.0	
60"		6	-	-	60.0	73.5	60.0	88.2	
72"		8	-	-	60.0	66.3	60.0	80.8	
24"	60"	3	33.6	33.6	60.0	122.6	60.0	134.7	
36"		3	-	-	60.0	86.6	60.0	95.1	
48"		5	-	-	60.0	69.0	60.0	75.8	
60"		6	-	-	54.5	54.5	60.0	64.7	
72"		8	-	-	-	-	53.6	53.6	
24"	63"	3	-	-	-	-	50.0	50.0	
26-1/2"		26"	3	60.0	125.0	60.0	210.0	60.0	210.0
37"			4	60.0	122.1	60.0	210.0	60.0	210.0
53-1/8"			6	60.0	88.4	60.0	161.7	60.0	210.0
74"			8	60.0	62.7	60.0	113.7	60.0	210.0
26-1/2"	38-3/8"	3	60.0	110.4	60.0	188.9	60.0	207.5	
37"		4	60.0	71.8	60.0	147.5	60.0	162.0	
53-1/8"		6	-	-	60.0	106.6	60.0	131.0	
74"		8	-	-	60.0	78.3	60.0	118.7	
26-1/2"	50-5/8"	3	51.2	51.2	60.0	136.3	60.0	149.7	
37"		4	37.7	37.7	60.0	103.8	60.0	114.0	
53-1/8"		6	-	-	60.0	74.8	60.0	88.0	
74"		8	-	-	60.0	61.4	60.0	73.4	
26-1/2"	63"	3	26.3	26.3	60.0	106.4	60.0	116.9	
37"		4	-	-	60.0	79.9	60.0	85.2	
53-1/8"		6	-	-	57.9	57.9	59.6	61.6	

A = NO. OF ANCHORS PER HEAD & SILL



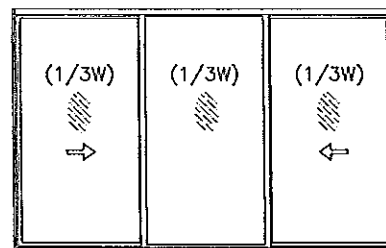
XO

OX

NOTE:  
GLASS CAPACITIES ON THIS SHEET ARE  
BASED ON ASTM E1300-09 (3 SEC. GUSTS)  
AND FLORIDA BUILDING COMMISSION  
DECLARATORY STATEMENT DCA05-DEC-219

DESIGN LOAD CAPACITY - PSF (XOX SIZES)						
WINDOW DIMS.		A	GLASS TYPE 'B'		GLASS TYPE 'C'	
WIDTH	HEIGHT		EXT.(+)	INT.(-)	EXT.(+)	INT.(-)
72"	24"	8	60.0	197.9	60.0	210.0
84"		9	60.0	169.7	60.0	210.0
96"		10	60.0	146.7	60.0	206.9
108"		11	60.0	127.9	60.0	203.6
72"		36"	8	60.0	126.8	60.0
84"	9		60.0	110.1	60.0	141.7
96"	10		60.0	96.8	60.0	136.4
108"	11		60.0	85.9	60.0	134.7
72"	48"	8	60.0	89.3	60.0	101.0
84"		9	60.0	77.1	60.0	91.7
96"		10	60.0	71.0	60.0	85.3
108"	11	60.0	66.4	60.0	80.8	
72"	60"	8	60.0	69.0	60.0	75.8
84"		9	58.2	58.2	60.0	67.8
96"		10	52.4	52.4	60.0	62.0
74"	26"	8	60.0	174.7	60.0	210.0
106-1/4"		11	60.0	120.3	60.0	193.5
111"		12	60.0	114.2	60.0	204.6
74"	38-3/8"	8	60.0	114.2	60.0	135.9
106-1/4"		11	60.0	82.7	60.0	119.3
111"	12	60.0	78.7	60.0	118.7	
74"	50-5/8"	8	60.0	81.4	60.0	92.4
106-1/4"		11	60.0	63.0	60.0	74.9
111"	12	60.0	61.6	60.0	73.4	
74"	63"	8	60.0	61.7	60.0	65.7

A = NO. OF ANCHORS PER HEAD & SILL

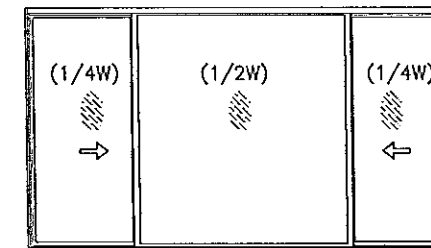


OPERATING VENTS TO BE 1/3 OF THE WINDOW WIDTH

XOX

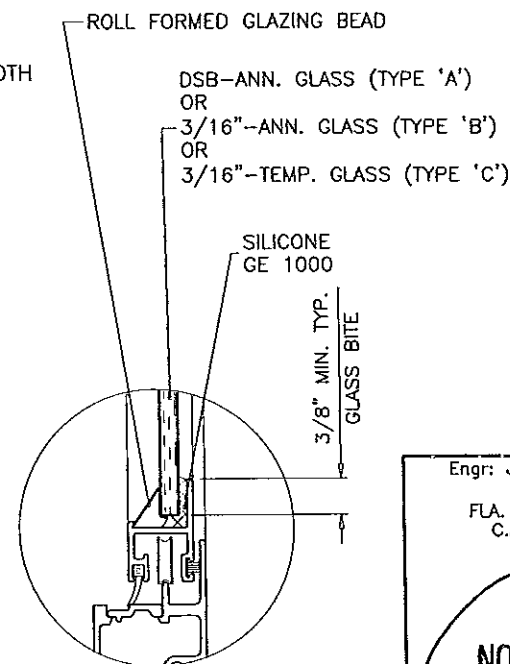
DESIGN LOAD CAPACITY - PSF (XOX SIZES)						
WINDOW DIMS.		A	GLASS TYPE 'B'		GLASS TYPE 'C'	
WIDTH	HEIGHT		EXT.(+)	INT.(-)	EXT.(+)	INT.(-)
72"	24"	8	60.0	134.3	60.0	210.0
84"		9	60.0	111.0	60.0	210.0
96"		10	60.0	95.2	60.0	206.9
108"		11	60.0	85.2	60.0	203.6
72"		36"	8	60.0	88.8	60.0
84"	9		60.0	78.3	60.0	146.6
96"	10		60.0	68.4	60.0	142.0
108"	11		59.0	59.0	-	-
72"	48"	8	60.0	68.1	60.0	98.0
74"	26"	8	60.0	119.7	60.0	210.0
106-1/4"		11	60.0	76.5	60.0	193.5
111"	12	60.0	73.1	60.0	204.6	
74"	38-3/8"	8	60.0	82.3	60.0	137.0
74"	50-5/8"	8	60.0	62.8	60.0	89.3

A = NO. OF ANCHORS PER HEAD & SILL



OPERATING VENTS TO BE 1/4 OF THE WINDOW WIDTH

XOX



GLAZING OPTIONS

Engr: JAVAD AHMAD  
CML  
FLA. PE # 70592  
C.A.N. 8538  
NOV 05 2014

PRODUCT REVISED  
as complying with the Florida  
Building Code  
Acceptance No. 14-0722-08  
Expiration Date 12.23.2018  
By *Manuel Saez*  
Miami Dade Product Control

**AL-FAROOQ CORPORATION**  
ENGINEERS & PRODUCT DEVELOPMENT  
1235 S.W. 87 AVE  
MIAMI, FLORIDA 33174  
TEL. (305) 264-8100 FAX. (305) 262-6978  
COMP-ANL\W96-25AWP

SERIES 6800 ALUM HORIZONTAL SLIDING WDW. (N.I.)  
**AWP WINDOWS & DOORS, LLC**  
8130 N.W. 74TH AVE.  
MEDLEY, FL. 33166  
TEL. (305) 887-2846 FAX (305) 883-1309

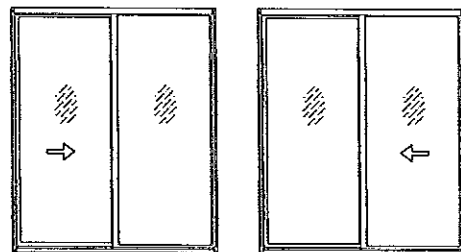
no	date	description	by
E	02.20.09	UPDATED FOR 2007 FBC	
F	05.06.10	MANUF. NAME REVISED	
G	12.23.11	MANUF. NAME REVISED	
H	05.22.14	GENERAL REVISION	
I	11.03.14	ANCHORS QUANTITY REV.	

date: 08-01-96  
scale: 1/2" = 1"  
dr. by: HAMID  
chk. by:

drawing no.  
**W96-25**  
sheet 2 of 6

DESIGN LOAD CAPACITY - PSF (XO OR OX SIZES)						
WINDOW DIMS.		A	GLASS TYPE 'E'		GLASS TYPE 'D'	
WIDTH	HEIGHT		EXT.(+)	INT.(-)	EXT.(+)	INT.(-)
24"	24"	3	50.0	210.0	50.0	210.0
36"		3	50.0	210.0	50.0	210.0
48"		5	50.0	187.8	50.0	210.0
60"		6	50.0	152.8	50.0	210.0
72"		8	50.0	120.5	50.0	210.0
24"		36"	3	50.0	210.0	50.0
36"	3		50.0	144.0	50.0	191.7
48"	5		50.0	124.0	50.0	161.7
60"	6		50.0	109.2	50.0	147.9
72"	8		50.0	92.9	50.0	143.8
24"	48"		3	50.0	163.3	50.0
36"		3	50.0	110.8	50.0	132.7
48"		5	50.0	81.6	50.0	107.8
60"		6	50.0	78.6	50.0	94.1
72"		8	50.0	72.8	50.0	86.3
24"		60"	3	50.0	127.0	50.0
36"	3		50.0	89.7	50.0	101.5
48"	5		50.0	62.7	50.0	80.9
60"	6		50.0	57.1	50.0	69.0
72"	8		50.0	54.4	50.0	61.6
24"	63"		3	50.0	120.4	50.0
36"		3	50.0	84.7	50.0	95.8
48"		5	50.0	59.9	50.0	76.1
60"		6	50.0	53.2	50.0	64.7
72"		8	50.0	50.8	50.0	57.5
26-1/2"		26"	3	50.0	210.0	50.0
37"	4		50.0	210.0	50.0	210.0
53-1/8"	6		50.0	159.7	50.0	210.0
74"	8		50.0	113.1	50.0	210.0
26-1/2"	38-3/8"	3	50.0	195.7	50.0	210.0
37"		4	50.0	129.5	50.0	172.9
53-1/8"		6	50.0	109.4	50.0	139.7
74"		8	50.0	85.7	50.0	126.7
26-1/2"	50-5/8"	3	50.0	141.2	50.0	159.8
37"		4	50.0	102.5	50.0	121.7
53-1/8"		6	50.0	74.0	50.0	93.9
74"		8	50.0	67.7	50.0	78.4
26-1/2"	63"	3	50.0	110.2	50.0	124.7
37"		4	50.0	82.8	50.0	93.7
53-1/8"		6	50.0	55.1	50.0	70.5
74"		8	50.0	50.0	-	-

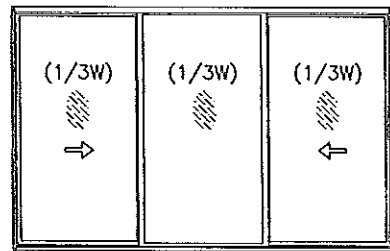
A = NO. OF ANCHORS PER HEAD & SILL



XO OX

DESIGN LOAD CAPACITY - PSF (XOX SIZES)						
WINDOW DIMS.		A	GLASS TYPE 'E'		GLASS TYPE 'D'	
WIDTH	HEIGHT		EXT.(+)	INT.(-)	EXT.(+)	INT.(-)
72"	24"	8	50.0	188.5	50.0	210.0
84"		9	50.0	165.2	50.0	210.0
96"		10	50.0	141.9	50.0	210.0
108"		11	50.0	121.2	50.0	210.0
72"		36"	8	50.0	124.2	50.0
84"	9		50.0	115.0	50.0	151.2
96"	10		50.0	103.7	50.0	145.5
108"	11		50.0	93.1	50.0	143.8
72"	48"		8	50.0	81.6	50.0
84"		9	50.0	79.5	50.0	97.8
96"		10	50.0	77.2	50.0	91.0
108"		11	50.0	73.0	50.0	86.3
72"		60"	8	50.0	62.9	50.0
84"	9		50.0	57.6	50.0	72.3
96"	10		50.0	56.9	50.0	66.2
108"	11		50.0	53.6	50.0	61.6
72"	63"		8	-	-	50.0
84"		9	-	-	50.0	67.9
96"		10	-	-	50.0	61.9
108"		11	-	-	50.0	57.5
74"		26"	8	50.0	169.1	50.0
106-1/4"	11		50.0	120.3	50.0	201.0
111"	12		50.0	113.6	50.0	210.0
74"	38-3/8"	8	50.0	112.4	50.0	145.0
106-1/4"		11	50.0	89.9	50.0	127.3
111"		12	50.0	85.9	50.0	126.7
74"	50-5/8"	8	50.0	75.1	50.0	98.6
106-1/4"		11	50.0	69.5	50.0	79.9
111"		12	50.0	68.0	50.0	78.4
74"	63"	8	50.0	58.5	50.0	74.5
106-1/4"		11	50.0	50.5	50.0	58.1

A = NO. OF ANCHORS PER HEAD & SILL



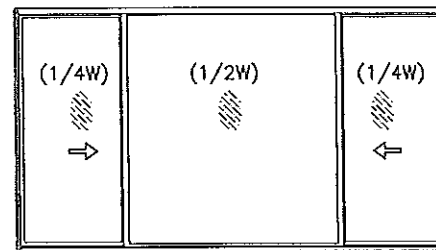
OPERATING VENTS TO BE 1/3 OF THE WINDOW WIDTH

XOX

NOTE:  
GLASS CAPACITIES ON THIS SHEET ARE  
BASED ON ASTM E1300-09 (3 SEC. GUSTS)  
AND FLORIDA BUILDING COMMISSION  
DECLARATORY STATEMENT DCA05-DEC-219

DESIGN LOAD CAPACITY - PSF (XOX SIZES)						
WINDOW DIMS.		A	GLASS TYPE 'E'		GLASS TYPE 'D'	
WIDTH	HEIGHT		EXT.(+)	INT.(-)	EXT.(+)	INT.(-)
72"	24"	8	50.0	128.3	50.0	210.0
84"		9	50.0	102.1	50.0	210.0
96"		10	50.0	84.1	50.0	210.0
108"		11	50.0	73.0	50.0	210.0
72"		36"	8	50.0	95.8	50.0
84"	9		50.0	85.5	50.0	152.3
96"	10		50.0	74.9	50.0	150.4
108"	11		50.0	65.2	50.0	148.4
72"	48"		8	50.0	74.6	50.0
84"		9	50.0	66.8	50.0	97.0
72"		60"	8	50.0	56.7	-
74"	26"	8	50.0	119.6	50.0	210.0
106-1/4"		11	50.0	70.7	50.0	201.0
111"	38-3/8"	12	50.0	66.8	50.0	210.0
74"		8	50.0	89.6	50.0	146.2
106-1/4"	50-5/8"	11	50.0	64.5	50.0	132.8
111"		12	50.0	61.5	50.0	131.5
74"	50-5/8"	8	50.0	69.4	50.0	95.3

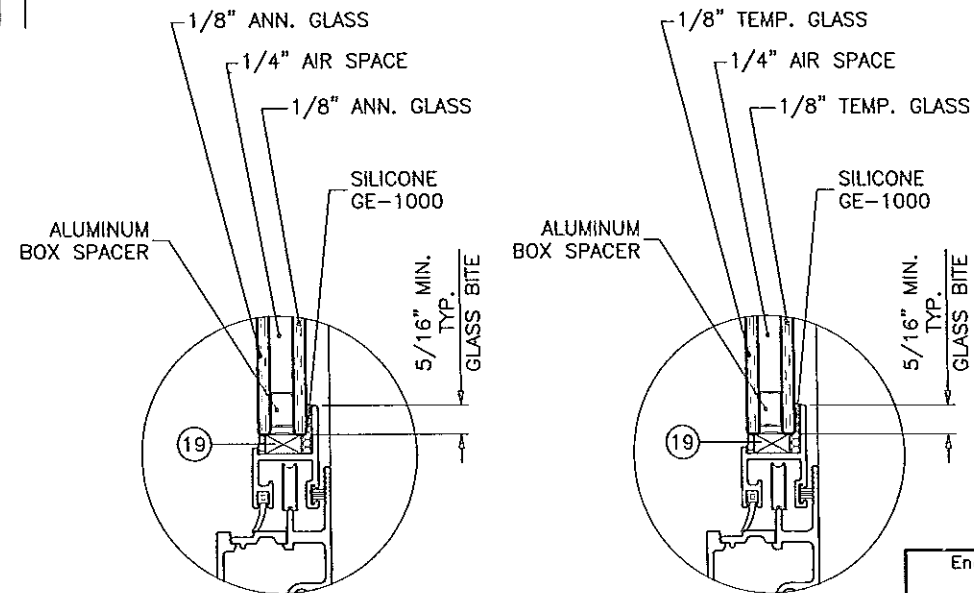
A = NO. OF ANCHORS PER HEAD & SILL



OPERATING VENTS TO BE 1/4 OF THE WINDOW WIDTH

XOX

PRODUCT REVISED  
as complying with the Florida  
Building Code  
Acceptance No. 14-0722-08  
Expiration Date Jan. 23, 2018  
By *Manuel Perez*  
Miami Dade Product Control



GLASS TYPE 'E'  
1/2" OVERALL INSUL. GLASS

GLASS TYPE 'D'  
1/2" OVERALL INSUL. GLASS

GLAZING OPTIONS

Engr: JAVAD AHMAD  
CIVIL  
FLA. PE # 70592  
C.A.N. 3538

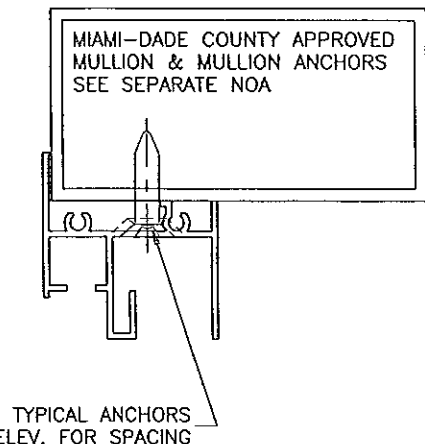
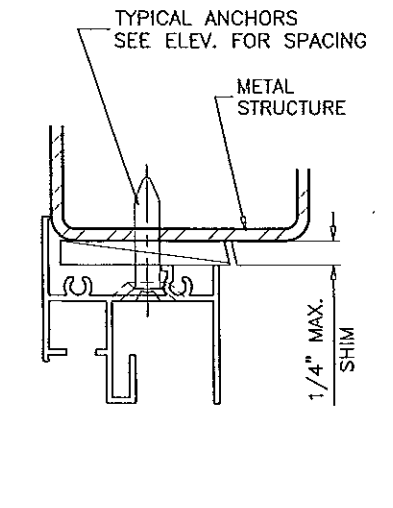
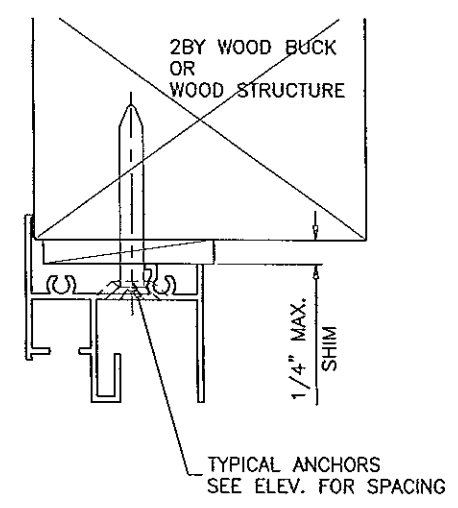
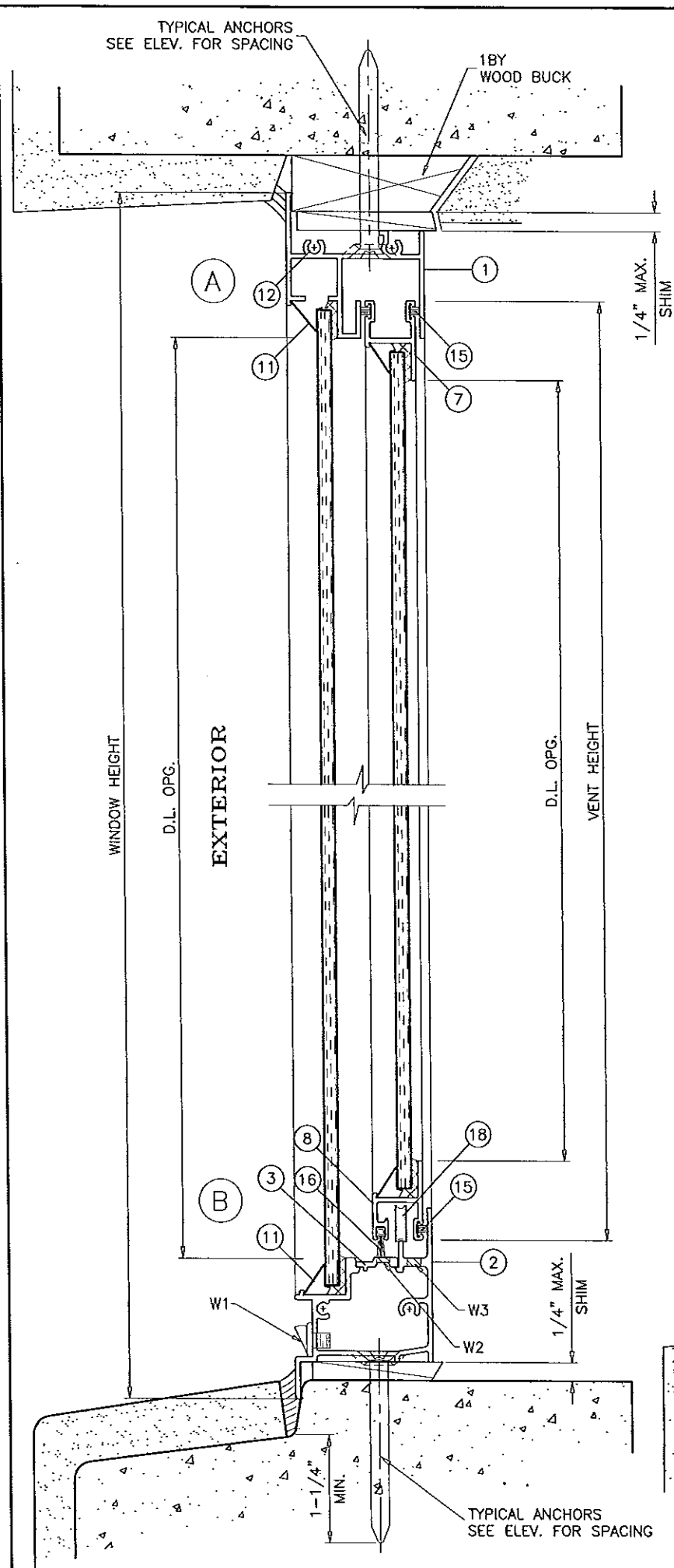
NOV 0 2014

**af c**  
**AL-FAROOQ CORPORATION**  
ENGINEERS & PRODUCT DEVELOPMENT  
1235 S.W. 87 AVE  
MIAMI, FLORIDA 33174  
TEL. (305) 262-6978  
FAX (305) 262-6978

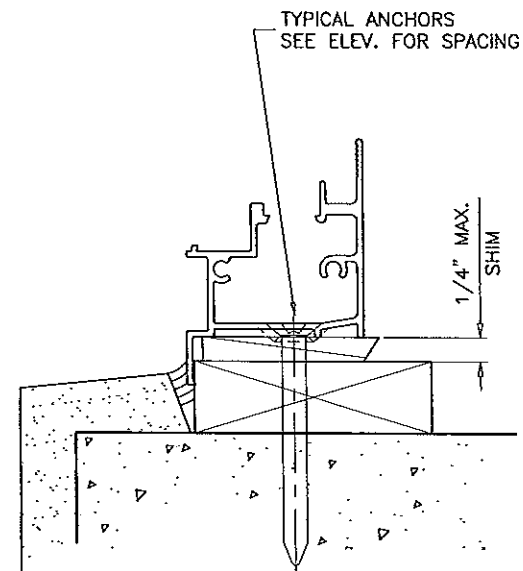
SERIES 6800 ALUM HORIZONTAL SLIDING WDW. (N.I.)  
**AWP WINDOWS & DOORS, LLC**  
8130 N.W. 74TH AVE.  
MEDLEY, FL. 33166  
TEL. (305) 887-2646 FAX (305) 883-1309

no.	date	description	GENERAL REVISION	ANCHORS QUANTITY REV.
			H 05.22.14	
			I 11.03.14	

date: 08-01-96	scale: 1/2" = 1"
dr. by: HAMID	chk. by:



WOOD BUCKS AND METAL STRUCTURE NOT BY AWP MUST SUSTAIN LOADS IMPOSED BY GLAZING SYSTEM AND TRANSFER THEM TO THE BUILDING STRUCTURE.



**TYPICAL ANCHORS:** SEE ELEV. FOR SPACING

**1/4" DIA. TAPCONS BY 'ITW'**

**1/4" DIA. ULTRACON BY 'ELCO'** (Fu=177 KSI, Fy=155 KSI)

INTO 2BY WOOD BUCKS OR WOOD STRUCTURES

1-1/2" MIN. PENETRATION INTO WOOD

THRU 1BY BUCKS INTO CONC. OR MASONRY

1-1/4" MIN. EMBED INTO CONC. OR MASONRY

DIRECTLY INTO CONC. OR MASONRY

1-1/4" MIN. EMBED INTO CONC. OR MASONRY

**#14 SMS OR SELF DRILLING SCREWS** (GRADE 2 CRS)

INTO METAL STRUCTURES

STEEL : 12 GA. MIN. (Fy = 36 KSI MIN.)

ALUMINUM : 1/8" THK. MIN. (6063-T5 MIN.)

(STEEL IN CONTACT WITH ALUMINUM TO BE PLATED OR PAINTED)

**#12 SMS OR SELF DRILLING SCREWS** (GRADE 2 CRS)

INTO MIAMI-DADE COUNTY APPROVED MULLIONS (MIN. THK. = .090")

(NO SHIM SPACE)

**TYPICAL EDGE DISTANCE**

INTO CONCRETE AND MASONRY = 1-1/4" MIN.

INTO WOOD STRUCTURE = 1/2" MIN.

INTO METAL STRUCTURE = 3/4" MIN.

CONCRETE f'c = 3000 PSI MIN.

MASONRY f'm = 2000 PSI MIN.

**SEALANTS:**

FRAME CORNERS AND VENT CORNER SEAMS TO BE SEALED WITH 'SCHNEE MOREHEAD 5504' SEALANT.

**WEEPHOLES:**

W1 = 1-5/8" X 1/4" WEEPHOLES AT 6" FROM EACH END WITH PLASTIC Baffle.

W2 = 1/2" X 3/16" WEEP SLOTS, TWO AT 8" O.C. FROM WINDOW CENTERLINE.

W3 = 1/2" X 3/16" WEEP SLOTS, TWO AT 8" O.C. FROM WINDOW CENTERLINE.

Engr: JAVAD AHMAD  
CIVIL  
FLA. PE # 70592  
C.A.N. 3538  
NOV 05 2014

PRODUCT REVISED  
as complying with the Florida  
Building Code  
Acceptance No 14-0722.08  
Expiration Date Jan 23, 2018  
By *Manuel Perez*  
Miami Dade Product Control

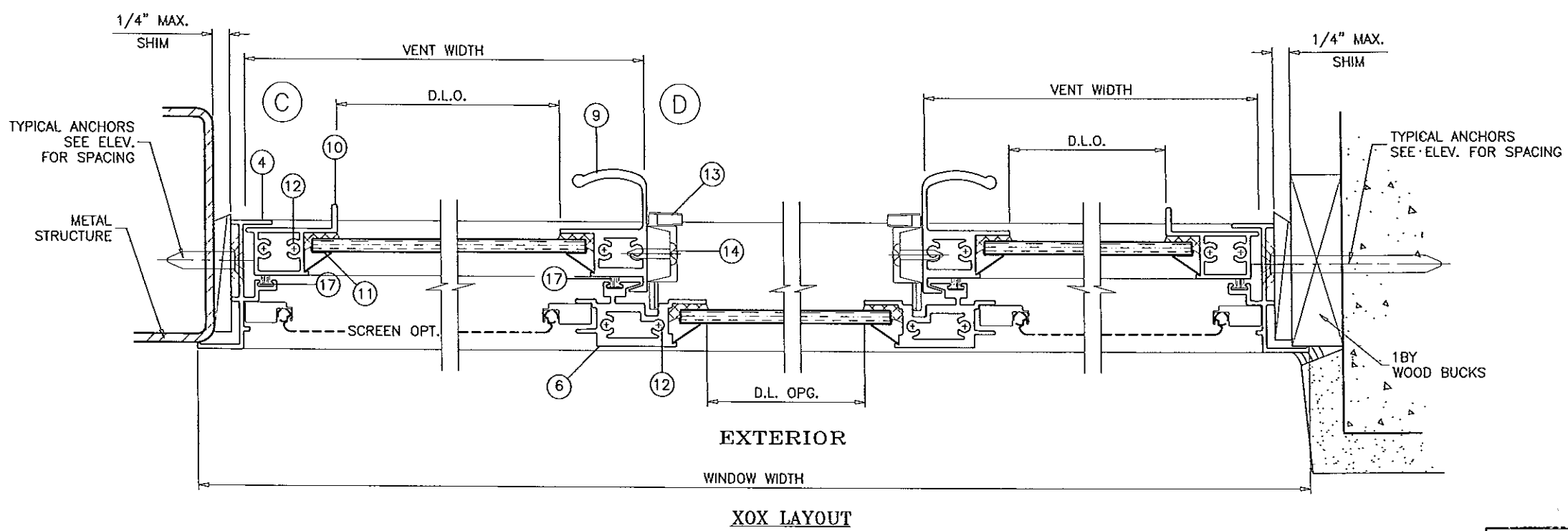
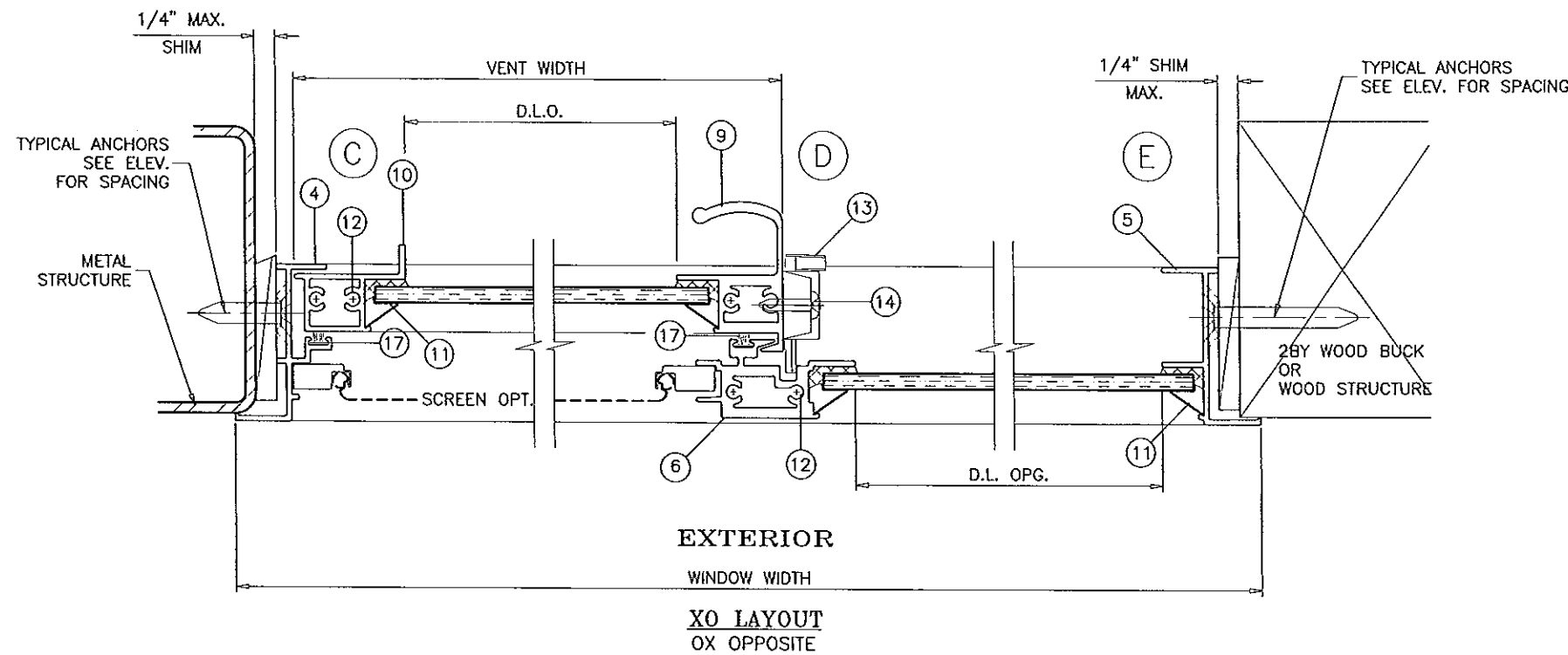
**af c**  
**AL-FAROOQ CORPORATION**  
ENGINEERS & PRODUCT DEVELOPMENT  
1235 S.W. 87 AVE  
MIAMI, FLORIDA 33174  
TEL. (305) 264-8100 FAX. (305) 262-6978  
COMP-ANL \ W96-25AWP

SERIES 6800 ALUM HORIZONTAL SLIDING WDW. (N.I.)  
**AWP WINDOWS & DOORS, LLC**  
8130 N.W. 74TH AVE.  
MEDLEY, FL. 33166  
TEL. (305) 887-2646 FAX (305) 883-1309

no	date	description	by
E	02.20.09	UPDATED FOR 2007 FBC	
F	05.06.10	MANUF. NAME REVISED	
G	12.23.11	MANUF. NAME REVISED	
H	05.22.14	GENERAL REVISION	
I	11.03.14	NO CHANGE THIS SHEET	

date: 08-01-96  
scale: 1/2" = 1"  
dr. by: HAMID  
chk. by:

drawing no.  
**W96-25**  
sheet 4 of 6



Engr: JAVAD AHMAD  
 CIVIL  
 FLA. PE # 70592  
 C.A.N. 3538

NOV 05 2014

PRODUCT REVISED  
 as complying with the Florida  
 Building Code  
 Acceptance No. 14-0722-08  
 Expiration Date Jan 23, 2018

By *Manuel Ferrer*  
 Miami Dade Product Control

**afc**  
**AL-FAROOQ CORPORATION**  
 ENGINEERS & PRODUCT DEVELOPMENT  
 1235 S.W. 87 AVE  
 MIAMI, FLORIDA 33174  
 TEL. (305) 264-8100 FAX. (305) 262-6978  
 COMP-ANL\W96-25AWP

SERIES 6800 ALUM HORIZONTAL SLIDING WDW. (N.I.)  
**AWP WINDOWS & DOORS, LLC**  
 8130 N.W. 74TH AVE.  
 MEDLEY, FL. 33166  
 TEL. (305) 887-2646 FAX (305) 883-1309

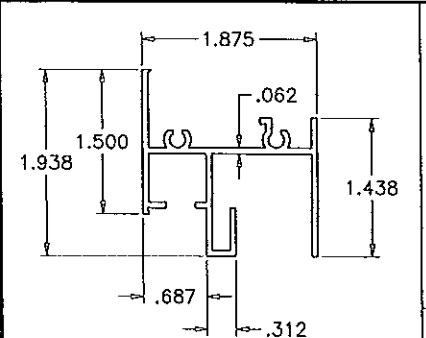
revisions:

no	date	by	description
E	02.20.09		UPDATED FOR 2007 FBC
F	05.06.10		MANUF. NAME REVISED
G	12.23.11		MANUF. NAME REVISED
H	05.22.14		GENERAL REVISION
I	11.03.14		NO CHANGE THIS SHEET

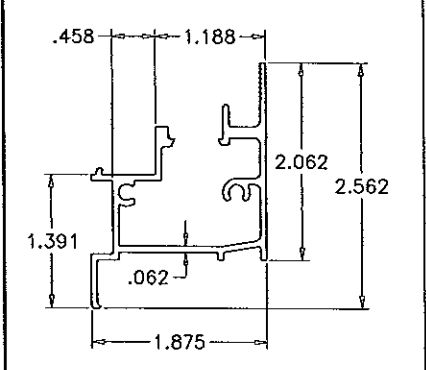
date: 08-01-96  
 scale: 1/2" = 1"  
 dr. by: HAMID  
 ch.k. by:

drawing no.  
**W96-25**  
 sheet 5 of 6

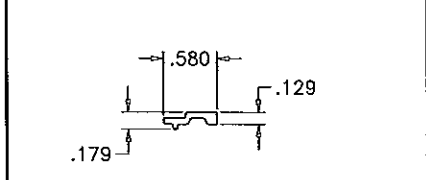




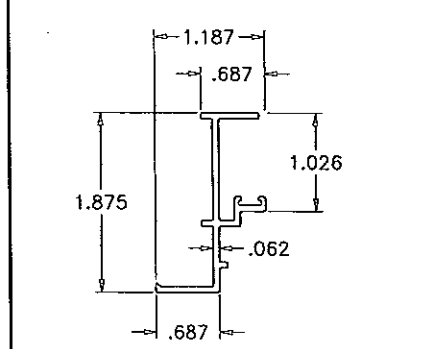
1 FRAME HEAD



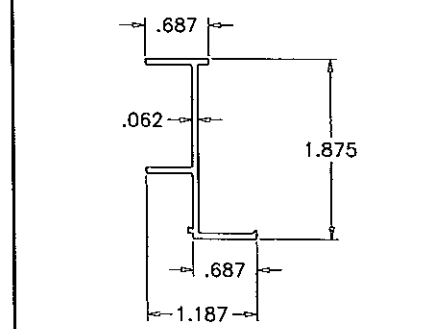
2 FRAME SILL



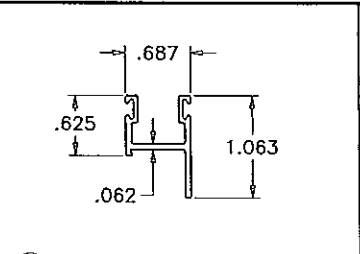
3 SILL INSERT



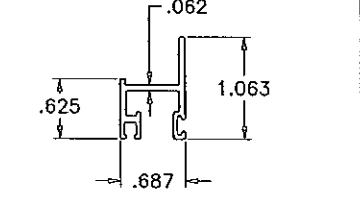
4 FRAME JAMB VENT



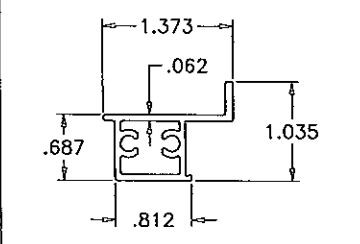
5 FRAME JAMB FIXED



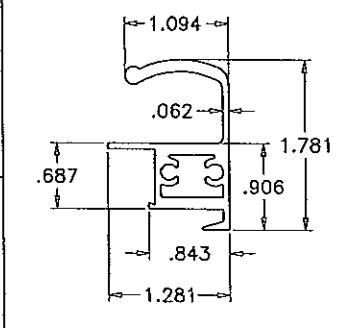
7 VENT TOP RAIL



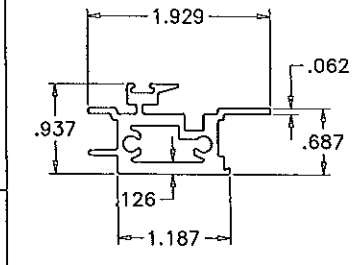
8 VENT BOTTOM RAIL



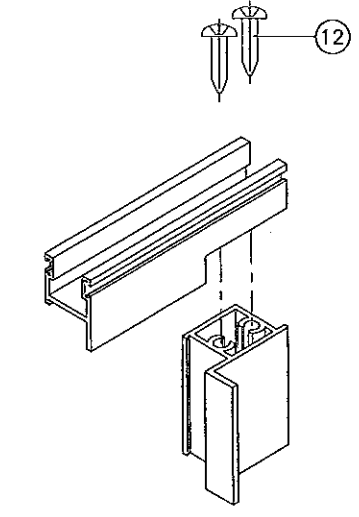
10 JAMB STILE



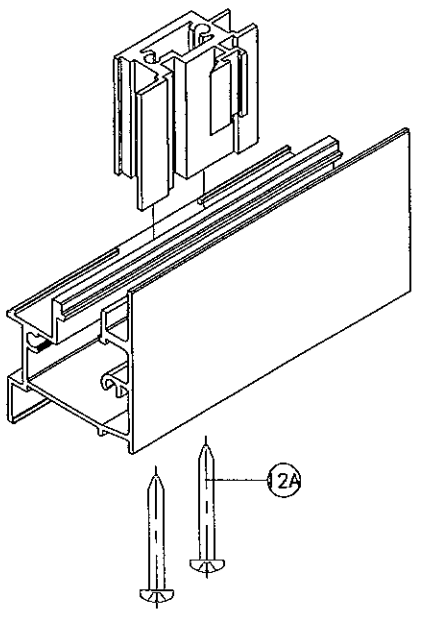
9 MEETING STILE



6 FIXED MTG. STILE

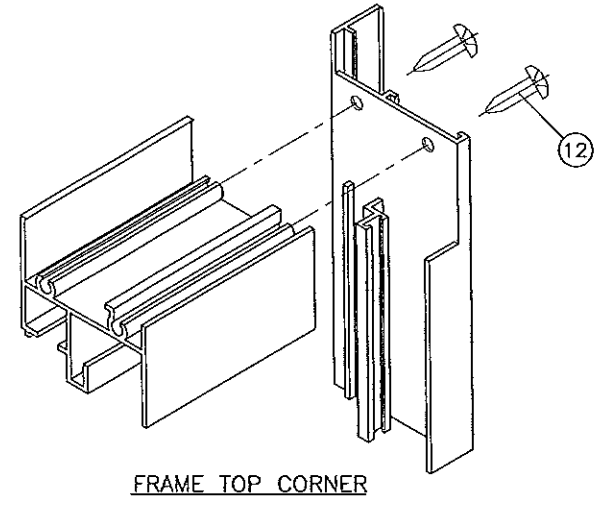


VENT TOP/BOTTOM CORNERS

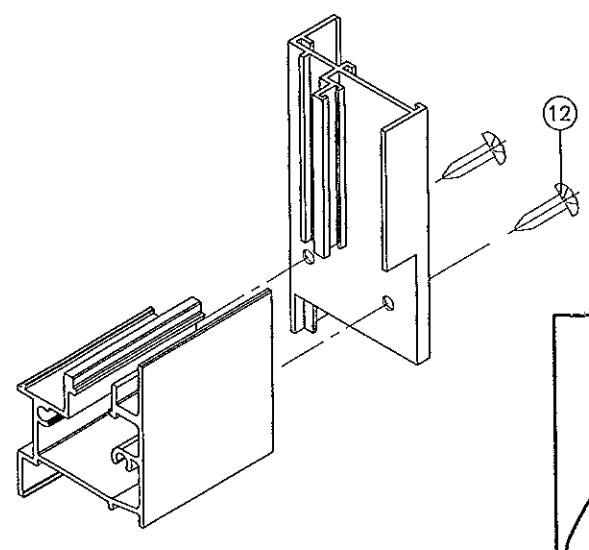


FIXED MTG. RAIL CORNER

ITEM #	PART #	REQD.	DESCRIPTION	MATERIAL	MANF./SUPPLIER/REMARKS
1	YE-5030	1	FRAME HEAD	6063-T6	-
2	YE-5039	1	FRAME SILL	6063-T6	-
3	YE-5038	AS REQD.	SILL INSERT	6063-T6	-
4	YE-5032	AS REQD.	FRAME JAMB-VENT	6063-T6	-
5	YE-5031	AS REQD.	FRAME JAMB-FIXED	6063-T6	-
6	YE-5037	1/ VENT	FIXED MTG. STILE	6063-T6	-
7	YE-5035	1/ VENT	VENT TOP RAIL	6063-T6	-
8	YE-5034	1/ VENT	VENT BOTTOM RAIL	6063-T6	-
9	YE-5036	1/ VENT	MEETING STILE	6063-T6	-
10	YE-5033	1/ VENT	JAMB STILE	6063-T6	-
11	YB-4	AS REQD.	ROLL FORMED GLAZING BEAD	ALUMINUM	-
12	#10X3/4" SMS	AS REQD.	FRAME & VENT ASSY. SCREW	-	CAD PLATED SMS W/ #8 HEAD
12A	#10X1-1/2" SMS	AS REQD.	FIXED MTG. STILE ASSY. SCREW	-	CAD PLATED SMS W/ #8 HEAD
13	YH-6016	1/ VENT	CAM LATCH	ZAMAK	DECO, PLATED OR PAINTED
14	#8X5/8" SMS	2/ LATCH	LATCH INST. SCREW	-	CAD PLATED CRS
15	YH-4004	AS REQD.	FIN SEAL PILE W/ PLASTIC FIN (.187" X .250")	-	ULTRAFAB
16	YH-6006	AS REQD.	FIN SEAL PILE W/ PLASTIC FIN (.115" X .500")	-	ULTRAFAB
17	YH-6007	AS REQD.	FIN SEAL PILE W/ PLASTIC FIN (.229" X .260")	-	ULTRAFAB
18	YH-6001	2/ VENT	ROLLER ASSY.	-	YH-6002 & YH-6003
19	-	2/ LITE	SETTING BLOCK	EPDM	DUROMETER 80±5 SHORE A



FRAME TOP CORNER



FRAME BOTTOM CORNER

Engr: JAVAD AHMAD  
 CIVIL  
 FLA. PE # 70592  
 C.A.N., 3538  
 NOV 05 2014

PRODUCT REVISED  
 as complying with the Florida  
 Building Code  
 Acceptance No 14-0722-08  
 Expiration Date Jan 23, 2018  
 By *Manuel Perez*  
 Miami Dade Product Control

**afC**  
**AL-FAROOQ CORPORATION**  
 ENGINEERS & PRODUCT DEVELOPMENT  
 1235 S.W. 87 AVE  
 MIAMI, FLORIDA 33174  
 TEL. (305) 264-8100 FAX. (305) 262-6978  
 CC01RFP-AMN1.W96-25.6WD

SERIES 6800 ALUM HORIZONTAL SLIDING WDW. (N.I.)  
**AWP WINDOWS & DOORS, LLC**  
 8130 N.W. 74TH AVE.  
 MEDLEY, FL. 33166  
 TEL. (305) 887-2646 FAX (305) 883-1309

no	date	description	by
E	02.20.09	UPDATED FOR 2007 FBC	
F	05.06.10	MANUF. NAME REVISED	
G	12.23.11	MANUF. NAME REVISED	
H	05.22.14	GENERAL REVISION	
I	11.03.14	NO CHANGE THIS SHEET	

date: 08-01-96  
 scale: 1/2" = 1"  
 dr. by: HAMID  
 chk. by:

drawing no.  
**W96-25**  
 sheet 6 of 6