



DEPARTMENT OF REGULATORY AND ECONOMIC RESOURCES (RER)
BOARD AND CODE ADMINISTRATION DIVISION

MIAMI-DADE COUNTY
PRODUCT CONTROL SECTION
11805 SW 26 Street, Room 208
T (786) 315-2590 F (786) 315-2599
www.miamidade.gov/economy

NOTICE OF ACCEPTANCE (NOA)

AWP Windows and Doors, LLC
8130 NW 74th Avenue
Medley, FL 33166

SCOPE:

This NOA is being issued under the applicable rules and regulations governing the use of construction materials. The documentation submitted has been reviewed and accepted by Miami-Dade County RER - Product Control Section to be used in Miami Dade County and other areas where allowed by the Authority Having Jurisdiction (AHJ).

This NOA shall not be valid after the expiration date stated below. The Miami-Dade County Product Control Section (In Miami Dade County) and/or the AHJ (in areas other than Miami Dade County) reserve the right to have this product or material tested for quality assurance purposes. If this product or material fails to perform in the accepted manner, the manufacturer will incur the expense of such testing and the AHJ may immediately revoke, modify, or suspend the use of such product or material within their jurisdiction. RER reserves the right to revoke this acceptance, if it is determined by Miami-Dade County Product Control Section that this product or material fails to meet the requirements of the applicable building code.

This product is approved as described herein, and has been designed to comply with the Florida Building Code, including the High Velocity Hurricane Zone.

DESCRIPTION: Series "Exterior Glazed" Aluminum Fixed Window – N.I.

APPROVAL DOCUMENT: Drawing No. W00-53, titled "Exterior Glazed Alum. Fixed Window. (N.I.)", sheets 1 through 6 of 6, dated 12/12/00, with revision F dated 05/22/14, prepared by Al-Farooq Corporation, signed and sealed by Javad Ahmad, P.E., bearing the Miami-Dade County Product Control Revision stamp with the Notice of Acceptance number and expiration date by the Miami-Dade County Product Control Section.

MISSILE IMPACT RATING: None.

LABELING: Each unit shall bear a permanent label with the manufacturer's name or logo, city, state, model/series, and following statement: "Miami-Dade County Product Control Approved", unless otherwise noted herein.

RENEWAL of this NOA shall be considered after a renewal application has been filed and there has been no change in the applicable building code negatively affecting the performance of this product.

TERMINATION of this NOA will occur after the expiration date or if there has been a revision or change in the materials, use, and/or manufacture of the product or process. Misuse of this NOA as an endorsement of any product, for sales, advertising or any other purposes shall automatically terminate this NOA. Failure to comply with any section of this NOA shall be cause for termination and removal of NOA.

ADVERTISEMENT: The NOA number preceded by the words Miami-Dade County, Florida, and followed by the expiration date may be displayed in advertising literature. If any portion of the NOA is displayed, then it shall be done in its entirety.

INSPECTION: A copy of this entire NOA shall be provided to the user by the manufacturer or its distributors and shall be available for inspection at the job site at the request of the Building Official.

This NOA revises NOA# 11-1213.09 and consists of this page 1 and evidence pages E-1 and E-2, as well as approval document mentioned above.

The submitted documentation was reviewed by Manuel Perez, P.E.



MP
10/02/14

NOA No. 14-0731.07
Expiration Date: December 13, 2016
Approval Date: October 09, 2014
Page 1

AWP Windows and Doors, LLC

NOTICE OF ACCEPTANCE: EVIDENCE SUBMITTED

A. DRAWINGS

1. Manufacturer's die drawings and sections.
2. Drawing No **W00-53**, Sheets 1 through 6 of 6, titled "Exterior Glazed Alum. Fixed Window (N.I.)", dated 12/12/00, with revision F dated 05/22/14, prepared by Al-Farooq Corporation, signed and sealed by Javad Ahmad, P.E.

B. TESTS

1. Test reports on: 1) Air Infiltration Test, per FBC, TAS 202-94
2) Uniform Static Air Pressure Test, Loading per FBC, TAS 202-94
3) Water Resistance Test, per FBC, TAS 202-94
4) Forced Entry Test, per FBC 2411.3.2.1, and TAS 202-94
along with marked-up drawings and installation diagram of a fixed window, with insulated glass, prepared by Fenestration Testing Laboratory, Inc., Test Report No. **FTL-7751**, dated 02/27/14, signed and sealed by Marlin D. Brinson, P.E.
2. Test reports on: 1) Air Infiltration Test, per FBC, TAS 202-94
2) Uniform Static Air Pressure Test, Loading per FBC, TAS 202-94
3) Water Resistance Test, per FBC, TAS 202-94
4) Large Missile Impact Test per FBC, TAS 201-94
5) Cyclic Wind Pressure Loading per FBC, TAS 203-94
6) Forced Entry Test, per FBC 2411.3.2.1, and TAS 202-94
along with marked-up drawings and installation diagram of a fixed window, O configuration, prepared by Fenestration Testing Laboratory, Inc., Test Report No. **FTL-6601**, dated 08/31/11, signed and sealed by Marlin D. Brinson, P.E.
(Submitted under previous NOA #11-1213.09)
3. Test reports on: 1) Air Infiltration Test, per PA 202-94
2) Uniform Static Air Pressure Test, Loading per PA 202-94
3) Water Resistance Test, per PA 202-94
along with installation diagram of an aluminum arch fixed window (3/16" temp), prepared by Hurricane Engineering & Testing Inc., Report No. **HETI-00-1174A**, dated 10/19/00, signed and sealed by Arshad Viqar, P.E.
(Submitted under NOA #06-1229.02)
4. Test reports on: 1) Air Infiltration Test, per PA 202-94
2) Uniform Static Air Pressure Test, Loading per PA 202-94
3) Water Resistance Test, per PA 202-94
along with installation diagram of an aluminum rectangular fixed window (3/16" ann), prepared by Hurricane Engineering & Testing Inc., Report No. **HETI-00-1174B**, dated 10/19/00, signed and sealed by Arshad Viqar, P.E.
(Submitted under NOA #06-1229.02)
5. Test reports on: 1) Air Infiltration Test, per PA 202-94
2) Uniform Static Air Pressure Test, Loading per PA 202-94
3) Water Resistance Test, per PA 202-94


Manuel Perez, P.E.

Product Control Examiner

NOA No. 14-0731.07

Expiration Date: December 13, 2016

Approval Date: October 09, 2014

AWP Windows and Doors, LLC

NOTICE OF ACCEPTANCE: EVIDENCE SUBMITTED

B. TESTS (CONTINUED)

5. along with installation diagram of an aluminum rectangular fixed window (3/16" temp), prepared by Hurricane Engineering & Testing Inc., Report No. **HETI-00-1174C**, dated 10/19/00, signed and sealed by Arshad Viqar, P.E.
(Submitted under NOA #06-1229.02)
6. Test reports on: 1) Air Infiltration Test, per PA 202-94
2) Uniform Static Air Pressure Test, Loading per FBC TAS 202-94
3) Water Resistance Test, per FBC, TAS 202-94
along with installation diagram of an aluminum rectangular fixed window (3/16" temp), prepared by Hurricane Engineering & Testing Inc., Report No. **HETI-00-1174D**, dated 10/19/00, signed and sealed by Arshad Viqar, P.E.
(Submitted under NOA #06-1229.02)

C. CALCULATIONS

1. Anchor verification calculations and structural analysis, complying with **FBC 5th Edition (2014)**, dated 06/04/14, prepared by Al-Farooq Corporation, signed and sealed by Javad Ahmad, P.E.
2. Glazing complies with **ASTM E1300-09**.

D. QUALITY ASSURANCE

1. Miami-Dade Department of Regulatory and Economic Resources (RER)

E. MATERIAL CERTIFICATIONS

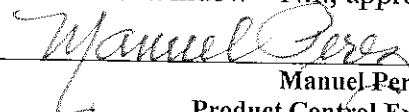
1. None.

F. STATEMENTS

1. Statement letter of conformance, complying with the **FBC 5th Edition (2014)**, and of no financial interest, dated June 9, 2014, signed and sealed by Javad Ahmad, P.E.
2. Proposal No. **13-0641** issued by the Product Control Section, dated July 16, 2013, signed by Manuel Perez, P.E.
3. Asset purchase agreement dated March 20, 2014, signed by Mr. Paul Schmitz, Chief Executive Officer and President, Trulite Intermediate Holding, LLC and Mr. Tim Morris, Jr., President and C.F.O., AWP Windows and Doors, LLC.
4. Letter from owners of existing NOA stating that they have sold all assets to the applicant, that they no longer manufacture the product and relinquish their rights to the current NOA, dated June 24, 2014, signed by Mr. Kevin Barrett, Chief Financial Officer, Trulite Window & Door Solutions, LLC.

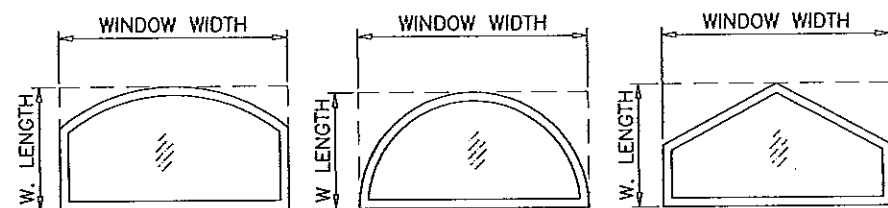
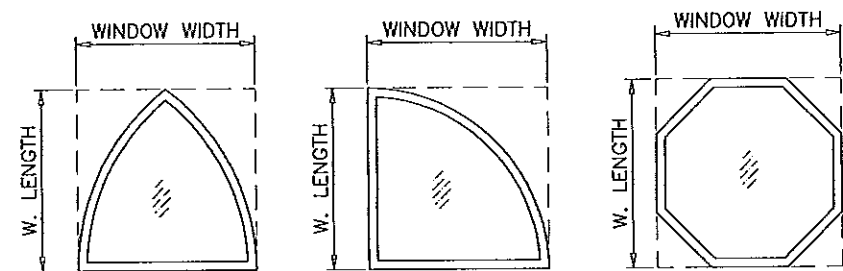
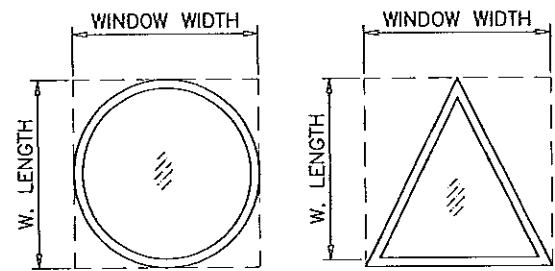
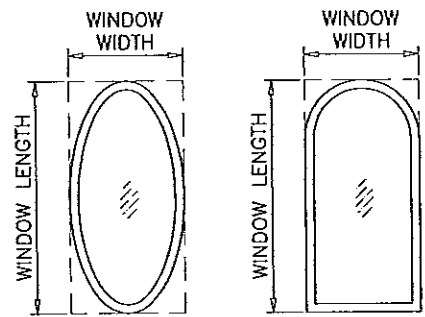
G. OTHERS

1. Notice of Acceptance No. **11-1213.09**, issued to Trulite Window & Door Solutions, LLC, for their Series "Exterior Glazed" Aluminum Fixed Window - N.I., approved on 02/02/12 and expiring on 12/13/16.

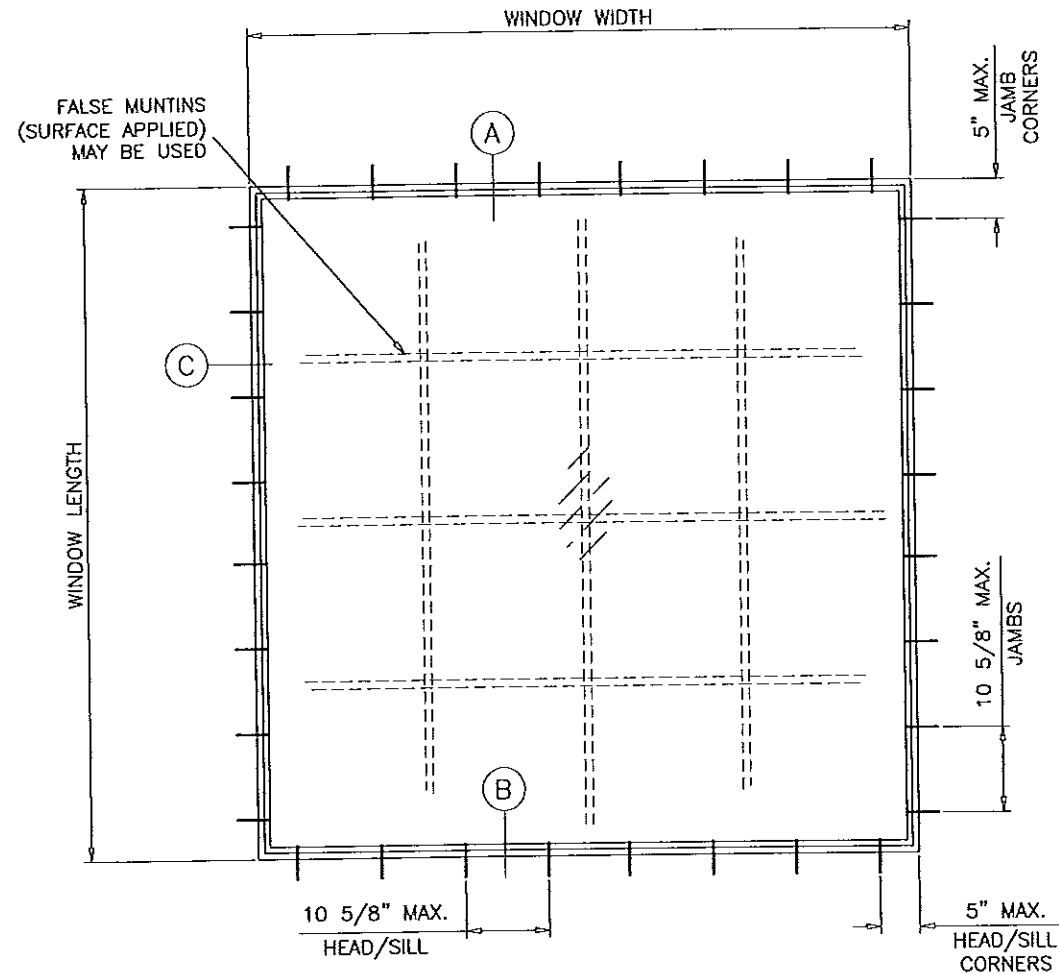

Manuel Perez, P.E.
Product Control Examiner
NOA No. 14-0731.07

Expiration Date: December 13, 2016

Approval Date: October 09, 2014



ALLOWABLE LOADS FOR ALTERNATE SHAPES AS SHOWN ABOVE OR SIMILAR CAN BE VERIFIED BY INSCRIBING PICTURE WINDOW SHAPE WITHIN SQUARE OR RECTANGLE AS SHOWN IN DOTTED LINES AND OBTAINING ALLOWABLE LOADS FROM THOSE SHAPES.



TYPICAL ELEVATION

EXTERIOR GLAZED ALUMINUM FIXED WINDOW

APPROVAL APPLIES TO SINGLE UNITS OR SIDE BY SIDE COMBINATIONS OF FIXED/FIXED OR FIXED WITH OTHER MIAMI-DADE COUNTY APPR'D WINDOWS USING MIAMI-DADE COUNTY APPROVED MULLIONS IN BETWEEN. LOWER DESIGN PRESSURE FROM WINDOWS OR MULLION APPROVAL WILL APPLY TO ENTIRE SYSTEM.

DESIGN LOAD RATING FOR THESE WINDOWS TO BE AS PER CHARTS ON SHEETS 2 & 3.

THIS PRODUCT HAS BEEN DESIGNED AND TESTED TO COMPLY WITH THE REQUIREMENTS OF THE FLORIDA BUILDING CODE INCLUDING HIGH VELOCITY HURRICANE ZONE (HVHZ).

WOOD BUCKS BY OTHERS, MUST BE ANCHORED PROPERLY TO TRANSFER LOADS TO THE STRUCTURE.

ANCHORS SHALL BE AS LISTED, SPACED AS SHOWN ON DETAILS, ANCHORS EMBEDMENT TO BASE MATERIAL SHALL BE BEYOND WALL DRESSING OR STUCCO.

ANCHORING OR LOADING CONDITIONS NOT SHOWN IN THESE DETAILS ARE NOT PART OF THIS APPROVAL.

A LOAD DURATION INCREASE IS USED IN DESIGN OF ANCHORS INTO WOOD ONLY.

ALL SHIMS TO BE HIGH IMPACT, NON-METALLIC AND NON-COMPRESSIBLE.

MATERIALS INCLUDING BUT NOT LIMITED TO STEEL/METAL SCREWS, THAT COME INTO CONTACT WITH OTHER DISSIMILAR MATERIALS SHALL MEET THE REQUIREMENTS OF THE FLORIDA BLDG. CODE.

WINDOWS NOT RATED FOR IMPACT. INSTALLATION OF THIS PRODUCT IN THE HVHZ AREA REQUIRES THE USE OF APPROVED SHUTTERS OR EXTERNAL PROTECTION DEVICES COMPLYING WITH HVHZ REQUIREMENTS. INSTALLATION OF THIS SYSTEM OUTSIDE THE HVHZ AREA SHALL MEET THE APPLICABLE REQUIREMENTS FOR WIND BORNE DEBRIS PROTECTION.

Engr: JAVAD AHMAD
CIVIL
FLA. PE # 70592
C.A.N. 3538

JUN 18 2016

PRODUCT REVISED
as complying with the Florida
Building Code
Acceptance No 14-0731.07
Expiration Date Dec 13, 2016

By *Manuel Perez*
Miami Dade Product Control

afc
AL-FAROOQ CORPORATION
ENGINEERS & PRODUCT DEVELOPMENT
1235 S.W. 87 AVE
MIAMI, FLORIDA 33174
TEL (305) 264-8100 FAX (305) 262-6978
COMP-ANL\W00-53YO

EXTERIOR GLAZED ALUM FIXED WINDOW (N.I.)
AWP WINDOWS & DOORS, LLC
8130 N.W. 74TH AVE.
MEDLEY, FL. 33166
TEL (305) 887-2646 FAX (305) 883-1309

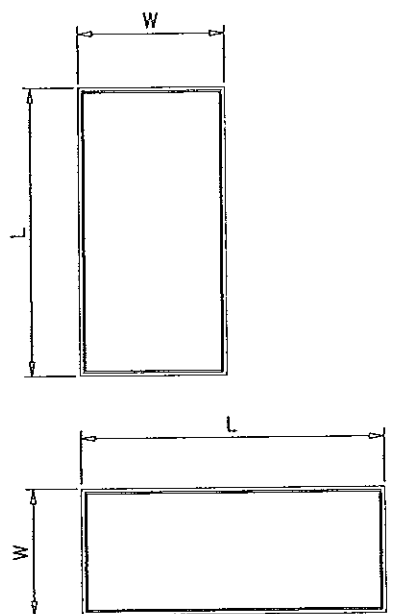
NO	DATE	BY	DESCRIPTION
B	12.11.06		UPDATED FOR 2004 FBC
C	03.25.09		NOTES REV., MANUF. NAME CHANGE
D	09.02.10		MANUF. NAME REVISED
E	11.18.11		UPDATED TO 2010 FBC, NAME REV
F	05.22.14		GENERAL REVISION

date: 12-12-00
scale: 1/2"=1'-0"
dr. by: HAMID
chk. by:

drawing no.
W00-53
sheet 1 of 6

DESIGN LOAD CAPACITY - PSF						
WINDOW DIMS.		GLASS TYPE 'A'		GLASS TYPE 'B'		
WIDTH	LENGTH	EXT. (+)	INT. (-)	EXT. (+)	INT. (-)	
18"	24"	80.0	82.2	80.0	186.7	
24"		61.7	61.7	80.0	140.0	
30"		61.7	61.7	80.0	140.0	
36"		61.7	61.7	80.0	140.0	
42"		61.7	61.7	80.0	140.0	
48"		61.7	61.7	80.0	140.0	
54"		59.5	59.5	80.0	135.0	
60"		57.8	57.8	80.0	131.3	
66"		56.5	56.5	80.0	128.3	
72"		55.6	55.6	80.0	126.0	
18"	36"	80.0	82.2	80.0	186.7	
24"		61.7	61.7	80.0	140.0	
30"		49.3	49.3	80.0	112.0	
36"		41.1	41.1	80.0	93.3	
42"		41.1	41.1	80.0	93.3	
48"		41.1	41.1	80.0	93.3	
54"		41.1	41.1	80.0	93.3	
60"		41.1	41.1	80.0	93.3	
66"		41.1	41.1	80.0	93.3	
72"		38.1	38.1	80.0	93.3	
18"	48"	75.9	75.9	80.0	172.3	
24"		61.7	61.7	80.0	140.0	
30"		49.3	49.3	80.0	112.0	
36"		41.1	41.1	80.0	93.3	
42"		35.2	35.2	80.0	80.0	
48"		30.8	30.8	70.0	70.0	
54"		30.8	30.8	70.0	70.0	
60"		-	-	70.0	70.0	
66"		-	-	70.0	70.0	
72"		-	-	70.0	70.0	
18"	60"	72.5	72.5	80.0	164.7	
24"		57.8	57.8	80.0	131.3	
30"		49.3	49.3	80.0	112.0	
36"		41.1	41.1	80.0	93.3	
42"		35.2	35.2	80.0	80.0	
48"		-	-	70.0	70.0	
54"		-	-	62.2	62.2	
60"		-	-	56.0	56.0	
66"		-	-	56.0	56.0	
72"		-	-	56.0	56.0	
18"	72"	70.5	70.5	80.0	160.0	
24"		55.5	55.5	80.0	126.0	
30"		44.7	44.7	80.0	106.1	
36"		38.1	38.1	80.0	93.3	
42"		-	-	80.0	80.0	
48"		-	-	70.0	70.0	
54"		-	-	62.2	62.2	
60"		-	-	56.0	56.0	
18"		84"	69.1	69.1	80.0	156.8
24"			54.0	54.0	80.0	122.5
30"	40.7		40.7	80.0	102.3	
36"	-		-	80.0	89.1	
42"	-		-	80.0	80.0	
48"	-		-	70.0	70.0	
54"	-		-	62.2	62.2	

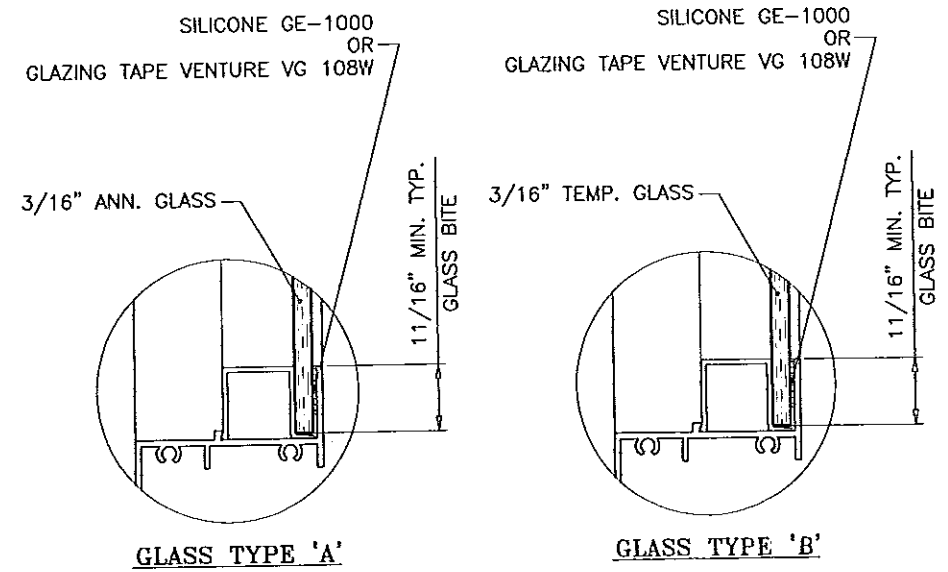
DESIGN LOAD CAPACITY - PSF						
WINDOW DIMS.		GLASS TYPE 'A'		GLASS TYPE 'B'		
WIDTH	LENGTH	EXT. (+)	INT. (-)	EXT. (+)	INT. (-)	
18"	96"	68.0	68.0	80.0	154.5	
24"		52.9	52.9	80.0	120.0	
30"		-	-	80.0	99.6	
36"		-	-	80.0	86.2	
42"		-	-	76.8	76.8	
48"		-	-	70.0	70.0	
18"	108"	57.5	57.5	80.0	152.7	
24"		52.0	52.0	80.0	118.1	
30"		-	-	80.0	97.5	
36"		-	-	80.0	84.0	
42"		-	-	74.5	74.5	
18"		114"	50.8	50.8	80.0	152.0
24"	50.8		50.8	80.0	117.4	
30"	-		-	80.0	96.7	
36"	-		-	80.0	83.1	
18"	120"		45.3	45.3	80.0	151.4
24"			-	-	80.0	116.7
30"		-	-	80.0	96.0	
36"		-	-	80.0	82.4	
18"		132"	36.6	36.6	80.0	146.4
24"			-	-	80.0	115.5
30"	-		-	80.0	94.8	
18"	144"		30.1	30.1	80.0	120.3
24"			-	-	80.0	114.5
30"			-	-	80.0	93.8



NOTE:
WIDTH AND LENGTH DIMENSIONS CAN BE ORIENTED
VERTICALLY OR HORIZONTALLY AS SHOWN ABOVE.

DESIGN LOAD CAPACITY - PSF					
WINDOW DIMS.		GLASS TYPE 'A'		GLASS TYPE 'B'	
WIDTH	LENGTH	EXT. (+)	INT. (-)	EXT. (+)	INT. (-)
19-1/8"	26"	77.4	77.4	80.0	175.7
26-1/2"		56.9	56.9	80.0	129.2
37"		56.9	56.9	80.0	129.2
53-1/8"	38-3/8"	56.5	56.5	80.0	128.3
19-1/8"		77.3	77.3	80.0	175.5
26-1/2"		55.8	55.8	80.0	126.8
37"	40.0	40.0	80.0	90.8	
53-1/8"	59"	38.6	38.6	80.0	87.6
19-1/8"		69.3	69.3	80.0	157.3
26-1/2"		54.0	54.0	80.0	122.6
37"	40.0	40.0	80.0	90.8	
53-1/8"	63"	-	-	63.2	63.2
19-1/8"		68.4	68.4	80.0	155.3
26-1/2"		53.0	53.0	80.0	120.4
37"	40.0	40.0	80.0	90.8	
53-1/8"	74-1/4"	-	-	63.2	63.2
19-1/8"		66.6	66.6	80.0	151.2
26-1/2"		51.0	51.0	80.0	115.8
37"	-	-	80.0	90.7	
53-1/8"	-	-	63.2	63.2	

NOTE:
GLASS CAPACITIES ON THIS SHEET ARE
BASED ON ASTM E1300-09 (3 SEC. GUSTS).



GLAZING OPTIONS

Engr: JAVAD AHMAD
CIVIL
FLA. PE # 70592
C.A.N. 3538

JUN 18 2014

PRODUCT REVISED
as complying with the Florida
Building Code
Acceptance No. 14-0791.07
Expiration Date Dec. 13, 2016

By: *[Signature]*
Miami Dade Product Control

afC
AL-FAROOQ CORPORATION
ENGINEERS & PRODUCT DEVELOPMENT
1235 S.W. 87 AVE
MIAMI, FLORIDA 33174
TEL (305) 264-8100 FAX (305) 262-6978
COMP-ANL\W00-53Y0

EXTERIOR GLAZED ALUM FIXED WINDOW (N.I.)
AWP WINDOWS & DOORS, LLC
8130 N.W. 74TH AVE.
MEDLEY, FL. 33166
TEL (305) 887-2646 FAX (305) 883-1309

no	date	description	by
B	12.11.06	UPDATED FOR 2004 FBC	
C	03.25.09	NOTES REV., MANUF. NAME CHANGE	
D	09.02.10	MANUF. NAME REVISED	
E	11.18.11	MANUF. NAME REVISED	
F	05.22.14	GENERAL REVISION	

date: 12-12-00
scale: -
dr. by: HAMID
chk. by:

drawing no.
W00-53

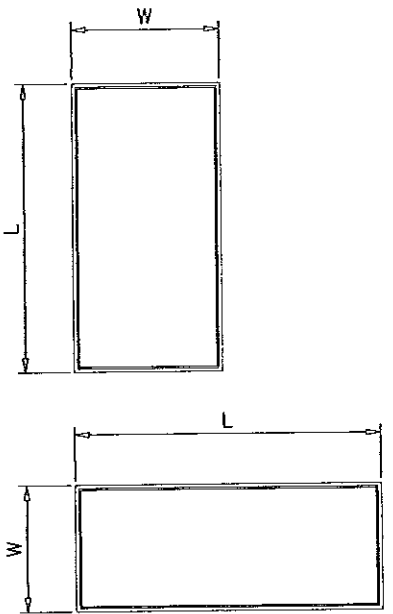
sheet 2 of 6

DESIGN LOAD CAPACITY - PSF					
WINDOW DIMS.		GLASS TYPE 'D'		GLASS TYPE 'C'	
WIDTH	LENGTH	EXT. (+)	INT. (-)	EXT. (+)	INT. (-)
18"	24"	52.0	106.9	60.0	177.1
24"		52.0	80.2	60.0	132.8
30"		52.0	80.2	60.0	132.8
36"		52.0	80.2	60.0	127.9
42"		52.0	79.3	60.0	119.4
48"		52.0	75.5	60.0	113.7
54"		52.0	69.6	60.0	109.7
60"		52.0	62.9	60.0	106.6
66"		52.0	58.8	60.0	104.3
72"		52.0	56.0	60.0	102.4
18"	36"	52.0	100.7	60.0	151.6
24"		52.0	80.2	60.0	127.9
30"		52.0	64.1	60.0	106.3
36"		52.0	53.4	60.0	88.5
42"		52.0	53.4	60.0	88.5
48"		52.0	53.4	60.0	88.5
54"		52.0	53.4	60.0	85.3
60"		52.0	53.4	60.0	81.2
66"		-	-	60.0	78.2
72"		-	-	60.0	75.8
18"	48"	52.0	92.9	60.0	140.0
24"		52.0	75.5	60.0	113.7
30"		52.0	64.1	60.0	99.3
36"		52.0	53.4	60.0	88.5
42"		45.8	45.8	60.0	75.9
48"		40.1	40.1	60.0	66.4
54"		-	-	60.0	66.4
60"		-	-	60.0	66.4
66"	-	-	60.0	66.4	
72"	-	-	60.0	64.0	
18"	60"	52.0	88.8	60.0	133.8
24"		52.0	62.9	60.0	106.6
30"		52.0	56.2	60.0	91.0
36"		52.0	53.4	60.0	81.2
42"		-	-	60.0	75.0
48"		-	-	60.0	66.4
54"		-	-	59.0	59.0
60"	-	-	53.1	53.1	
18"	72"	52.0	86.3	60.0	130.0
24"		52.0	56.0	60.0	102.4
30"		44.5	44.5	60.0	86.2
36"		-	-	60.0	75.8
42"		-	-	60.0	68.8
48"		-	-	60.0	64.0
54"	-	-	59.0	59.0	
18"	84"	52.0	78.6	60.0	127.4
24"		51.4	51.4	60.0	99.5
30"		-	-	60.0	83.1
36"		-	-	60.0	72.4
42"		-	-	60.0	65.0

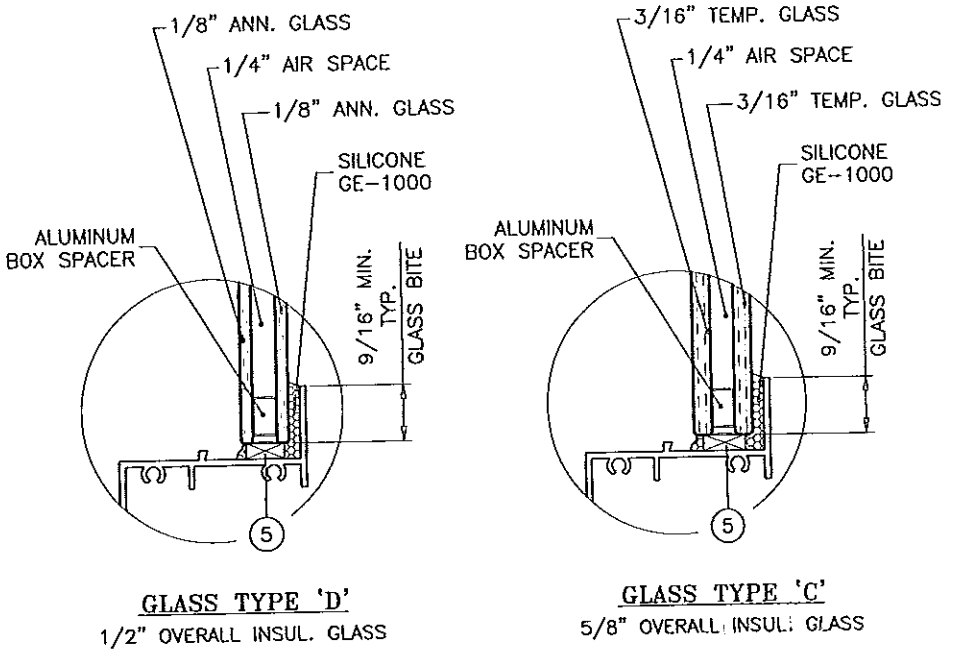
DESIGN LOAD CAPACITY - PSF					
WINDOW DIMS.		GLASS TYPE 'D'		GLASS TYPE 'C'	
WIDTH	LENGTH	EXT. (+)	INT. (-)	EXT. (+)	INT. (-)
18"	96"	52.0	58.1	60.0	125.5
24"		47.9	47.9	60.0	97.5
30"		-	-	60.0	80.9
36"		-	-	60.0	70.0
18"		108"	44.2	44.2	60.0
24"	-		-	60.0	96.0
30"	-		-	60.0	79.2
36"	-		-	60.0	68.2
18"	114"		39.2	39.2	60.0
24"		-	-	60.0	95.3
30"		-	-	60.0	78.6
18"	120"	34.8	34.8	60.0	123.0
24"		-	-	60.0	94.8
30"		-	-	60.0	78.0
18"	132"	-	-	60.0	122.1
24"		-	-	60.0	93.8
18"	144"	-	-	60.0	121.3
24"		-	-	60.0	93.1

DESIGN LOAD CAPACITY - PSF					
WINDOW DIMS.		GLASS TYPE 'D'		GLASS TYPE 'C'	
WIDTH	LENGTH	EXT. (+)	INT. (-)	EXT. (+)	INT. (-)
19-1/8"	26"	52.0	100.6	60.0	166.7
26-1/2"		52.0	74.0	60.0	122.6
37"		52.0	74.0	60.0	121.4
53-1/8"		52.0	68.0	60.0	104.2
19-1/8"	38-3/8"	52.0	94.6	60.0	142.6
26-1/2"		52.0	72.6	60.0	118.0
37"		52.0	52.0	60.0	86.1
53-1/8"		50.1	50.1	60.0	83.1
19-1/8"	59"	52.0	84.8	60.0	127.7
26-1/2"		52.0	59.2	60.0	99.6
37"		52.0	52.0	60.0	80.6
53-1/8"	-	-	60.0	60.0	
19-1/8"	63"	52.0	83.8	60.0	126.2
26-1/2"		52.0	55.1	60.0	97.8
37"		51.6	51.6	60.0	78.3
53-1/8"		-	-	60.0	60.0
19-1/8"	74-1/4"	52.0	81.6	60.0	122.9
26-1/2"		47.7	47.7	60.0	94.0
37"		-	-	60.0	73.7
53-1/8"		-	-	60.0	60.0

NOTE:
GLASS CAPACITIES ON THIS SHEET ARE
BASED ON ASTM E1300-09 (3 SEC. GUSTS).



NOTE:
WIDTH AND LENGTH DIMENSIONS CAN BE ORIENTED
VERTICALLY OR HORIZONTALLY AS SHOWN ABOVE.



GLAZING OPTIONS

Engr: JAVAD AHMAD
CML
FLA. PE # 70592
C.A.N. 3538

By *Manuel Perez*
Miami Dade Product Control

JUN 18 2014

PRODUCT REVISED
as complying with the Florida
Building Code
Acceptance No. 14-0731.07
Expiration Date Dec. 13, 2016

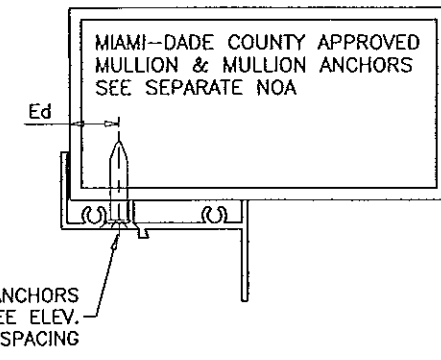
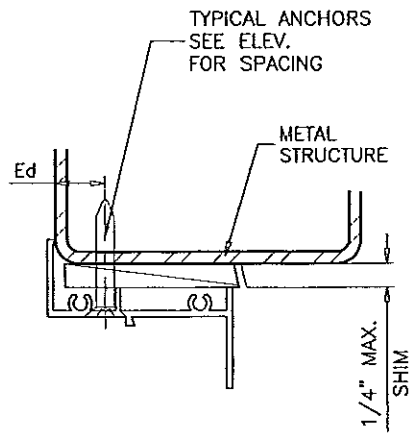
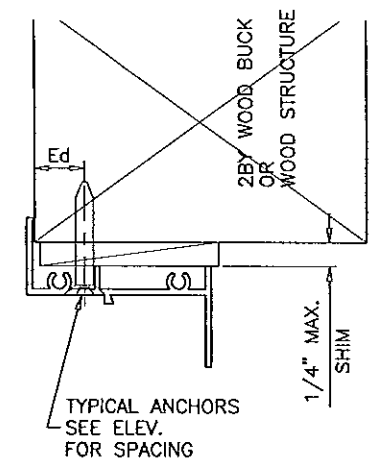
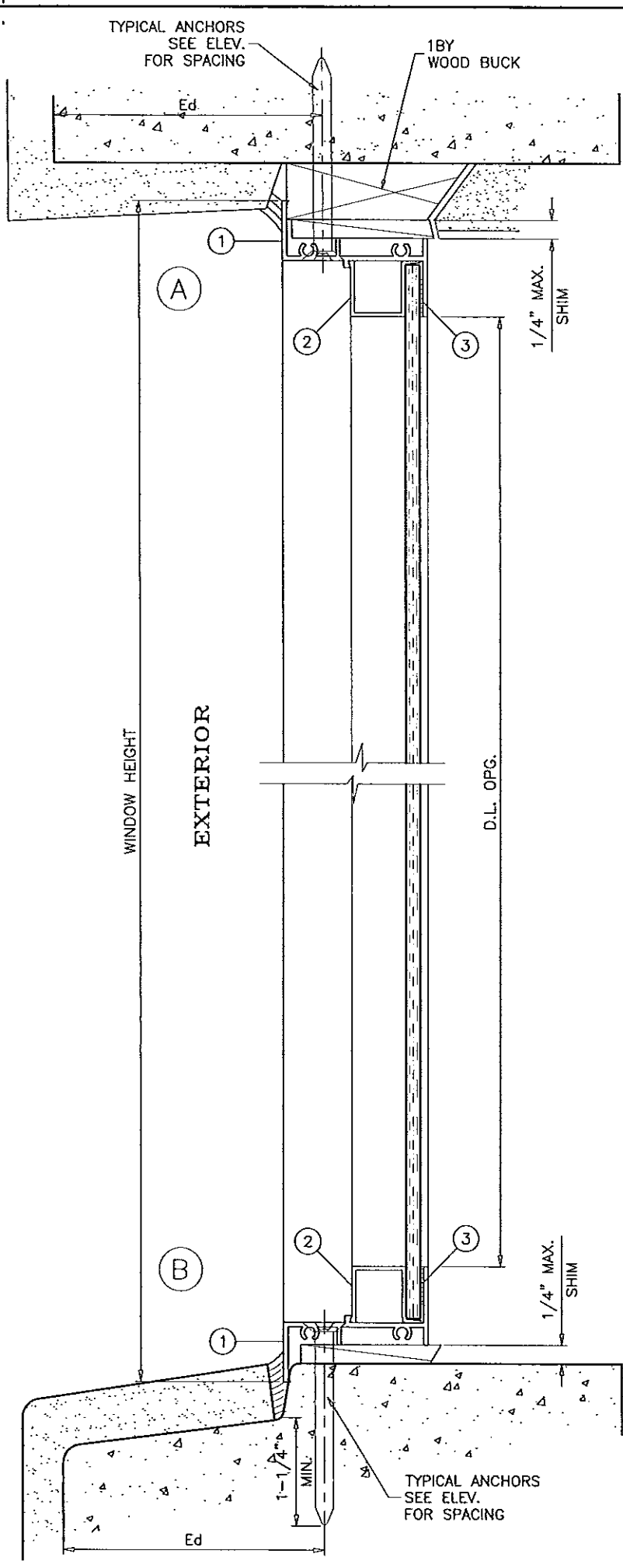
af c
AL-FAROOQ CORPORATION
ENGINEERS & PRODUCT DEVELOPMENT
1235 S.W. 87 AVE
MIAMI, FLORIDA 33174
TEL (305) 264-8100 FAX (305) 262-6978
COMP-ANL\W00-53Y0

EXTERIOR GLAZED ALUM FIXED WINDOW (N.I.)
AWP WINDOWS & DOORS, LLC
8130 N.W. 74TH AVE.
MEDLEY, FL. 33166
TEL (305) 887-2646 FAX (305) 883-1309

revisions:	no	date	by	description

date: 12-12-00
scale: -
dr. by: HAMID
chk. by:

drawing no.
W00-53
sheet 3 of 6



WOOD BUCKS AND METAL STRUCTURE NOT BY AWP MUST SUSTAIN LOADS IMPOSED BY GLAZING SYSTEM AND TRANSFER THEM TO THE BUILDING STRUCTURE.

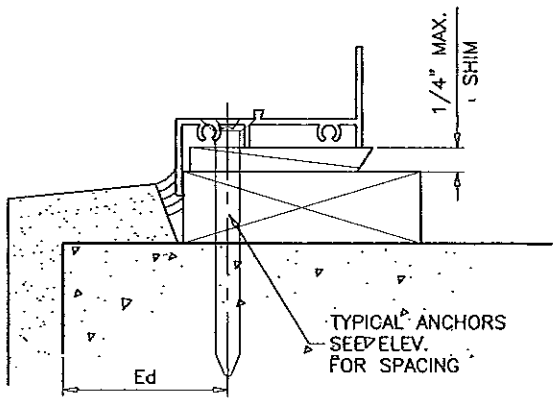
TYPICAL ANCHORS: SEE ELEV. FOR SPACING
1/4" DIA. TAPCON BY 'ITW' (Fu=120 KSI, Fy=92 KSI)
1/4" DIA. ULTRACON BY 'ELCO' (Fu=177 KSI, Fy=155 KSI)
 INTO 2BY WOOD BUCKS OR WOOD STRUCTURES
 1-1/2" MIN. PENETRATION INTO WOOD
 THRU 1BY BUCKS INTO CONC. OR MASONRY
 1-1/4" MIN. EMBED INTO CONC. OR MASONRY
 DIRECTLY INTO CONC. OR MASONRY
 1-1/4" MIN. EMBED INTO CONC. OR MASONRY

#14 SMS OR SELF DRILLING SCREWS (GRADE 2 CRS)
 INTO METAL STRUCTURES
 STEEL : 12 GA. MIN. (Fy = 36 KSI MIN.)
 ALUMINUM : 1/8" THK. MIN. (6063-T5 MIN.)
 (STEEL IN CONTACT WITH ALUMINUM TO BE PLATED OR PAINTED)

#10 SMS OR SELF DRILLING SCREWS (GRADE 2 CRS)
 INTO MIAMI-DADE COUNTY APPROVED MULLIONS (MIN. THK. = .090")
 (NO SHIM SPACE)

Ed = ANCHOR EDGE DISTANCE
 INTO CONCRETE AND MASONRY = 1-1/4" MIN.
 INTO WOOD STRUCTURE = 1/2" MIN.
 INTO METAL STRUCTURE = 1/2" MIN.

CONCRETE AT HEAD, SILL OR JAMBS f'c = 3000 PSI MIN.
 C-90 HOLLOW/FILLED BLOCK AT JAMBS f'm = 2000 PSI MIN.



SEALANTS:
 FRAME CORNERS AND INSTALLATION SCREWS SEALED WITH SILICONE SEALANT.

Engr: JAVAD AHMAD
 CIVIL
 FLA. PE # 70592
 C.A.N. 3538

JUN 18 2014

PRODUCT REVISED
 as complying with the Florida
 Building Code
 Acceptance No 14-0731-07
 Expiration Date Dec 13, 2016

By *Manuel Perez*
 Miami/Dade Product Control

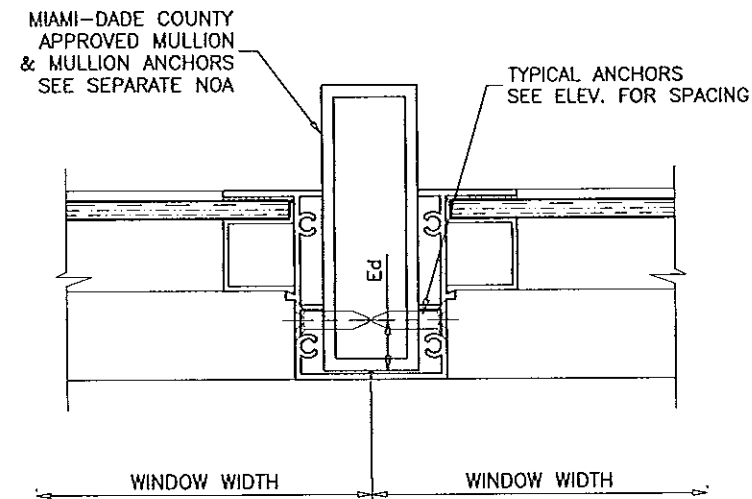
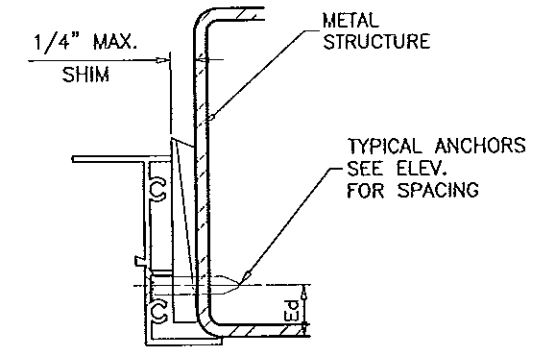
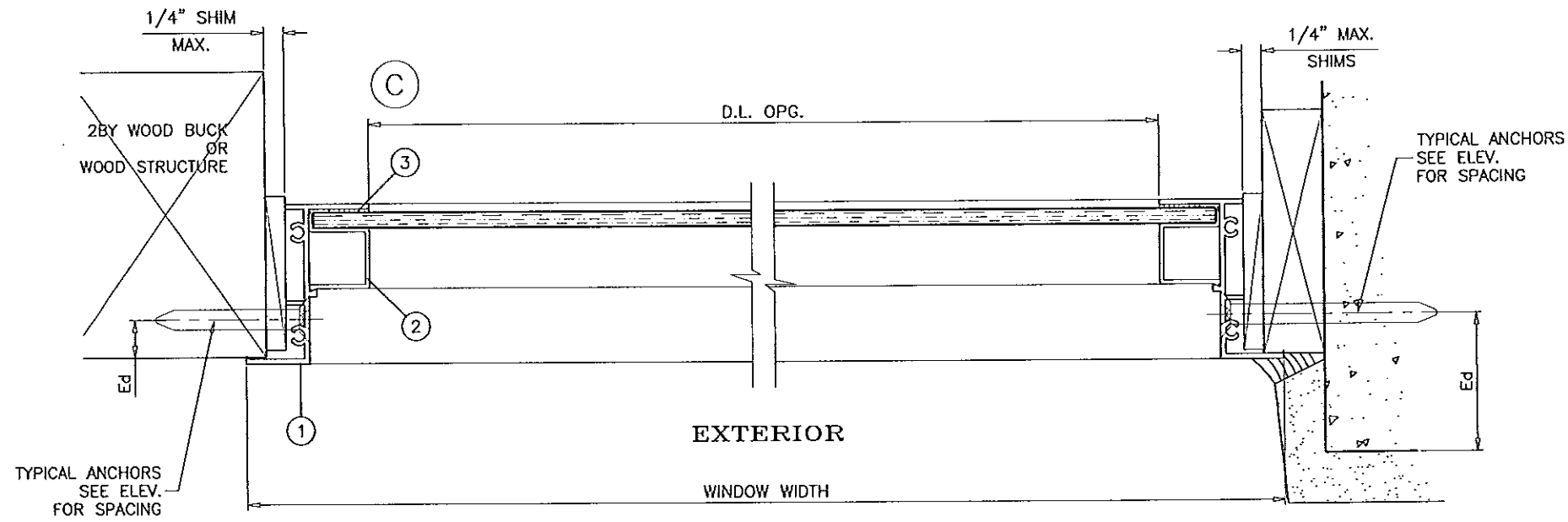
af c
AL-FAROOQ CORPORATION
 ENGINEERS & PRODUCT DEVELOPMENT
 1235 S.W. 87 AVE
 MIAMI, FLORIDA 33174
 TEL (305) 264-8100 FAX (305) 262-6978
 COMP-ANL\W00-53YO

EXTERIOR GLAZED ALUM FIXED WINDOW (N.I.)
AWP WINDOWS & DOORS, LLC
 8130 N.W. 74TH AVE.
 MEDLEY, FL. 33166
 TEL (305) 887-2646 FAX (305) 883-1309

no	date	by	description
B	12.11.06		UPDATED FOR 2004 FBC
C	03.25.09		MANUF. NAME CHANGE
D	09.02.10		MANUF. NAME REVISED
E	11.18.11		ANCHORS, MANUF. NAME REVISED
F	05.22.14		GENERAL REVISION

date: 12-12-00
 scale: 1/2" = 1"
 dr. by: HAMID
 chk. by:

drawing no.
W00-53
 sheet 4 of 6



Engr: JAVAD AHMAD
 CIVIL
 FLA. PE # 70592
 C.A.N. 3538

JUN 28 2014

PRODUCT REVISED
 as complying with the Florida
 Building Code
 Acceptance No 14-0731.07
 Expiration Date Dec 13, 2016

By *Manuel Perez*
 Miami Dade Product Control

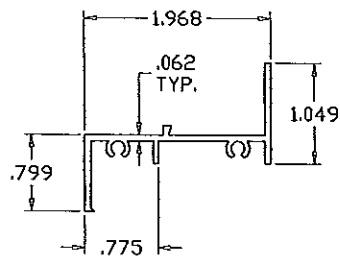
af c
AL-FAROOQ CORPORATION
 ENGINEERS & PRODUCT DEVELOPMENT
 1235 S.W. 87 AVE
 MIAMI, FLORIDA 33174
 TEL. (305) 264-8100 FAX. (305) 262-6978
 COMP-ANL\W00-53YO

EXTERIOR GLAZED ALUM FIXED WINDOW (N.I.)
AWP WINDOWS & DOORS, LLC
 8130 N.W. 74TH AVE.
 MEDLEY, FL. 33166
 TEL. (305) 887-2646 FAX (305) 883-1309

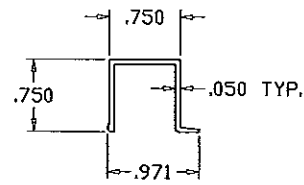
no	date	by	description
B	12.11.06		UPDATED FOR 2004 FBC
C	03.25.09		MANUF. NAME CHANGE
D	09.02.10		MANUF. NAME REVISED
E	11.18.11		MANUF. NAME REVISED
F	05.22.14		GENERAL REVISION

date: 12-12-00
 scale: 1/2" = 1"
 dr. by: HAMID
 chk. by:

drawing no.
W00-53
 sheet 5 of 6

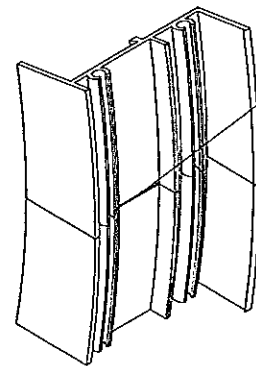


WINDOW FRAME

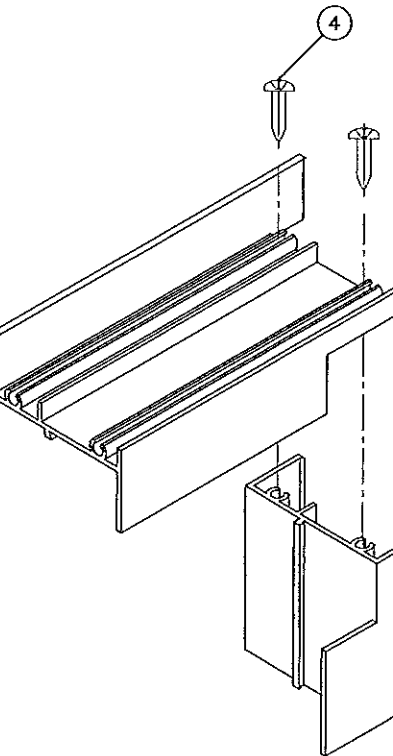


GLAZING STOP

ITEM NO.	PART NUMBER	QUANTITY	DESCRIPTION	MATERIAL	MANF./SUPLIER/REMARKS
1	YE-60	4	WINDOW FRAME	ALUMINUM	6063-T6
2	YE-42	4	GLAZING STOP	ALUMINUM	6063-T5
3	-	AS REQD.	GLAZING COMPOUND	SILICONE	GE-1000
3A	VG 108W	AS REQD.	GLAZING TAPE (1/2" X 1/8")	-	VENTURE
4	#8 X 1-1/2"	2/ CORNER	FRAME ASSEMBLY SCREWS	-	-
5	-	2/ LITE	SETTING BLOCK	EPDM	DUROMETER 80±5 SHORE A

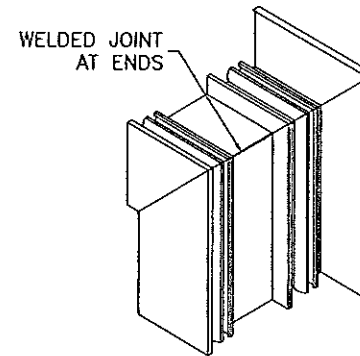


CIRCULAR WINDOWS



RECT. OR SQUARE WINDOWS

TYP. CORNER DETAILS



OPTIONAL CORNER

af c
AL-FAROOQ CORPORATION
 ENGINEERS & PRODUCT DEVELOPMENT
 1235 S.W. 87 AVE
 MIAMI, FLORIDA 33174
 TEL (305) 264-8100 FAX (305) 262-8978
 COMP-ANL\W00-53YO

EXTERIOR GLAZED ALUM FIXED WINDOW (N.I.)
AWP WINDOWS & DOORS, LLC
 8130 N.W. 74TH AVE.
 MEDLEY, FL. 33166
 TEL (305) 887-2646 FAX (305) 883-1309

revisions:

no	date	by	description
B	12.11.06		UPDATED FOR 2004 FBC
C	03.25.09		MANUF. NAME CHANGE
D	09.02.10		MANUF. NAME REVISED
E	11.18.11		MANUF. NAME REVISED
F	05.22.14		GENERAL REVISION

Engr: JAVAD AHMAD
 CIVIL
 FLA. PE # 70592
 C.A.N. 3538
 JUN 18 2014

PRODUCT REVISED
 as complying with the Florida
 Building Code
 Acceptance No 14-0731.07
 Expiration Date Dec. 13, 2016
 By Manuel Perez
 Miami Dade Product Control

date: 12-12-00
 scale: 1/2" = 1"
 dr. by: HAMID
 chk. by:

drawing no.
W00-53
 sheet 6 of 6