



DEPARTMENT OF REGULATORY AND ECONOMIC RESOURCES (RER)  
BOARD AND CODE ADMINISTRATION DIVISION

MIAMI-DADE COUNTY  
PRODUCT CONTROL SECTION  
11805 SW 26 Street, Room 208  
Miami, Florida 33175-2474  
T (786) 315-2590 F (786) 315-2599

[www.miamidade.gov/economy](http://www.miamidade.gov/economy)

**NOTICE OF ACCEPTANCE (NOA)**

Curbs Plus, Inc.  
8767 GA Hwy  
Ringgold, GA 30736

**SCOPE:**

This NOA is being issued under the applicable rules and regulations governing the use of construction materials. The documentation submitted has been reviewed and accepted by Miami-Dade County RER- Product Control Section to be used in Miami Dade County and other areas where allowed by the Authority Having Jurisdiction (AHJ).

This NOA shall not be valid after the expiration date stated below. The Miami-Dade County Product Control Section (In Miami Dade County) and/or the AHJ (in areas other than Miami Dade County) reserve the right to have this product or material tested for quality assurance purposes. If this product or material fails to perform in the accepted manner, the manufacturer will incur the expense of such testing and the AHJ may immediately revoke, modify, or suspend the use of such product or material within their jurisdiction. RER reserves the right to revoke this acceptance, if it is determined by Miami-Dade County Product Control Section that this product or material fails to meet the requirements of the applicable building code.

This product is approved as described herein, and has been designed to comply with the High Velocity Hurricane Zone of the Florida Building Code.

**DESCRIPTION: Steel Roof-Curb for Trane Series Rooftop Units**

**APPROVAL DOCUMENT:** Drawing No. TR-001 through TR-010, titled "Curbs Plus Inc. Roof Curb", sheets 1 through 5 of 5 each, prepared by Curbs Plus, Inc., dated December 22, 2015, last revision dated April 12, 2016, signed and sealed by Gregory P. Grayson, P.E., bearing the Miami-Dade County Product Control approval stamp with the Notice of Acceptance number & the approval date by the Miami-Dade County Product Control Section.

**MISSILE IMPACT RATING: None**

**LABELING:** Each roof-curb shall bear a permanent label with the manufacturer's name or logo, city, state and the following statement: "Miami-Dade County Product Control Approved", unless otherwise noted herein.

**RENEWAL** of this NOA shall be considered after a renewal application has been filed and there has been no change in the applicable building code negatively affecting the performance of this product.

**TERMINATION** of this NOA will occur after the expiration date or if there has been a revision or change in the materials, use, and/or manufacture of the product or process. Misuse of this NOA as an endorsement of any product, for sales, advertising or any other purposes shall automatically terminate this NOA. Failure to comply with any section of this NOA shall be cause for termination and removal of NOA.

**ADVERTISEMENT:** The NOA number preceded by the words Miami-Dade County, Florida, and followed by the expiration date may be displayed in advertising literature. If any portion of the NOA is displayed, then it shall be done in its entirety.

**INSPECTION:** A copy of this entire NOA shall be provided to the user by the manufacturer or its distributors and shall be available for inspection at the job site at the request of the Building Official.

This NOA consists of this page 1, evidence submitted page E-1 as well as approval document mentioned above. The submitted documentation was reviewed by **Helmy A. Makar, P.E., M.S.**



*Helmy A. Makar*  
06/30/2016

NOA No. 14-0731.13  
Expiration Date: 06/30/2021  
Approval Date: 06/30/2016

**Curbs Plus, Inc.**

**NOTICE OF ACCEPTANCE: EVIDENCE SUBMITTED**

**A. DRAWINGS**

1. *Drawing No. TR-001 through TR-010, titled "Curbs Plus Inc. Roof Curb", sheets 1 through 5 of 5 each, prepared by Curbs Plus, Inc., dated December 22, 2015, last revision dated April 12, 2016, signed and sealed by Gregory P. Grayson, P.E.*

**B. TESTS**

1. *None.*

**C. CALCULATIONS**

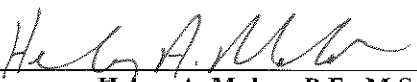
1. *Calculation titled " Wind Load Calculation ", dated February 2014, revised on April 11, 2016, 150 sheets, signed and sealed by Gregory P. Grayson, P.E. on May 18, 2016.*

**D. QUALITY ASSURANCE**

1. *By Miami-Dade County Department of Regulatory and Economic Resources.*

**E. MATERIAL CERTIFICATIONS**

1. *None.*

  
\_\_\_\_\_

**Helmy A. Makar, P.E., M.S.**  
**Product Control Section Supervisor**  
**NOA No. 14-0731.13**  
**Expiration Date: 06/30/2021**  
**Approval Date: 06/30/2016**

THE CURBS AND ATTACHMENT SCHEDULE SHOWN IN THESE DRAWINGS ARE APPLICABLE TO TRANE UNITS 2,4T,W,YC\*\*018-036  
 MODELS: 22-1780-13,22-1782-13,22-1784-13,22-1789-18,22-1796-14,22-1797-14,  
 22-1799-18,22-1807-07,22-1808-11,22-1815-08

# CURBS PLUS, INC.

8767 Alabama Hwy  
 Ringgold, GA 30736  
 Phone: (706) 858-1188  
 Fax: (706) 866-2339  
 website: www.curbs-plus.com

DWG. NO.: TR-001

DATE: 12-22-15

NUMBER: 1 OF 10

PRODUCT NAME:

TRANE 2,4 T,W,YC\*\*018-036A,B

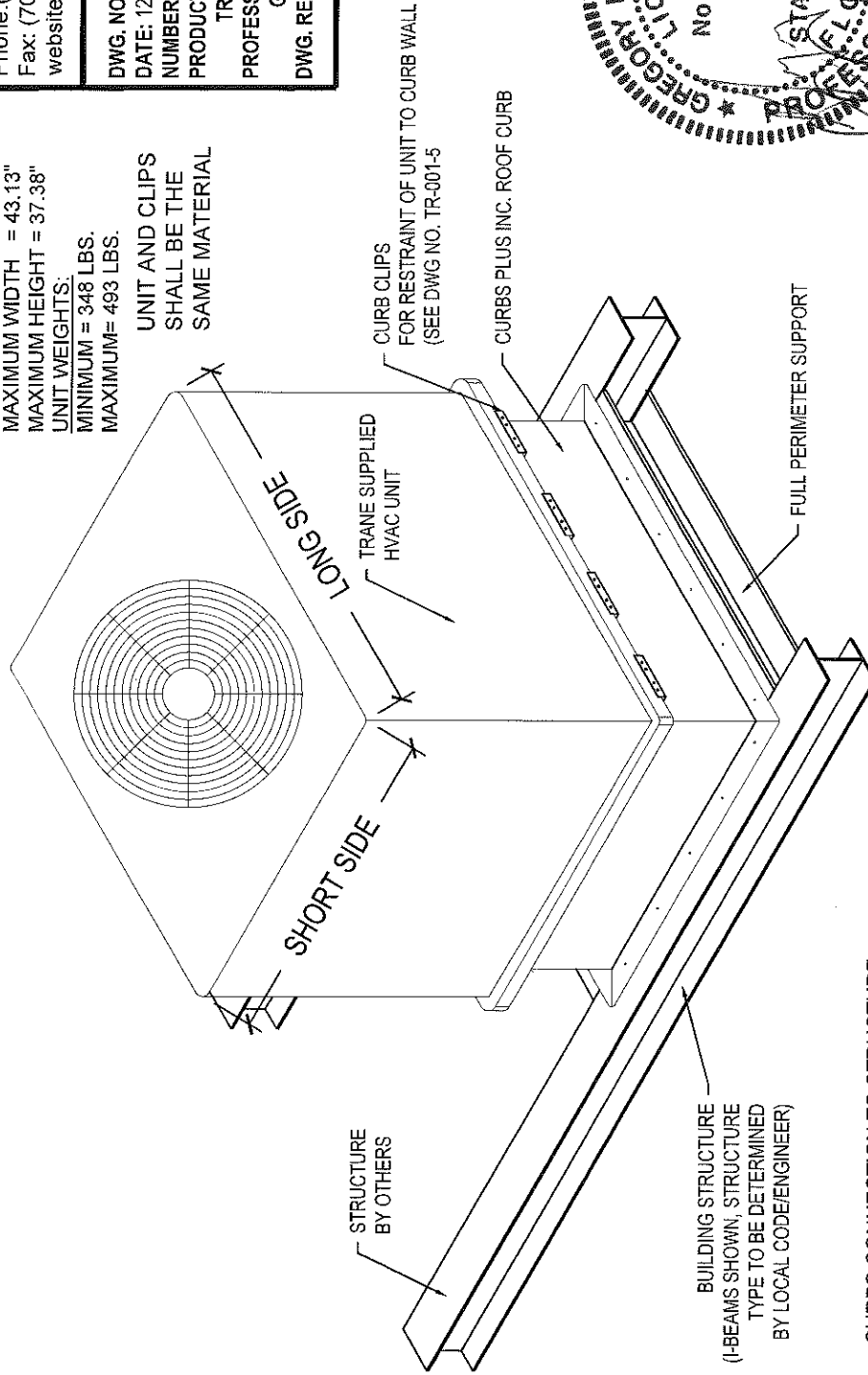
PROFESSIONAL ENGINEER:

GREGORY P. GRAYSON

DWG. REV. DATE: 4-12-16

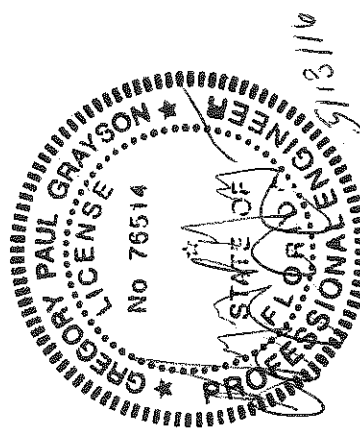
TRANE: 2,4T,W,YC\*\* 018-036  
 MAX. UNIT SIZE:  
 MAXIMUM LENGTH= 50.63"  
 MAXIMUM WIDTH = 43.13"  
 MAXIMUM HEIGHT = 37.38"  
 UNIT WEIGHTS:  
 MINIMUM = 348 LBS.  
 MAXIMUM= 493 LBS.

UNIT AND CLIPS  
 SHALL BE THE  
 SAME MATERIAL



### CURBS CONNECTION TO STRUCTURE

1. WELDS: 1" WELDS AT SHORT SIDE -18" O.C., 1" WELDS AT LONG SIDE - 3" O.C.
2. SCREWS TO DECK: #12 TEK SCREWS @ 3/4" AROUND PERIMETER (DECK IS 22 GA MINIMUM)
3. SCREWS TO STRUCTURAL STEEL: #12 TEK SCREWS AROUND PERIMETER @ 3 1/2" O.C. (STRUCTURE IS 3/16" MIN)
4. DRIVE PINS IN LW CONCRETE: 3/8" DIA. DRIVE PINS W/1" EMBEDMENT @ 2 1/2" O.C. AROUND PERIMETER (MIN. 3000 PSI STRUCTURAL LIGHTWEIGHT CONCRETE)



# CURBS PLUS, INC.

8767 Alabama Hwy  
 Ringgold, GA 30736  
 Phone: (706) 858-1188  
 Fax: (706) 866-2339  
 website: www.curbs-plus.com

DWG. NO.: TR-001-2

DATE: 12-22-15

NUMBER: 1 OF 10

PRODUCT NAME:

TRANE 2,4 T,W,YCC\* 018-036A,B

PROFESSIONAL ENGINEER:

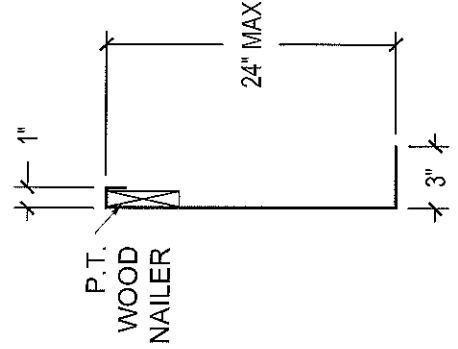
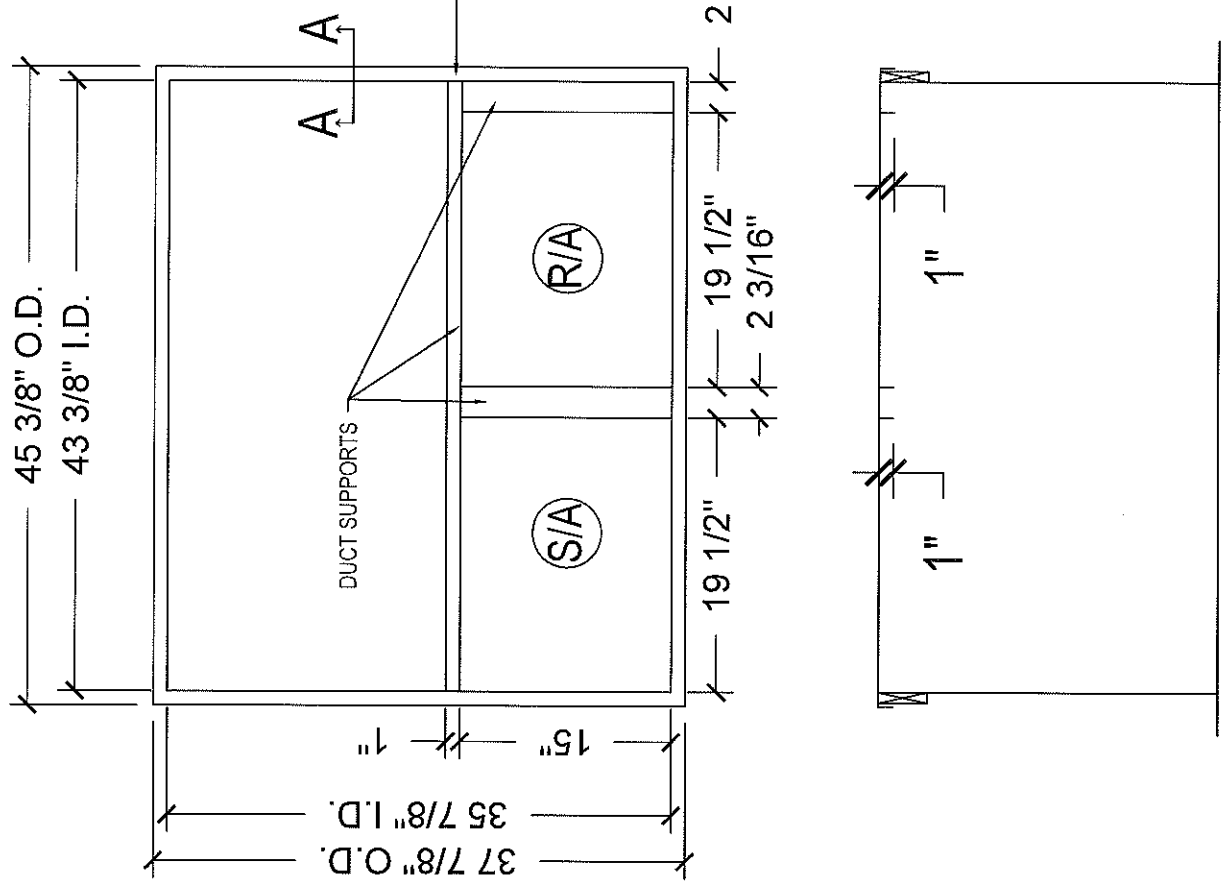
GREGORY P. GRAYSON

DWG. REV. DATE: 4-12-16

## CPC-4 (Uninsulated) Conventional Roof Curb

### STANDARD FEATURES

1. 18 Ga. Galvanized Steel Construction (.05" MIN).
2. Fully Welded One-Piece Construction
3. Curbs Prime Painted after Fabrication.
4. Pressure-Treated 1x4 Wood Nailers.
5. No Insulation.

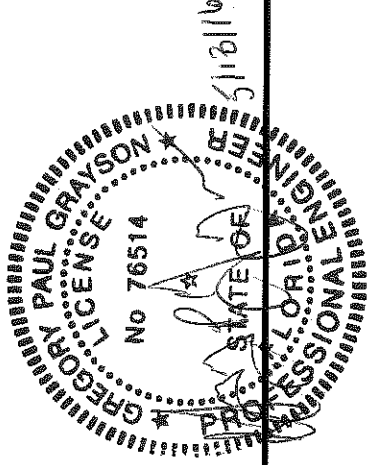


TYPICAL SECTION AA

DUCT SUPPORT DETAIL

DUCT SUPPORTS CONSTRUCTED FROM 18 GA GALVANIZED STEEL

WELD 1\"X1\" ANGLES TO CURB WALL ON 24\" CENTERS



# CURBS PLUS, INC.

8767 Alabama Hwy  
Ringgold, GA 30736  
Phone: (706) 858-1188  
Fax: (706) 866-2339  
website: www.curbs-plus.com

DWG. NO.: TR-001-3

DATE: 12-22-15

NUMBER: 1 OF 10

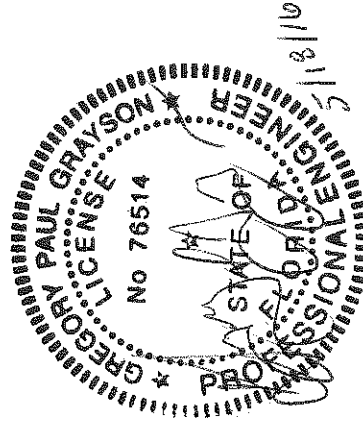
PRODUCT NAME:

TRANE 2.4 T.W. YCC\* 018-036A, B

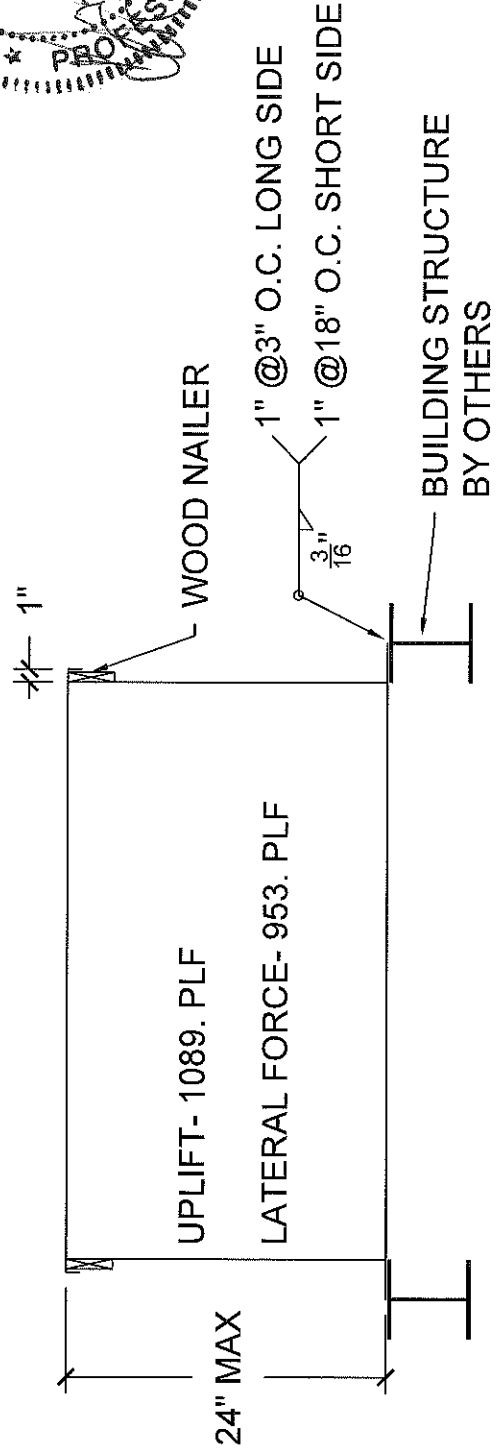
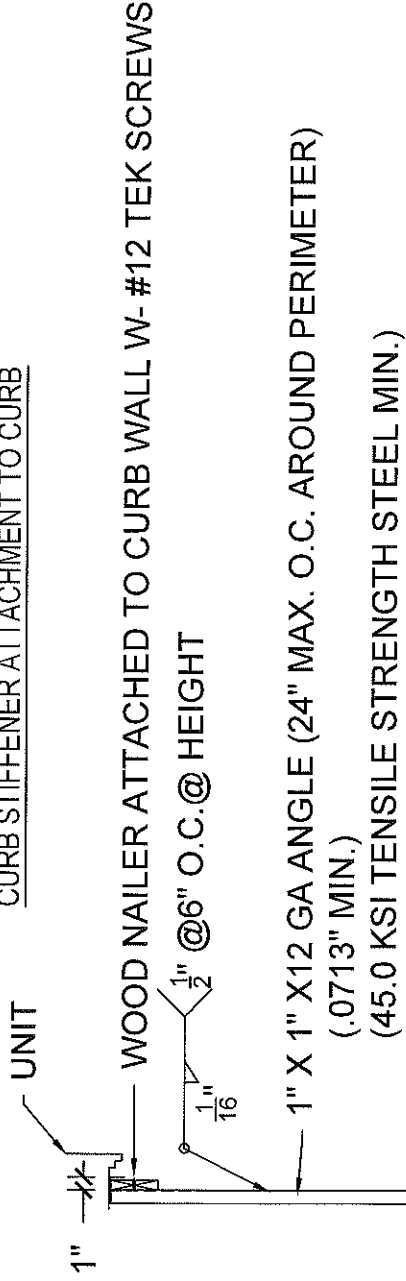
PROFESSIONAL ENGINEER:

GREGORY P. GRAYSON

DWG. REV. DATE: 4-12-16



## CURB STIFFENER ATTACHMENT TO CURB



# CURBS PLUS, INC.

8767 Alabama Hwy  
 Ringgold, GA 30736  
 Phone: (706) 858-1188  
 Fax: (706) 866-2339  
 website: www.curbs-plus.com

DWG. NO.: TR-001-4

DATE: 12-22-15

NUMBER: 1 OF 10

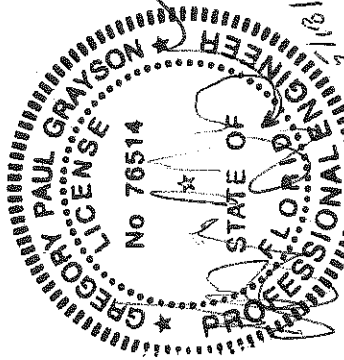
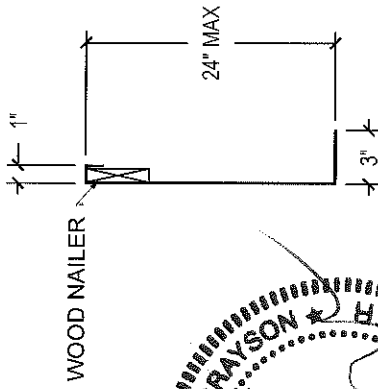
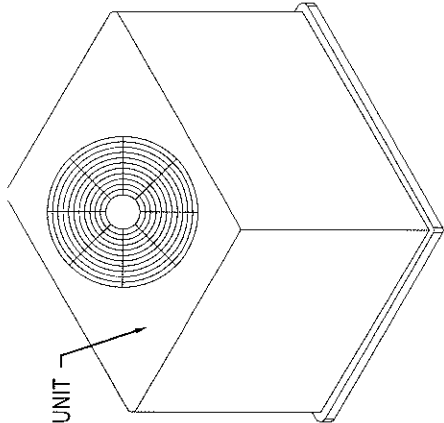
PRODUCT NAME:

TRANE 2,4 T,W,YCC\* 018-036A,B

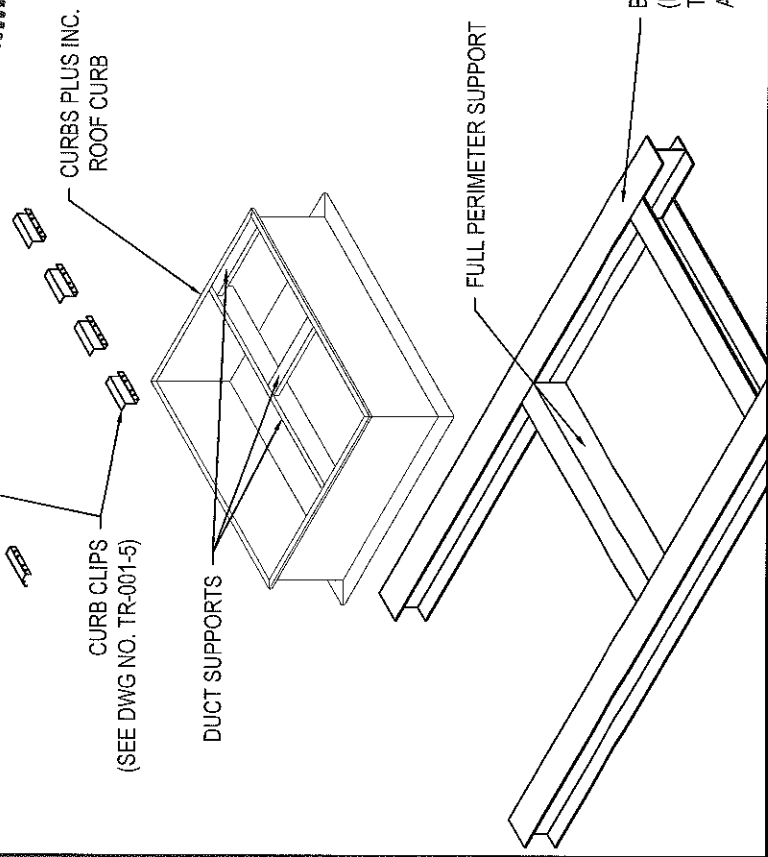
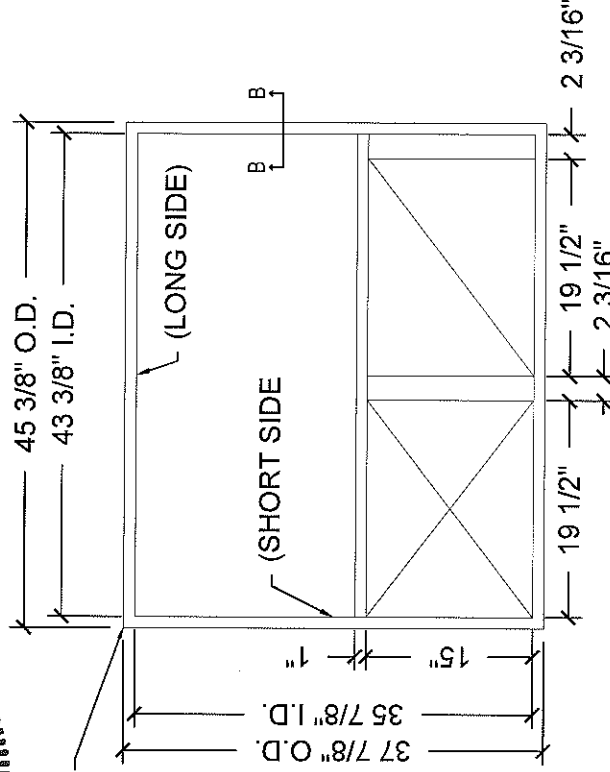
PROFESSIONAL ENGINEER:

GREGORY P. GRAYSON

DWG. REV. DATE: 4-12-16



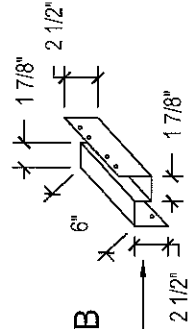
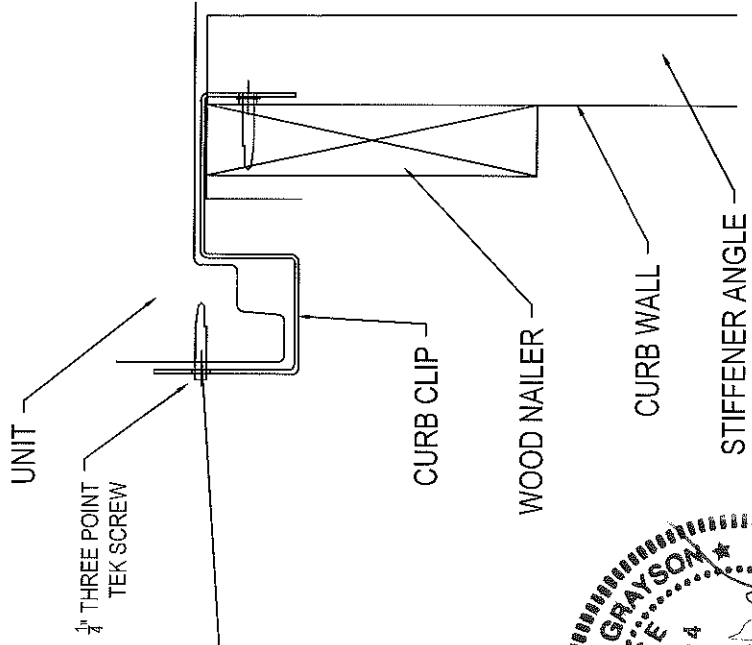
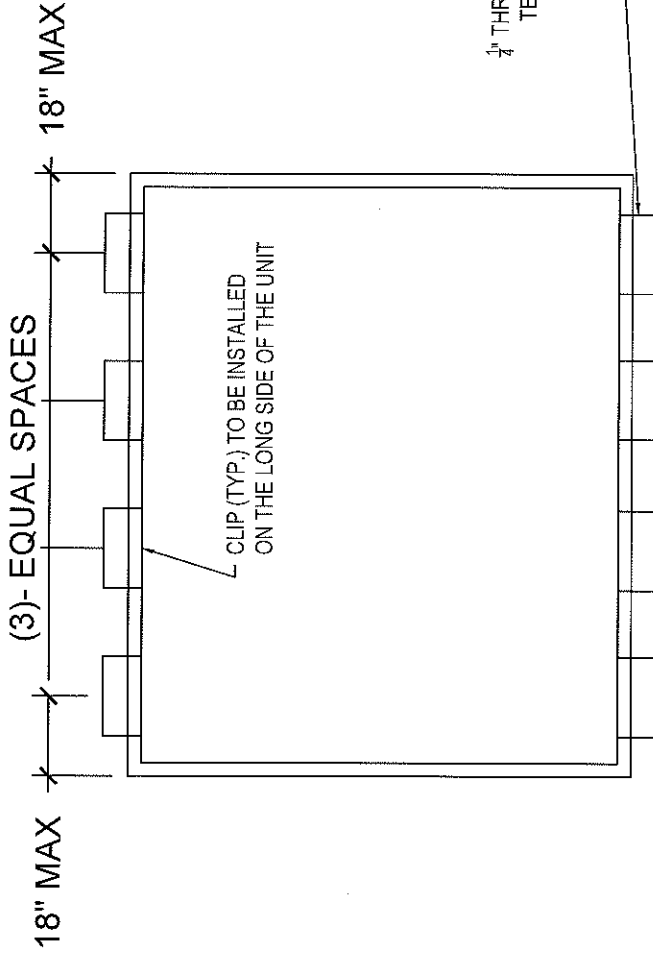
TYPICAL SECTION BB



**CURBS PLUS, INC.**

8767 Alabama Hwy  
Ringgold, GA 30736  
Phone: (706) 858-1188  
Fax: (706) 866-2339  
website: www.curbs-plus.com

DWG. NO.: TR-001-5  
DATE: 12-22-15  
NUMBER: 1 OF 10  
PRODUCT NAME:  
TRANE 2.4 T.W.YCC\* 018-036A,B  
PROFESSIONAL ENGINEER:  
GREGORY P. GRAYSON  
DWG. REV. DATE: 4-12-16



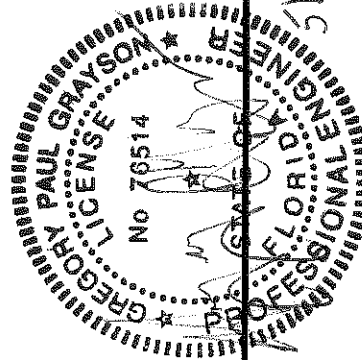
(8)- CURB CLIPS MIN. PER CURB

TYPICAL CURB CLIP

CURB CLIP TO BE 12 GA STEEL CONSTRUCTION (.1017\"/>

LENGTH= 6\"/>

STEEL= 45.0 KSI (MIN.) TENSILE STRENGTH



THE CURBS AND ATTACHMENT SCHEDULE SHOWN IN THESE DRAWINGS ARE APPLICABLE TO TRANE UNITS 2,4T,W,YC\*\*042-060 MODELS: 22-1780-13,22-1782-13,22-1789-18,22-1796-14,22-1797-14, 22-1799-18,22-1807-07,22-1808-11,22-1815-08

# CURBS PLUS, INC.

8767 Alabama Hwy  
Ringgold, GA 30736  
Phone: (706) 858-1188  
Fax: (706) 866-2339  
website: www.curbs-plus.com

DWG. NO.: TR-002-1

DATE: 12-22-15

NUMBER: 2 OF 10

PRODUCT NAME:

TRANE 2,4 T,W,YC\* 042-060A,B

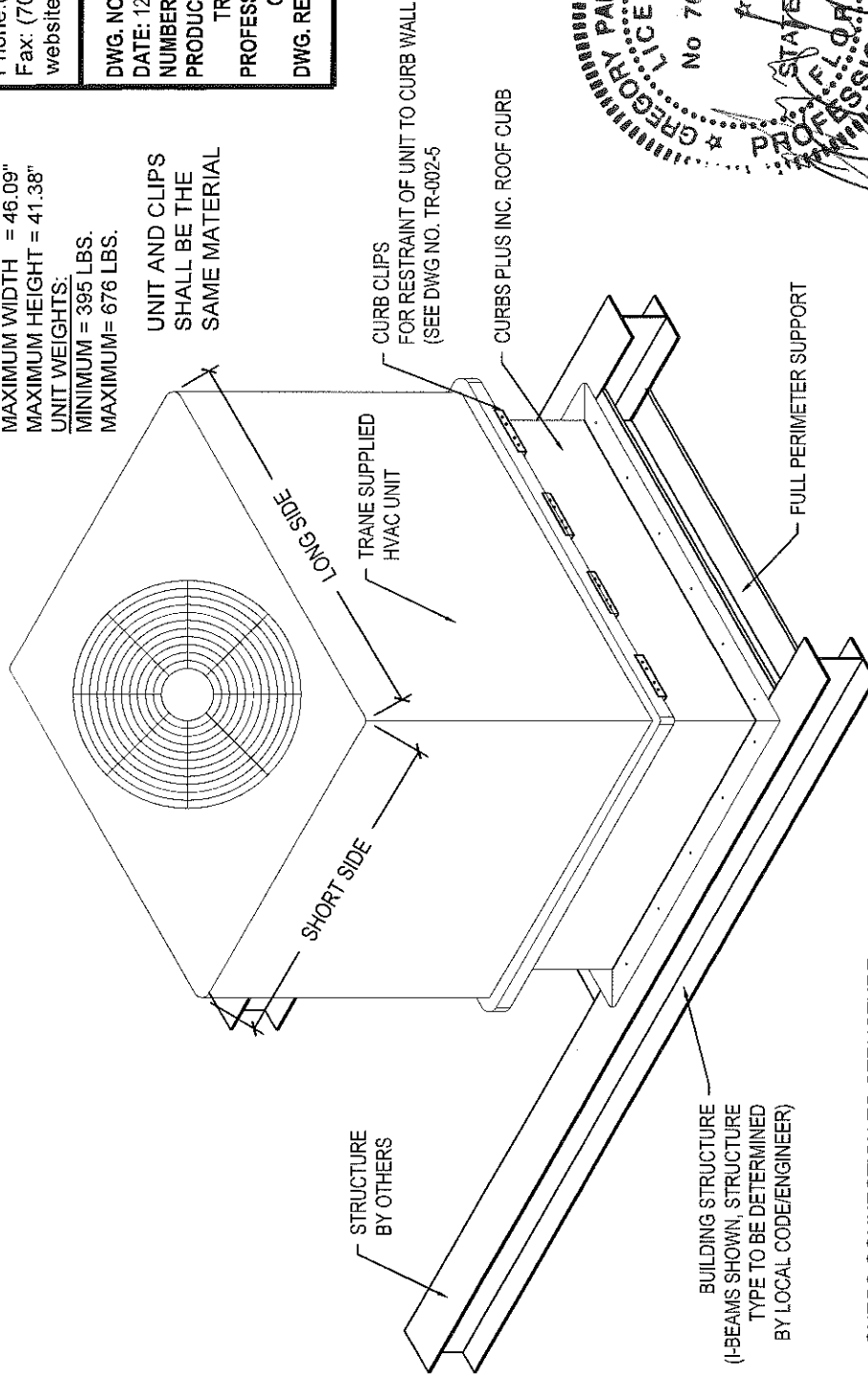
PROFESSIONAL ENGINEER:

GREGORY P. GRAYSON

DWG. REV. DATE: 4-12-16

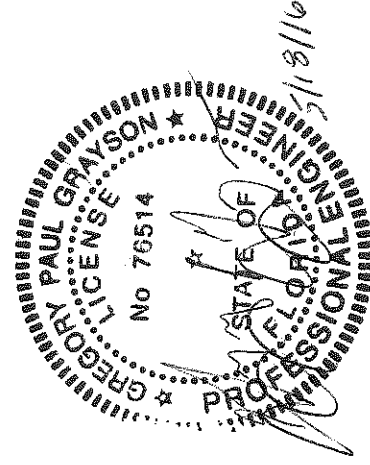
TRANE: 2,4T,W,YC\*\* 042-060  
MAX. UNIT SIZE:  
MAXIMUM LENGTH= 60.31"  
MAXIMUM WIDTH = 46.09"  
MAXIMUM HEIGHT = 41.38"  
UNIT WEIGHTS:  
MINIMUM = 395 LBS.  
MAXIMUM= 676 LBS.

UNIT AND CLIPS SHALL BE THE SAME MATERIAL



**CURBS CONNECTION TO STRUCTURE**

1. WELDS: 1" WELDS AT SHORT SIDE -18" O.C., 1" WELDS AT LONG SIDE - 3" O.C.
2. SCREWS TO DECK: #12 TEK SCREWS @ 3/4" AROUND PERIMETER ( DECK IS 22 GA MINIMUM)
3. SCREWS TO STRUCTURAL STEEL: #12 TEK SCREWS AROUND PERIMETER @ 3 1/2" O.C. (STRUCTURE IS 3/16" MIN)
4. DRIVE PINS IN LW CONCRETE: 3/4" DIA. DRIVE PINS W/1" EMBEDMENT @ 2 1/2" O.C. AROUND PERIMETER (MIN. 3000 PSI STRUCTURAL LIGHTWEIGHT CONCRETE)





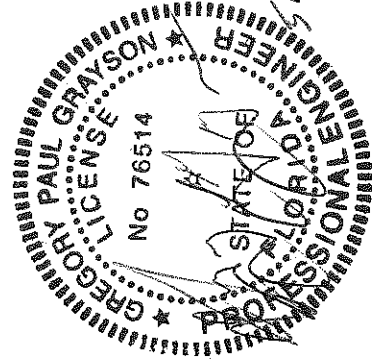
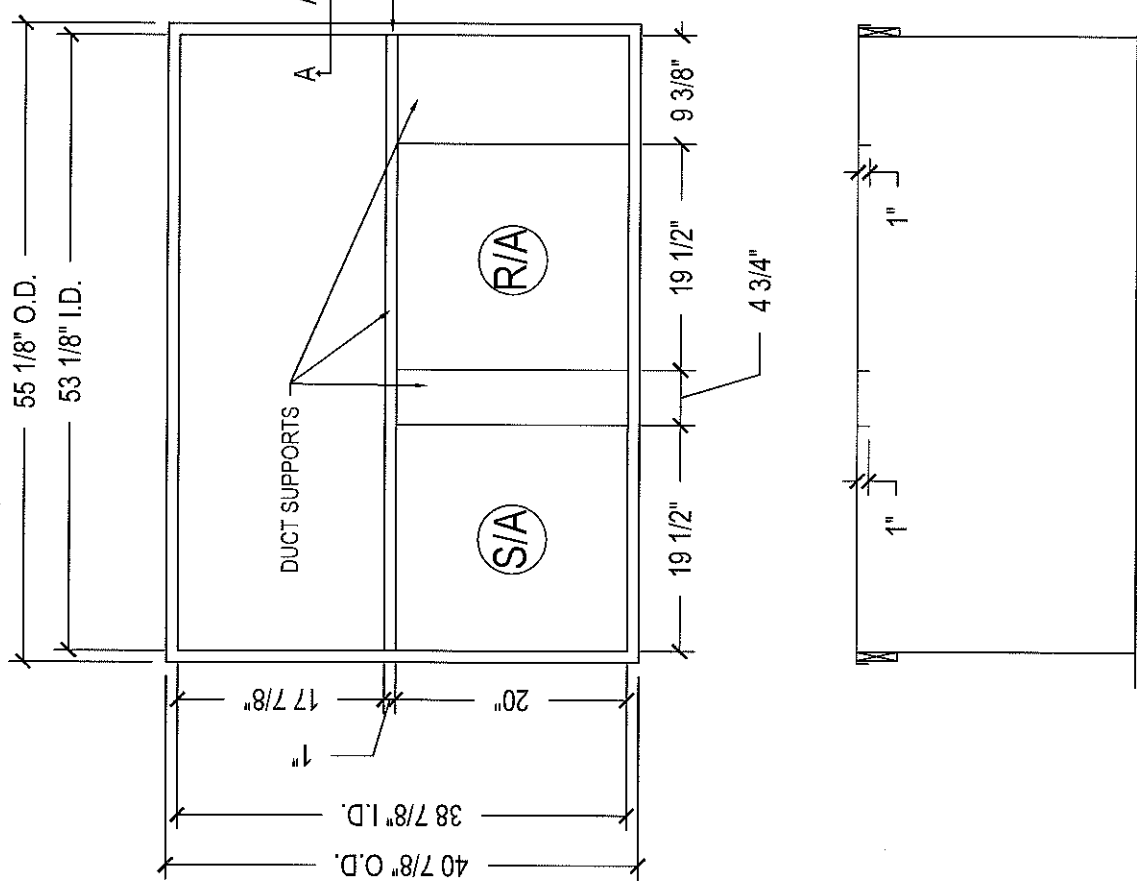
# CURBS PLUS, INC.

8767 Alabama Hwy  
 Ringgold, GA 30736  
 Phone: (706) 858-1188  
 Fax: (706) 866-2339  
 website: www.curbs-plus.com

DWG. NO.: TR-002-2  
 DATE: 12-22-15  
 NUMBER: 2 OF 10  
 PRODUCT NAME:  
 TRANE 2.4 T.W.YCC\* 042-060A,B  
 PROFESSIONAL ENGINEER:  
 GREGORY P. GRAYSON  
 DWG. REV. DATE: 4-12-16

## CPC-4 (Uninsulated) Conventional Roof Curb STANDARD FEATURES

1. 14 Ga. Galvanized Steel Construction (0.078125" MIN).
2. Fully Welded One-Piece Construction
3. Curbs Prime Painted after Fabrication.
4. Pressure-Treated 1x4 Wood Nailers.
5. No Insulation.



**CURBS PLUS, INC.**

8767 Alabama Hwy  
Ringgold, GA 30736  
Phone: (706) 858-1188  
Fax: (706) 866-2339  
website: www.curbs-plus.com

DWG. NO.: TR-002-3

DATE: 12-22-15

NUMBER: 2 OF 10

PRODUCT NAME:

TRANE 2,4 T,W,YCC\* 042-060A,B

PROFESSIONAL ENGINEER:

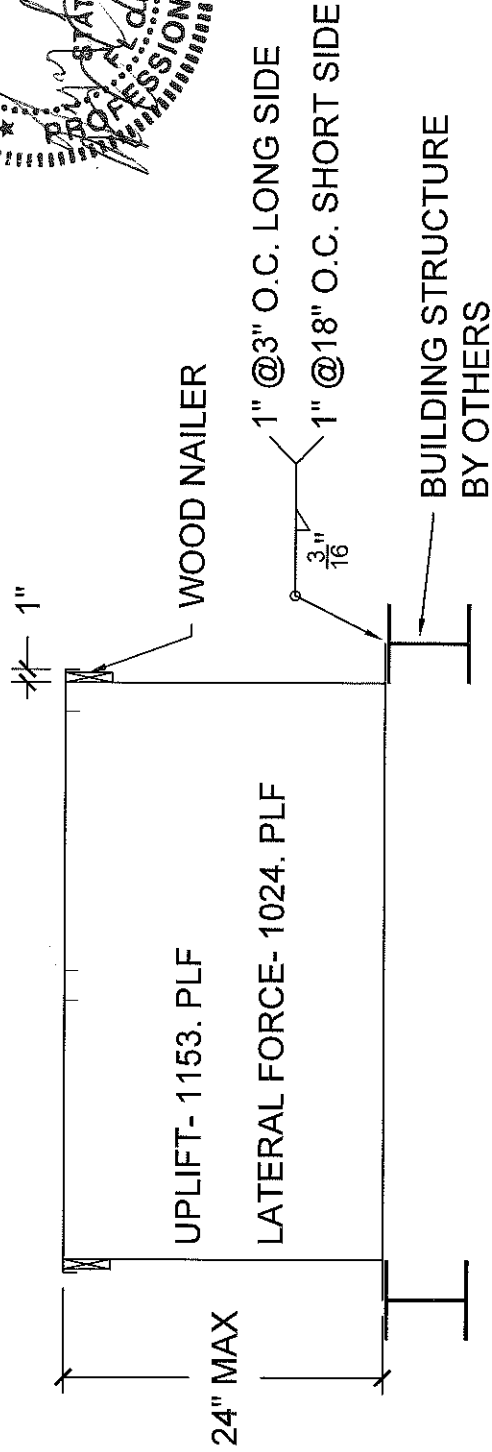
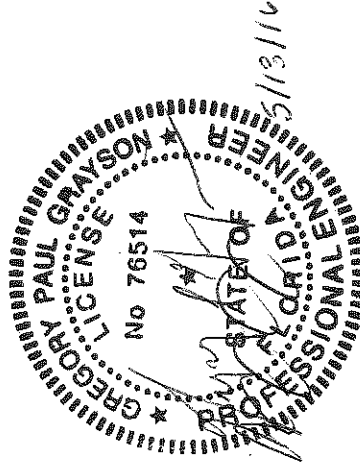
GREGORY P. GRAYSON

DWG. REV. DATE: 4-12-16

CURB STIFFENER ATTACHMENT TO CURB



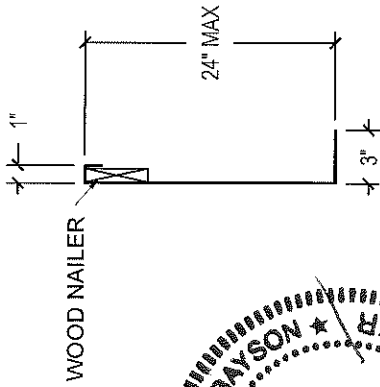
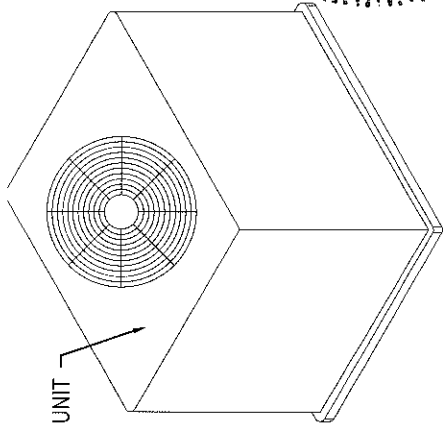
(45.0 KSI TENSILE STRENGTH STEEL MIN.)



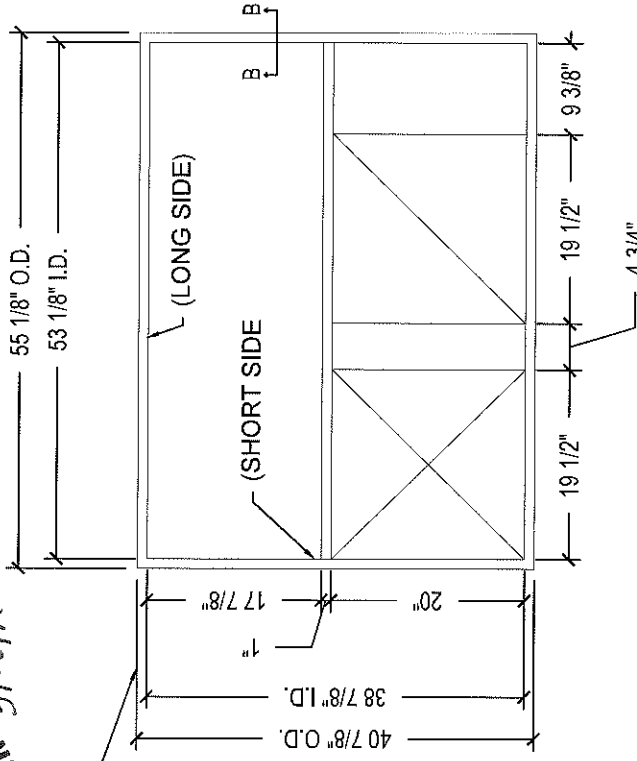
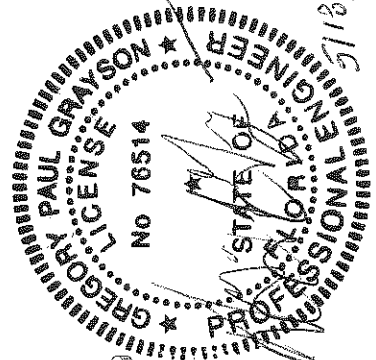
**CURBS PLUS, INC.**

8767 Alabama Hwy  
 Ringgold, GA 30736  
 Phone: (706) 858-1188  
 Fax: (706) 866-2339  
 website: www.curbs-plus.com

DWG. NO.: TR-002-4  
 DATE: 12-22-15  
 NUMBER: 2 OF 10  
 PRODUCT NAME:  
 TRANE 2.4 T.W.YCC\* 042-060A,B  
 PROFESSIONAL ENGINEER:  
 GREGORY P. GRAYSON  
 DWG. REV. DATE: 4-12-16



TYPICAL SECTION BB



CURBS PLUS INC.  
 ROOF CURB

CURB CLIPS  
 (SEE DWG NO. TR-002-5)

DUCT SUPPORTS

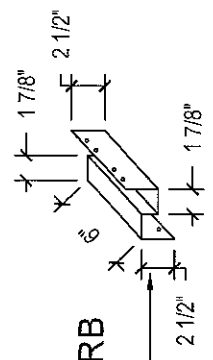
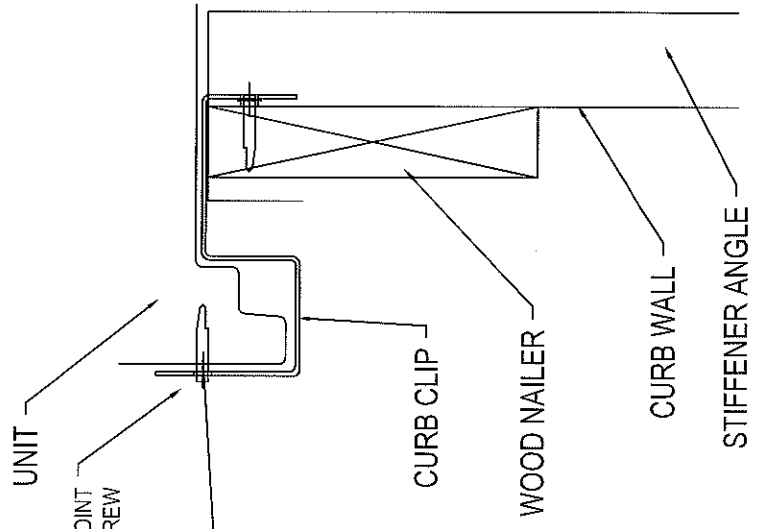
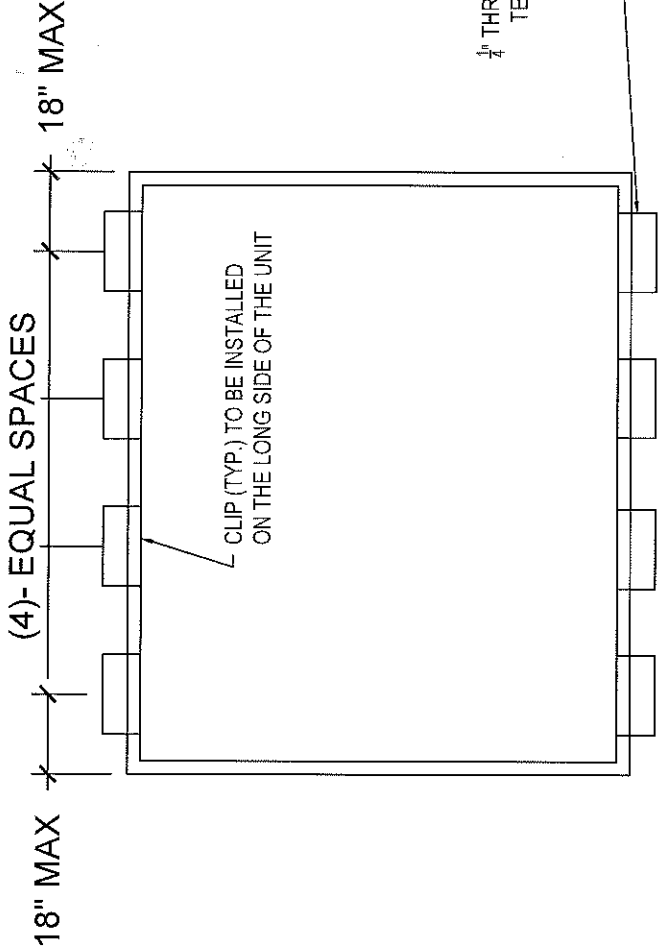
FULL PERIMETER SUPPORT

BUILDING STRUCTURE  
 (I-BEAMS SHOWN; STRUCTURE TYPE  
 TO BE DETERMINED BY LOCAL CODE/ENGINEER  
 AND TO BE PROVIDED BY OTHERS)

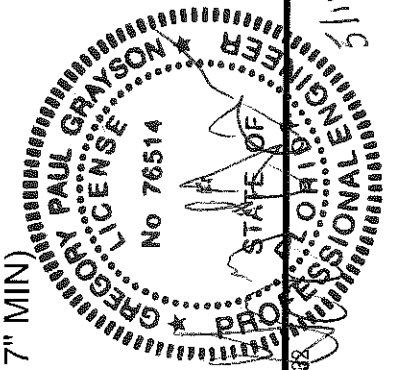
**CURBS PLUS, INC.**

8767 Alabama Hwy  
 Ringgold, GA 30736  
 Phone: (706) 858-1188  
 Fax: (706) 866-2339  
 website: www.curbs-plus.com

DWG. NO.: TR-002-5  
 DATE: 12-22-15  
 NUMBER: 2 OF 10  
 PRODUCT NAME:  
 TRANE 2,4 T,W,YCC\* 042-060A,B  
 PROFESSIONAL ENGINEER:  
 GREGORY P. GRAYSON  
 DWG. REV. DATE: 4-12-16



(10)- CURB CLIPS MIN. PER CURB  
 TYPICAL CURB CLIP  
 CURB CLIP TO BE 12 GA STEEL CONSTRUCTION (.1017\"/>

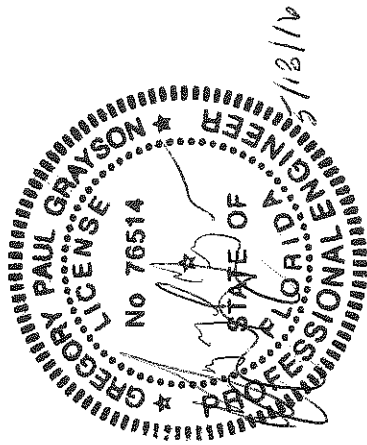


# CURBS PLUS, INC.

8767 Alabama Hwy  
 Ringgold, GA 30736  
 Phone: (706) 858-1188  
 Fax: (706) 866-2339  
 website: www.curbs-plus.com

DWG. NO.: TR-003-1  
 DATE: 12-22-15  
 NUMBER: 3 OF 10  
 PRODUCT NAME:

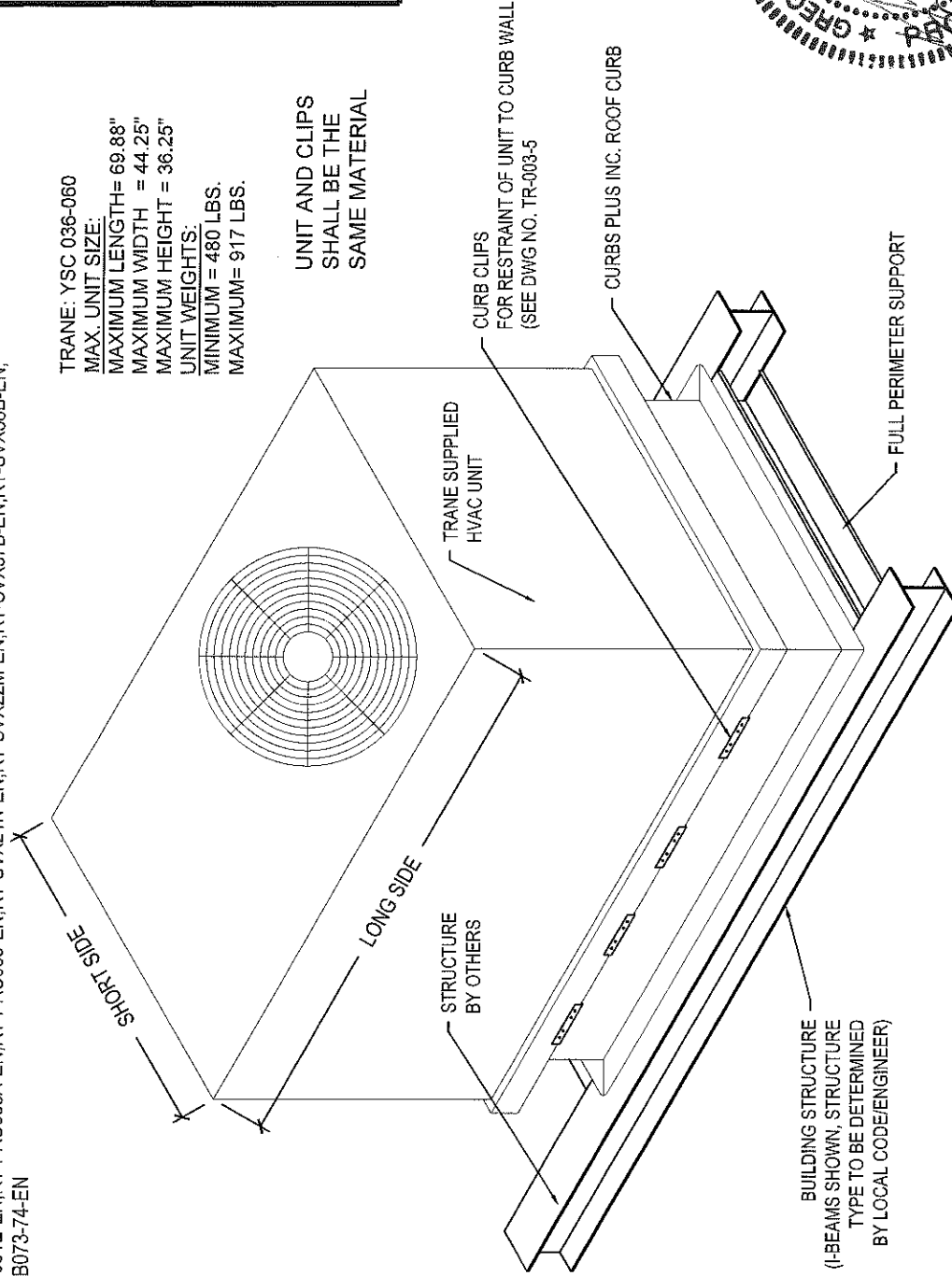
TRANE YSC 036-060  
 PROFESSIONAL ENGINEER:  
 GREGORY P. GRAYSON  
 DWG. REV. DATE: 4-12-16



THE CURBS AND ATTACHMENT SCHEDULE SHOWN IN THESE DRAWINGS ARE APPLICABLE TO TRANE UNITS YSC 036-060  
 MODELS: PKGB-PRC013G-EN, RT-PRC023AF-EN, RT-PRC037T-EN, RT-PRC048G-EN, RT-PRC050E-EN, RT-PRC051E-EN, RT-PRC053A-EN, RT-PRC059-EN, RT-SVX21N-EN, RT-SVX22M-EN, RT-SVX37B-EN, RT-SVX38B-EN, SRV-SLB073-74-EN

TRANE: YSC 036-060  
 MAX. UNIT SIZE:  
 MAXIMUM LENGTH = 69.88"  
 MAXIMUM WIDTH = 44.25"  
 MAXIMUM HEIGHT = 36.25"  
 UNIT WEIGHTS:  
 MINIMUM = 480 LBS.  
 MAXIMUM = 917 LBS.

UNIT AND CLIPS SHALL BE THE SAME MATERIAL



- CURBS CONNECTION TO STRUCTURE
1. WELDS: 1" WELDS AT SHORT SIDE -18" O.C., 1" WELDS AT LONG SIDE - 3" O.C.
  2. SCREWS TO DECK: #12 TEK SCREWS @ 3" AROUND PERIMETER ( DECK IS 22 GA MINIMUM)
  3. SCREWS TO STRUCTURAL STEEL: #12 TEK SCREWS AROUND PERIMETER @ 3" O.C. (STRUCTURE IS 3/8" MIN)
  4. DRIVE PINS IN LW CONCRETE: 3/8" DIA. DRIVE PINS W/1" EMBEDMENT @ 2 1/2" O.C. AROUND PERIMETER (MIN. 3000 PSI STRUCTURAL LIGHTWEIGHT CONCRETE)

# CURBS PLUS, INC.

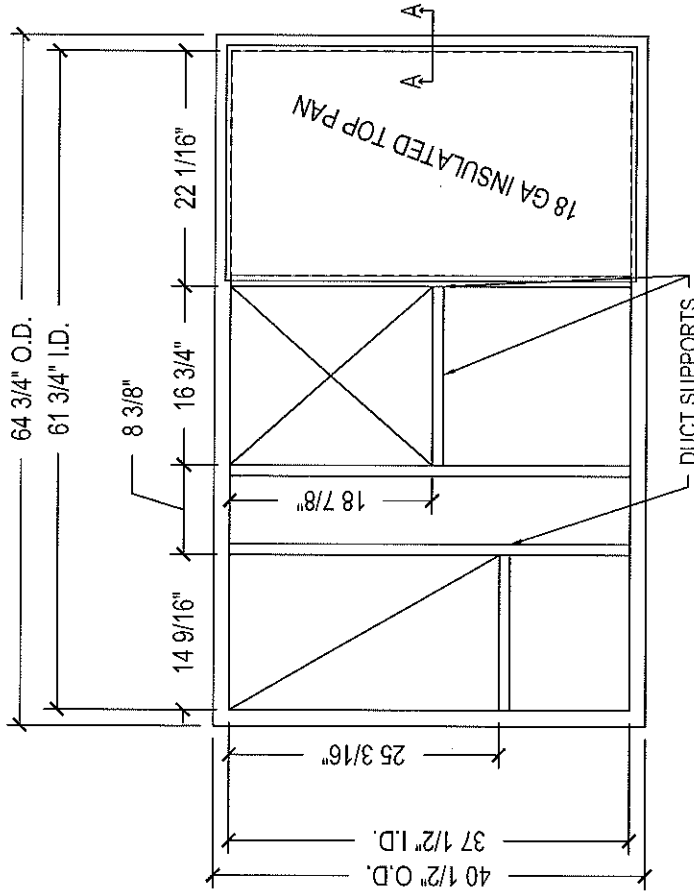
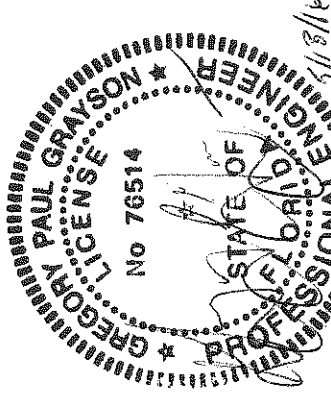
8767 Alabama Hwy  
 Ringgold, GA 30736  
 Phone: (706) 858-1188  
 Fax: (706) 866-2339  
 website: www.curbs-plus.com

DWG. NO.: TR-003-2  
 DATE: 12-22-15  
 NUMBER: 3 OF 10  
 PRODUCT NAME:  
 TRANE YSC 036-060  
 PROFESSIONAL ENGINEER:  
 GREGORY P. GRAYSON  
 DWG. REV. DATE: 4-12-16

## CPC-4 (Uninsulated) Conventional Roof Curb

### STANDARD FEATURES

1. 14 Ga. Galvanized Steel Construction (0.076125" MIN).
2. Fully Welded One-Piece Construction
3. Curbs Prime Painted after Fabrication.
4. Pressure-Treated 1x4 Wood Nailer.
5. No Insulation.

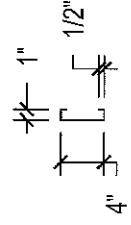


WELD 1"x1" ANGLES TO CURB WALL ON 24" CENTERS

DUCT SUPPORTS CONSTRUCTED FROM 18 GA GALVANIZED STEEL

P.T. WOOD NAILER

24" MAX



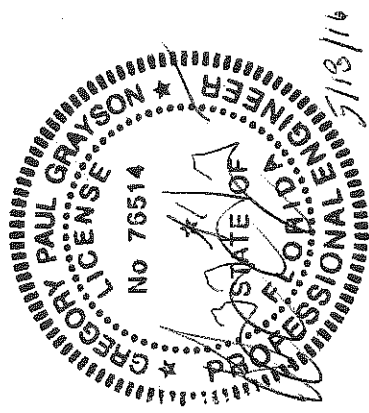
DUCT SUPPORT DETAIL

TYPICAL SECTION AA

**CURBS PLUS, INC.**

8767 Alabama Hwy  
 Ringgold, GA 30736  
 Phone: (706) 858-1188  
 Fax: (706) 866-2339  
 website: www.curbs-plus.com

DWG. NO.: TR-003-3  
 DATE: 12-22-15  
 NUMBER: 3 OF 10  
 PRODUCT NAME:  
 TRANE YSC 036-060  
 PROFESSIONAL ENGINEER:  
 GREGORY P. GRAYSON  
 DWG. REV. DATE: 4-12-16

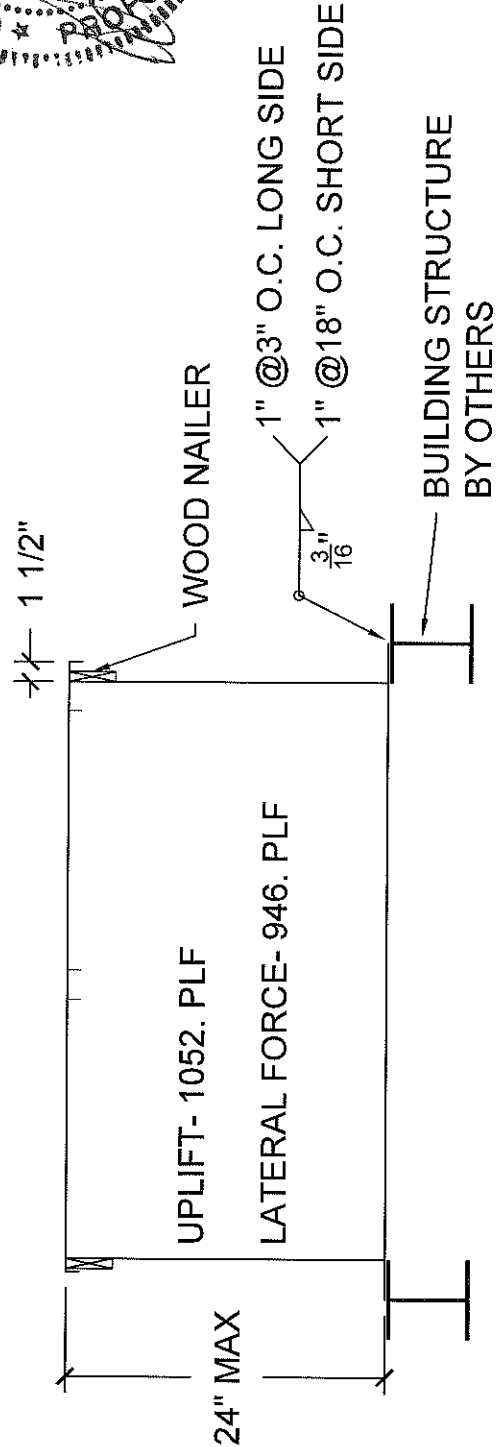


CURB STIFFENER ATTACHMENT TO CURB

UNIT

WOOD NAILER ATTACHED TO CURB WALL W- #12 TEK SCREWS  
 $\frac{1}{2}$ " @ 6" O.C. @ HEIGHT

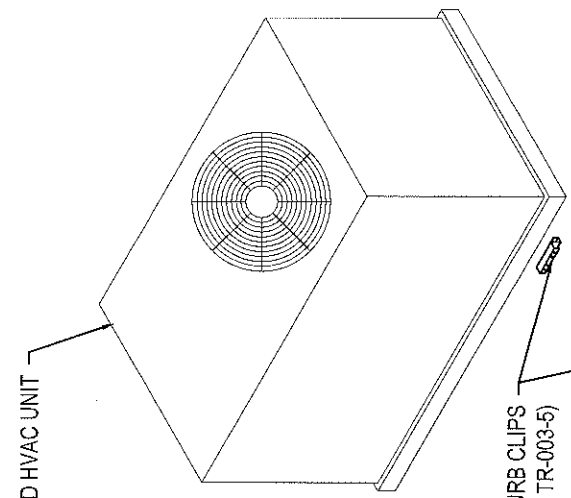
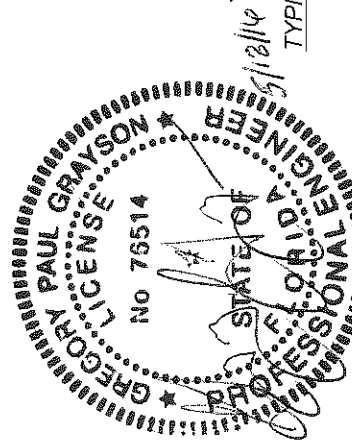
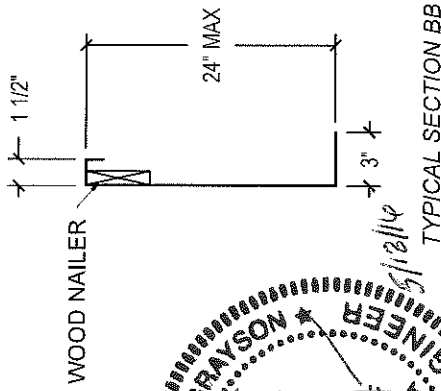
1" X 1" X12 GA ANGLE (24" MAX. O.C. AROUND PERIMETER)  
 (.0713" MIN.)  
 (45.0 KSI TENSILE STRENGTH STEEL MIN.)



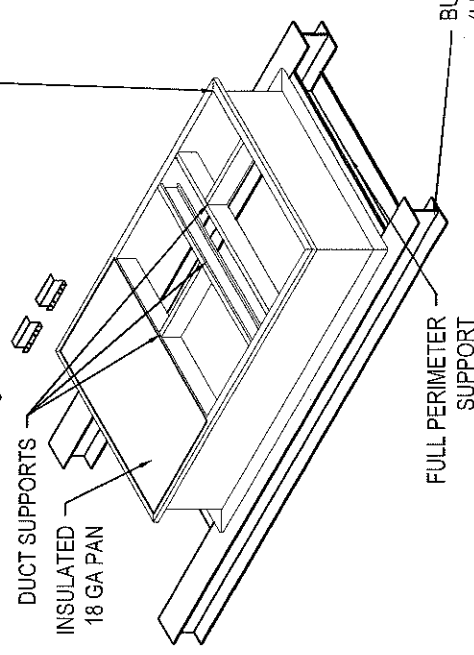
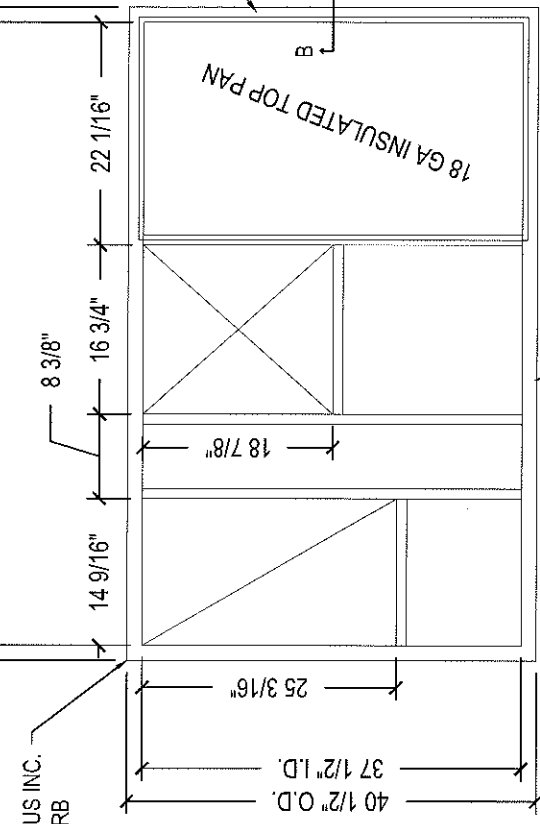
**CURBS PLUS, INC.**

8767 Alabama Hwy  
Ringgold, GA 30736  
Phone: (706) 858-1188  
Fax: (706) 866-2339  
website: www.curbs-plus.com

DWG. NO.: TR-003-4  
DATE: 12-22-15  
NUMBER: 3 OF 10  
PRODUCT NAME:  
TRANE YSC 036-060  
PROFESSIONAL ENGINEER:  
GREGORY P. GRAYSON  
DWG. REV. DATE: 4-12-16



CURB CLIPS  
(SEE DWG NO. TR-003-5)



BUILDING STRUCTURE  
(I-BEAMS SHOWN, STRUCTURE TYPE  
TO BE DETERMINED BY LOCAL CODE/ENGINEER  
AND TO BE PROVIDED BY OTHERS)



**CURBS PLUS, INC.**

8767 Alabama Hwy  
Ringgold, GA 30736  
Phone: (706) 858-1188  
Fax: (706) 866-2339  
website: www.curbs-plus.com

DWG. NO.: TR-003-5

DATE: 12-22-15

NUMBER: 3 OF 10

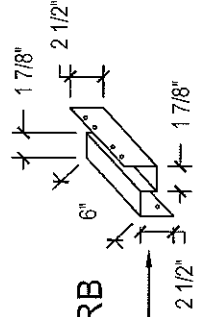
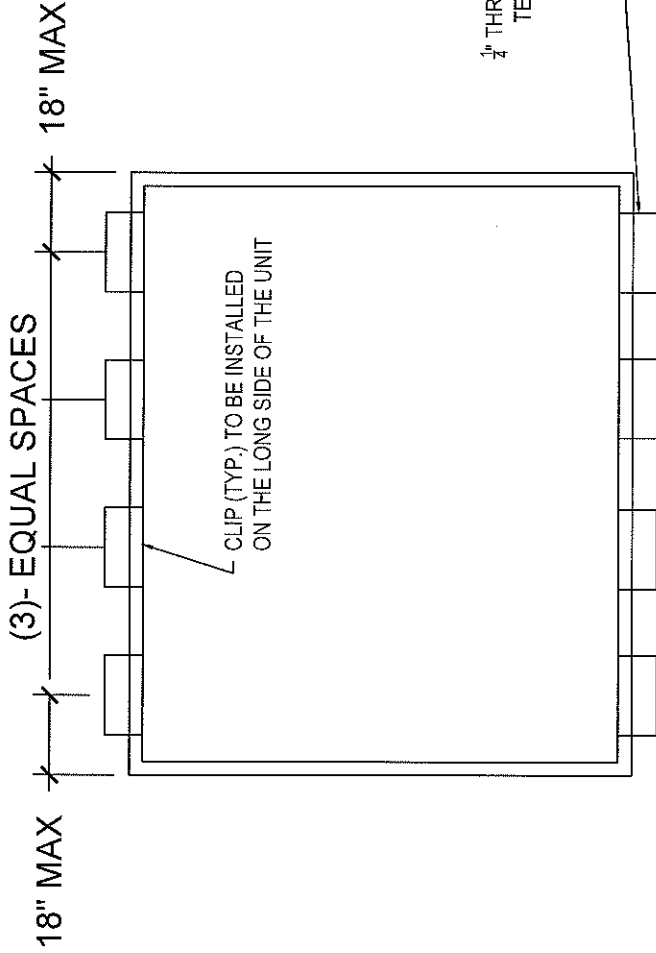
PRODUCT NAME:

TRANE YSC 036-060

PROFESSIONAL ENGINEER:

GREGORY P. GRAYSON

DWG. REV. DATE: 4-12-16



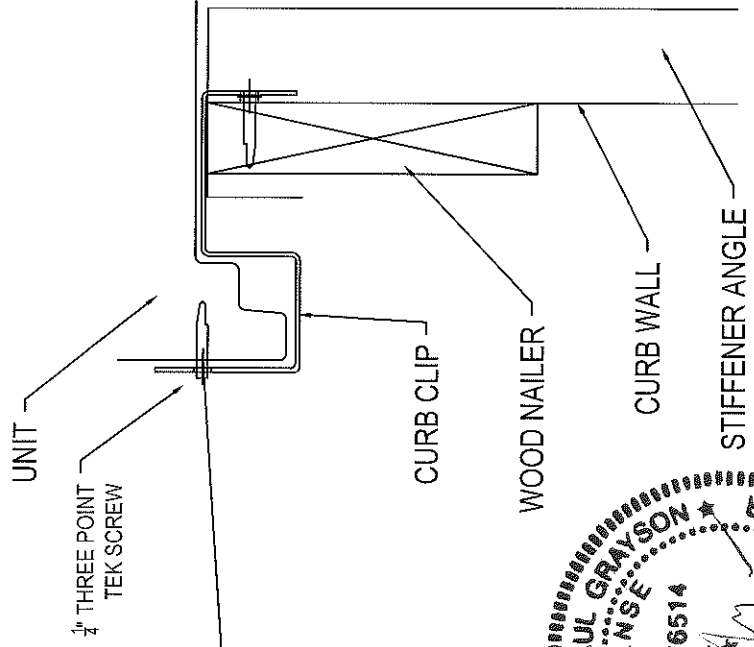
(8)- CURB CLIPS MIN. PER CURB

TYPICAL CURB CLIP

CURB CLIP TO BE 12 GA STEEL CONSTRUCTION (.1017" MIN)

LENGTH= 6"

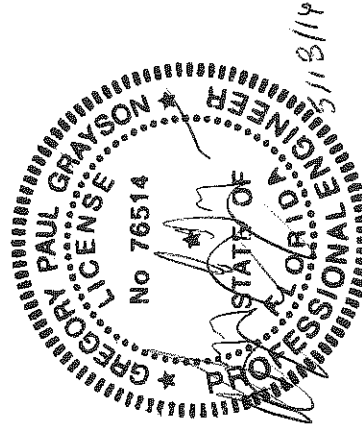
STEEL= 45.0 KSI (MIN.) TENSILE STRENGTH



# CURBS PLUS, INC.

8767 Alabama Hwy  
 Ringgold, GA 30736  
 Phone: (706) 858-1188  
 Fax: (706) 866-2339  
 website: www.curbs-plus.com

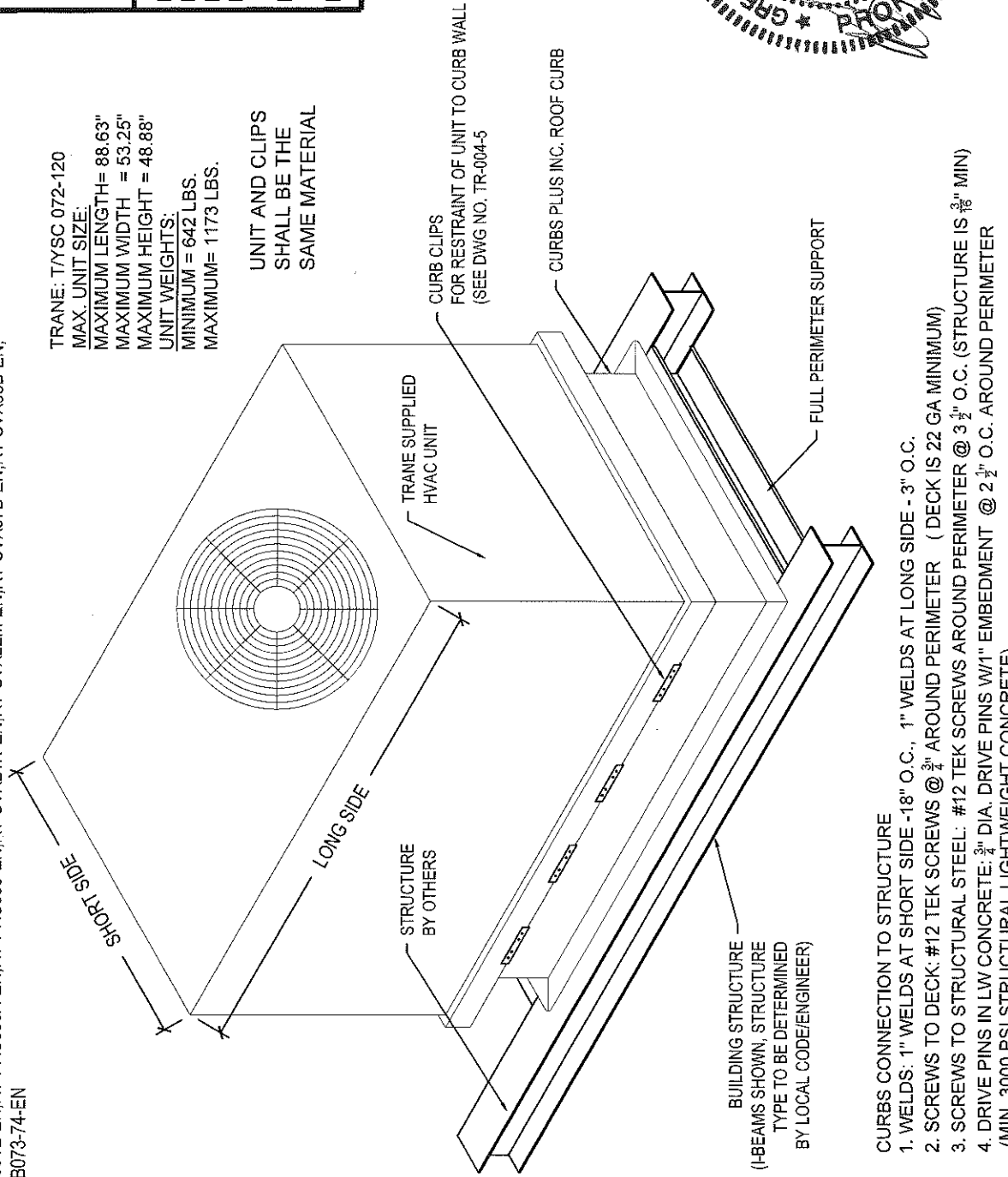
DWG. NO.: TR-004-1  
 DATE: 12-22-15  
 NUMBER: 4 OF 10  
 PRODUCT NAME:  
 TRANE T/YSO 072-120  
 PROFESSIONAL ENGINEER:  
 GREGORY P. GRAYSON  
 DWG. REV. DATE: 4-12-16



THE CURBS AND ATTACHMENT SCHEDULE SHOWN IN THESE DRAWINGS ARE APPLICABLE TO TRANE UNITS T/YSO 072-120  
 MODELS: PKGP-PRC013G-EN, RT-PRC023AF-EN, RT-PRC037T-EN, RT-PRC039-EN, RT-PRC048G-EN, RT-PRC050E-EN, RT-PRC051E-EN, RT-PRC053A-EN, RT-PRC059-EN, RT-SVX21N-EN, RT-SVX22M-EN, RT-SVX37B-EN, RT-SVX38B-EN, SRV-SLB073-74-EN

TRANE: T/YSO 072-120  
 MAX. UNIT SIZE:  
 MAXIMUM LENGTH = 88.63"  
 MAXIMUM WIDTH = 53.25"  
 MAXIMUM HEIGHT = 48.88"  
 UNIT WEIGHTS:  
 MINIMUM = 642 LBS.  
 MAXIMUM = 1173 LBS.

UNIT AND CLIPS SHALL BE THE SAME MATERIAL



- CURBS CONNECTION TO STRUCTURE**
1. WELDS: 1" WELDS AT SHORT SIDE -18" O.C., 1" WELDS AT LONG SIDE - 3" O.C.
  2. SCREWS TO DECK: #12 TEK SCREWS @ 3" AROUND PERIMETER ( DECK IS 22 GA MINIMUM)
  3. SCREWS TO STRUCTURAL STEEL: #12 TEK SCREWS AROUND PERIMETER @ 3 1/2" O.C. (STRUCTURE IS 3/8" MIN)
  4. DRIVE PINS IN LW CONCRETE: 3/4" DIA. DRIVE PINS W/1" EMBEDMENT @ 2 1/2" O.C. AROUND PERIMETER (MIN. 3000 PSI STRUCTURAL LIGHTWEIGHT CONCRETE)

# CURBS PLUS, INC.

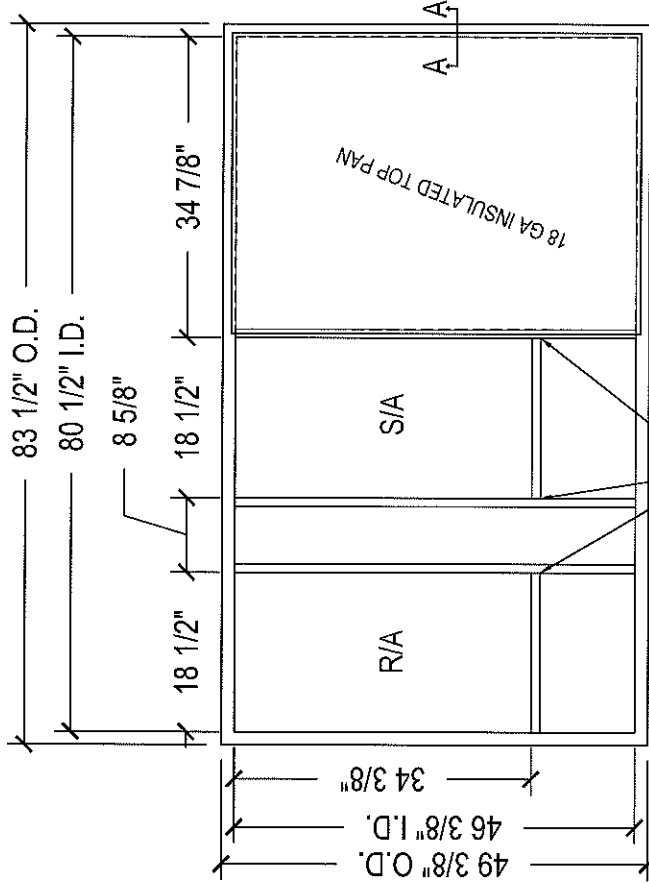
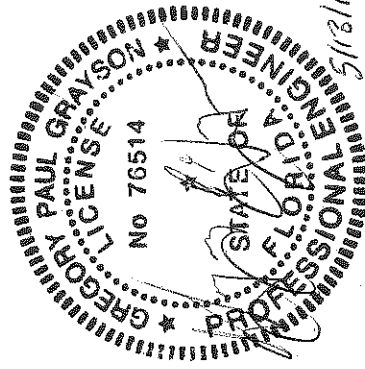
8767 Alabama Hwy  
 Ringgold, GA 30736  
 Phone: (706) 858-1188  
 Fax: (706) 866-2339  
 website: www.curbs-plus.com

DWG. NO.: TR-004-2  
 DATE: 12-22-15  
 NUMBER: 4 OF 10  
 PRODUCT NAME:  
 TRANE T/YSC 072-120  
 PROFESSIONAL ENGINEER:  
 GREGORY P. GRAYSON  
 DWG. REV. DATE: 4-12-16

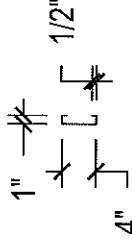
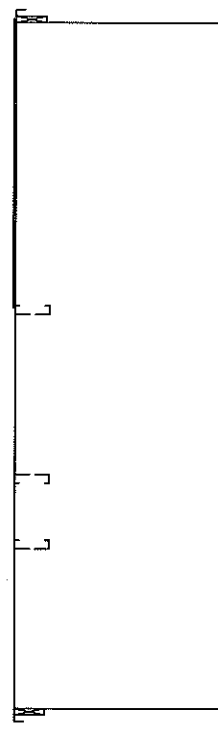
## CPC-4 (Uninsulated) Conventional Roof Curb

### STANDARD FEATURES

1. 14 Ga. Galvanized Steel Construction (0.078125" MIN).
2. Fully Welded One-Piece Construction
3. Curbs Prime Painted after Fabrication.
4. Pressure-Treated 1x4 Wood Nailer.
5. No Insulation.

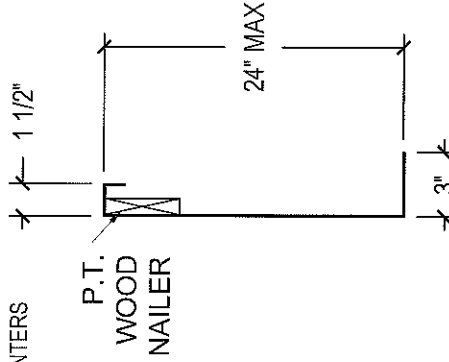


DUCT SUPPORTS



DUCT SUPPORT DETAIL

WELD 1"X1" ANGLES TO CURB WALL ON 24" CENTERS



TYPICAL SECTION AA

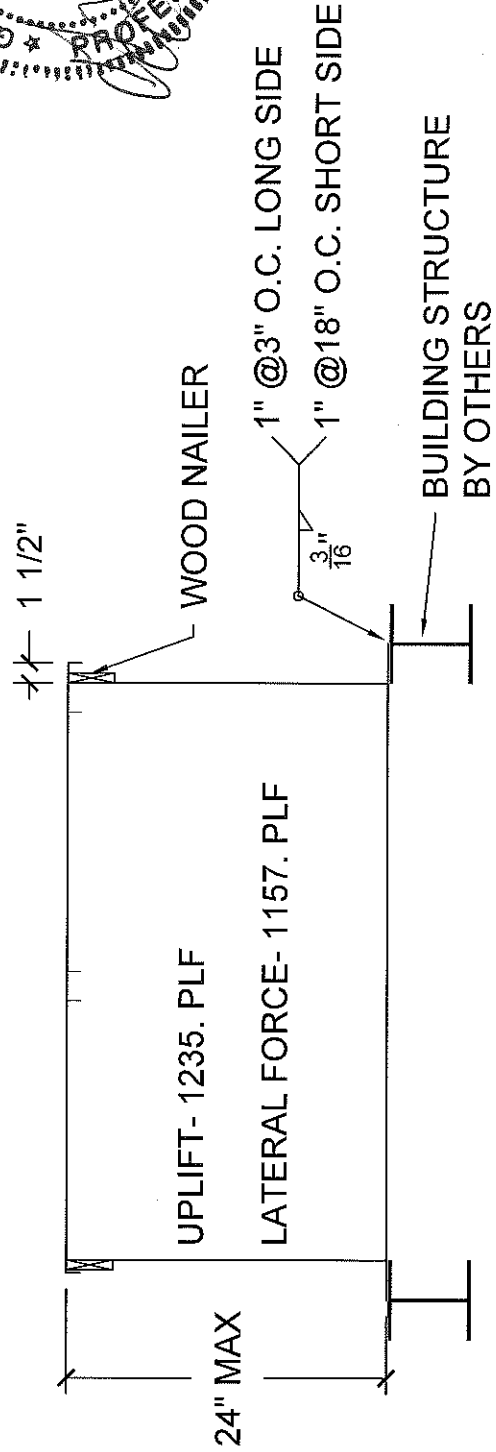
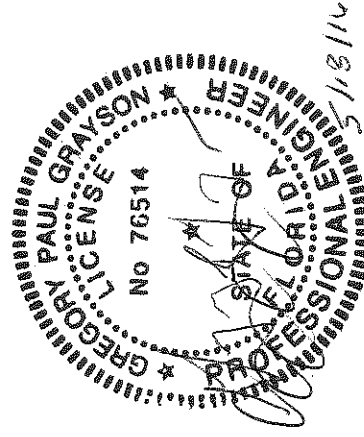
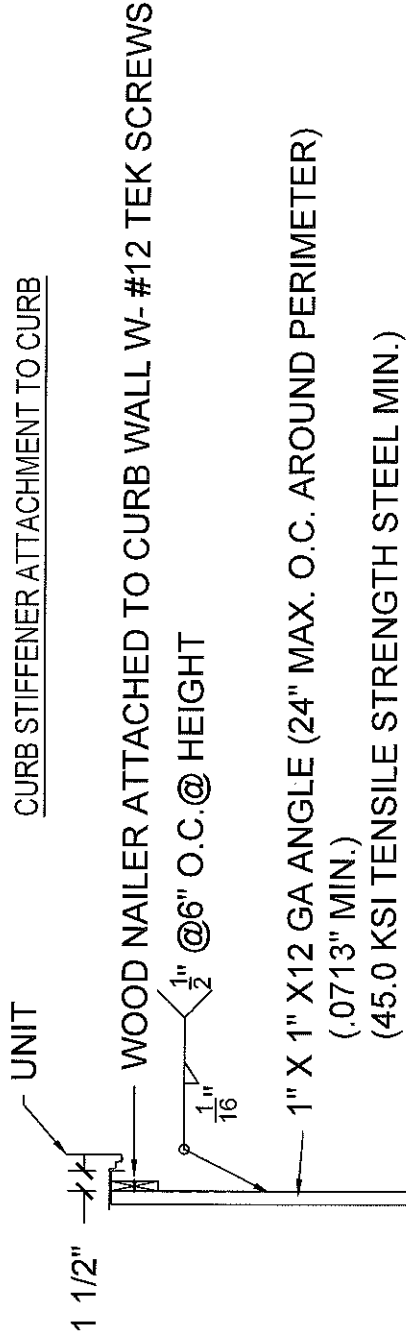
DUCT SUPPORTS CONSTRUCTED FROM 18 GA GALVANIZED STEEL

# CURBS PLUS, INC.

8767 Alabama Hwy  
Ringgold, GA 30736  
Phone: (706) 858-1188  
Fax: (706) 866-2339  
website: www.curbs-plus.com

DWG. NO.: TR-004-3  
DATE: 12-22-15  
NUMBER: 4 OF 10  
PRODUCT NAME:  
TRANE T/YSC 072-120  
PROFESSIONAL ENGINEER:  
GREGORY P. GRAYSON  
DWG. REV. DATE: 4-12-16

## CURB STIFFENER ATTACHMENT TO CURB



# CURBS PLUS, INC.

8767 Alabama Hwy  
 Ringgold, GA 30736  
 Phone: (706) 858-1188  
 Fax: (706) 866-2339  
 website: www.curbs-plus.com

DWG. NO.: TR-004-4

DATE: 12-22-15

NUMBER: 4 OF 10

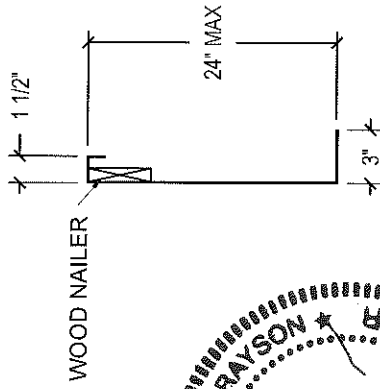
PRODUCT NAME:

TRANE T/YSO 072-120

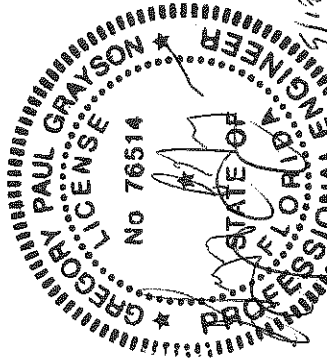
PROFESSIONAL ENGINEER:

GREGORY P. GRAYSON

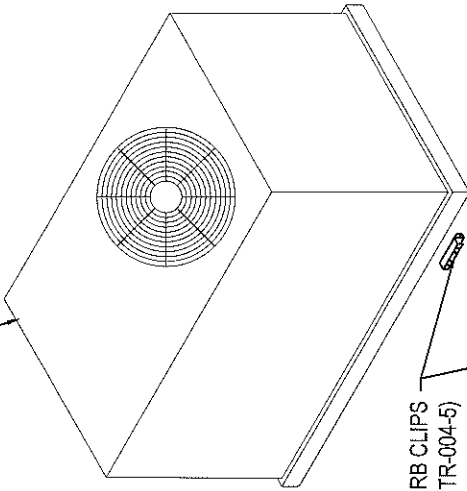
DWG. REV. DATE: 4-12-16



TYPICAL SECTION BB



TRANE SUPPLIED HVAC UNIT

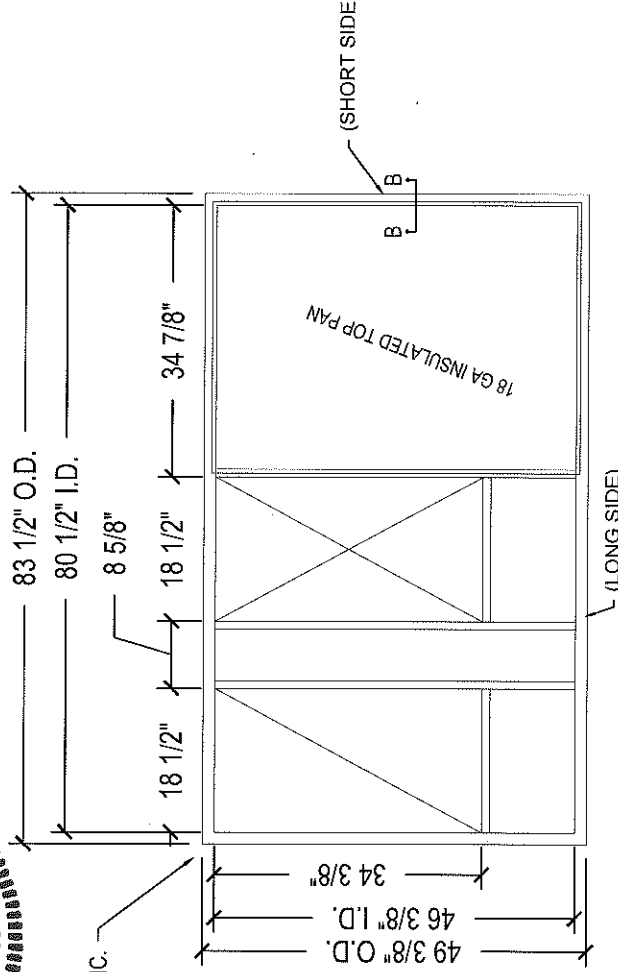


CURB CLIPS  
 (SEE DWG NO. TR-004-5)

CURBS PLUS INC.  
 ROOF CURB

DUCT SUPPORTS  
 INSULATED  
 18 GA PAN

FULL PERIMETER  
 SUPPORT

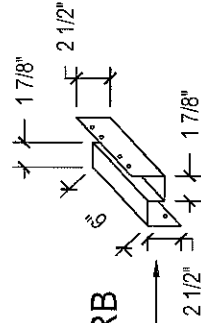
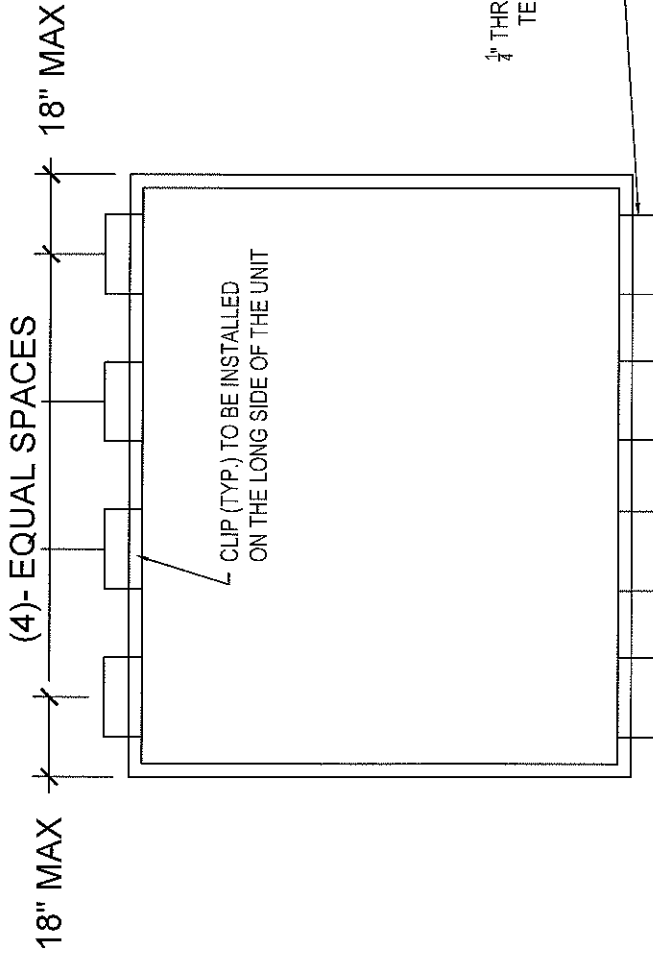


BUILDING STRUCTURE  
 (I-BEAMS SHOWN, STRUCTURE TYPE  
 TO BE DETERMINED BY LOCAL CODE/ENGINEER  
 AND TO BE PROVIDED BY OTHERS)

**CURBS PLUS, INC.**

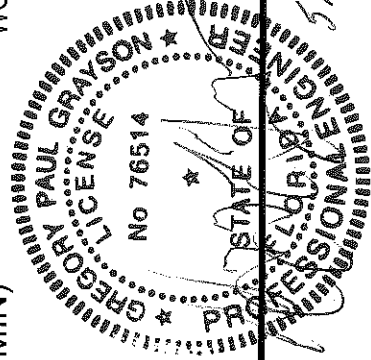
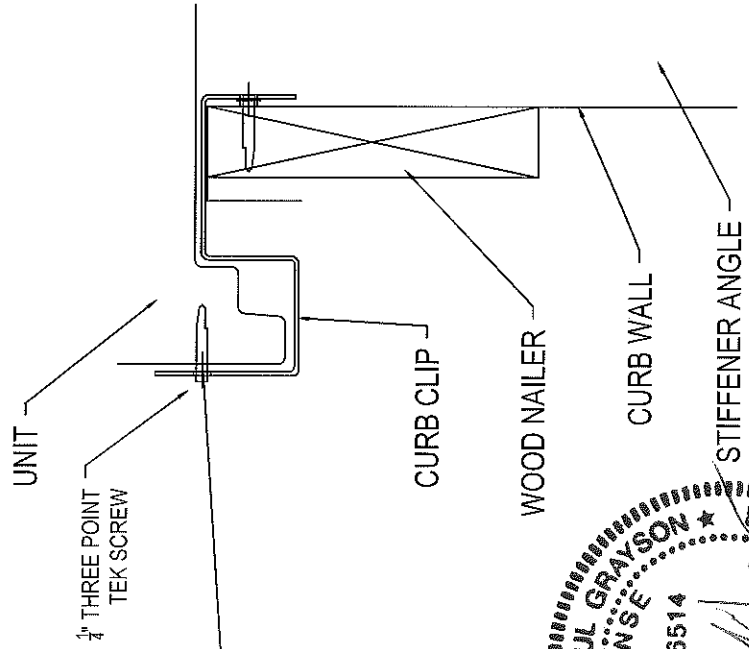
8767 Alabama Hwy  
 Ringgold, GA 30736  
 Phone: (706) 858-1188  
 Fax: (706) 866-2339  
 website: www.curbs-plus.com

DWG. NO.: TR-004-5  
 DATE: 12-22-15  
 NUMBER: 4 OF 10  
 PRODUCT NAME:  
 TRANE T/YSO 072-120  
 PROFESSIONAL ENGINEER:  
 GREGORY P. GRAYSON  
 DWG. REV. DATE: 4-12-16



(10)- CURB CLIPS MIN. PER CURB  
 TYPICAL CURB CLIP

CURB CLIP TO BE 12 GA STEEL CONSTRUCTION (.1017" MIN) LENGTH= 6" STEEL= 45.0 KSI (MIN.) TENSILE STRENGTH



# CURBS PLUS, INC.

8767 Alabama Hwy  
 Ringgold, GA 30736  
 Phone: (706) 858-1188  
 Fax: (706) 866-2339  
 website: www.curbs-plus.com

DWG. NO.: TR-005-1  
 DATE: 12-22-15  
 NUMBER: 5 OF 10  
 PRODUCT NAME:  
 TRANE T-YHC 092-120E, WSC120E  
 PROFESSIONAL ENGINEER:  
 GREGORY P. GRAYSON  
 DWG. REV. DATE: 4-12-16

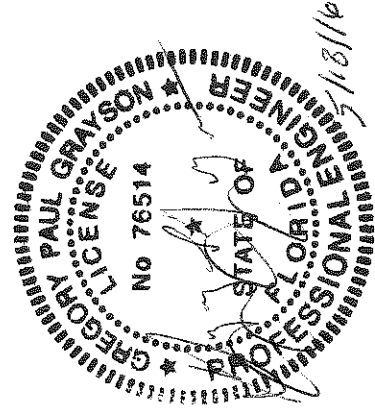
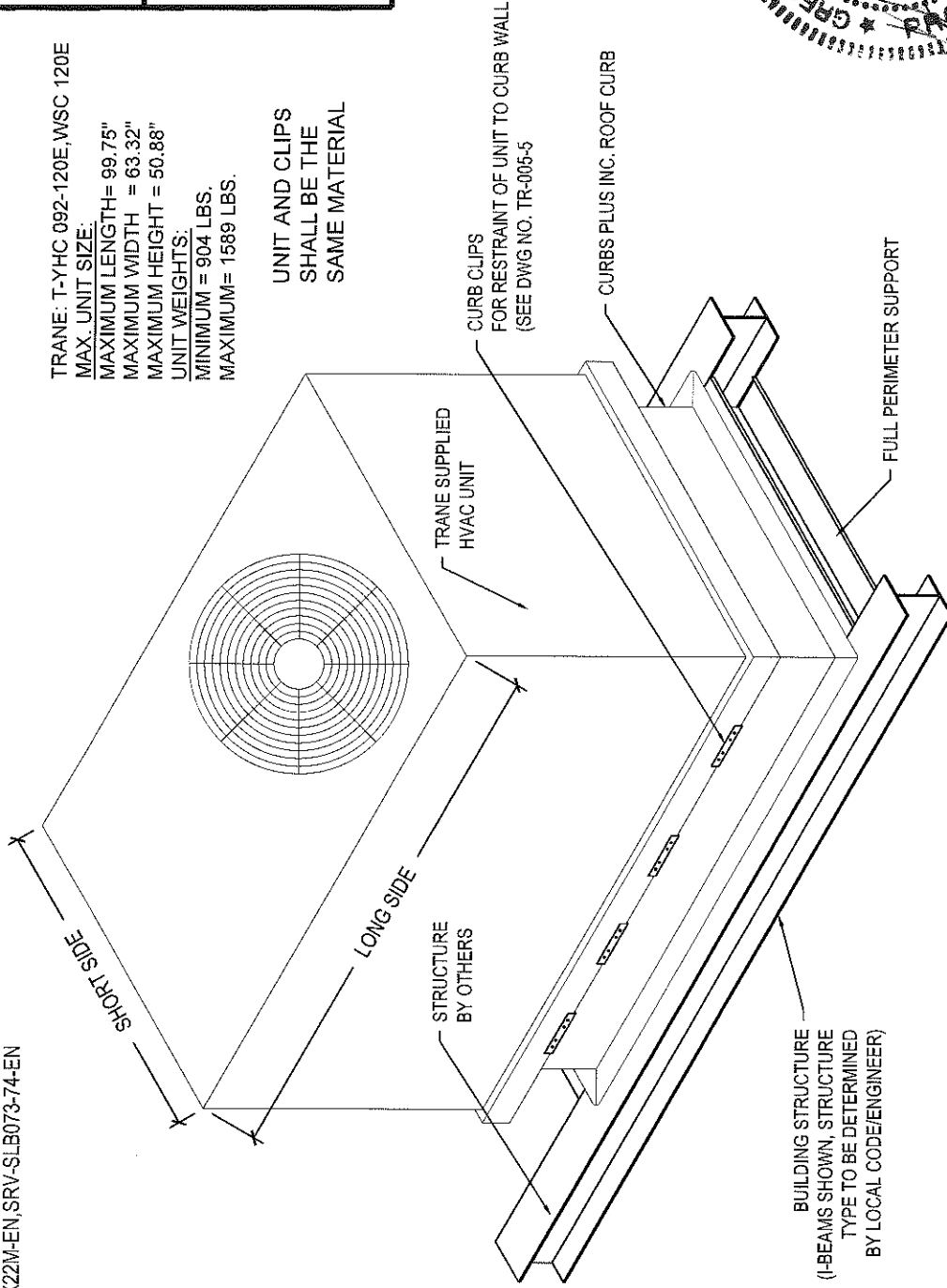
THE CURBS AND ATTACHMENT SCHEDULE SHOWN IN THESE DRAWINGS  
 ARE APPLICABLE TO TRANE UNITS T-YHC 092-120E, WSC 120E

**MODELS:**

PKGB-PRC013G-EN, RT-PRC023AF-EN, RT-PRC037T-EN, RT-PRC051E-EN, RT-SVX21N-EN, RT-SVX22M-EN,  
 RT-SVX22M-EN, SRV-SLB073-74-EN

TRANE: T-YHC 092-120E, WSC 120E  
 MAX. UNIT SIZE:  
 MAXIMUM LENGTH = 99.75"  
 MAXIMUM WIDTH = 63.32"  
 MAXIMUM HEIGHT = 50.88"  
 UNIT WEIGHTS:  
 MINIMUM = 904 LBS.  
 MAXIMUM = 1589 LBS.

UNIT AND CLIPS  
 SHALL BE THE  
 SAME MATERIAL



- CURBS CONNECTION TO STRUCTURE**
1. WELDS: 1" WELDS AT SHORT SIDE -18" O.C., 1" WELDS AT LONG SIDE - 3" O.C.
  2. SCREWS TO DECK: #12 TEK SCREWS @ 3" AROUND PERIMETER ( DECK IS 22 GA MINIMUM)
  3. SCREWS TO STRUCTURAL STEEL: #12 TEK SCREWS AROUND PERIMETER @ 3 1/2" O.C. (STRUCTURE IS 3/16" MIN)
  4. DRIVE PINS IN LW CONCRETE: 3/4" DIA. DRIVE PINS W/1" EMBEDMENT @ 2 1/2" O.C. AROUND PERIMETER (MIN. 3000 PSI STRUCTURAL LIGHTWEIGHT CONCRETE)

# CURBS PLUS, INC.

8767 Alabama Hwy  
 Ringgold, GA 30736  
 Phone: (706) 858-1188  
 Fax: (706) 866-2339  
 website: www.curbs-plus.com

DWG. NO.: TR-005-2

DATE: 12-22-15

NUMBER: 5 OF 10

PRODUCT NAME:

TRANE T-YHC 092-120E, WSC120E

PROFESSIONAL ENGINEER:

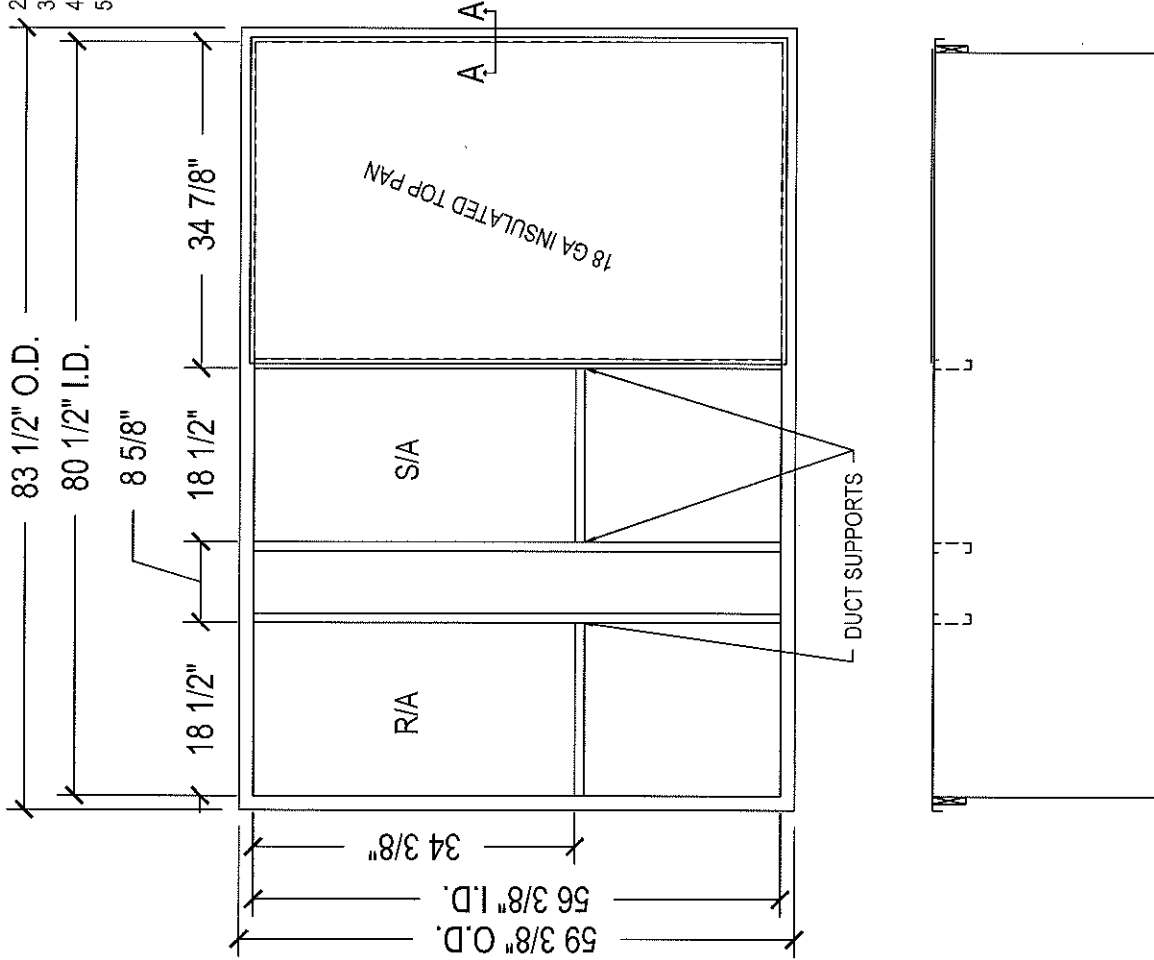
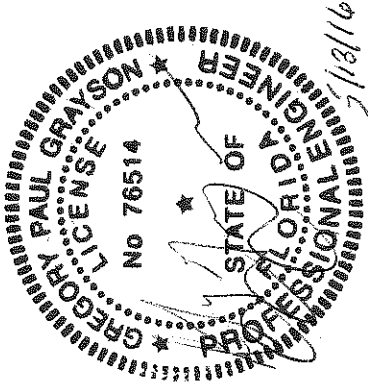
GREGORY P. GRAYSON

DWG. REV. DATE: 4-12-16

## CPC-4 (Uninsulated) Conventional Roof Curb

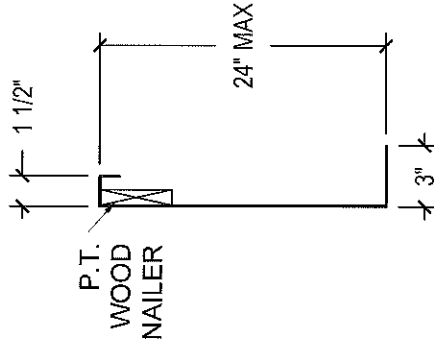
### STANDARD FEATURES

1. 14 Ga. Galvanized Steel Construction (0.076125" MIN).
2. Fully Welded One-Piece Construction
3. Curbs Prime Painted after Fabrication.
4. Pressure-Treated 1x4 Wood Nailer.
5. No Insulation.



WELD 1"x1" ANGLES TO CURB WALL ON  
 24" CENTERS, AND 1 ANGLE IN EACH CORNER

DUCT SUPPORTS CONSTRUCTED  
 FROM 18 GA GALVANIZED STEEL



TYPICAL SECTION AA



**CURBS PLUS, INC.**

8767 Alabama Hwy  
Ringgold, GA 30736  
Phone: (706) 858-1188  
Fax: (706) 866-2339  
website: www.curbs-plus.com

DWG. NO.: TR-005-3

DATE: 12-22-15

NUMBER: 5 OF 10

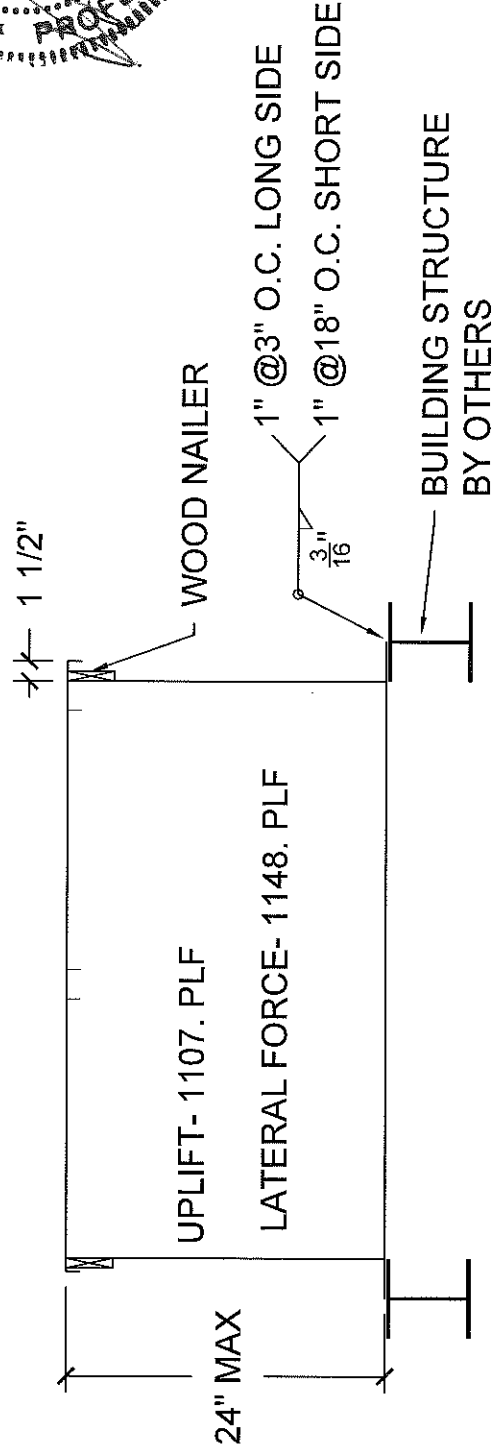
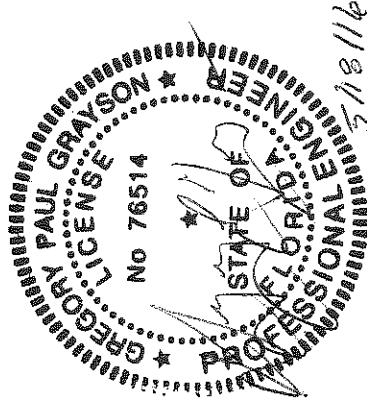
PRODUCT NAME:

TRANE T-YHC 092-120E, WSC120E

PROFESSIONAL ENGINEER:

GREGORY P. GRAYSON

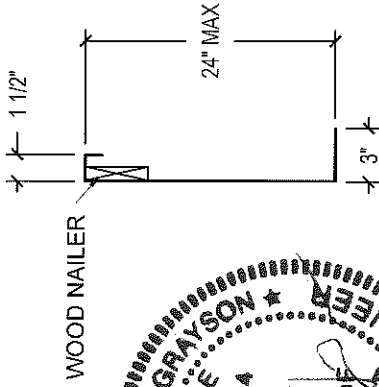
DWG. REV. DATE: 4-12-16



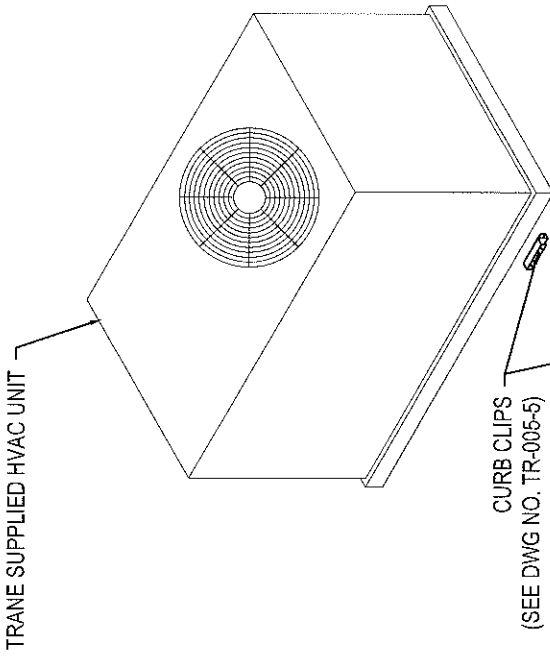
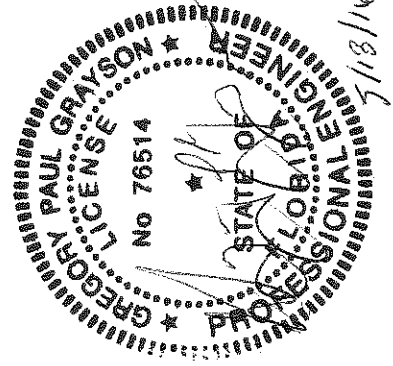
**CURBS PLUS, INC.**

8767 Alabama Hwy  
 Ringgold, GA 30736  
 Phone: (706) 858-1188  
 Fax: (706) 866-2339  
 website: www.curbs-plus.com

DWG. NO.: TR-005-4  
 DATE: 12-22-15  
 NUMBER: 5 OF 10  
 PRODUCT NAME:  
 TRANE T-YHC 092-120E, WSC120E  
 PROFESSIONAL ENGINEER:  
 GREGORY P. GRAYSON  
 DWG. REV. DATE: 4-12-16

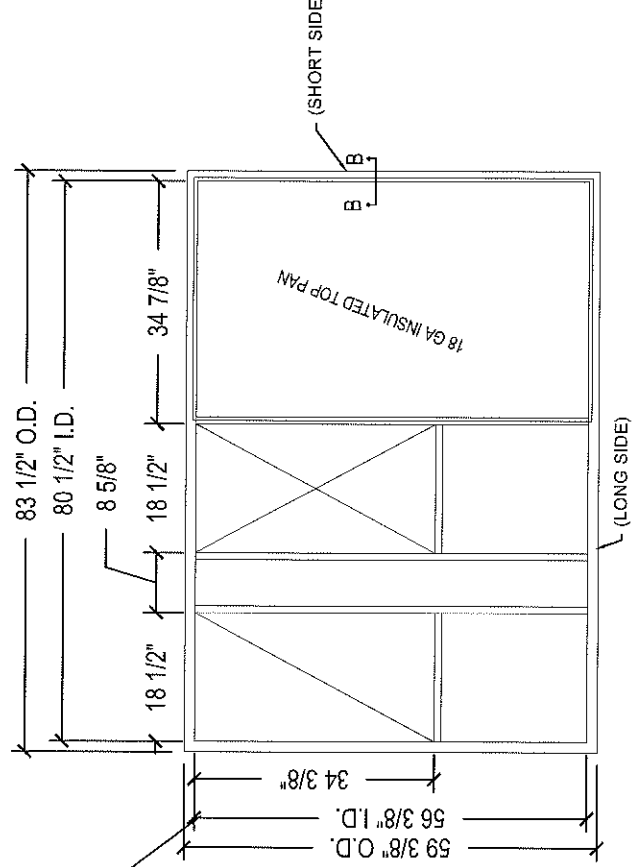
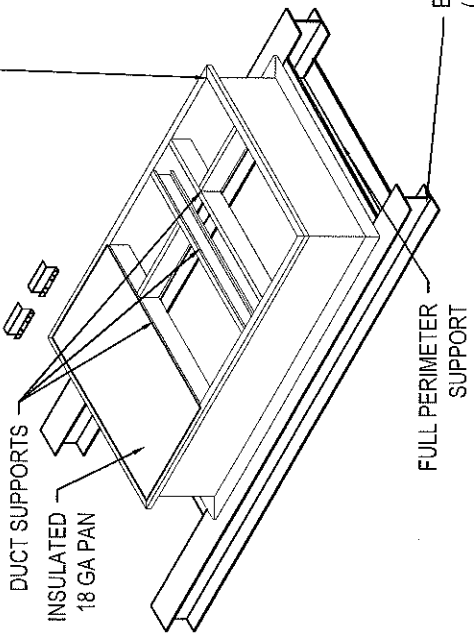


TYPICAL SECTION BB



CURB CLIPS  
 (SEE DWG NO. TR-005-5)

CURBS PLUS INC.  
 ROOF CURB

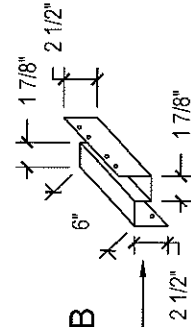
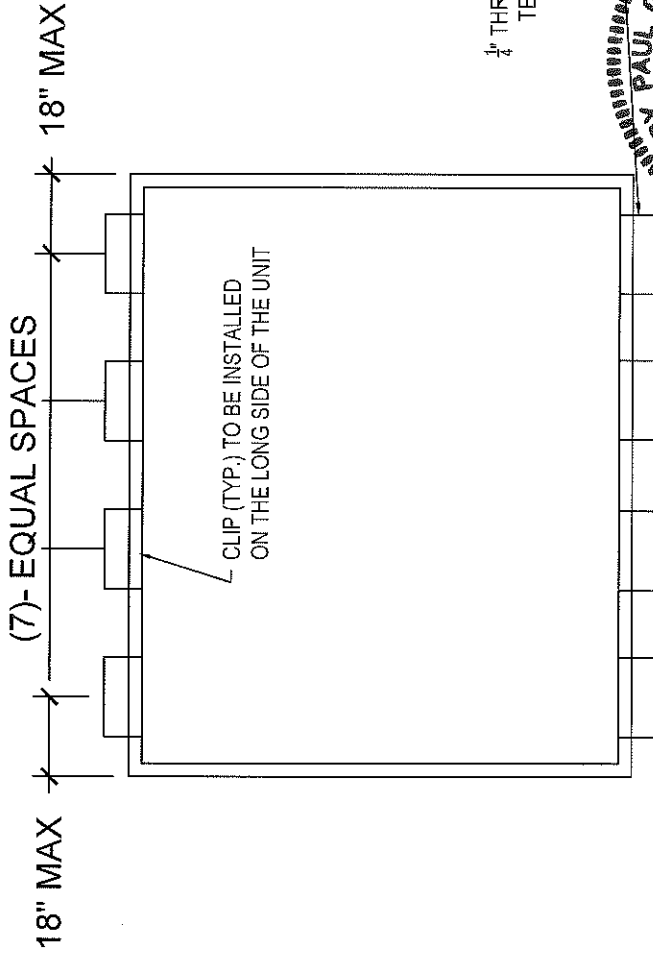


BUILDING STRUCTURE  
 (I-BEAMS SHOWN, STRUCTURE TYPE  
 TO BE DETERMINED BY LOCAL CODE/ENGINEER  
 AND TO BE PROVIDED BY OTHERS)

**CURBS PLUS, INC.**

8767 Alabama Hwy  
 Ringgold, GA 30736  
 Phone: (706) 858-1188  
 Fax: (706) 866-2339  
 website: www.curbs-plus.com

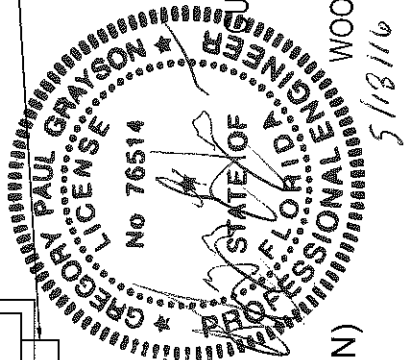
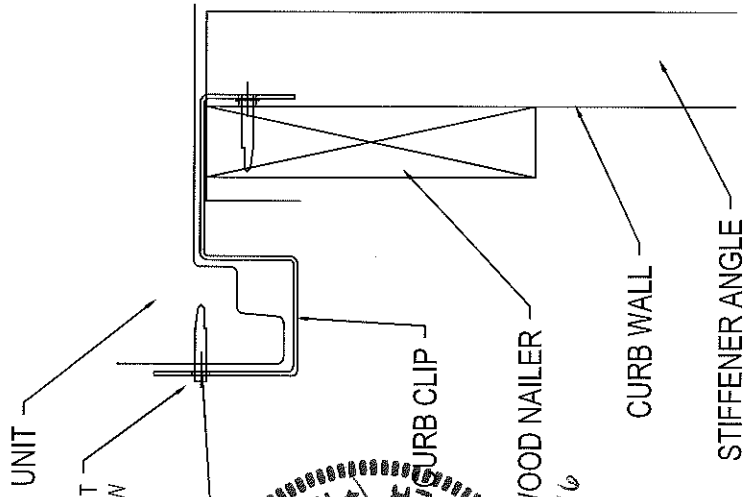
DWG. NO.: TR-005-5  
 DATE: 12-22-15  
 NUMBER: 5 OF 10  
 PRODUCT NAME:  
 TRANE T-YHC 092-120E, WSC120E  
 PROFESSIONAL ENGINEER:  
 GREGORY P. GRAYSON  
 DWG. REV. DATE: 4-12-16



(16)- CURB CLIPS MIN. PER CURB

TYPICAL CURB CLIP

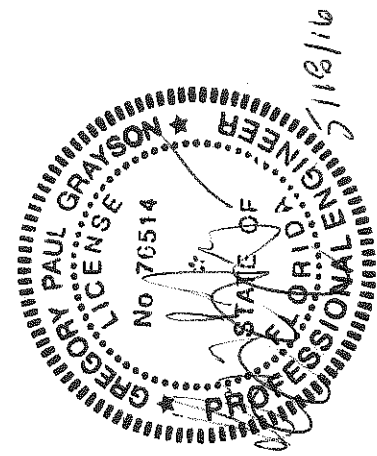
CURB CLIP TO BE 12 GA STEEL CONSTRUCTION (.1017" MIN) LENGTH= 6" STEEL= 45.0 KSI (MIN.) TENSILE STRENGTH



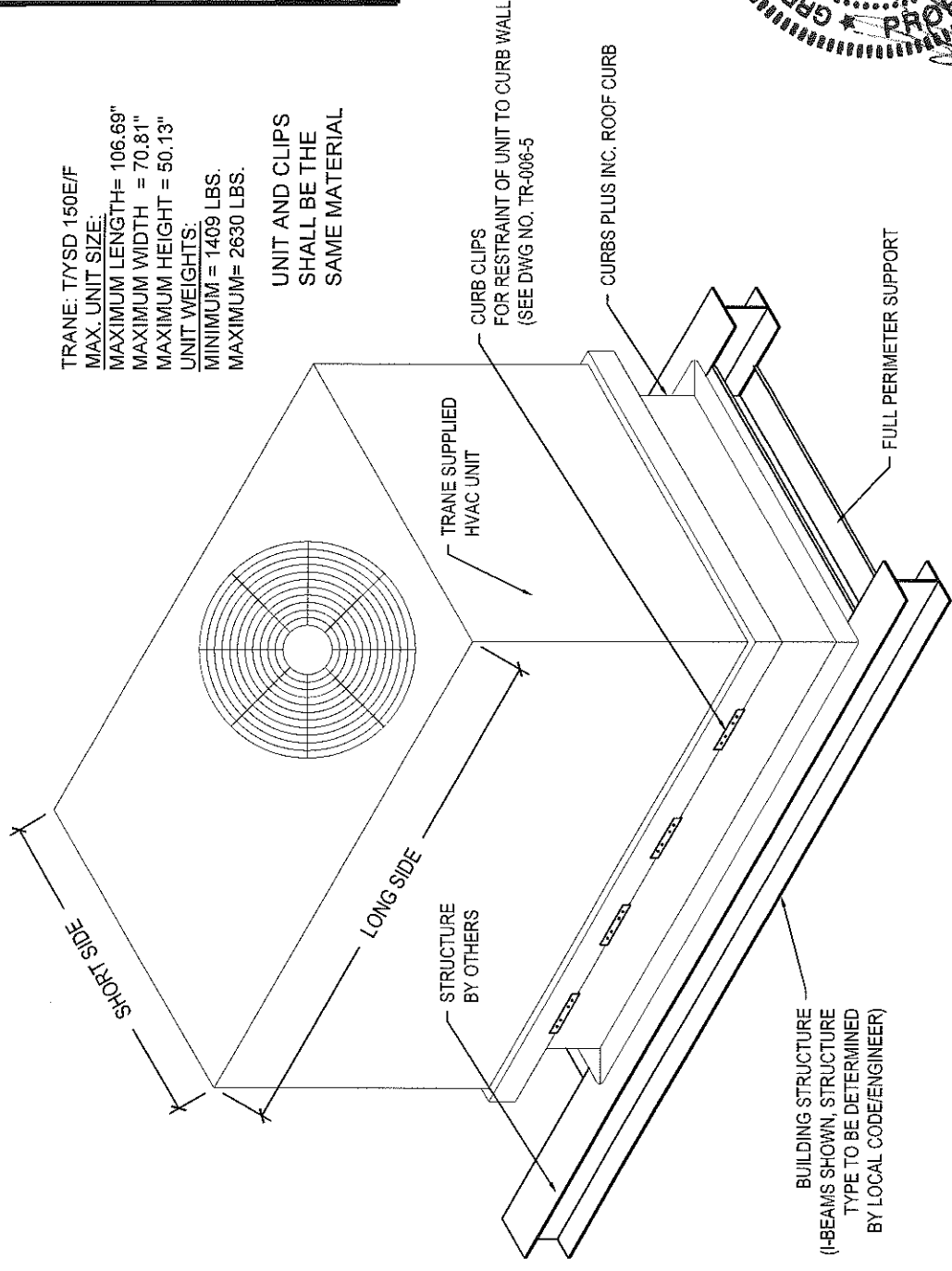
# CURBS PLUS, INC.

8767 Alabama Hwy  
 Ringgold, GA 30736  
 Phone: (706) 858-1188  
 Fax: (706) 866-2339  
 website: www.curbs-plus.com

DWG. NO.: TR-006-1  
 DATE: 12-22-15  
 NUMBER: 6 OF 10  
 PRODUCT NAME:  
 TRANE TYSO 150E/F  
 PROFESSIONAL ENGINEER:  
 GREGORY P. GRAYSON  
 DWG. REV. DATE: 4-12-16



THE CURBS AND ATTACHMENT SCHEDULE SHOWN IN THESE DRAWINGS ARE APPLICABLE TO TRANE UNITS TYSO 150E/F MODELS: RT-PRC028U-EN, RT-PRC038E-EN, RT-SVX25G-EN, RT-SVX26J-EN.

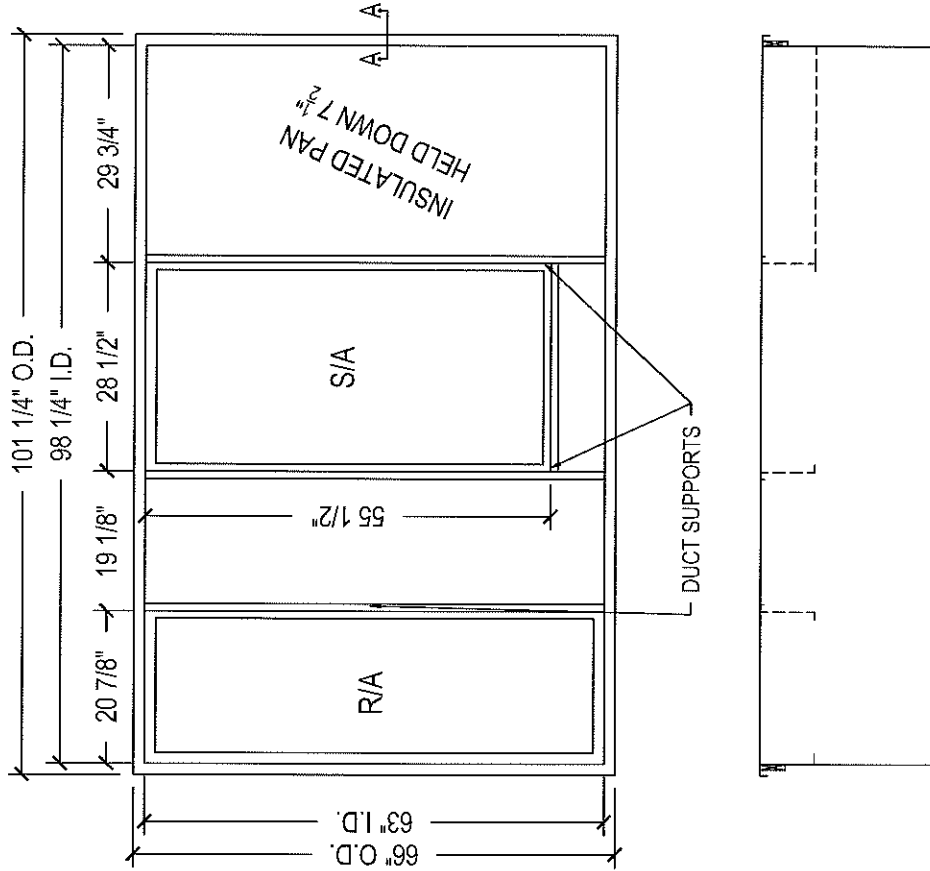


TRANE: TYSO 150E/F  
 MAX. UNIT SIZE:  
 MAXIMUM LENGTH= 106.69"  
 MAXIMUM WIDTH = 70.81"  
 MAXIMUM HEIGHT = 50.13"  
 UNIT WEIGHTS:  
 MINIMUM= 1409 LBS.  
 MAXIMUM= 2630 LBS.

UNIT AND CLIPS SHALL BE THE SAME MATERIAL

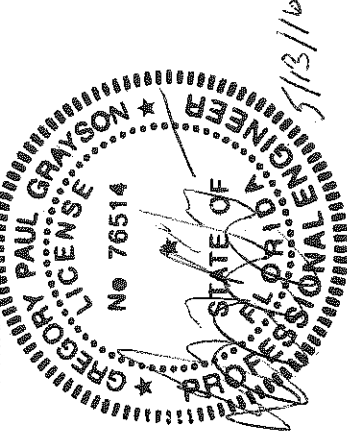
- CURBS CONNECTION TO STRUCTURE**
1. WELDS: 1" WELDS AT SHORT SIDE -18" O.C., 1" WELDS AT LONG SIDE - 3" O.C.
  2. SCREWS TO DECK: #12 TEK SCREWS @ 3" AROUND PERIMETER ( DECK IS 22 GA MINIMUM)
  3. SCREWS TO STRUCTURAL STEEL: #12 TEK SCREWS AROUND PERIMETER @ 3 1/2" O.C. (STRUCTURE IS 3/16" MIN)
  4. DRIVE PINS IN LW CONCRETE: 3/8" DIA. DRIVE PINS W/1" EMBEDMENT @ 2 1/2" O.C. AROUND PERIMETER (MIN. 3000 PSI STRUCTURAL LIGHTWEIGHT CONCRETE)

NOTE: ALL CURB WALLS HAVE A 1 1/2" DUCT FLANGE  
ALL CURB CHANNELS HAVE A 1" DUCT FLANGE

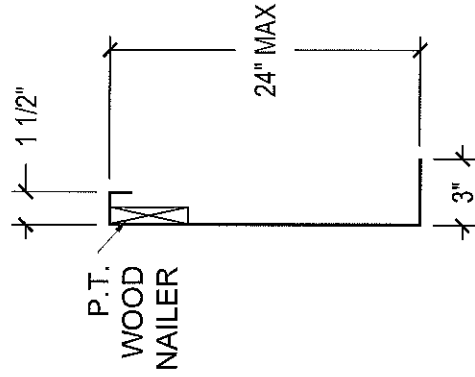


**CPC-4 (Uninsulated) Conventional Roof Curb**  
**STANDARD FEATURES**

1. 14 Ga. Galvanized Steel Construction (0.076125" MIN).
2. Fully Welded One-Piece Construction
3. Curbs Prime Painted after Fabrication.
4. Pressure-Treated 1x4 Wood Nailer.
5. No Insulation.



WELD 1"X1" ANGLES TO CURB WALL ON 24" CENTERS



DUCT SUPPORTS CONSTRUCTED FROM 18 GA GALVANIZED STEEL

DUCT SUPPORT DETAIL

TYPICAL SECTION AA

**CURBS PLUS, INC.**

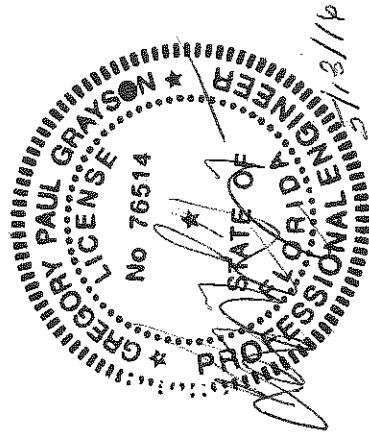
8767 Alabama Hwy  
Ringgold, GA 30736  
Phone: (706) 858-1188  
Fax: (706) 866-2339  
website: www.curbs-plus.com

DWG. NO.: TR-006-2  
DATE: 12-22-15  
NUMBER: 6 OF 10  
PRODUCT NAME:  
TRANE T1YSD 150E/F  
PROFESSIONAL ENGINEER:  
GREGORY P. GRAYSON  
DWG. REV. DATE: 4-12-16

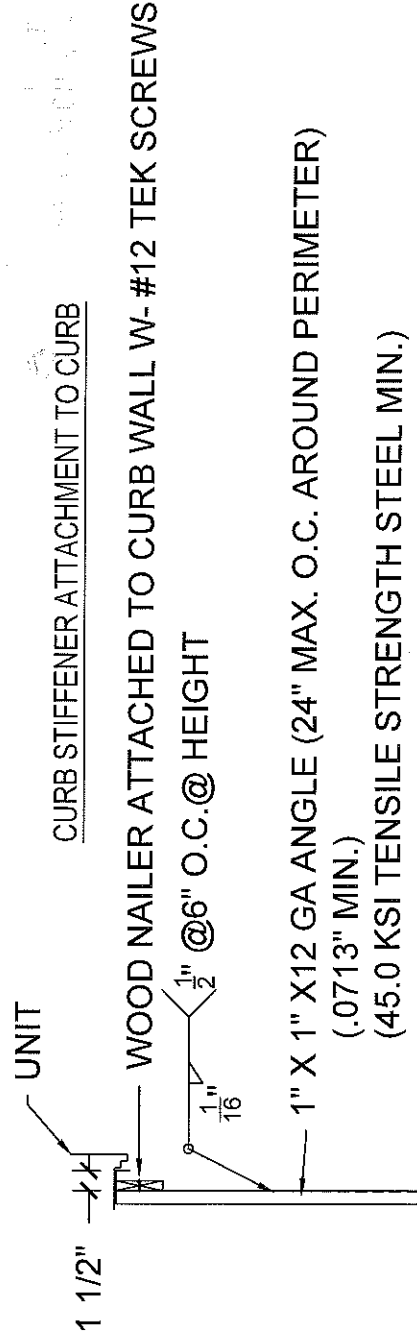
**CURBS PLUS, INC.**

8767 Alabama Hwy  
Ringgold, GA 30736  
Phone: (706) 858-1188  
Fax: (706) 866-2339  
website: www.curbs-plus.com

DWG. NO.: TR-006-3  
DATE: 12-22-15  
NUMBER: 6 OF 10  
PRODUCT NAME:  
TRANE T7YSD 150E/F  
PROFESSIONAL ENGINEER:  
GREGORY P. GRAYSON  
DWG. REV. DATE: 4-12-16



CURB STIFFENER ATTACHMENT TO CURB



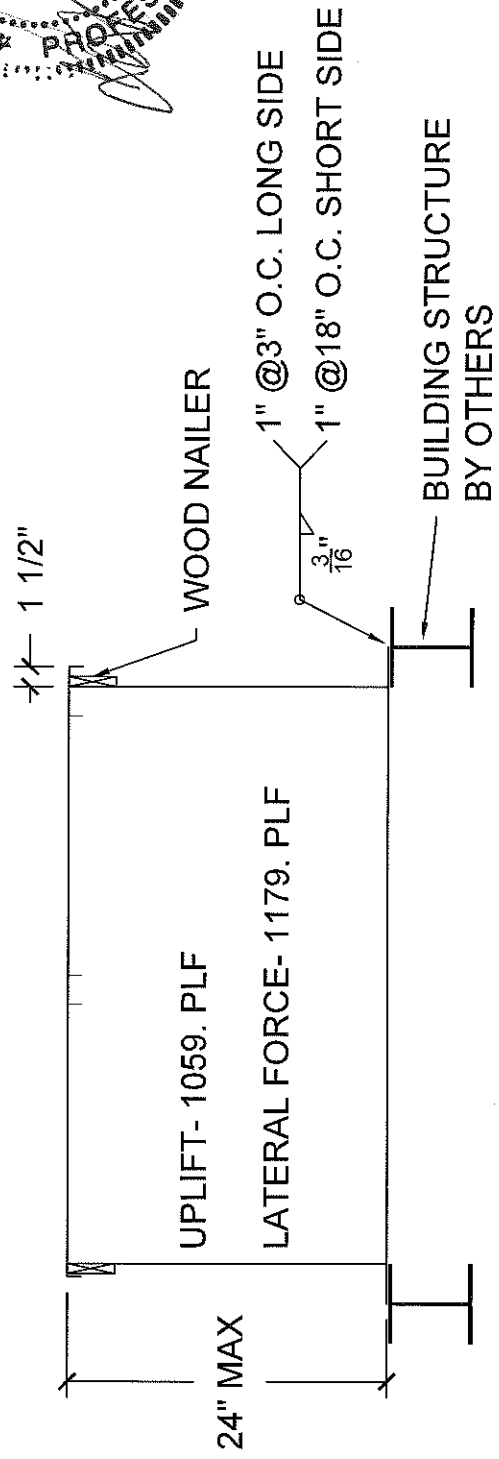
WOOD NAILER ATTACHED TO CURB WALL W- #12 TEK SCREWS

WOOD NAILER @ 1/2" O.C. @ HEIGHT

1" X 1" X 12 GA ANGLE (24" MAX. O.C. AROUND PERIMETER)

(.0713" MIN.)

(45.0 KSI TENSILE STRENGTH STEEL MIN.)



WOOD NAILER

1" @ 3" O.C. LONG SIDE

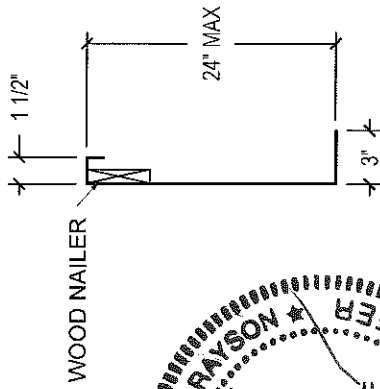
1" @ 18" O.C. SHORT SIDE

BUILDING STRUCTURE  
BY OTHERS

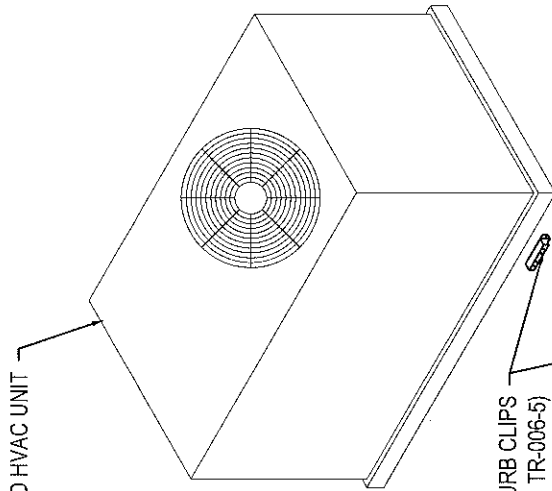
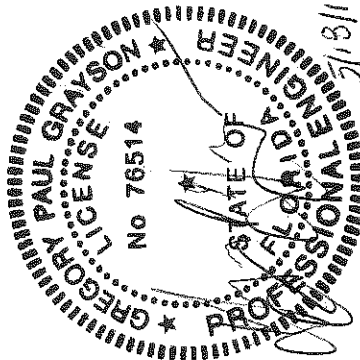
**CURBS PLUS, INC.**

8767 Alabama Hwy  
Ringgold, GA 30736  
Phone: (706) 858-1188  
Fax: (706) 866-2339  
website: www.curbs-plus.com

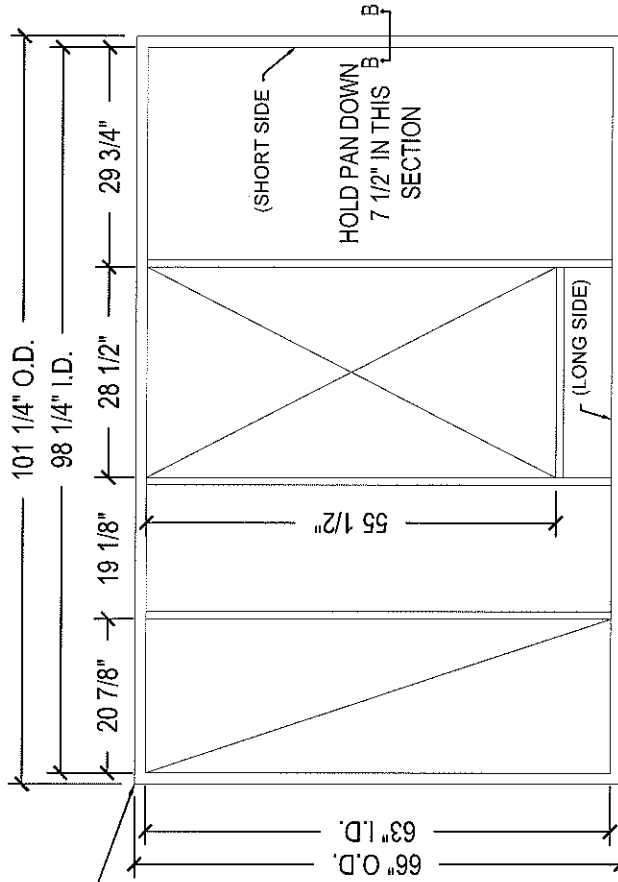
DWG. NO.: TR-006-4  
DATE: 12-22-15  
NUMBER: 6 OF 10  
PRODUCT NAME:  
TRANE TYSO 150E/F  
PROFESSIONAL ENGINEER:  
GREGORY P. GRAYSON  
DWG. REV. DATE: 4-12-16



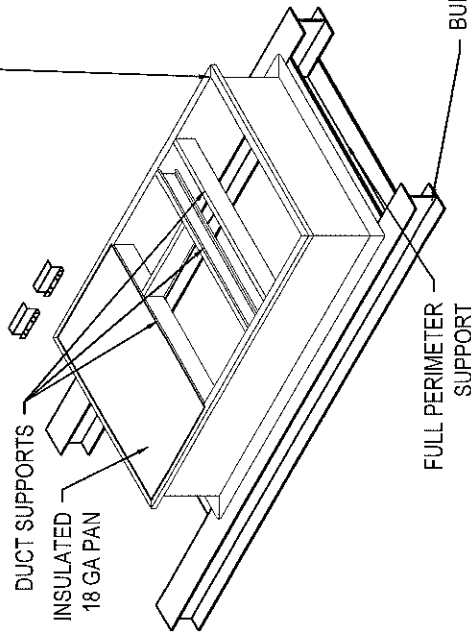
TYPICAL SECTION BB



CURB CLIPS  
(SEE DWG NO. TR-006-5)



CURBS PLUS INC.  
ROOF CURB

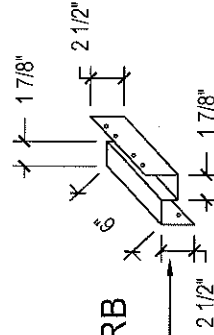
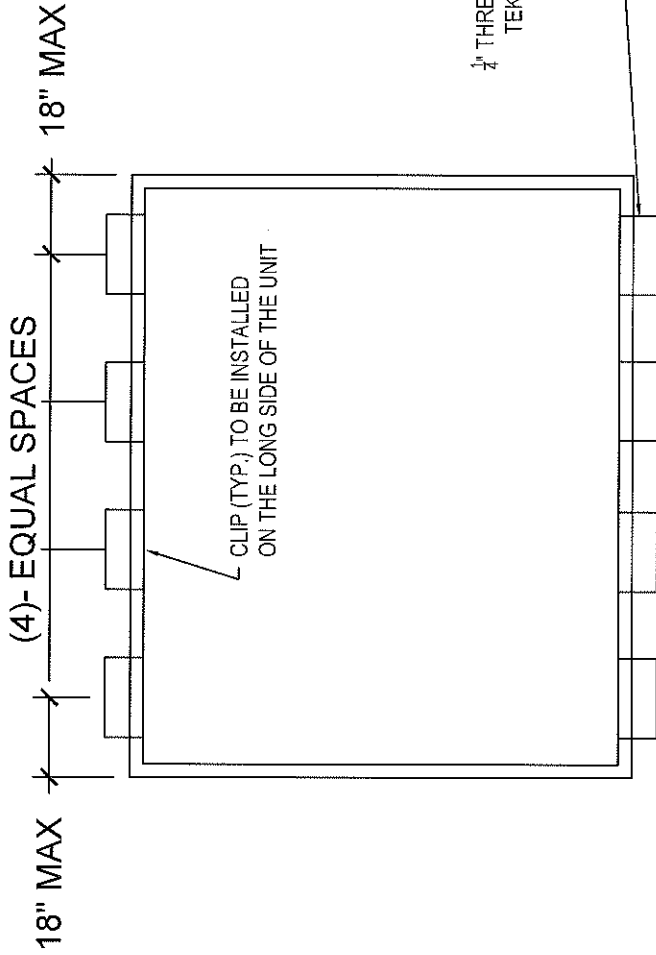


(+BEAMS SHOWN, STRUCTURE TYPE  
TO BE DETERMINED BY LOCAL CODE/ENGINEER  
AND TO BE PROVIDED BY OTHERS)

# CURBS PLUS, INC.

8767 Alabama Hwy  
Ringgold, GA 30736  
Phone: (706) 858-1188  
Fax: (706) 866-2339  
website: www.curbs-plus.com

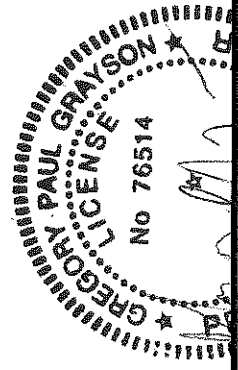
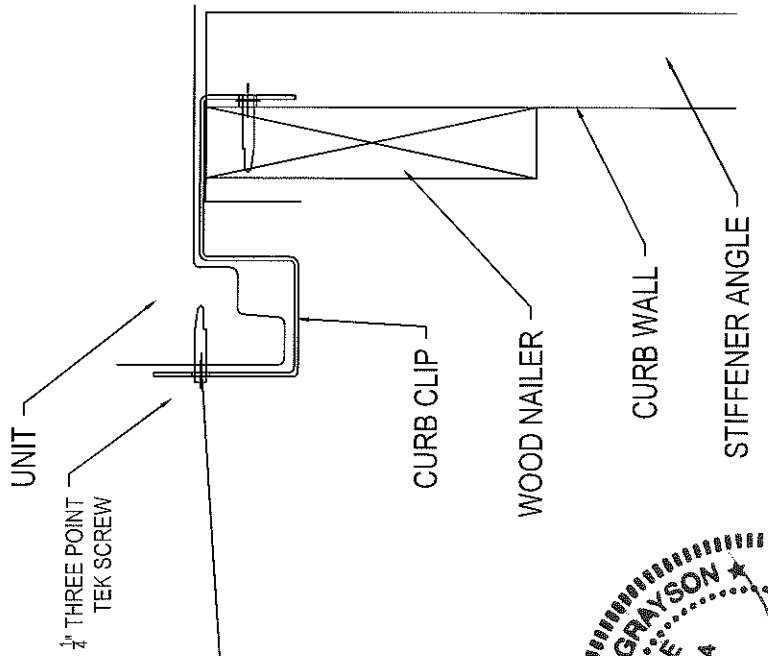
DWG. NO.: TR-006-5  
DATE: 12-22-15  
NUMBER: 6 OF 10  
PRODUCT NAME:  
TRANE TAYS D 150E/F  
PROFESSIONAL ENGINEER:  
GREGORY P. GRAYSON  
DWG. REV. DATE: 4-12-16



(10)- CURB CLIPS MIN. PER CURB

TYPICAL CURB CLIP

CURB CLIP TO BE 12 GA STEEL CONSTRUCTION (.1017" MIN) LENGTH= 6" STEEL= 45.0 KSI (MIN.) TENSILE STRENGTH





# CURBS PLUS, INC.

8767 Alabama Hwy  
 Ringgold, GA 30736  
 Phone: (706) 858-1188  
 Fax: (706) 866-2339  
 website: www.curbs-plus.com

DWG. NO.: TR-007-1

DATE: 12-22-15

NUMBER: 7 OF 10

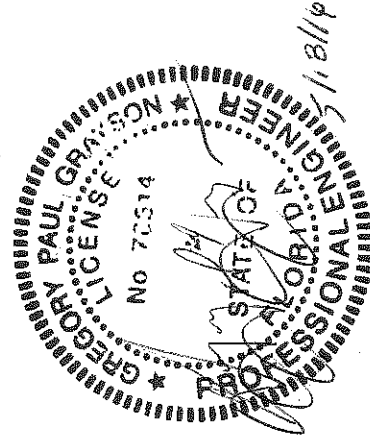
PRODUCT NAME:

TRANE YCD TCD 181-301B

PROFESSIONAL ENGINEER:

GREGORY P. GRAYSON

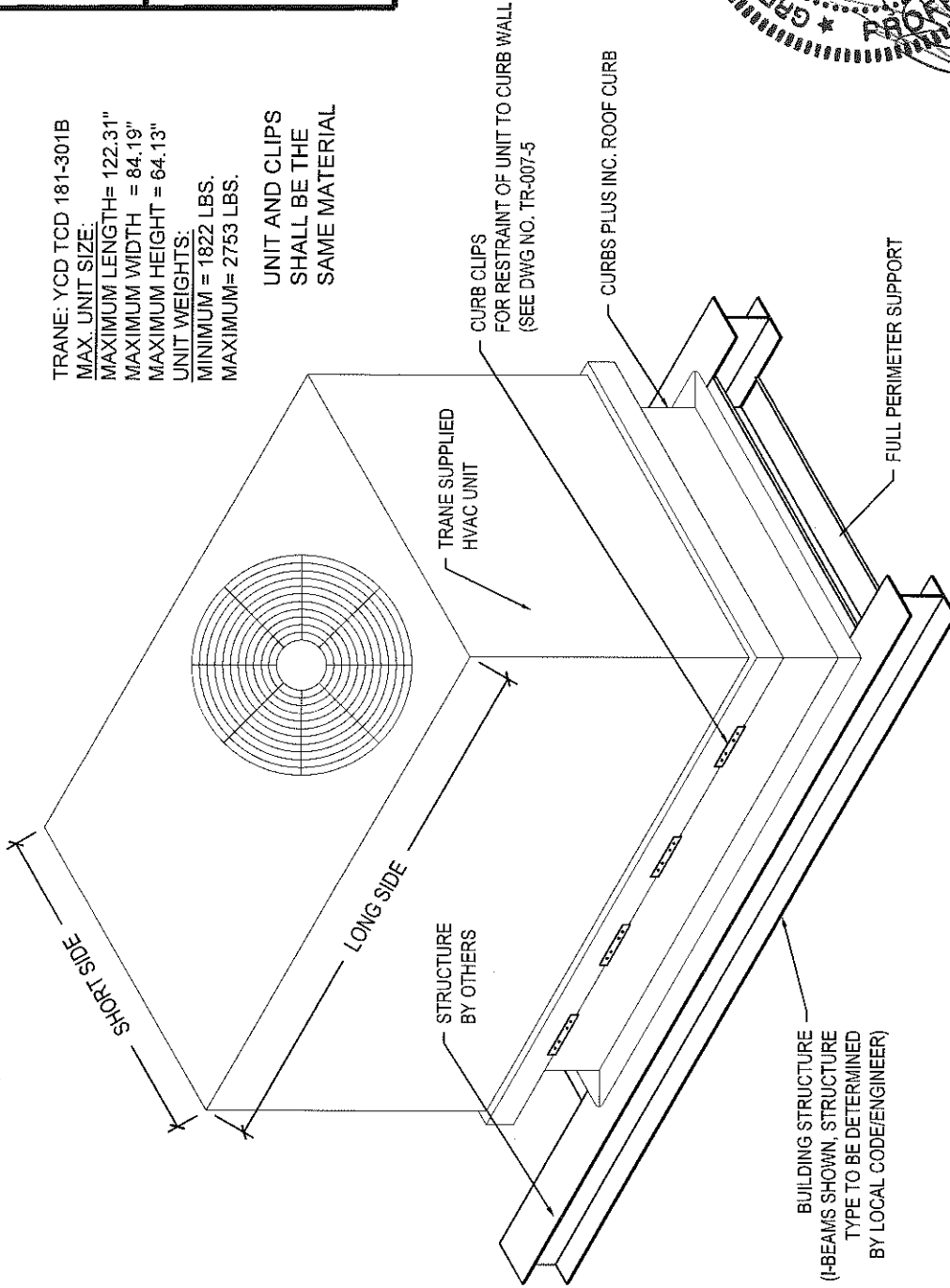
DWG. REV. DATE: 4-12-16



THE CURBS AND ATTACHMENT SCHEDULE SHOWN IN THESE DRAWINGS ARE APPLICABLE TO TRANE UNITS YCD TCD 181-301B  
 MODELS: RT-PRC028U-EN, RT-PRC034-EN, RT-PRC038E-EN, RT-PRC052D-EN, RT-PRC056-EN, RT-PRC059-EN, RT-SVX25G-EN, RT-SVX26-EN, RT-SVX33D-EN

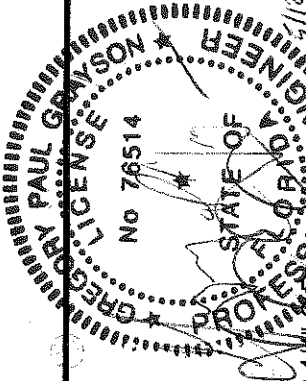
TRANE: YCD TCD 181-301B  
 MAX. UNIT SIZE:  
 MAXIMUM LENGTH= 122.31"  
 MAXIMUM WIDTH = 84.19"  
 MAXIMUM HEIGHT = 64.13"  
 UNIT WEIGHTS:  
 MINIMUM = 1822 LBS.  
 MAXIMUM = 2753 LBS.

UNIT AND CLIPS SHALL BE THE SAME MATERIAL



- CURBS CONNECTION TO STRUCTURE**
1. WELDS: 1" WELDS AT SHORT SIDE -18" O.C., 1" WELDS AT LONG SIDE - 3" O.C.
  2. SCREWS TO DECK: #12 TEK SCREWS @ 3" AROUND PERIMETER ( DECK IS 22 GA MINIMUM)
  3. SCREWS TO STRUCTURAL STEEL: #12 TEK SCREWS AROUND PERIMETER @ 3" O.C. (STRUCTURE IS 3/8" MIN)
  4. DRIVE PINS IN LW CONCRETE: 3/8" DIA. DRIVE PINS W/1" EMBEDMENT @ 2 1/2" O.C. AROUND PERIMETER (MIN. 3000 PSI STRUCTURAL LIGHTWEIGHT CONCRETE)

NOTE: ALL CURB WALLS HAVE A 1/2" DUCT FLANGE  
ALL CURB CHANNELS HAVE A 1" DUCT FLANGE



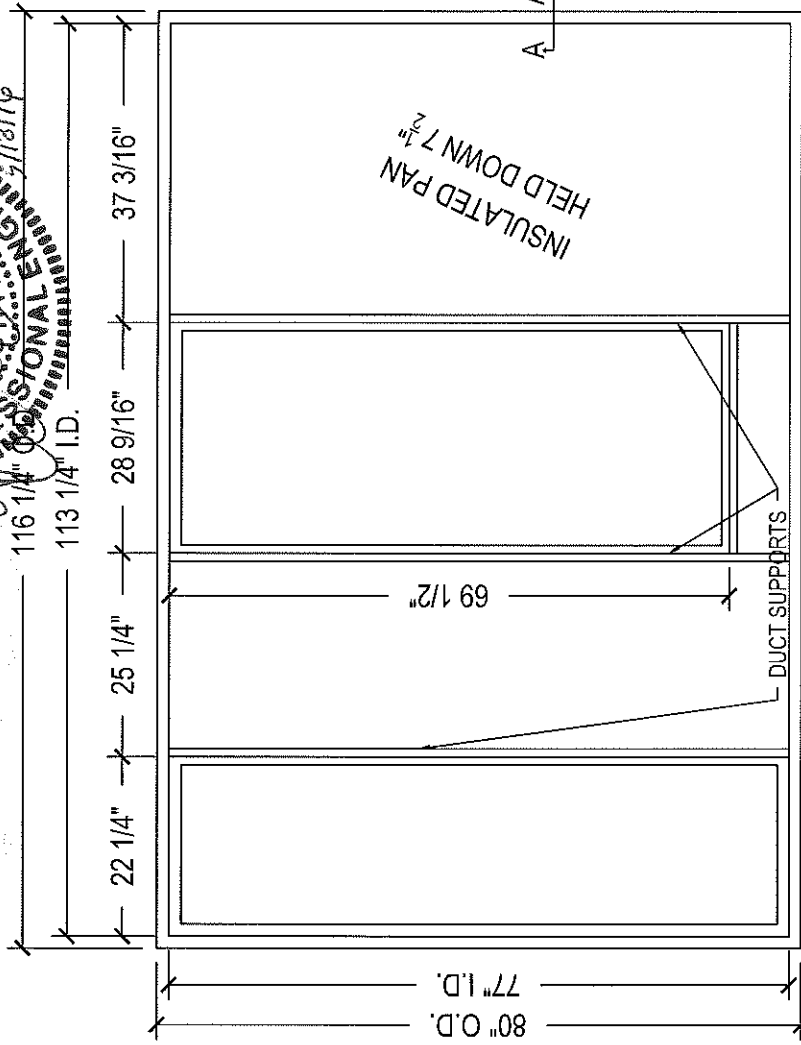
CPC-4 (Uninsulated) Conventional Roof Curb

STANDARD FEATURES

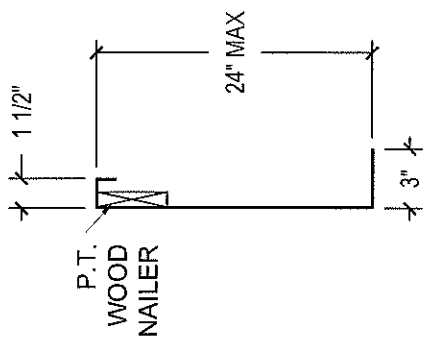
1. 14 Ga. Galvanized Steel Construction (0.078125" MIN).
2. Fully Welded One-Piece Construction
3. Curbs Prime Painted after Fabrication.
4. Pressure-Treated 1x4 Wood Nailer.
5. No Insulation.

**CURBS PLUS, INC.**  
8767 Alabama Hwy  
Ringgold, GA 30736  
Phone: (706) 858-1188  
Fax: (706) 866-2339  
website: www.curbs-plus.com

DWG. NO.: TR-007-2  
DATE: 12-22-15  
NUMBER: 7 OF 10  
PRODUCT NAME:  
TRANE YCD TCD 181-301B  
PROFESSIONAL ENGINEER:  
GREGORY P. GRAYSON  
DWG. REV. DATE: 4-12-16

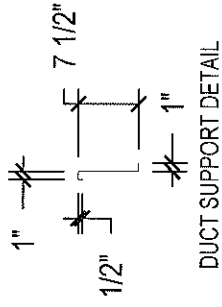


WELD 1"x1" ANGLES TO CURB WALL ON 24" CENTERS



TYPICAL SECTION AA

DUCT SUPPORTS CONSTRUCTED FROM 18 GA GALVANIZED STEEL

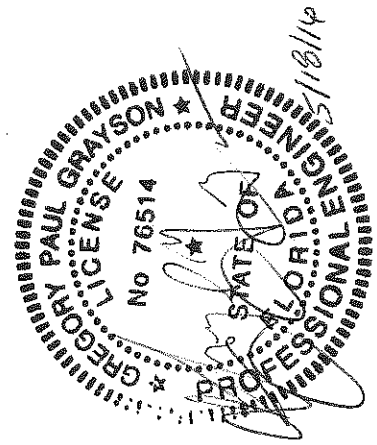


DUCT SUPPORT DETAIL

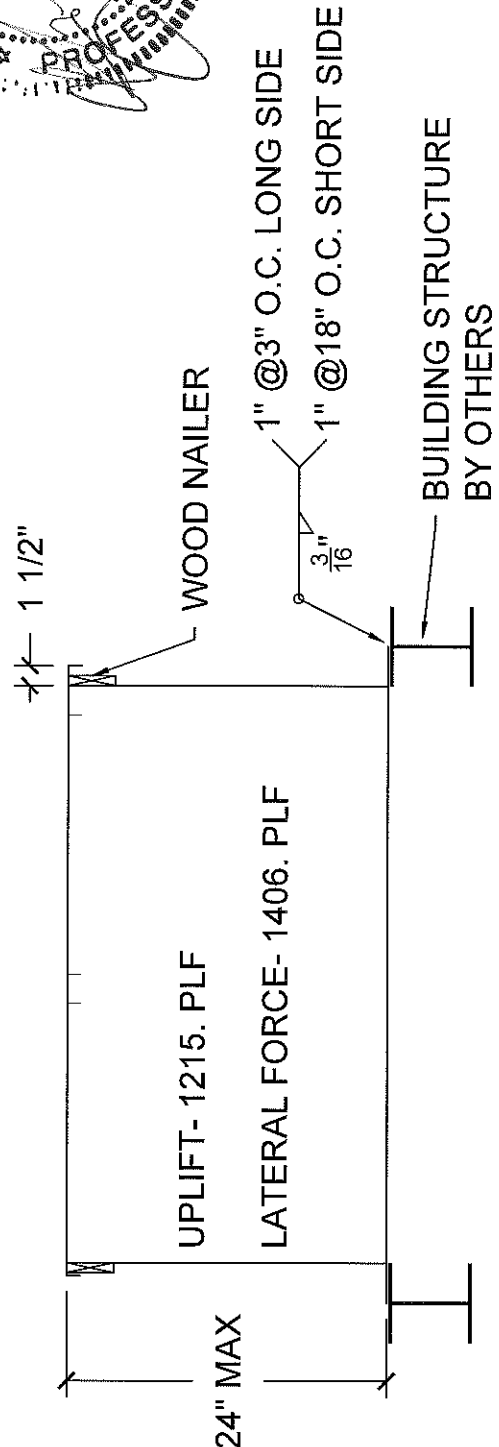
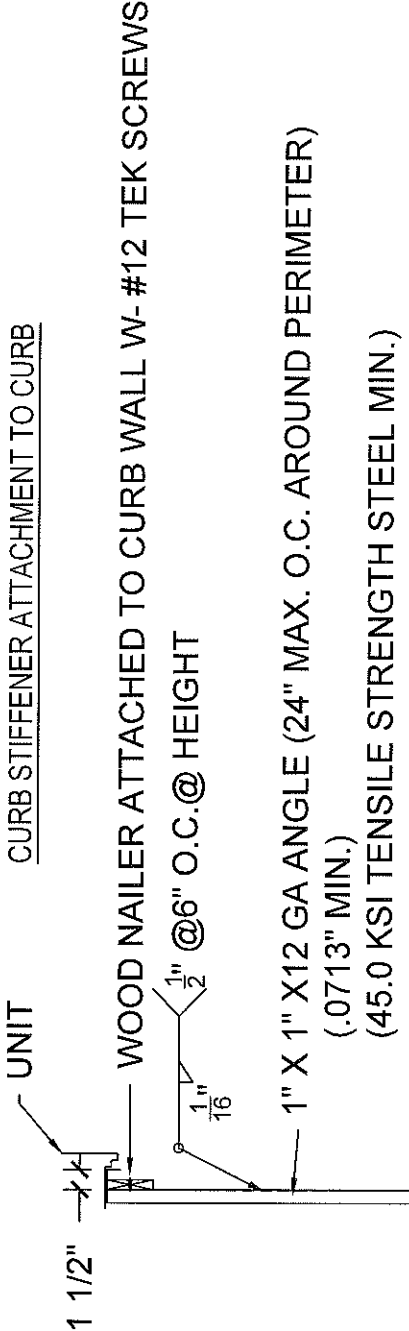
**CURBS PLUS, INC.**

8767 Alabama Hwy  
 Ringgold, GA 30736  
 Phone: (706) 858-1188  
 Fax: (706) 866-2339  
 website: www.curbs-plus.com

DWG. NO.: TR-007-3  
 DATE: 12-22-15  
 NUMBER: 7 OF 10  
 PRODUCT NAME:  
 TRANE YCD TCD 181-301B  
 PROFESSIONAL ENGINEER:  
 GREGORY P. GRAYSON  
 DWG. REV. DATE: 4-12-16



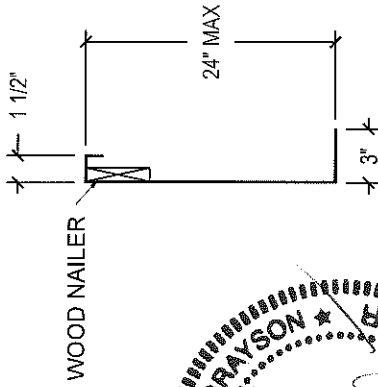
CURB STIFFENER ATTACHMENT TO CURB



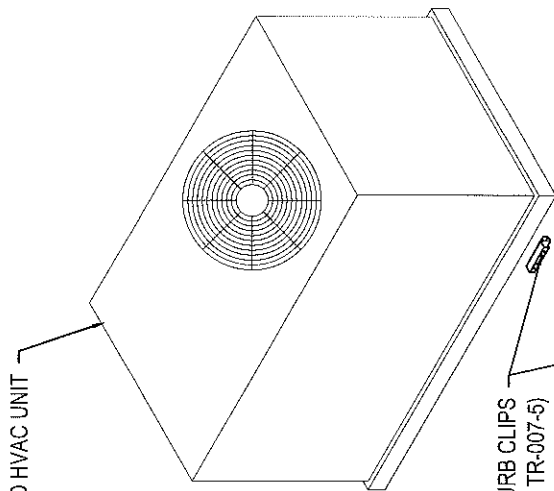
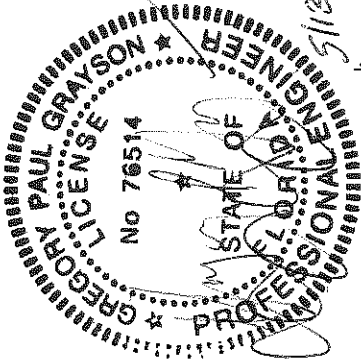
**CURBS PLUS, INC.**

8767 Alabama Hwy  
Ringgold, GA 30736  
Phone: (706) 858-1188  
Fax: (706) 866-2339  
website: www.curbs-plus.com

DWG. NO.: TR-007-4  
DATE: 12-22-15  
NUMBER: 7 OF 10  
PRODUCT NAME:  
TRANE YCD TCD 181-301B  
PROFESSIONAL ENGINEER:  
GREGORY P. GRAYSON  
DWG. REV. DATE: 4-12-16

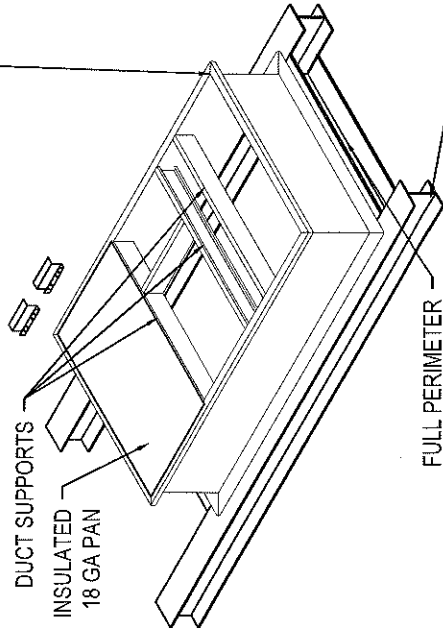


TYPICAL SECTION BB

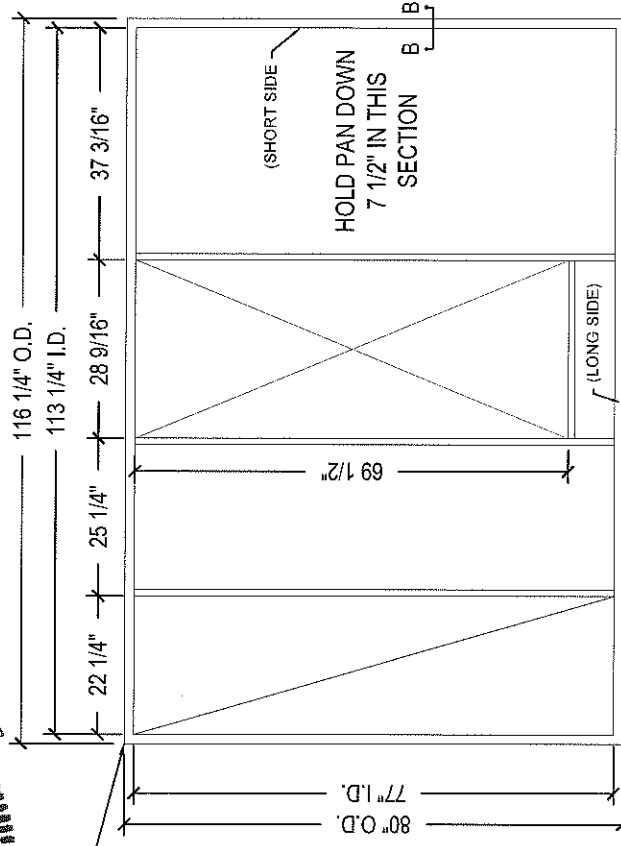


CURB CLIPS  
(SEE DWG NO. TR-007-5)

CURBS PLUS INC.  
ROOF CURB



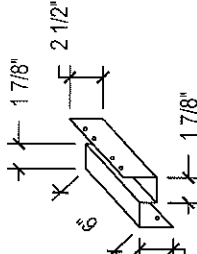
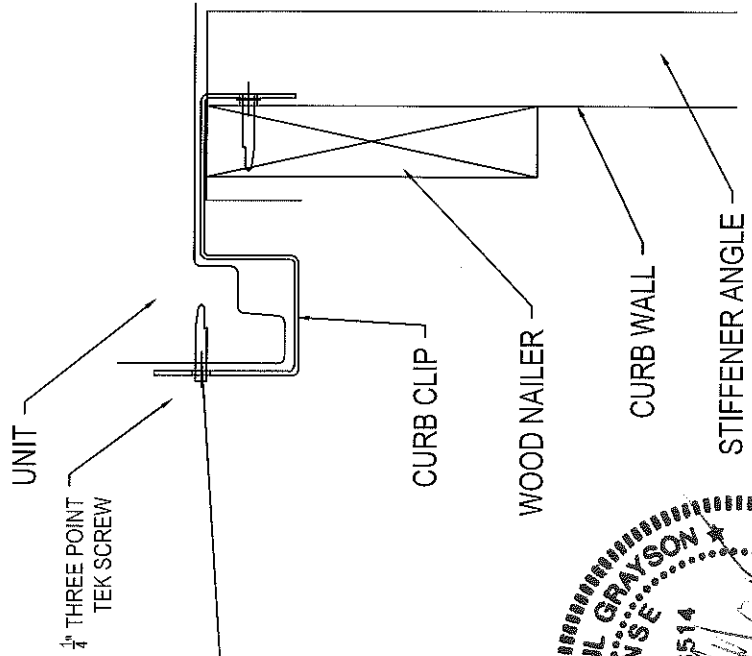
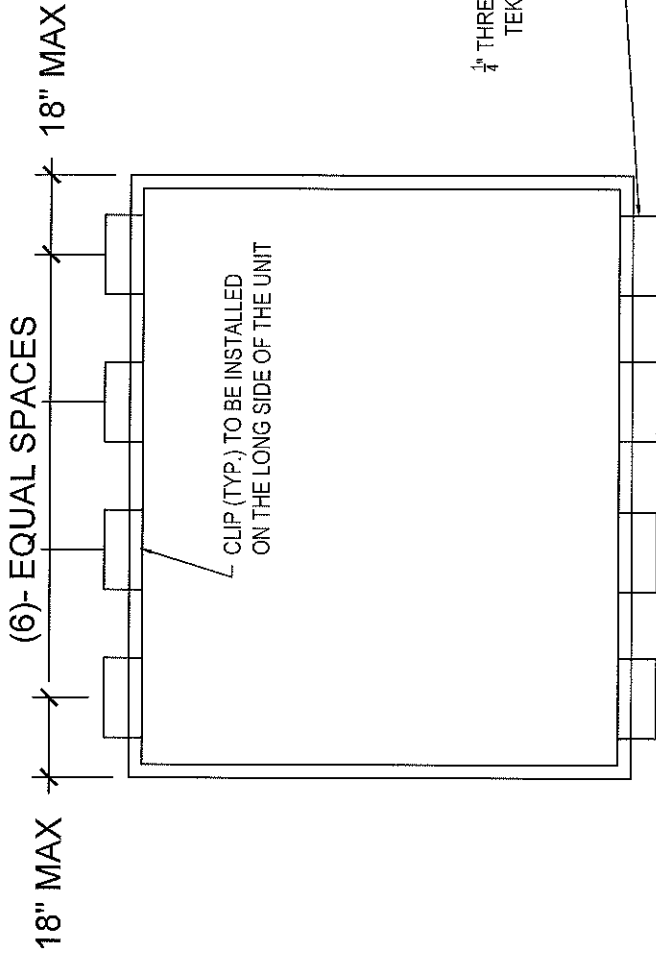
BUILDING STRUCTURE  
(-BEAMS SHOWN; STRUCTURE TYPE  
TO BE DETERMINED BY LOCAL CODE/ENGINEER  
AND TO BE PROVIDED BY OTHERS)



**CURBS PLUS, INC.**

8767 Alabama Hwy  
Ringgold, GA 30736  
Phone: (706) 858-1188  
Fax: (706) 866-2339  
website: www.curbs-plus.com

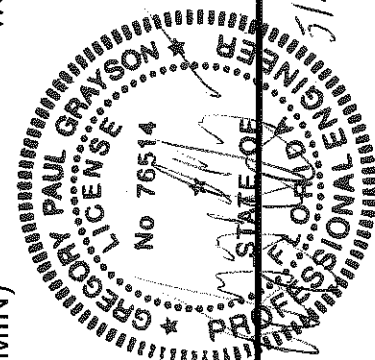
DWG. NO.: TR-007-5  
DATE: 12-22-15  
NUMBER: 7 OF 10  
PRODUCT NAME:  
TRANE YCD TCD 181-301B  
PROFESSIONAL ENGINEER:  
GREGORY P. GRAYSON  
DWG. REV. DATE: 4-12-16



(14)- CURB CLIPS MIN. PER CURB

TYPICAL CURB CLIP

CURB CLIP TO BE 12 GA STEEL CONSTRUCTION (.1017" MIN) LENGTH= 6" STEEL= 45.0 KSI (MIN.) TENSILE STRENGTH



# CURBS PLUS, INC.

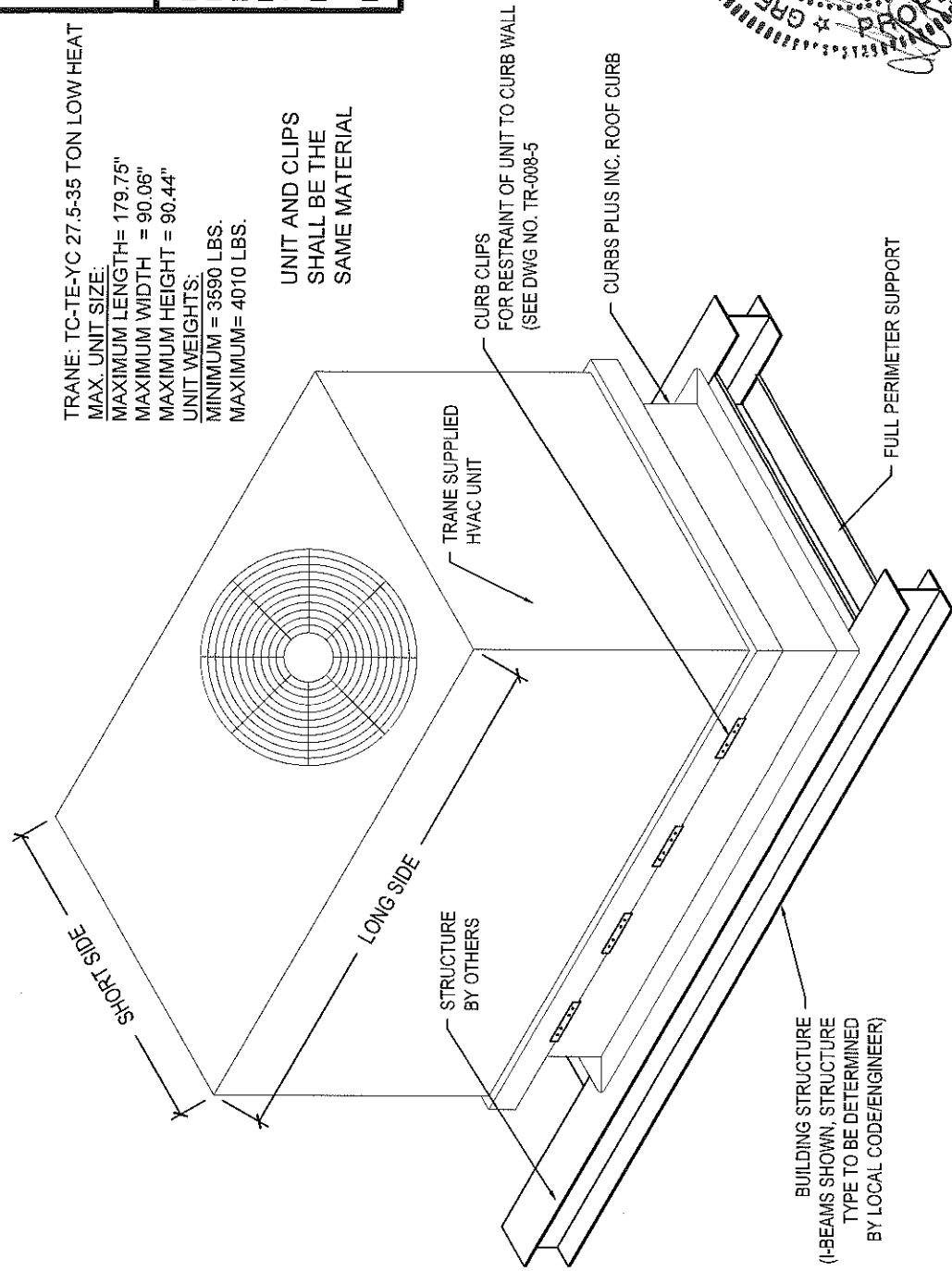
8767 Alabama Hwy  
 Ringgold, GA 30736  
 Phone: (706) 858-1188  
 Fax: (706) 866-2339  
 website: www.curbs-plus.com

DWG. NO.: TR-008-1  
 DATE: 12-22-15  
 NUMBER: 8 OF 10  
 PRODUCT NAME:  
 TRANE TC-TE-YC 27.5-35 TON  
 PROFESSIONAL ENGINEER:  
 GREGORY P. GRAYSON  
 DWG. REV. DATE: 4-12-16

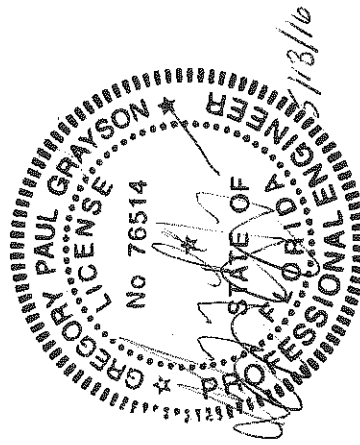
THE CURBS AND ATTACHMENT SCHEDULE SHOWN IN THESE DRAWINGS ARE APPLICABLE TO TRANE UNITS TC-TE-YC 27.5-35 TON LOW HEAT MODELS: RT-PRC033-EN, RT-SVX34G-EN

TRANE: TC-TE-YC 27.5-35 TON LOW HEAT  
 MAX. UNIT SIZE:  
 MAXIMUM LENGTH= 179.75"  
 MAXIMUM WIDTH = 90.06"  
 MAXIMUM HEIGHT = 90.44"  
 UNIT WEIGHTS:  
 MINIMUM = 3590 LBS.  
 MAXIMUM = 4010 LBS.

UNIT AND CLIPS SHALL BE THE SAME MATERIAL



- CURBS CONNECTION TO STRUCTURE**
1. WELDS: 1" WELDS AT SHORT SIDE - 18" O.C., 1" WELDS AT LONG SIDE - 3" O.C.
  2. SCREWS TO DECK: #12 TEK SCREWS @ 3" AROUND PERIMETER ( DECK IS 22 GA MINIMUM)
  3. SCREWS TO STRUCTURAL STEEL: #12 TEK SCREWS AROUND PERIMETER @ 3 1/2" O.C. (STRUCTURE IS 3/16" MIN)
  4. DRIVE PINS IN LW CONCRETE: 3/8" DIA. DRIVE PINS W/1" EMBEDMENT @ 2 1/2" O.C. AROUND PERIMETER (MIN. 3000 PSI STRUCTURAL LIGHTWEIGHT CONCRETE)



# CURBS PLUS, INC.

8767 Alabama Hwy  
 Ringgold, GA 30736  
 Phone: (706) 858-1188  
 Fax: (706) 866-2339  
 website: www.curbs-plus.com

DWG. NO.: TR-008-2

DATE: 12-22-15

NUMBER: 8 OF 10

PRODUCT NAME:

TRANE TC-TE-YC 27.5-35 TON

PROFESSIONAL ENGINEER:

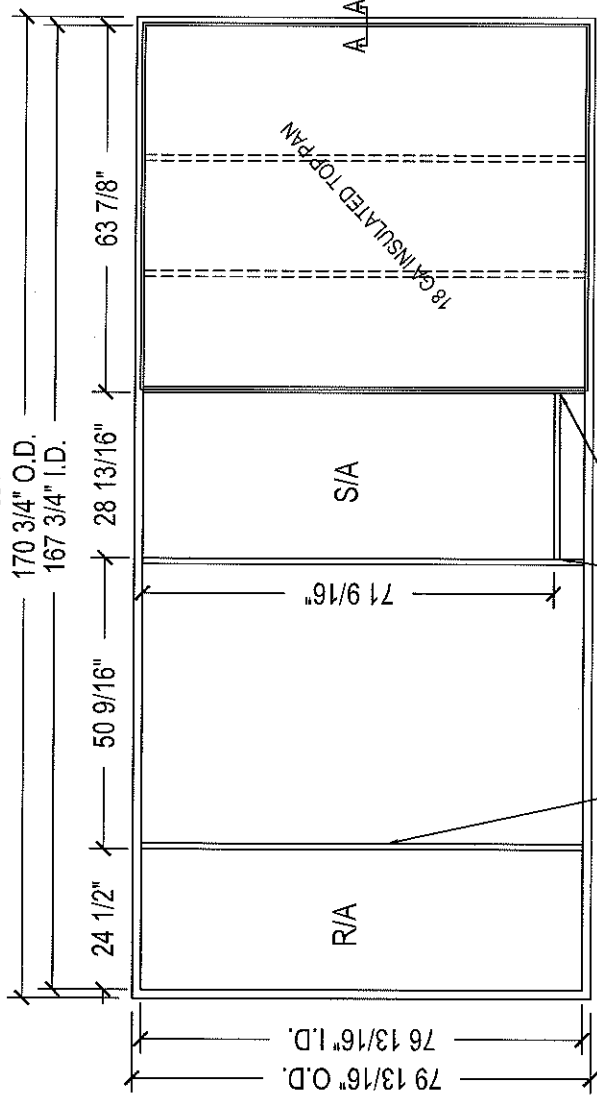
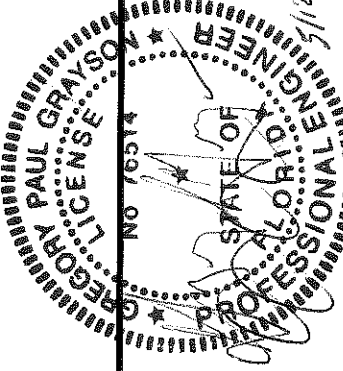
GREGORY P. GRAYSON

DWG. REV. DATE: 4-12-16

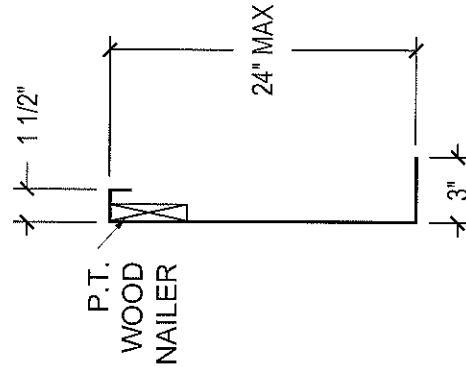
## CPC-4 (Uninsulated), Conventional Roof Curb

### STANDARD FEATURES

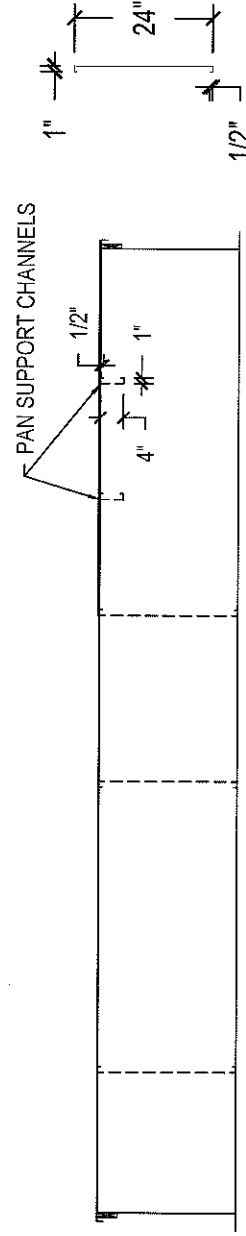
1. 14 Ga. Galvanized Steel Construction (0.078125" MIN).
2. Fully Welded One-Piece Construction.
3. Curbs Prime Painted after Fabrication.
4. Pressure-Treated 1x4 Wood Nailers.
5. No Insulation.



WELD 1"x1" ANGLES TO CURB WALL ON  
 18" CENTERS, ADD 1 ANGLE IN EACH CORNER



DUCT SUPPORTS CONSTRUCTED  
 FROM 14 GA GALVANIZED STEEL



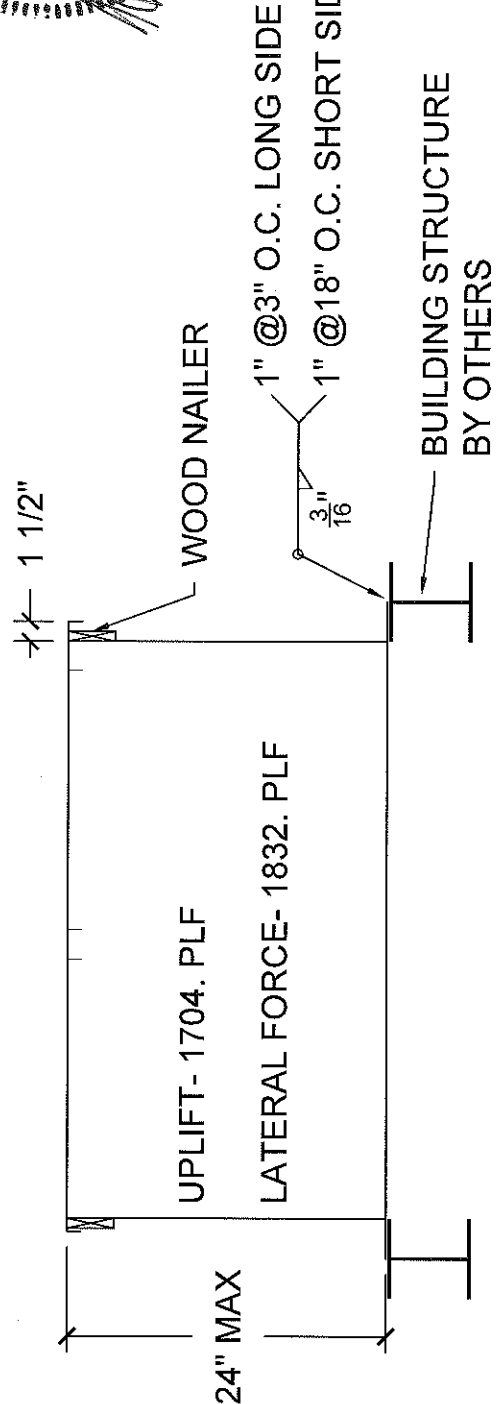
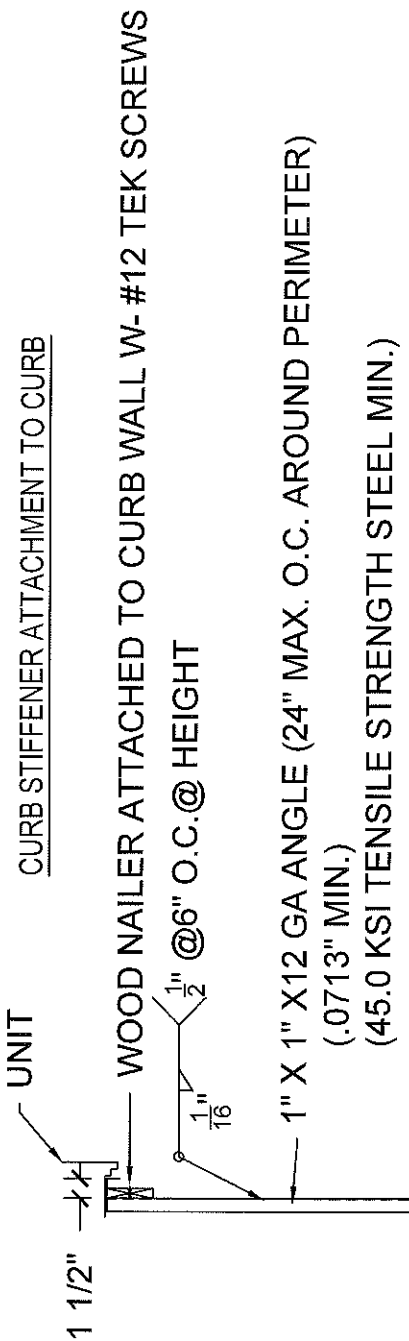
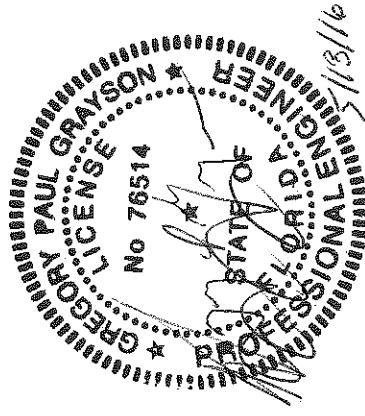
DUCT SUPPORT DETAIL

TYPICAL SECTION AA

**CURBS PLUS, INC.**

8767 Alabama Hwy  
 Ringgold, GA 30736  
 Phone: (706) 858-1188  
 Fax: (706) 866-2339  
 website: www.curbs-plus.com

DWG. NO.: TR-008-3  
 DATE: 12-22-15  
 NUMBER: 8 OF 10  
 PRODUCT NAME:  
 TRANE TC-TE-YC 27.5-35 TON  
 PROFESSIONAL ENGINEER:  
 GREGORY P. GRAYSON  
 DWG. REV. DATE: 4-12-16





# CURBS PLUS, INC.

8767 Alabama Hwy  
 Ringgold, GA 30736  
 Phone: (706) 858-1188  
 Fax: (706) 866-2339  
 website: www.curbs-plus.com

DWG. NO.: TR-008-4

DATE: 12-22-15

NUMBER: 8 OF 10

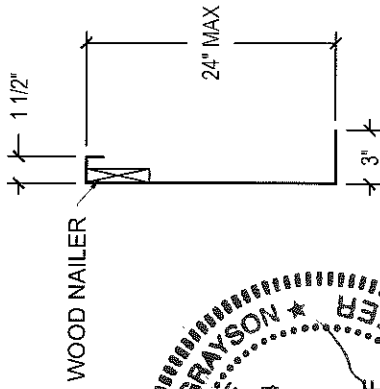
PRODUCT NAME:

TRANE TC-TE-YC 27.5-35 TON

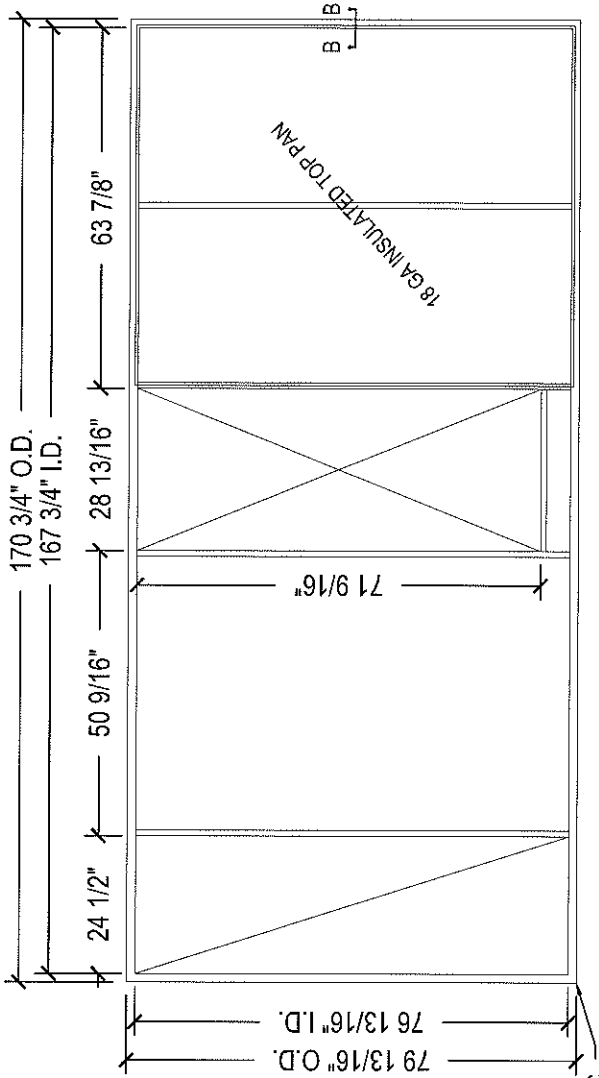
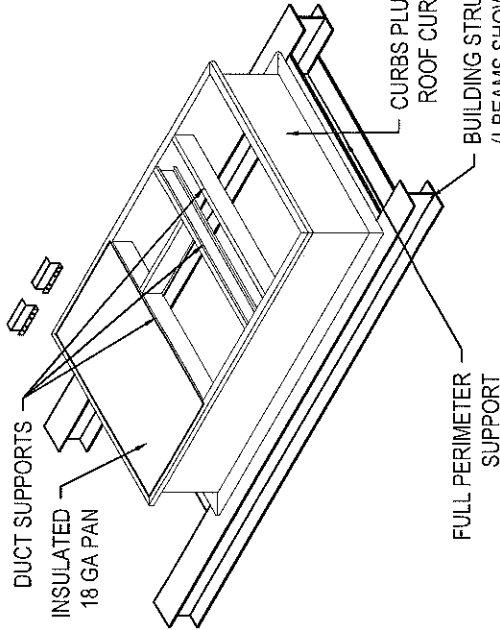
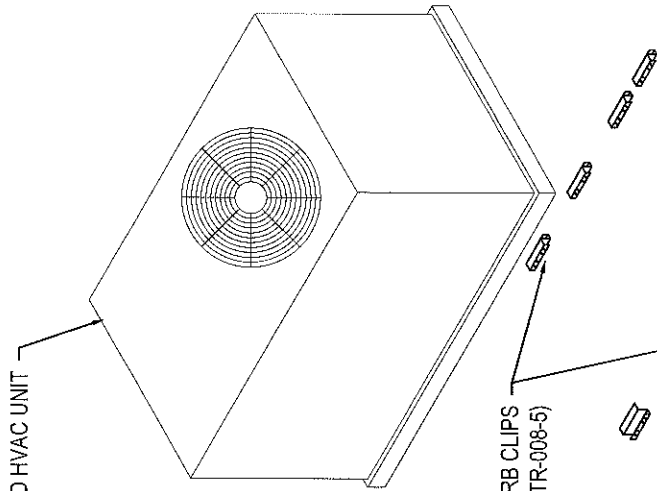
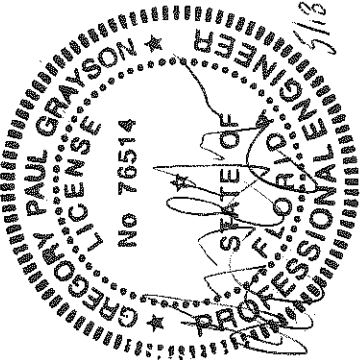
PROFESSIONAL ENGINEER:

GREGORY P. GRAYSON

DWG. REV. DATE: 4-12-16



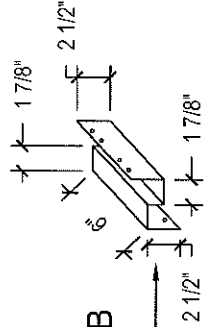
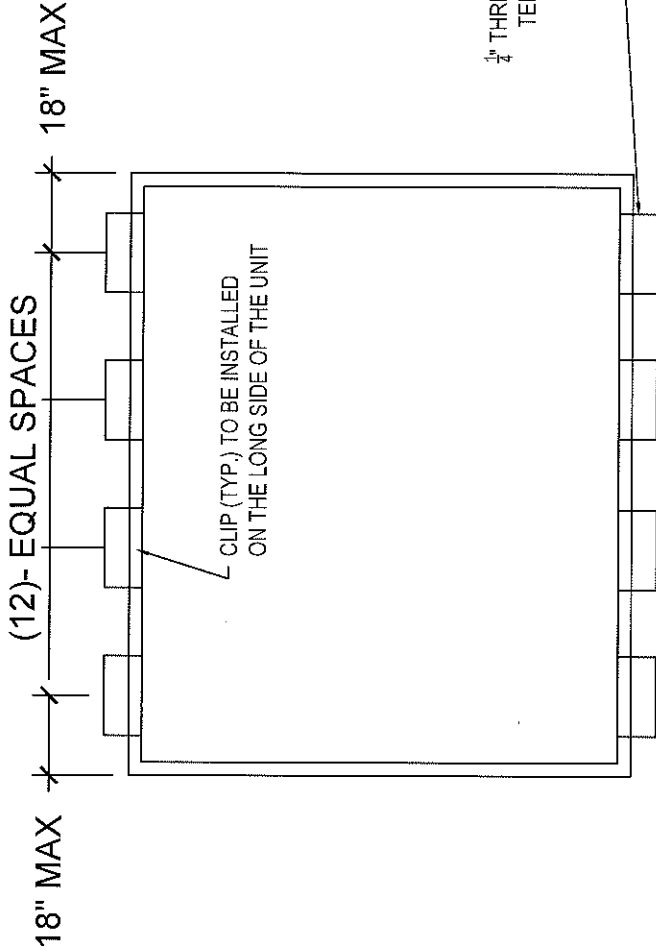
TYPICAL SECTION BB



# CURBS PLUS, INC.

8767 Alabama Hwy  
Ringgold, GA 30736  
Phone: (706) 858-1188  
Fax: (706) 866-2339  
website: www.curbs-plus.com

DWG. NO.: TR-008-5  
DATE: 12-22-15  
NUMBER: 8 OF 10  
PRODUCT NAME:  
TRANE TC-TE-YC 27.5-35 TON  
PROFESSIONAL ENGINEER:  
GREGORY P. GRAYSON  
DWG. REV. DATE: 4-12-16

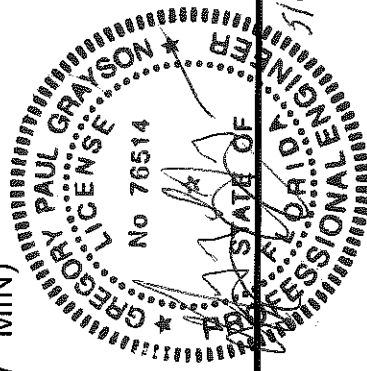
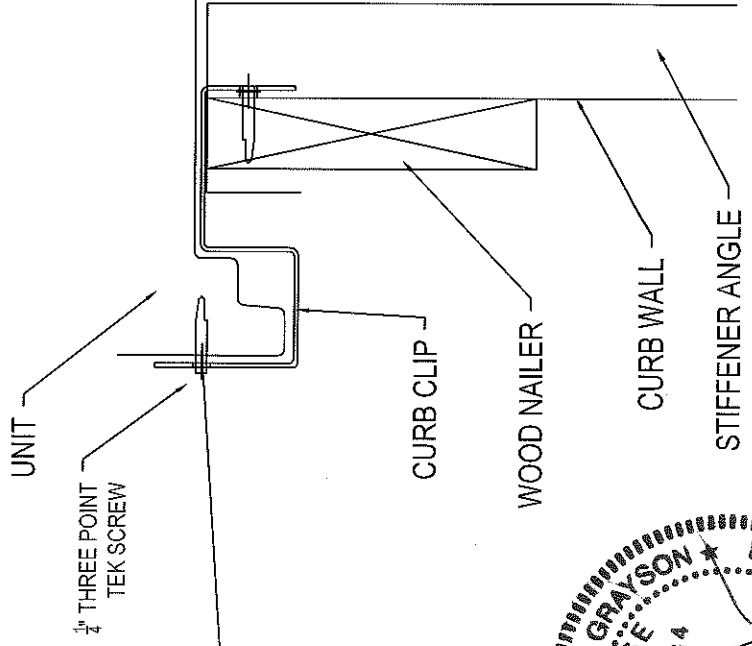


(26)- CURB CLIPS MIN. PER CURB

TYPICAL CURB CLIP

CURB CLIP TO BE 12 GA STEEL CONSTRUCTION (.1017" MIN) LENGTH= 6"

STEEL= 45.0 KSI (MIN.) TENSILE STRENGTH



THE CURBS AND ATTACHMENT SCHEDULE SHOWN IN THESE DRAWINGS ARE APPLICABLE TO TRANE UNITS YCD27.5-35 TON HIGH HEAT MODELS: RT-PRC033-EN,RT-SVX34G-EN

# CURBS PLUS, INC.

8767 Alabama Hwy  
Ringgold, GA 30736  
Phone: (706) 858-1188  
Fax: (706) 866-2339  
website: www.curbs-plus.com

DWG. NO.: TR-009-1

DATE: 12-22-15

NUMBER: 9 OF 10

PRODUCT NAME:

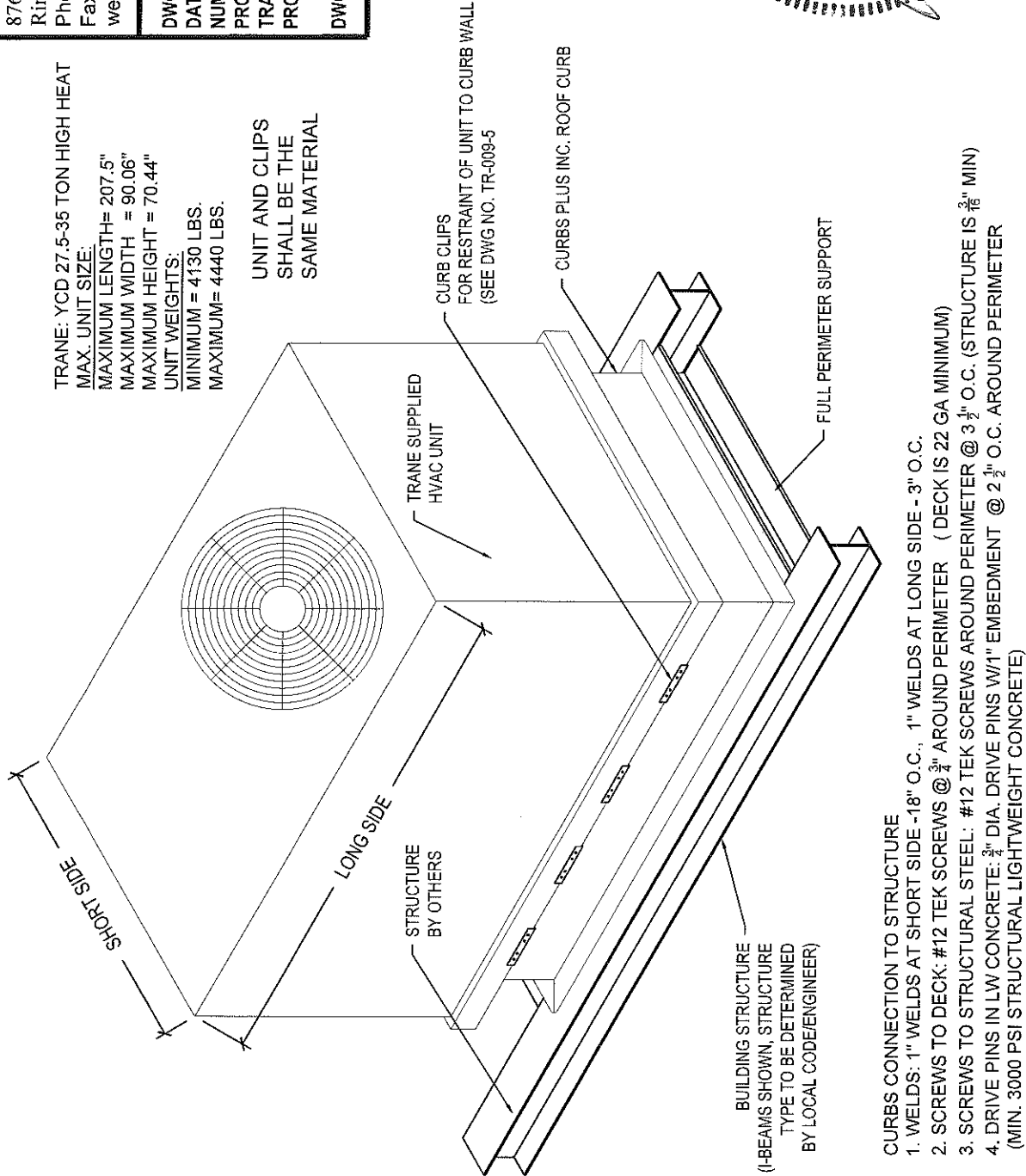
TRANE YCD 27.5-35 TON HIGH HEAT  
PROFESSIONAL ENGINEER:

GREGORY P. GRAYSON

DWG. REV. DATE: 4-12-16

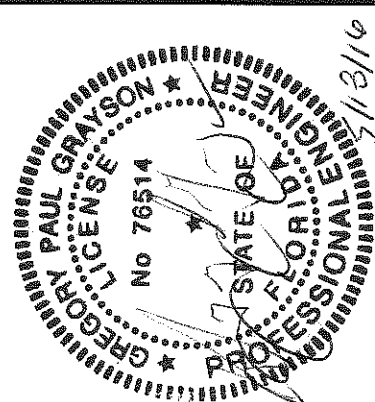
TRANE: YCD 27.5-35 TON HIGH HEAT  
MAX. UNIT SIZE:  
MAXIMUM LENGTH= 207.5"  
MAXIMUM WIDTH = 90.06"  
MAXIMUM HEIGHT = 70.44"  
UNIT WEIGHTS:  
MINIMUM = 4130 LBS.  
MAXIMUM= 4440 LBS.

UNIT AND CLIPS  
SHALL BE THE  
SAME MATERIAL



### CURBS CONNECTION TO STRUCTURE

1. WELDS: 1" WELDS AT SHORT SIDE -18" O.C., 1" WELDS AT LONG SIDE - 3" O.C.
2. SCREWS TO DECK: #12 TEK SCREWS @ 3" AROUND PERIMETER ( DECK IS 22 GA MINIMUM)
3. SCREWS TO STRUCTURAL STEEL: #12 TEK SCREWS AROUND PERIMETER @ 3 1/2" O.C. (STRUCTURE IS 3/16" MIN)
4. DRIVE PINS IN LW CONCRETE: 3/4" DIA. DRIVE PINS W/1" EMBEDMENT @ 2 1/2" O.C. AROUND PERIMETER (MIN. 3000 PSI STRUCTURAL LIGHTWEIGHT CONCRETE)



**CPC-4 (Uninsulated) Conventional Roof Curb**

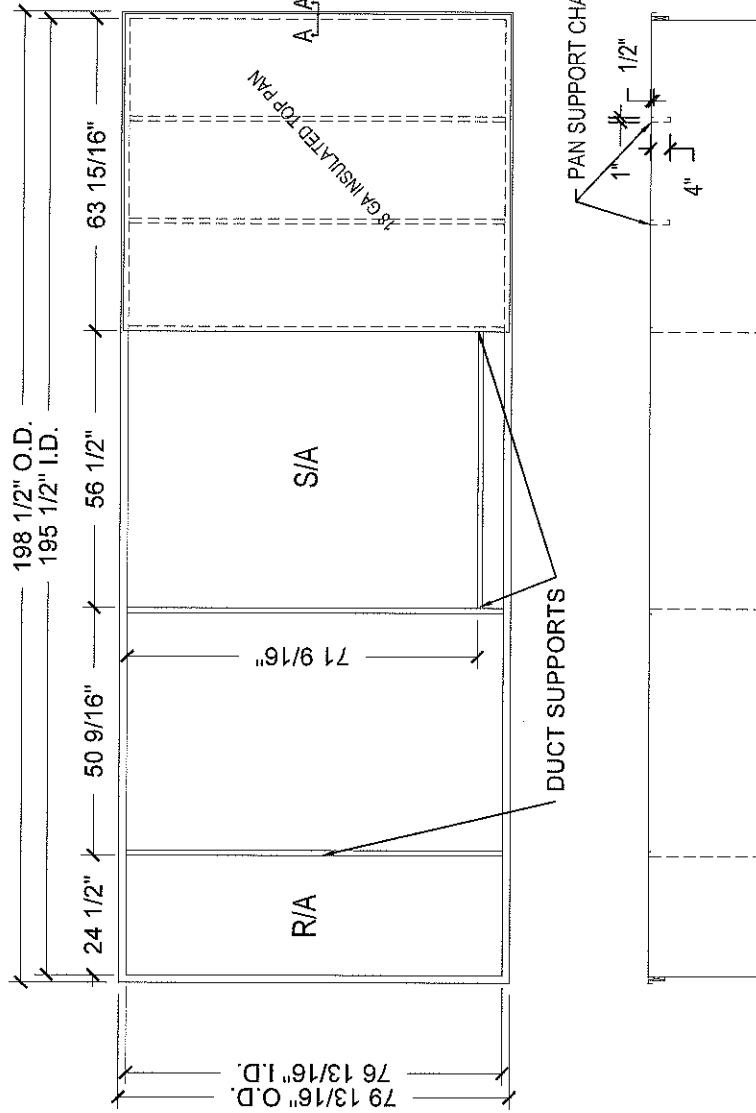
**STANDARD FEATURES**

1. 14 Ga. Galvanized Steel Construction (0.078125" MIN).
2. Fully Welded One-Piece Construction
3. Curbs Prime Painted after Fabrication.
4. Pressure-Treated 1x4 Wood Nailer.
5. No Insulation.

**CURBS PLUS, INC.**

8767 Alabama Hwy  
 Ringgold, GA 30736  
 Phone: (706) 858-1188  
 Fax: (706) 866-2339  
 website: www.curbs-plus.com

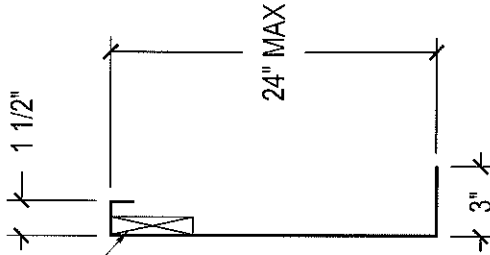
DWG. NO.: TR-009-2  
 DATE: 12-22-15  
 NUMBER: 9 OF 10  
 PRODUCT NAME:  
 TRANE YCD 27.5-35 TON HIGH HEAT  
 PROFESSIONAL ENGINEER:  
 GREGORY P. GRAYSON  
 DWG. REV. DATE: 4-12-16



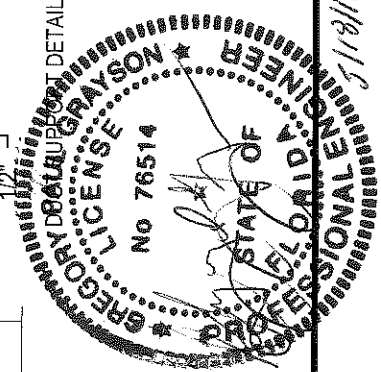
WELD 1"x1" ANGLES TO CURB WALL ON  
 24" CENTERS, AND 1 ANGLE IN EACH CORNER

DUCT SUPPORTS CONSTRUCTED  
 FROM 14 GA GALVANIZED STEEL

P.T.  
 WOOD  
 NAILER



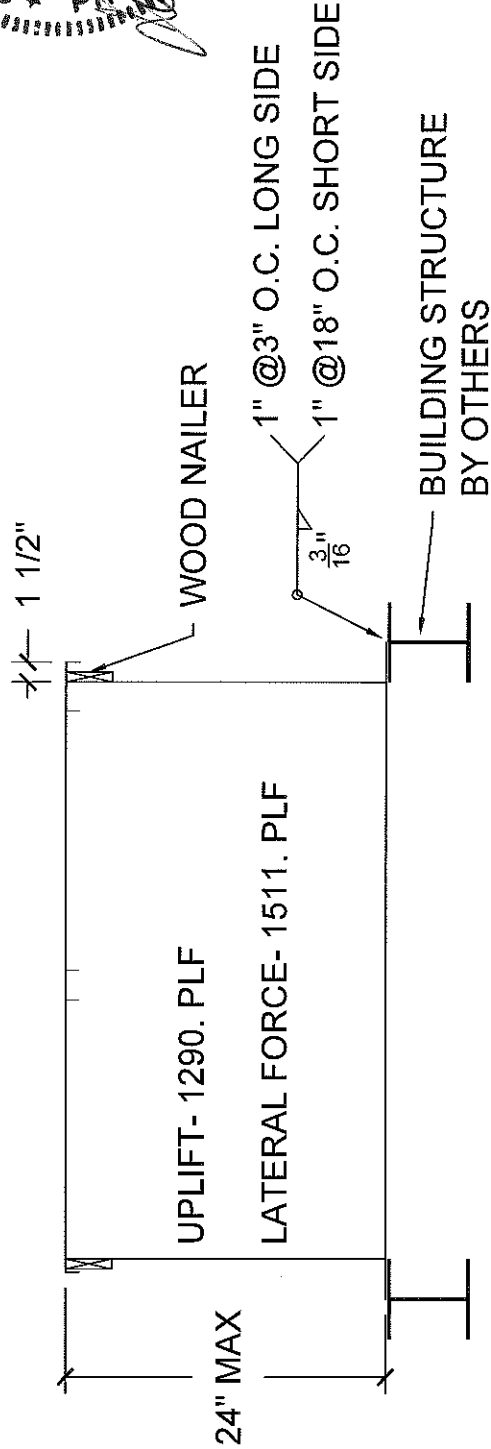
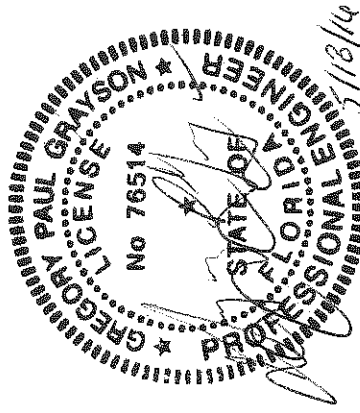
TYPICAL SECTION AA



**CURBS PLUS, INC.**

8767 Alabama Hwy  
 Ringgold, GA 30736  
 Phone: (706) 858-1188  
 Fax: (706) 866-2339  
 website: www.curbs-plus.com

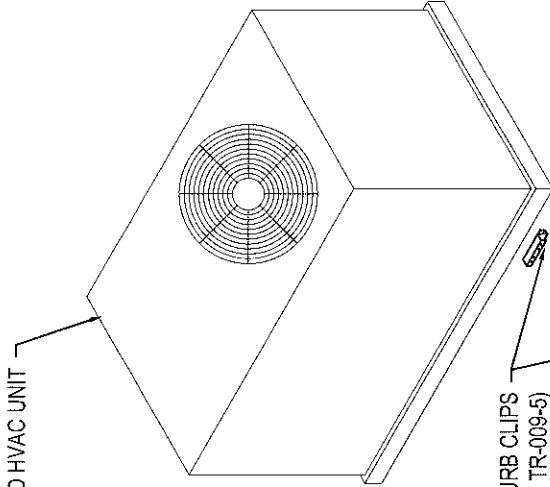
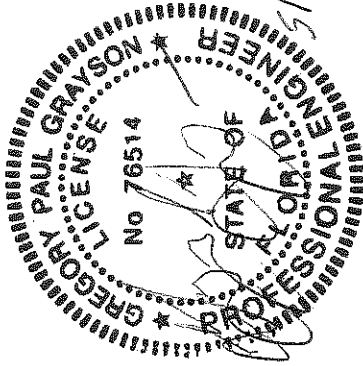
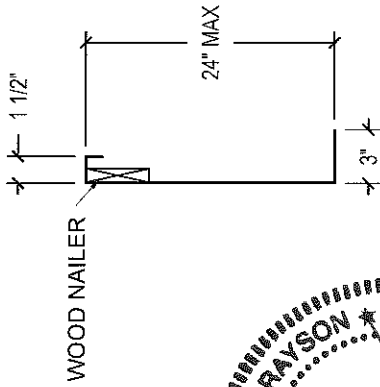
DWG. NO.: TR-009-3  
 DATE: 12-22-15  
 NUMBER: 9 OF 10  
 PRODUCT NAME:  
 TRANE YCD 27.5-35 TON HIGH HEAT  
 PROFESSIONAL ENGINEER:  
 GREGORY P. GRAYSON  
 DWG. REV. DATE: 4-12-16



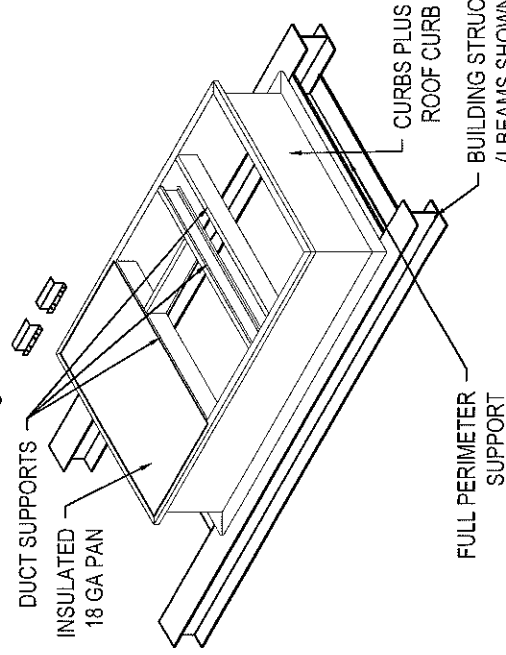
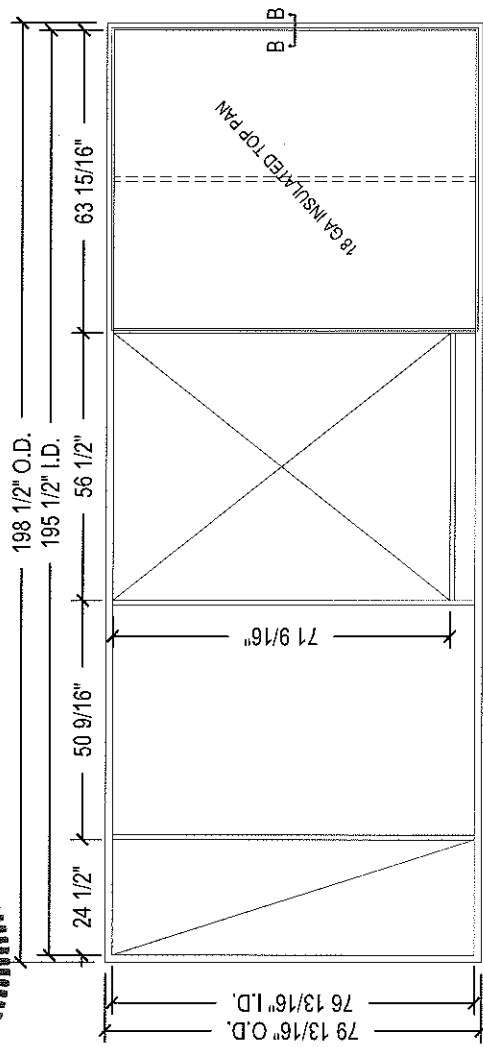
**CURBS PLUS, INC.**

8767 Alabama Hwy  
 Ringgold, GA 30736  
 Phone: (706) 858-1188  
 Fax: (706) 866-2339  
 website: www.curbs-plus.com

DWG. NO.: TR-009-4  
 DATE: 12-22-15  
 NUMBER: 9 OF 10  
 PRODUCT NAME:  
 TRANE YCD 27.5-35 TON HIGH HEAT  
 PROFESSIONAL ENGINEER:  
 GREGORY P. GRAYSON  
 DWG. REV. DATE: 4-12-16



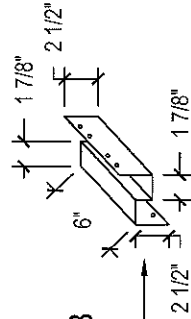
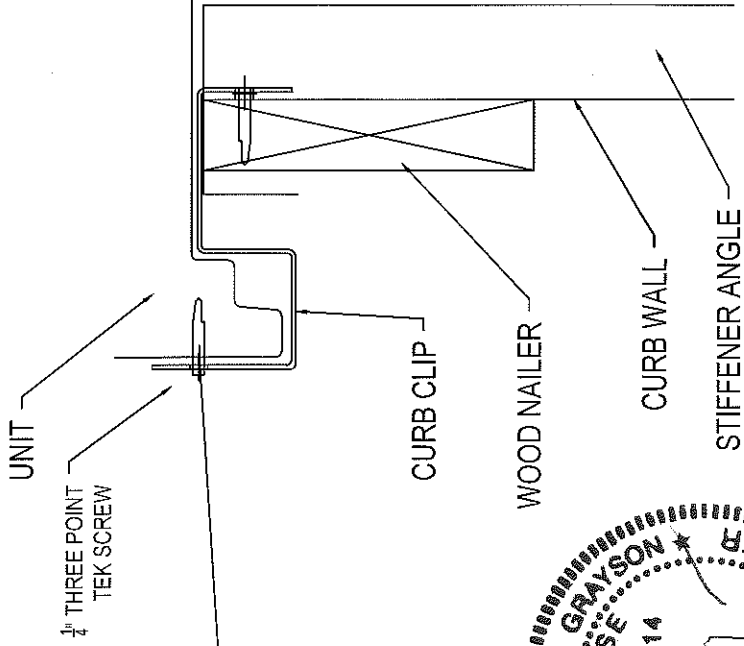
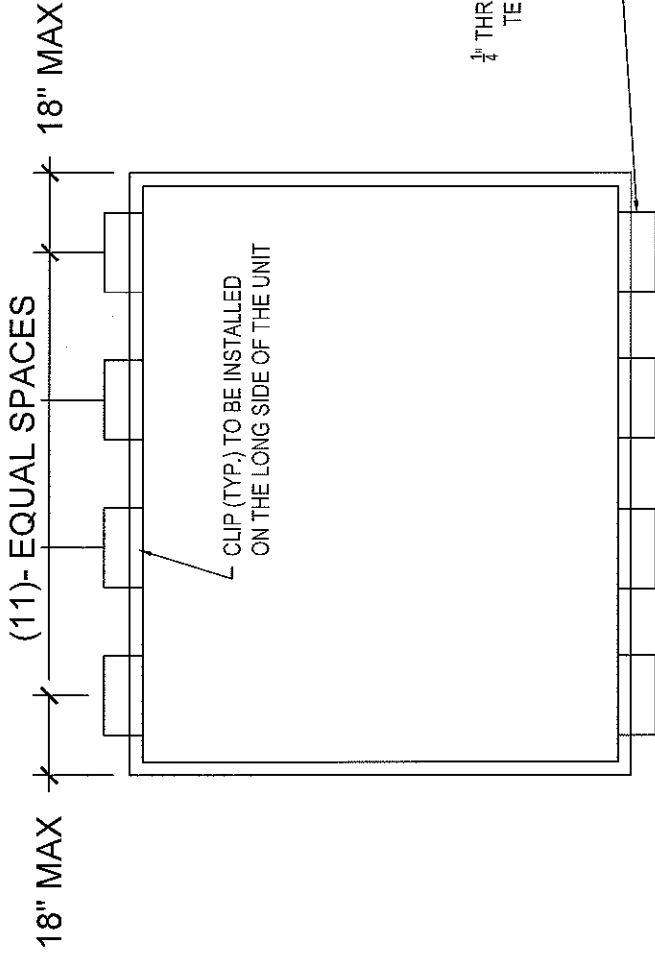
CURB CLIPS  
 (SEE DWG NO. TR-009-5)



**CURBS PLUS, INC.**

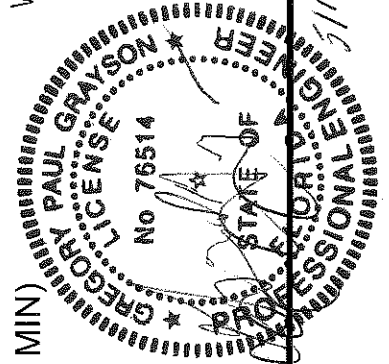
8767 Alabama Hwy  
 Ringgold, GA 30736  
 Phone: (706) 858-1188  
 Fax: (706) 866-2339  
 website: www.curbs-plus.com

DWG. NO.: TR-009-5  
 DATE: 12-22-15  
 NUMBER: 9 OF 10  
 PRODUCT NAME:  
 TRANE YCD 27.5-35 TON HIGH HEAT  
 PROFESSIONAL ENGINEER:  
 GREGORY P. GRAYSON  
 DWG. REV. DATE: 4-12-16



(24)- CURB CLIPS MIN. PER CURB  
 TYPICAL CURB CLIP

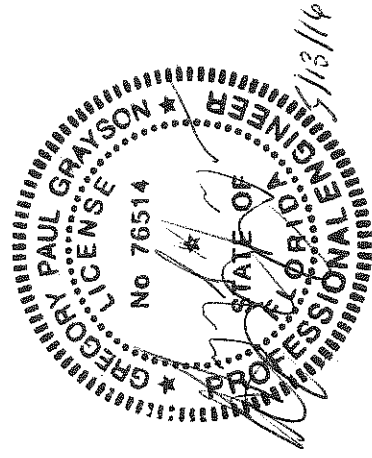
CURB CLIP TO BE 12 GA STEEL CONSTRUCTION (.1017" MIN)  
 LENGTH= 6"  
 STEEL= 45.0 KSI (MIN.) TENSILE STRENGTH



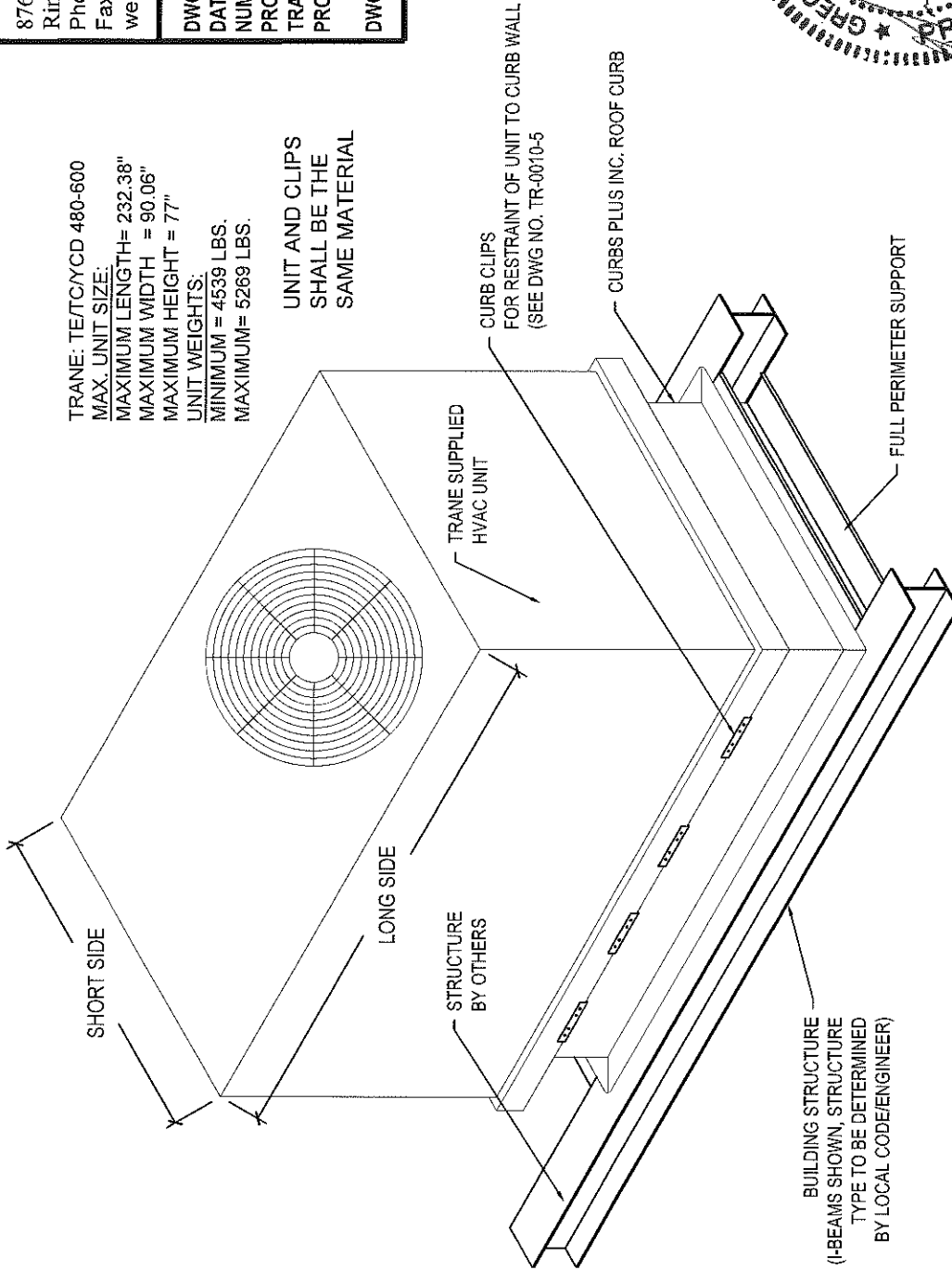
# CURBS PLUS, INC.

8767 Alabama Hwy  
 Ringgold, GA 30736  
 Phone: (706) 858-1188  
 Fax: (706) 866-2339  
 website: www.curbs-plus.com

DWG. NO.: TR-010-1  
 DATE: 12-22-15  
 NUMBER: 10 OF 10  
 PRODUCT NAME:  
 TRANE TE/TC/YCD 480-600  
 PROFESSIONAL ENGINEER:  
 GREGORY P. GRAYSON  
 DWG. REV. DATE: 4-12-16



THE CURBS AND ATTACHMENT SCHEDULE SHOWN IN THESE DRAWINGS ARE APPLICABLE TO TRANE UNITS TE/TC/YCD 480-600 MODELS: RT-PRC033-EN, RT-SVX34G-EN



TRANE: TE/TC/YCD 480-600  
 MAX. UNIT SIZE:  
 MAXIMUM LENGTH= 232.38"  
 MAXIMUM WIDTH = 90.06"  
 MAXIMUM HEIGHT = 77"  
 UNIT WEIGHTS:  
 MINIMUM = 4539 LBS.  
 MAXIMUM = 5269 LBS.

UNIT AND CLIPS SHALL BE THE SAME MATERIAL

- CURBS CONNECTION TO STRUCTURE**
1. WELDS: 1" WELDS AT SHORT SIDE -18" O.C., 1" WELDS AT LONG SIDE - 3" O.C.
  2. SCREWS TO DECK: #12 TEK SCREWS @ 3" AROUND PERIMETER ( DECK IS 22 GA MINIMUM)
  3. SCREWS TO STRUCTURAL STEEL: #12 TEK SCREWS AROUND PERIMETER @ 3 1/2" O.C. (STRUCTURE IS 3/16" MIN)
  4. DRIVE PINS IN LW CONCRETE: 3/8" DIA. DRIVE PINS W/1" EMBEDMENT @ 2 1/2" O.C. AROUND PERIMETER (MIN. 3000 PSI STRUCTURAL LIGHTWEIGHT CONCRETE)



**CPC-4 (Uninsulated) Conventional Roof Curb**

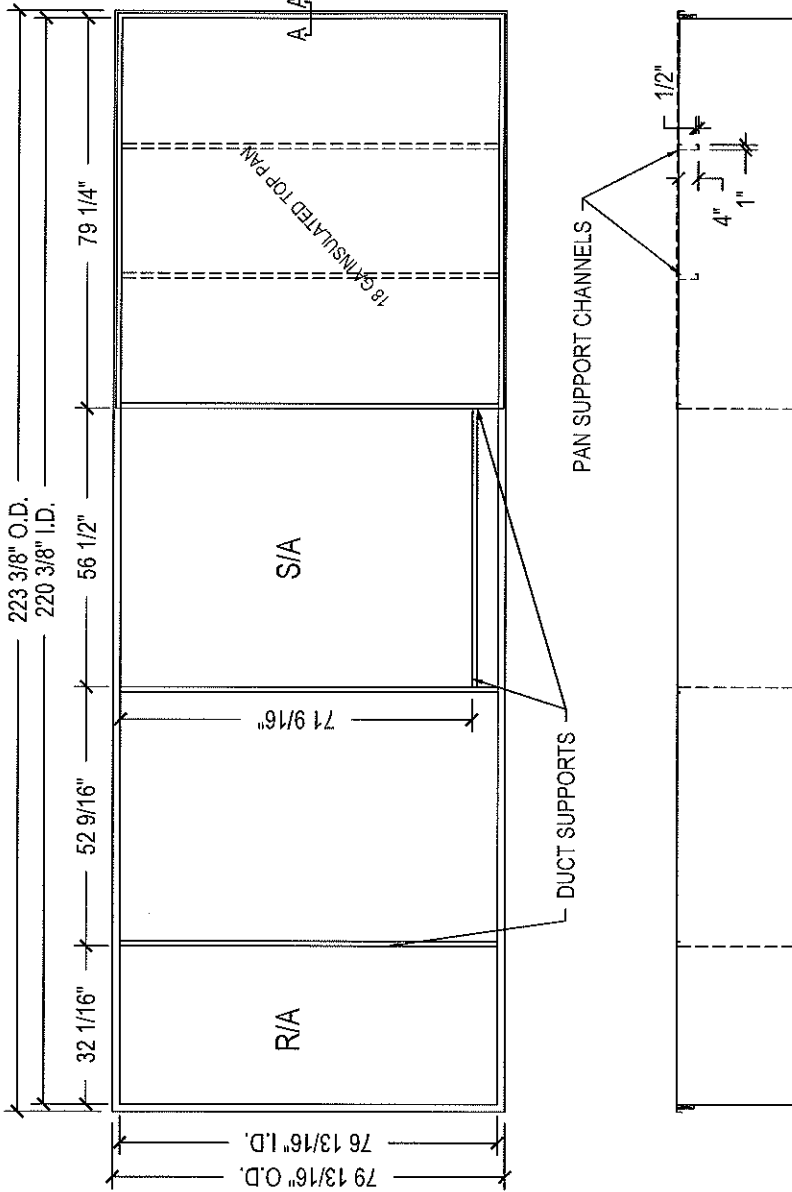
**STANDARD FEATURES**

1. 14 Ga. Galvanized Steel Construction (0.078125" MIN).
2. Fully Welded One-Piece Construction
3. Curbs Prime Painted after Fabrication.
4. Pressure-Treated 1x4 Wood Nailers.
5. No Insulation.

**CURBS PLUS, INC.**

8767 Alabama Hwy  
 Ringgold, GA 30736  
 Phone: (706) 858-1188  
 Fax: (706) 866-2339  
 website: www.curbs-plus.com

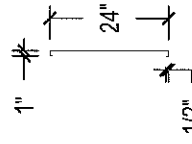
DWG. NO.: TR-010-2  
 DATE: 12-22-15  
 NUMBER: 10 OF 10  
 PRODUCT NAME:  
 FRAME TE/TC/YCD 480-600  
 PROFESSIONAL ENGINEER:  
 GREGORY P. GRAYSON  
 DWG. REV. DATE: 4-12-16



WELD 1\"X1\" ANGLES TO CURB WALL ON  
 18\" CENTERS, ADD 1 ANGLE IN EACH CORNER

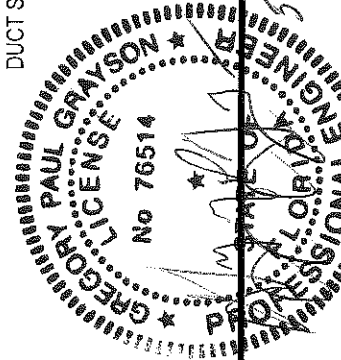
DUCT SUPPORTS CONSTRUCTED  
 FROM 14 GA GALVANIZED STEEL

P.T.  
 WOOD  
 NAILER



DUCT SUPPORT DETAIL

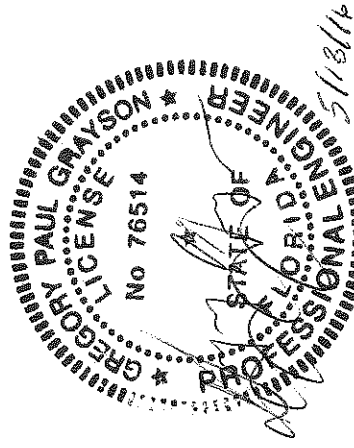
TYPICAL SECTION AA



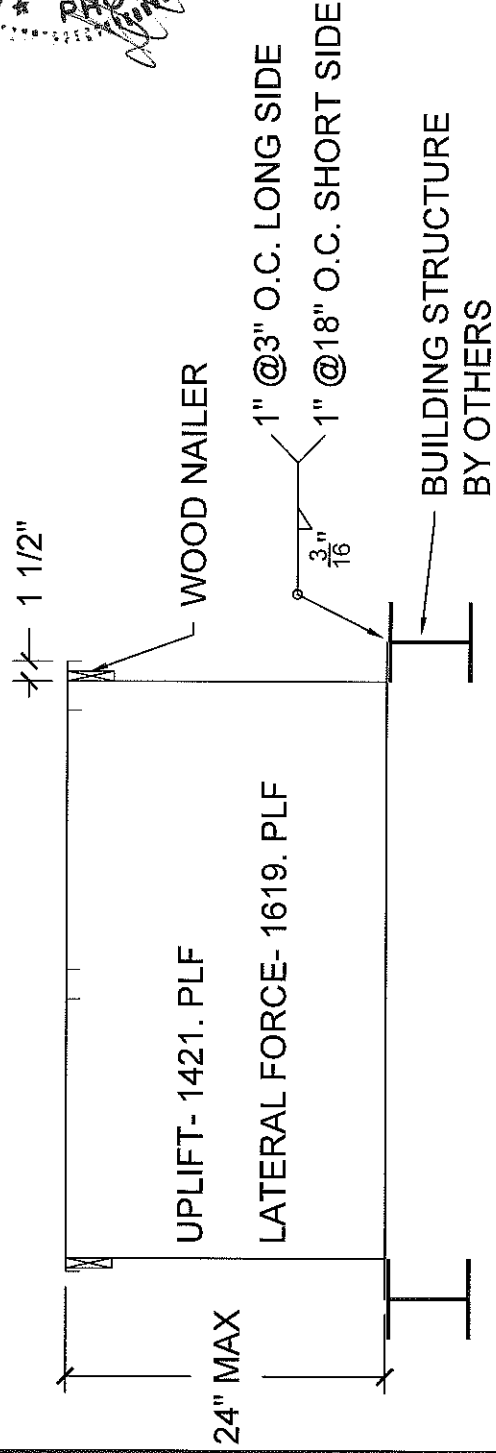
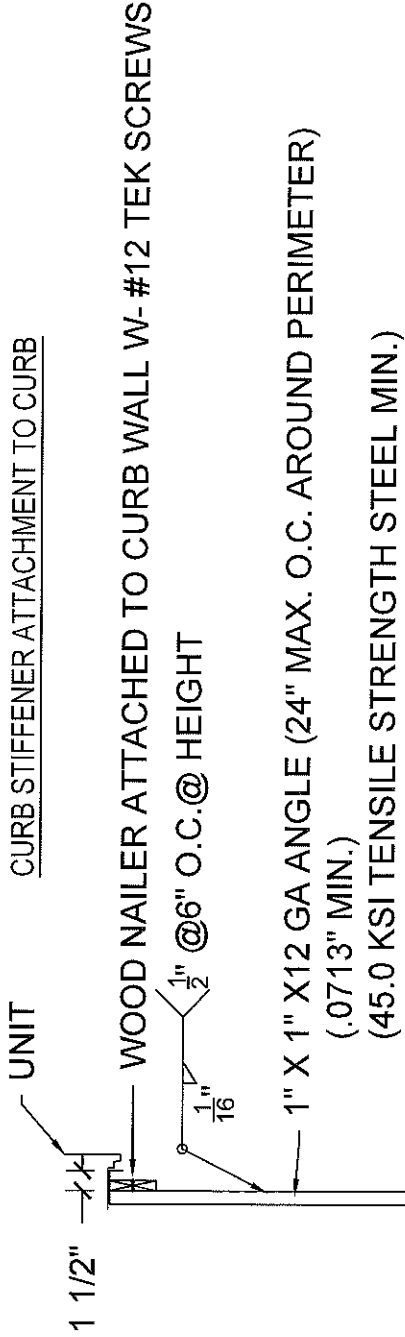
**CURBS PLUS, INC.**

8767 Alabama Hwy  
Ringgold, GA 30736  
Phone: (706) 858-1188  
Fax: (706) 866-2339  
website: www.curbs-plus.com

DWG. NO.: TR-010-3  
DATE: 12-22-15  
NUMBER: 10 OF 10  
PRODUCT NAME:  
TRANE TE/TC/YCD 480-600  
PROFESSIONAL ENGINEER:  
GREGORY P. GRAYSON  
DWG. REV. DATE: 4-12-16



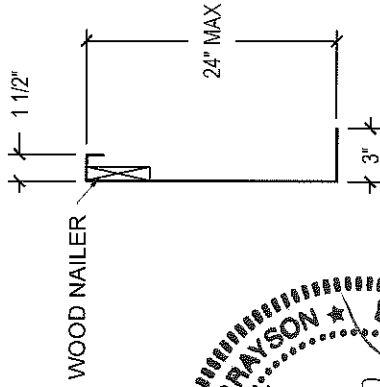
CURB STIFFENER ATTACHMENT TO CURB



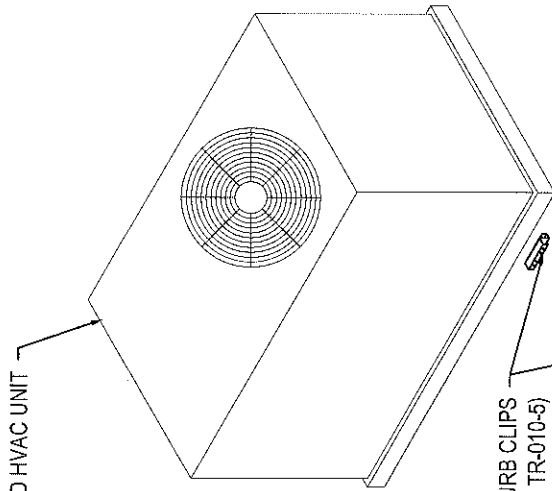
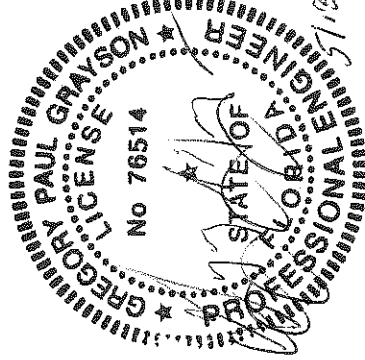
# CURBS PLUS, INC.

8767 Alabama Hwy  
 Ringgold, GA 30736  
 Phone: (706) 858-1188  
 Fax: (706) 866-2339  
 website: www.curbs-plus.com

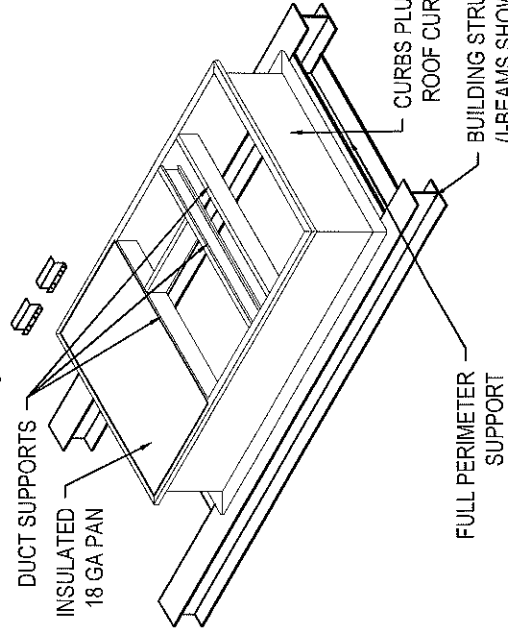
DWG. NO.: TR-010-4  
 DATE: 12-22-15  
 NUMBER: 10 OF 10  
 PRODUCT NAME:  
 TRANE TE/T/C/YCD 480-600  
 PROFESSIONAL ENGINEER:  
 GREGORY P. GRAYSON  
 DWG. REV. DATE: 4-12-16



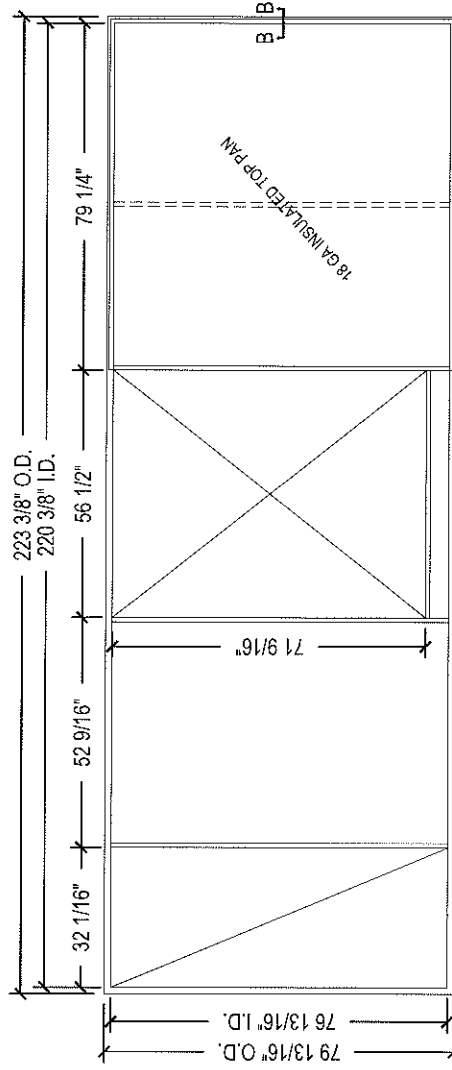
TYPICAL SECTION BB



CURB CLIPS  
 (SEE DWG NO. TR-010-5)



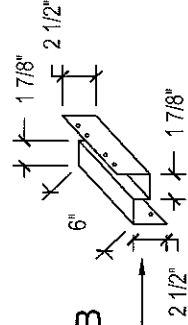
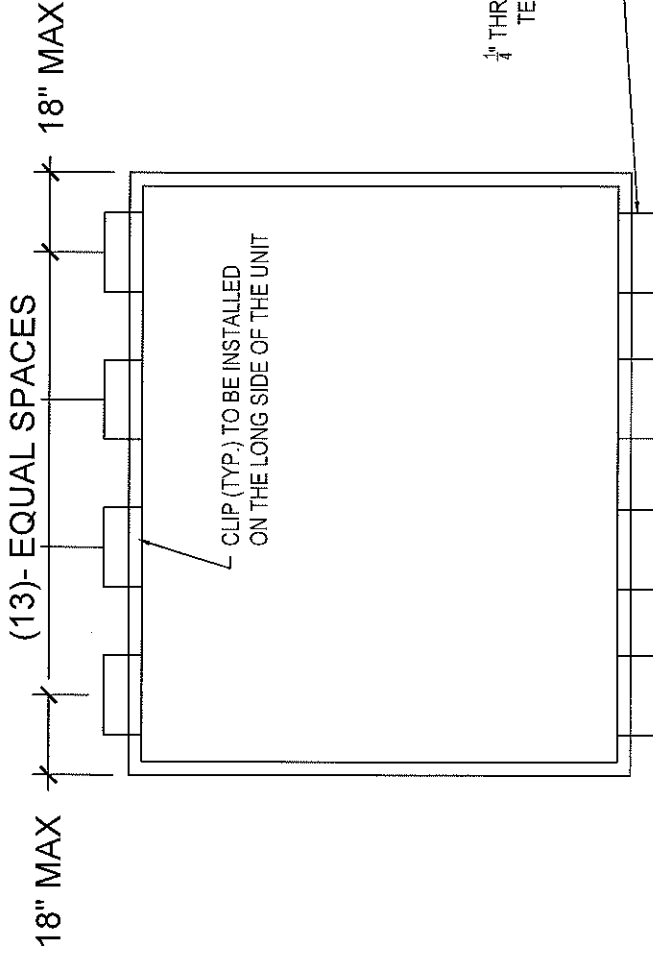
(-BEAMS SHOWN, STRUCTURE TYPE TO BE DETERMINED BY LOCAL CODE/ENGINEER AND TO BE PROVIDED BY OTHERS)



**CURBS PLUS, INC.**

8767 Alabama Hwy  
 Ringgold, GA 30736  
 Phone: (706) 858-1188  
 Fax: (706) 866-2339  
 website: www.curbs-plus.com

DWG. NO.: TR-010-5  
 DATE: 12-22-15  
 NUMBER: 10 OF 10  
 PRODUCT NAME:  
 TRANE TE/TC/YCD 480-600  
 PROFESSIONAL ENGINEER:  
 GREGORY P. GRAYSON  
 DWG. REV. DATE: 4-12-16



(28)- CURB CLIPS MIN. PER CURB  
 TYPICAL CURB CLIP

CURB CLIP TO BE 12 GA STEEL CONSTRUCTION (.1017" MIN) LENGTH= 6"  
 STEEL= 45.0 KSI (MIN.) TENSILE STRENGTH

