



DEPARTMENT OF REGULATORY AND ECONOMIC RESOURCES (RER)
BOARD AND CODE ADMINISTRATION DIVISION

MIAMI-DADE COUNTY
PRODUCT CONTROL SECTION
11805 SW 26 Street, Room 208
T (786) 315-2590 F (786) 315-2599

www.miamidade.gov/economy

NOTICE OF ACCEPTANCE (NOA)

Eco Window Systems, LLC
9114 NW 106 Street
Medley, FL 33178

SCOPE:

This NOA is being issued under the applicable rules and regulations governing the use of construction materials. The documentation submitted has been reviewed and accepted by Miami-Dade County RER - Product Control Section to be used in Miami Dade County and other areas where allowed by the Authority Having Jurisdiction (AHJ).

This NOA shall not be valid after the expiration date stated below. The Miami-Dade County Product Control Section (In Miami Dade County) and/or the AHJ (in areas other than Miami Dade County) reserve the right to have this product or material tested for quality assurance purposes. If this product or material fails to perform in the accepted manner, the manufacturer will incur the expense of such testing and the AHJ may immediately revoke, modify, or suspend the use of such product or material within their jurisdiction. RER reserves the right to revoke this acceptance, if it is determined by Miami-Dade County Product Control Section that this product or material fails to meet the requirements of the applicable building code.

This product is approved as described herein, and has been designed to comply with the Florida Building Code, including the High Velocity Hurricane Zone.

DESCRIPTION: Series "Eco-Guard 300" Aluminum Fixed Window – S.M.I.

APPROVAL DOCUMENT: Drawing No. W14-16, titled "Eco-Guard Series-300 Alum. Fixed Wdw. (S.M.I.)", sheets 1 through 5 of 5, dated 04/07/14, with revision A dated 01/14/15, prepared by Al-Farooq Corporation, signed and sealed by Javad Ahmad, P.E., bearing the Miami-Dade County Product Control Section Approval Stamp with the Notice of Acceptance number and approval date by the Miami-Dade County Product Control Section.

MISSILE IMPACT RATING: Small Missile Impact Resistant

LABELING: Each unit shall bear a permanent label with the manufacturer's name or logo, city, state, model/series, and following statement: "Miami-Dade County Product Control Approved", unless otherwise noted herein.

RENEWAL of this NOA shall be considered after a renewal application has been filed and there has been no change in the applicable building code negatively affecting the performance of this product.

TERMINATION of this NOA will occur after the expiration date or if there has been a revision or change in the materials, use, and/or manufacture of the product or process. Misuse of this NOA as an endorsement of any product, for sales, advertising or any other purposes shall automatically terminate this NOA. Failure to comply with any section of this NOA shall be cause for termination and removal of NOA.

ADVERTISEMENT: The NOA number preceded by the words Miami-Dade County, Florida, and followed by the expiration date may be displayed in advertising literature. If any portion of the NOA is displayed, then it shall be done in its entirety.

INSPECTION: A copy of this entire NOA shall be provided to the user by the manufacturer or its distributors and shall be available for inspection at the job site at the request of the Building Official.

This NOA consists of this page 1 and evidence page E-1, as well as approval document mentioned above. The submitted documentation was reviewed by Manuel Perez, P.E.



MP
1/23/15

NOA No. 14-0910.06
Expiration Date: January 29, 2020
Approval Date: January 29, 2015
Page 1

NOTICE OF ACCEPTANCE: EVIDENCE SUBMITTED

A. DRAWINGS

1. Manufacturer's die drawings and sections.
2. Drawing No. **W14-16**, titled "Eco-Guard Series-300 Alum Fixed Wdw. (S.M.I.)", sheets 1 through 5 of 5, dated 04/07/14, with revision A dated 01/14/15, prepared by Al-Farooq Corporation, signed and sealed by Javad Ahmad, P.E.

B. TESTS

2. Test reports on: 1) Air Infiltration Test, per FBC, TAS 202-94
2) Uniform Static Air Pressure Test, Loading per FBC, TAS 202-94
3) Water Resistance Test, per FBC, TAS 202-94
along with marked-up drawings and installation diagram of an aluminum fixed window, prepared by Hurricane Engineering & Testing, Inc., Test Report No. **HETI-10-3156**, dated 12/29/10, signed and sealed by Candido F. Font, P.E.
3. Test reports on: 1) Large Missile Impact Test per FBC, TAS 201-94
2) Cyclic Wind Pressure Loading per FBC, TAS 203-94
along with marked-up drawings and installation diagram of an aluminum fixed window, prepared by Hurricane Engineering & Testing, Inc., Test Report No. **HETI-10-3157**, dated 12/29/10 and revised on 04/04/11, signed and sealed by Rafael E. Droz-Seda, P.E.

C. CALCULATIONS

1. Anchor verification calculations and structural analysis, complying with **FBC-5th Edition (2014)**, prepared by Al-Farooq Corporation, dated 08/05/14, signed and sealed by Javad Ahmad, P.E.
2. Glazing complies with **ASTM E1300-09**

D. QUALITY ASSURANCE

1. Miami-Dade Department of Regulatory and Economic Resources (RER)

E. MATERIAL CERTIFICATIONS


1. Notice of Acceptance No. **13-0129.27** issued to **E.I. DuPont DeNemours & Co., Inc.** for their "**DuPont Butacite® PVB Interlayer**" dated 04/11/13, expiring on 12/11/16.

F. STATEMENTS

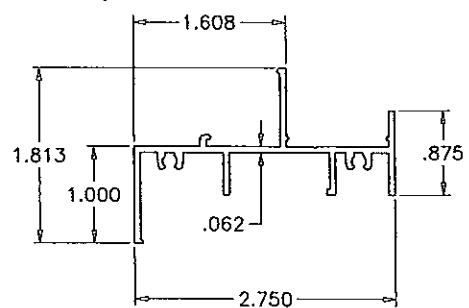
1. Statement letter of conformance, complying with **FBC-5th Edition (2014)**, and of no financial interest, dated August 5, 2014, issued by Al-Farooq Corporation, signed and sealed by Javad Ahmad, P.E.
2. Proposal No. **10-1104** issued by the Product Control Section, dated 10/22/10, signed by Manuel Perez, P.E.

G. OTHERS

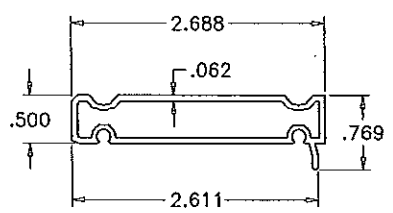
1. None.



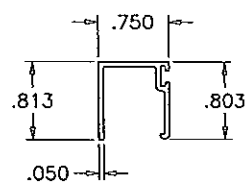
Manuel Perez, P.E.
Product Control Examiner
NOA No. 14-0910.06
Expiration Date: January 29, 2020
Approval Date: January 29, 2015



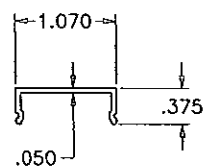
① FRAME HEAD/SILL/JAMB



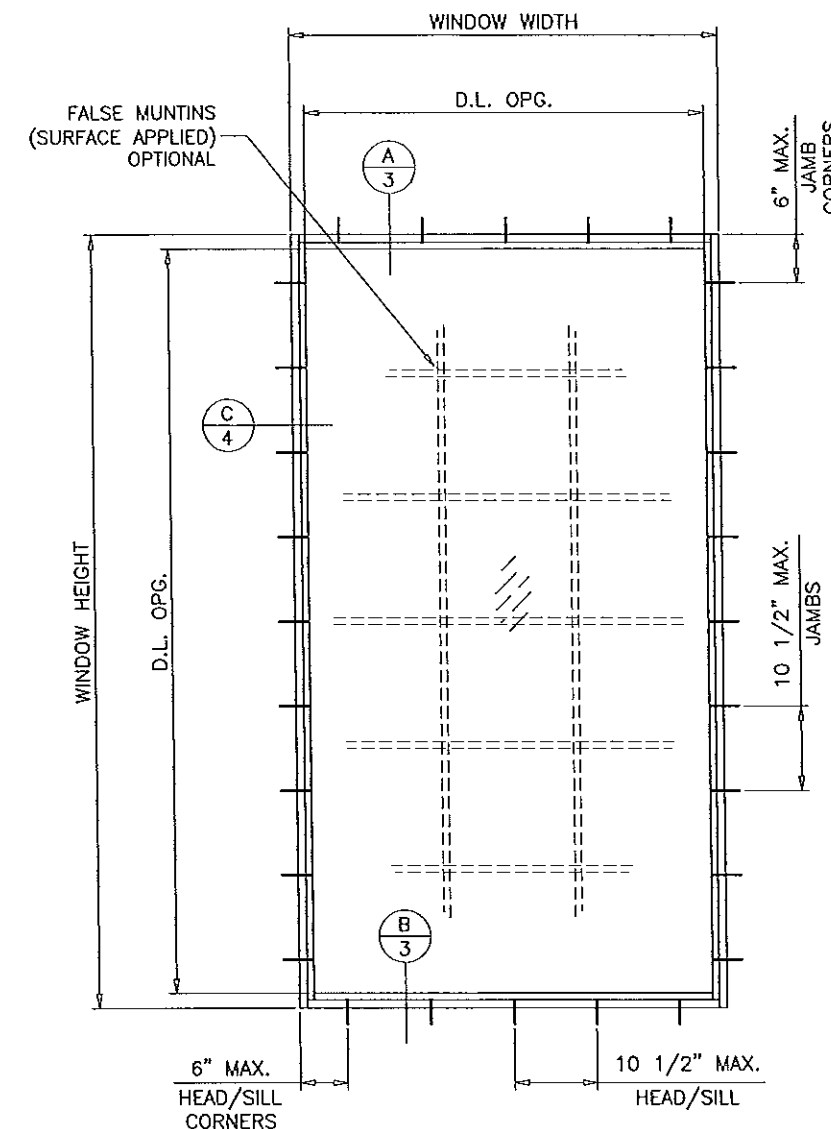
⑦ FLUSH FRAME ADAPTER



② GLAZING BEAD



③ ANCHOR COVER



TYPICAL ELEVATION

GLASS D.L.O. DIMS.

D.L.O. HEIGHT = WINDOW HEIGHT - 3.625"

D.L.O. WIDTH = WINDOW WIDTH - 3.625"

**ECO-GUARD SERIES-300
ALUMINUM FIXED WINDOW**

APPROVAL APPLIES TO SINGLE UNITS OR SIDE BY SIDE COMBINATIONS OF FIX./FIX. OR FIXED WITH OTHER WINDOW TYPES IN MODULES OF TWO OR MORE WINDOWS USING MIAMI-DADE COUNTY APPROVED MULLIONS IN BETWEEN. LOWER DESIGN PRESSURE FROM WINDOWS OR MULLION APPROVAL WILL APPLY TO ENTIRE SYSTEM.

THIS PRODUCT HAS BEEN DESIGNED AND TESTED TO COMPLY WITH THE REQUIREMENTS OF THE FLORIDA BUILDING CODE INCLUDING HIGH VELOCITY HURRICANE ZONE (HVHZ).

WOOD BUCKS BY OTHERS, MUST BE ANCHORED PROPERLY TO TRANSFER LOADS TO THE STRUCTURE.

ANCHORS SHALL BE AS LISTED, SPACED AS SHOWN ON DETAILS, ANCHORS EMBEDMENT TO BASE MATERIAL SHALL BE BEYOND WALL DRESSING OR STUCCO.

ANCHORING OR LOADING CONDITIONS NOT SHOWN IN THESE DETAILS ARE NOT PART OF THIS APPROVAL.

A LOAD DURATION INCREASE IS USED IN DESIGN OF ANCHORS INTO WOOD ONLY.

ALL SHIMS TO BE HIGH IMPACT, NON-METALLIC AND NON-COMPRESSIBLE.

MATERIALS INCLUDING BUT NOT LIMITED TO STEEL/METAL SCREWS, THAT COME INTO CONTACT WITH OTHER DISSIMILAR MATERIALS SHALL MEET THE REQUIREMENTS OF THE FLORIDA BLDG. CODE.

THESE WINDOWS ARE RATED FOR SMALL MISSILE IMPACT. MIAMI-DADE COUNTY APPROVED IMPACT RESISTANT SHUTTERS REQUIRED FOR INSTALLATIONS UP TO 30 FT. OF GRADE. SHUTTERS NOT REQD. FOR INSTALLATIONS ABOVE 30 FT. OF GRADE.

Engr: JAVAD AHMAD
CIVIL
FLA. PE # 70592
C.A.N. 3538

JAN 16 2015

Approved as complying with the
Florida Building Code
Date: Jan 29, 2015
NOAH 14-0910-06
Miami Dade Product Control

By: *Manuel Perez*



AL-FAROOQ CORPORATION
ENGINEERS & PRODUCT DEVELOPMENT
1235 S.W. 87 AVE
MIAMI, FLORIDA 33174
TEL. (305) 264-8100 FAX. (305) 262-6978

ECO-GUARD SERIES-300 ALUM FIXED WDW. (S.M.I.)
ECO WINDOW SYSTEMS, LLC.
9114 N.W. 106 STREET
MEDLEY, FL. 33178
TEL. (305) 885-5299 FAX (305) 885-5902

no	date	description
A	01.14.15	REV. PER RER COMMENTS

date: 04-07-14
scale: 1/2" = 1"
dr. by: HAMID
chk. by:

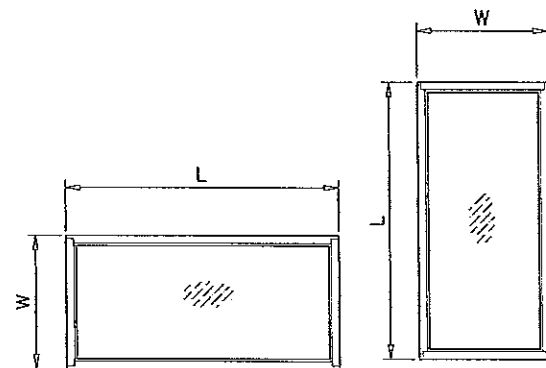
drawing no.
W14-16

sheet 1 of 5

COMP-ANL\W14-16ECO

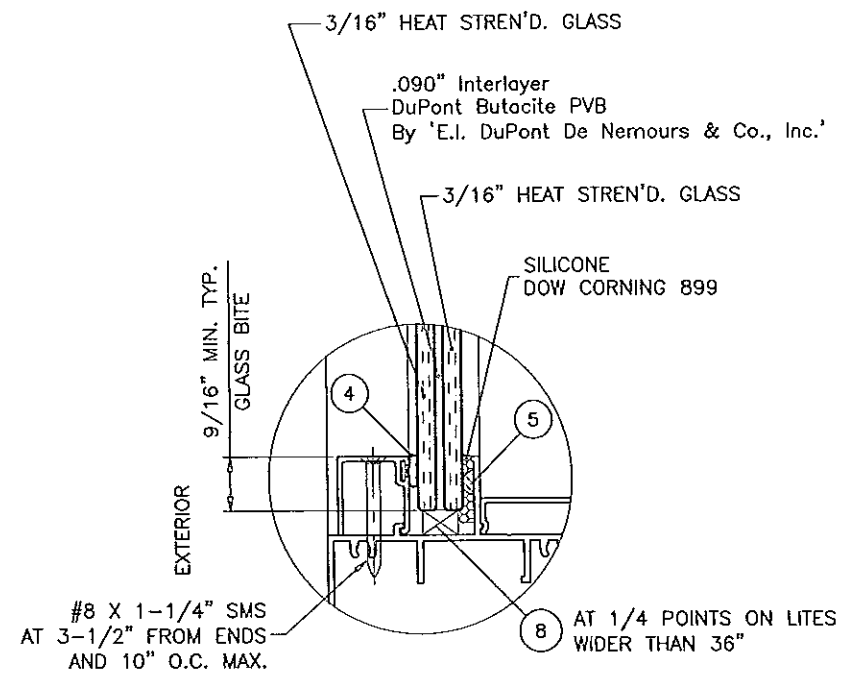
DESIGN LOAD CAPACITY - PSF			
WINDOW DIMS.		7/16" LAM. GLASS	
WIDTH (W)	LENGTH (L)	EXT.(+)	INT.(-)
24"	36"	100.0	150.0
30"		100.0	150.0
36"		100.0	150.0
42"		100.0	150.0
48"		100.0	150.0
54"		100.0	150.0
60"		100.0	150.0
66"		100.0	150.0
72"	100.0	150.0	
24"	48"	100.0	150.0
30"		100.0	150.0
36"		100.0	150.0
42"		100.0	135.0
48"		87.5	118.1
54"		87.5	118.1
60"		87.5	118.1
66"		87.5	118.1
24"	60"	100.0	150.0
30"		100.0	150.0
36"		100.0	150.0
42"		100.0	135.0
48"	87.5	118.1	
24"	72"	100.0	150.0
30"		100.0	150.0
36"		100.0	150.0
42"		100.0	135.0
24"	76"	100.0	150.0
30"		100.0	150.0
36"		100.0	149.4
42"		100.0	135.0
24"	84"	100.0	150.0
30"		100.0	150.0
36"		100.0	145.1
24"	96"	100.0	150.0
30"		100.0	150.0
24"	108"	100.0	150.0
24"	120"	100.0	150.0

DESIGN LOAD CAPACITY - PSF			
WINDOW DIMS.		7/16" LAM. GLASS	
WIDTH (W)	LENGTH (L)	EXT.(+)	INT.(-)
26-1/2"	26"	100.0	150.0
37"		100.0	150.0
53-1/8"		100.0	150.0
74"		100.0	150.0
26-1/2"	38-3/8"	100.0	150.0
37"		100.0	150.0
53-1/8"		100.0	147.8
74"		100.0	144.4
26-1/2"	50-5/8"	100.0	150.0
37"		100.0	150.0
53-1/8"		83.0	112.0
26-1/2"	63"	100.0	150.0
37"		100.0	150.0
26-1/2"	76"	100.0	150.0
37"		100.0	146.6



NOTE:
WIDTH AND LENGTH DIMENSIONS CAN BE ORIENTED VERTICALLY OR HORIZONTALLY AS SHOWN ABOVE.

NOTE:
GLASS CAPACITIES ON THIS SHEET ARE BASED ON ASTM E1300-09 (3 SEC. GUSTS).



GLAZING DETAIL
7/16" OVERALL NOM. THK.

af c
AL-FAROOQ CORPORATION
ENGINEERS & PRODUCT DEVELOPMENT
1235 S.W. 87 AVE
MIAMI, FLORIDA 33174
TEL. (305) 264-8100 FAX. (305) 262-6978
COMP - ANL \W14-16ECO

ECO-GUARD SERIES-300 ALUM FIXED WDW. (S.M.I.)
ECO WINDOW SYSTEMS, LLC.
9114 N.W. 106 STREET
MEDLEY, FL. 33178
TEL. (305) 885-5299 FAX (305) 885-5902

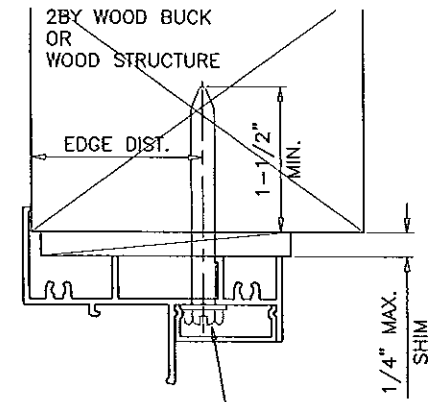
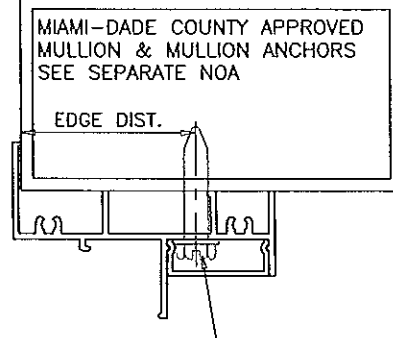
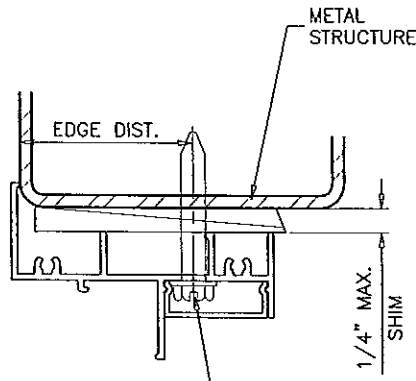
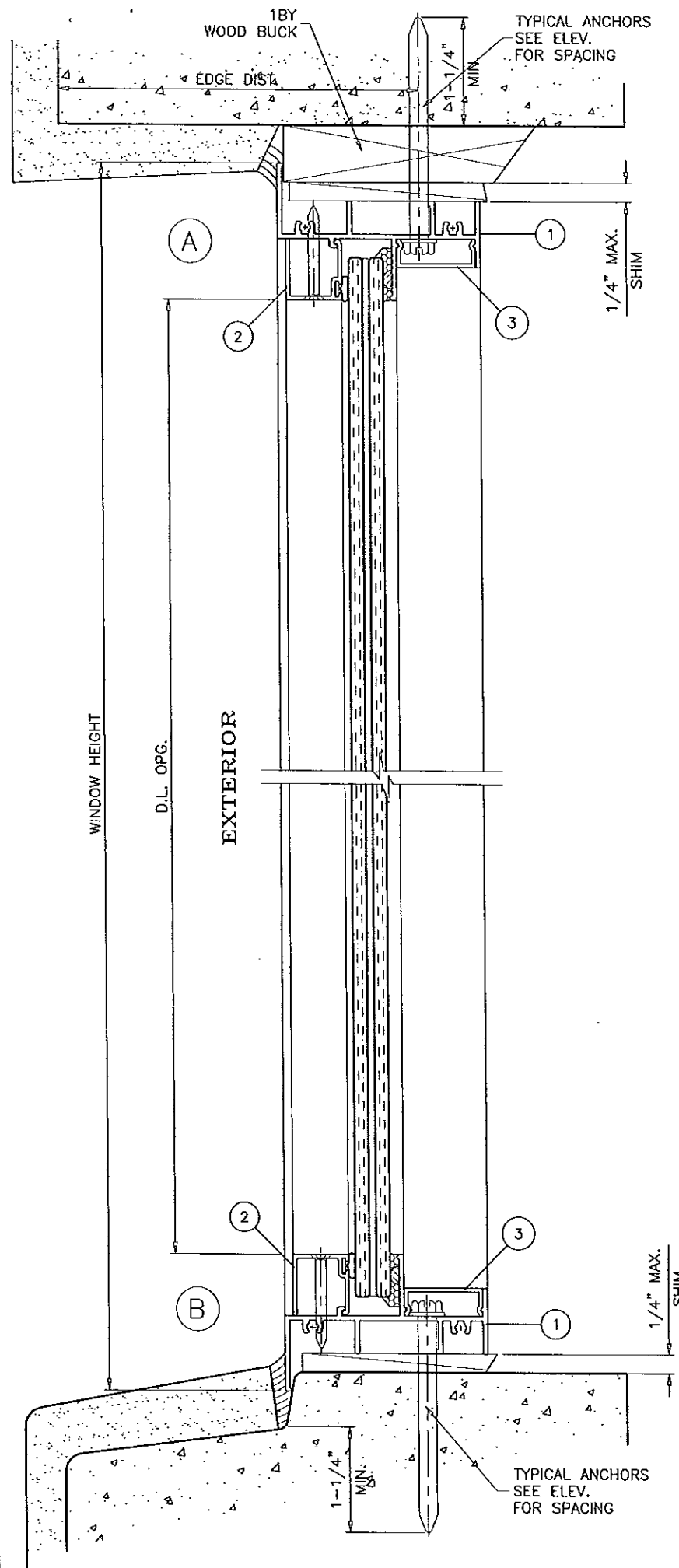
revisions:	
no	description
A	01.14.15 REV. PER COMMENTS

date: 04-07-14
scale: 1/2" = 1"
dr. by: HAMID
chk. by:

Engr: JAVAD AHMAD
CML
FLA. PE # 70592
C.A.N. 3538
JAN 16 2015

Approved as complying with the Florida Building Code
Date: Jan. 29, 2015
NQA# 14-0910-06
Miami Dade Product Control
By: *Manuel Perez*

drawing no.
W14-16
sheet 2 of 5



TYPICAL ANCHORS
SEE ELEV.
FOR SPACING

TYPICAL ANCHORS
SEE ELEV.
FOR SPACING

TYPICAL ANCHORS
SEE ELEV.
FOR SPACING

WOOD BUCKS AND METAL STRUCTURE NOT BY ECO WDW.
MUST SUSTAIN LOADS IMPOSED BY GLAZING SYSTEM
AND TRANSFER THEM TO THE BUILDING STRUCTURE.

TYPICAL ANCHORS: SEE ELEV. FOR SPACING

1/4" DIA. TAPCON BY 'ITW' (Fu=120 KSI, Fy=92 KSI)

1/4" DIA. ULTRACON BY 'ELCO' (Fu=177 KSI, Fy=155 KSI)

INTO 2BY WOOD BUCKS OR WOOD STRUCTURES

1-1/2" MIN. PENETRATION INTO WOOD

THRU 1BY BUCKS INTO CONC. OR MASONRY

1-1/4" MIN. EMBED INTO CONC. OR MASONRY

DIRECTLY INTO CONC. OR MASONRY

1-1/4" MIN. EMBED INTO CONC. OR MASONRY

1/4" DIA. TEKS OR SELF DRILLING SCREWS (GRADE 5 CRS)

INTO METAL STRUCTURES

STEEL : 1/8" THK. MIN. (Fy = 36 KSI MIN.)

ALUMINUM : 1/8" THK. MIN. (6063-T5 MIN.)

(STEEL IN CONTACT WITH ALUMINUM TO BE PLATED OR PAINTED)

#14 SMS OR SELF DRILLING SCREWS (GRADE 2 CRS)

INTO MIAMI-DADE COUNTY APPROVED MULLIONS (MIN. THK. = 1/8")

(NO SHIM SPACE)

TYPICAL EDGE DISTANCE

INTO CONCRETE AND MASONRY = 2-1/2" MIN.

INTO WOOD STRUCTURE = 1" MIN.

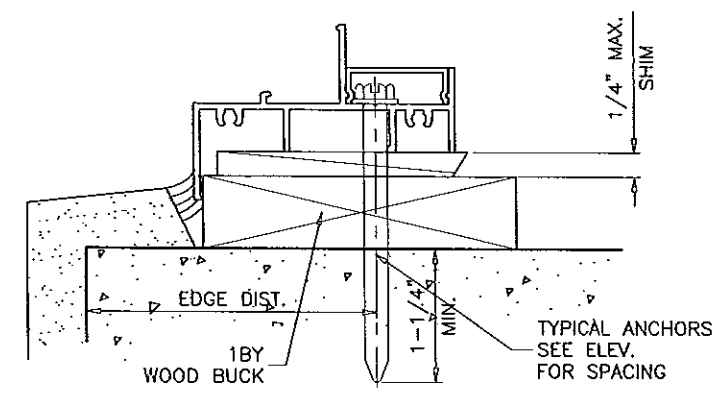
INTO METAL STRUCTURE = 3/4" MIN.

CONCRETE AT HEAD, SILL OR JAMBS f'c = 3000 PSI MIN.

C-90 HOLLOW/FILLED BLOCK AT JAMBS f'm = 2000 PSI MIN.

SEALANT:

ALL JOINTS AND FRAME CONNECTIONS SEALED WITH JOINT SEALER.



Engr: JAVAD AHMAD
CIVIL
FLA. PE # 70592
C.A.N. 3538

JAN 16 2015

Approved as complying with the
Florida Building Code
Date: Jan 29, 2015
NOAH# 14-0910-06
Miami Dade Product Control
By: *Manuel Perez*

af c
AL-FAROOQ CORPORATION
ENGINEERS & PRODUCT DEVELOPMENT
1235 S.W. 87 AVE
MIAMI, FLORIDA 33174
TEL. (305) 264-8100 FAX. (305) 262-6975
COMP-ANL\W14-16ECO

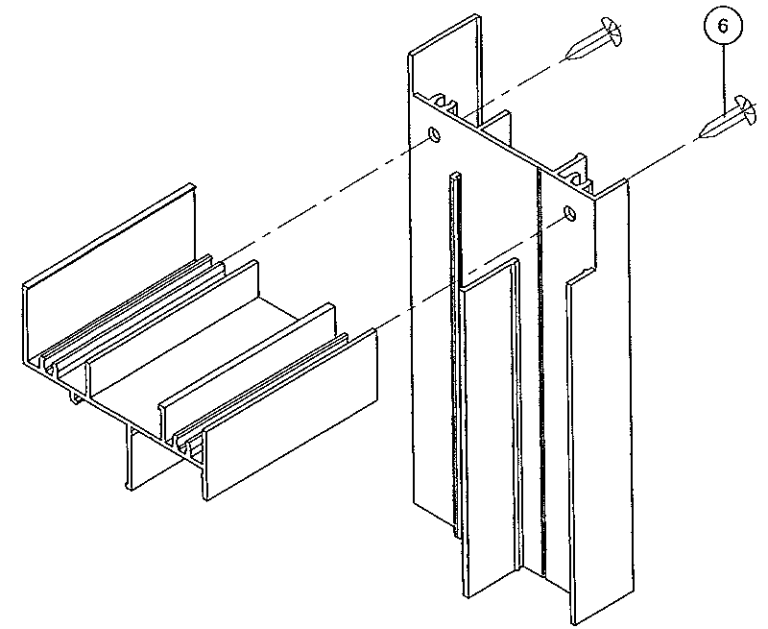
ECO-GUARD SERIES-300 ALUM FIXED WDW. (S.M.I.)
ECO WINDOW SYSTEMS, LLC.
9114 N.W. 106 STREET
MEDLEY, FL. 33178
TEL. (305) 885-5299 FAX (305) 885-5902

revisions:	no	date	by	description
	A	01.14.15		REV. PER COMMENTS

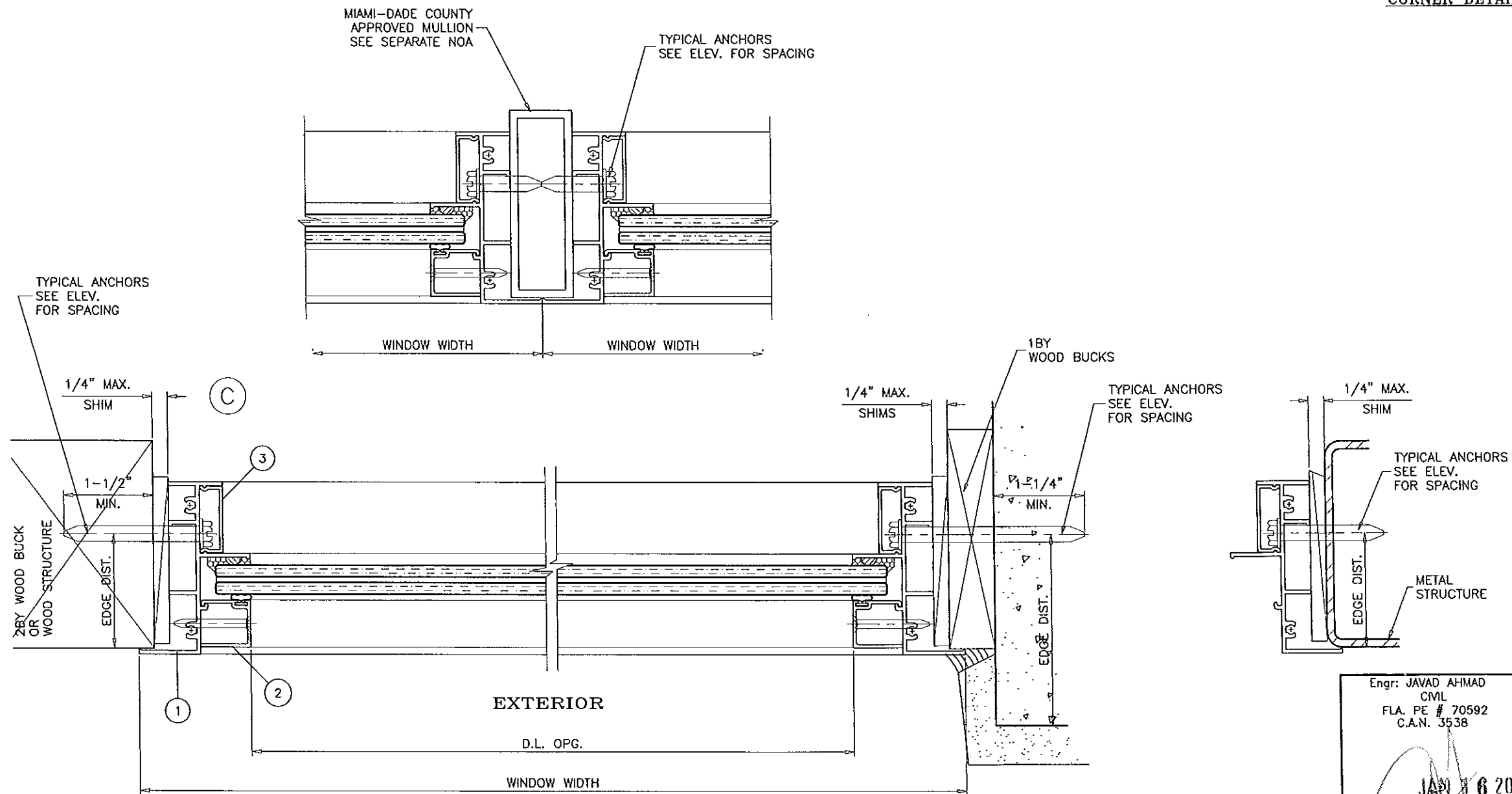
date: 04-07-14
scale: 1/2" = 1"
dr. by: HAMID
chk. by:

drawing no.
W14-16
sheet 3 of 5

ITEM #	PART #	REQD.	DESCRIPTION	MATERIAL	MANF./SUPPLIER/REMARKS
1	FY301	2	FRAME HEAD/SILL/JAMB	6063-T6	-
2	FY302	AS REQD.	GLAZING BEAD- 7/16" GLASS	6063-T6	-
3	FY303	AS REQD.	ANCHOR COVER	6063-T5	-
4	E203	AS REQD.	GLAZING BEAD BULB	NEOPRENE	ULTRAFAB
5	FLB-50	1	GLASS SPACER - 1/8" HIGH	SILICONE	FRANK LOWE
6	#8 x 1"	8	FRAME ASSEMBLY SCREWS	CRS	PH SMS
7	FY120	-	FLUSH FRAME ADAPTER	6063-T6	OPTIONAL
8	-	AS REQD.	SETTING BLOCKS	EPDM	DUROMETER 80±5 SHORE A



CORNER DETAIL



af c
AL-FAROOQ CORPORATION
 ENGINEERS & PRODUCT DEVELOPMENT
 1235 S.W. 87 AVE
 MIAMI, FLORIDA 33174
 TEL. (305) 264-5100 FAX. (305) 262-6978
 COMP-ANL\W14-16ECO

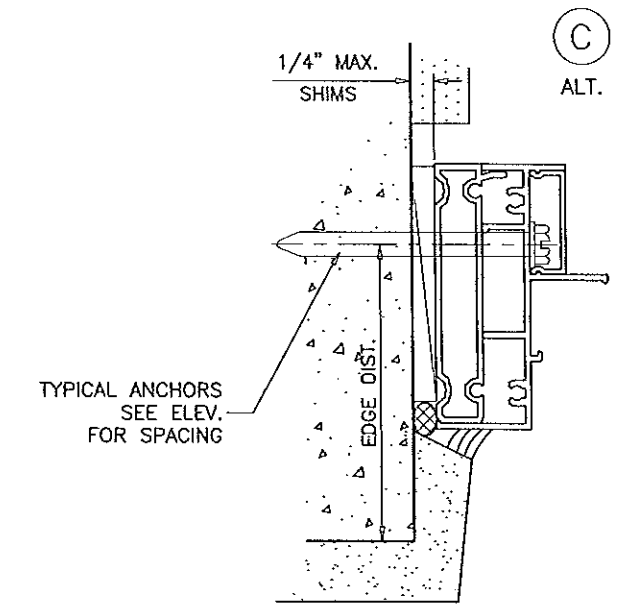
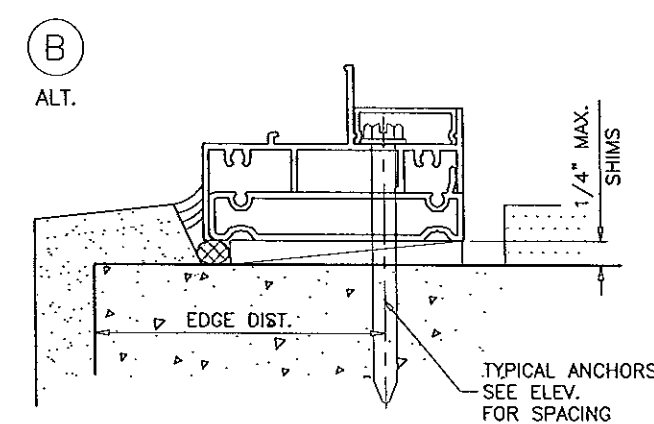
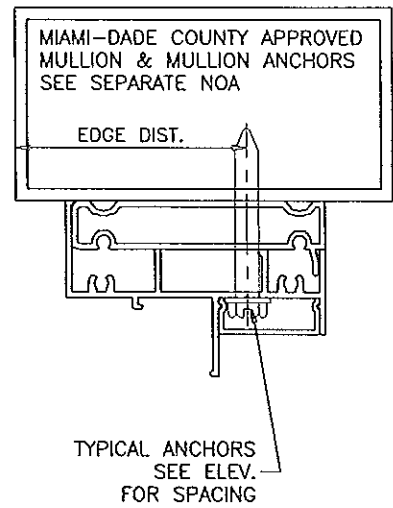
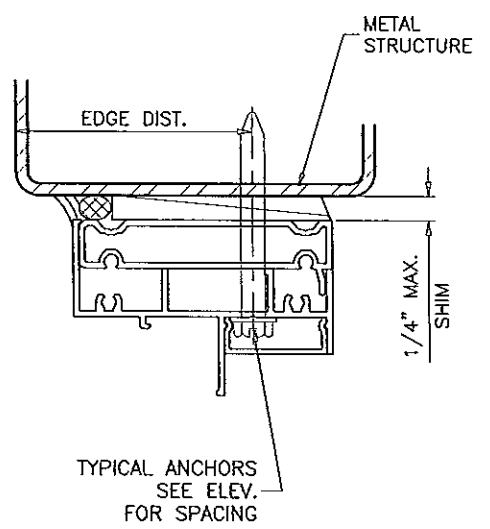
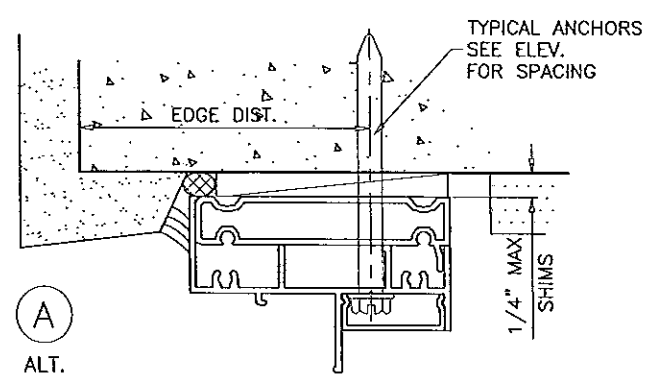
ECO-GUARD SERIES-300 ALUM FIXED WDW. (S.M.I.)
ECO WINDOW SYSTEMS, LLC.
 9114 N.W. 106 STREET
 MEDLEY, FL. 33178
 TEL. (305) 885-5299 FAX (305) 885-5902

NO.	DATE	BY	DESCRIPTION	REV. PER	COMMENTS
A	01.14.15				

Engr: JAVAD AHMAD
 CIVIL
 FLA. PE # 70592
 C.A.N. 3538
 JAN 16 2015

Approved as complying with the
 Florida Building Code
 Date Jan 29, 2015
 NOAH 14-0910.06
 Miami Dade Product Control
 By Manuel Perez

date: 04-07-14
 scale: 1/2" = 1"
 dr. by: HAMID
 chk. by:
 drawing no.
W14-16
 sheet 4 of 5



INSTALLATION DETAILS WITH FLUSH FRAME ADAPTER

Engr: JAVAD AHMAD
 CIVIL
 FLA. PE # 70592
 C.A.N. 3538
 JAN 16 2015

Approved as complying with the
 Florida Building Code
 Date: Jan 29, 2015
 NOAH 14-0910.06
 Miami Dade Product Control
 By: *Mamud Perez*

af c

AL-FAROOQ CORPORATION
 ENGINEERS & PRODUCT DEVELOPMENT
 1235 S.W. 87 AVE
 MIAMI, FLORIDA 33174
 TEL. (305) 264-8100 FAX. (305) 262-6978
 COMP -ANL\W14-16ECO

ECO-GUARD SERIES-300 ALUM FIXED WDW. (S.M.I.)
ECO WINDOW SYSTEMS, LLC.
 9114 N.W. 106 STREET
 MEDLEY, FL. 33178
 TEL. (305) 885-5299 FAX (305) 885-5902

no	date	by	description
A	01.14.15		NO CHANGE THIS SHEET

date: 04-07-14
 scale: 1/2" = 1"
 dr. by: HAMID
 chk. by:

drawing no.
W14-16

sheet 5 of 5