



DEPARTMENT OF REGULATORY AND ECONOMIC RESOURCES (RER)
BOARD AND CODE ADMINISTRATION DIVISION

MIAMI-DADE COUNTY
PRODUCT CONTROL SECTION
11805 SW 26 Street, Room 208
Miami, Florida 33175-2474
T (786) 315-2590 F (786) 315-2599

www.miamidade.gov/economy

NOTICE OF ACCEPTANCE (NOA)

Phoenix Foundation Systems LLC
18031 Biscayne Blvd. #1003
Aventura, Florida 33160

SCOPE:

This NOA is being issued under the applicable rules and regulations governing the use of construction materials. The documentation submitted has been reviewed and accepted by Miami-Dade County RER- Product Control Section to be used in Miami Dade County and other areas where allowed by the Authority Having Jurisdiction (AHJ).

This NOA shall not be valid after the expiration date stated below. The Miami-Dade County Product Control Section (In Miami Dade County) and/or the AHJ (in areas other than Miami Dade County) reserve the right to have this product or material tested for quality assurance purposes. If this product or material fails to perform in the accepted manner, the manufacturer will incur the expense of such testing and the AHJ may immediately revoke, modify, or suspend the use of such product or material within their jurisdiction. RER reserves the right to revoke this acceptance, if it is determined by Miami-Dade County Product Control Section that this product or material fails to meet the requirements of the applicable building code.

This product is approved as described herein, and has been designed to comply with the High Velocity Hurricane Zone of the Florida Building Code.

DESCRIPTION: Security Boot Foundation System

APPROVAL DOCUMENT: Drawing No. none, titled "Security Boot Foundation Systems", sheet 1 through 21 of 21, prepared by Unique Engineering Solutions, LLC, dated June 02, 2015, signed and sealed by R. Douglas Hall, P.E., on June 02, 2015, bearing the Miami-Dade County Product Control Approval stamp with the Notice of Acceptance number and the approval date by the Miami-Dade County Product Control Section.

MISSILE IMPACT RATING: None

LABELING: Each Security Boot shall bear a permanent label with the manufacturer's name or logo, city, state and the following statement: "Miami-Dade County Product Control Approved", unless otherwise noted herein.

RENEWAL of this NOA shall be considered after a renewal application has been filed and there has been no change in the applicable building code negatively affecting the performance of this product.

TERMINATION of this NOA will occur after the expiration date or if there has been a revision or change in the materials, use, and/or manufacture of the product or process. Misuse of this NOA as an endorsement of any product, for sales, advertising or any other purposes shall automatically terminate this NOA. Failure to comply with any section of this NOA shall be cause for termination and removal of NOA.

ADVERTISEMENT: The NOA number preceded by the words Miami-Dade County, Florida, and followed by the expiration date may be displayed in advertising literature. If any portion of the NOA is displayed, then it shall be done in its entirety.

INSPECTION: A copy of this entire NOA shall be provided to the user by the manufacturer or its distributors and shall be available for inspection at the job site at the request of the Building Official.

This NOA consists of this page 1, evidence submitted page E-1 as well as approval document mentioned above. The submitted documentation was reviewed by **Helmy A. Makar, P.E., M.S.**



Helmy A. Makar
06/18/2015

NOA No. 14-0923.02
Expiration Date: 06/18/2020
Approval Date: 06/18/2015
Page 1

Phoenix Foundation Systems LLC

NOTICE OF ACCEPTANCE: EVIDENCE SUBMITTED

A. DRAWINGS

1. *Drawing No. none, titled "Security Boot Foundation Systems", sheet 1 through 21 of 21, prepared by Unique Engineering Solutions, LLC, dated June 02, 2015, signed and sealed by R. Douglas Hall, P.E., on June 02, 2015, P.E.*

B. TESTS

1. *None.*

C. CALCULATIONS

1. *Calculations for Security Boot Foundation Systems, dated April 02, 2015, 7 pages, prepared by Unique Engineering Solutions, LLC, signed and sealed by R. Douglas Hall, P.E., on March 20, 2015.*

D. QUALITY ASSURANCE

1. *By Miami-Dade County Department of Regulatory and Economic Resources (RER).*

E. MATERIAL CERTIFICATIONS

1. *None.*

F. OTHER

1. *Letter from Unique Engineering Solutions, LLC, dated September 16, 2014, signed and sealed by R. Douglas Hall, P.E., certifying compliance with the current (2010 Edition) Florida Building Code.*

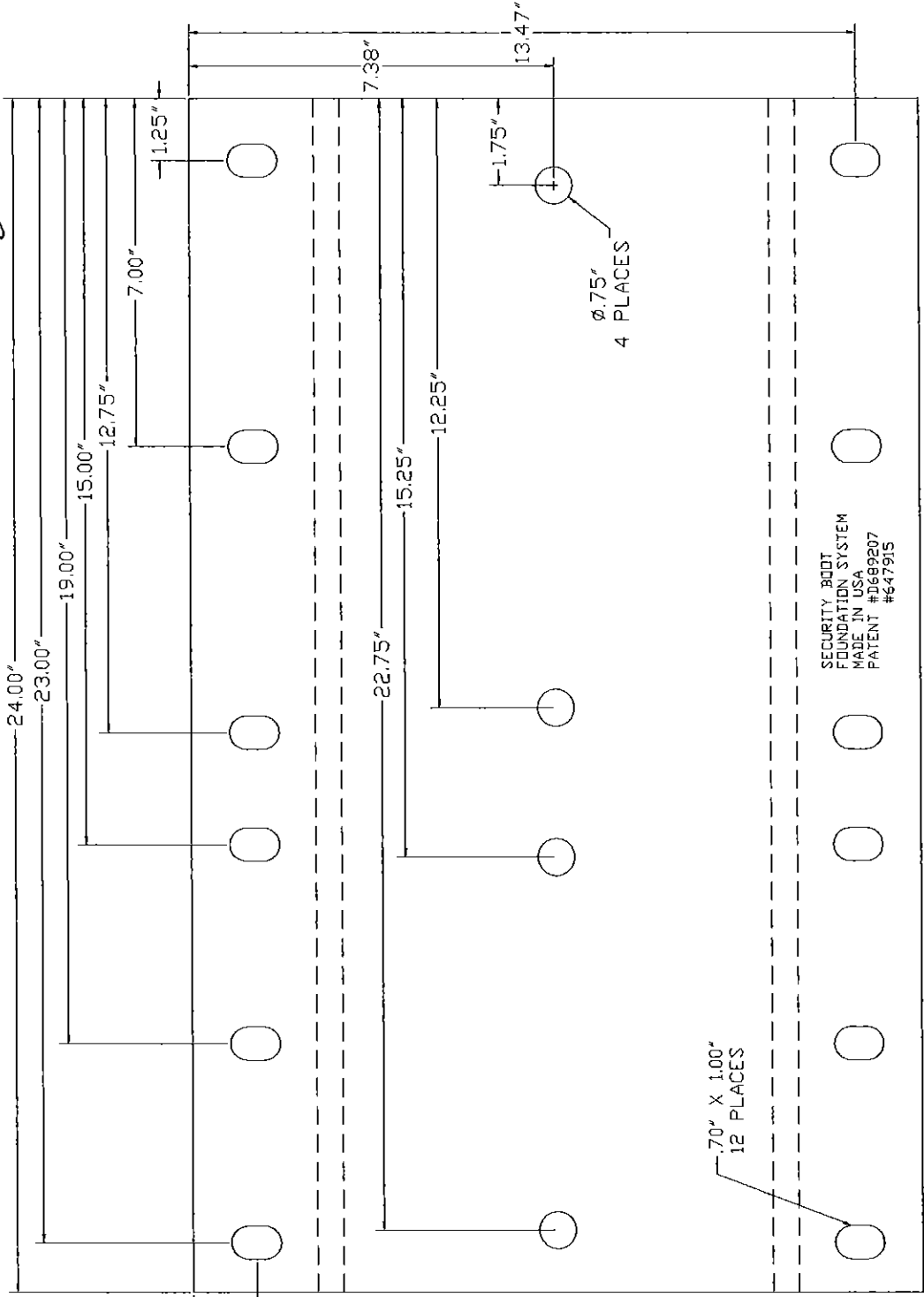
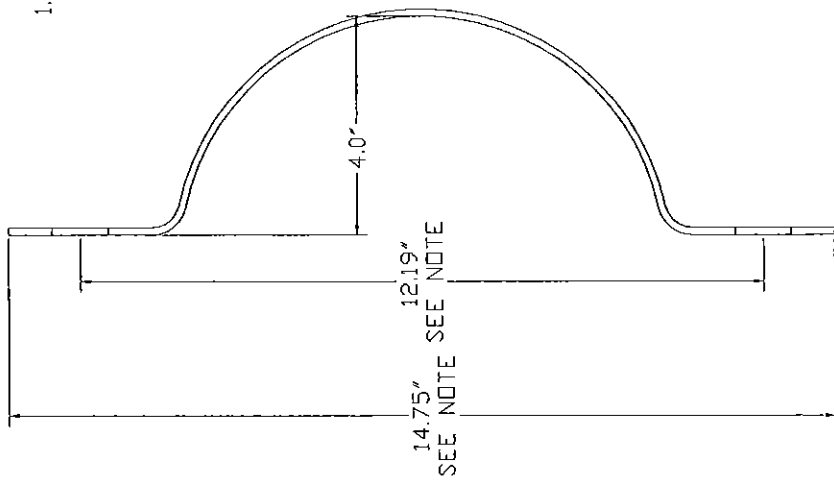
Helmy A. Makar, P.E., M.S.
Product Control Unit Supervisor
NOA No. 14-0923.02
Expiration Date: 06/18/2020
Approval Date: 06/18/2015

UNIQUE ENGINEERING SOLUTIONS, LLC.
 4177 CORPORATE WAY
 PALM HARBOR, FLORIDA 34683
 727-789-1618
 COA# 30913

PHOENIX FOUNDATION SYSTEM LLC
 17330 PRESTON ROAD
 SUIT 102-D
 DALLAS, TEXAS 75252

Approved as complying with the
 Florida Building Code
 Date 6/18/2015
 NOA# 14-0923-02
 Miami Dade Product Control
 By H. G. A. Miller

NOTE:
 1. 0.500 SPRIG BACK ALLOWED IN FORM



SECURITY BOOT ALLOWABLE CAPACITY 40.4 KIPS*

NOTES:
 ALL MATERIAL SHALL BE AISI 1010 $\frac{1}{8}$ " PLATE STEEL
 FU=67KSI, FY=55KSI EQUIVALENT TO ASTM 572 GRADE 55
 ALL PLATE STEEL SHALL BE HOT DIP GALVANIZED (G90)
 ALL BOLTS SHALL $\frac{3}{4}$ " ϕ AND GRADE 8
 PROOF=120KSI, YIELD=130KSI, TENSILE=150KSI
 ALL BOLTS NUTS AND WASHERS SHALL BE HOT DIP GALVANIZED

*THE CAPACITY SHOWN IS FOR THE SECURITY BOOT ONLY.
 SITE SPECIFIC ENGINEERING SHALL BE PROVIDED TO SIZE
 THE PILING AND BEAMS, AND THEIR CORRESPONDING
 SPECIFICATIONS. THE OVERALL CAPACITY OF THE
 FOUNDATION SYSTEM SHALL BE DETERMINED BY THE
 LESSER CAPACITY OF THE THREE COMPONENTS

SEAL

DWN:ADH 8" ROUND UPPER PLATE FORM

PAGE NUMBER 1 OF 21

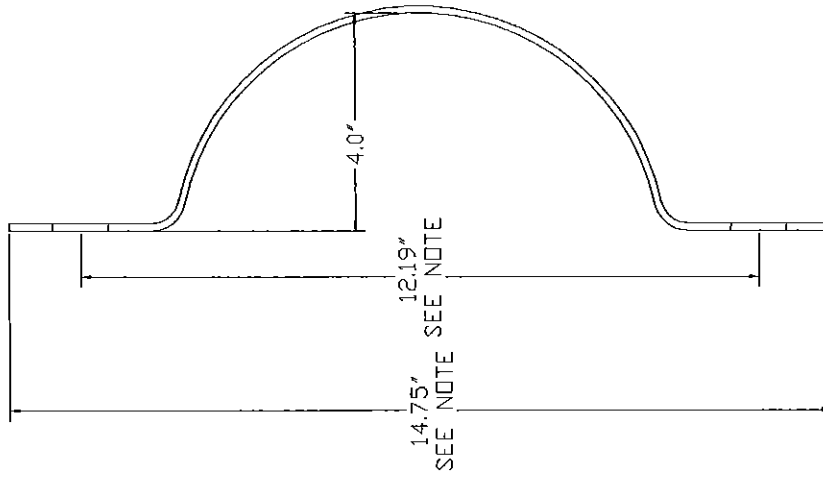
PHOENIX FOUNDATION SYSTEM LLC
 17330 PRESTON ROAD
 SUIT 102-D
 DALLAS, TEXAS 75252

UNIQUE ENGINEERING SOLUTIONS, LLC.
 4177 CORPORATE WAY
 PALM HARBOR, FLORIDA 34683
 727-789-1618
 COA# 30913

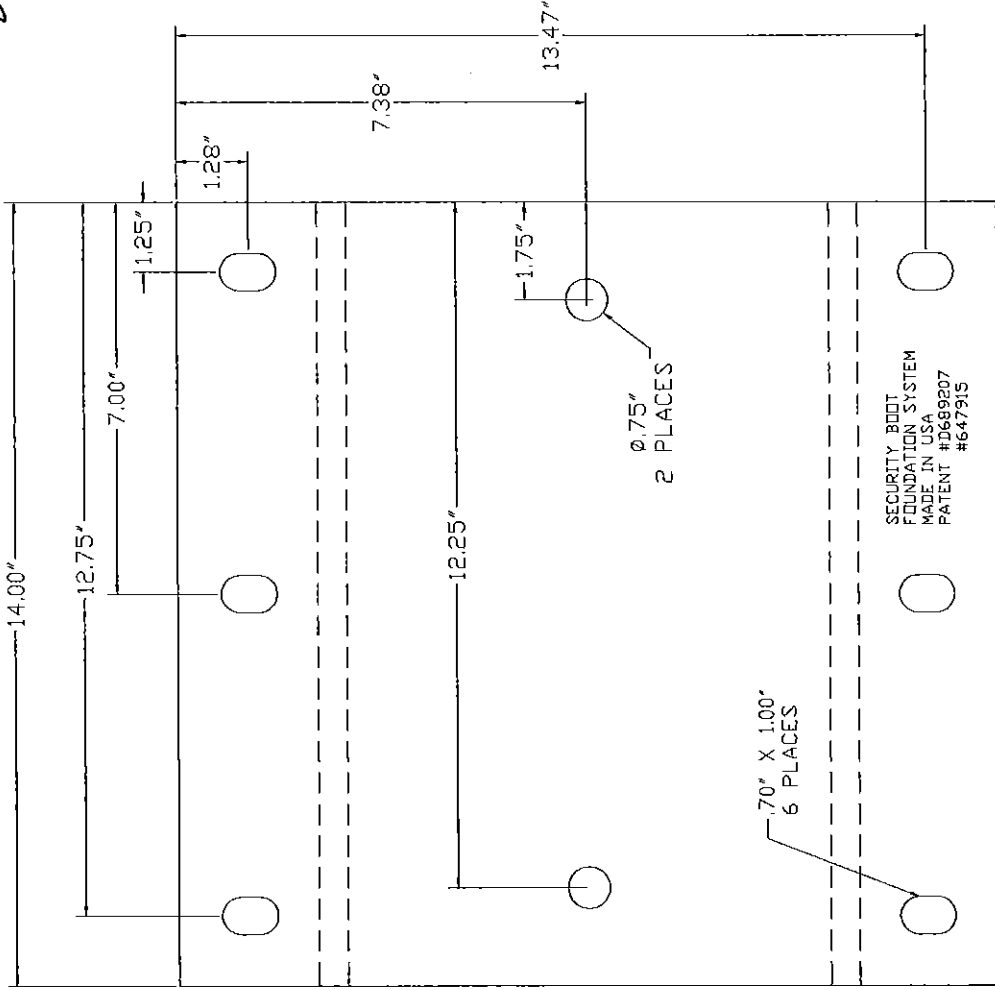
Approved as complying with *abc*
 Florida Building Code
 Date *06/18/2015*
 NOA# *12-0973.02*
 Miami-Dade Product Control

By *Heidi A. Miller*

NOTE:
 1. 0.500 SPRIG BACK ALLOWED IN FORM



14.75" SEE NOTE
 12.19" SEE NOTE
 4.0"



0.75" 2 PLACES

0.70" X 1.00" 6 PLACES

SECURITY BOOT FOUNDATION SYSTEM MADE IN USA PATENT #D689207 #647915

NOTES:
 ALL MATERIAL SHALL BE AISI 1010 1/2" PLATE STEEL
 FU=67KSI, FY=55KSI EQUIVALENT TO ASTM 572 GRADE 55
 ALL PLATE STEEL SHALL BE HOT DIP GALVANIZED (G90)
 ALL BOLTS SHALL 3/8" Ø AND GRADE 8
 PROOF=120KSI, YIELD=130KSI, TENSILE=150KSI
 ALL BOLTS NUTS AND WASHERS SHALL BE HOT DIP GALVANIZED

SECURITY BOOT ALLOWABLE CAPACITY 40.4 KIPS*

*THE CAPACITY SHOWN IS FOR THE SECURITY BOOT ONLY. SITE SPECIFIC ENGINEERING SHALL BE PROVIDED TO SIZE THE PILING AND BEAMS, AND THEIR CORRESPONDING FOUNDATION SYSTEM. THE OVERALL CAPACITY OF THE FOUNDATION SYSTEM SHALL BE DETERMINED BY THE LESSER CAPACITY OF THE THREE COMPONENTS

Heidi A. Miller
6/2/15

SEAL

DWN:ADH 8" ROUND LOWER PLATE FORM

PHOENIX FOUNDATION SYSTEM LLC
17330 PRESTON ROAD
SUITE 102-D
DALLAS, TEXAS 75252

UNIQUE ENGINEERING SOLUTIONS, LLC.
4177 CORPORATE WAY
PALM HARBOR, FLORIDA 34683
727-789-1618
COA# 30913

Approved as complying with the
Florida Building Code
Date 6/18/2015
NOA# 14-0923-02
Miami Dade Product Control

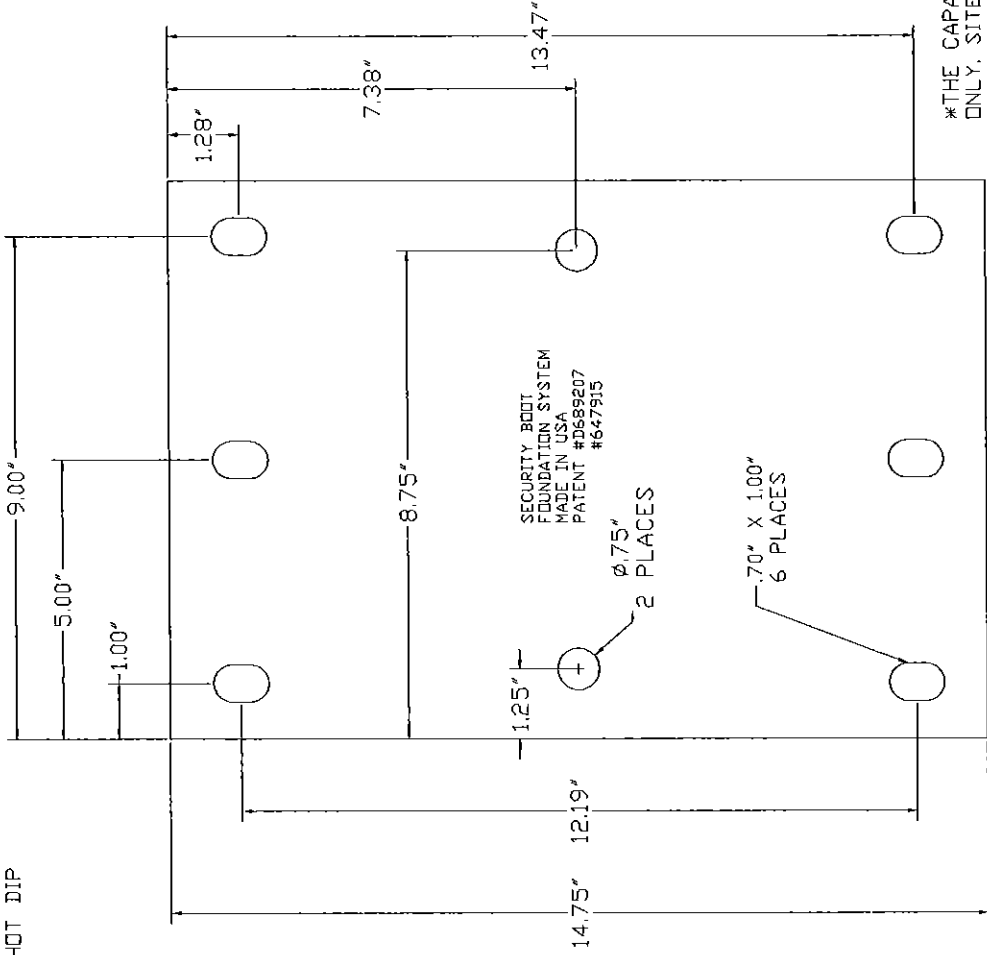
By *[Signature]*

NOTES:

- ALL MATERIAL SHALL BE AISI 1010 $\frac{1}{8}$ " PLATE STEEL
- FU=67KSI, FY=55KSI EQUIVALENT TO ASTM 572 GRADE 55
- ALL PLATE STEEL SHALL BE HOT DIP GALVANIZED (G90)
- ALL BOLTS SHALL BE $\frac{3}{8}$ " AND GRADE 8
- PROOF=120KSI, YIELD=130KSI, TENSILE=150KSI
- ALL BOLTS NUTS AND WASHERS SHALL BE HOT DIP GALVANIZED

NOTE:

- 1. 0.500 SPRIG BACK ALLOWED IN FORM



SECURITY BOOT ALLOWABLE CAPACITY 40.4 KIPS*

*THE CAPACITY SHOWN IS FOR THE SECURITY BOOT ONLY, SITE SPECIFIC ENGINEERING SHALL BE PROVIDED TO SIZE THE PILING AND BEAMS, AND THEIR CORRESPONDING SPECIFICATIONS. THE OVERALL CAPACITY OF THE FOUNDATION SYSTEM SHALL BE DETERMINED BY THE LESSER CAPACITY OF THE THREE COMPONENTS

[Signature]
4/2/15

SEAL

DWN:ADH

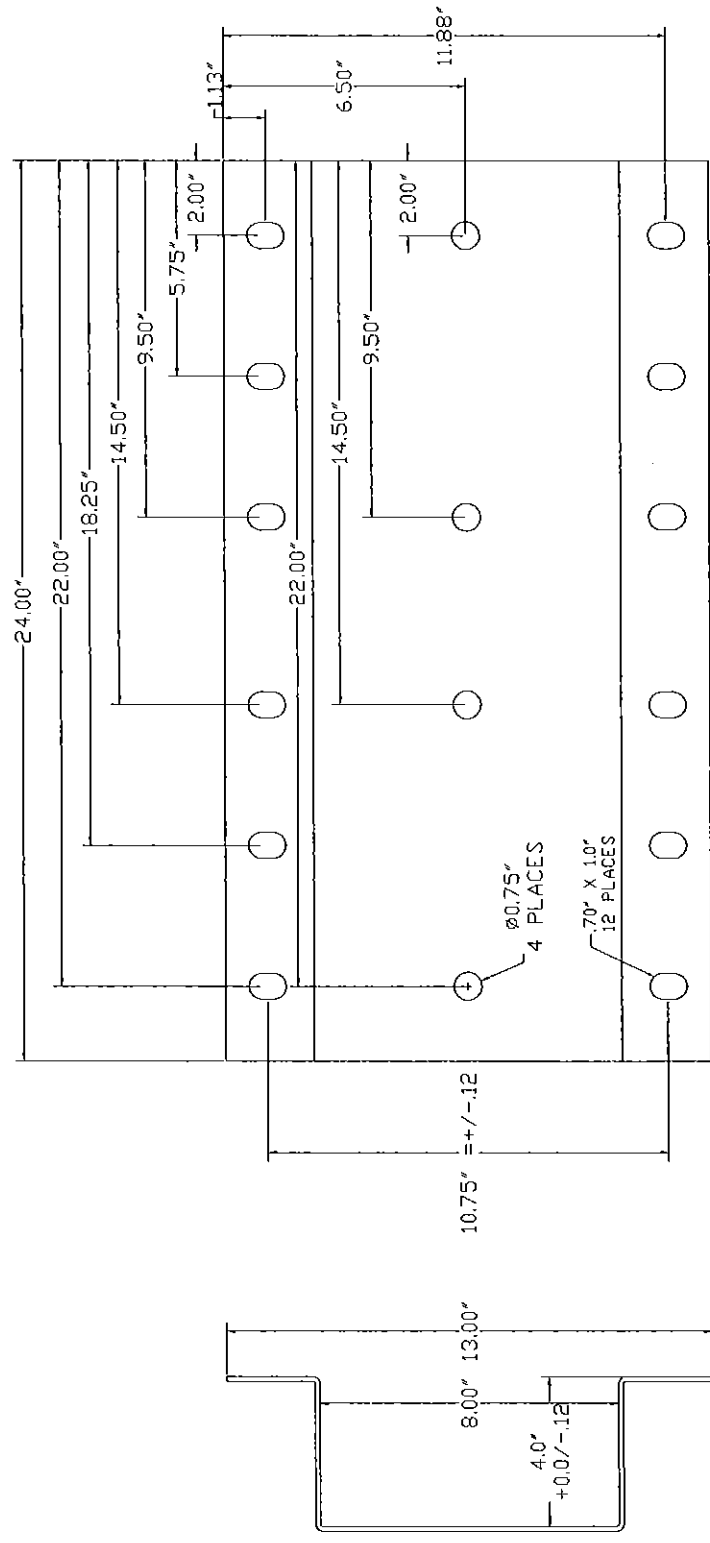
8" ROUND BACKER PLATE

PHOENIX FOUNDATION SYSTEM LLC
 17330 PRESTON ROAD
 SUIT 102-D
 DALLAS, TEXAS 75252

UNIQUE ENGINEERING SOLUTIONS, LLC.
 4177 CORPORATE WAY
 PALM HARBOR, FLORIDA 34683
 727-789-1618
 COA# 50913

Approved as complying with the
 Florida Building Code
 Date 06/18/2015
 NOA# 14-0923.02
 Miami Dade Product Control
 By *[Signature]*

NOTE:
 1. 0.500 SPRIG BACK ALLOWED IN FORM



SECURITY BOOT ALLOWABLE CAPACITY 40.4 KIPS*

NOTES:
 ALL MATERIAL SHALL BE AISI 1010 $\frac{1}{8}$ " PLATE STEEL
 FU=67KSI, FY=55KSI EQUIVALENT TO ASTM 572 GRADE 55
 ALL PLATE STEEL SHALL BE HOT DIP GALVANIZED (G90)
 ALL BOLTS SHALL $\frac{5}{8}$ " ϕ AND GRADE 8
 PROOF=120KSI, YIELD=130KSI, TENSILE=150KSI
 ALL BOLTS NUTS AND WASHERS SHALL BE HOT DIP GALVANIZED

*THE CAPACITY SHOWN IS FOR THE SECURITY BOOT ONLY.
 SITE SPECIFIC ENGINEERING SHALL BE PROVIDED TO SIZE
 THE PILING AND BEAMS, AND THEIR CORRESPONDING
 SPECIFICATIONS. THE OVERALL CAPACITY OF THE
 FOUNDATION SYSTEM SHALL BE DETERMINED BY THE
 LESSER CAPACITY OF THE THREE COMPONENTS

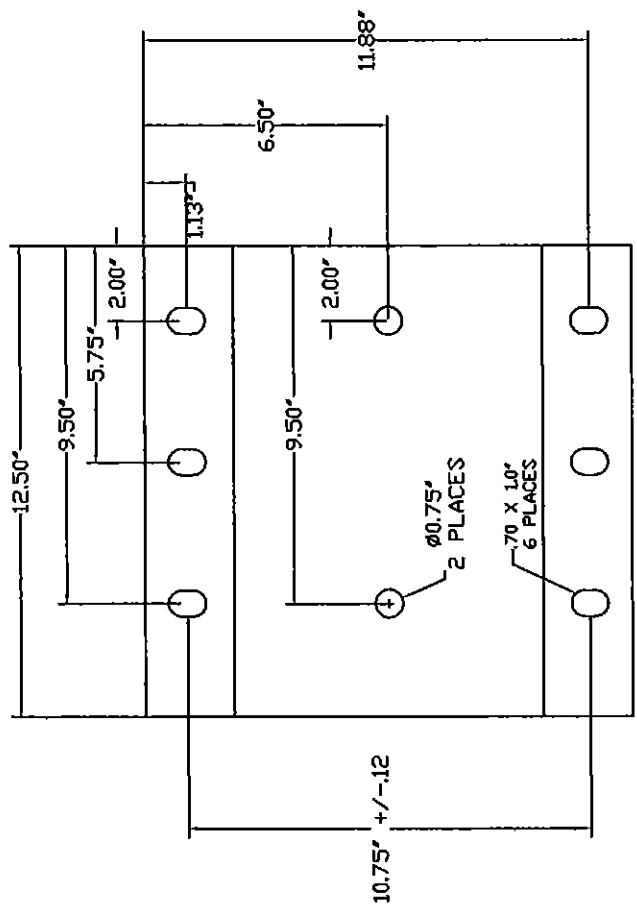
REVIS
 6/2/15

UNIQUE ENGINEERING SOLUTIONS, LLC.
 4177 CORPORATE WAY
 PALM HARBOR, FLORIDA 34683
 727-789-1618
 COA# 30913

PHOENIX FOUNDATION SYSTEM LLC
 17330 PRESTON ROAD
 SUIT 102-D
 DALLAS, TEXAS 75252

Approved as complying with the
 Florida Building Code
 Date 06/18/2015
 NOA# 14-0973.02
 Miami Dade Product Control
 By *Heather A. Miller*

NOTE:
 1. 0.500 SPRIG BACK ALLOWED IN FORM



SECURITY BOOT ALLOWABLE CAPACITY 40.4 KIPS*

REVISION
 6/2/15

NOTES:
 ALL MATERIAL SHALL BE AISI 1010 1/2" PLATE STEEL
 FU=67KSI, FY=55KSI EQUIVALENT TO ASTM 572 GRADE 55
 ALL PLATE STEEL SHALL BE HOT DIP GALVANIZED (G90)
 ALL BOLTS SHALL 3/8" Ø AND GRADE 8
 PROOF=120KSI, YIELD=130KSI, TENSILE=150KSI
 ALL BOLTS NUTS AND WASHERS SHALL BE HOT DIP GALVANIZED

*THE CAPACITY SHOWN IS FOR THE SECURITY BOOT ONLY.
 SITE SPECIFIC ENGINEERING SHALL BE PROVIDED TO SIZE
 THE PILING AND BEAMS, AND THEIR CORRESPONDING
 SPECIFICATIONS. THE OVERALL CAPACITY OF THE
 FOUNDATION SYSTEM SHALL BE DETERMINED BY THE
 LESSER CAPACITY OF THE THREE COMPONENTS

SEAL

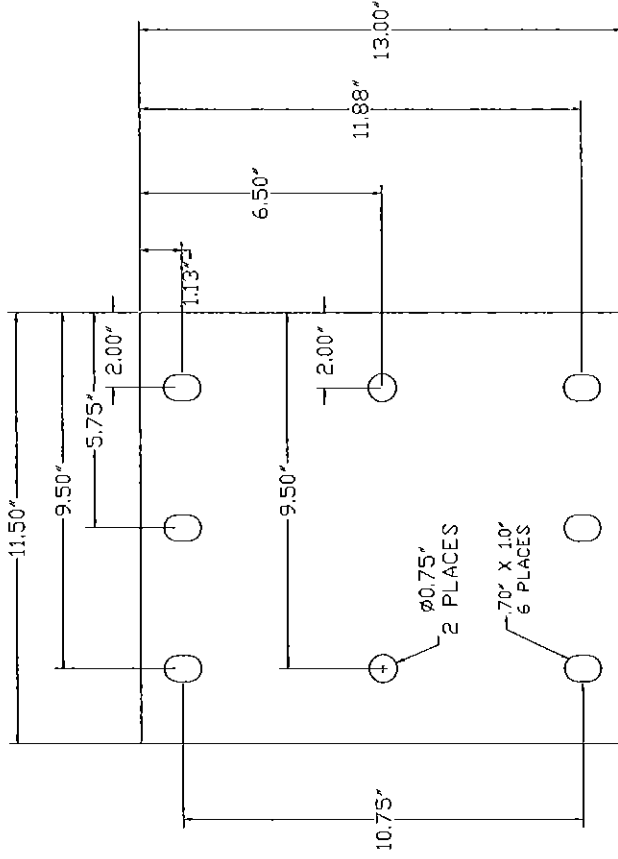
DWN:ADH 8" SQUARE LOWER PLATE FORM

PHOENIX FOUNDATION SYSTEM LLC
 17330 PRESTON ROAD
 SUIT 102-D
 DALLAS, TEXAS 75252

UNIQUE ENGINEERING SOLUTIONS, LLC.
 4177 CORPORATE WAY
 PALM HARBOR, FLORIDA 34683
 727-789-1618
 COA# 30913

Approved as complying with the
 Florida Building Code
 Date 6/18/2015
 NOA# 14-0973.02
 Miami Dade Product Control
 By *[Signature]*

NOTE:
 1. 0.500 SPRIG BACK ALLOWED IN FORM



SECURITY BOOT ALLOWABLE CAPACITY 40.4 KIPS*

NOTES:
 ALL MATERIAL SHALL BE AISI 1010 1/8" PLATE STEEL
 FU=67KSI, FY=55KSI EQUIVALENT TO ASTM 572 GRADE 55
 ALL PLATE STEEL SHALL BE HOT DIP GALVANIZED (G90)
 ALL BOLTS SHALL 3/8" Ø AND GRADE 8
 PROOF=120KSI, YIELD=130KSI, TENSILE=150KSI
 ALL BOLTS NUTS AND WASHERS SHALL BE HOT DIP GALVANIZED

*THE CAPACITY SHOWN IS FOR THE SECURITY BOOT ONLY.
 SITE SPECIFIC ENGINEERING SHALL BE PROVIDED TO SIZE
 THE PILING AND BEAMS, AND THEIR CORRESPONDING
 SPECIFICATIONS, THE OVERALL CAPACITY OF THE
 FOUNDATION SYSTEM SHALL BE DETERMINED BY THE
 LESSER CAPACITY OF THE THREE COMPONENTS

[Handwritten Signature]
 4/2/15

SEAL

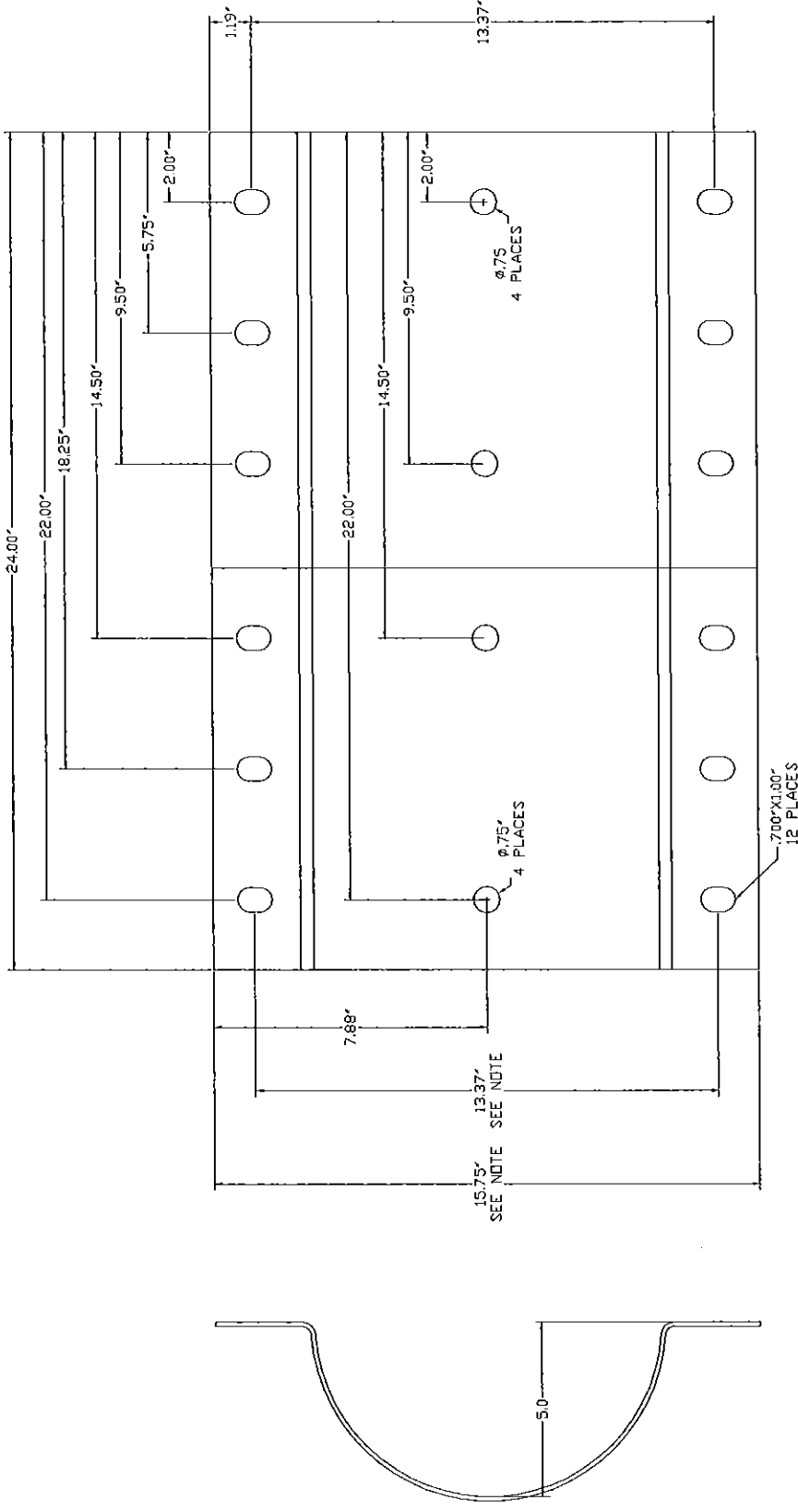
DWN:ADH 8" SQUARE BACKER PLATE

PHOENIX FOUNDATION SYSTEM LLC
 17330 PRESTON ROAD
 SUIT 102-D
 DALLAS, TEXAS 75252

UNIQUE ENGINEERING SOLUTIONS, LLC.
 4177 CORPORATE WAY
 PALM HARBOR, FLORIDA 34683
 727-789-1618
 COM# 30913

Approved as complying with the
 Florida Building Code
 Date 06/18/2015
 NOA# 14-0923.02
 Miami Dade Product Control
 By *[Signature]*

NOTE:
 1. 0.500 SPRIG BACK ALLOWED IN FORM



SECURITY BOOT ALLOWABLE CAPACITY 40.4 KIPS*

*THE CAPACITY SHOWN IS FOR THE SECURITY BOOT ONLY. SITE SPECIFIC ENGINEERING SHALL BE PROVIDED TO SIZE THE PILING AND BEAMS, AND THEIR CORRESPONDING SPECIFICATIONS. THE OVERALL CAPACITY OF THE FOUNDATION SYSTEM SHALL BE DETERMINED BY THE LESSER CAPACITY OF THE THREE COMPONENTS

NOTES:
 ALL MATERIAL SHALL BE AISI 1010 1/2" PLATE STEEL
 FU=67KSI, FY=55KSI EQUIVALENT TO ASTM 572 GRADE 55
 ALL PLATE STEEL SHALL BE HOT DIP GALVANIZED (G90)
 ALL BOLTS SHALL 3/8" Ø AND GRADE 8
 PROOF=120KSI, YIELD=130KSI, TENSILE=150KSI
 ALL BOLTS NUTS AND WASHERS SHALL BE HOT DIP GALVANIZED

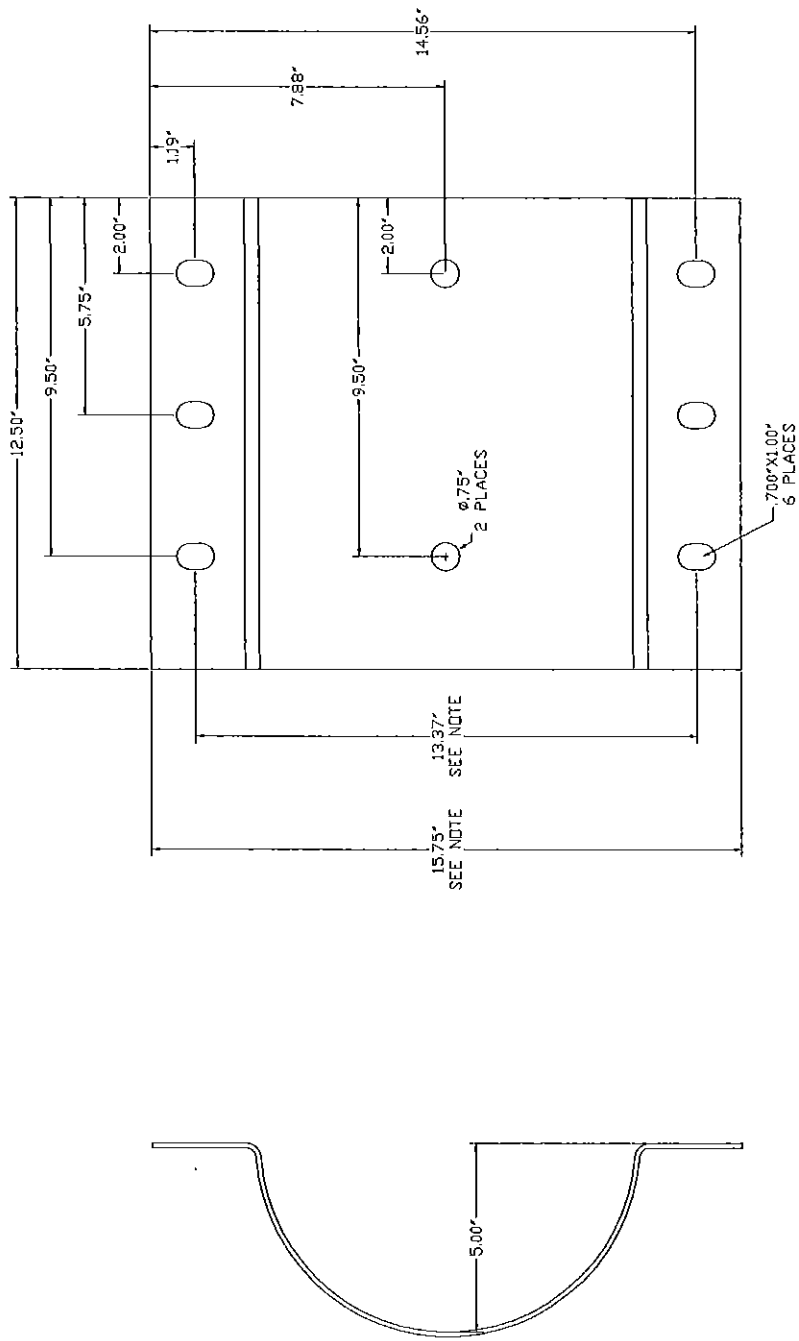
Revised
6/2/15

UNIQUE ENGINEERING SOLUTIONS, LLC.
 4177 CORPORATE WAY
 PALM HARBOR, FLORIDA 34683
 727-789-1618
 CO.# 30913

PHOENIX FOUNDATION SYSTEM LLC
 17330 PRESTON ROAD
 SUIT 102-D
 DALLAS, TEXAS 75252

Approved as complying with the
 Florida Building Code
 Date 06/18/2015
 NOA# 14-0973-02
 Miami Dade Product Control
 By *Healy A. Miller*

NOTE:
 1. 0.500 SPRIG BACK ALLOWED IN FORM



SECURITY BOOT ALLOWABLE CAPACITY 40.4 KIPS*

Row
6/21/15

NOTES:
 ALL MATERIAL SHALL BE AISI 1010 $\frac{1}{4}$ " PLATE STEEL
 FU=67KSI, FY=55KSI EQUIVALENT TO ASTM S72 GRADE 55
 ALL PLATE STEEL SHALL BE HOT DIP GALVANIZED (G90)
 ALL BOLTS SHALL $\frac{3}{4}$ " ϕ AND GRADE 8
 PROOF=120KSI, YIELD=130KSI, TENSILE=150KSI
 ALL BOLTS NUTS AND WASHERS SHALL BE HOT DIP GALVANIZED

*THE CAPACITY SHOWN IS FOR THE SECURITY BOOT ONLY.
 SITE SPECIFIC ENGINEERING SHALL BE PROVIDED TO SIZE
 THE PILLINGS AND BEAMS, AND THEIR CORRESPONDING
 SPECIFICATIONS. THE OVERALL CAPACITY OF THE
 FOUNDATION SYSTEM SHALL BE DETERMINED BY THE
 LESSER CAPACITY OF THE THREE COMPONENTS

SEAL

DWN:ADH 10" ROUND LOWER PLATE FORM

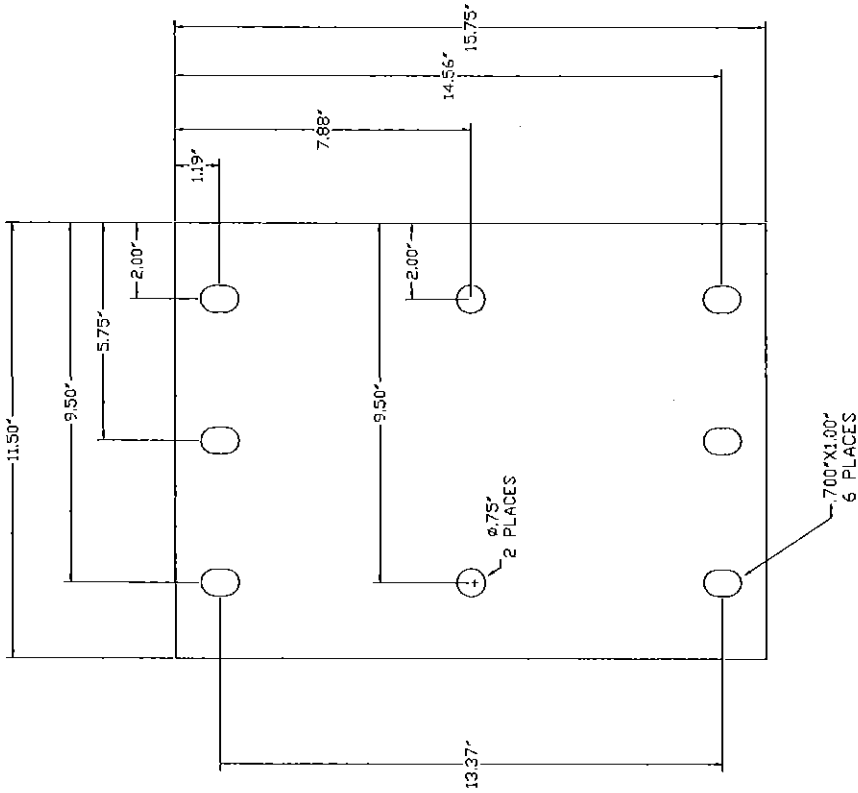
PAGE NUMBER 8 OF 21

UNIQUE ENGINEERING SOLUTIONS, LLC.
 4177 CORPORATE WAY
 PALM HARBOR, FLORIDA 34683
 727-789-1618
 COA# 30913

PHOENIX FOUNDATION SYSTEM LLC
 17330 PRESTON ROAD
 SUIT 102-D
 DALLAS, TEXAS 75252

Approved as complying with the
 Florida Building Code
 Date 06/18/2015
 NOA# 12-0973-02
 Miami Dade Product Control
 By *[Signature]*

NOTE:
 1. 0.500 SPRIG BACK ALLOWED IN FORM



SECURITY BOOT ALLOWABLE CAPACITY 40.4 KIPS*

[Handwritten Signature]
 4/2/15

NOTES:
 ALL MATERIAL SHALL BE AISI 1010 1/8" PLATE STEEL
 FU=67KSI, FY=55KSI EQUIVALENT TO ASTM 572 GRADE 55
 ALL PLATE STEEL SHALL BE HOT DIP GALVANIZED (G90)
 ALL BOLTS SHALL 3/8" Ø AND GRADE 8
 PROOF=120KSI, YIELD=130KSI, TENSILE=150KSI
 ALL BOLTS NUTS AND WASHERS SHALL BE HOT DIP GALVANIZED

*THE CAPACITY SHOWN IS FOR THE SECURITY BOOT ONLY.
 SITE SPECIFIC ENGINEERING SHALL BE PROVIDED TO SIZE
 THE PILING AND BEAMS, AND THEIR CORRESPONDING
 SPECIFICATIONS. THE OVERALL CAPACITY OF THE
 FOUNDATION SYSTEM SHALL BE DETERMINED BY THE
 LESSER CAPACITY OF THE THREE COMPONENTS

SEAL

DWIN:ADH 10" ROUND BACKER PLATE

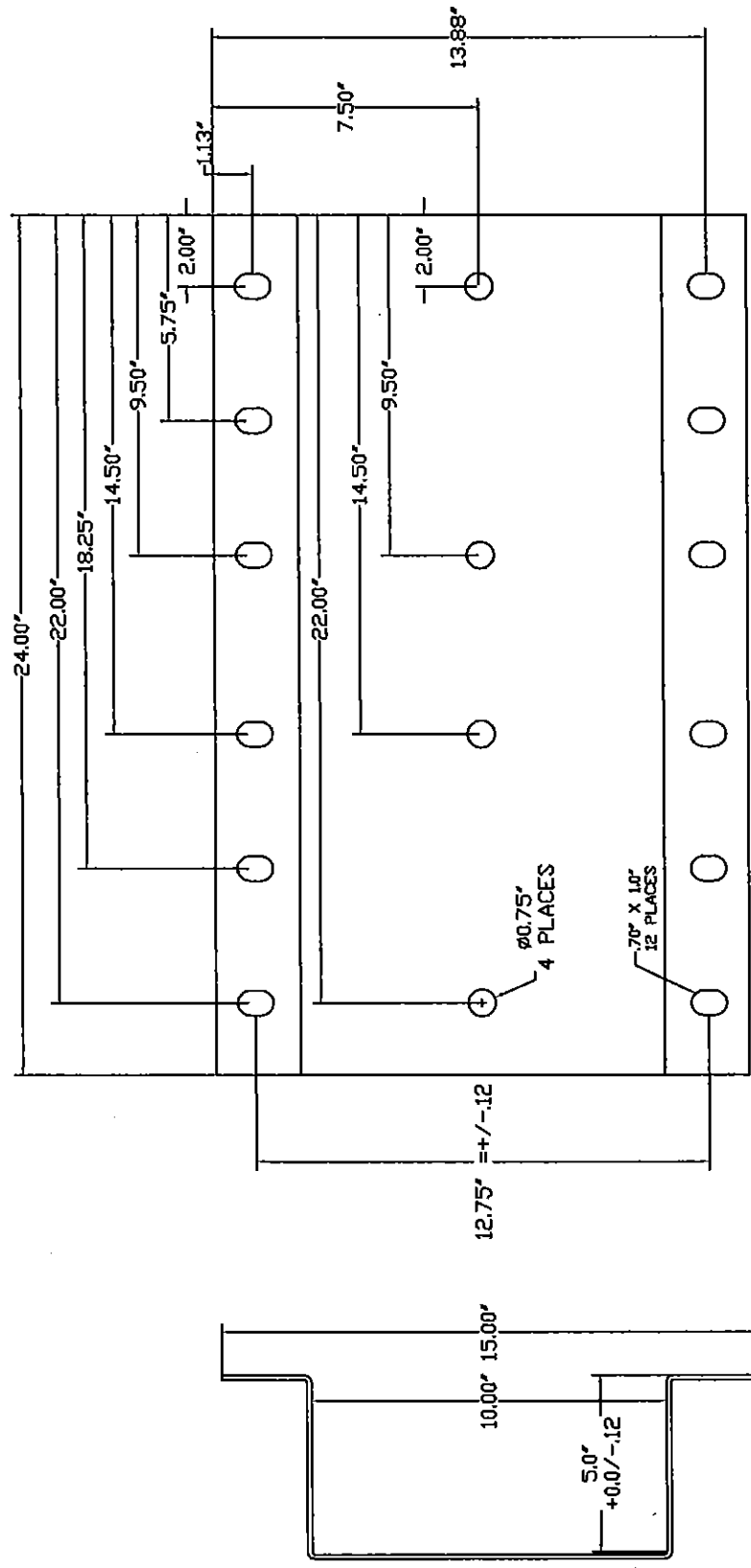
Approved as complying with the
Florida Building Code
Date: 06/18/2015
NOA# 14-0973.02
Miami Dade Product Control

By: *[Signature]*

UNIQUE ENGINEERING SOLUTIONS, LLC.
4177 CORPORATE WAY
PALM HARBOR, FLORIDA 34683
727-789-1618
COA# 30913

PHOENIX FOUNDATION SYSTEM LLC
17330 PRESTON ROAD
SUITE 102-D
DALLAS, TEXAS 75252

NOTE:
1. 0.500 SPRIG BACK ALLOWED IN FORM



SECURITY BOOT ALLOWABLE CAPACITY 40.4 KIPS*

NOTES:
ALL MATERIAL SHALL BE AISI 1010 1/2" PLATE STEEL
FU=67KSI, FY=55KSI EQUIVALENT TO ASTM 572 GRADE 55
ALL PLATE STEEL SHALL BE HOT DIP GALVANIZED (G90)
ALL BOLTS SHALL 3/8" Ø AND GRADE 8
PROOF=120KSI, YIELD=130KSI, TENSILE=150KSI
ALL BOLTS NUTS AND WASHERS SHALL BE HOT DIP GALVANIZED

*THE CAPACITY SHOWN IS FOR THE SECURITY BOOT ONLY.
SITE SPECIFIC ENGINEERING SHALL BE PROVIDED TO SIZE
THE PILLINGS AND BEAMS, AND THEIR CORRESPONDING
SPECIFICATIONS. THE OVERALL CAPACITY OF THE
FOUNDATION SYSTEM SHALL BE DETERMINED BY THE
LESSER CAPACITY OF THE THREE COMPONENTS

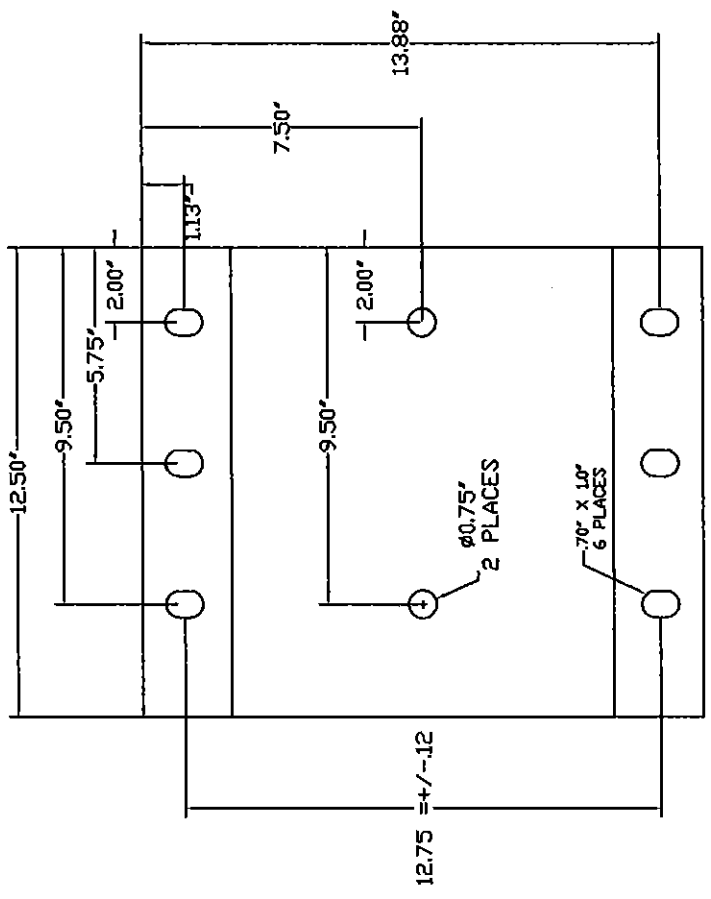
[Signature]
4/21/16

UNIQUE ENGINEERING SOLUTIONS, LLC.
 4177 CORPORATE WAY
 PALM HARBOR, FLORIDA 34683
 727-789-1618
 COA# 30913

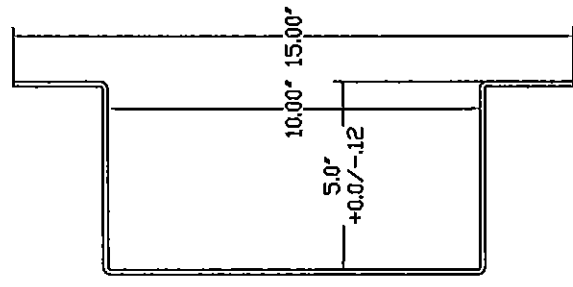
PHOENIX FOUNDATION SYSTEM LLC
 17330 PRESTON ROAD
 SUIT 102-D
 DALLAS, TEXAS 75252

Approved as complying with the
 Florida Building Code
 Date 06/18/2015
 NOA# 14-0923.02
 Miami Dade Product Control
 By *He G. Alford*

NOTE:
 1. 0.500 SPRIG BACK ALLOWED IN FORM



SECURITY BOOT ALLOWABLE CAPACITY 40.4 KIPS*



Handwritten signature and date: 6/2/15

NOTES:
 ALL MATERIAL SHALL BE AISI 1010 1/4" PLATE STEEL
 FU=67KSI, FY=55KSI EQUIVALENT TO ASTM 572 GRADE 55
 ALL PLATE STEEL SHALL BE HOT DIP GALVANIZED (G90)
 ALL BOLTS SHALL 3/8" Ø AND GRADE 8
 PROOF=120KSI, YIELD=130KSI, TENSILE=150KSI
 ALL BOLTS NUTS AND WASHERS SHALL BE HOT DIP GALVANIZED

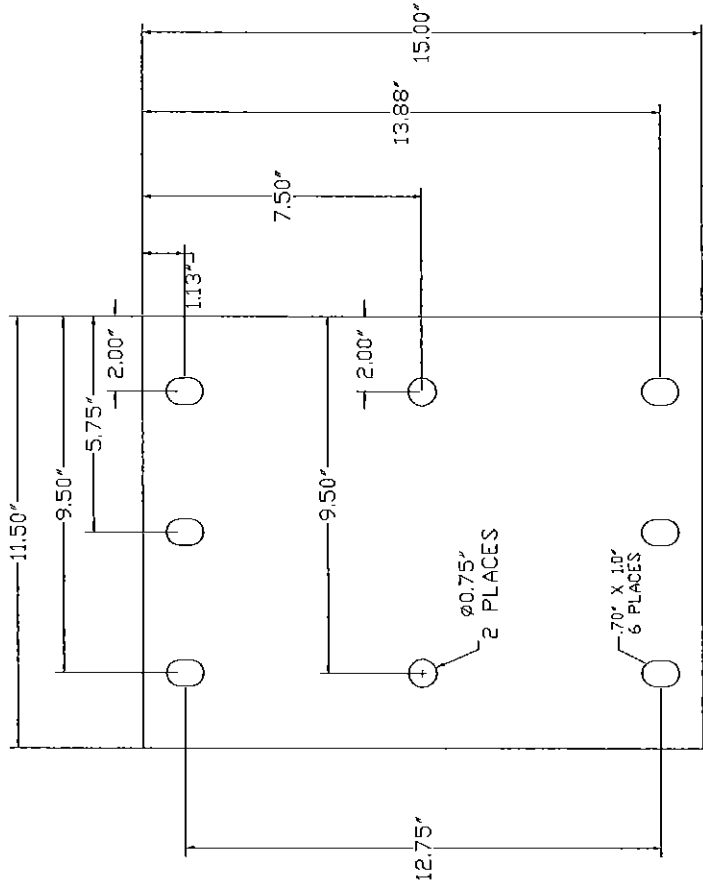
*THE CAPACITY SHOWN IS FOR THE SECURITY BOOT ONLY.
 SITE SPECIFIC ENGINEERING SHALL BE PROVIDED TO SIZE
 THE PILING AND BEAMS, AND THEIR CORRESPONDING
 FOUNDATION SYSTEM SHALL BE DETERMINED BY THE
 LESSER CAPACITY OF THE THREE COMPONENTS

PHOENIX FOUNDATION SYSTEM LLC
 17330 PRESTON ROAD
 SUIT 102-D
 DALLAS, TEXAS 75252

UNIQUE ENGINEERING SOLUTIONS, LLC.
 4177 CORPORATE WAY
 PALM HARBOR, FLORIDA 34683
 727-789-1618
 COA# 30913

Approved as complying with the
 Florida Building Code
 Date 06/18/2015
 NOA# 14-0913.02
 Miami Dade Product Control
 By *Heidi A. Allen*

NOTE:
 1. 0.500 SPRIG BACK ALLOWED IN FORM



SECURITY BOOT ALLOWABLE CAPACITY 40.4 KIPS*

NOTES:
 ALL MATERIAL SHALL BE AISI 1010 $\frac{1}{8}"$ PLATE STEEL
 FU=67KSI, FY=55KSI EQUIVALENT TO ASTM 572 GRADE 55
 ALL PLATE STEEL SHALL BE HOT DIP GALVANIZED (G90)
 ALL BOLTS SHALL BE $\frac{3}{8}"$ ϕ AND GRADE 8
 PROOF=120KSI, YIELD=130KSI, TENSILE=150KSI
 ALL BOLTS NUTS AND WASHERS SHALL BE HOT DIP GALVANIZED

*THE CAPACITY SHOWN IS FOR THE SECURITY BOOT ONLY.
 SITE SPECIFIC ENGINEERING SHALL BE PROVIDED TO SIZE
 THE PILING AND BEAMS, AND THEIR CORRESPONDING
 SPECIFICATIONS. THE OVERALL CAPACITY OF THE
 FOUNDATION SYSTEM SHALL BE DETERMINED BY THE
 LESSER CAPACITY OF THE THREE COMPONENTS

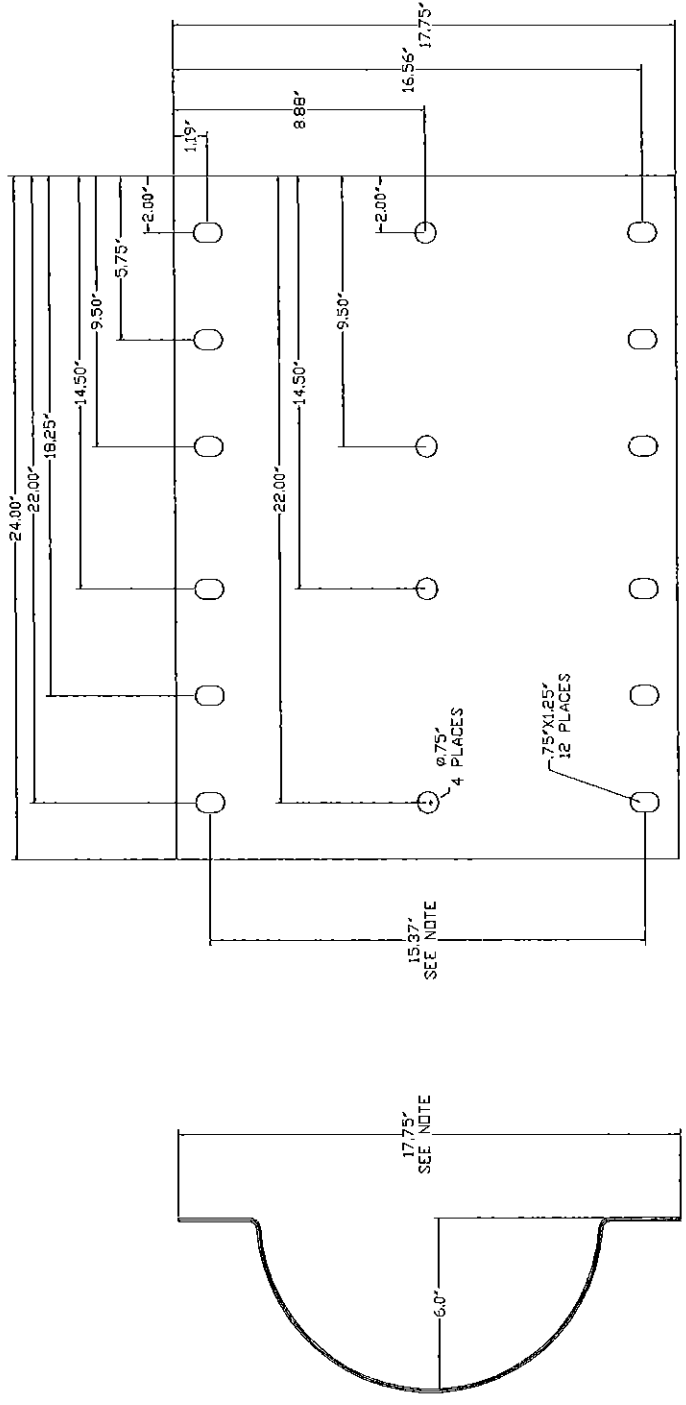
R2202
4/2/15

PHOENIX FOUNDATION SYSTEM LLC
 17330 PRESTON ROAD
 SUIT 102-D
 DALLAS, TEXAS 75252

UNIQUE ENGINEERING SOLUTIONS, LLC.
 4177 CORPORATE WAY
 PALM HARBOR, FLORIDA 34683
 727-789-1618
 COA# 30913

Approved as complying with the
 Florida Building Code
 Date 06/18/2015
 NOA# 14-0973.02
 Miami Dade Product Control
 By *Heather*

NOTE:
 1. 0.500 SPRIG BACK ALLOWED IN FORM



SECURITY BOOT ALLOWABLE CAPACITY 40.4 KIPS*

*THE CAPACITY SHOWN IS FOR THE SECURITY BOOT ONLY. SITE SPECIFIC ENGINEERING SHALL BE PROVIDED TO SIZE THE PILING AND BEAMS, AND THEIR CORRESPONDING SPECIFICATIONS. THE OVERALL CAPACITY OF THE FOUNDATION SYSTEM SHALL BE DETERMINED BY THE LESSER CAPACITY OF THE THREE COMPONENTS

NOTES:
 ALL MATERIAL SHALL BE AISI 1010 1/2" PLATE STEEL
 FU=67KSI, FY=55KSI EQUIVALENT TO ASTM 572 GRADE 55
 ALL PLATE STEEL SHALL BE HOT DIP GALVANIZED (G90)
 ALL BOLTS SHALL 3/8" Ø AND GRADE 8
 PROOF=120KSI, YIELD=130KSI, TENSILE=150KSI
 ALL BOLTS NUTS AND WASHERS SHALL BE HOT DIP GALVANIZED

02/15/15
4/2/15

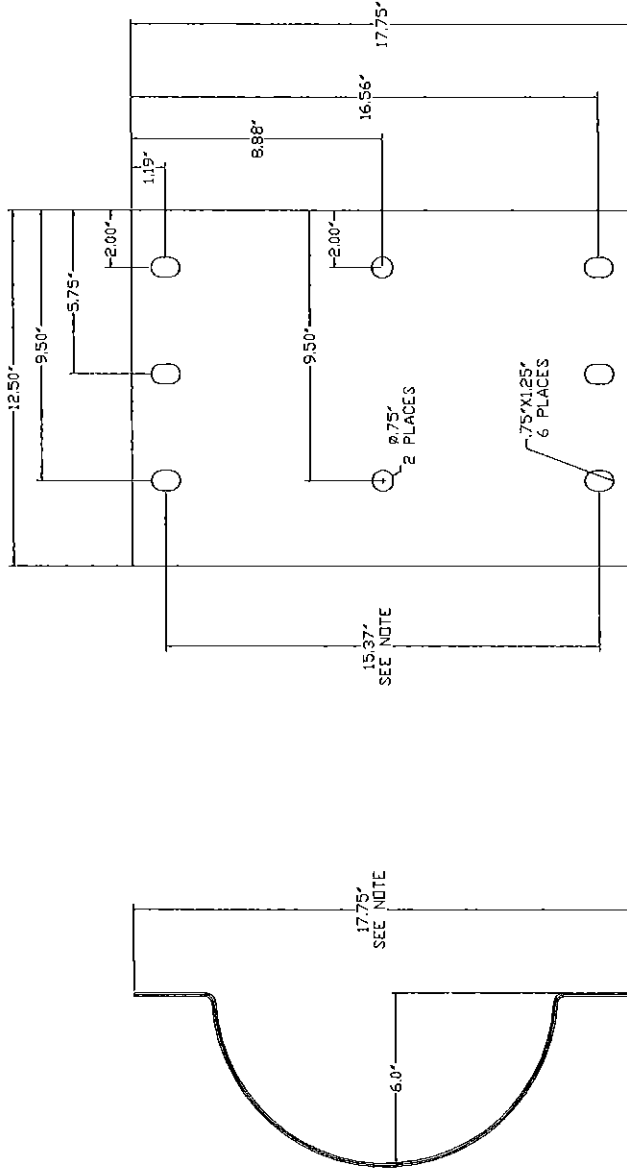
PHOENIX FOUNDATION SYSTEM LLC
 17330 PRESTON ROAD
 SUIT 102-D
 DALLAS, TEXAS 75252

UNIQUE ENGINEERING SOLUTIONS, LLC.
 4177 CORPORATE WAY
 PALM HARBOR, FLORIDA 34683
 727-789-1618
 COA# 30913

Approved as complying with the
 Florida Building Code
 Date 06/18/2015
 NOA# 14-0923-01
 Miami Dade Product Control

By *[Signature]*

NOTE:
 1. 0.500 SPRIG BACK ALLOWED IN FORM



SECURITY BOOT ALLOWABLE CAPACITY 40.4 KIPS*

*THE CAPACITY SHOWN IS FOR THE SECURITY BOOT ONLY. SITE SPECIFIC ENGINEERING SHALL BE PROVIDED TO SIZE THE PILING AND BEAMS, AND THEIR CORRESPONDING SPECIFICATIONS. THE OVERALL CAPACITY OF THE FOUNDATION SYSTEM SHALL BE DETERMINED BY THE LESSER CAPACITY OF THE THREE COMPONENTS

NOTES:
 ALL MATERIAL SHALL BE AISI 1010 1/2" PLATE STEEL
 FU=67KSI, FY=55KSI EQUIVALENT TO ASTM 572 GRADE 55
 ALL PLATE STEEL SHALL BE HOT DIP GALVANIZED (G90)
 ALL BOLTS SHALL 3/4" Ø AND GRADE 8
 PROOF=120KSI, YIELD=130KSI, TENSILE=150KSI
 ALL BOLTS NUTS AND WASHERS SHALL BE HOT DIP GALVANIZED

[Handwritten Signature]
 4/2/16

SEAL

DWN:ADH 12" ROUND LOWER PLATE FORM

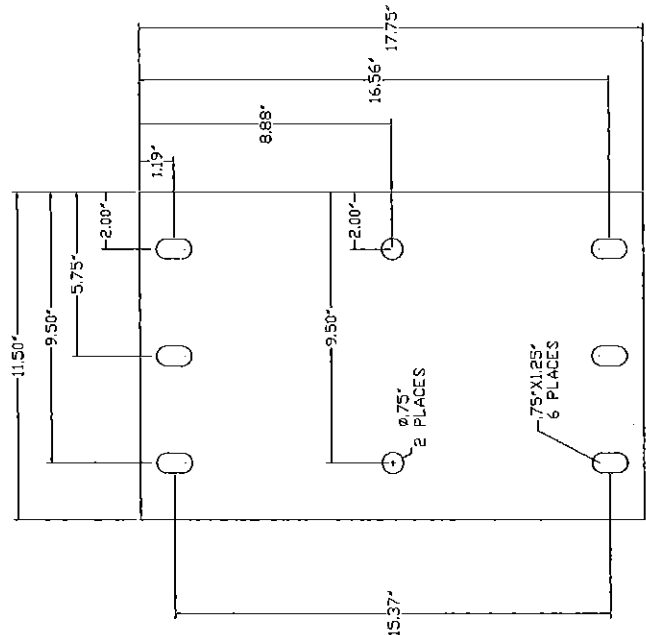
PAGE NUMBER 14 OF 21

PHOENIX FOUNDATION SYSTEM LLC
 17330 PRESTON ROAD
 SUIT 102-D
 DALLAS, TEXAS 75252

UNIQUE ENGINEERING SOLUTIONS, LLC.
 4177 CORPORATE WAY
 PALM HARBOR, FLORIDA 34683
 727-789-1618
 COA# 30913

Approved as complying with the
 Florida Building Code
 Date 06/18/2015
 NOA# 12-0973.02
 Miami Dade Product Control
 By *[Signature]*

NOTE:
 1. 0.500 SPRIG BACK ALLOWED IN FORM



SECURITY BOOT ALLOWABLE CAPACITY 40.4 KIPS*

NOTES:
 ALL MATERIAL SHALL BE A1010 1/4" PLATE STEEL
 FU=67KSI, FY=55KSI EQUIVALENT TO ASTM 572 GRADE 55
 ALL PLATE STEEL SHALL BE HOT DIP GALVANIZED (G90)
 ALL BOLTS SHALL 3/8" Ø AND GRADE 8
 PRODF=120KSI, YIELD=130KSI, TENSILE=150KSI
 ALL BOLTS NUTS AND WASHERS SHALL BE HOT DIP GALVANIZED

*THE CAPACITY SHOWN IS FOR THE SECURITY BOOT ONLY.
 SITE SPECIFIC ENGINEERING SHALL BE PROVIDED TO SIZE
 THE PILING AND BEAMS, AND THEIR CORRESPONDING
 SPECIFICATIONS. THE OVERALL CAPACITY OF THE
 FOUNDATION SYSTEM SHALL BE DETERMINED BY THE
 LESSER CAPACITY OF THE THREE COMPONENTS

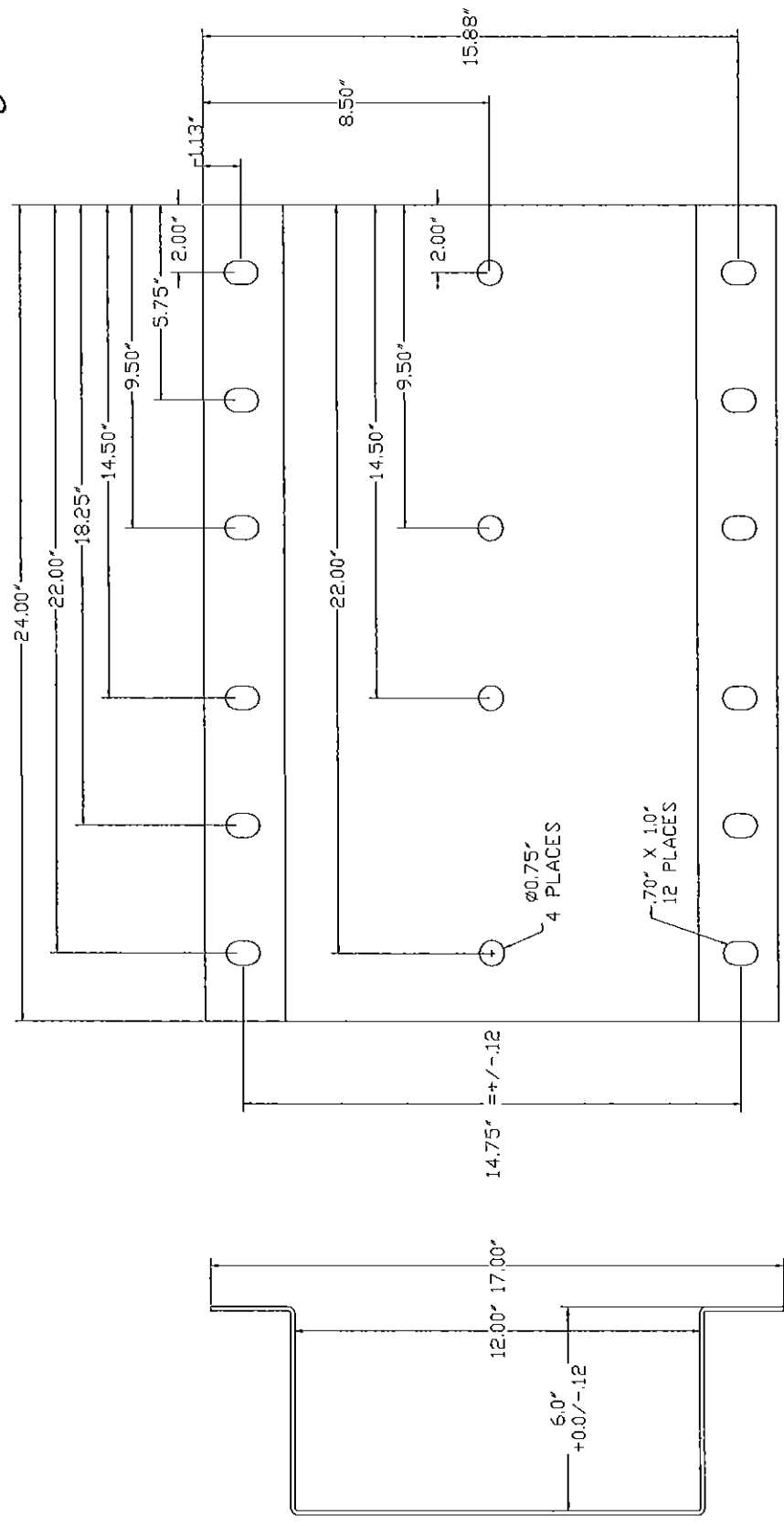
[Signature]
 4/2/15

UNIQUE ENGINEERING SOLUTIONS, LLC.
 4177 CORPORATE WAY
 PALM HARBOR, FLORIDA 34683
 727-789-1618
 COA# 30913

PHOENIX FOUNDATION SYSTEM LLC
 17330 PRESTON ROAD
 SUIT 102-D
 DALLAS, TEXAS 75252

Approved as complying with the
 Florida Building Code
 Date 06/18/2015
 NOA# 14-0973-02
 Miami Dade Product Control
 By *[Signature]*

NOTE:
 1. 0.500 SPRIG BACK ALLOWED IN FORM



SECURITY BOOT ALLOWABLE CAPACITY 40.4 KIPS*

NOTES:
 ALL MATERIAL SHALL BE AISI 1010 1/2" PLATE STEEL
 FU=67KSI, FY=55KSI EQUIVALENT TO ASTM 572 GRADE 55
 ALL PLATE STEEL SHALL BE HOT DIP GALVANIZED (G90)
 ALL BOLTS SHALL 3/8" Ø AND GRADE 8
 PROOF=120KSI, YIELD=130KSI, TENSILE=150KSI
 ALL BOLTS NUTS AND WASHERS SHALL BE HOT DIP GALVANIZED

*THE CAPACITY SHOWN IS FOR THE SECURITY BOOT ONLY.
 SITE SPECIFIC ENGINEERING SHALL BE PROVIDED TO SIZE
 THE PILING AND BEAMS, AND THEIR CORRESPONDING
 SPECIFICATIONS. THE OVERALL CAPACITY OF THE
 FOUNDATION SYSTEM SHALL BE DETERMINED BY THE
 LESSER CAPACITY OF THE THREE COMPONENTS

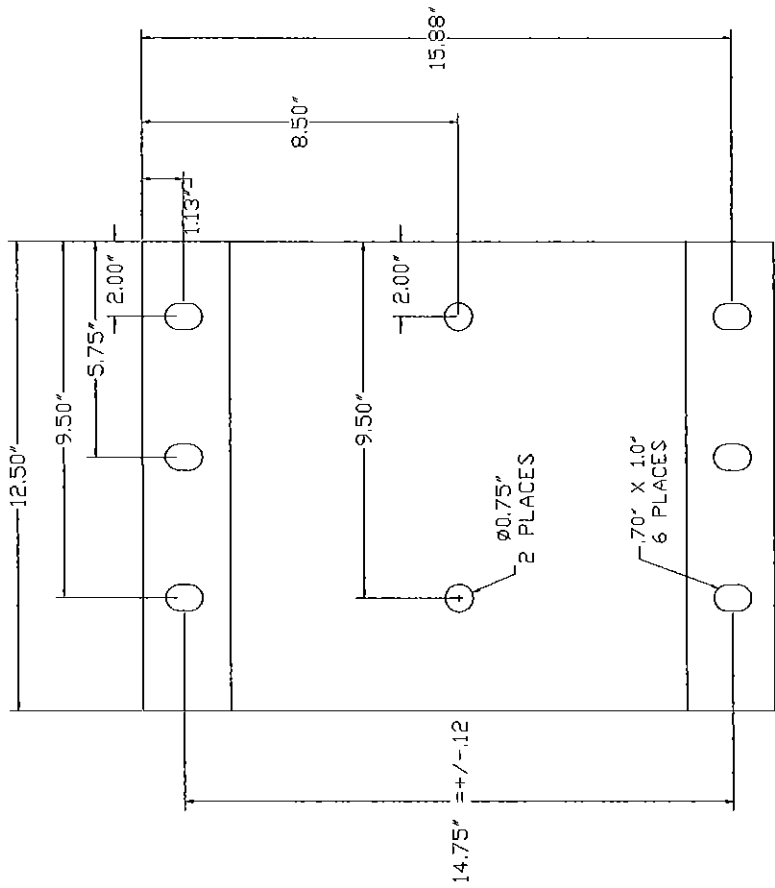
[Handwritten signature]
 4/2/15

UNIQUE ENGINEERING SOLUTIONS, LLC.
 4177 CORPORATE WAY
 PALM HARBOR, FLORIDA 34683
 727-789-1618
 COA# 30913

PHOENIX FOUNDATION SYSTEM LLC
 17330 PRESTON ROAD
 SUIT 102-D
 DALLAS, TEXAS 75252

Approved as complying with the
 Florida Building Code
 Date 06/18/2015
 NOA# 14-0973.02
 Miami Dade Product Control
 By: *[Signature]*

NOTE:
 1. 0.500 SPRIG BACK ALLOWED IN FORM



SECURITY BOOT ALLOWABLE CAPACITY 40.4 KIPS*

[Handwritten Signature]
 6/2/15

NOTES:
 ALL MATERIAL SHALL BE AISI 1010 1/2" PLATE STEEL
 FU=67KSI, FY=55KSI EQUIVALENT TO ASTM 572 GRADE 55
 ALL PLATE STEEL SHALL BE HOT DIP GALVANIZED (G90)
 ALL BOLTS SHALL BE 1/2" Ø AND GRADE 8
 PROOF=120KSI, YIELD=130KSI, TENSILE=150KSI
 ALL BOLTS NUTS AND WASHERS SHALL BE HOT DIP GALVANIZED

*THE CAPACITY SHOWN IS FOR THE SECURITY BOOT ONLY.
 SITE SPECIFIC ENGINEERING SHALL BE PROVIDED TO SIZE
 THE PILING AND BEAMS, AND THEIR CORRESPONDING
 SPECIFICATIONS. THE OVERALL CAPACITY OF THE
 FOUNDATION SYSTEM SHALL BE DETERMINED BY THE
 LESSER CAPACITY OF THE THREE COMPONENTS

SEAL

DWN:ADH 12" SQUARE LOWER PLATE FORM

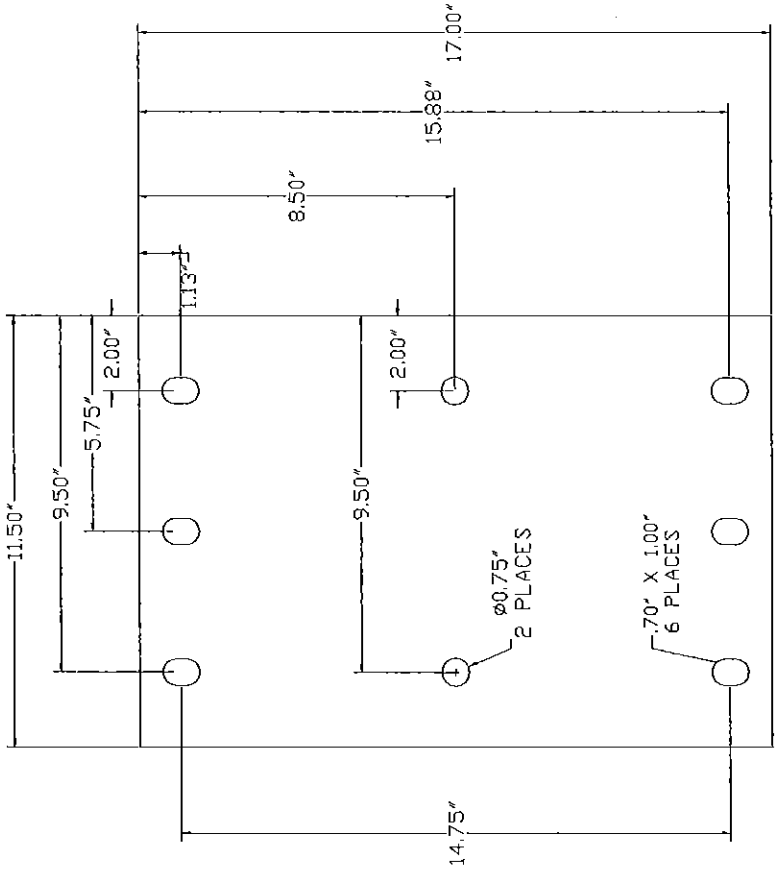
PAGE NUMBER 17 OF 21

UNIQUE ENGINEERING SOLUTIONS, LLC.
 4177 CORPORATE WAY
 PALM HARBOR, FLORIDA 34683
 727-789-1618
 COA# 30913

PHOENIX FOUNDATION SYSTEM LLC
 17330 PRESTON ROAD
 SUIT 102-D
 DALLAS, TEXAS 75252

Approved as complying with the
 Florida Building Code
 Date 06/18/2015
 NOA# 14-0973-02
 Miami Dade Product Control
 By *G.A. M...*

NOTE:
 1. 0.500 SPRIG BACK ALLOWED IN FORM



SECURITY BOOT ALLOWABLE CAPACITY 40.4 KIPS*

NOTES:
 ALL MATERIAL SHALL BE AISI 1010 $\frac{1}{8}$ " PLATE STEEL
 FU=67KSI, FY=55KSI EQUIVALENT TO ASTM 572 GRADE 55
 ALL PLATE STEEL SHALL BE HOT DIP GALVANIZED (G90)
 ALL BOLTS SHALL $\frac{1}{2}$ " ϕ AND GRADE 8
 PROOF=120KSI, YIELD=130KSI, TENSILE=150KSI
 ALL BOLTS NUTS AND WASHERS SHALL BE HOT DIP GALVANIZED

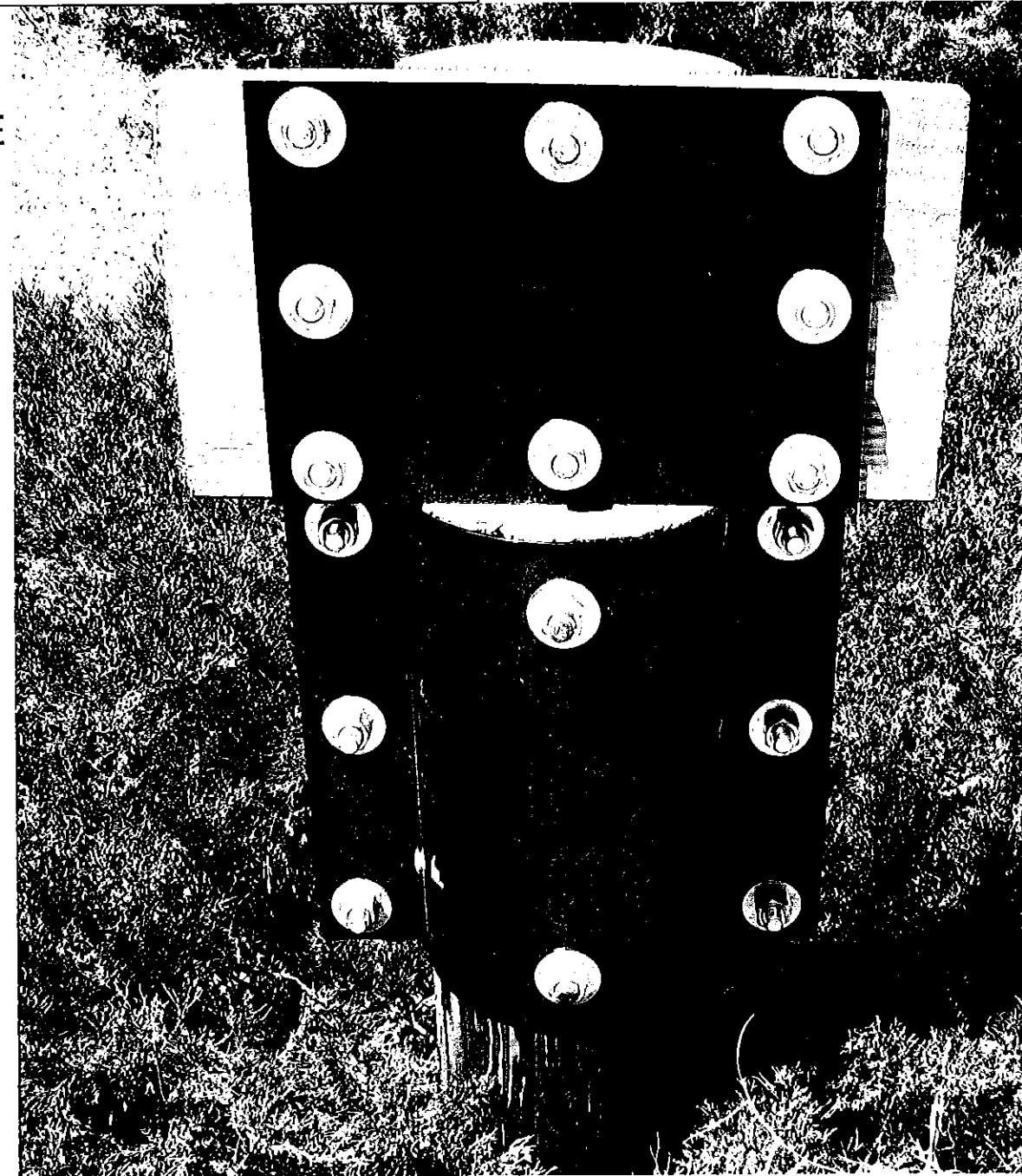
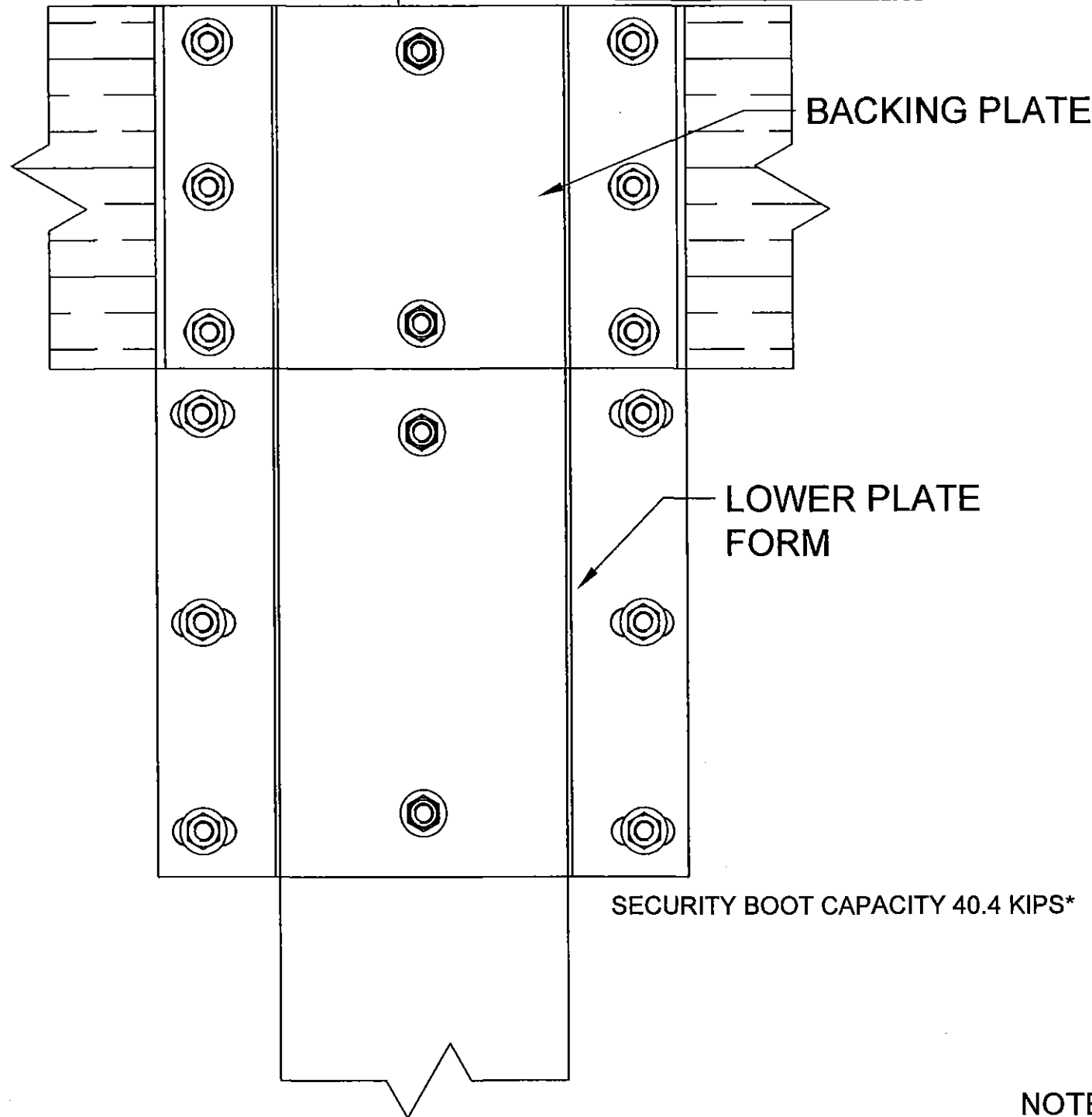
*THE CAPACITY SHOWN IS FOR THE SECURITY BOOT ONLY.
 SITE SPECIFIC ENGINEERING SHALL BE PROVIDED TO SIZE
 THE PILING AND BEAMS, AND THEIR CORRESPONDING
 SPECIFICATIONS. THE OVERALL CAPACITY OF THE
 FOUNDATION SYSTEM SHALL BE DETERMINED BY THE
 LESSER CAPACITY OF THE THREE COMPONENTS

SEAL
[Signature]
 6/2/16

OUTTER PLATE FORM
BEYOND

PHOENIX FOUNDATION SYSTEM LLC
17330 PRESTON ROAD
SUIT 102-D
DALLAS, TEXAS 75252

UNIQUE ENGINEERING SOLUTIONS, LLC.
4177 CORPORATE WAY
PALM HARBOR, FLORIDA 34683
727-789-1618
COA# 30913



Approved as complying with the
Florida Building Code
Date 06/18/2015
NOA# 14-0923.02
Miami Dade Product Control

By *H. G. A. M. L.*

*THE CAPACITY SHOWN IS FOR THE SECURITY BOOT ONLY.
SITE SPECIFIC ENGINEERING SHALL BE PROVIDED TO SIZE
THE PILINGS AND BEAMS, AND THEIR CORRESPONDING
SPECIFICATIONS. THE OVERALL CAPACITY OF THE
FOUNDATION SYSTEM SHALL BE DETERMINED BY THE
LESSER CAPACITY OF THE THREE COMPONENTS

NOTES:

- ALL MATERIAL SHALL BE AISI 1010 $\frac{1}{8}$ " PLATE STEEL
- FU=67KSI, FY=55KSI EQUIVALENT TO ASTM 572 GRADE 55
- ALL PLATE STEEL SHALL BE HOT DIP GALVANIZED (G90)
- ALL BOLTS SHALL $\frac{5}{8}$ " \emptyset AND GRADE 8
- PROOF=120KSI, YIELD=130KSI, TENSILE=150KSI
- ALL BOLTS NUTS AND WASHERS SHALL BE HOT DIP GALVANIZED (G90)

RDL
4/2/15

SEAL

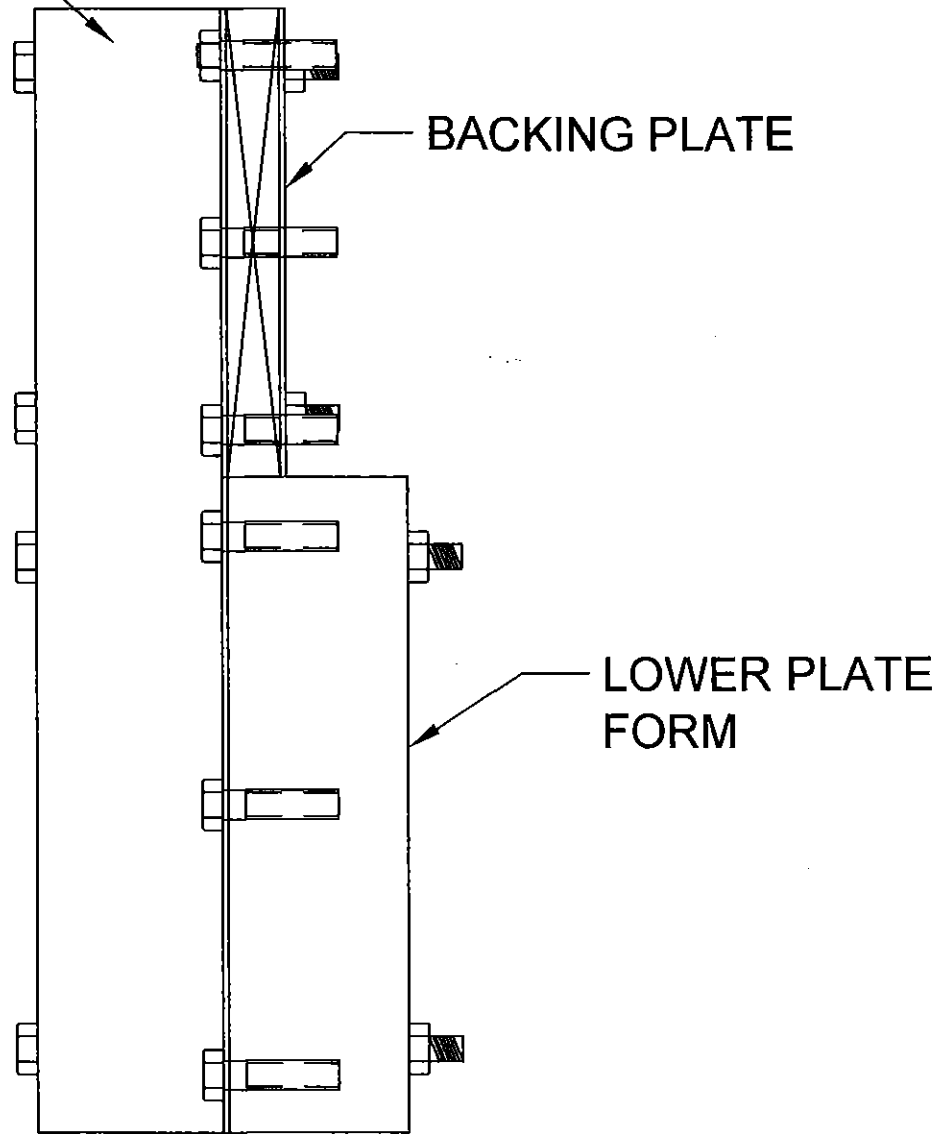
OWN:ADH

8" ROUND FRONT VIEW

PHOENIX FOUNDATION SYSTEM LLC
 17330 PRESTON ROAD
 SUIT 102-D
 DALLAS, TEXAS 75252

UNIQUE ENGINEERING SOLUTIONS, LLC.
 4177 CORPORATE WAY
 PALM HARBOR, FLORIDA 34683
 727-789-1618
 COA# 30913

OUTTER PLATE
 FORM



SECURITY BOOT CAPACITY 40.4 KIPS*

*THE CAPACITY SHOWN IS FOR THE SECURITY BOOT ONLY. SITE SPECIFIC ENGINEERING SHALL BE PROVIDED TO SIZE THE PILINGS AND BEAMS, AND THEIR CORRESPONDING SPECIFICATIONS. THE OVERALL CAPACITY OF THE FOUNDATION SYSTEM SHALL BE DETERMINED BY THE LESSER CAPACITY OF THE THREE COMPONENTS.

Handwritten: DWN
 6/2/15



Approved as complying with the
 Florida Building Code
 Date 06/18/2015
 NOA# 14-0923.02
 Miami Dade Product Control
 By *Handwritten Signature*

NOTES:

- ALL MATERIAL SHALL BE AISI 1010 $\frac{1}{8}$ " PLATE STEEL
- FU=67KSI, FY=55KSI EQUIVALENT TO ASTM 572 GRADE 55
- ALL PLATE STEEL SHALL BE HOT DIP GALVANIZED (G90)
- ALL BOLTS SHALL $\frac{5}{8}$ " \varnothing AND GRADE 8
- PROOF=120KSI, YIELD=130KSI, TENSILE=150KSI
- ALL BOLTS NUTS AND WASHERS SHALL BE HOT DIP GALVANIZED (G90)

SEAL

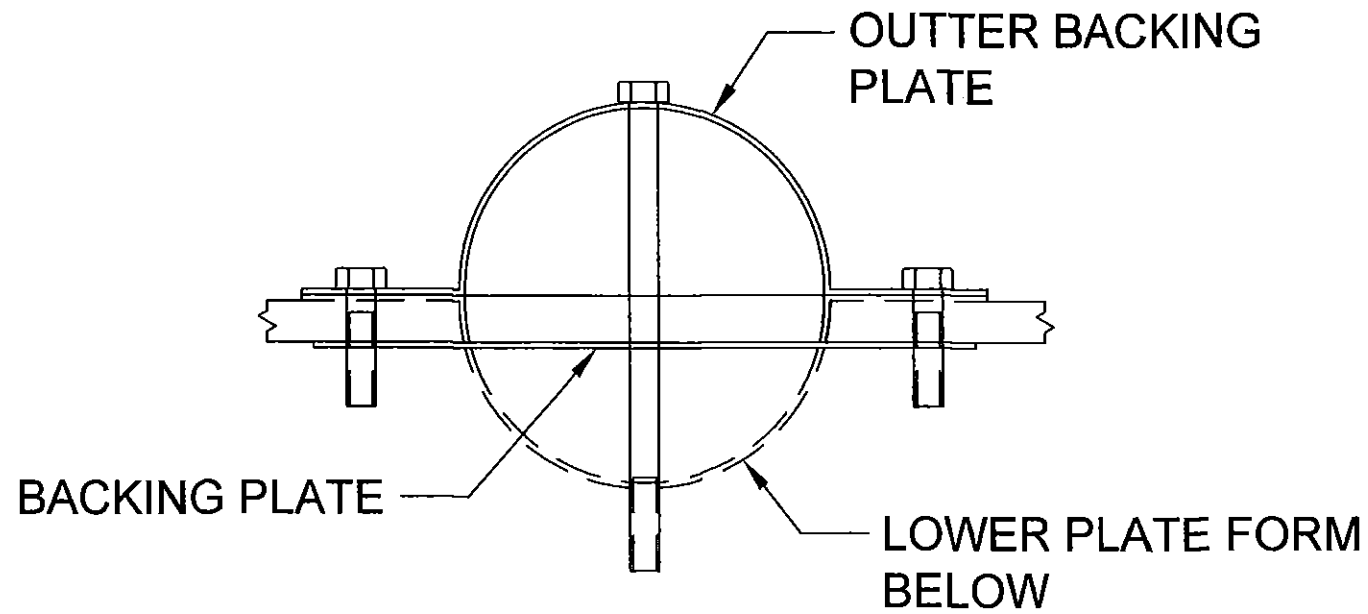
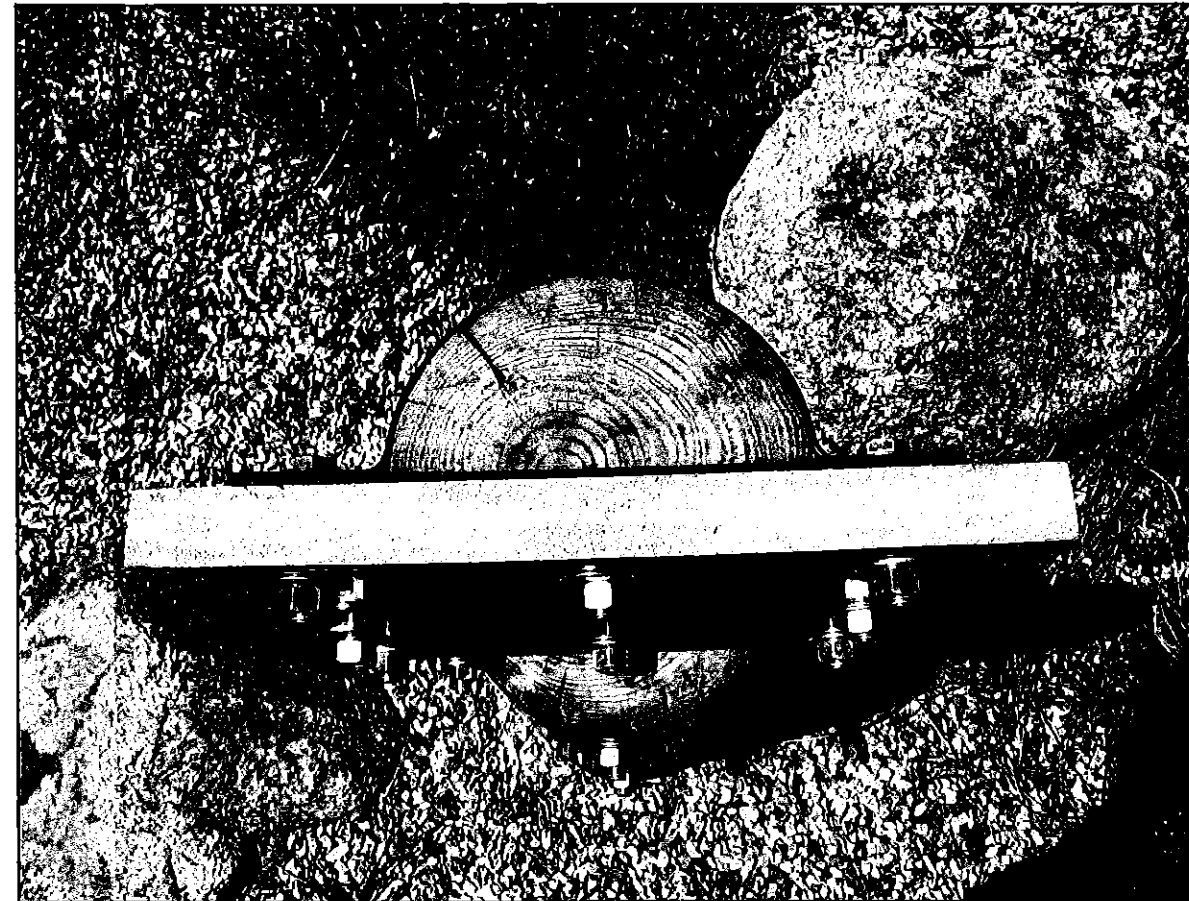
DWN:ADH

8" ROUND SIDE VIEW

PAGE NUMBER 20 OF 21

PHOENIX FOUNDATION SYSTEM LLC
 17330 PRESTON ROAD
 SUIT 102-D
 DALLAS, TEXAS 75252

UNIQUE ENGINEERING SOLUTIONS, LLC.
 4177 CORPORATE WAY
 PALM HARBOR, FLORIDA 34683
 727-789-1618
 COA# 30913



SECURITY BOOT CAPACITY 40.4 KIPS*

Approved as complying with the
 Florida Building Code
 Date 06/18/2015
 NOA# 14-0923.02
 Miami Dade Product Control
 By *[Signature]*

NOTES:

- ALL MATERIAL SHALL BE AISI 1010 $\frac{1}{8}$ " PLATE STEEL
- FU=67KSI, FY=55KSI EQUIVALENT TO ASTM 572 GRADE 55
- ALL PLATE STEEL SHALL BE HOT DIP GALVANIZED (G90)
- ALL BOLTS SHALL $\frac{5}{8}$ " \varnothing AND GRADE 8
- PROOF=120KSI, YIELD=130KSI, TENSILE=150KSI
- ALL BOLTS NUTS AND WASHERS SHALL BE HOT DIP GALVANIZED (G90)

*THE CAPACITY SHOWN IS FOR THE SECURITY BOOT ONLY.
 SITE SPECIFIC ENGINEERING SHALL BE PROVIDED TO SIZE
 THE PILING AND BEAMS, AND THEIR CORRESPONDING
 SPECIFICATIONS. THE OVERALL CAPACITY OF THE
 FOUNDATION SYSTEM SHALL BE DETERMINED BY THE
 LESSER CAPACITY OF THE THREE COMPONENTS

KSMS
6/2/15