



DEPARTMENT OF REGULATORY AND ECONOMIC RESOURCES (RER)
BOARD AND CODE ADMINISTRATION DIVISION

MIAMI-DADE COUNTY
PRODUCT CONTROL SECTION
11805 SW 26 Street, Room 208
T (786) 315-2590 F (786) 315-2599

NOTICE OF ACCEPTANCE (NOA)

www.miamidade.gov/economy

Eco Window Systems, LLC
9114 NW 106 Street
Medley, FL 33178

SCOPE:

This NOA is being issued under the applicable rules and regulations governing the use of construction materials. The documentation submitted has been reviewed and accepted by Miami-Dade County RER-Product Control Section to be used in Miami-Dade County and other areas where allowed by the Authority Having Jurisdiction (AHJ).

This NOA shall not be valid after the expiration date stated below. The Miami-Dade County Product Control Section (In Miami-Dade County) and/ or the AHJ (in areas other than Miami-Dade County) reserve the right to have this product or material tested for quality assurance purposes. If this product or material fails to perform in the accepted manner, the manufacturer will incur the expense of such testing and the AHJ may immediately revoke, modify, or suspend the use of such product or material within their jurisdiction. RER reserves the right to revoke this acceptance, if it is determined by Miami-Dade County Product Control Section that this product or material fails to meet the requirements of the applicable building code.

This product is approved as described herein, and has been designed to comply with the Florida Building Code, including the High Velocity Hurricane Zone.

DESCRIPTION: Series "Eco-Guard 50" Aluminum Single Hung Window - L.M.I.

APPROVAL DOCUMENT: Drawing No. **W12-40**, titled "Eco-Guard Series-50 Alum. S.H. Wdw. (L.M.I.)", sheets 01 through 04 of 04, dated 07/18/12, with revision "A" dated 11/25/14, prepared by Al-Farooq Corporation, signed and sealed by Javad Ahmad, P.E., bearing the Miami-Dade County Product Control Section Revision stamp with the Notice of Acceptance number and expiration date by the Miami-Dade County Product Control Section.

MISSILE IMPACT RATING: Large and Small Missile Impact Resistant

LABELING: Each unit shall bear a permanent label with the manufacturer's name or logo, city, state, model/series, and following statement: "Miami-Dade County Product Control Approved", unless otherwise noted herein.

RENEWAL of this NOA shall be considered after a renewal application has been filed and there has been no change in the applicable building code negatively affecting the performance of this product.

TERMINATION of this NOA will occur after the expiration date or if there has been a revision or change in the materials, use, and/ or manufacture of the product or process. Misuse of this NOA as an endorsement of any product, for sales, advertising or any other purposes shall automatically terminate this NOA. Failure to comply with any section of this NOA shall be cause for termination and removal of NOA.

ADVERTISEMENT: The NOA number preceded by the words Miami-Dade County, Florida, and followed by the expiration date may be displayed in advertising literature. If any portion of the NOA is displayed, then it shall be done in its entirety.

INSPECTION: A copy of this entire NOA shall be provided to the user by the manufacturer or its distributors and shall be available for inspection at the job site at the request of the Building Official.

This NOA revises NOA No. 12-0820.08 and consists of this page 1 and evidence pages E-1 and E-2, as well as approval document mentioned above.

The submitted documentation was reviewed by **Jaime D. Gascon, P. E.**



J Gascon
4/2/15

NOA No. 14-1212.02
Expiration Date: November 21, 2017
Approval Date: April 02, 2015

NOTICE OF ACCEPTANCE: EVIDENCE SUBMITTED

A. DRAWINGS

1. Manufacturer's die drawings and sections.
2. Drawing No. **W12-40**, titled "Eco-Guard Series-50 Alum. S.H. Wdw. (L.M.I.)", sheets 01 through 04 of 04, dated 07/18/12, with revision "A" dated 11/25/14, prepared by Al-Farooq Corporation, signed and sealed by Javad Ahmad, P.E.

B. TESTS

1. Test reports on:
 - 1) Air Infiltration Test, per FBC, TAS 202-94
 - 2) Uniform Static Air Pressure Test, Loading per FBC TAS 202-94
 - 3) Water Resistance Test, per FBC, TAS 202-94
 - 4) Large Missile Impact Test per FBC, TAS 201-94
 - 5) Cyclic Wind Pressure Loading per FBC, TAS 203-94
 - 6) Forced Entry Test, Type "A-A" Window, Grade 10, Level LV 1 per ASTM F 588-07 and per FBC 2411 3.2.1, TAS 202-94
 - 7) Standard Test Methods for Deglazing Force of Fenestration Products per ASTM E 987-88 (2009)
 - 8) Standard Test Methods for Determination of Operating Force of Sliding Windows and Doors per ASTM E 2068-00 (2008)along with marked-up drawings and installation diagram of a single hung window, prepared by Fenestration Testing Laboratory, Inc., Test Report No. **FTL-6951**, dated 07/02/12, signed and sealed by Marlin D. Brinson, P. E.
(Submitted under previous NOA No. 12-0820.08)

C. CALCULATIONS

1. Anchor verification calculations and structural analysis, complying with **FBC 5th Edition (2014)**, dated 11/18/14, prepared by Al-Farooq Corporation, signed and sealed by Javad Ahmad, P. E.
2. **Glazing complies with ASTM E1300-09**

D. QUALITY ASSURANCE

1. Miami-Dade Department of Regulatory and Economic Resources (RER).



Jaime D. Gascon, P. E.

Product Control Section Supervisor

NOA No. 14-1212.02

Expiration Date: November 21, 2017

Approval Date: April 02, 2015

Eco Window Systems, LLC.

NOTICE OF ACCEPTANCE: EVIDENCE SUBMITTED

E. MATERIAL CERTIFICATIONS

1. Notice of Acceptance No. **14-0423.17** issued to **Eastman Chemical Company (MA)** for their "**Saflex Clear and Color Glass Interlayers**" dated 06/19/14, expiring on 05/21/16.

F. STATEMENTS

1. Statement letter of conformance, complying with **FBC 5th Edition (2014)**, and of no financial interest, dated November 18, 2014, issued by Al-Farooq Corporation, signed and sealed by Javad Ahmad, P. E.
2. Laboratory compliance letter for Test Report No. **FTL-6951**, issued by Fenestration Testing Laboratory, Inc., dated 07/02/12, signed and sealed by Marlin D. Brinson, P.E. *(Submitted under NOA No.12-0820.08)*

G. OTHERS

1. Notice of Acceptance No. **12-0820.08**, issued to Eco Window Systems, LLC for their Series "**ECO-Guard 50**" Aluminum Single Hung Window – L.M.I., approved on 11/21/12 and expiring on 11/21/17.



Jaime D. Gascon, P. E.

Product Control Section Supervisor

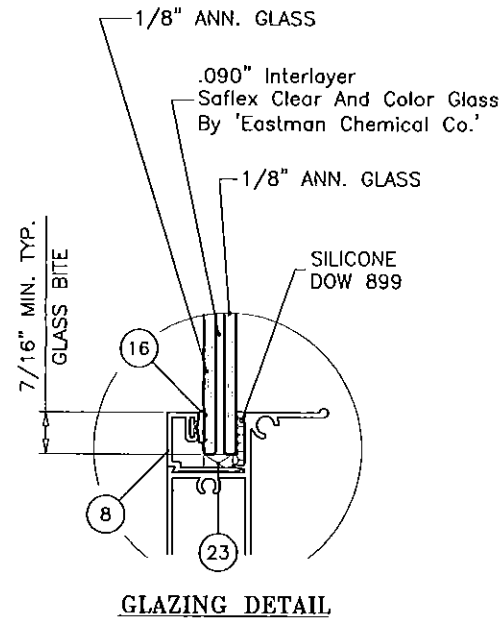
NOA No. 14-1212.02

Expiration Date: November 21, 2017

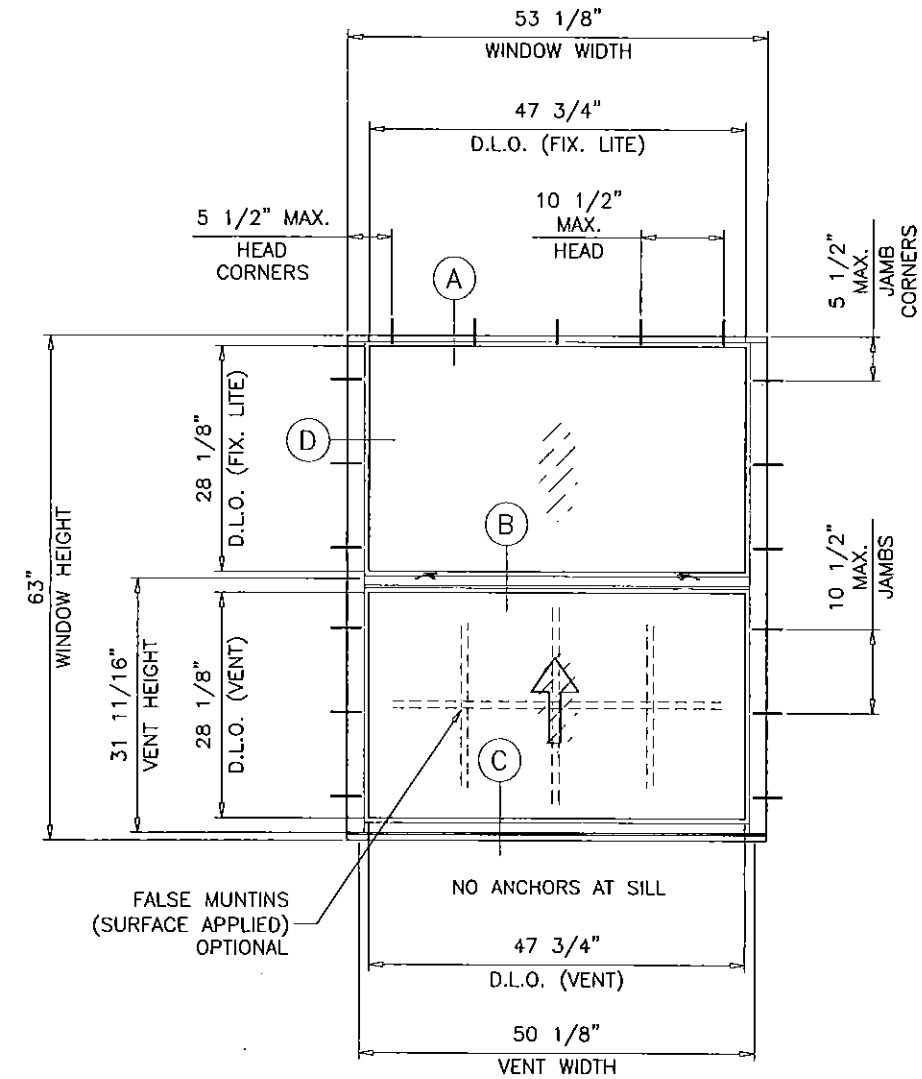
Approval Date: April 02, 2015

DESIGN LOAD CAPACITY - PSF			
FLANGE DIMS.		5/16" LAM. GLASS	
WIDTH	HEIGHT	EXT.(+)	INT.(-)
19-1/8"	26" (4)	55.0	60.0
26-1/2"		55.0	60.0
37"		55.0	60.0
44"		55.0	60.0
53-1/8"		55.0	60.0
19-1/8"	38-3/8" (4)	55.0	60.0
26-1/2"		55.0	60.0
37"		55.0	60.0
44"		55.0	60.0
53-1/8"		55.0	60.0
19-1/8"	50-5/8" (5)	55.0	60.0
26-1/2"		55.0	60.0
37"		55.0	60.0
44"		55.0	60.0
53-1/8"		55.0	60.0
19-1/8"	63" (6)	55.0	60.0
26-1/2"		55.0	60.0
37"		55.0	60.0
44"		55.0	60.0
53-1/8"		55.0	60.0
19-1/8"	76" (8)	55.0	60.0
26-1/2"		55.0	60.0
37"		55.0	60.0
44"		55.0	60.0

* NO. IN PARENTHESIS INDICATE NO. OF ANCHORS PER JAMB.



GLAZING DETAIL



TYPICAL ELEVATION
TESTED UNITS

**ECO-GUARD SERIES-50
ALUMINUM SINGLE HUNG WINDOW**

DESIGN LOAD RATINGS FOR THESE WINDOWS TO BE AS PER CHARTS SHOWN ABOVE.

APPROVAL APPLIES TO SINGLE UNITS OR SIDE BY SIDE COMBINATIONS OF S.H./S.H. OR SINGLE HUNG WITH OTHER WINDOW TYPES IN MODULES OF TWO OR MORE WINDOWS USING MIAMI-DADE COUNTY APPROVED MULLIONS IN BETWEEN. LOWER DESIGN PRESSURE FROM WINDOWS OR MULLION APPROVAL WILL APPLY TO ENTIRE SYSTEM.

THIS PRODUCT HAS BEEN DESIGNED AND TESTED TO COMPLY WITH THE REQUIREMENTS OF THE FLORIDA BUILDING CODE INCLUDING HIGH VELOCITY HURRICANE ZONE (HVHZ).

WOOD BUCKS BY OTHERS, MUST BE ANCHORED PROPERLY TO TRANSFER LOADS TO THE STRUCTURE.

ANCHORS SHALL BE AS LISTED, SPACED AS SHOWN ON DETAILS, ANCHORS EMBEDMENT TO BASE MATERIAL SHALL BE BEYOND WALL DRESSING OR STUCCO.

ANCHORING OR LOADING CONDITIONS NOT SHOWN IN THESE DETAILS ARE NOT PART OF THIS APPROVAL.

A LOAD DURATION INCREASE IS USED IN DESIGN OF ANCHORS INTO WOOD ONLY.

MATERIALS INCLUDING BUT NOT LIMITED TO STEEL/METAL SCREWS, THAT COME INTO CONTACT WITH OTHER DISSIMILAR MATERIALS SHALL MEET THE REQUIREMENTS OF THE FLORIDA BLDG. CODE.

NOTE:
GLASS CAPACITIES ON THIS SHEET ARE BASED ON ASTM E1300-09 (3 SEC. GUSTS) AND FLORIDA BUILDING COMMISSION DECLARATORY STATEMENT DCA05-DEC-219

THESE WINDOWS ARE RATED FOR LARGE MISSILE IMPACT. SHUTTERS ARE NOT REQUIRED.

Engr: JAVAD AHMAD
CIVIL
FLA. PE # 70592
C.A.N. 3538
DEC 02 2014

PRODUCT REVISED
as complying with the Florida Building Code
Acceptance No 14-1212-02
Expiration Date Nov 21, 2017
By *[Signature]*
Miami Made Product Control

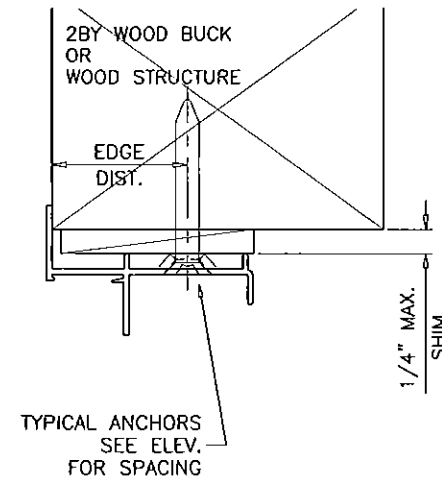
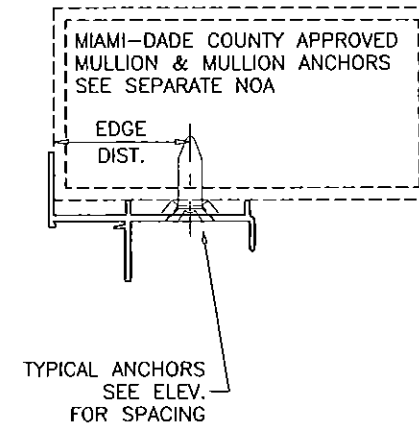
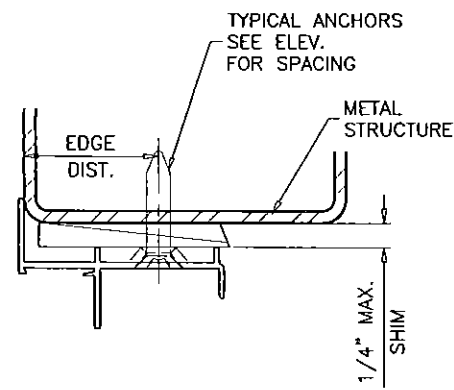
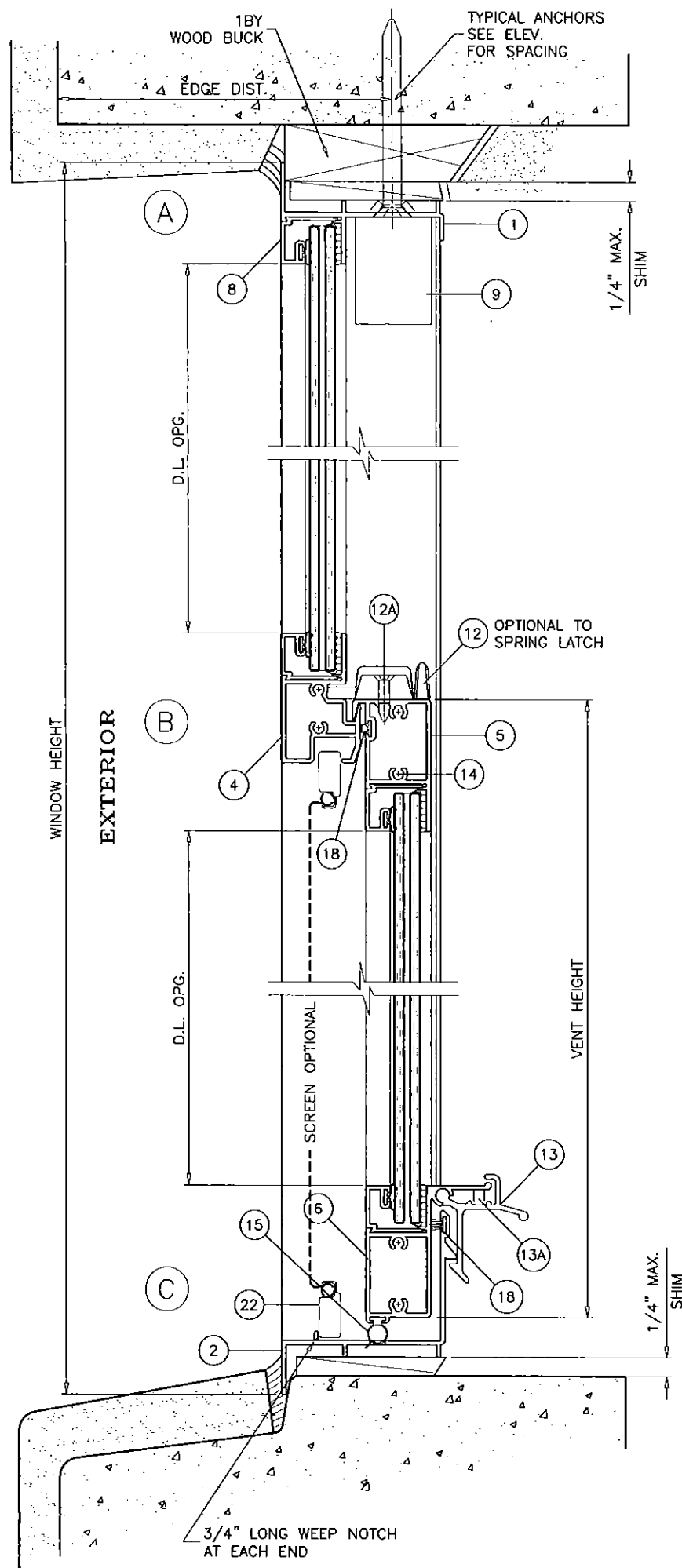
af c
AL-FAROOQ CORPORATION
ENGINEERS & PRODUCT DEVELOPMENT
1235 S.W. 87 AVE
MIAMI, FLORIDA 33174
TEL (305) 264-8100 FAX (305) 262-6978
COMP-ANL\W12-40ECO

ECO-GUARD SERIES-50 ALUM S.H. WDW. (L.M.I.)
ECO WINDOW SYSTEMS, LLC.
9114 N.W. 106 STREET
MEDLEY, FL. 33178
TEL (305) 885-5299 FAX (305) 885-5902

revisions:	no	date	by	description
	A	11.25.14		UPDATED TO 2014 FBC

date: 07-18-12
scale: 1/2"=1'-0"
dr. by: HAMID
chk. by:

drawing no.
W12-40
sheet 1 of 4



WOOD BUCKS AND METAL STRUCTURE NOT BY ECO WDW. MUST SUSTAIN LOADS IMPOSED BY GLAZING SYSTEM AND TRANSFER THEM TO THE BUILDING STRUCTURE.

TYPICAL ANCHORS: SEE ELEV. FOR SPACING
1/4" DIA. TAPCON BY 'ITW' (Fu=125 KSI, Fy=100 KSI)
1/4" DIA. ULTRACON BY 'ELCO' (Fu=177 KSI, Fy=155 KSI)
 INTO 2BY WOOD BUCKS OR WOOD STRUCTURES
 1-1/2" MIN. PENETRATION INTO WOOD
 THRU 1BY BUCKS INTO CONC. OR MASONRY
 1-1/4" MIN. EMBED INTO CONC. OR MASONRY
 DIRECTLY INTO CONC. OR MASONRY
 1-1/4" MIN. EMBED INTO CONC. OR MASONRY
1/4" DIA. TEKS OR SELF DRILLING SCREWS (GRADE 5 CRS)
 INTO METAL STRUCTURES
 STEEL : 12 GA. MIN. (Fy = 36 KSI MIN.)
 ALUMINUM : 1/8" THK. MIN. (6063-T5 MIN.)
 (STEEL IN CONTACT WITH ALUMINUM TO BE PLATED OR PAINTED)
#14 SMS OR SELF DRILLING SCREWS (GRADE 2 CRS)
 INTO MIAMI-DADE COUNTY APPROVED MULLIONS (MIN. THK. = .090")
 (NO SHIM SPACE)
TYPICAL EDGE DISTANCE
 INTO CONCRETE AND MASONRY = 2-1/2" MIN.
 INTO WOOD STRUCTURE = 1" MIN.
 INTO METAL STRUCTURE = 3/4" MIN.
 WOOD AT HEAD, SILL OR JAMBS SG = 0.55 MIN.
 CONCRETE AT HEAD, SILL OR JAMBS f'c = 3000 PSI MIN.
 C-90 HOLLOW/FILLED BLOCK AT JAMBS f'm = 2000 PSI MIN.

SEALANT:
 ALL JOINTS AND FRAME CONNECTIONS SEALED WITH JOINT SEALER.

Engr: JAVAD AHMAD
 CIVIL
 FLA. PE # 70592
 C.A.N. 3538
 DEC 02 2014

PRODUCT REVISED
 as complying with the Florida
 Building Code
 Acceptance No. 14-1212-02
 Expiration Date Nov. 21, 2017
 By: [Signature]
 Miami Dade Product Control

afC
AL-FAROOQ CORPORATION
 ENGINEERS & PRODUCT DEVELOPMENT
 1235 S.W. 87 AVE
 MIAMI, FLORIDA 33174
 TEL (305) 264-8100 FAX (305) 262-6978
 COMP-ANL\W12-40ECO

ECO-GUARD SERIES-50 ALUM S.H. WDW. (L.M.I.)
ECO WINDOW SYSTEMS, LLC.
 9114 N.W. 106 STREET
 MEDLEY, FL. 33178
 TEL. (305) 885-5299 FAX (305) 885-5902

no	date	description
A	11.25.14	UPDATED TO 2014 FBC

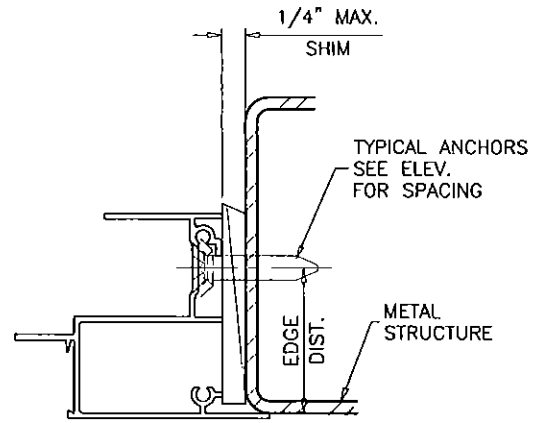
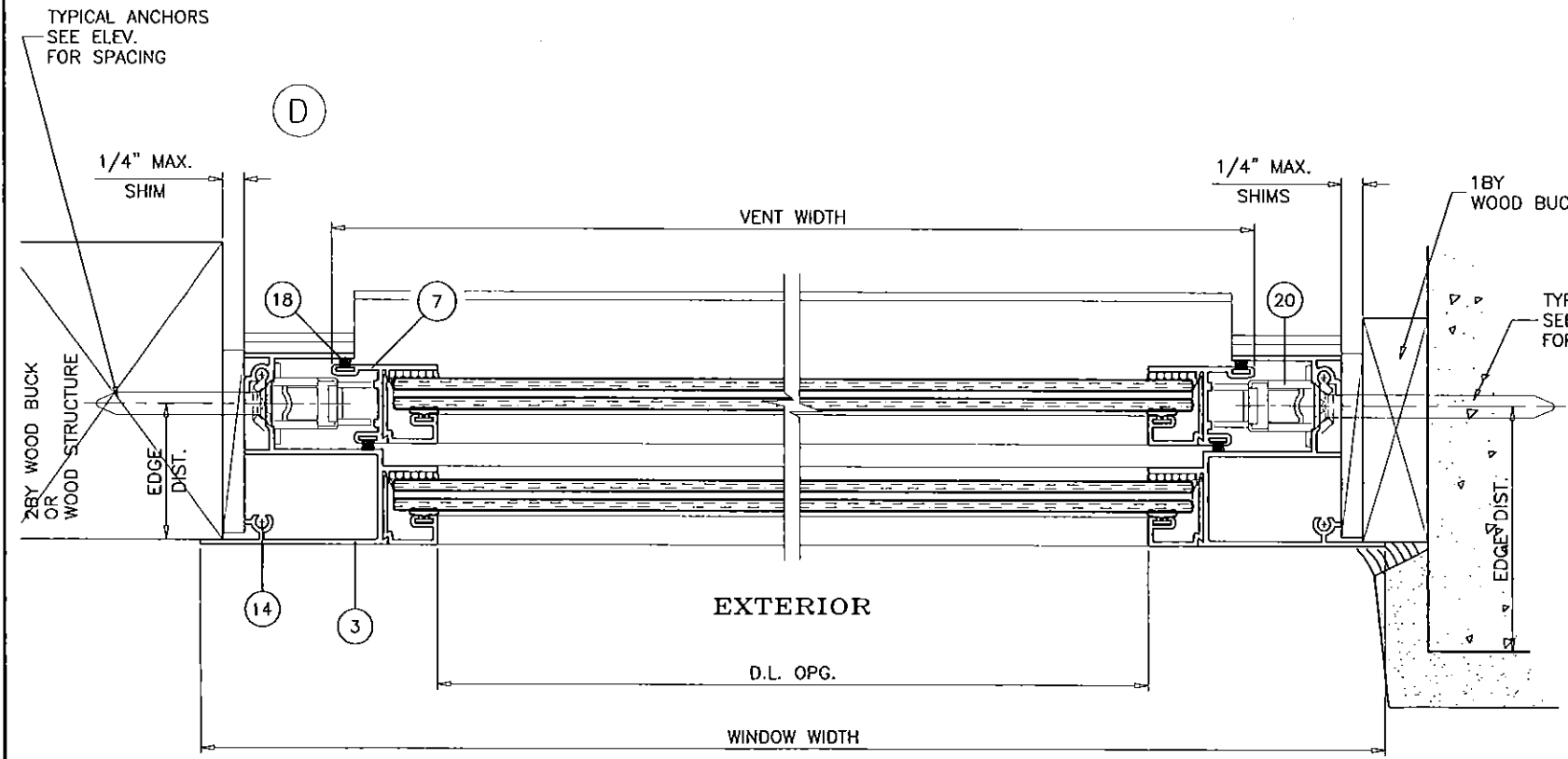
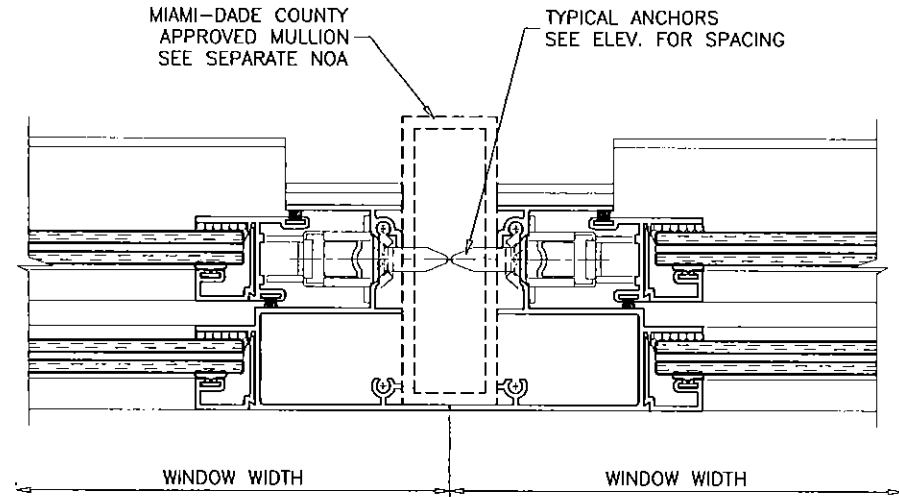
revisions:

date: 07-18-12
 scale: 1/2" = 1"
 dr. by: HAMD
 chk. by:

drawing no.
W12-40

sheet 2 of 4

ITEM #	PART #	REQD.	DESCRIPTION	MATERIAL	MANF./SUPPLIER/REMARKS
1	E51	1	FRAME HEAD	6063-T6	-
2	E52	1	FRAME SILL	6063-T6	-
3	E53	2	FRAME JAMB	6063-T6	-
4	E54	1	FIXED MTG. RAIL	6063-T6	-
5	E55	1	VENT TOP RAIL	6063-T6	-
6	E56	1	VENT BOTTOM RAIL	6063-T6	-
7	E57	2	VENT SIDE RAIL	6063-T6	-
8	E58	AS REQD.	GLAZING BEAD (5/16" LAM. GLASS)	6063-T6	-
9	E59	2/VENT	SASH STOP	6063-T5	-
12	SL203P	2/VENT	SWEEP LATCH	ZAMAK	SULLIVAN & ASSOC.
12A	#8 X 5/8"	2/ LATCH	LATCH INST. SCREWS	ST. STEEL	FH SMS
13	FY-113	2/ VENT	SPRING LOADED LATCH	6063-T6	ALTERNATE TO SWEEP LATCH
13A	-	1/ LATCH	LATCH SPRING	ST. STEEL	-
14	#8 X 1"	AS REQD.	FRAME & VENT ASSEMBLY SCREWS	CRS	PH SMS
15	E207	AS REQD.	BOTTOM RAIL SEAL - SERIES 101	NEOPRENE	ULTRAFAB
16	E203	AS REQD.	GLAZING BEAD BULB	SANTOPRENE	ULTRAFAB
18	W23181	AS REQD.	FIN SEAL W'STRIPPING	-	ULTRAFAB
20	-	2/ VENT	BLOCK AND TACKLE BALANCE	-	-
21	E60	2/ VENT	SASH CAM	NYLON	-
22	-	1	5/16" BOX SCREEN	-	OPTIONAL
23	-	2/ LITE	SETTING BLOCK	EPDM	DUROMETER 85±5 SHORE A



Engr: JAVAD AHMAD
 CIVIL
 FLA. PE # 70592
 C.A.N. 3538

DEC 02 2014

PRODUCT REVISED
 as complying with the Florida
 Building Code
 Acceptance No. 14-1212-02
 Expiration Date Nov. 21, 2017

By: *[Signature]*
 Miami Dade Product Control

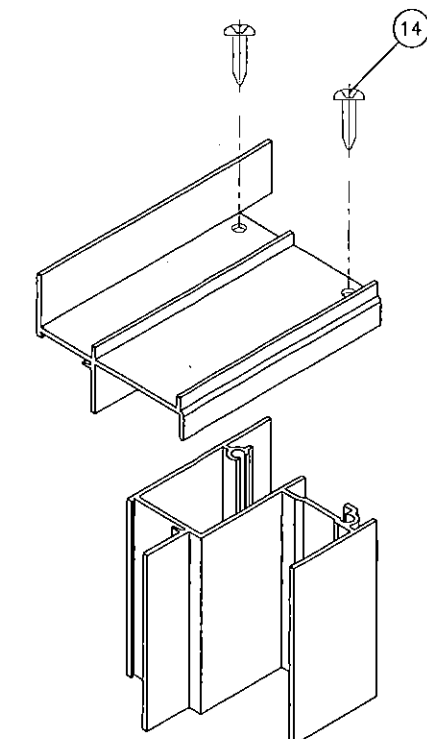
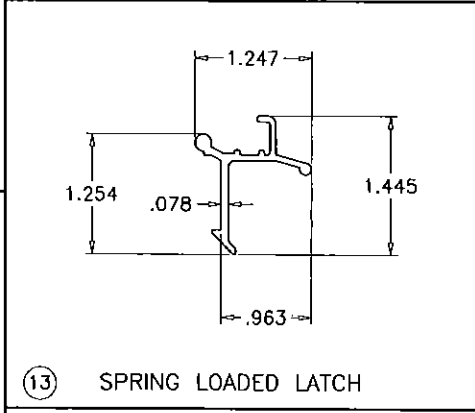
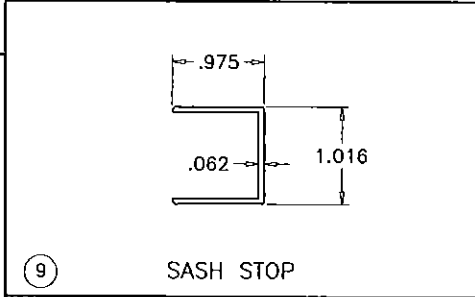
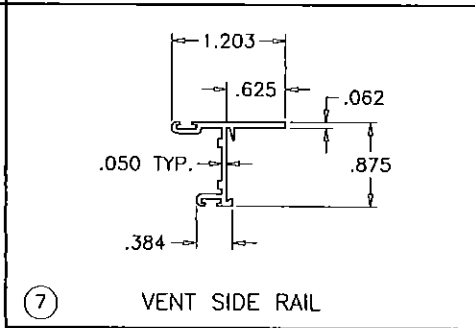
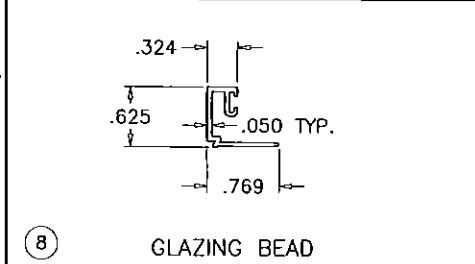
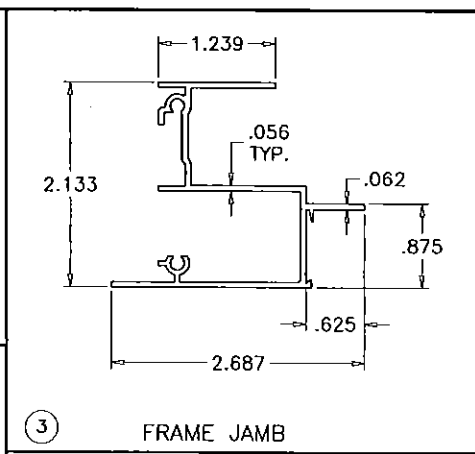
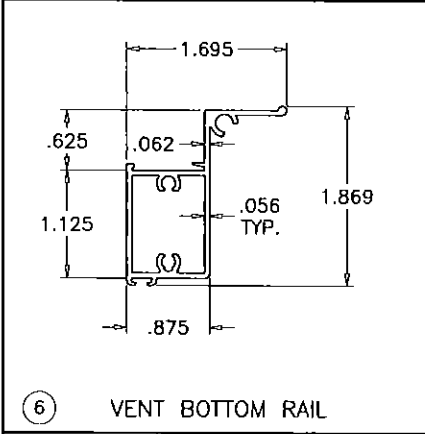
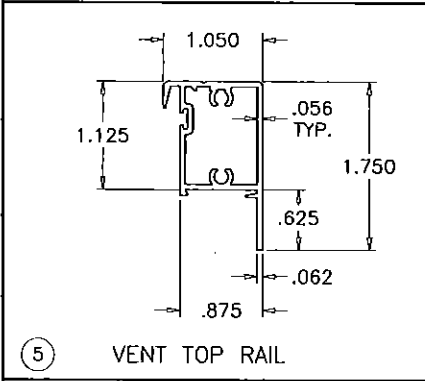
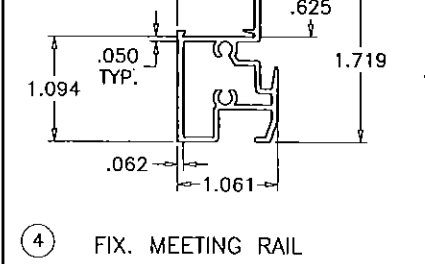
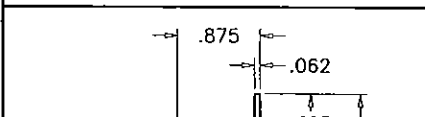
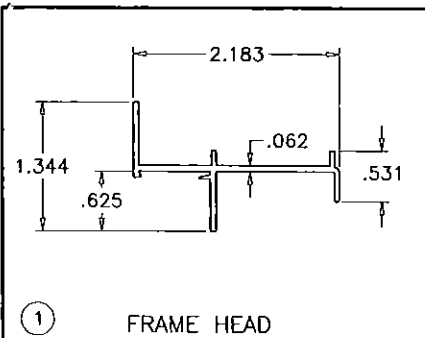
af c
AL-FAROOQ CORPORATION
 ENGINEERS & PRODUCT DEVELOPMENT
 1235 S.W. 87 AVE
 MIAMI, FLORIDA 33174
 TEL (305) 264-8100 FAX (305) 262-6978
 COMP-ANL\W12-40ECO

ECO-GUARD SERIES-50 ALUM S.H. WDW. (L.M.I.)
ECO WINDOW SYSTEMS, LLC.
 9114 N.W. 106 STREET
 MEDLEY, FL. 33178
 TEL (305) 885-5299 FAX (305) 885-5902

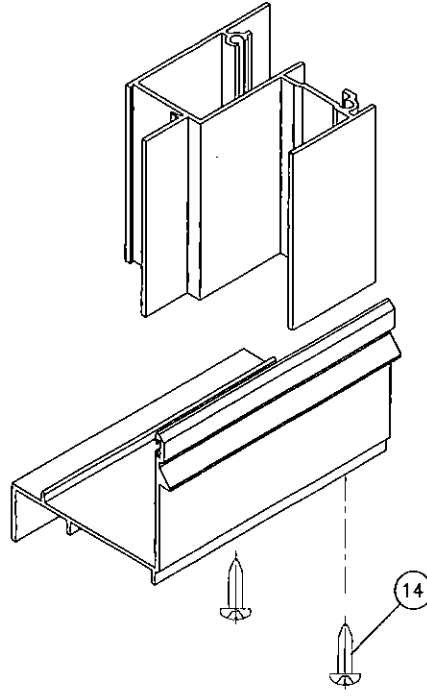
no.	date	by	description
A	11.25.14		UPDATED TO 2014 FBC

date: 07-18-12
 scale: 1/2" = 1"
 dr. by: HAMID
 chk. by:

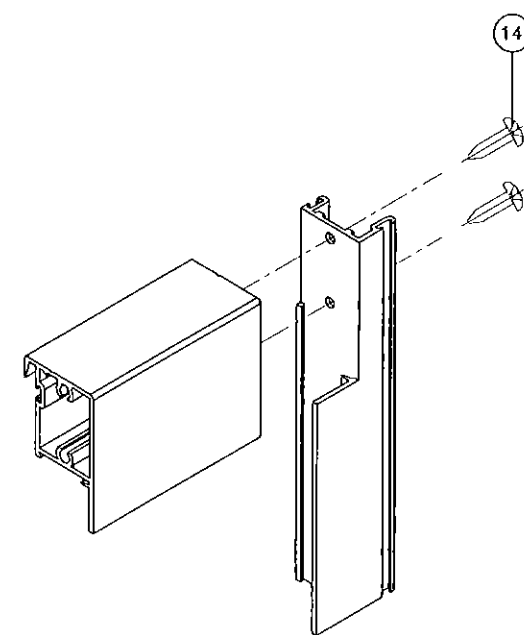
drawing no.
W12-40
 sheet 3 of 4



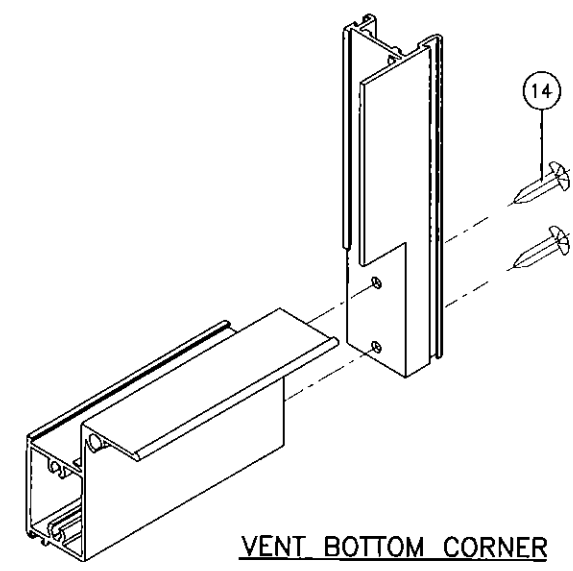
FRAME TOP CORNER



FRAME BOTTOM CORNER



VENT TOP CORNER



VENT BOTTOM CORNER

Engr: JAVAD AHMAD
 CIVIL
 FLA. PE # 70592
 C.A.N. 3538

DEC 02 2014

PRODUCT REVISED
 as complying with the Florida
 Building Code
 Acceptance No 14-1212.02
 Expiration Date Nov 21, 2017

By: [Signature]
 Date Product Control

af c
AL-FAROOQ CORPORATION
 ENGINEERS & PRODUCT DEVELOPMENT
 1235 S.W. 87 AVE
 MIAMI, FLORIDA 33174
 TEL. (305) 264-8100 FAX. (305) 262-6978
 COMP-ANL\W12-40ECO

ECO-GUARD SERIES-50 ALUM S.H. WDW. (L.M.I.)
ECO WINDOW SYSTEMS, LLC.
 9114 N.W. 106 STREET
 MEDLEY, FL. 33178
 TEL. (305) 885-5299 FAX (305) 885-5902

revisions:	no	date	by	description
	A	11.25.14		NO CHANGE THIS SHEET

date: 07-18-12
 scale: 1/2" = 1"
 dr. by: HAMID
 chk. by:

drawing no.
W12-40
 sheet 4 of 4