



DEPARTMENT OF REGULATORY AND ECONOMIC RESOURCES (RER)  
BOARD AND CODE ADMINISTRATION DIVISION

MIAMI-DADE COUNTY  
PRODUCT CONTROL SECTION  
11805 SW 26 Street, Room 208  
T (786) 315-2590 F (786) 315-2599

[www.miamidade.gov/economy](http://www.miamidade.gov/economy)

**NOTICE OF ACCEPTANCE (NOA)**

Eco Window Systems, LLC  
9114 NW 106 Street  
Medley, FL 33178

**SCOPE:**

This NOA is being issued under the applicable rules and regulations governing the use of construction materials. The documentation submitted has been reviewed and accepted by Miami-Dade County RER - Product Control Section to be used in Miami Dade County and other areas where allowed by the Authority Having Jurisdiction (AHJ).

This NOA shall not be valid after the expiration date stated below. The Miami-Dade County Product Control Section (In Miami Dade County) and/or the AHJ (in areas other than Miami Dade County) reserve the right to have this product or material tested for quality assurance purposes. If this product or material fails to perform in the accepted manner, the manufacturer will incur the expense of such testing and the AHJ may immediately revoke, modify, or suspend the use of such product or material within their jurisdiction. RER reserves the right to revoke this acceptance, if it is determined by Miami-Dade County Product Control Section that this product or material fails to meet the requirements of the applicable building code.

This product is approved as described herein, and has been designed to comply with the Florida Building Code, including the High Velocity Hurricane Zone.

**DESCRIPTION:** Series "Eco-Guard 100" Aluminum Single Hung Window – S.M.I.

**APPROVAL DOCUMENT:** Drawing No. **W13-08**, titled "Eco-Guard Series-100 Alum. S.H. Wdw. (S.M.I.)", sheets 1 through 5 of 5, dated 03/15/13, with revision A dated 11/25/14, prepared by Al-Farooq Corporation, signed and sealed by Javad Ahmad, P.E., bearing the Miami-Dade County Product Control Section Revision stamp with the Notice of Acceptance number and expiration date by the Miami-Dade County Product Control Section.

**MISSILE IMPACT RATING:** Small Missile Impact Resistant

**LABELING:** Each unit shall bear a permanent label with the manufacturer's name or logo, city, state, model/series, and following statement: "Miami-Dade County Product Control Approved", unless otherwise noted herein.

**RENEWAL** of this NOA shall be considered after a renewal application has been filed and there has been no change in the applicable building code negatively affecting the performance of this product.

**TERMINATION** of this NOA will occur after the expiration date or if there has been a revision or change in the materials, use, and/or manufacture of the product or process. Misuse of this NOA as an endorsement of any product, for sales, advertising or any other purposes shall automatically terminate this NOA. Failure to comply with any section of this NOA shall be cause for termination and removal of NOA.

**ADVERTISEMENT:** The NOA number preceded by the words Miami-Dade County, Florida, and followed by the expiration date may be displayed in advertising literature. If any portion of the NOA is displayed, then it shall be done in its entirety.

**INSPECTION:** A copy of this entire NOA shall be provided to the user by the manufacturer or its distributors and shall be available for inspection at the job site at the request of the Building Official.

This NOA revises NOA# 13-0418.03 and consists of this page 1 and evidence pages E-1 and E-2, as well as approval document mentioned above.

The submitted documentation was reviewed by Manuel Perez, P.E.



*Handwritten signature and date: MP 7/3/24/15*

NOA No. 14-1212.03  
Expiration Date: August 15, 2018  
Approval Date: April 02, 2015  
Page 1

NOTICE OF ACCEPTANCE: EVIDENCE SUBMITTED

**A. DRAWINGS**

1. Manufacturer's die drawings and sections.
2. Drawing No **W13-08**, titled "Eco-Guard Series-100 Alum. S.H. Wdw. (S.M.I.)", sheets 1 through 5 of 5, dated 03/15/13, with revision A dated 11/25/14, prepared by Al-Farooq Corporation, signed and sealed by Javad Ahmad, P.E.

**B. TESTS**

1. Test reports on: 1) Small Missile Impact Test per FBC, TAS 201-94  
2) Cyclic Wind Pressure Loading per FBC, TAS 203-94  
along with installation diagram of a 37" wide x 63" high Eco-Guard Series 100 aluminum single hung window, prepared by Hurricane Engineering & Testing Inc., Test Report No. **HETI-10-3139**, dated 11/29/10, signed and sealed by Candido F. Font, P.E.  
*(Submitted under previous NOA No. 13-0418.08)*
2. Test reports on: 1) Air Infiltration Test, per FBC, TAS 202-94  
2) Uniform Static Air Pressure Test, Loading per FBC TAS 202-94  
3) Water Resistance Test, per FBC, TAS 202-94  
4) Forced Entry Test, per FBC 2411 3.2.1 and TAS 202-94  
along with installation diagram of a 106-1/2" wide x 76" high Eco-Guard Series 100 aluminum single hung window, prepared by Hurricane Engineering & Testing Inc., Test Report No. **HETI-08-2166A**, dated 12/15/09, signed and sealed by Candido F. Font, P.E.  
*(Submitted under NOA#09-0224.07)*
3. Test reports on: 1) Large Missile Impact Test per FBC, TAS 201-94  
2) Cyclic Wind Pressure Loading per FBC, TAS 203-94  
along with installation diagram of a 106-1/2" wide x 76" high Eco-Guard Series 100 aluminum single hung window, prepared by Hurricane Engineering & Testing Inc., Test Report No. **HETI-08-2166C**, dated 12/15/09, signed and sealed by Candido F. Font, P.E.  
*(Submitted under NOA#09-0224.07)*
4. Test reports on: 1) Air Infiltration Test, per FBC, TAS 202-94  
2) Uniform Static Air Pressure Test, Loading per FBC, TAS 20294  
3) Water Resistance Test, per FBC, TAS 202-94  
4) Forced Entry Test, per FBC 2411 3.2.1 and TAS 202-94  
along with installation diagram of a 53-1/4" wide x 76" high Eco-Guard Series 100 aluminum single hung window, prepared by Hurricane Engineering & Testing Inc., Test Report No. **HETI-08-2168**, dated 12/15/09, signed and sealed by Candido F. Font, P.E.  
*(Submitted under NOA#09-0224.07)*



Manuel Perez, P.E.  
Product Control Examiner  
NOA No. 14-1212.03

Expiration Date: August 15, 2018

Approval Date: April 02, 2015

NOTICE OF ACCEPTANCE: EVIDENCE SUBMITTED

**B. TESTS (CONTINUED)**

5. Test reports on: 1) Large Missile Impact Test per FBC, TAS 201-94  
2) Cyclic Wind Pressure Loading per FBC, TAS 203-94  
along with installation diagram of a 53-1/4" wide x 76-1/4" high Eco-Guard Series 100 aluminum single hung window, prepared by Hurricane Engineering & Testing Inc., Test Report No. **HETI-08-2170**, dated 12/15/09, signed and sealed by Candido F. Font, P.E.  
*(Submitted under NOA#09-0224.07)*

**C. CALCULATIONS**

1. Anchor verification calculations and structural analysis, complying with **FBC-5<sup>th</sup> Edition (2014)**, dated 11/18/14, prepared by Al-Farooq Corporation, signed and sealed by Javad Ahmad, P.E.
2. Glazing complies with **ASTM E1300-09**

**D. QUALITY ASSURANCE**

1. Miami-Dade Department of Regulatory and Economic Resources (RER).

**E. MATERIAL CERTIFICATIONS**

1. Notice of Acceptance No. **13-0129.27** issued to **E.I. DuPont DeNemours & Co., Inc.** for their "**DuPont Butacite® PVB Interlayer**" dated 04/11/13, expiring on 12/11/16.

**F. STATEMENTS**

1. Statement letter of conformance, complying with **FBC-5<sup>th</sup> Edition (2014)**, and of no financial interest, dated November 18, 2014, issued by Al-Farooq Corporation, signed and sealed by Javad Ahmad, P.E.

**G. OTHERS**

1. Notice of Acceptance No. **13-0 418.03**, issued to Eco Window Systems, LLC for their Series "Eco-Guard 100" Aluminum Single Hung Window – S.M.I., approved on 08/15/13 and expiring on 08/15/18.

  
Manuel Perez, P.E.  
Product Control Examiner  
NOA No. 14-1212.03

Expiration Date: August 15, 2018  
Approval Date: April 02, 2015

DESIGN LOAD CAPACITY -- PSF							
FLANGE DIMS.		1/4" ITW TAPCON		1/4" ELCO ULTRACON		#14 SMS	
WIDTH	HEIGHT	EXT.(+)	INT.(-)	EXT.(+)	INT.(-)	EXT.(+)	INT.(-)
19-1/8"	26"	75.0	141.1	75.0	141.1	75.0	141.1
26-1/2"		75.0	141.1	75.0	141.1	75.0	141.1
30"		75.0	141.1	75.0	141.1	75.0	141.1
37"		75.0	141.1	75.0	141.1	75.0	141.1
19-1/8"	38-3/8"	75.0	141.1	75.0	141.1	75.0	141.1
26-1/2"		75.0	141.1	75.0	141.1	75.0	141.1
30"		75.0	141.1	75.0	141.1	75.0	141.1
37"		75.0	138.7	75.0	141.1	75.0	141.1
19-1/8"	50-5/8"	75.0	141.1	75.0	141.1	75.0	141.1
26-1/2"		75.0	141.1	75.0	141.1	75.0	141.1
30"		75.0	141.1	75.0	141.1	75.0	141.1
37"		75.0	141.1	75.0	141.1	75.0	141.1
19-1/8"	63"	75.0	141.1	75.0	141.1	75.0	141.1
26-1/2"		75.0	141.1	75.0	141.1	75.0	141.1
30"		75.0	141.1	75.0	141.1	75.0	141.1
37"		75.0	126.8	75.0	139.4	75.0	141.1

\* NO. IN PARENTHESIS INDICATE NO. OF ANCHORS PER JAMB.

**ECO-GUARD SERIES-100  
ALUMINUM SINGLE HUNG WINDOW**

DESIGN LOAD RATINGS FOR THESE WINDOWS TO BE AS PER CHARTS SHOWN ABOVE.

APPROVAL APPLIES TO SINGLE UNITS OR SIDE BY SIDE COMBINATIONS OF S.H./S.H. OR SINGLE HUNG WITH OTHER WINDOW TYPES IN MODULES OF TWO OR MORE WINDOWS USING MIAMI-DADE COUNTY APPROVED MULLIONS IN BETWEEN. LOWER DESIGN PRESSURE FROM WINDOWS OR MULLION APPROVAL WILL APPLY TO ENTIRE SYSTEM.

THIS PRODUCT HAS BEEN DESIGNED AND TESTED TO COMPLY WITH THE REQUIREMENTS OF THE FLORIDA BUILDING CODE INCLUDING HIGH VELOCITY HURRICANE ZONE (HVHZ).

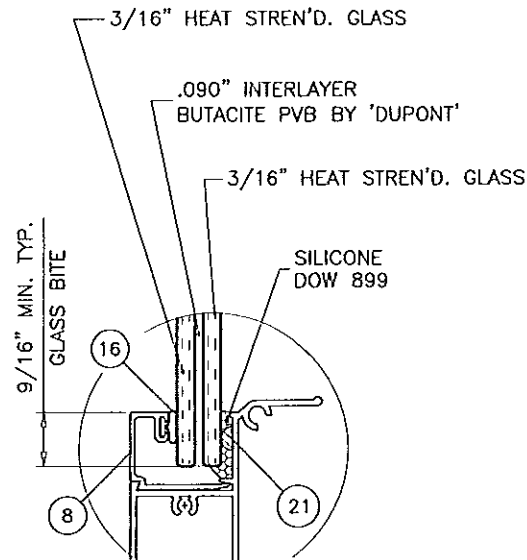
WOOD BUCKS BY OTHERS, MUST BE ANCHORED PROPERLY TO TRANSFER LOADS TO THE STRUCTURE.

ANCHORS SHALL BE AS LISTED, SPACED AS SHOWN ON DETAILS, ANCHORS EMBEDMENT TO BASE MATERIAL SHALL BE BEYOND WALL DRESSING OR STUCCO.

ANCHORING OR LOADING CONDITIONS NOT SHOWN IN THESE DETAILS ARE NOT PART OF THIS APPROVAL.

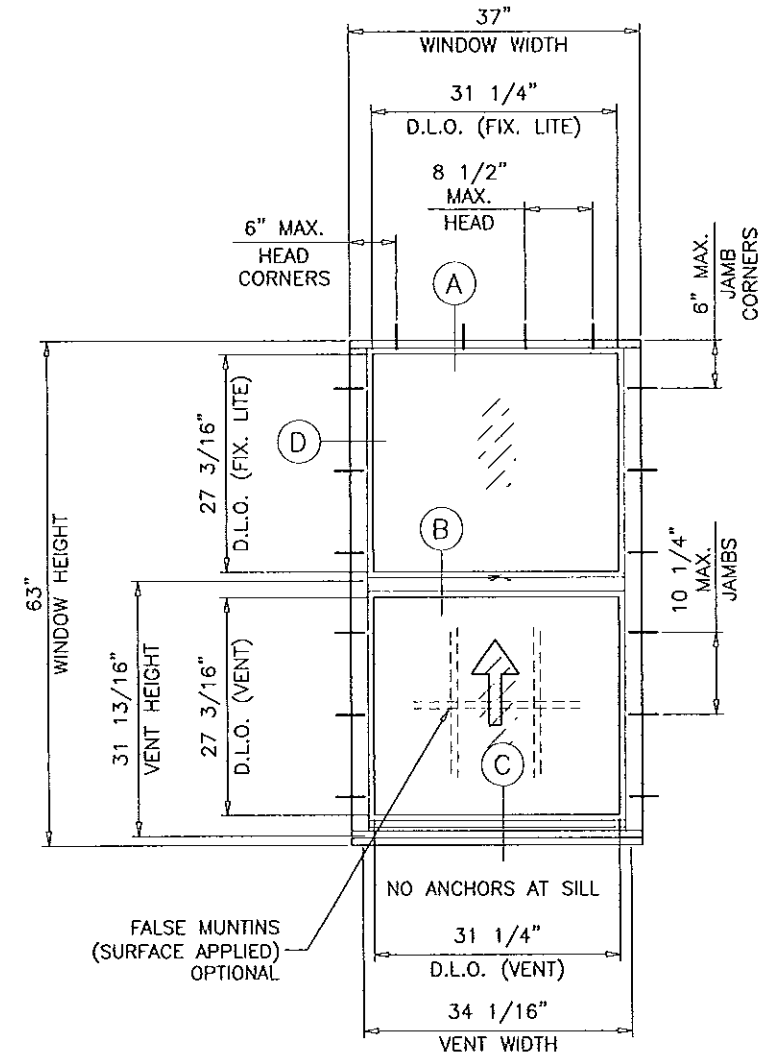
A LOAD DURATION INCREASE IS USED IN DESIGN OF ANCHORS INTO WOOD ONLY.

MATERIALS INCLUDING BUT NOT LIMITED TO STEEL/METAL SCREWS, THAT COME INTO CONTACT WITH OTHER DISSIMILAR MATERIALS SHALL MEET THE REQUIREMENTS OF THE FLORIDA BLDG. CODE.



**GLAZING DETAIL**  
7/16" OVERALL LAM. GLASS

NOTE:  
GLASS CAPACITIES ON THIS SHEET ARE BASED ON ASTM E1300-09 (3 SEC. GUSTS) AND FLORIDA BUILDING COMMISSION DECLARATORY STATEMENT DCA05-DEC-219



**TYPICAL ELEVATION**  
TESTED UNIT

THESE WINDOWS ARE RATED FOR SMALL MISSILE IMPACT. MIAMI-DADE COUNTY APPROVED IMPACT RESISTANT SHUTTERS REQUIRED FOR INSTALLATIONS UP TO 30 FT. OF GRADE. SHUTTERS NOT REQD. FOR INSTALLATIONS ABOVE 30 FT. OF GRADE.

Engr: JAVAD AHMAD  
CIVIL  
FLA. PE # 70592  
C.A.N. 3538  
DEC 2 2014

PRODUCT REVISED  
as complying with the Florida Building Code  
Acceptance No. 14-1212-03  
Expiration Date Aug. 15, 2018  
By: [Signature]  
Miami Dade Product Control

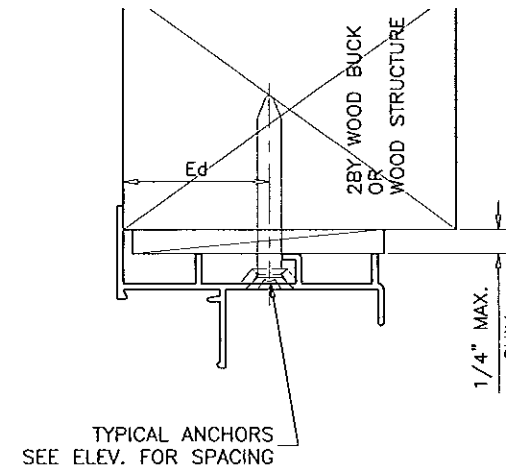
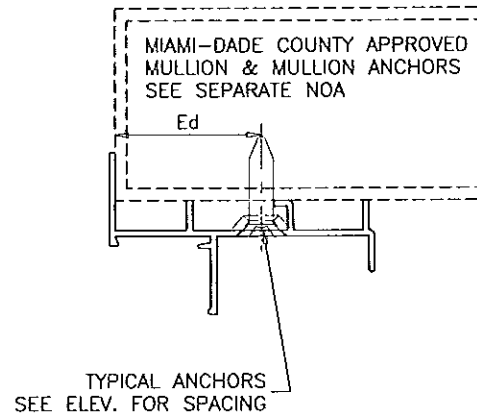
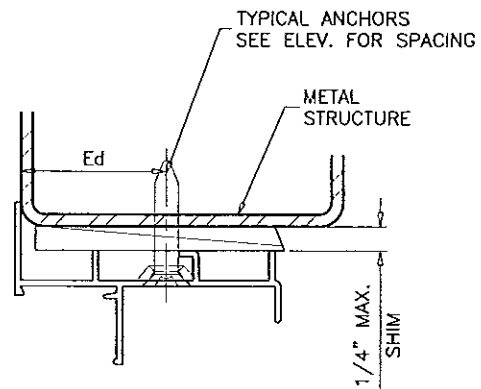
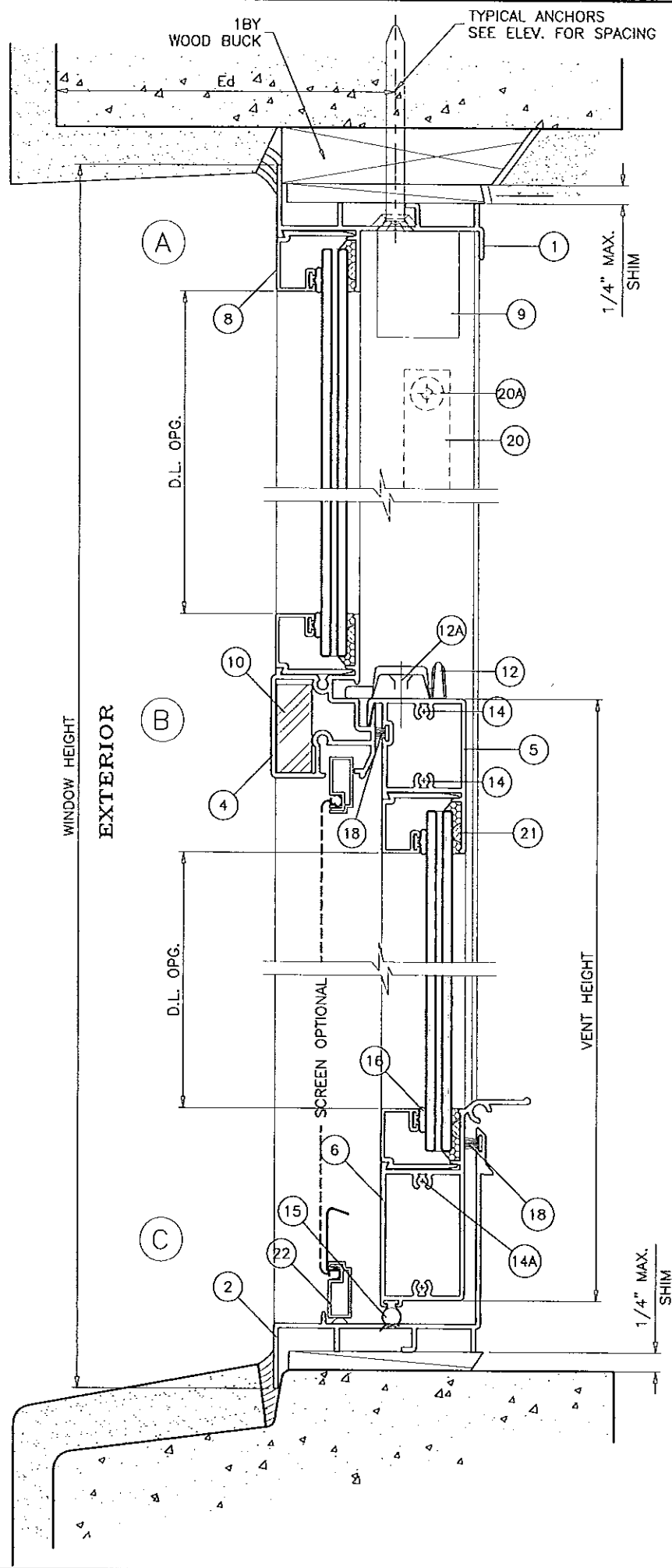
**af c**  
**AL-FAROOQ CORPORATION**  
ENGINEERS & PRODUCT DEVELOPMENT  
1235 S.W. 87 AVE  
MIAMI, FLORIDA 33174  
TEL. (305) 264-8100 FAX. (305) 262-6978  
COMP-ANL\W13-08ECO

ECO-GUARD SERIES-100 ALUM S.H. WDW. (S.M.I.)  
**ECO WINDOW SYSTEMS, LLC.**  
9114 N.W. 106 STREET  
MEDLEY, FL. 33178  
TEL. (305) 885-5299 FAX (305) 885-5902

revisions:	no	date	by	description
	A	11.25.14		UPDATED TO 2014 FBC

date: 03-15-13  
scale: 1/2"=1'-0"  
dr. by: HAMID  
chk. by:

drawing no.  
**W13-08**  
sheet 1 of 5



WOOD BUCKS AND METAL STRUCTURE NOT BY ECO WDW. MUST SUSTAIN LOADS IMPOSED BY GLAZING SYSTEM AND TRANSFER THEM TO THE BUILDING STRUCTURE.

**TYPICAL ANCHORS:** SEE ELEV. FOR SPACING  
**1/4" DIA. TAPCON BY 'ITW'** (Fu=125 KSI, Fy=100 KSI)  
**1/4" DIA. ULTRACON BY 'ELCO'** (Fu=177 KSI, Fy=155 KSI)  
 INTO 2BY WOOD BUCKS OR WOOD STRUCTURES  
 1-1/2" MIN. PENETRATION INTO WOOD  
 THRU 1BY BUCKS INTO CONC. OR MASONRY  
 1-1/4" MIN. EMBED INTO CONC. OR MASONRY  
 DIRECTLY INTO CONC. OR MASONRY  
 1-1/4" MIN. EMBED INTO CONC. OR MASONRY

**#14 SMS OR SELF DRILLING SCREWS** (GRADE 2 CRS)  
 INTO METAL STRUCTURES  
 STEEL : 1/8" THK. MIN. (Fy = 36 KSI MIN.)  
 ALUMINUM : 1/8" THK. MIN. (6063-T5 MIN.)  
 (STEEL IN CONTACT WITH ALUMINUM TO BE PLATED OR PAINTED)

**#14 SMS OR SELF DRILLING SCREWS** (GRADE 2 CRS)  
 INTO MIAMI-DADE COUNTY APPROVED MULLIONS (MIN. THK. = 1/8")  
 (NO SHIM SPACE)

**Ed = ANCHOR EDGE DISTANCE**  
 INTO CONCRETE AND MASONRY = 2-1/2" MIN.  
 INTO WOOD STRUCTURE = 1" MIN.  
 INTO METAL STRUCTURE = 3/4" MIN.

WOOD AT HEAD, SILL OR JAMBS SG = 0.55 MIN.  
 CONCRETE AT HEAD, SILL OR JAMBS f'c = 3000 PSI MIN.  
 C-90 HOLLOW/FILLED BLOCK AT JAMBS f'm = 2000 PSI MIN.

**SEALANT:**  
 ALL JOINTS AND FRAME CONNECTIONS SEALED WITH SCHNEE-MOREHEAD SM5504 SEAM SEALER.

Engr: JAVAD AHMAD  
 CIVIL  
 FLA. FE # 70592  
 C.A.N. 3538

DEC 9 2014

PRODUCT REVISED  
 as complying with the Florida  
 Building Code  
 Acceptance No. 14-1212-03  
 Expiration Date Aug. 15, 2018

By: *Manuel Ferrer*  
 Miami Dade Product Control

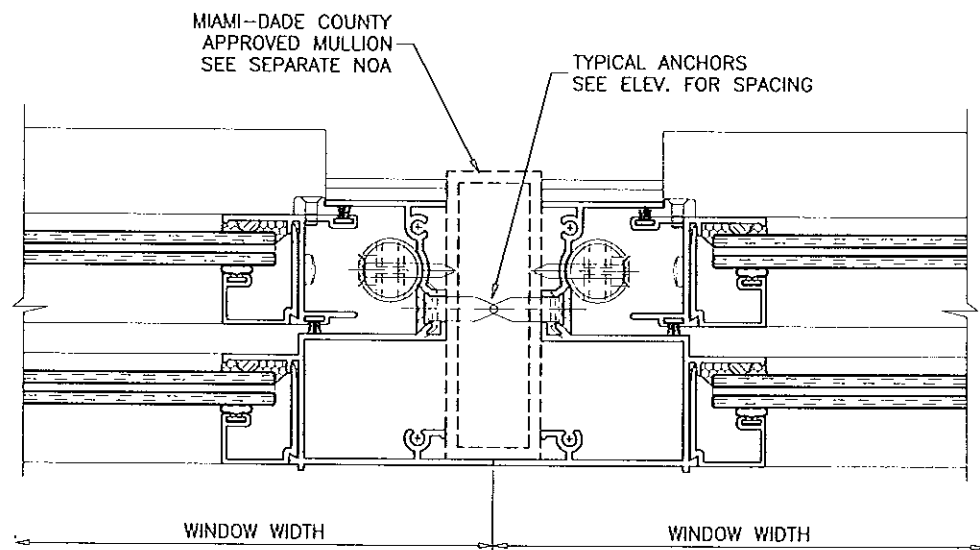
**af c**  
**AL-FAROOQ CORPORATION**  
 ENGINEERS & PRODUCT DEVELOPMENT  
 1235 S.W. 87 AVE  
 MIAMI, FLORIDA 33174  
 TEL (305) 264-8100 FAX (305) 262-6978  
 COMP-ANL W13-08ECO

ECO-GUARD SERIES-100 ALUM S.H. WDW. (S.M.I.)  
**ECO WINDOW SYSTEMS, LLC.**  
 9114 N.W. 106 STREET  
 MEDLEY, FL. 33178  
 TEL. (305) 885-5299 FAX (305) 885-5902

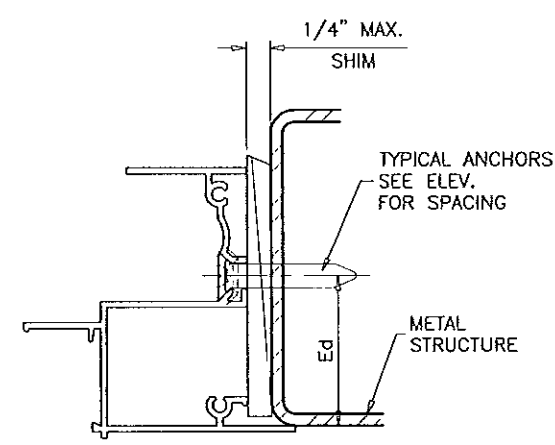
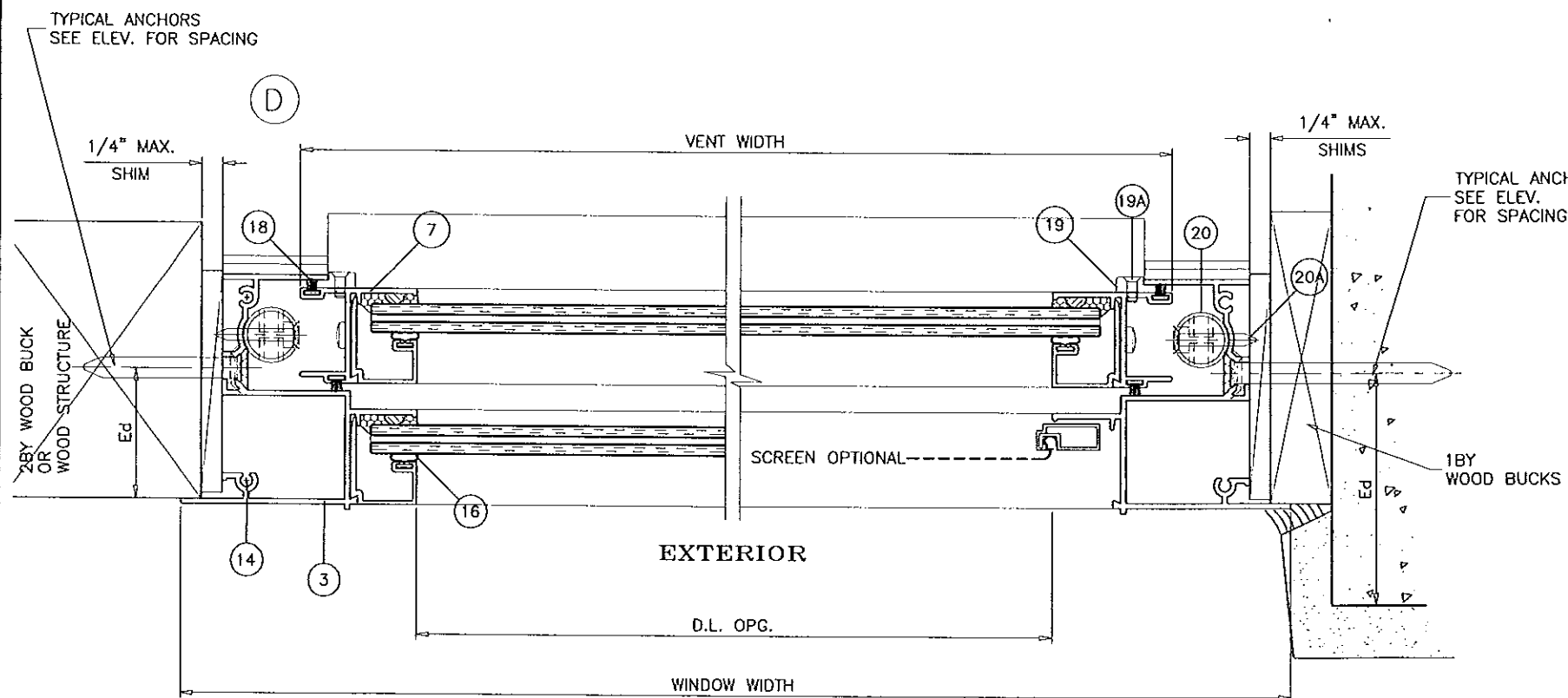
no	date	by	description
A	11.25.14		UPDATED TO 2014 FBC

date: 03-15-13  
 scale: 1/2" = 1"  
 dr. by: HAMID  
 chk. by:

drawing no.  
**W13-08**  
 sheet 2 of 5



ITEM #	PART #	REQD.	DESCRIPTION	MATERIAL	MANF./SUPPLIER/REMARKS
1	FY101	1	FRAME HEAD	6063-T6	-
2	FY115	1	FRAME SILL	6063-T6	-
3	FY103	2	FRAME JAMB	6063-T6	-
4	FY104	1	FIXED MTG. RAIL	6063-T6	-
5	FY105	1	VENT TOP RAIL	6063-T6	-
6	FY114	1	VENT BOTTOM RAIL	6063-T6	-
7	FY107	2	VENT SIDE RAIL	6063-T6	-
8	FY109	AS REQD.	GLAZING BEAD (7/16" LAM. GLASS)	6063-T6	-
9	FY116	2/VENT	SASH STOP	6063-T5	-
10	-	1	FIX. MTG. RAIL REINFORCEMENT	6063-T6	-
12	SL203P	1/VENT	SWEEP LATCH, CENTERED AT VENT	ZAMAK	SULLIVAN & ASSOC.
12A	#8 X 5/8"	2/ LATCH	LATCH INST. SCREWS	ST. STEEL	FH SMS
14	#8 X 1"	AS REQD.	FRAME & VENT ASSEMBLY SCREWS	CRS	PH SMS
14A	#8 X 3/8"	2/ VENT	BOTTOM RAIL ASSEMBLY SCREWS	CRS	PH SMS
15	E207	AS REQD.	BOTTOM RAIL SEAL - SERIES 101	NEOPRENE	ULTRAFAB
16	E203	AS REQD.	GLAZING BEAD BULB	SANTOPRENE	ULTRAFAB
18	W23181	AS REQD.	FIN SEAL W'STRIPPING	-	ULTRAFAB
19	FY117	4/ VENT	SASH GUIDE	CELCON	M&M PLASTICS
19A	#6 X 3/8"	1/ GUIDE	SASH GUIDE INST. SCREW	CRS	OH SMS TYPE B
20	F210	2/VENT	SASH BALANCE	-	SUPERBOOST BY BSI
20A	#8 X 5/8"	1/ BALANCE	BALANCE INST. SCREW	-	P FH SMS
21	-	AS REQD.	GLASS SPACER	SILICONE	FRANK LOWE
22	-	1	5/16" BOX SCREEN	-	OPTIONAL
23	FY120	-	FLUSH FRAME ADAPTER	6063-T6	OPTIONAL



Engr: JAVAD AHMAD  
 CIVIL  
 FLA. PE # 70592  
 C.A.N. 3538

DEC 02 2014

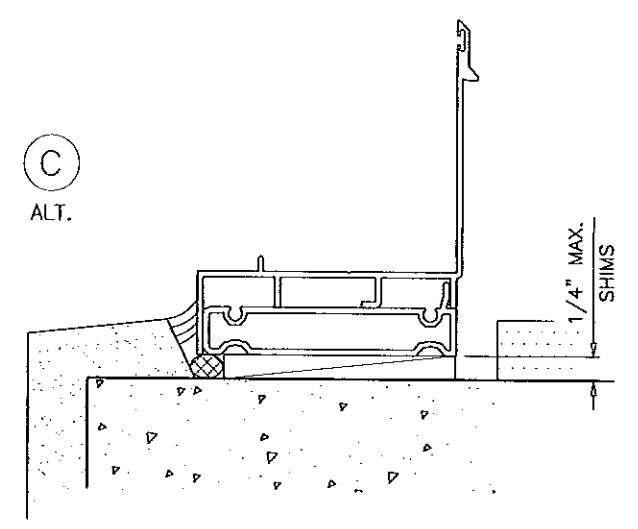
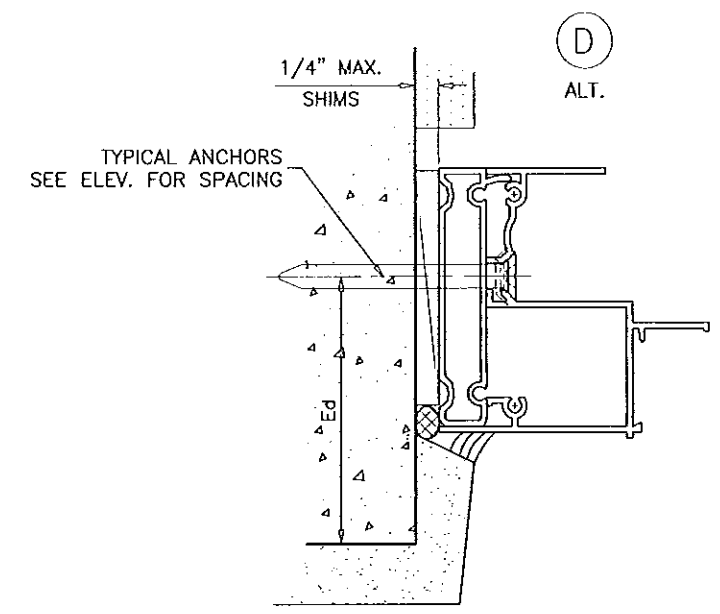
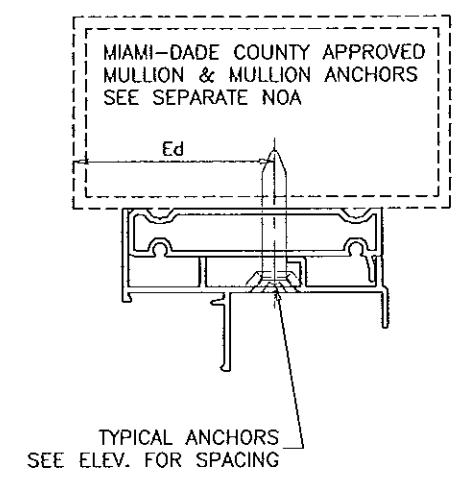
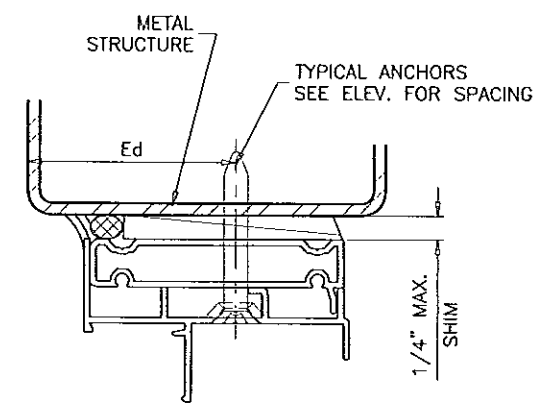
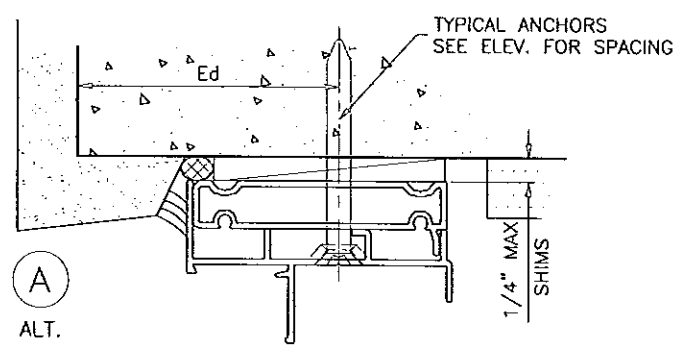
PRODUCT REVISED  
 as complying with the Florida  
 Building Code  
 Acceptance No 14-1212.03  
 Expiration Date Aug. 15, 2018

By *Manuel Barr*  
 Miami/Dade Product Control

**af c**  
**AL-FAROOQ CORPORATION**  
 ENGINEERS & PRODUCT DEVELOPMENT  
 1235 S.W. 87 AVE  
 MIAMI, FLORIDA 33174  
 TEL. (305) 262-6978  
 FAX. (305) 262-6978  
 COMP-ANL W13-08ECO

ECO-GUARD SERIES-100 ALUM S.H. WDW. (S.M.I.)  
**ECO WINDOW SYSTEMS, LLC.**  
 9114 N.W. 106 STREET  
 MEDLEY, FL. 33178  
 TEL. (305) 885-5299 FAX (305) 885-5902

revisions:	no	date	by	description
	A	11.25.14		NO CHANGE THIS SHEET
date:	03-15-13			
scale:	1/2" = 1"			
dr. by:	HAMID			
chk. by:				
drawing no.	W13-08			
sheet	3 of 5			



INSTALLATION DETAILS WITH FLUSH FRAME ADAPTER

Engr: JAVAD AHMAD  
CIVIL  
FLA. PE # 70592  
C.A.N. 3538

*[Signature]*  
DEC 02 2014

PRODUCT REVISED  
as complying with the Florida  
Building Code  
Acceptance No 14-1212.03  
Expiration Date Aug. 15, 2018

By *[Signature]*  
Miami Dade Product Control

**af c**

**AL-FAROOQ CORPORATION**  
ENGINEERS & PRODUCT DEVELOPMENT  
1235 S.W. 87 AVE  
MIAMI, FLORIDA 33174  
TEL. (305) 264-8100 FAX. (305) 262-6978  
COMP-ANL W13-08ECO

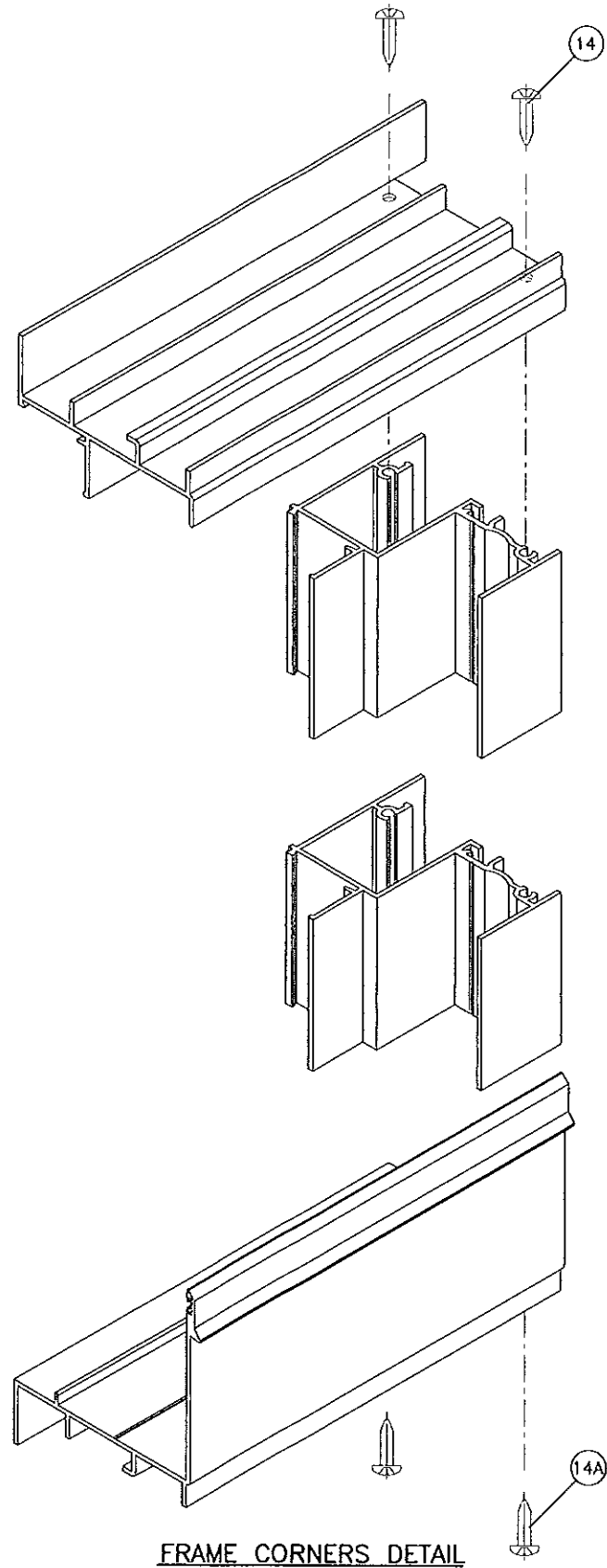
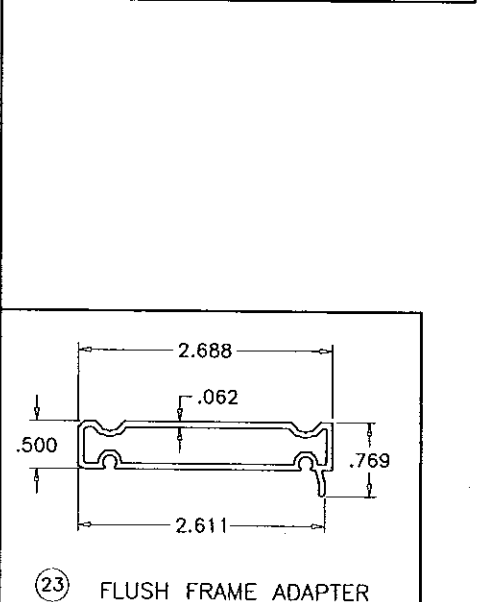
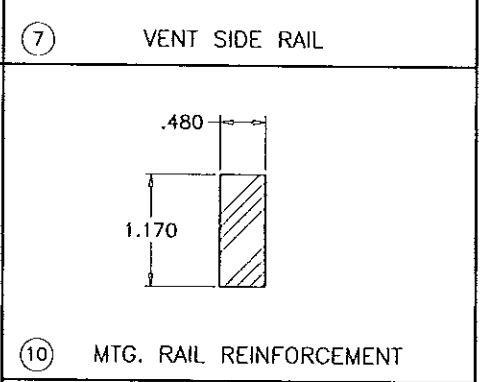
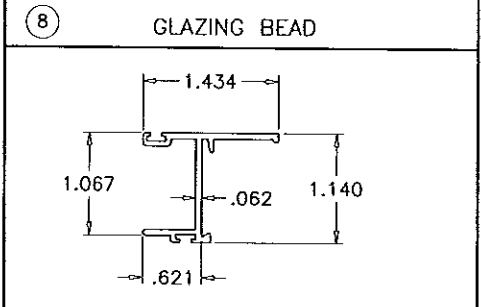
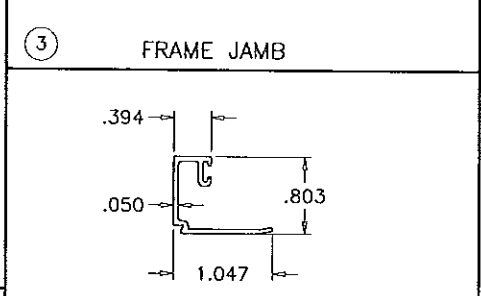
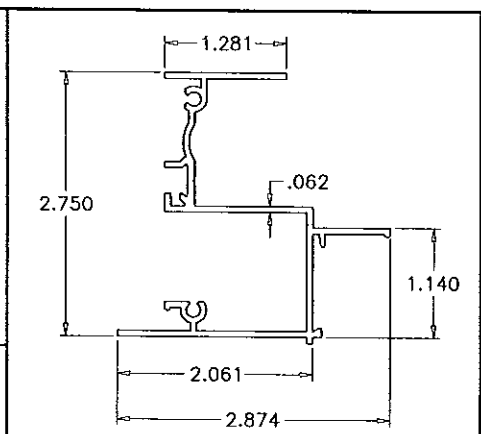
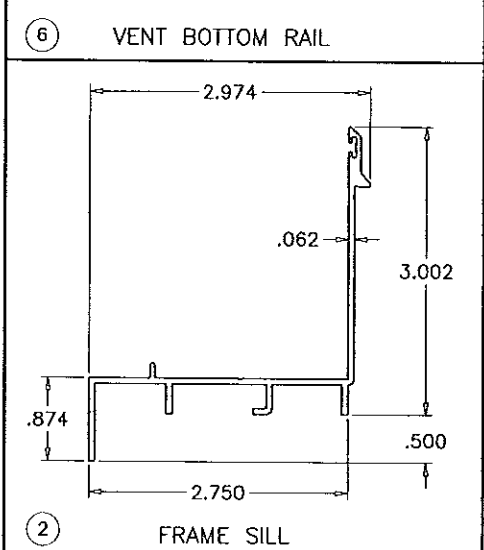
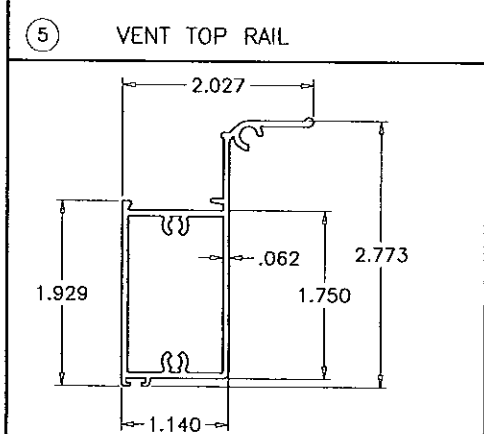
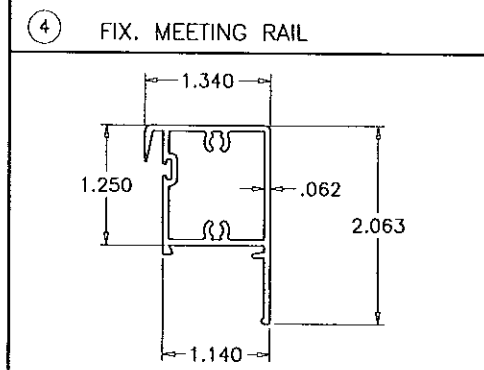
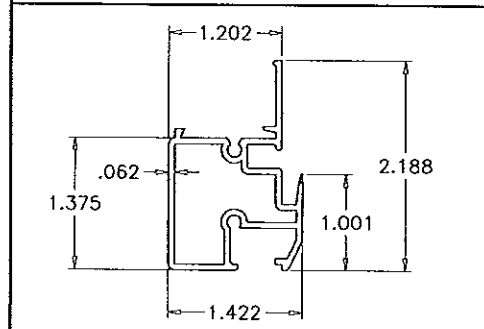
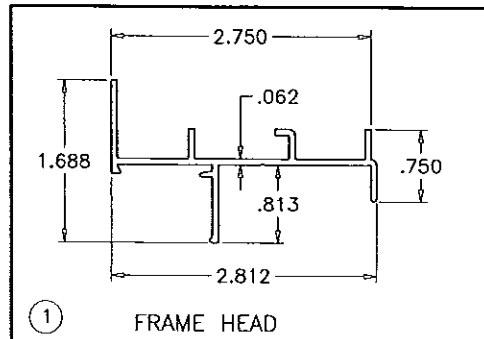
ECO-GUARD SERIES-100 ALUM S.H. WDW. (S.M.I.)

**ECO WINDOW SYSTEMS, LLC.**  
9114 N.W. 106 STREET  
MEDLEY, FL. 33178  
TEL. (305) 885-5299 FAX (305) 885-5902

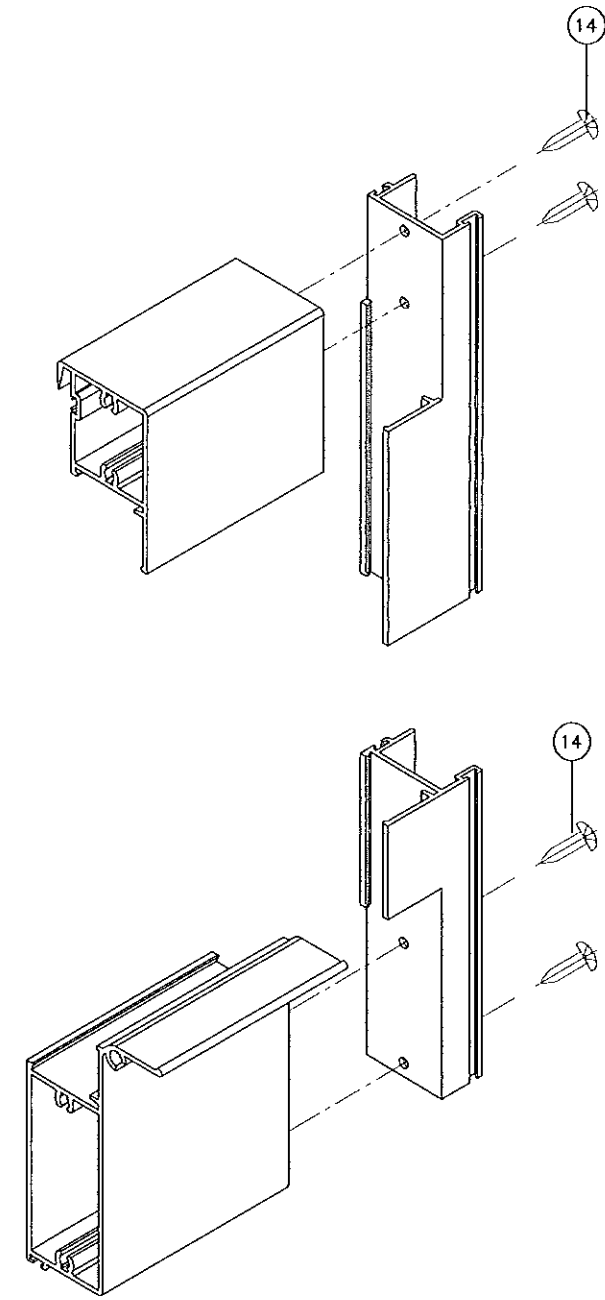
revisions:	
no	description
A	11.25.14 NO CHANGE THIS SHEET

date: 03-15-13  
scale: 1/2" = 1"  
dr. by: HAMID  
chk. by:

drawing no.  
**W13-08**  
sheet 4 of 5



FRAME CORNERS DETAIL



VENT CORNER DETAIL

Engr: JAVAD AHMAD  
 CML  
 FLA. PE # 70592  
 C.A.N. 3538  
 DEC 08 2014

PRODUCT REVISED  
 as complying with the Florida  
 Building Code  
 Acceptance No 14-1212-03  
 Expiration Date Aug 15, 2018  
 By *[Signature]*  
 Miami Dade Product Control

**afc**  
**AL-FAROOQ CORPORATION**  
 ENGINEERS & PRODUCT DEVELOPMENT  
 1235 S.W. 87 AVE  
 MIAMI, FLORIDA 33174  
 TEL. (305) 264-8100 FAX. (305) 262-6978  
 COMP-ANL W13-08ECCO

ECO-GUARD SERIES-100 ALUM S.H. WDW. (S.M.I.)  
**ECO WINDOW SYSTEMS, LLC.**  
 9114 N.W. 106 STREET  
 MEDLEY, FL. 33178  
 TEL. (305) 885-5299 FAX (305) 885-5902

no	date	by	description
A	11.25.14		NO CHANGE THIS SHEET

date: 03-15-13  
 scale: 1/2" = 1"  
 dr. by: HAMID  
 chk. by:

drawing no.  
**W13-08**  
 sheet 5 of 5