



DEPARTMENT OF REGULATORY AND ECONOMIC RESOURCES (RER)
BOARD AND CODE ADMINISTRATION DIVISION

NOTICE OF ACCEPTANCE (NOA)

MIAMI-DADE COUNTY, FLORIDA
PRODUCT CONTROL SECTION

11805 SW 26 Street, Room 208
T (786) 315-2590 F (786) 315-2599

www.miamidade.gov/economy

AWP Windows and Doors, LLC
8130 NW 74 Avenue
Medley, Fl. 33166

SCOPE:

This NOA is being issued under the applicable rules and regulations governing the use of construction materials. The documentation submitted has been reviewed and accepted by Miami-Dade County RER-Product Control Section to be used in Miami-Dade County and other areas where allowed by the Authority Having Jurisdiction (AHJ).

This NOA shall not be valid after the expiration date stated below. The Miami-Dade County Product Control Section (In Miami-Dade County) and/ or the AHJ (in areas other than Miami-Dade County) reserve the right to have this product or material tested for quality assurance purposes. If this product or material fails to perform in the accepted manner, the manufacturer will incur the expense of such testing and the AHJ may immediately revoke, modify, or suspend the use of such product or material within their jurisdiction. RER reserves the right to revoke this acceptance, if it is determined by Miami-Dade County Product Control Section that this product or material fails to meet the requirements of the applicable building code.

This product is approved as described herein, and has been designed to comply with the Florida Building Code, including the High Velocity Hurricane Zone.

DESCRIPTION: Series "1400" Outswing Aluminum Casement Window - N. I.

APPROVAL DOCUMENT: Drawing No. **W02-107**, titled "Series-1400 Aluminum Casement Wdw. (N.I.)", sheets 1 through 6 of 6, dated 10/30/02, with revision G dated 06/22/15, prepared by Al-Farooq Corporation, signed and sealed by Javad Ahmad, P.E., bearing the Miami-Dade County Product Control Section Revision stamp with the Notice of Acceptance number and expiration date by the Miami-Dade County Product Control Section.

MISSILE IMPACT RATING: None

LABELING: Each unit shall bear a permanent label with the manufacturer's name or logo, city, state, series, and following statement: "Miami-Dade County Product Control Approved", unless otherwise noted herein.

RENEWAL of this NOA shall be considered after a renewal application has been filed and there has been no change in the applicable building code negatively affecting the performance of this product.

TERMINATION of this NOA will occur after the expiration date or if there has been a revision or change in the materials, use, and/ or manufacture of the product or process. Misuse of this NOA as an endorsement of any product, for sales, advertising or any other purposes shall automatically terminate this NOA. Failure to comply with any section of this NOA shall be cause for termination and removal of NOA.

ADVERTISEMENT: The NOA number preceded by the words Miami-Dade County, Florida, and followed by the expiration date may be displayed in advertising literature. If any portion of the NOA is displayed, then it shall be done in its entirety.

INSPECTION: A copy of this entire NOA shall be provided to the user by the manufacturer or its distributors and shall be available for inspection at the job site at the request of the Building Official.

This NOA revises NOA No. **13-0122.06** and consists of this page 1 and evidence pages E-1, E-2 and E-3, as well as approval document mentioned above.

The submitted documentation was reviewed by **Manuel Perez, P. E.**



MP
6/25/15

NOA No. 15-0129.14
Expiration Date: January 23, 2018
Approval Date: July 02, 2015
Page 1

NOTICE OF ACCEPTANCE: EVIDENCE SUBMITTED

A. DRAWINGS

1. Manufacturer's die drawings and sections.
(Submitted under NOA No. 02-1107.03 and previous NOA No. 13-0122.06)
2. Drawing No. **W02-107**, titled "Series-1400 Aluminum Casement Wdw. (N.I.)", sheets 1 through 6 of 6, dated 10/30/02, with revision **G** dated 06/22/15, prepared by Al-Farooq Corporation, signed and sealed by Javad Ahmad, P.E.

B. TESTS

1. Test reports on: 1) Air Infiltration Test, per FBC, TAS 202-94
2) Uniform Static Air Pressure Test, Loading per FBC, TAS 202-94
3) Water Resistance Test, per FBC, TAS 202-94
4) Forced Entry Test, per FBC 2411.3.2.1 and TAS 202-94
along with marked-up drawings and installation diagram of an aluminum casement window, prepared by Fenestration Testing Laboratory, Test Report No. **FTL-7768** dated 07/02/14, signed and sealed by Idalmis Ortega, P.E.
2. Test reports on: 1) Air Infiltration Test, per FBC, TAS 202-94
2) Uniform Static Air Pressure Test, Loading per FBC, TAS 202-94
3) Water Resistance Test, per FBC, TAS 202-94
4) Forced Entry Test, per FBC 2411.3.2.1 and TAS 202-94
along with marked-up drawings and installation diagram of an aluminum casement window, prepared by Fenestration Testing Laboratory, Test Report No. **FTL-7602** dated 12/03/13, signed and sealed by Marlin D. Brinson, P.E.
3. Test reports on: 1) Air Infiltration Test, per FBC, TAS 202-94
2) Uniform Static Air Pressure Test, Loading per FBC, TAS 202-94
3) Water Resistance Test, per FBC, TAS 202-94
4) Forced Entry Test, per FBC 2411.3.2.1 and TAS 202-94
along with marked-up drawings and installation diagram of an aluminum casement window, prepared by Fenestration Testing Laboratory, Test Report No. **FTL-7174** dated 01/04/13, signed and sealed by Marlin D. Brinson, P.E.
(Submitted under previous NOA No. 13-0122.06)
4. Test reports on: 1) Air Infiltration Test, per FBC, TAS 202-94
2) Uniform Static Air Pressure Test, Loading per FBC, TAS 202-94
3) Water Resistance Test, per FBC, TAS 202-94
4) Forced Entry Test, per FBC 2411.3.2.1 and TAS 202-94
along with marked-up drawings and installation diagram of an aluminum casement window, prepared by Fenestration Testing Laboratory, Test Report No. **FTL-3264** dated 02/11/02, signed and sealed by Luis Antonio Figueredo, P.E.
(Submitted under NOA No. 02-1107.03)


Manuel Perez, P.E.
Product Control Examiner
NOA No. 15-0129.14

Expiration Date: January 23, 2018
Approval Date: July 02, 2015

AWP Windows and Doors, LLC

NOTICE OF ACCEPTANCE: EVIDENCE SUBMITTED

B. TESTS (CONTINUED)

5. Test reports on: 1) Uniform Static Air Pressure Test, Loading per FBC, TAS 202-94 along with marked-up drawings and installation diagram of an aluminum casement window, prepared by Fenestration Testing Laboratory, Test Report No. **FTL-3265** dated 02/15/02, signed and sealed by Luis Antonio Figueredo, P.E.
(Submitted under NOA No. 02-1107.03)

C. CALCULATIONS

1. Anchor verification calculations and structural analysis, complying with **FBC 5th Edition (2014)**, dated 06/12/14, prepared by Al-Farooq Corporation, signed and sealed by Javad Ahmad, P.E.
2. Glazing complies with **ASTM E1300-04/ 09**

D. QUALITY ASSURANCE

1. Miami-Dade Department of Regulatory and Economic Resources (RER).

E. MATERIAL CERTIFICATIONS

1. None.

F. STATEMENTS

1. Statement letter of conformance, complying with the **FBC 5th Edition (2014)**, and of no financial interest, dated 06/12/14, signed and sealed by Javad Ahmad, P. E.
2. Laboratory compliance letter for Test Report No. **FTL-7768**, issued by Fenestration Testing Laboratory, Inc., dated 07/02/14, signed and sealed by Idalmis Ortega, P.E.
3. Laboratory compliance letter for Test Report No. **FTL-7602**, issued by Fenestration Testing Laboratory, Inc., dated 12/03/13, signed and sealed by Marlin D. Brinson, P.E.
4. Proposal No. **13-0709** issued by the Product Control, dated 07/16/13 and revised dated 08/01/13, signed by Manuel Perez, P. E.
5. Letter from owners of existing NOA stating that they have sold all assets to the applicant, that they no longer manufacture the product and relinquish their rights to the current NOA No. **13-0122.06**, dated 06/24/14, signed by Mr. Kevin Barrett.
6. Florida Dept. of State, listing of **AWP WINDOWS AND DOORS, LLC** (Foreign Limited Liability, Co.), as a limited liability company, active and organized under the laws of the State of Florida, dated 01/10/14 and recorded by B. Bostick, Examiner at the Secretary of State.
7. Delaware Dept. of State, certify of **AWP WINDOWS AND DOORS, LLC** (Foreign Limited Liability, Co.), as a limited liability company, active and organized under the laws of the State of Delaware, dated 01/08/14 and signed by Jeffrey W. Bullock, Secretary of State.


Manuel Perez, P.E.
Product Control Examiner

NOA No. 15-0129.14

Expiration Date: January 23, 2018

Approval Date: July 02, 2015

AWP Windows and Doors, LLC

NOTICE OF ACCEPTANCE: EVIDENCE SUBMITTED

F. STATEMENTS (CONTINUED)

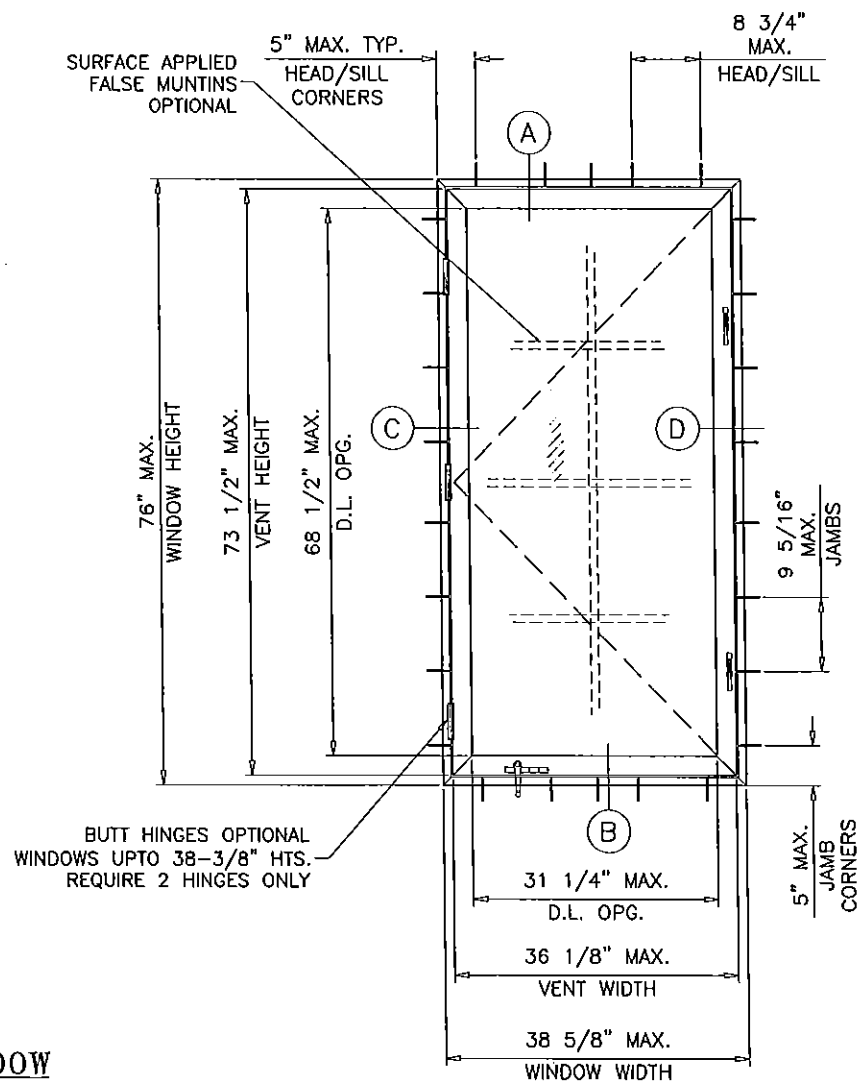
8. Laboratory compliance letter for Test Report No. **FTL-7174**, issued by Fenestration Testing Laboratory, Inc., dated 01/04/13, signed and sealed by Marlin D. Brinson, P.E.
(Submitted under previous NOA No. 13-0122.06)
9. Proposal issued by the Product Control Section, dated 09/05/12, signed by Manuel Perez, P.E.
(Submitted under previous NOA No. 13-0122.06)
10. Florida Dept. of State, listing of Trulite Window & Door Solutions, LLC (Foreign Limited Liability Co.), managed by Arch Intermediate Holding, LLC, Tamarac, Fl., dated 02/03/10.
(Submitted under NOA No. 12-0118.26)
11. Laboratory compliance letter for Test Report No. **FTL-3264** dated 02/11/02 and **FTL-3265** dated 02/15/02, both issued by Fenestration Testing Laboratory, Inc., signed and sealed by Luis Antonio Figueredo, P.E.
(Submitted under NOA No. 02-1107.03)

G. OTHERS

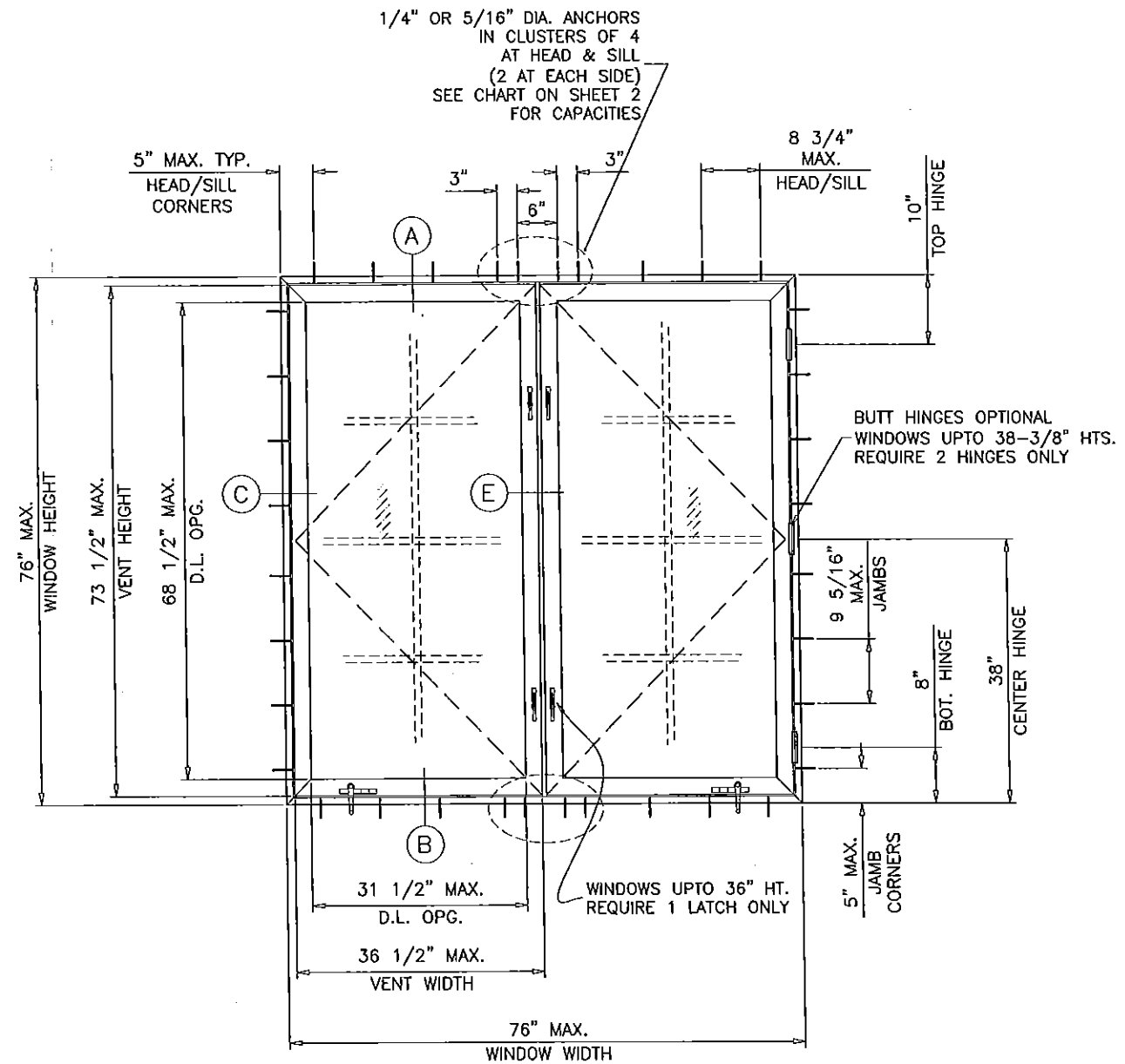
1. Notice of Acceptance No. **13-0122.06**, issued to Trulite Window & Door Solutions, LLC, for their Series "1400" Outswing Aluminum Casement Window -- N.I., approved on 04/04/13 and expiring on 01/23/18.


Manuel Perez, P.E.
Product Control Examiner
NOA No. 15-0129.14

Expiration Date: January 23, 2018
Approval Date: July 02, 2015



SINGLE VENT WDW.



DUAL VENT WDW.

**SERIES-1400
ALUMINUM CASEMENT WINDOW**

DESIGN LOAD RATINGS FOR THESE WINDOWS TO BE AS PER CHARTS SHOWN ON SHEET 2.

APPROVAL APPLIES TO SINGLE CASEMENT WINDOWS, ALSO COMBINATIONS OF CASMT/CASMT OR CASMT WITH OTHER WINDOW TYPES IN MODULES OF TWO OR MORE WINDOWS USING MIAMI-DADE COUNTY APPROVED MULLIONS IN BETWEEN. LOWER DESIGN PRESSURE FROM WINDOWS OR MULLION APPROVAL WILL APPLY TO ENTIRE SYSTEM.

THIS PRODUCT HAS BEEN DESIGNED AND TESTED TO COMPLY WITH THE REQUIREMENTS OF THE FLORIDA BUILDING CODE INCLUDING HIGH VELOCITY HURRICANE ZONE (HVHZ).

WOOD BUCKS BY OTHERS, MUST BE ANCHORED PROPERLY TO TRANSFER LOADS TO THE STRUCTURE.

ANCHORS SHALL BE AS LISTED, SPACED AS SHOWN ON DETAILS, ANCHORS EMBEDMENT TO BASE MATERIAL SHALL BE BEYOND WALL DRESSING OR STUCCO.

ANCHORING OR LOADING CONDITIONS NOT SHOWN IN THESE DETAILS ARE NOT PART OF THIS APPROVAL.

A LOAD DURATION INCREASE IS USED IN DESIGN OF ANCHORS INTO WOOD ONLY.

ALL SHIMS TO BE HIGH IMPACT, NON-METALLIC AND NON-COMPRESSIBLE.

MATERIALS INCLUDING BUT NOT LIMITED TO STEEL/METAL SCREWS, THAT COME INTO CONTACT WITH OTHER DISSIMILAR MATERIALS SHALL MEET THE REQUIREMENTS OF THE FLORIDA BLDG. CODE.

WINDOWS NOT RATED FOR IMPACT. INSTALLATION OF THIS PRODUCT IN THE HVHZ AREA REQUIRES THE USE OF APPROVED SHUTTERS OR EXTERNAL PROTECTION DEVICES COMPLYING WITH HVHZ REQUIREMENTS. INSTALLATION OF THIS SYSTEM OUTSIDE THE HVHZ AREA SHALL MEET THE APPLICABLE REQUIREMENTS FOR WIND BORNE DEBRIS PROTECTION.

**MONOLITHIC GLASS
INSULATING GLASS
NON IMPACT**

PRODUCT REVISED
as complying with the Florida Building Code
Acceptance No. **15-0129.14**
Expiration Date **2112312018**
By *Manuel Pro*
Miami Dade Product Control

Engr: JAVAD AHMAD
CIVIL
FLA. PE # 70592
C.A.N., 3538
JUN 23 2015

af c
AL-FAROOQ CORPORATION
ENGINEERS & PRODUCT DEVELOPMENT
1235 S.W. 87 AVE
MIAMI, FLORIDA 33174
TEL. (305) 264-8100 FAX (305) 262-6978
COMP-ANL\W02-107AWP

SERIES-1400 ALUMINUM CASEMENT WDW. (N.I.)
AWP WINDOWS & DOORS, LLC
8130 N.W. 74TH AVE.
MEDLEY, FL. 33166
TEL. (305) 887-2646 FAX (305) 883-1309

no	date	by	description
C	02.18.09		UPDATED FOR 2007 FBC
D	09.02.10		MANUF. NAME REVISED
E	12.23.11		UPDATED TO 2010 FBC, NAME REV
F	11.04.14		GENERAL REVISION
G	06.22.15		REV. PER PER COMMENTS

date: 10-30-02
scale: 1/2" = 1'-0"
dr. by: HAMID
chk. by:

drawing no.
W02-107

sheet 1 of 6

DESIGN LOAD CAPACITY - PSF FOR (X) SIZES							
WINDOW DIMS.		GLASS TYPE 'A'		GLASS TYPES 'B' & 'C'		GLASS TYPE 'D'	
WIDTH	HEIGHT	EXT.(+)	INT.(-)	EXT.(+)	INT.(-)	EXT.(+)	INT.(-)
19-1/8"	26"	60.0	125.0	60.0	155.6	60.0	125.0
26-1/2"		60.0	108.3	60.0	108.3	60.0	108.3
37"		60.0	77.8	60.0	77.8	60.0	77.8
19-1/8"	38-3/8"	60.0	125.0	60.0	140.5	60.0	125.0
26-1/2"		60.0	97.9	60.0	97.9	60.0	97.9
37"		60.0	70.3	60.0	70.3	60.0	70.3
19-1/8"	50-5/8"	60.0	112.8	60.0	157.7	60.0	125.0
26-1/2"		60.0	81.4	60.0	111.3	60.0	87.3
37"		X	X	60.0	79.9	60.0	79.0
19-1/8"	63"	60.0	87.8	60.0	146.7	60.0	125.0
26-1/2"		X	X	60.0	104.3	60.0	68.2
37"		X	X	60.0	74.9	58.3	58.3
19-1/8"	74-1/4"	53.1	53.1	60.0	119.2	60.0	107.5
26-1/2"		X	X	60.0	87.8	60.0	61.7
37"		X	X	60.0	64.3	45.6	45.6
19-1/8"	76"	49.5	49.5	60.0	112.0	60.0	101.1
26-1/2"		X	X	60.0	82.7	60.0	61.1
37"		X	X	60.0	62.2	44.2	44.2

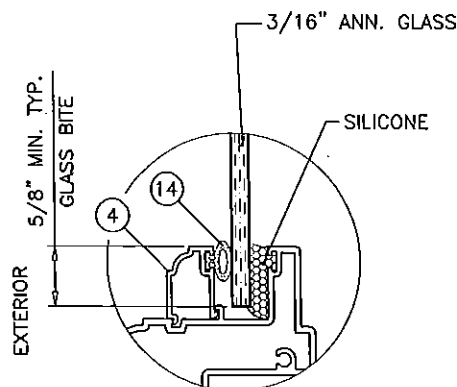
() = NO. OF ANCHORS PER JAMB

DESIGN LOAD CAPACITY - PSF FOR (XX) SIZES									
WINDOW DIMS.		CLUSTER OF 1/4" ANCHORS AT IMPOST LOCATION				CLUSTER OF 5/16" ANCHORS AT IMPOST LOCATION			
WIDTH	HEIGHT	GLASS TYPE 'A'		GLASS TYPES 'B' & 'C'		GLASS TYPE 'D'		GLASS TYPES 'B' & 'C'	
WIDTH	HEIGHT	EXT.(+)	INT.(-)	EXT.(+)	INT.(-)	EXT.(+)	INT.(-)	EXT.(+)	INT.(-)
26-1/2"	26"	60.0	125.0	60.0	210.0	60.0	125.0	60.0	210.0
37"		60.0	125.0	60.0	155.6	60.0	125.0	60.0	155.6
48"		60.0	119.9	60.0	119.9	60.0	119.9	60.0	119.9
53-1/8"		60.0	108.3	60.0	108.3	60.0	108.3	60.0	108.3
74"		60.0	77.8	60.0	77.8	60.0	77.8	60.0	77.8
26-1/2"	38-3/8"	60.0	125.0	60.0	196.2	60.0	125.0	60.0	196.2
37"		60.0	125.0	60.0	140.5	60.0	125.0	60.0	140.5
48"		60.0	115.1	60.0	108.3	60.0	105.9	60.0	108.3
53-1/8"		60.0	97.9	60.0	97.9	60.0	95.7	60.0	97.9
74"		60.0	70.3	60.0	70.3	60.0	68.7	60.0	70.3
26-1/2"	50-5/8"	60.0	125.0	60.0	182.0	60.0	125.0	60.0	209.5
37"		60.0	113.2	60.0	130.4	60.0	104.2	60.0	153.2
48"		60.0	87.3	60.0	100.5	60.0	80.3	60.0	118.1
53-1/8"		60.0	78.9	60.0	90.8	60.0	72.5	60.0	106.7
74"		X	X	60.0	65.2	60.0	52.1	60.0	76.6
26-1/2"	63"	60.0	121.3	60.0	146.3	60.0	116.9	60.0	163.5
37"		60.0	88.3	60.0	104.8	60.0	83.7	60.0	122.8
48"		60.0	69.7	60.0	80.8	59.8	64.5	60.0	94.9
53-1/8"		X	X	60.0	73.0	55.4	58.3	60.0	85.7
74"		X	X	51.3	51.3	44.4	41.9	60.0	61.6
26-1/2"	74-1/4"	60.0	73.7	60.0	124.1	60.0	94.3	60.0	136.3
37"		53.4	53.4	60.0	88.9	60.0	68.2	60.0	101.0
48"		X	X	60.0	68.5	49.0	53.3	60.0	78.9
53-1/8"		X	X	60.0	61.9	45.2	48.5	60.0	71.9
74"		X	X	40.7	40.7	35.5	35.5	52.2	52.2
26-1/2"	76"	60.0	68.7	60.0	121.3	60.0	88.5	60.0	132.0
37"		49.8	49.8	60.0	86.9	59.3	64.1	60.0	95.6
48"		X	X	60.0	66.9	47.6	50.2	60.0	74.9
53-1/8"		X	X	60.0	60.5	43.9	45.8	60.0	68.3
74"		X	X	39.4	39.4	34.4	34.5	51.0	51.0
26-1/2"	76"	60.0	68.7	60.0	121.3	60.0	88.5	60.0	132.0
37"		49.8	49.8	60.0	86.9	59.3	64.1	60.0	95.6
48"		X	X	60.0	66.9	47.6	50.2	60.0	74.9
53-1/8"		X	X	60.0	60.5	43.9	45.8	60.0	68.3
74"		X	X	39.4	39.4	34.4	34.5	51.0	51.0

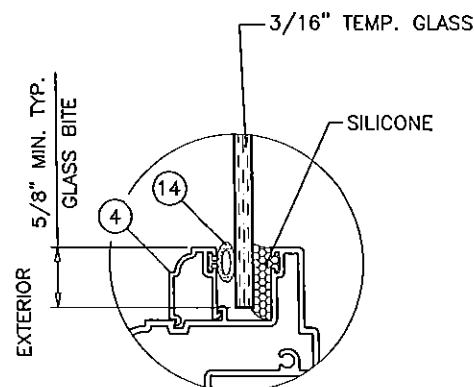
() = NO. OF ANCHORS PER JAMB

OR 1/4" ANCHORS INTO PRECAST SILL

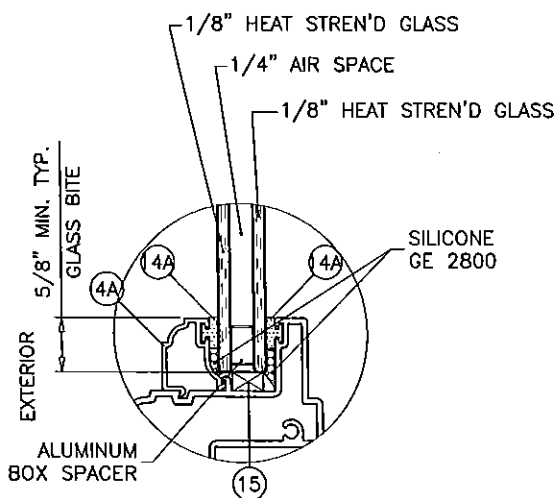
5/16" ANCHORS REQD. AT IMPOST CLUSTERS ONLY AT HEAD & SILL
ALL OTHER HEAD, SILL AND JAMB ANCHORS TO BE 1/4".



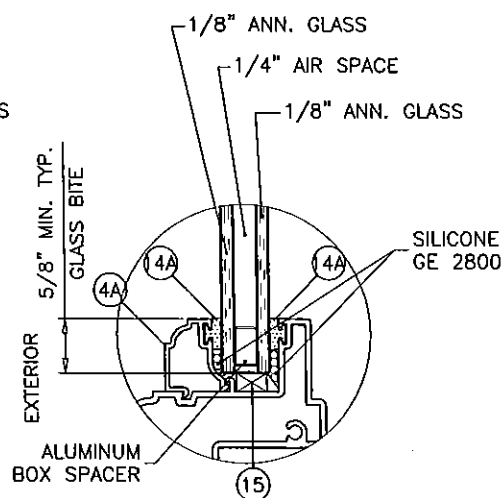
GLASS TYPE 'A'
MONOLITHIC GLASS



GLASS TYPE 'B'
MONOLITHIC GLASS

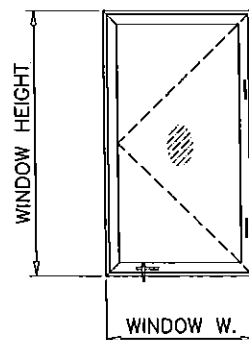


GLASS TYPE 'C'
1/2" OVERALL INSUL. GLASS

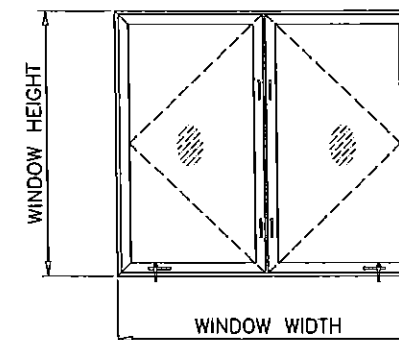


GLASS TYPE 'D'
1/2" OVERALL INSUL. GLASS

GLAZING OPTIONS



X



XX

APPROVED CONFIGURATIONS

PRODUCT REVISED
as complying with the Florida
Building Code
Acceptance No. 15-0129
Expiration Date 02/23/2018
By Manuel Perez
Miami Dade Product Control

NOTE:
GLASS CAPACITIES ON THIS SHEET ARE
BASED ON ASTM E1300-09 (3 SEC. GUSTS)
AND FLORIDA BUILDING COMMISSION
DECLARATORY STATEMENT DCA05-DEC-219

Engr: JAVAD AHMAD
CIVIL
FLA. PE # 70592
C.A.N. 3538

JUN 23 2015

afC
AL-FAROOQ CORPORATION
ENGINEERS & PRODUCT DEVELOPMENT
1235 S.W. 87 AVE
MIAMI, FLORIDA 33174
TEL. (305) 262-6978
FAX. (305) 262-6978
COMP-ANL\W02-107AWP

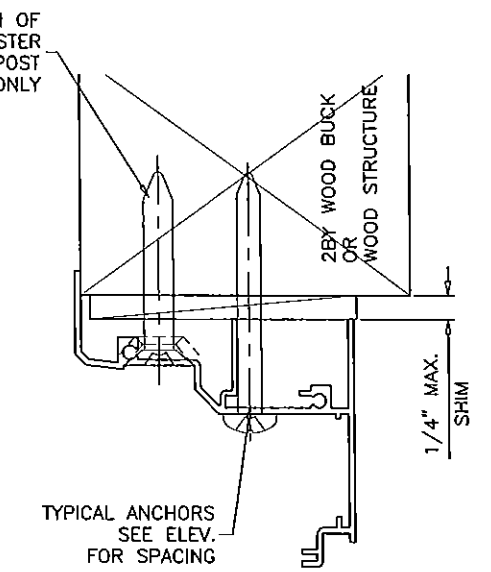
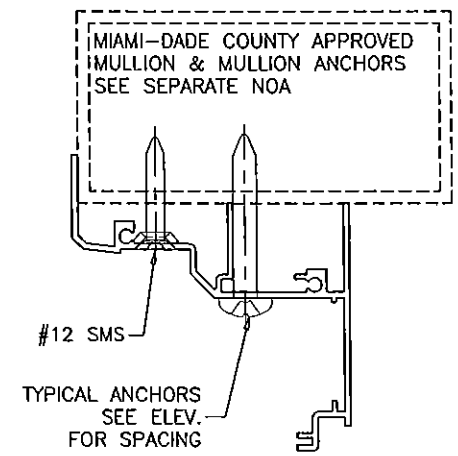
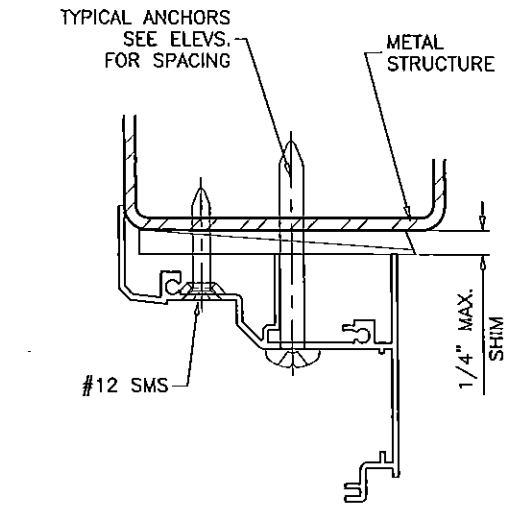
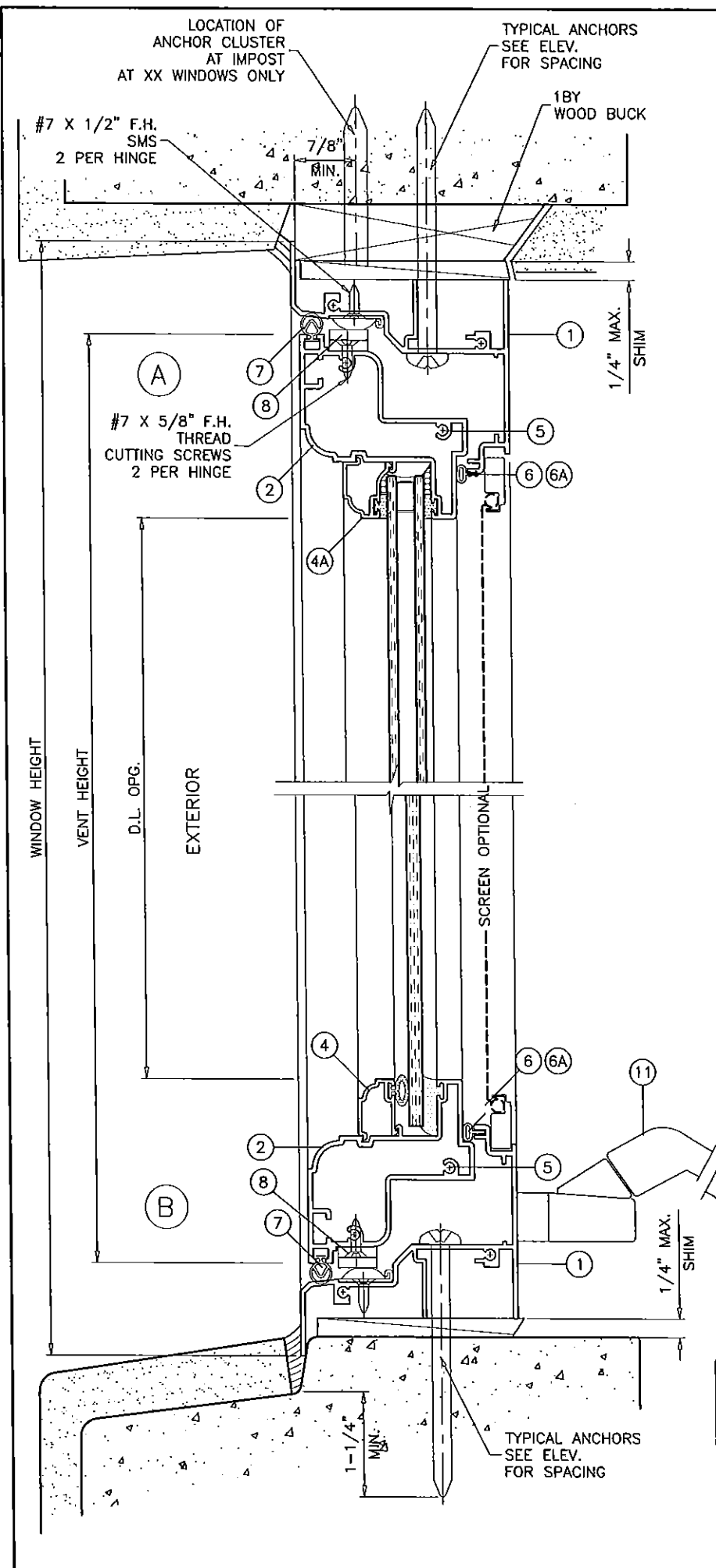
SERIES-1400 ALUMINUM CASEMENT WDW. (N.I.)
AWP WINDOWS & DOORS, LLC
8130 N.W. 74TH AVE.
MEDLEY, FL. 33166
TEL. (305) 887-2646
FAX (305) 883-1309

NO.	DATE	DESCRIPTION
C	02.18.09	UPDATED FOR 2007 FBC
D	09.02.10	MANUF. NAME REVISED
E	12.23.11	MANUF. NAME REVISED
F	11.04.14	GENERAL REVISION
G	06.22.15	REV. PER COMMENTS

date: 10-30-02
scale: 1/2" = 1"
dr. by: HAMID
chk. by:

drawing no.
W02-107

sheet 2 of 6



TYPICAL ANCHORS: SEE ELEV. FOR SPACING

1/4" DIA. TAPCONS BY 'ITW' (Fu=125 KSI, Fy=100 KSI)

1/4" DIA. ULTRACON BY 'ELCO' (Fu=177 KSI, Fy=155 KSI)

INTO 2BY WOOD BUCKS OR WOOD STRUCTURES
1-1/2" MIN. PENETRATION INTO WOOD

THRU 1BY BUCKS INTO CONC. OR MASONRY
1-1/4" MIN. EMBED INTO CONC. OR MASONRY

DIRECTLY INTO CONC. OR MASONRY
1-1/4" MIN. EMBED INTO CONC. OR MASONRY

1/4" DIA. TEKS OR SELF DRILLING SCREWS (GRADE 5 CRS)

INTO MIAMI-DADE COUNTY APPROVED MULLIONS (MIN. THK. = 1/8")

INTO METAL STRUCTURES

STEEL : 12 GA. MIN. (Fy = 36 KSI MIN.)

ALUMINUM : 1/8" THK. MIN. (6063-T5 MIN.)

(STEEL IN CONTACT WITH ALUMINUM TO BE PLATED OR PAINTED)

TYPICAL EDGE DISTANCE

INTO CONCRETE AND MASONRY = 1-1/2" MIN.

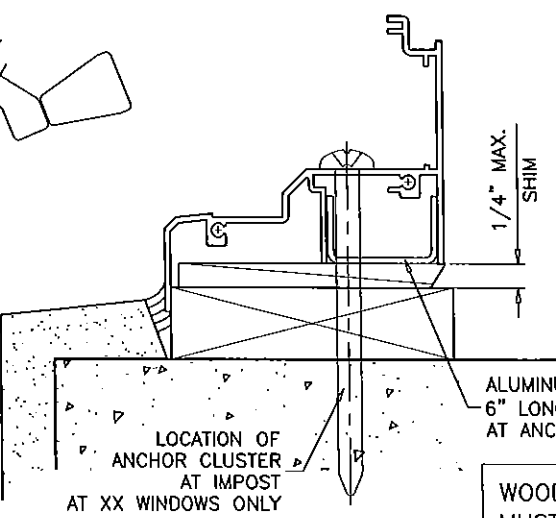
INTO WOOD STRUCTURE = AS SHOWN

INTO METAL STRUCTURE = 1/2" MIN.

WOOD AT HEAD, SILL OR JAMBS SG = 0.55 MIN.

CONCRETE AT HEAD, SILL OR JAMBS f'c = 3000 PSI MIN.

C-90 HOLLOW/FILLED BLOCK AT JAMBS f'm = 2000 PSI MIN.



WOOD BUCKS AND METAL STRUCTURE NOT BY AWP MUST SUSTAIN LOADS IMPOSED BY GLAZING SYSTEM AND TRANSFER THEM TO THE BUILDING STRUCTURE.

5/16" DIA. ULTRACON BY 'ELCO' (Fu=177 KSI, Fy=155 KSI)

INTO 2BY WOOD BUCKS OR WOOD STRUCTURES
1-1/2" MIN. PENETRATION INTO WOOD

THRU 1BY BUCKS INTO CONC. OR MASONRY
1-1/4" MIN. EMBED INTO CONC. OR MASONRY

PRODUCT REVISED as complying with the Florida Building Code Acceptance No. 15-0129-14 Expiration Date 04/23/2018 By Manuel Perez Miami Dade Product Control

Engr: JAVAD AHMAD CIVIL FLA. PE # 70592 C.A.N. 3538 JUN 23 2015

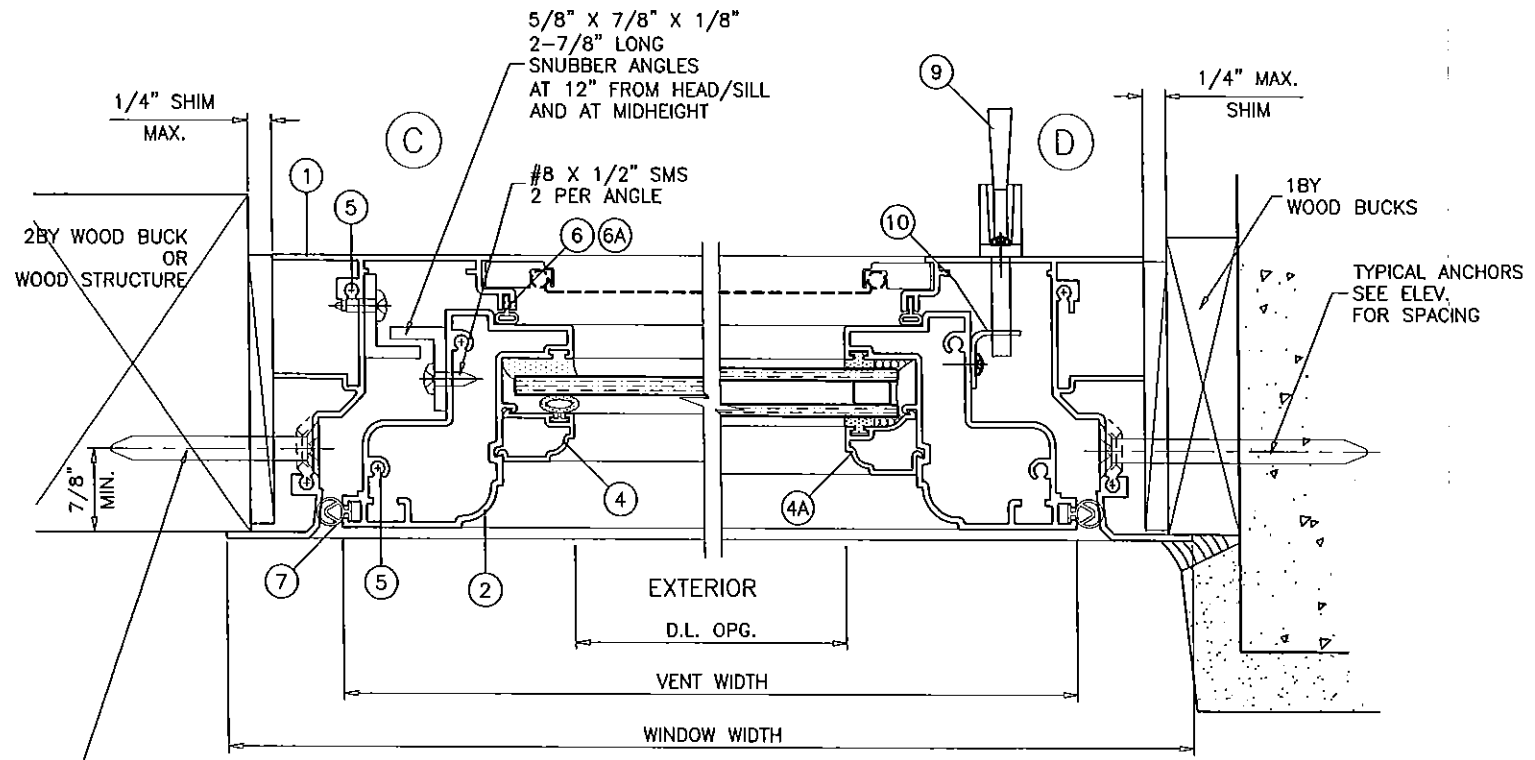
af c
AL-FAROOQ CORPORATION
ENGINEERS & PRODUCT DEVELOPMENT
1235 S.W. 87 AVE
MIAMI, FLORIDA 33174
TEL. (305) 264-8100 FAX. (305) 262-6978
COMP-ANL\W02-107AWP

SERIES-1400 ALUMINUM CASEMENT WDW. (N.I.)
AWP WINDOWS & DOORS, LLC
8130 N.W. 74TH AVE.
MEDLEY, FL. 33166
TEL. (305) 887-2646 FAX (305) 883-1309

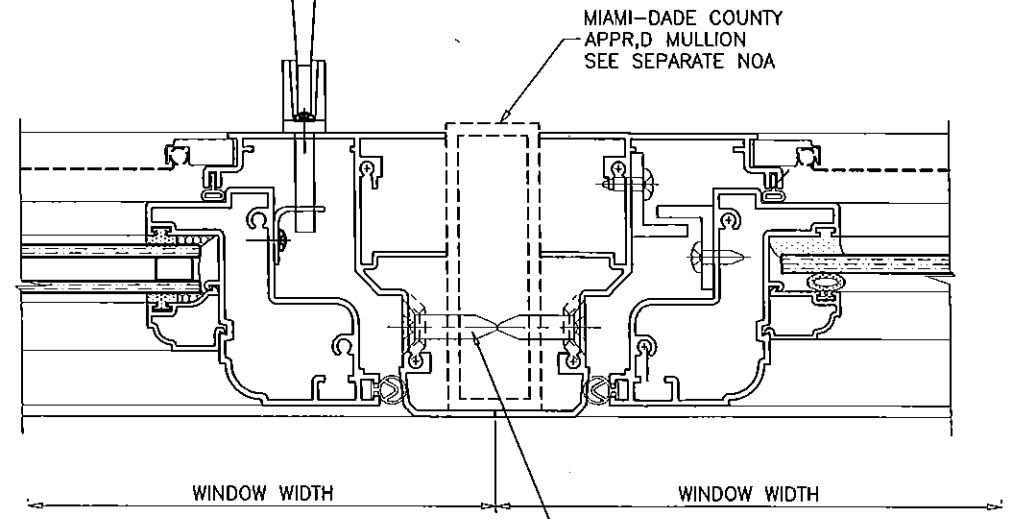
no.	date	description	by
C	02.18.09	UPDATED FOR 2007 FBC	
D	09.02.10	MANUF. NAME REVISED	
E	12.23.11	MANUF. NAME REVISED	
F	11.04.14	GENERAL REVISION	
G	08.22.15	NO CHANGE THIS SHEET	

date: 10-30-02
scale: 1/2" = 1"
dr. by: HAMID
chk. by:

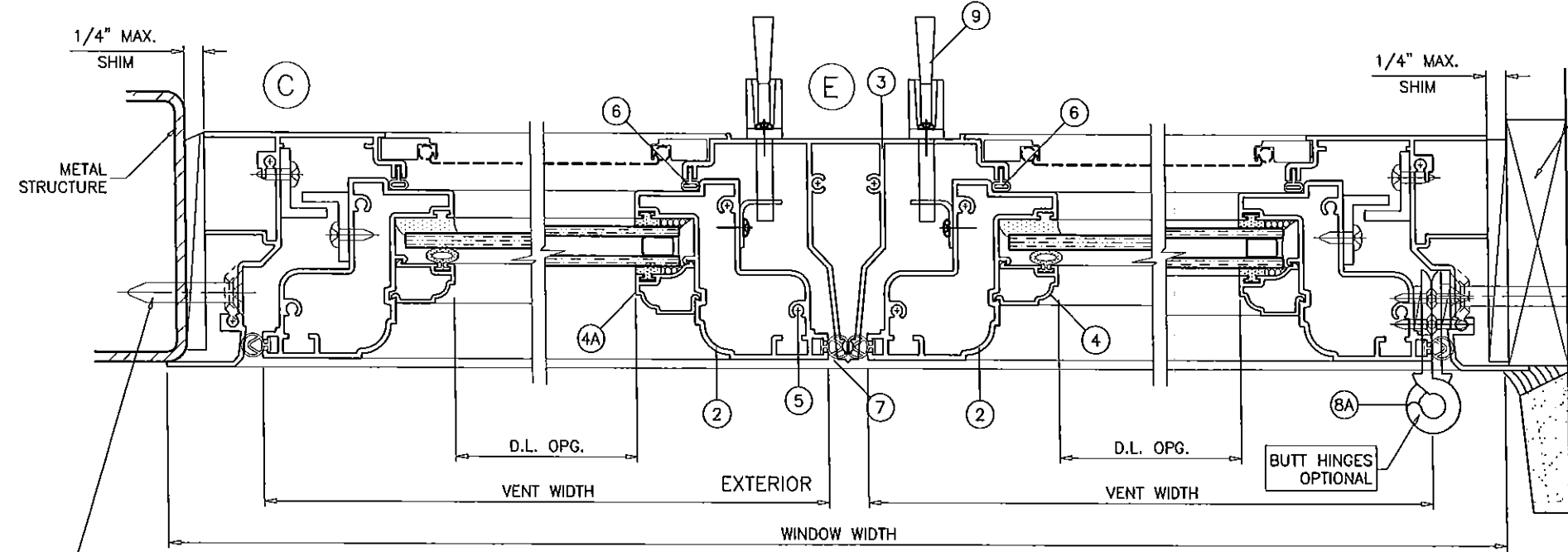
drawing no. **W02-107**
sheet 3 of 6



SINGLE VENT WINDOWS



DUAL VENT WINDOWS



DUAL VENT WINDOWS

PRODUCT REVISED
 as complying with the Florida
 Building Code
 Acceptance No. **15-0129.14**
 Expiration Date **01/23/2018**
 By *Mannick*
 Miami Dade Product Control

Engr: JAVAD AHMAD
 CIVIL
 FLA. PE # 70592
 C.A.N. 3538
 JUN 23 2015

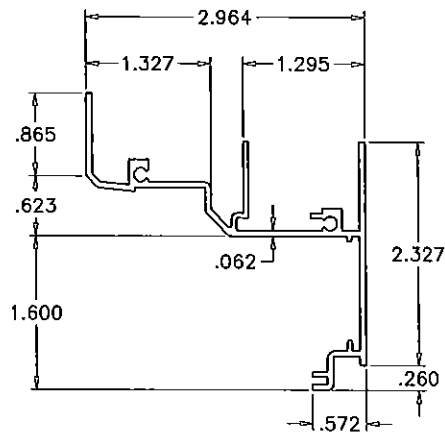
afc
AL-FAROOQ CORPORATION
 ENGINEERS & PRODUCT DEVELOPMENT
 1235 S.W. 87 AVE
 MIAMI, FLORIDA 33174
 TEL. (305) 264-8100 FAX. (305) 262-6978
 COMP-ANL\W02-107AWP

SERIES-1400 ALUMINUM CASEMENT WDW. (N.I.)
AWP WINDOWS & DOORS, LLC
 8130 N.W. 74TH AVE.
 MEDLEY, FL. 33166
 TEL. (305) 887-2646 FAX (305) 883-1309

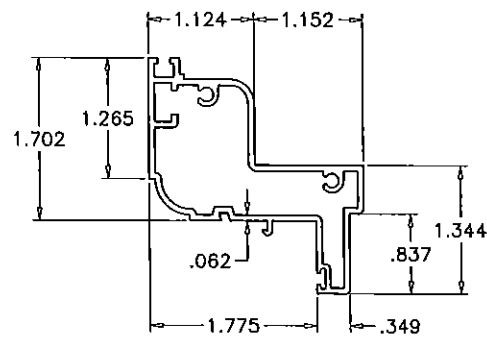
NO	DATE	DESCRIPTION
C	02.18.09	UPDATED FOR 2007 FBC
D	09.02.10	MANUF. NAME REVISED
E	12.23.11	MANUF. NAME REVISED
F	11.04.14	GENERAL REVISION
G	06.22.15	NO CHANGE THIS SHEET

date: 10-30-02
 scale: 1/2" = 1"
 dr. by: HAMID
 chk. by:

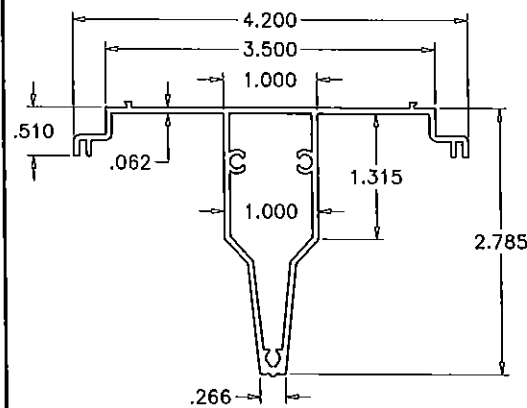
drawing no.
W02-107
 sheet 4 of 6



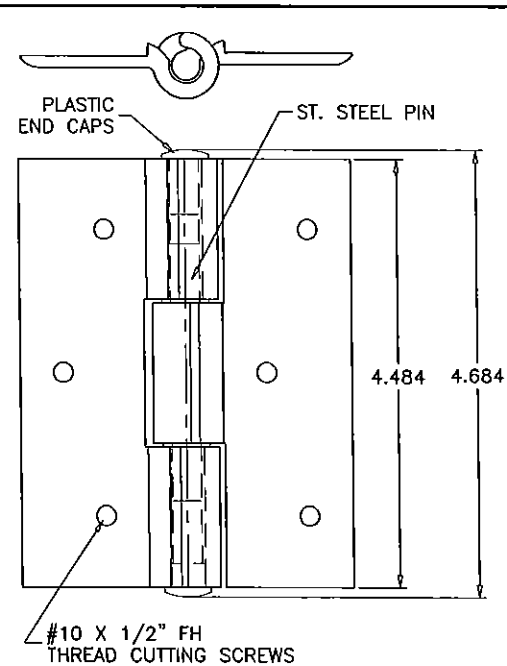
① FRAME



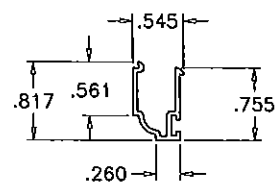
② VENT



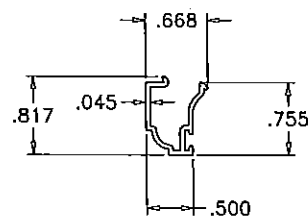
③ IMPOST



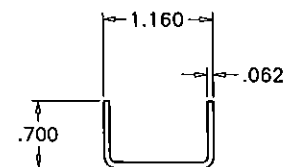
BUTT HINGE



④ GLAZING BEAD (MONOLITHIC GLASS)



④A GLAZING BEAD (INSULATED GLASS)



SHEAR CLIP ALUMINUM (6063-T5 OR 3003-H14)

ITEM	PART #	QUANTITY	DESCRIPTION	MATERIAL	MANF./SUPPLIER/REMARKS
1	YE-1401	4	FRAME	6063-T6	-
2	YE-1402	4	VENT	6063-T6	-
3	YE-1404	1	CENTER POST	6063-T6	-
4	YE-1403	AS REQD.	GLAZING BEAD (MONOLITHIC GLASS)	6063-T6	-
4A	YE-1405	AS REQD.	GLAZING BEAD (INSULATED GLASS)	6063-T6	-
5	YF-10	AS REQD.	FRAME AND VENT ASSEMBLY SCREWS	-	#8 X 1" PH SMS
6	YH-1409	AS REQD.	FRAME WEATHERSTRIPPING	VINYL	SULLIVAN
6A	F101	AS REQD.	FRAME WEATHERSTRIPPING	VINYL	ULTRAFAB
7	YH-1470	AS REQD.	VENT WEATHERSTRIPPING	VINYL	ULTRAFAB
8	31858/31862	2/	VENT	STEEL	TRUTH, ATTACHED W/ (4) #8 X 1/2" FH SMS
8A	YH-650	3/	VENT	-	ATTACHED W/ (6) #10 X 1/2" FH SCREWS
9	YH-1420	2/	VENT	STEEL	FACE MOUNT LOCK, AT 18" FROM BOTTOM & 17" FROM TOP
10	CS-400-SS	2/	VENT	STEEL	LOCK KEEPER, AT FRAME JAMB FACING LOCK
11	51.00.XX.011	1/	VENT	STEEL	ROTO OPERATOR, AT 11" FROM END
12	YH-1411	1/	VENT	-	FRAME CORNER KEY
13	YH-1408	1/	VENT	-	VENT CORNER KEY
14	F201	AS REQD.	VENT	VINYL	GLAZING GASKET
14A	YH-624	AS REQD.	VENT	VINYL	GLAZING GASKET
15	-	2/	VENT	EPDM	SETTING BLOCK

SEALANTS:

ALL JOINTS AND FRAME CONNECTIONS SEALED WITH SILICONE OR ACRYLIC SEALANT.

PRODUCT REVISED
as complying with the Florida
Building Code
Acceptance No. 15-0129.14
Expiration Date 21/23 12/18
By *Manuel Jery*
Miami Dade Product Control

Engr: JAVAD AHMAD
CIVIL
FLA. PE # 70592
C.A.N. 3538
JUN 23 2015

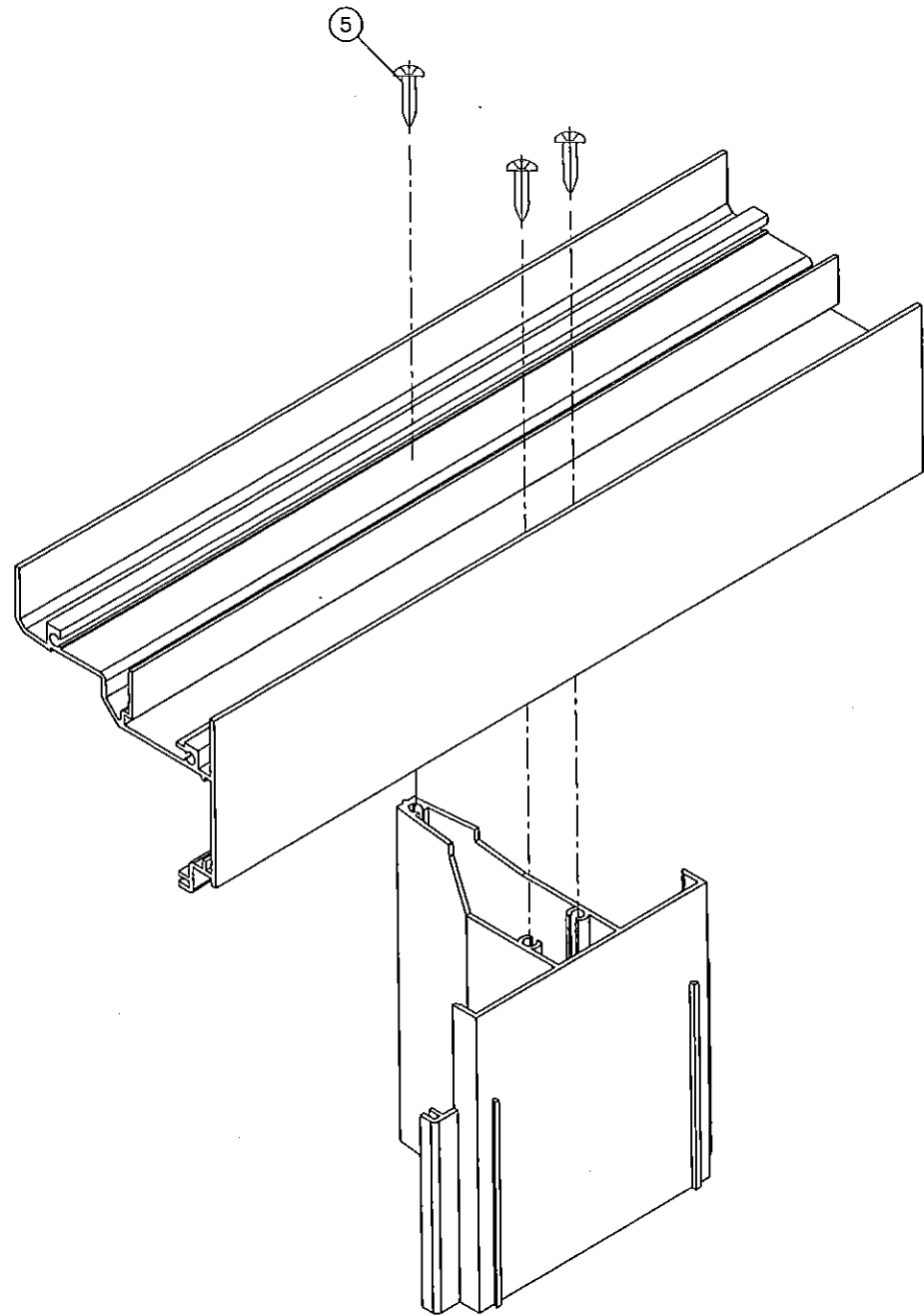
af c
AL-FAROOQ CORPORATION
ENGINEERS & PRODUCT DEVELOPMENT
1235 S.W. 87 AVE
MIAMI, FLORIDA 33174
TEL (305) 264-8100 FAX (305) 262-6978
COMP-ANL W02-107AWP

SERIES-1400 ALUMINUM CASEMENT WDW. (N.I.)
AWP WINDOWS & DOORS, LLC
8130 N.W. 74TH AVE.
MEDLEY, FL. 33166
TEL (305) 887-2646 FAX (305) 883-1309

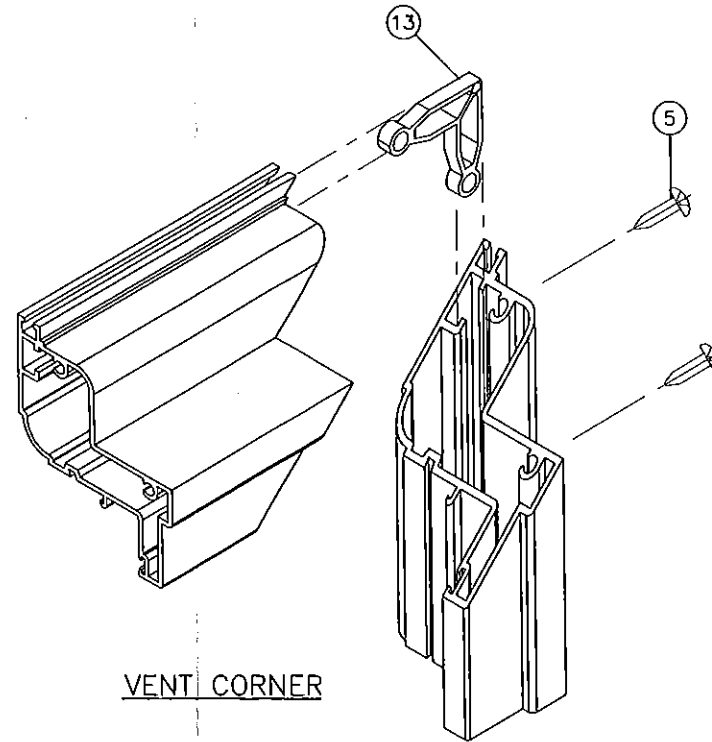
NO	DATE	BY	DESCRIPTION
C	02.18.09		UPDATED FOR 2007 FBC
D	09.02.10		MANUF. NAME REVISED
E	12.23.11		MANUF. NAME REVISED
F	11.04.14		GENERAL REVISION
G	06.22.15		NO CHANGE THIS SHEET

date: 10-30-02
scale: 1/2" = 1"
dr. by: HAMID
chk. by:

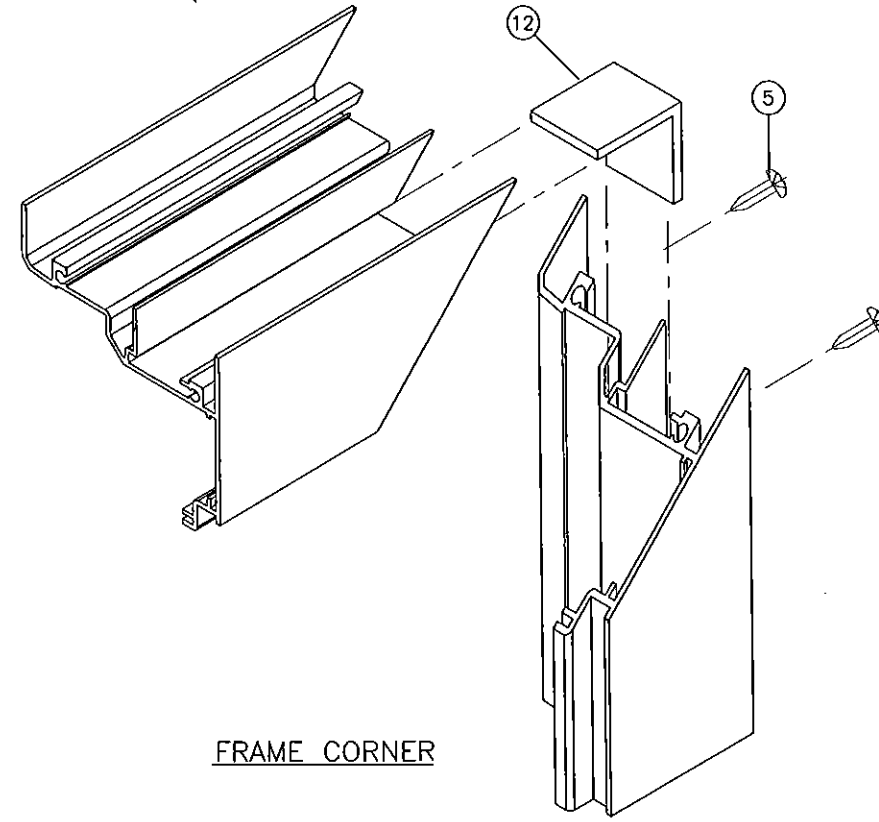
drawing no.
W02-107
sheet 5 of 6



IMPOST COPING



VENT CORNER



FRAME CORNER

PRODUCT REVISED
 as complying with the Florida
 Building Code
 Acceptance No. 15-0129.14
 Expiration Date 01/23/26.18
 By *Manuel Perez*
 Miami/Dade Product Control

Engr: JAVAD AHMAD
 CIVIL
 FLA. PE # 70592
 C.A.N. 3568
 JUN 23 2015

afc
AL-FAROOQ CORPORATION
 ENGINEERS & PRODUCT DEVELOPMENT
 1235 S.W. 87 AVE
 MIAMI, FLORIDA 33174
 TEL. (305) 264-8100 FAX. (305) 262-6978
 COMP-ANL\W02-107AWP

SERIES-1400 ALUMINUM CASEMENT WDW. (N.I.)
AWP WINDOWS & DOORS, LLC
 8130 N.W. 74TH AVE.
 MEDLEY, FL. 33166
 TEL. (305) 887-2646 FAX (305) 883-1309

no	date	by	description
C	02.18.09		UPDATED FOR 2007 FBC
D	09.02.10		MANUF. NAME REVISED
E	12.23.11		MANUF. NAME REVISED
F	11.04.14		GENERAL REVISION
G	06.22.15		NO CHANGE THIS SHEET

date: 10-30-02
 scale: 1/2" = 1"
 dr. by: HAMID
 chk. by:

drawing no.
W02-107

sheet 6 of 6