



DEPARTMENT OF REGULATORY AND ECONOMIC RESOURCES (RER)  
BOARD AND CODE ADMINISTRATION DIVISION

MIAMI-DADE COUNTY  
PRODUCT CONTROL SECTION  
11805 SW 26 Street, Room 208  
T (786) 315-2590 F (786) 315-2599  
[www.miamidade.gov/economy](http://www.miamidade.gov/economy)

**NOTICE OF ACCEPTANCE (NOA)**

**AWP Windows and Doors, LLC**  
8130 NW 74<sup>th</sup> Avenue  
Medley, FL 33166

**SCOPE:**

This NOA is being issued under the applicable rules and regulations governing the use of construction materials. The documentation submitted has been reviewed and accepted by Miami-Dade County RER - Product Control Section to be used in Miami Dade County and other areas where allowed by the Authority Having Jurisdiction (AHJ).

This NOA shall not be valid after the expiration date stated below. The Miami-Dade County Product Control Section (In Miami-Dade County) and/or the AHJ (in areas other than Miami-Dade County) reserve the right to have this product or material tested for quality assurance purposes. If this product or material fails to perform in the accepted manner, the manufacturer will incur the expense of such testing and the AHJ may immediately revoke, modify, or suspend the use of such product or material within their jurisdiction. RER reserves the right to revoke this acceptance, if it is determined by Miami-Dade County Product Control Section that this product or material fails to meet the requirements of the applicable building code.

This product is approved as described herein, and has been designed to comply with the Florida Building Code, including the High Velocity Hurricane Zone.-

**DESCRIPTION: Series "1700 Impact View" Aluminum Single Hung Window - L.M.I.**

**APPROVAL DOCUMENT:** Drawing No. **W03-105**, titled "Series-1700 Impact View Alum Single Hung Wdw.", sheets 1 through 6 of 6, dated 11/19/03, with revision I dated 05/24/15, prepared by Al-Farooq Corporation, signed and sealed by Javad Ahmad, P.E., bearing the Miami-Dade County Product Control Revision stamp with the Notice of Acceptance number and expiration date by the Miami-Dade County Product Control Section.

**MISSILE IMPACT RATING: Large and Small Missile Impact Resistant**

**LABELING:** Each unit shall bear a permanent label with the manufacturer's name or logo, city, state, model/series, and following statement: "Miami-Dade County Product Control Approved", unless otherwise noted herein.

**RENEWAL** of this NOA shall be considered after a renewal application has been filed and there has been no change in the applicable building code negatively affecting the performance of this product.

**TERMINATION** of this NOA will occur after the expiration date or if there has been a revision or change in the materials, use, and/or manufacture of the product or process. Misuse of this NOA as an endorsement of any product, for sales, advertising or any other purposes shall automatically terminate this NOA. Failure to comply with any section of this NOA shall be cause for termination and removal of NOA.

**ADVERTISEMENT:** The NOA number preceded by the words Miami-Dade County, Florida, and followed by the expiration date may be displayed in advertising literature. If any portion of the NOA is displayed, then it shall be done in its entirety.

**INSPECTION:** A copy of this entire NOA shall be provided to the user by the manufacturer or its distributors and shall be available for inspection at the job site at the request of the Building Official.

This NOA revises NOA# 13-0430.09 and consists of this page 1 and evidence pages E-1 and E-2, as well as approval document mentioned above.

The submitted documentation was reviewed by **Manuel Perez, P.E.**



*MP*  
6/30/15

NOA No. 15-0130.03  
Expiration Date: April 29, 2019  
Approval Date: July 09 2015  
Page 1

NOTICE OF ACCEPTANCE: EVIDENCE SUBMITTED

**A. DRAWINGS**

1. Manufacturer's die drawings and sections.
2. Drawing No **W03-105**, titled "Series-1700 Impact View Alum Single Hung Wdw.", sheets 1 through 6 of 6, dated 11/19/03, with revision I dated 05/24/15, prepared by Al-Farooq Corporation, signed and sealed by Javad Ahmad, P.E.

**B. TESTS**

1. Test reports on: 1) Air Infiltration Test, per FBC, TAS 202-94  
2) Uniform Static Air Pressure Test, Loading per FBC TAS 202-94  
3) Water Resistance Test, per FBC, TAS 202-94  
4) Large Missile Impact Test per FBC, TAS 201-94  
5) Cyclic Wind Pressure Loading per FBC, TAS 203-94  
6) Forced Entry Test, per FBC 2411 3.2.1, TAS 202-94  
along with marked-up drawings and installation diagram of a series 1700 impact view aluminum single hung window, prepared by Fenestration Testing Laboratory, Inc., Test Report No. **FTL-8413**, dated 06/15/15, signed and sealed by Idalmis Ortega, P.E.
2. Test reports on: 1) Air Infiltration Test, per FBC, TAS 202-94  
2) Uniform Static Air Pressure Test, Loading per FBC TAS 202-94  
3) Water Resistance Test, per FBC, TAS 202-94  
4) Large Missile Impact Test per FBC, TAS 201-94  
5) Cyclic Wind Pressure Loading per FBC, TAS 203-94  
6) Forced Entry Test, per FBC 2411 3.2.1, TAS 202-94  
along with marked-up drawings and installation diagram of a series 1700 impact view aluminum single hung window, prepared by Fenestration Testing Laboratory, Inc., Test Report No. **FTL-3822**, dated 07/10/03, signed and sealed by Joseph C. Chan, P.E.  
*(Submitted under NOA# 05-0311.01)*
3. Test reports on: 1) Air Infiltration Test, per FBC, TAS 202-94  
2) Uniform Static Air Pressure Test, Loading per FBC TAS 202-94  
3) Water Resistance Test, per FBC, TAS 202-94  
4) Large Missile Impact Test per FBC, TAS 201-94  
5) Cyclic Wind Pressure Loading per FBC, TAS 203-94  
6) Forced Entry Test, per FBC 2411 3.2.1, TAS 202-94  
along with marked-up drawings and installation diagram aluminum horizontal sliding window, OXO configuration, prepared by Fenestration Testing Laboratory, Inc., Test Report No. **FTL-4332**, dated 12/09/04, signed and sealed by Edmundo Largaespada, P.E. *(For Reference Only - to qualify glass types C & D).*  
*(Submitted under NOA# 05-0311.01)*

  
Manuel Perez, P.E.  
Product Control Examiner  
NOA No. 15-0130.03

Expiration Date: April 29, 2019

Approval Date: July 09 2015

**AWP Windows and Doors, LLC**

**NOTICE OF ACCEPTANCE: EVIDENCE SUBMITTED**

**C. CALCULATIONS**

1. Anchor verification calculations and structural analysis, complying with **FBC-5<sup>th</sup> Edition (2014)**, dated 06/19/15, prepared by Al-Farooq Corporation, signed and sealed by Javad Ahmad, P.E.
2. Glazing complies with **ASTM E1300-09**

**D. QUALITY ASSURANCE**

1. Miami-Dade Department of Regulatory and Economic Resources (RER).

**E. MATERIAL CERTIFICATIONS**

1. Notice of Acceptance No. **14-0423.17** issued to **Eastman Chemical Company (MA)** for their "**Saflex Clear and Color Glass Interlayers**" dated 06/19/14, expiring on 05/21/16.
2. Notice of Acceptance No. **14-0916.10** issued to **Kuraray America, Inc.** for their "**Kuraray Butacite® PVB Glass Interlayer**" dated 04/25/15, expiring on 12/11/16.

**F. STATEMENTS**

1. Statement letter of conformance, complying with **FBC-5<sup>th</sup> Edition (2014)**, and of no financial interest, dated June 22, 2015, issued by Al-Farooq Corporation, signed and sealed by Javad Ahmad, P.E.
2. Proposal No. **14-0777** issued by the Product Control Section, dated September 8, 2014, signed by Manuel Perez, P.E.
3. Asset purchase agreement dated March 20, 2014, signed by Mr. Paul Schmitz, Chief Executive Officer and President, Trulite Intermediate Holding, LLC and Mr. Tim Moris, Jr., President and C.F.O., AWP Windows and Doors, LLC.
4. Letter from owners of existing NOA stating that they have sold all assets to the applicant, that they no longer manufacture the product and relinquish their rights to the current NOA, dated April 20, 2015, signed by Mr. Kevin Barrett, Chief Financial Officer, Trulite Window & Door Solutions, LLC.
5. Statement letter for Name Change Request dated July 15, 2014, issued by AWP Windows and Doors, LLC, signed by Gerardo Beros, Director of Engineering.

**G. OTHERS**

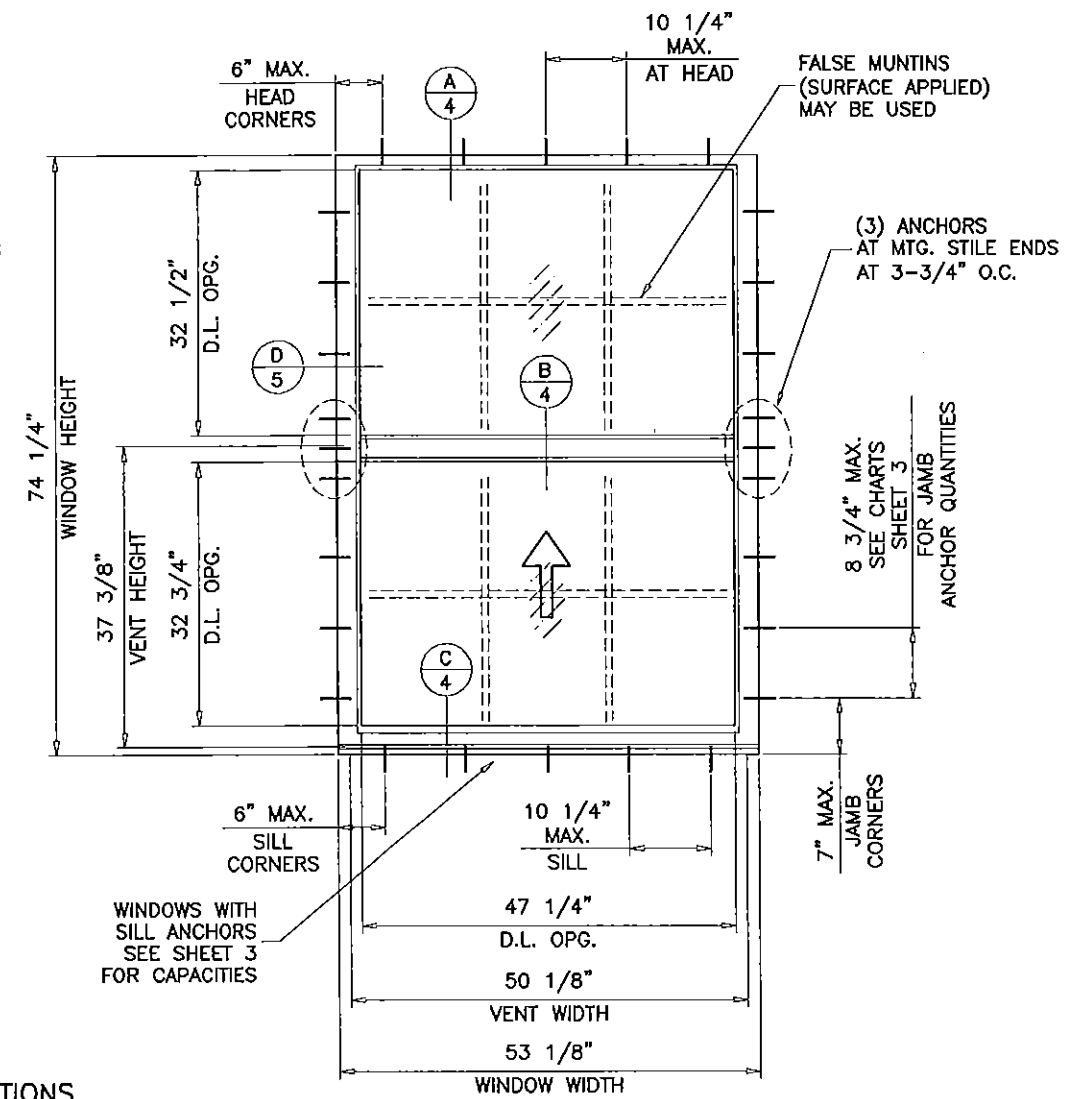
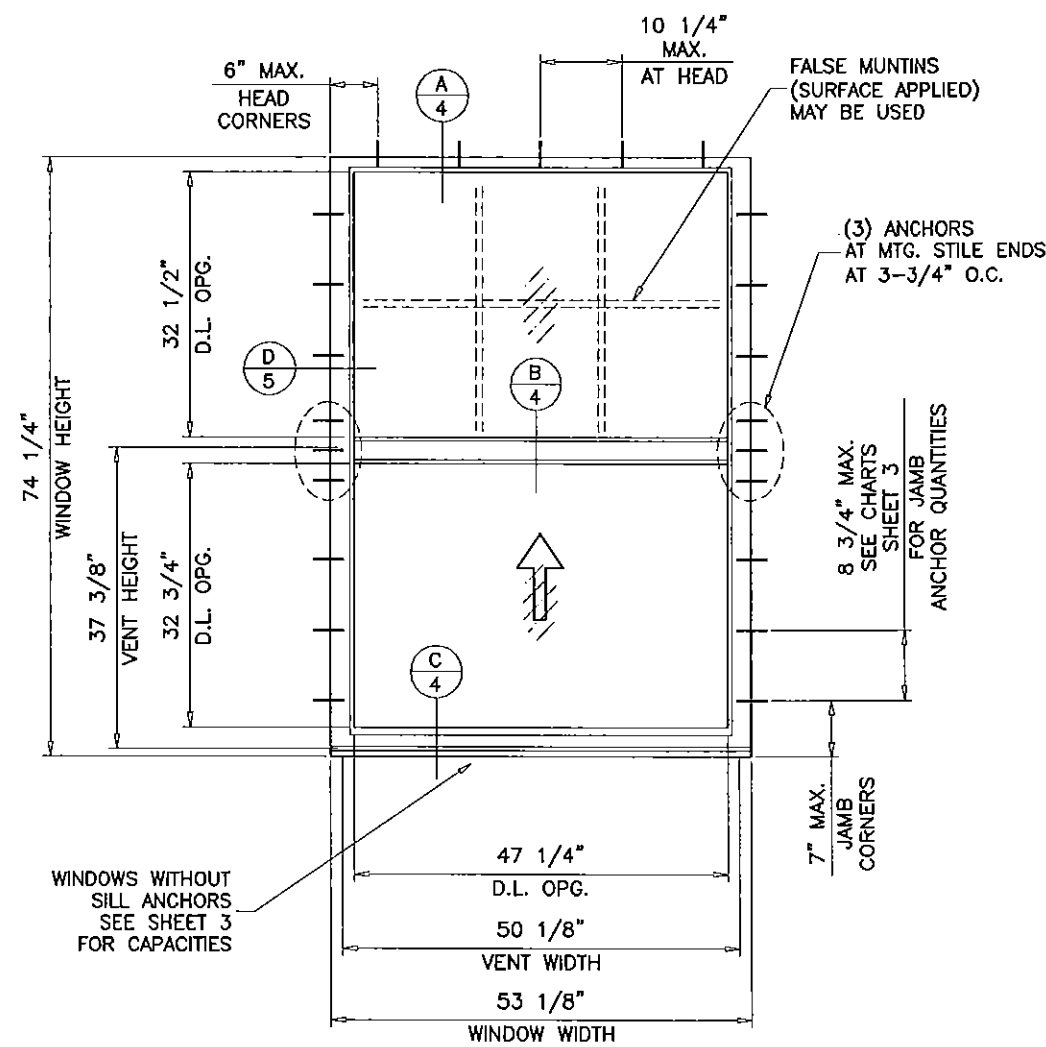
1. Notice of Acceptance No. **13-0430.09**, issued to Trulite Window & Door Solutions, LLC for their Series "1700 Impact View" Aluminum Single Hung Window – L.M.I., approved on 08/01/13 and expiring on 04/29/19.

  
Manuel Perez, P.E.

Product Control Examiner  
NOA No. 15-0130.03

Expiration Date: April 29, 2019

Approval Date: July 09 2015



TYPICAL ELEVATIONS

**SERIES-1700 IMPACT VIEW  
ALUMINUM SINGLE HUNG WINDOW**

DESIGN LOAD RATINGS FOR THESE WINDOWS TO BE AS PER CHARTS SHOWN ON SHEET 3.

APPROVAL APPLIES TO SINGLE UNITS OR SIDE BY SIDE COMBINATIONS OF S.H./S.H. OR SINGLE HUNG WITH OTHER MIAMI-DADE COUNTY APPROVED WINDOWS USING MIAMI-DADE COUNTY APPROVED MULLIONS IN BETWEEN. LOWER DESIGN PRESSURE FROM WINDOWS OR MULLION APPROVAL WILL APPLY TO ENTIRE SYSTEM.

THIS PRODUCT HAS BEEN DESIGNED AND TESTED TO COMPLY WITH THE REQUIREMENTS OF THE FLORIDA BUILDING CODE INCLUDING HIGH VELOCITY HURRICANE ZONE (HVHZ).

WOOD BUCKS BY OTHERS, MUST BE ANCHORED PROPERLY TO TRANSFER LOADS TO THE STRUCTURE.

ANCHORS SHALL BE AS LISTED, SPACED AS SHOWN ON DETAILS, ANCHORS EMBEDMENT TO BASE MATERIAL SHALL BE BEYOND WALL DRESSING OR STUCCO.

ANCHORING OR LOADING CONDITIONS NOT SHOWN IN THESE DETAILS ARE NOT PART OF THIS APPROVAL.

A LOAD DURATION INCREASE IS USED IN DESIGN OF ANCHORS INTO WOOD ONLY.

ALL SHIMS TO BE HIGH IMPACT, NON-METALLIC AND NON-COMPRESSIBLE.

MATERIALS INCLUDING BUT NOT LIMITED TO STEEL/METAL SCREWS, THAT COME INTO CONTACT WITH OTHER DISSIMILAR MATERIALS SHALL MEET THE REQUIREMENTS OF THE FLORIDA BUILDING CODE.

THESE WINDOWS ARE RATED FOR LARGE & SMALL MISSILE IMPACT. SHUTTERS ARE NOT REQUIRED.

Engr: JAVAD AHMAD  
CML  
FLA. PE # 70592  
C.A.N. 3538  
JUN 24 2015

PRODUCT REVISED  
as complying with the Florida  
Building Code  
Acceptance No. 15-0130.03  
Expiration Date April 29, 2019  
By *Manuel Sire*  
Miami Dade Product Control

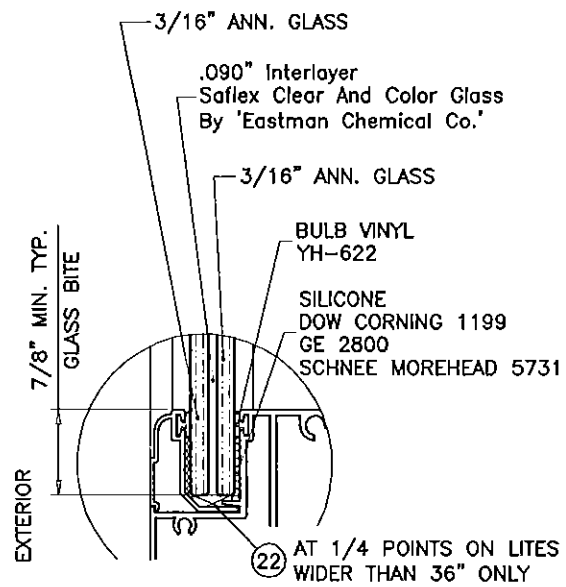
**af c**  
**AL-FAROOQ CORPORATION**  
ENGINEERS & PRODUCT DEVELOPMENT  
1235 S.W. 87 AVE  
MIAMI, FLORIDA 33174  
TEL. (305) 264-8100 FAX (305) 262-6978  
COMP-ANL\W03-105YO

SERIES-1700 IMPACT VIEW ALUM SINGLE HUNG WDW.  
**AWP WINDOWS AND DOORS, LLC**  
8130 N.W. 74TH AVE.  
MEDLEY, FL. 33166  
TEL. (305) 887-2646 FAX (305) 883-1309

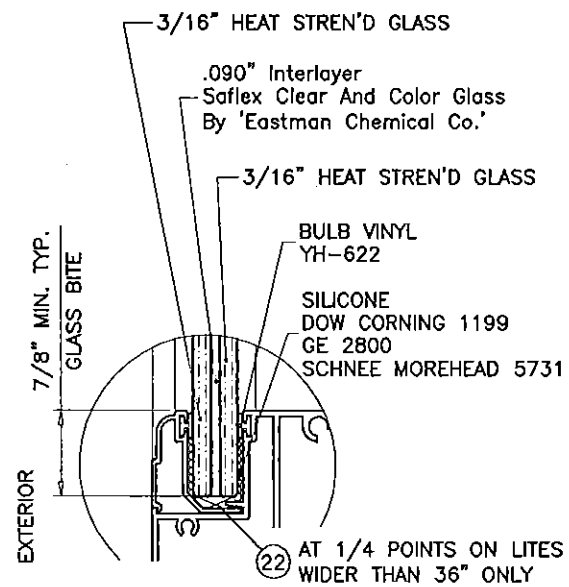
NO	DATE	BY	DESCRIPTION
E	11.19.08		UPDATED FOR 2007 FBC
F	03.24.09		NO CHANGE THIS SHEET
G	09.02.10		MANUF. NAME REVISED
H	12.23.11		UPDATED TO 2010 FBC. NAME REV
I	05.24.15		GENERAL REV.

date: 11-19-03  
scale: 1/2"=1'-0"  
dr. by: HAMID  
chk. by:

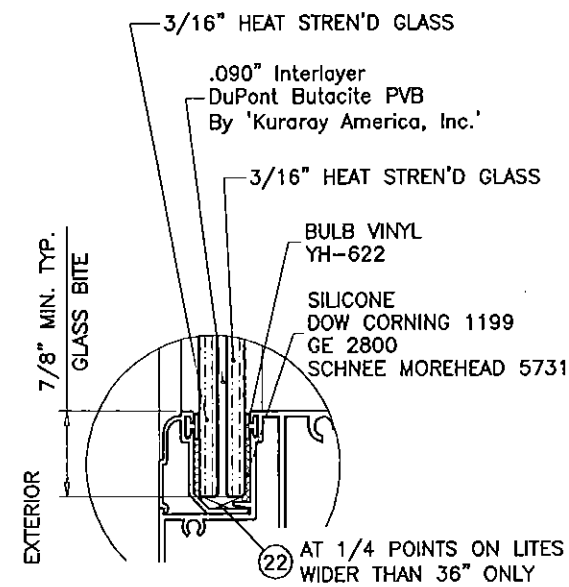
drawing no.  
**W03-105**  
sheet 1 of 6



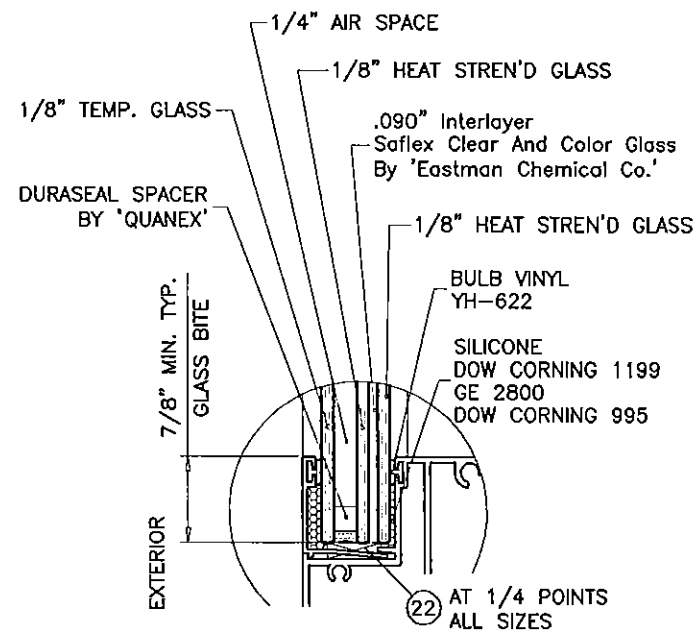
GLASS TYPE 'A'



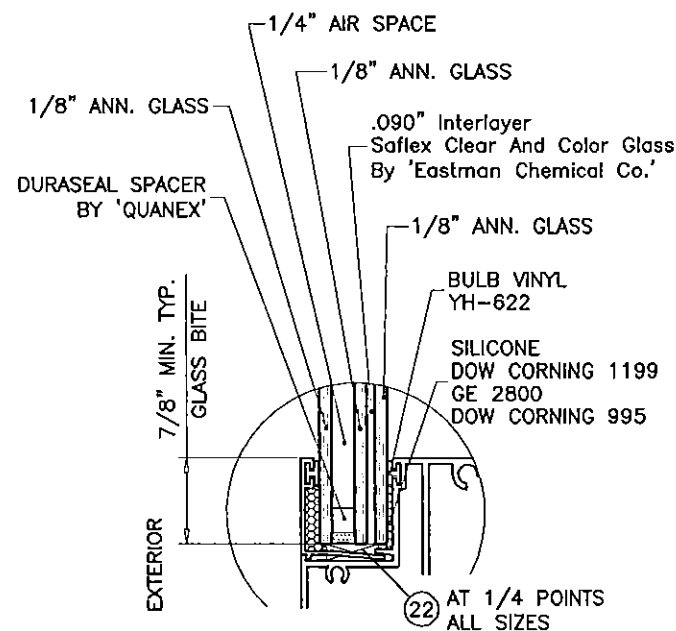
GLASS TYPE 'C'



GLASS TYPE 'D'



GLASS TYPE 'E'



GLASS TYPE 'F'

GLAZING OPTIONS

(S.M.I.)  
EXTERIOR PLY OF GLASS TYPE 'F' MUST BE TEMPERED TO QUALIFY FOR SMALL MISSILE IMPACT RATING.

Engr: JAVAD AHMAD  
CIVIL  
FLA. PE # 70592  
C.A.N. 3538  
JUN 24 2015

PRODUCT REVISED  
as complying with the Florida  
Building Code  
Acceptance No. 15-0130.03  
Expiration Date April 29, 2019  
By Manuel Perez  
Miami Dade Product Control

**af c**  
**AL-FAROOQ CORPORATION**  
ENGINEERS & PRODUCT DEVELOPMENT  
1235 S.W. 87 AVE  
MIAMI, FLORIDA 33174  
TEL (305) 264-8100 FAX (305) 262-6978  
COMP-ANL\W03-105YO

SERIES-1700 IMPACT VIEW ALUM SINGLE HUNG WDW.  
**AWP WINDOWS AND DOORS, LLC**  
8130 N.W. 74TH AVE.  
MEDLEY, FL. 33166  
TEL (305) 887-2646 FAX (305) 883-1309

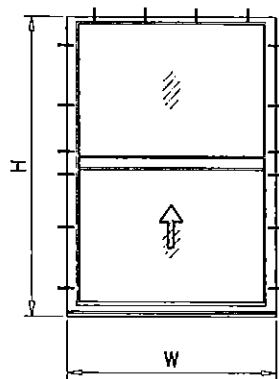
NO	DATE	BY	DESCRIPTION
E	11.19.08		NOTE REV.
F	03.24.09		REV. PER BCCO COMMENTS
G	09.02.10		MANUF. NAME REVISED
H	12.23.11		MANUF. NAME REVISED
I	05.24.15		GENERAL REV.

date: 11-19-03  
scale: 1/2" = 1"  
dr. by: HAMID  
chk. by:

drawing no.  
**W03-105**  
sheet 2 of 6

EQUAL LITES WINDOWS DESIGN LOAD CAPACITY - PSF					
WINDOW DIMS.		GLASS TYPES 'A', 'C', 'D' OR 'E'		GLASS TYPE 'F'	
WIDTH	HEIGHT	EXT.(+)	INT.(-)	EXT.(+)	INT.(-)
19-1/8"	26" (4)	90.0	140.0	75.0	75.0
26-1/2"		90.0	140.0	75.0	75.0
32"		90.0	140.0	75.0	75.0
37"		90.0	140.0	75.0	75.0
42"		90.0	140.0	75.0	75.0
48"		90.0	140.0	75.0	75.0
53-1/8"		90.0	134.9	75.0	75.0
19-1/8"	38-3/8" (5)	90.0	140.0	75.0	75.0
26-1/2"		90.0	140.0	75.0	75.0
32"		90.0	140.0	75.0	75.0
37"		90.0	140.0	75.0	75.0
42"		90.0	140.0	75.0	75.0
48"		90.0	126.5	75.0	75.0
53-1/8"	90.0	114.3	75.0	75.0	
19-1/8"	50-5/8" (7)	90.0	140.0	75.0	75.0
26-1/2"		90.0	140.0	75.0	75.0
32"		90.0	140.0	75.0	75.0
37"		90.0	140.0	75.0	75.0
42"		90.0	140.0	75.0	75.0
48"	90.0	129.1	75.0	75.0	
53-1/8"	90.0	112.7	75.0	75.0	
19-1/8"	63" (9)	90.0	140.0	75.0	75.0
26-1/2"		90.0	140.0	75.0	75.0
32"		90.0	140.0	75.0	75.0
37"		90.0	140.0	75.0	75.0
42"		90.0	139.7	75.0	75.0
48"	90.0	113.7	75.0	75.0	
53-1/8"	90.0	98.1	75.0	75.0	
19-1/8"	74-1/4" (9)	90.0	140.0	75.0	75.0
26-1/2"		90.0	140.0	75.0	75.0
32"		90.0	140.0	75.0	75.0
37"		90.0	140.0	75.0	75.0
42"		90.0	132.7	75.0	75.0
48"		90.0	105.7	75.0	75.0
53-1/8"	90.0	90.0	75.0	75.0	

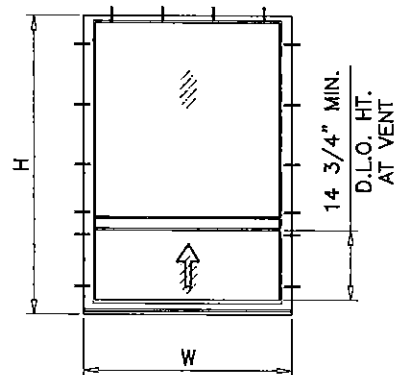
\* NO. IN PARENTHESIS INDICATE NO. OF ANCHORS PER JAMB.



WINDOWS WITHOUT SILL ANCHORS

UNEQUAL LITES WINDOWS DESIGN LOAD CAPACITY - PSF					
WINDOW DIMS.		GLASS TYPES 'A', 'C', 'D' OR 'E'		GLASS TYPE 'F'	
WIDTH	HEIGHT	EXT.(+)	INT.(-)	EXT.(+)	INT.(-)
19-1/8"	50-5/8" (7)	90.0	140.0	75.0	75.0
26-1/2"		90.0	140.0	75.0	75.0
32"		90.0	140.0	75.0	75.0
37"		90.0	140.0	75.0	75.0
42"		90.0	140.0	75.0	75.0
48"		90.0	131.8	75.0	75.0
53-1/8"		90.0	114.8	75.0	75.0
19-1/8"	63" (9)	90.0	140.0	75.0	75.0
26-1/2"		90.0	140.0	75.0	75.0
32"		90.0	140.0	75.0	75.0
37"		90.0	140.0	75.0	75.0
42"	90.0	140.0	75.0	75.0	
19-1/8"	74-1/4" (9)	90.0	140.0	75.0	75.0
26-1/2"		90.0	140.0	75.0	75.0
32"		90.0	140.0	75.0	75.0

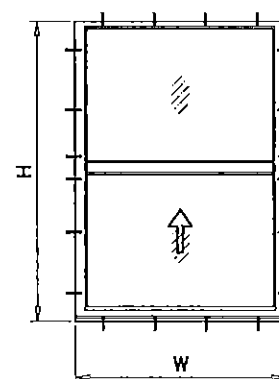
\* NO. IN PARENTHESIS INDICATE NO. OF ANCHORS PER JAMB.



WINDOWS WITH SILL ANCHORS

EQUAL LITES WINDOWS DESIGN LOAD CAPACITY - PSF					
WINDOW DIMS.		GLASS TYPES 'A', 'C', 'D' OR 'E'		GLASS TYPE 'F'	
WIDTH	HEIGHT	EXT.(+)	INT.(-)	EXT.(+)	INT.(-)
19-1/8"	26" (4)	90.0	140.0	75.0	75.0
26-1/2"		90.0	140.0	75.0	75.0
32"		90.0	140.0	75.0	75.0
37"		90.0	140.0	75.0	75.0
42"		90.0	140.0	75.0	75.0
48"		90.0	140.0	75.0	75.0
53-1/8"		90.0	140.0	75.0	75.0
19-1/8"	38-3/8" (5)	90.0	140.0	75.0	75.0
26-1/2"		90.0	140.0	75.0	75.0
32"		90.0	140.0	75.0	75.0
37"		90.0	140.0	75.0	75.0
42"		90.0	140.0	75.0	75.0
48"		90.0	140.0	75.0	75.0
53-1/8"	90.0	138.3	75.0	75.0	
19-1/8"	50-5/8" (7)	90.0	140.0	75.0	75.0
26-1/2"		90.0	140.0	75.0	75.0
32"		90.0	140.0	75.0	75.0
37"		90.0	140.0	75.0	75.0
42"		90.0	140.0	75.0	75.0
48"	90.0	129.1	75.0	75.0	
53-1/8"	90.0	112.7	75.0	75.0	
19-1/8"	63" (9)	90.0	140.0	75.0	75.0
26-1/2"		90.0	140.0	75.0	75.0
32"		90.0	140.0	75.0	75.0
37"		90.0	140.0	75.0	75.0
42"		90.0	139.7	75.0	75.0
48"	90.0	113.7	75.0	75.0	
53-1/8"	90.0	98.1	75.0	75.0	
19-1/8"	74-1/4" (9)	90.0	140.0	75.0	75.0
26-1/2"		90.0	140.0	75.0	75.0
32"		90.0	140.0	75.0	75.0
37"		90.0	140.0	75.0	75.0
42"		90.0	132.7	75.0	75.0
48"		90.0	105.7	75.0	75.0
53-1/8"	90.0	90.0	75.0	75.0	

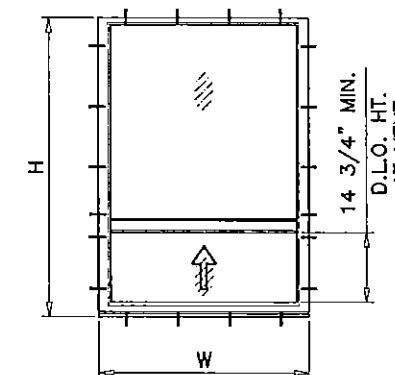
\* NO. IN PARENTHESIS INDICATE NO. OF ANCHORS PER JAMB.



WINDOWS WITH SILL ANCHORS

UNEQUAL LITES WINDOWS DESIGN LOAD CAPACITY - PSF					
WINDOW DIMS.		GLASS TYPES 'A', 'C', 'D' OR 'E'		GLASS TYPE 'F'	
WIDTH	HEIGHT	EXT.(+)	INT.(-)	EXT.(+)	INT.(-)
19-1/8"	50-5/8" (7)	90.0	140.0	75.0	75.0
26-1/2"		90.0	140.0	75.0	75.0
32"		90.0	140.0	75.0	75.0
37"		90.0	140.0	75.0	75.0
42"		90.0	140.0	75.0	75.0
48"		90.0	131.8	75.0	75.0
53-1/8"		90.0	114.8	75.0	75.0
19-1/8"	63" (9)	90.0	140.0	75.0	75.0
26-1/2"		90.0	140.0	75.0	75.0
32"		90.0	140.0	75.0	75.0
37"		90.0	140.0	75.0	75.0
42"	90.0	140.0	75.0	75.0	
19-1/8"	74-1/4" (9)	90.0	140.0	75.0	75.0
26-1/2"		90.0	140.0	75.0	75.0
32"		90.0	140.0	75.0	75.0

\* NO. IN PARENTHESIS INDICATE NO. OF ANCHORS PER JAMB.



WINDOWS WITH SILL ANCHORS

NOTE:  
GLASS CAPACITIES ON THIS SHEET ARE  
BASED ON ASTM E1300-09 (3 SEC. GUSTS)  
AND FLORIDA BUILDING COMMISSION  
DECLARATORY STATEMENT DCA05-DEC-219

Engr: JAVAD AHMAD  
CIVIL  
FLA. PE # 70592  
C.A.N. 3538

JUN 24 2015

PRODUCT REVISED  
as complying with the Florida  
Building Code  
Acceptance No. 15-0130.03  
Expiration Date April 29, 2019

By *Manuel Perez*  
Miami Dade Product Control

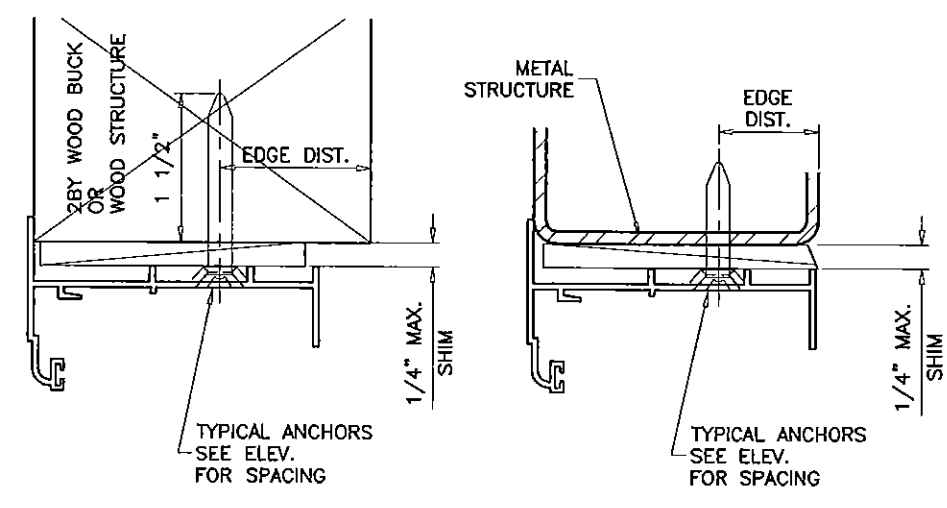
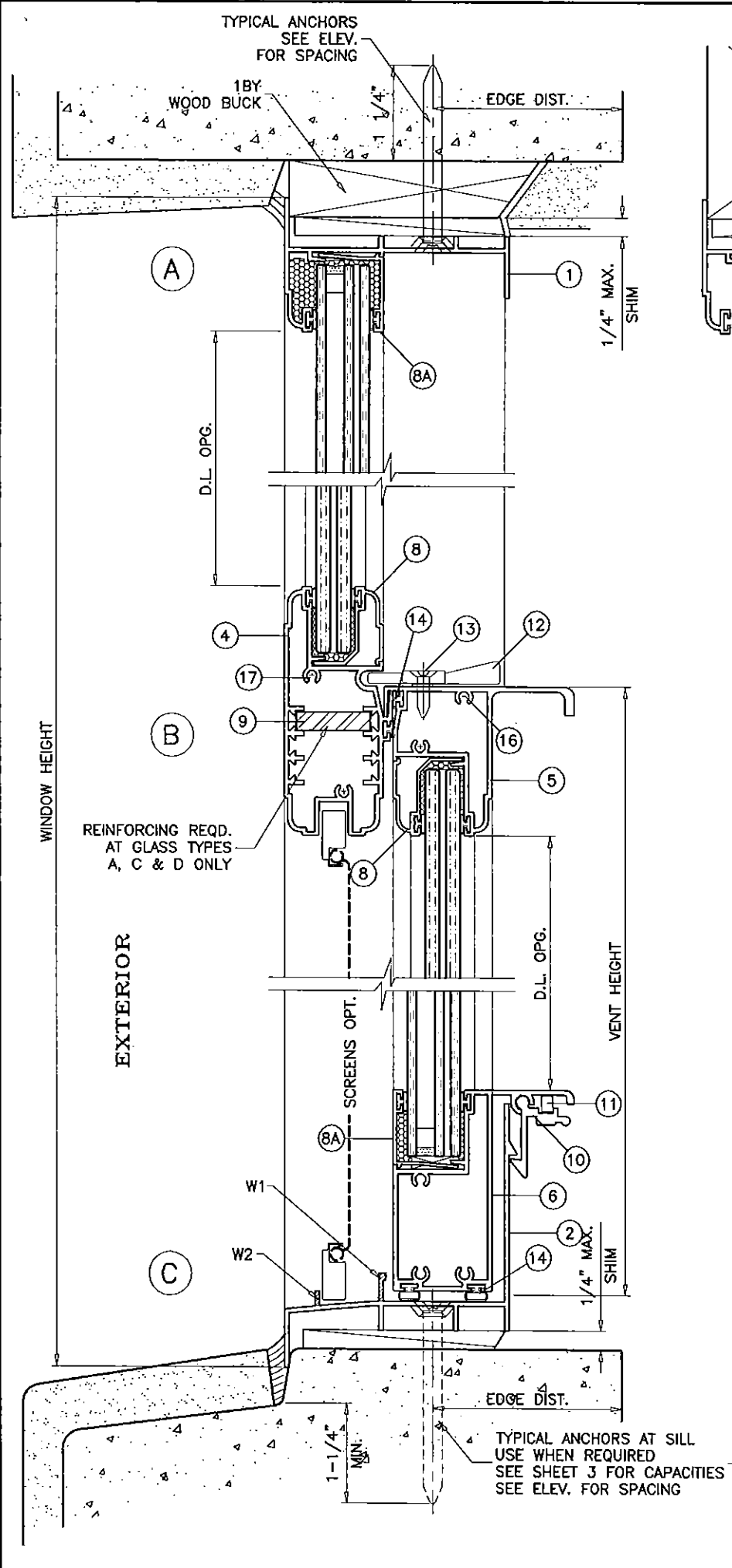
**afC**  
**AL-FAROOQ CORPORATION**  
ENGINEERS & PRODUCT DEVELOPMENT  
1235 S.W. 87 AVE  
MIAMI, FLORIDA 33174  
TEL. (305) 264-8100 FAX. (305) 262-6978  
COMP-ANL\W03-105YO

SERIES-1700 IMPACT VIEW ALUM SINGLE HUNG WDW.  
**AWP WINDOWS AND DOORS, LLC**  
8130 N.W. 74TH AVE.  
MEDLEY, FL. 33166  
TEL. (305) 887-2646 FAX (305) 883-1309

NO.	DATE	DESCRIPTION
E	11.19.08	NOTE REV.
F	03.24.09	NO. CHANGE THIS SHEET
G	09.02.10	MANUF. NAME REVISED
H	12.23.11	MANUF. NAME REVISED
I	05.24.15	GENERAL REV.

date: 11-19-03  
scale: 1/2" = 1"  
dr. by: HAMID  
chk. by:

drawing no.  
**W03-105**  
sheet 3 of 6



WOOD BUCKS AND METAL STRUCTURE NOT BY AWP WINDOWS MUST SUSTAIN LOADS IMPOSED BY GLAZING SYSTEM AND TRANSFER THEM TO THE BUILDING STRUCTURE.

**TYPICAL ANCHORS:** SEE ELEV. FOR SPACING

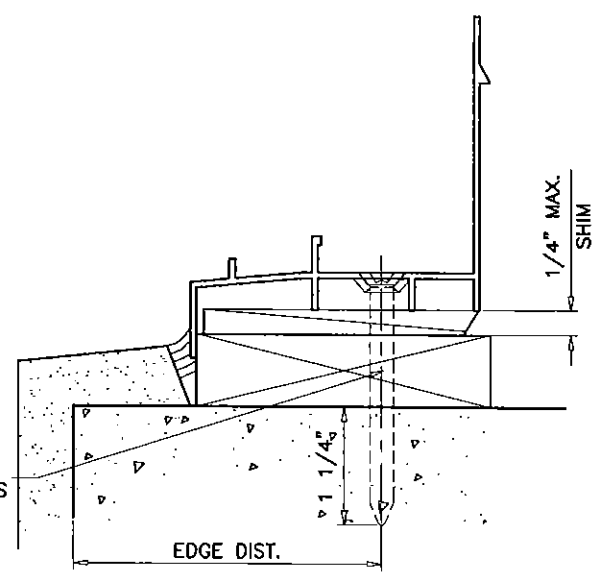
1/4" DIA. ULTRACON BY 'ELCO' (Fu=177 KSI, Fy=155 KSI)  
 INTO 2BY WOOD BUCKS OR WOOD STRUCTURES  
 1-1/2" MIN. PENETRATION INTO WOOD (HEAD/SILL/JAMBS)  
 THRU 1BY BUCKS INTO CONC. OR MASONRY  
 1-1/4" MIN. EMBED INTO CONCRETE (HEAD/SILL)  
 1-1/4" MIN. EMBED INTO CONC. OR MASONRY (JAMBS)  
 DIRECTLY INTO CONC. OR MASONRY  
 1-1/4" MIN. EMBED INTO CONCRETE (HEAD/SILL)  
 1-1/4" MIN. EMBED INTO CONC. OR MASONRY (JAMBS)

1/4" DIA. TEKS OR SELF DRILLING SCREWS (GRADE 5 CRS)  
 INTO METAL STRUCTURES  
 STEEL : 1/8" THK. MIN. (Fy = 36 KSI MIN.)  
 ALUMINUM : 1/8" THK. MIN. (6063-T5 MIN.)  
 (STEEL IN CONTACT WITH ALUMINUM TO BE PLATED OR PAINTED)

#12 SMS OR SELF DRILLING SCREWS (GRADE 2 CRS)  
 INTO MIAMI-DADE COUNTY APPROVED MULLIONS (MIN. THK. = 1/8")  
 (NO SHIM SPACE)

**TYPICAL EDGE DISTANCE**  
 INTO CONCRETE AND MASONRY = 2-1/2" MIN.  
 INTO WOOD STRUCTURE = 1" MIN.  
 INTO METAL STRUCTURE = 3/4" MIN.

WOOD AT HEAD, SILL OR JAMBS SG = 0.55 MIN.  
 CONCRETE AT HEAD, SILL OR JAMBS f'c = 3000 PSI MIN.  
 C-90 HOLLOW/FILLED BLOCK AT JAMBS f'm = 2000 PSI MIN.



**SEALANTS:**  
 FRAME AND VENT CORNERS AND INSTALLATION SCREWS AT SILL SEALED WITH WHITE/ALUMINUM COLORED SEALANT.

**WEEPHOLES:**  
 W1 = 1/2" WEEP NOTCH AT EACH END  
 W2 = 3/4" WEEP NOTCH AT EACH END

Engr: JAVAD AHMAD  
 CML  
 FLA. PE # 70592  
 C.A.N. 3538

JUN 24 2015

PRODUCT REVISED  
 as complying with the Florida  
 Building Code  
 Acceptance No 15-0130.03  
 Expiration Date Apr 29, 2019

By *Manuel Perez*  
 Miami Dade Product Control

**af c**

**AL-FAROOQ CORPORATION**  
 ENGINEERS & PRODUCT DEVELOPMENT  
 1235 S.W. 87 AVE  
 MIAMI, FLORIDA 33174  
 TEL. (305) 264-8100 FAX. (305) 262-6978  
 COMP-ANL\W03-105YO

SERIES-1700 IMPACT VIEW ALUM SINGLE HUNG WDW.

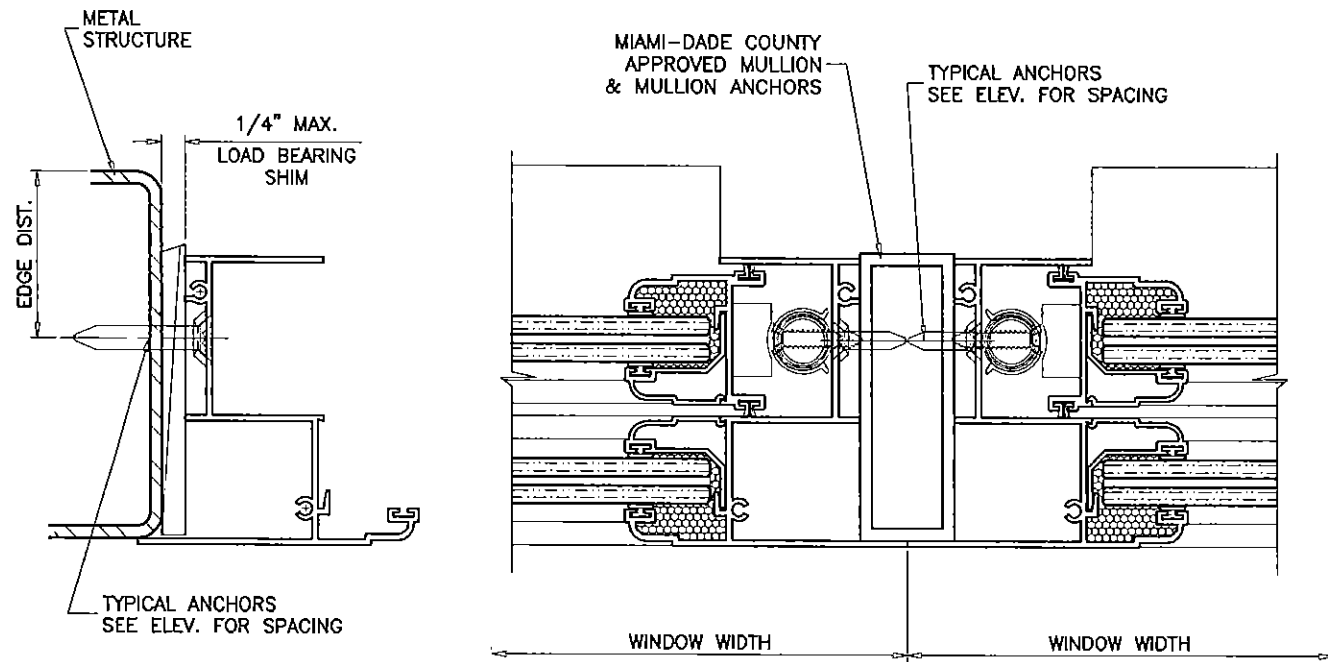
**AWP WINDOWS AND DOORS, LLC**  
 8130 N.W. 74TH AVE.  
 MEDLEY, FL. 33166  
 TEL. (305) 887-2646 FAX (305) 863-1309

no	date	description	by
E	11.19.08	NO CHANGE THIS SHEET	
F	03.24.09	NO CHANGE THIS SHEET	
G	09.02.10	MANUF. NAME REVISED	
H	12.23.11	MANUF. NAME REVISED	
I	05.24.15	GENERAL REV.	

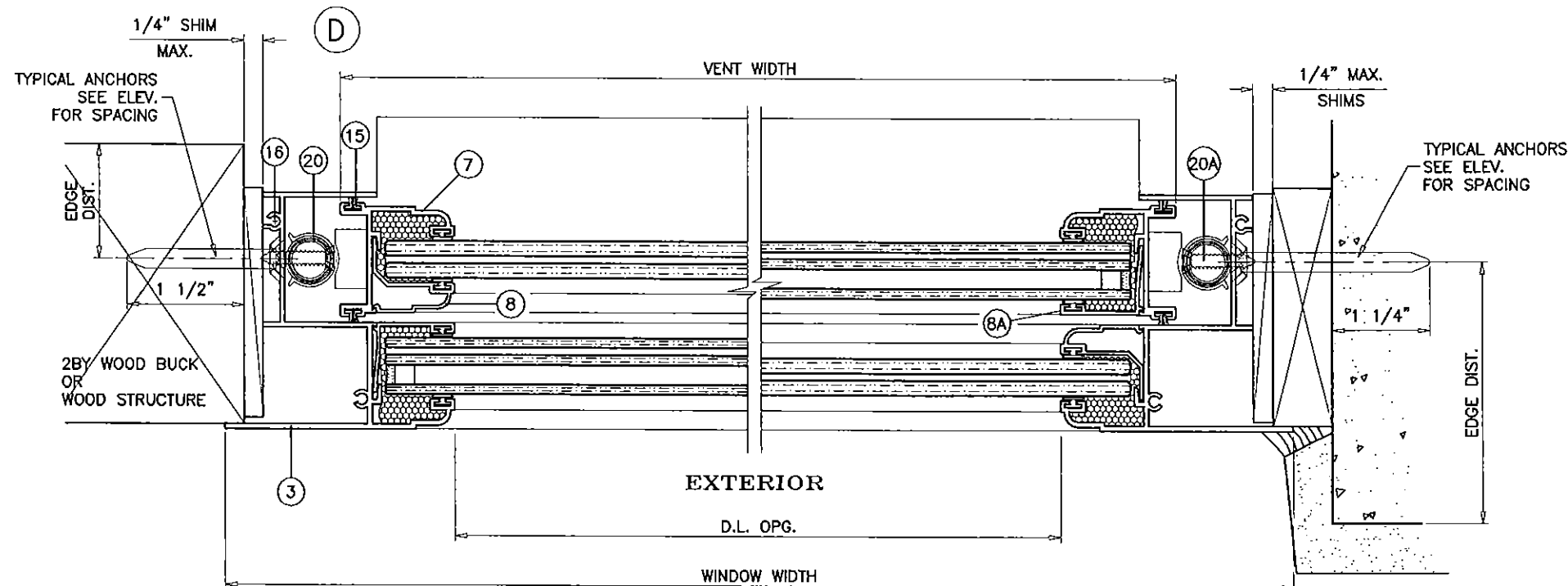
revisions:

date: 11-19-03  
 scale: 1/2" = 1"  
 dr. by: HAMID  
 chk. by:

drawing no. **W03-105**  
 sheet 4 of 6



ITEM #	PART #	REQD.	DESCRIPTION	MATERIAL	MANF./SUPPLIER/REMARKS
1	YE-1700	1	FRAME HEAD	6063-T6	-
2	YE-1701	1	FRAME SILL	6063-T6	-
3	YE-1702	2	FRAME JAMB	6063-T6	-
4	YE-1703	1	FIXED MTG. RAIL	6063-T5	-
5	YE-1704	1	VENT TOP RAIL	6063-T5	-
6	YE-1705	1	VENT BOTTOM RAIL	6063-T5	-
7	YE-1706	2	VENT SIDE RAIL	6063-T5	-
8	YE-1707	AS RQD.	GLAZING BEAD (LAM. GLASS)	6063-T5	-
8A	AWP-YE-1617	AS RQD.	GLAZING BEAD (INSUL. LAM. GLASS)	6063-T5	-
9	YH-1607	2	REINFORCING BARS, FULL LENGTH	STEEL	1/4" X 1"
10	YE-1710	2/VENT	VENT LATCH @ 9" FROM ENDS	6063-T5	-
11	-	2	LATCH SPRING	-	-
12	YH-715	2/ VENT	CAM LOCK @ 9" FROM EACH END	-	-
13	YF-62	2/ LATCH	CAM LOCK SCREWS	-	#8 X 5/8" OH SMS
14	YH-622	AS REQD.	BULB PILE W'STRIPPING	-	SULLIVAN & SULLIVAN
15	YH-6009	AS REQD.	FIN SEAL W'STRIPPING	-	ULTRAFAB
16	YF-10	AS REQD.	FRAME/VENT ASSEMBLY SCREWS	-	#8 X 1" P.H. SMS
17	-	AS REQD.	FIX. MTG. RAIL ASSEMBLY SCREWS	-	#10 X 1" P.H. SMS
18	-	4	VENT GUIDE	RIGID PVC	2 AT EACH JAMB RAIL
19	-	1/ GUIDE	GUIDE SCREWS	-	#6 X 1/2" FH SMS
20	-	2/VENT	'ULTRALIFT' SPIRAL BALANCE	-	CALDWELL
20A	-	1	BALANCE FASTENER	-	#8 X 1" PH SMS
21	-	2	OPEN CELL FOAM PAD (1" X 1/2" X 1-1/2")	-	YALE
22	-	AS REQD.	SETTING BLOCKS	EPDM	DUROMETER 80±5 SHORE A



Engr: JAVAD AHMAD  
CML  
FLA. PE # 70592  
C.A.N. 3538

JUN 24 2015

PRODUCT REVISED  
as complying with the Florida  
Building Code  
Acceptance No 15-0130.03  
Expiration Date April 29, 2019

By *Manuel Perez*  
Miami Dade Product Control

**af c**

**AL-FAROOQ CORPORATION**  
ENGINEERS & PRODUCT DEVELOPMENT  
1235 S.W. 87 AVE  
MIAMI, FLORIDA 33174  
TEL. (305) 264-9100 FAX. (305) 262-6978  
COMP-ANL\W03-105YO

SERIES-1700 IMPACT VIEW ALUM SINGLE HUNG WDW.

**AWP WINDOWS AND DOORS, LLC**  
8130 N.W. 74TH AVE.  
MEDLEY, FL. 33166  
TEL. (305) 887-2646 FAX (305) 883-1309

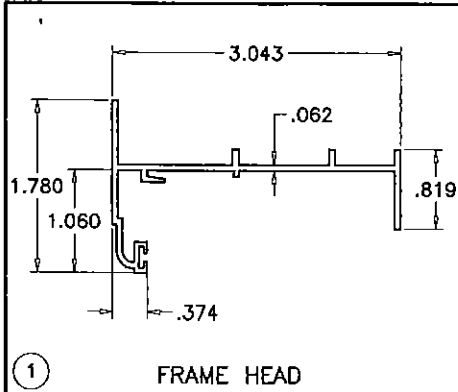
revisions:	no	date	by	description
	E	11.19.08		NO CHANGE THIS SHEET
	F	03.24.09		NO CHANGE THIS SHEET
	G	09.02.10		MANUF. NAME REVISED
	H	12.23.11		MANUF. NAME REVISED
	I	05.24.15		GENERAL REV.

date: 11-19-03  
scale: 1/2" = 1"  
dr. by: HAMID  
chk. by:

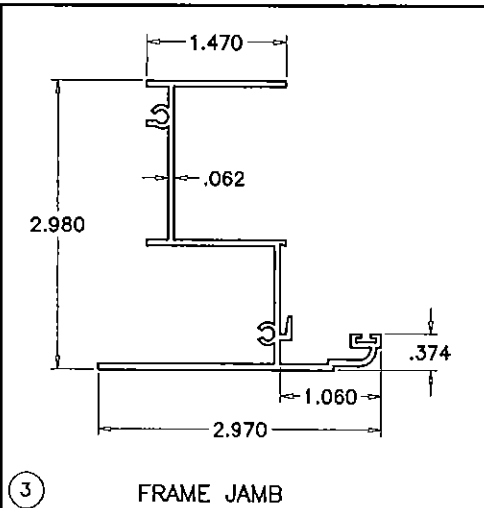
drawing no.  
**W03-105**

sheet 5 of 6

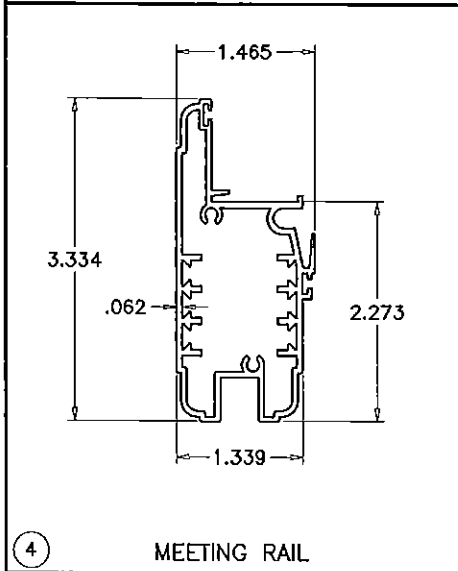




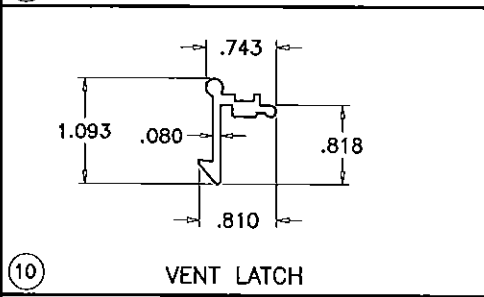
1 FRAME HEAD



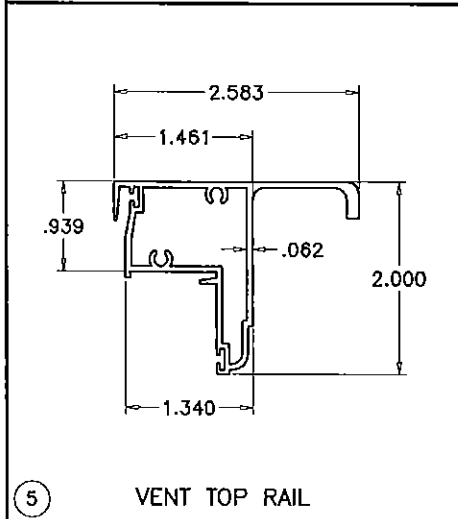
3 FRAME JAMB



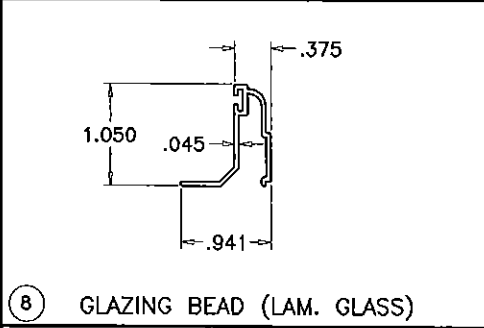
4 MEETING RAIL



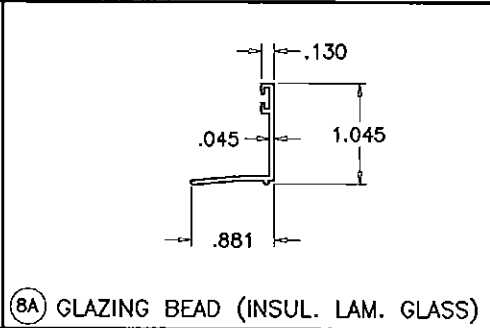
10 VENT LATCH



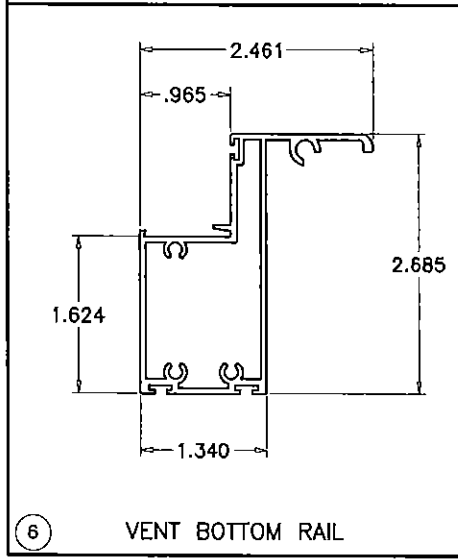
5 VENT TOP RAIL



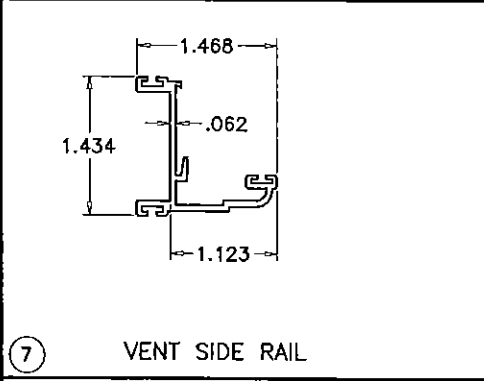
8 GLAZING BEAD (LAM. GLASS)



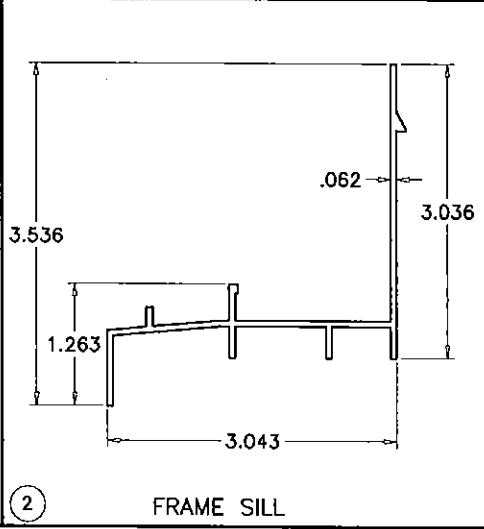
8A GLAZING BEAD (INSUL. LAM. GLASS)



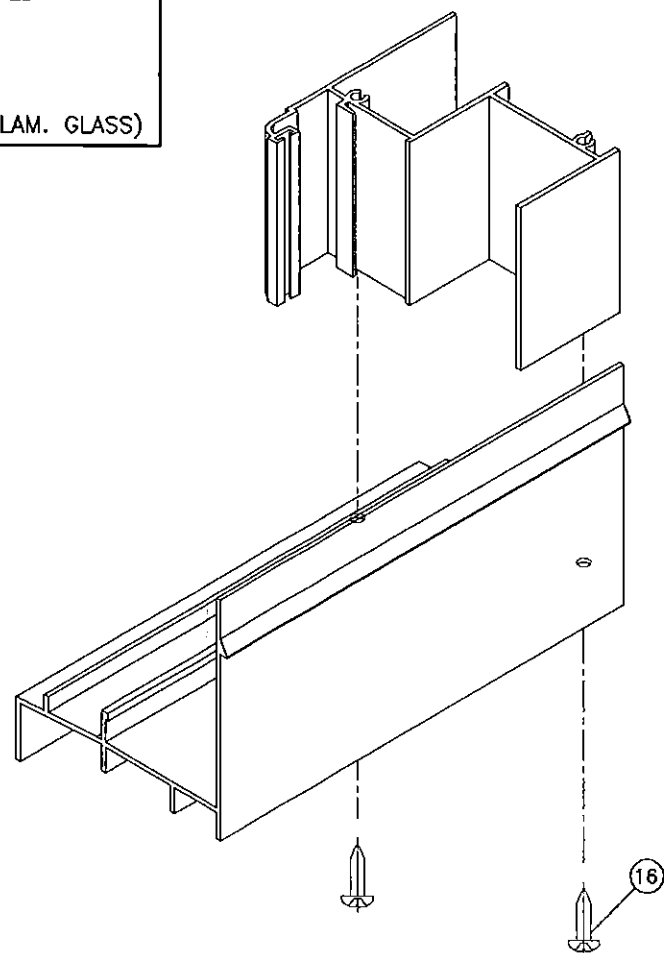
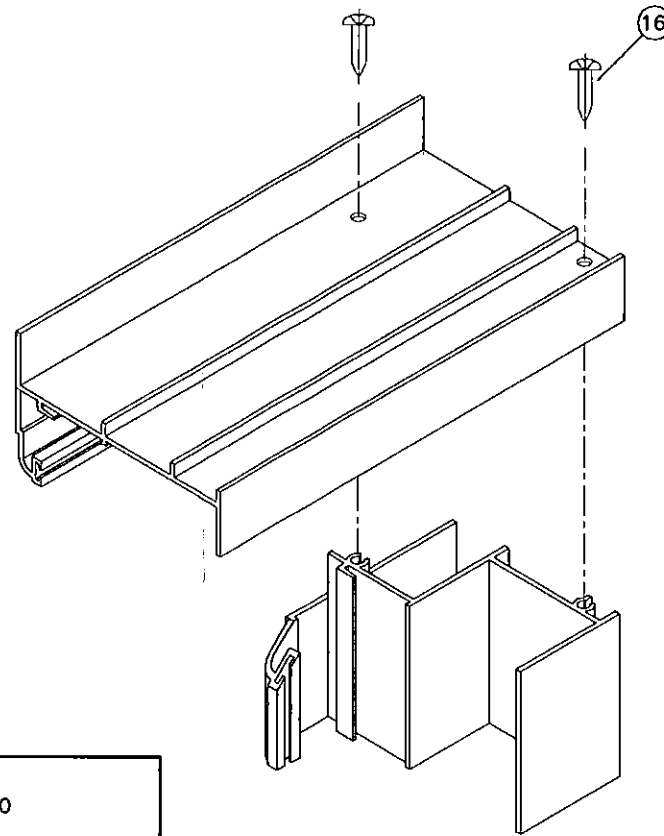
6 VENT BOTTOM RAIL



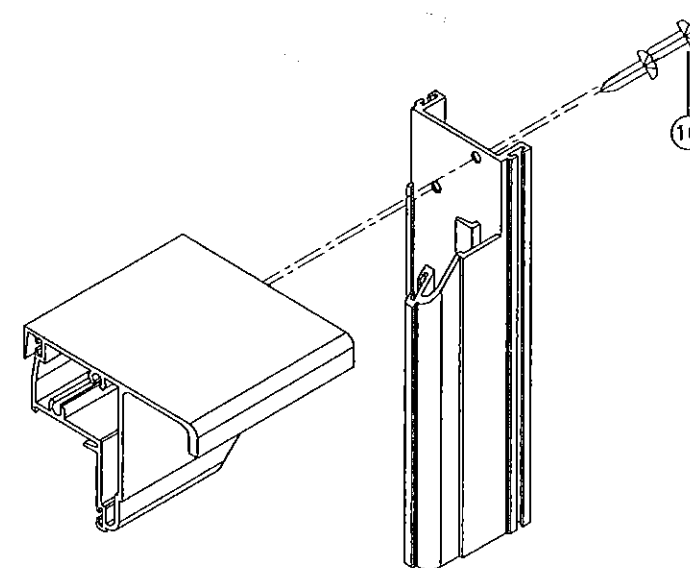
7 VENT SIDE RAIL



2 FRAME SILL



VENT CORNER DETAIL



FRAME CORNERS DETAIL

Engr: JAVAD AHMAD  
CML  
FLA. PE # 70592  
C.A.N. 3538  
JUN 24 2015

PRODUCT REVISED  
as complying with the Florida  
Building Code  
Acceptance No 15-0130.03  
Expiration Date April 29, 2019  
By Manuel Ferrer  
Miami Dade Product Control

**afc**  
**AL-FAROOQ CORPORATION**  
ENGINEERS & PRODUCT DEVELOPMENT  
1235 S.W. 87 AVE  
MIAMI, FLORIDA 33174  
TEL (305) 264-8100 FAX (305) 262-6978  
COMP--ANL\W03-105YO

SERIES-1700 IMPACT VIEW ALUM SINGLE HUNG MDW.  
**AWP WINDOWS AND DOORS, LLC**  
8130 N.W. 74TH AVE.  
MEDLEY, FL. 33166  
TEL (305) 887-2646 FAX (305) 883-1309

NO	DATE	BY	DESCRIPTION
E	11.19.08		NO CHANGE THIS SHEET
F	03.24.09		NO CHANGE THIS SHEET
G	09.02.10		MANUF. NAME REVISED
H	12.23.11		MANUF. NAME REVISED
I	05.24.15		GENERAL REV.

date: 11-19-03  
scale: 1/2" = 1"  
dr. by: HAMID  
chk. by:  
drawing no. W03-105  
sheet 6 of 6