



MIAMI-DADE COUNTY
 PRODUCT CONTROL SECTION
 11805 SW 26 Street, Room 208
 Miami, Florida 33175-2474
 T (786) 315-2590 F (786) 315-2599
www.miamidade.gov/economy

DEPARTMENT OF REGULATORY AND ECONOMIC RESOURCES (RER)
 BOARD AND CODE ADMINISTRATION DIVISION
NOTICE OF ACCEPTANCE (NOA)

Stanley Security Solutions Inc.,
 6161 East 75th Street
 Indianapolis, IN 46250

SCOPE:

This NOA is being issued under the applicable rules and regulations governing the use of construction materials. The documentation submitted has been reviewed and accepted by Miami-Dade County BNC -Product Control Section to be used in Miami Dade County and other areas where allowed by the Authority Having Jurisdiction (AHJ).

This NOA shall not be valid after the expiration date stated below. The Miami-Dade County Product Control Section (In Miami Dade County) and/or the AHJ (in areas other than Miami Dade County) reserve the right to have this product or material tested for quality assurance purposes. If this product or material fails to perform in the accepted manner, the manufacturer will incur the expense of such testing and the AHJ may immediately revoke, modify, or suspend the use of such product or material within their jurisdiction. BNC reserves the right to revoke this acceptance, if it is determined by Miami-Dade County Product Control Section that this product or material fails to meet the requirements of the applicable building code.

This product is approved as described herein, and has been designed to comply with the Florida Building Code, including the High Velocity Hurricane Zone.

DESCRIPTION: Series 40H Mortise Lockset w/ wo Dead bolt (Hardware -Component Approval)

APPROVAL DOCUMENT: Drawing No. "SSS005" Rev B, titled "Series 45H, 47H, 48H & 49H Mortise Lock set w/wo Deadbolts", sheets 1 through 6 of 6, prepared by Building Drops Inc., dated 09/04/12 and last revised on 08-12-15, signed and sealed by Hermes F. Norero, P.E., bearing the Miami-Dade County Product Control Revision stamp with the Notice of Acceptance number and expiration date by the Miami-Dade County Product Control Section.

MISSILE IMPACT RATING: Large and Small Missile Impact

Limitations:

1. This Lock component is approved to be used as an alternate hardware in an approved single or double Steel doors, having current NOA (Notice of Acceptance).
2. Series 45H/47H Mortise locks with/without Dead bolt in Single door are rated = 60 PSF, Series 45H/47H Mortise locks w/wo Dead bolt in Pair Doors application are rated = 35 PSF and Series 48H/49H Mortise Dead locks are rated = 40.5 PSF for both Single or Pair doors application. See details in sheets 4, 5 & 6.
3. Lowest design pressure of this component or Doors (under separate approval) may control.
4. Electrical device installation is not part of this approval, such installation to be reviewed by AHJ.

LABELING: Each unit shall bear a permanent label with the manufacturer's name or logo, city, state and Series and following statement: "Miami-Dade County Product Control Approved", unless otherwise noted herein.

RENEWAL of this NOA shall be considered after a renewal application has been filed and there has been no change in the applicable building code negatively affecting the performance of this product.

TERMINATION of this NOA will occur after the expiration date or if there has been a revision or change in the materials, use, and/or manufacture of the product or process. Misuse of this NOA as an endorsement of any product, for sales, advertising or any other purposes shall automatically terminate this NOA. Failure to comply with any section of this NOA shall be cause for termination and removal of NOA.

ADVERTISEMENT: The NOA number preceded by the words Miami-Dade County, Florida, and followed by the expiration date may be displayed in advertising literature. If any portion of the NOA is displayed, then it shall be done in its entirety.

INSPECTION: A copy of this entire NOA shall be provided to the user by the manufacturer or its distributors and shall be available for inspection at the job site at the request of the Building Official.

This NOA revises NOA #12-1002.35 and consists of this page 1 and evidence pages E-1, as well as approval document mentioned above.

The submitted documentation was reviewed by **Ishaq I. Chanda, P.E.**



NOA No. 15-0217.05
 Expiration Date: October 26, 2017
 Approval Date: October 29, 2015
 Page 1

10/23/15

NOTICE OF ACCEPTANCE: EVIDENCE SUBMITTED

A. DRAWINGS

1. Manufacturer's die drawings and sections (Submitted under files below)
2. Drawing No. "SSS005" Rev B, titled "Series 45H, 47H, 48H & 49H Mortise Lock set w/wo Deadbolts", sheets 1 through 6 of 6, prepared by Building Drops Inc., dated 08-12-2015, signed and sealed by Hermes F. Norero, P.E.

B. TESTS (Submitted under files#12-102.35/#11-0811.11)

1. Test reports on:
 - 1) Air Infiltration Test, per FBC, TAS 202-94
 - 2) Uniform Static Air Pressure Test, Loading per FBC TAS 202-94
 - 3) Water Resistance Test, per FBC, TAS 202-94
 - 4) Large Missile Impact Test per FBC, TAS 201-94
 - 5) Cyclic Wind Pressure Loading per FBC, TAS 203-94
 - 6) Forced Entry Test, per FBC 2411 3.2.1, TAS 202-94

along with marked-up drawings and installation diagram of outswing doors w/ Stanely Series 40H Mortise locks w/ wo deadbolts, prepared by Fenestration Testing Lab, Inc., Test Report No(s) **FTL- 4606 & FTL-4605**, dated June 21, 2005, signed and sealed by Edmundo Lagaespada, P. E. Original test per SFBC PA 201, 202 & 203-94, now known as FBC TAS 201, 202 & 203-94

2. Additional verification test of Stanley series 45H/48H in single & pair doors per TAS 201, 202 & 203-94, test report # G100561487MID-01, issued by Intertek Testing Inc. dated 07-26-12, signed & sealed by Rick Curkeet, P.E. (This test report has an addendum dated Jan 22, 2013, issued by Intertek Testing)

C. CALCULATIONS

1. Anchor verification calculations and structural analysis, complying with FBC-2014(5th Edition), prepared by Building Drops Inc., dated 08-12-2015, signed and sealed by Hermes F. Norero, P.E.

D. QUALITY ASSURANCE

1. Miami Dade Department of Regulatory and Economic Resources (RER).

E. MATERIAL CERTIFICATIONS

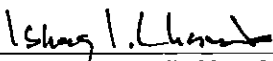
1. None.

F. STATEMENTS (Except item #1, other submitted under referenced files)

1. Statement letter of conformance to FBC 2014 (5th edition) and letter of no financial interest, prepared by Building Drops Inc., dated 08/03/15, signed and sealed by Hermes F. Norero, P.E.
2. Successor Engineer statement of adopting another Engineer's work per FL. Rule 61G15-27 dated 02-21-2013, signed and sealed by Hermes F. Norero, P.E.
3. Statement letter dated Jan 29, 2007 of Stanley Works acquired shares of Best Lock dba Best Access system, signed by Kara J. Dean, Council Stanley Access (submitted under NOA (s)# **11-0811.11 / #09-0209.06**)
4. Certificate of amendment of Best Lock to Stanley Security Solution Inc, issued by State of Indiana on Aug. 30, 2003(submitted under NOA (s)# **11-0811.11 / #09-0209.06**)
5. Test Lab compliance statement, part of above referenced test reports.

G. OTHER

1. This NOA revises NOA #12-102.35, expiring on OCT 26, 2017.
2. Test proposal # 11-0556, dated May 27, 2011 approved by BNC.


Ishaq I. Chanda, P.E.
Product Control Examiner
NOA No. 15-0217.05
Expiration Date: October 26, 2017
Approval Date: October 29, 2015

STANLEY SECURITY SOLUTIONS, INC.

SERIES 45H & 47H MORTISE LOCKSETS WITH/WITHOUT DEADLOCK AND 48H & 49H MORTISE DEADLOCKS (COMPONENT APPROVAL)

STANLEY
Security Solutions

6161 EAST 75TH STREET
INDIANAPOLIS, IN 46250
PH: (317) 806-3288
FX: (317) 806-3337

GENERAL NOTES:

- THIS PRODUCT HAS BEEN DESIGNED AND MANUFACTURED TO COMPLY WITH THE 5TH EDITION FLORIDA BUILDING CODE (FBC) INCLUDING PROVISIONS SET FORTH FOR HIGH-VELOCITY HURRICANE ZONES (HVHZ). THE PRODUCT IS RATED FOR LARGE AND SMALL MISSILE IMPACT AND HAS BEEN EVALUATED TO THE FOLLOWING TEST PROTOCOLS:
 - TAS 201-94
 - TAS 202-94
 - TAS 203-94
- STRIKES, HINGES, AND ALL APPLICABLE REINFORCEMENTS AS REQUIRED ON DETAIL DRAWING IN THIS APPROVAL.
- LOCKING HARDWARE SHALL BE INSTALLED AS PER MANUFACTURER'S INSTALLATION INSTRUCTIONS.
- ALL FASTENERS AND ASSOCIATED HARDWARE MUST BE MADE OF CORROSION RESISTANT MATERIAL OR HAVE A CORROSION RESISTANT COATING.
- STEEL COMPONENTS SHALL BE COATED OR COMPLY WITH CORROSION RESISTANCE PROTECTION IN CONFORMANCE WITH CHAPTER 22 OF THE FBC.
- QUALIFIED FUNCTION DESIGNATIONS FOR 45H OR 47H WITHOUT DEADBOLT: A, AT, D, R, RHB, LT, N, NX, C, CHB, INL, W, XR, XRHB, ZD
- QUALIFIED FUNCTION DESIGNATIONS FOR 45H OR 47 WITH DEADBOLT: AB, H, HJ, T, TA, TD, L, G, INA, S, AD, RD, YD, WD
- QUALIFIED STRIKE PLATE DESIGNATIONS: S1, S5, & S6.

LIMITATIONS OF USE:

- THE MORTISE LOCKSET COMPONENT APPROVAL IS TO BE USED AS AN EQUIVALENT ALTERNATE INTO SINGLE OR PAIR STEEL OUTSWING DOORS HAVING A SEPARATE, CURRENT NOA. THE LOWER DESIGN PRESSURE OF DOOR OR THE MORTISE LOCKSET COMPONENT APPROVAL HEREIN SHALL CONTROL.
- THE MORTISE LOCKSET COMPONENT DESCRIBED HEREIN SHALL BE USED WITH DOOR PANEL FACE SHEETS TO BE OF MIN. 18 GA. (0.048") AND FRAME JAMBS TO BE MIN. 16 GA. (0.053" MIN.) STEEL. MAX. DOOR PANEL DIMENSIONS: 48" (W) X 96" (H)
- SINGLE OR DOUBLE DOOR LEAF SHALL BE NO WIDER THAN 48" OR HIGHER THAN 96".
- THIS DEVICE CAN BE INSTALLED AS PART OF A LARGE MISSILE IMPACT RESISTANT ASSEMBLY.
- THE DOORS, UNDER SEPARATE APPROVAL, SHALL MEET THE FOLLOWING MINIMUM REQUIREMENTS:
 - THE DOOR PANELS SHALL BE MAX. 48" (W) X 96" (H) X 1-3/4" MIN. OVERALL THICKNESS
 - DOOR FACE SHEETS TO BE OF MIN. 18 GA. (0.048") STEEL AND DOOR FRAME TO BE MIN 16 GA. (0.053") STEEL.
 - DOOR PANEL SHALL BE STIFFENED WITH 20 GA. (0.029") "HAT-STIFFENERS", MAX. 6" O.C.
 - HINGE REINFORCEMENTS AT DOOR PANEL AND AT FRAME SHALL BE A MINIMUM OF 9 GA. (0.132") THICK STEEL.
 - MIN. 16 GA. (0.053" MIN.) STEEL DOOR REINFORCEMENT AT MORTISE LOCK.
 - MIN. 14 GA. (0.067" MIN.) STEEL FULL LENGTH C-CHANNEL AT HINGE & LOCK STILES.
 - PLEASE REFER TO DOOR ELEVATIONS, SHEET 2, AND CORRESPONDING DETAILS FOR APPLICABILITY OF REINFORCEMENT REQUIREMENTS.
- ELECTRICAL/ELECTRONIC FUNCTION AND INSTALLATION OTHER THAN SELF CONTAINED ELECTRONIC DEVICES ARE NOT PART OF THIS APPROVAL AND MUST BE REVIEWED BY AUTHORITY HAVING JURISDICTION(AHJ).
- COMPLIANCE WITH BUILDING EGRESS REQUIREMENTS TO BE REVIEWED BY BUILDING OFFICIAL.

TABLE OF CONTENTS		
SHEET	REVISION	SHEET DESCRIPTION
1	B	GENERAL NOTES
2	A	DOOR ELEVATIONS
3	B	HORIZONTAL SECTIONS
4	A	45H/47H MORTISE LOCK WITH DEADBOLT
5	A	45H/47H MORTISE LOCK WITHOUT DEADBOLT
6	A	48H & 49H MORTISE DEADLOCK

TITLE: SERIES 45H, 47H, 48H, &
49H MORTISE LOCKSET
W/ & W/ OUT DEADBOLTS
GENERAL NOTES

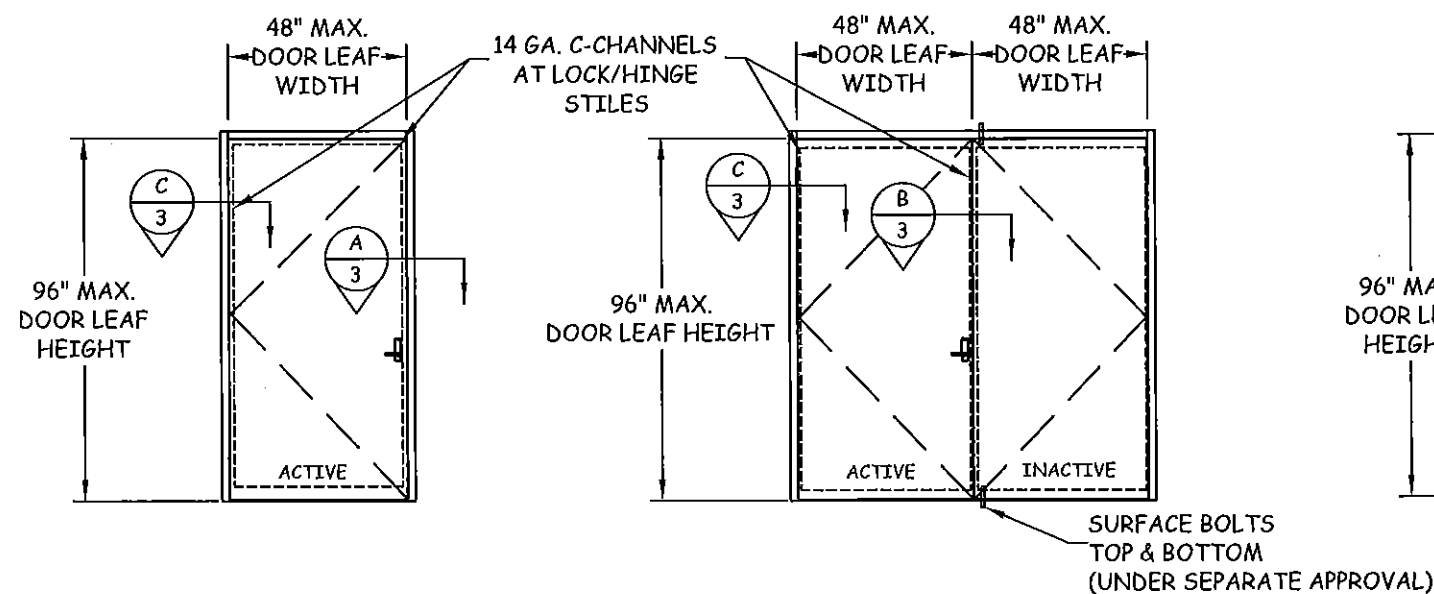
PREPARED BY:
BUILDING DROPS, INC.
398 E. DANIA BEACH BLVD. #338
DANIA BEACH, FL 33004
PH: (954) 399-8478 FX: (954) 744-4738

REVISIONS

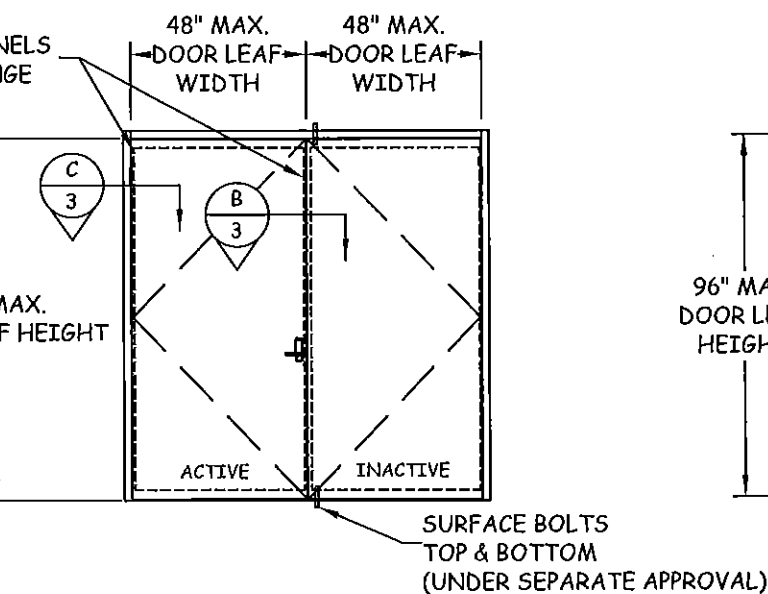
NO.	DESCRIPTION	BY	DATE
A	REV. PER REVIEWER COMMENTS	MS	1.28.13
B	5TH EDITION FBC UPDATE	SM	10.02.14

8-12-2015
HERNANDEZ, FREDERICK
FLORIDA PROFESSIONAL ENGINEER
398 E. DANIA BEACH BLVD. #338
DANIA BEACH, FL 33004
FBC AUTHORIZATION NO. 28578

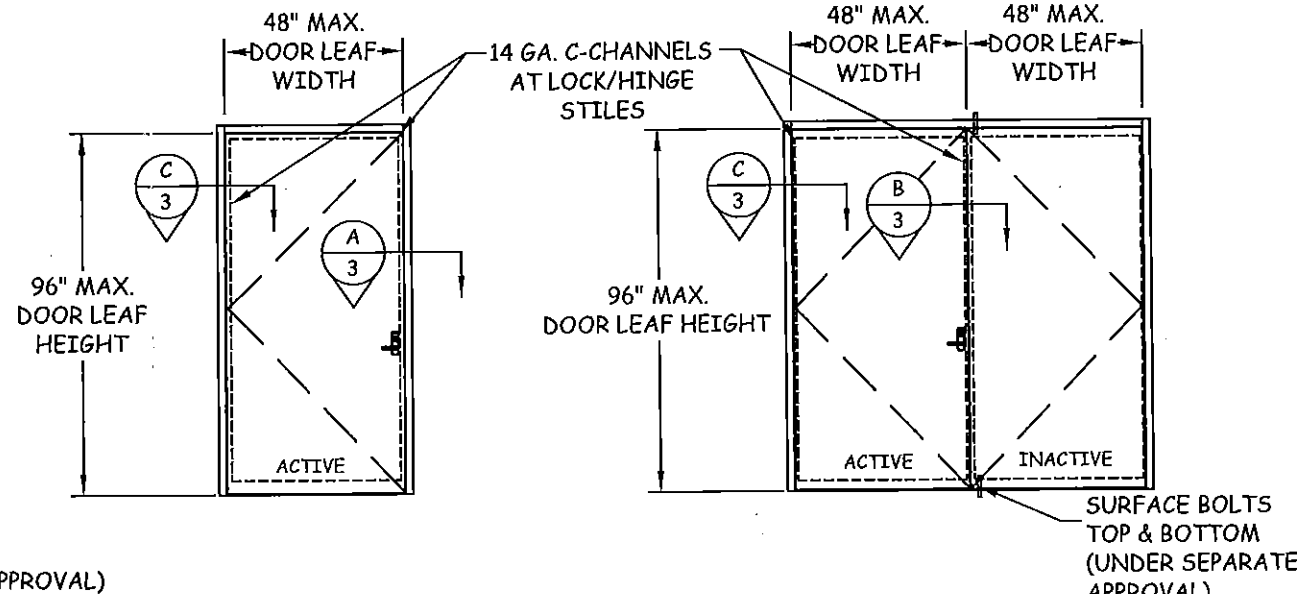
DATE: 09.04.12	DWN BY: MSS	CHK BY: HFN	SCALE: NTS
PRODUCT REVISED to comply with the Florida Building Code Acceptance No. 15-021725 Expiration Date 10/26/2017 Isheng L. Chen National Model Product Control			
DWG #: SSS005			
SHEET: 1 OF 6			



OUTSWING SINGLE STEEL DOOR
DOORS UNDER SEPARATE APPROVAL
45H/47H MORTISE LOCKSET WITHOUT DEADBOLT
SEE DESIGN PRESSURE TABLE, SHEET 4

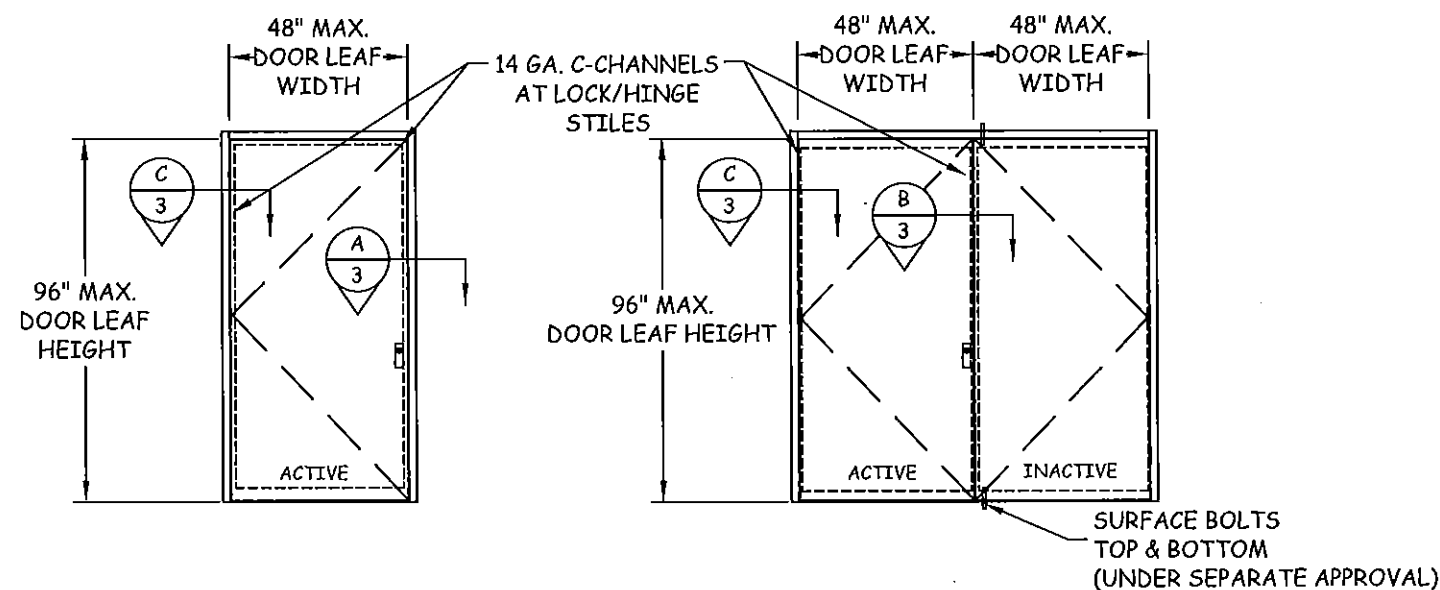


OUTSWING PAIR STEEL DOORS
DOORS UNDER SEPARATE APPROVAL
45H/47H MORTISE LOCKSET WITHOUT DEADBOLT
SEE DESIGN PRESSURE TABLE, SHEET 4



OUTSWING SINGLE STEEL DOOR
DOORS UNDER SEPARATE APPROVAL
45H/47H MORTISE LOCKSET WITH DEADBOLT
SEE DESIGN PRESSURE TABLE, SHEET 5

OUTSWING PAIR STEEL DOORS
DOORS UNDER SEPARATE APPROVAL
45H/47H MORTISE LOCKSET WITH DEADBOLT
SEE DESIGN PRESSURE TABLE, SHEET 5

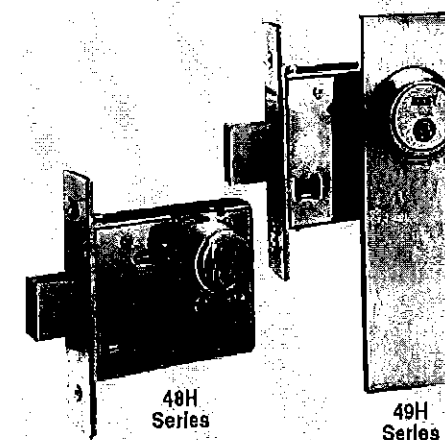


OUTSWING SINGLE STEEL DOOR
DOORS UNDER SEPARATE APPROVAL
48H/49H MORTISE DEADLOCK
SEE DESIGN PRESSURE TABLE, SHEET 6

OUTSWING PAIR STEEL DOORS
DOORS UNDER SEPARATE APPROVAL
48H/49H MORTISE DEADLOCK
SEE DESIGN PRESSURE TABLE, SHEET 6



45H/47H MORTISE LOCKSET WITH DEADBOLT



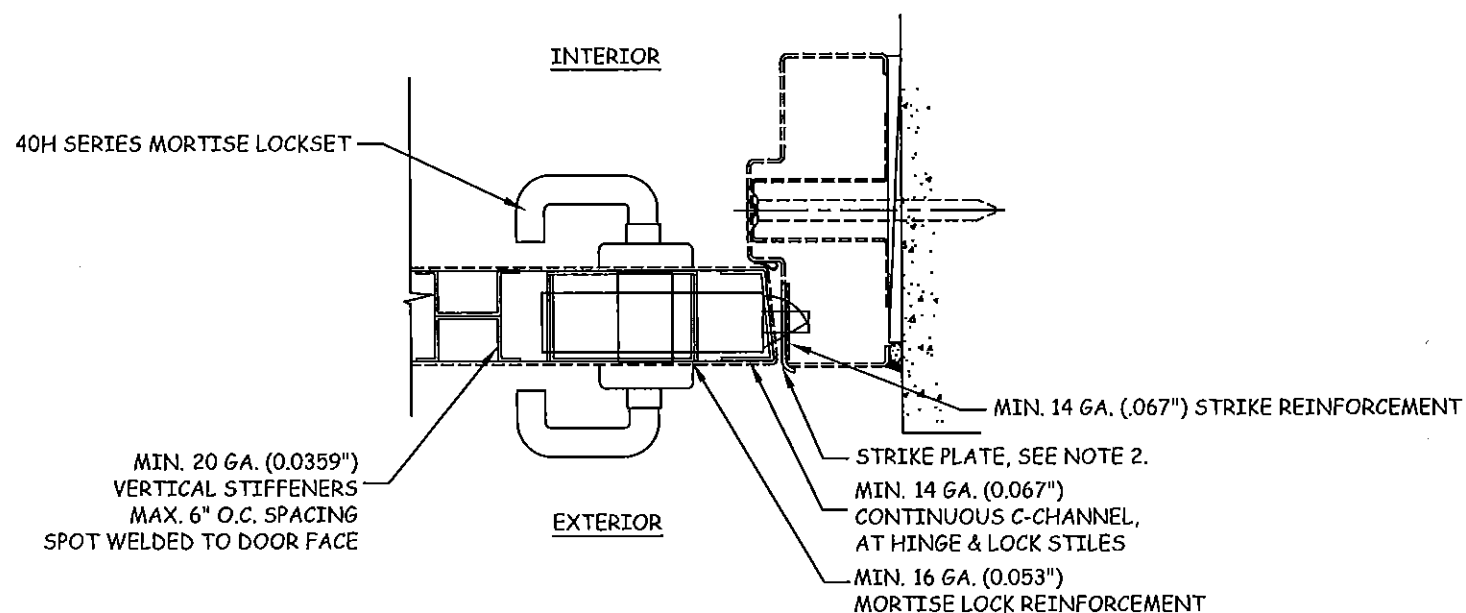
48H/49H MORTISE DEADLOCK

TITLE: SERIES 45H, 47H, 48H, &
49H MORTISE LOCKSET
W/ & W/ OUT DEADBOLTS
DOOR ELEVATIONS
PREPARED BY:
BUILDING DROPS, INC.
398 E. DANIA BEACH BLVD. #338
DANIA BEACH, FL 33004
PH: (954) 399-8478 FX: (954) 744-4738

REVISIONS		DATE	BY
NO.	DESCRIPTION		
A	REV. PER REVIEWER COMMENTS	1.28.13	MS

[Signature]
8-12-2015
HERNANDEZ F. NORRIS, P.E.
FLORIDA P. E. NO. 73770
398 E. DANIA BEACH BLVD. #338
DANIA BEACH, FL 33004
FBPE CERT. OF AUTHORIZATION NO. 28578

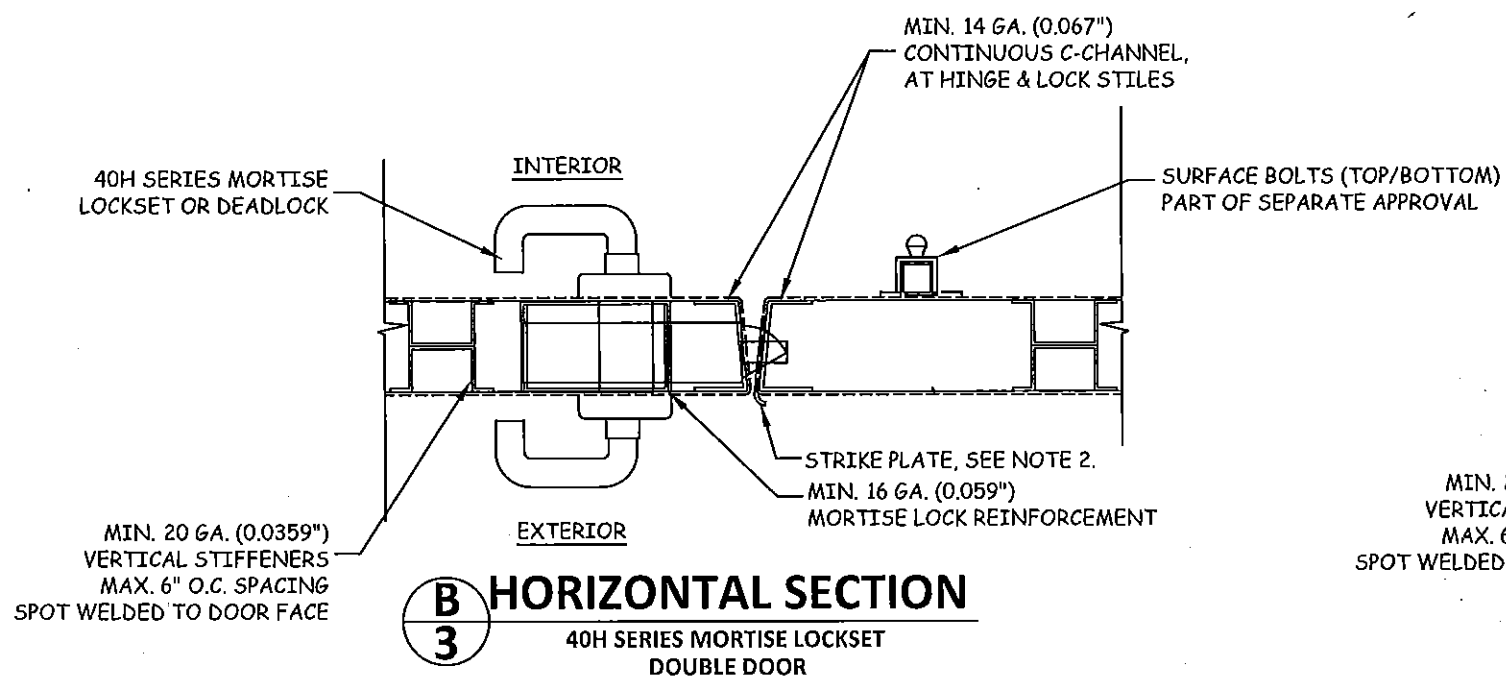
PRODUCT REVISED as complying with the Florida Building Code Acceptance No. 15-6217.05 Expiration Date 10/26/17	DATE: 09.04.12	DWN BY: MSS	CHK BY: HFN	SCALE: NTS
DWG #: SSS005	SHEET: 2 OF 6			



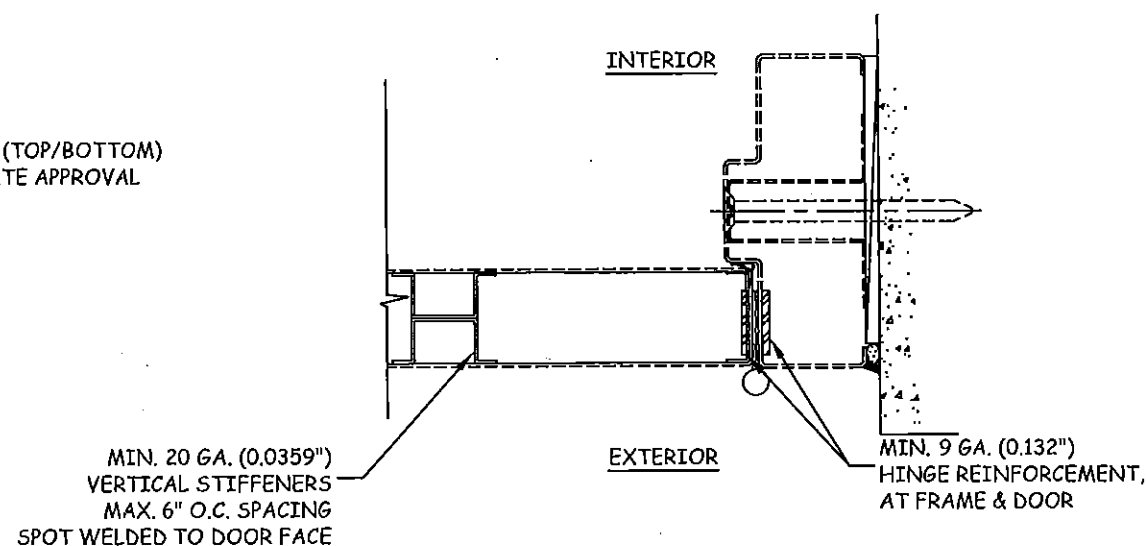
A
3 HORIZONTAL SECTION
40H SERIES MORTISE LOCKSET
SINGLE DOOR

NOTE:

1. SEE DOOR UNDER SEPARATE APPROVAL FOR DOOR CONSTRUCTION, DESIGN LOAD RATING, AND INSTALLATION DETAILS.
2. STRIKE PLATES SHALL BE FASTENED WITH TWO (2) #12-24 PHFHMS, SAE GR. 5.
3. SERIES 40H HORIZONTAL CROSS-SECTION SHOWN GENERIC AND APPLICABLE TO 45H/475 MORTISE LOCKSET W/WO DEADBOLT AND 48H/49H MORTISE DEADBOLT



B
3 HORIZONTAL SECTION
40H SERIES MORTISE LOCKSET
DOUBLE DOOR



C
3 HORIZONTAL SECTION
40H SERIES MORTISE LOCKSET
SINGLE/DOUBLE DOOR

TITLE: SERIES 45H, 47H, 48H, & 49H MORTISE LOCKSET W/ & W/ OUT DEADBOLTS HORIZONTAL SECTIONS
PREPARED BY: BUILDING DROPS, INC. 398 E. DANIA BEACH BLVD. #338 DANIA BEACH, FL 33004
PH: (954) 399-8478 FX: (954) 744-4738

REVISIONS		NO.	DESCRIPTION	BY	DATE
A	REV. PER REVIEWER COMMENTS	MS	1.28.13		
B	5TH EDITION FBC UPDATE	MS	07.27.15		

8-12-2015
HERNAN F. NORRERO, P.E.
FLORIDA P. E. NO. 73778
398 E. DANIA BEACH BLVD. #338
DANIA BEACH, FL 33004
FBC CERT. OF AUTHORIZATION NO. 29578

DATE:	09.04.12	DWN BY:	MSS	CHK BY:	HFN	SCALE:	NTS	
PRODUCT REVISED	to comply with the Florida Building Code							
Acceptance No	15-0217-0	DWG #:	SSS005				SHEET:	3 OF 6
Expiration Date	10/26/17							

45H & 47H MORTISE LOCKSET WITH DEADBOLT MAX. DESIGN PRESSURE	
SINGLE DOOR	+/- 60 PSF
PAIR DOORS	+/- 35 PSF

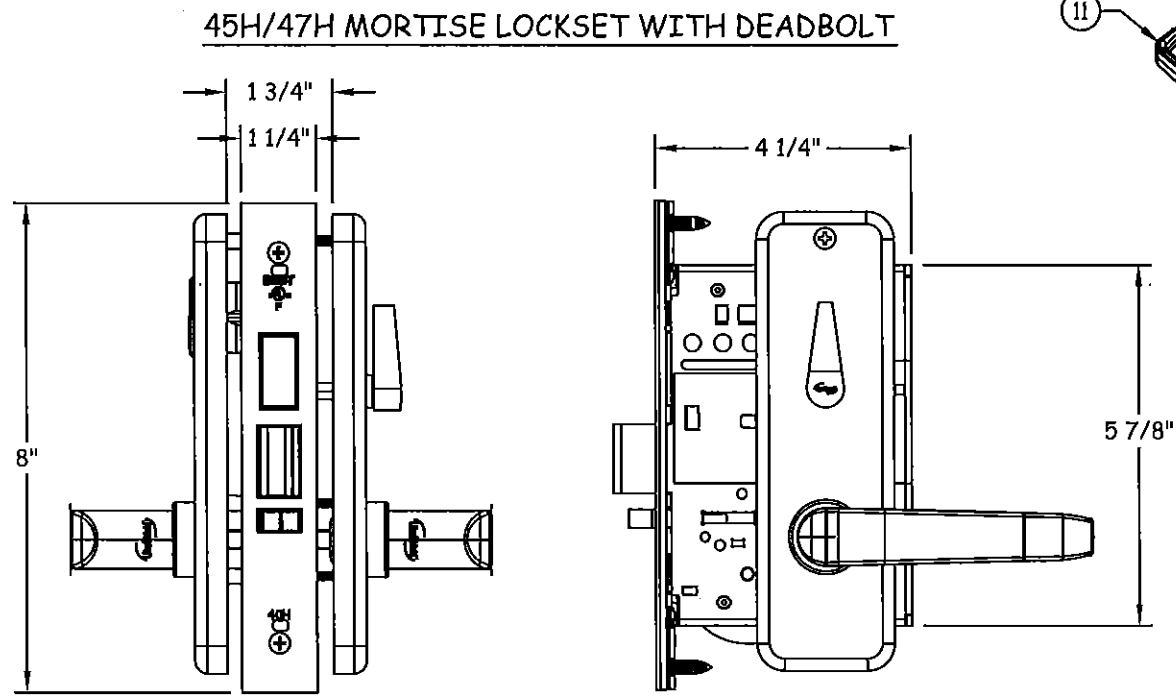
THROW DISTANCE	
LATCH (STEEL)	3/4"
DEADBOLT (STEEL)	1"

45H/47H MORTISE LOCK WITH DEADBOLT - B.O.M.				
ITEM	DRAWING	DESCRIPTION	REQ'D	MATERIAL
1	B34077	C258 CYLINDER CAM	1	BRASS
2	A44241	TRIM ALIGNMENT PLATE MOUNTING SCREW, #8-32 X 1.75" UNC-2A POFHMS	1	STAINLESS STEEL
3		A8 FUNCTION MORTISE LOCK FINAL ASSEMBLY	1	
4	A35466	ALIGNMENT PLATE ASSEMBLY	1	STEEL
5	A18724	CASE AND STRIKE MOUNT SCREW, #12-24 X 3/4" POFHMS GRADE 5	4	STEEL
6	D44030	FACEPLATE	1	BRASS/STAINLESS STEEL
7	A18722	FACEPLATE SCREW, #8-32 X 1/4" POFHMS	2	STAINLESS STEEL
8	B45150	INSIDE LEVER AND SET SCREW ASSEMBLY	1	BRASS
9	B45200	INSIDE ESCUTCHEON AND TURNKNOB ASSEMBLY	1	BRASS
10	B45071	INSIDE TRIM CASSETTE	1	
11	B45160	OUTSIDE LEVER AND SPINDLE ASSEMBLY	1	BRASS/STEEL
12	D44092	OUTSIDE STAMPED ESCUTCHEON	1	BRASS
13	B45081	OUTSIDE TRIM CASSETTE	1	
14	B44182	ROSE RING	2	BRASS
15	A44215	TRIM CASSETTE MOUNTING SCREW #8-32	2	STAINLESS STEEL
16	C44004	UNIVERSAL STRIKE - 3/32" MIN. THICKNESS, S1 OR S6	1	BRASS

STANLEY
Security Solutions

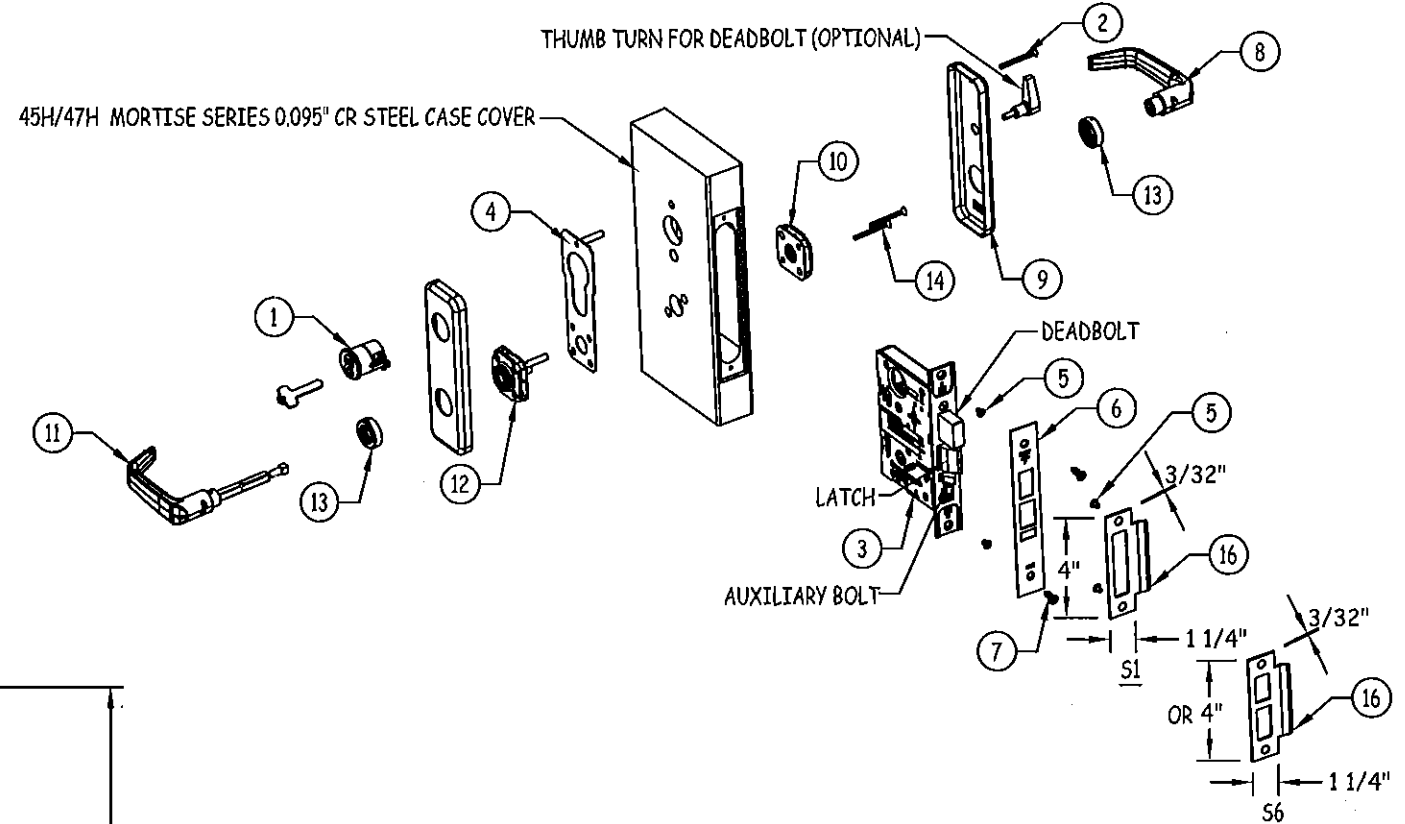
6161 EAST 75TH STREET
INDIANAPOLIS, IN 46250
PH: (317) 806-3288
FX: (317) 806-3337

TITLE: SERIES 45H, 47H, 48H, & 49H MORTISE LOCKSET W/ & W/ OUT DEADBOLTS WITH DEADBOLT
PREPARED BY: BUILDING DROPS, INC.
398 E. DANIA BEACH BLVD. #338
DANIA BEACH, FL 33004
PH: (954) 399-8478 FX: (954) 744-4738



D
4 FRONT VIEW
45H/47H MORTISE LOCKSET WITH DEADBOLT

E
4 SIDE VIEW
45H/47H MORTISE LOCKSET WITH DEADBOLT



45H/47H MORTISE LOCKSET WITH DEADBOLT
SEE DETAILS D/4 & E/4 FOR FRONT & SIDE VIEW

SPECIFICATIONS:
ANSI A156.13 SERIES 1000 GRADE 1
BACKSET = 2 3/4"
LATCH THROW (SS) = 3/4" MIN.
BOLT THROW (SS) = 1" MIN.

REVISIONS			
NO	DESCRIPTION	BY	DATE
A	REV. PER REVIEWER COMMENTS	MS	1.28.13

8-12-2015
HERGEN F. NORTON, P.E.
FLORIDA F.E. NO. 75778
398 E. DANIA BEACH BLVD. #338
DANIA BEACH, FL 33004
FBPE CERT. OF AUTHORIZATION NO. 28578

PRODUCT REVISED
to comply with the Florida
Building Code
Acceptance No 15-0217-05
Expiration Date 10/26/17
By: [Signature]
Product Control

DATE: 09.04.12
DWN BY: MSS
CHK BY: HFN
SCALE: NTS
DWG #: SSS005
SHEET: 4 OF 6

45H & 47H MORTISE LOCKSET WITHOUT DEADBOLT MAX. DESIGN PRESSURE	
SINGLE DOOR	+/- 60 PSF
PAIR DOORS	+/- 35 PSF

THROW DISTANCE	
LATCH (STEEL)	3/4"

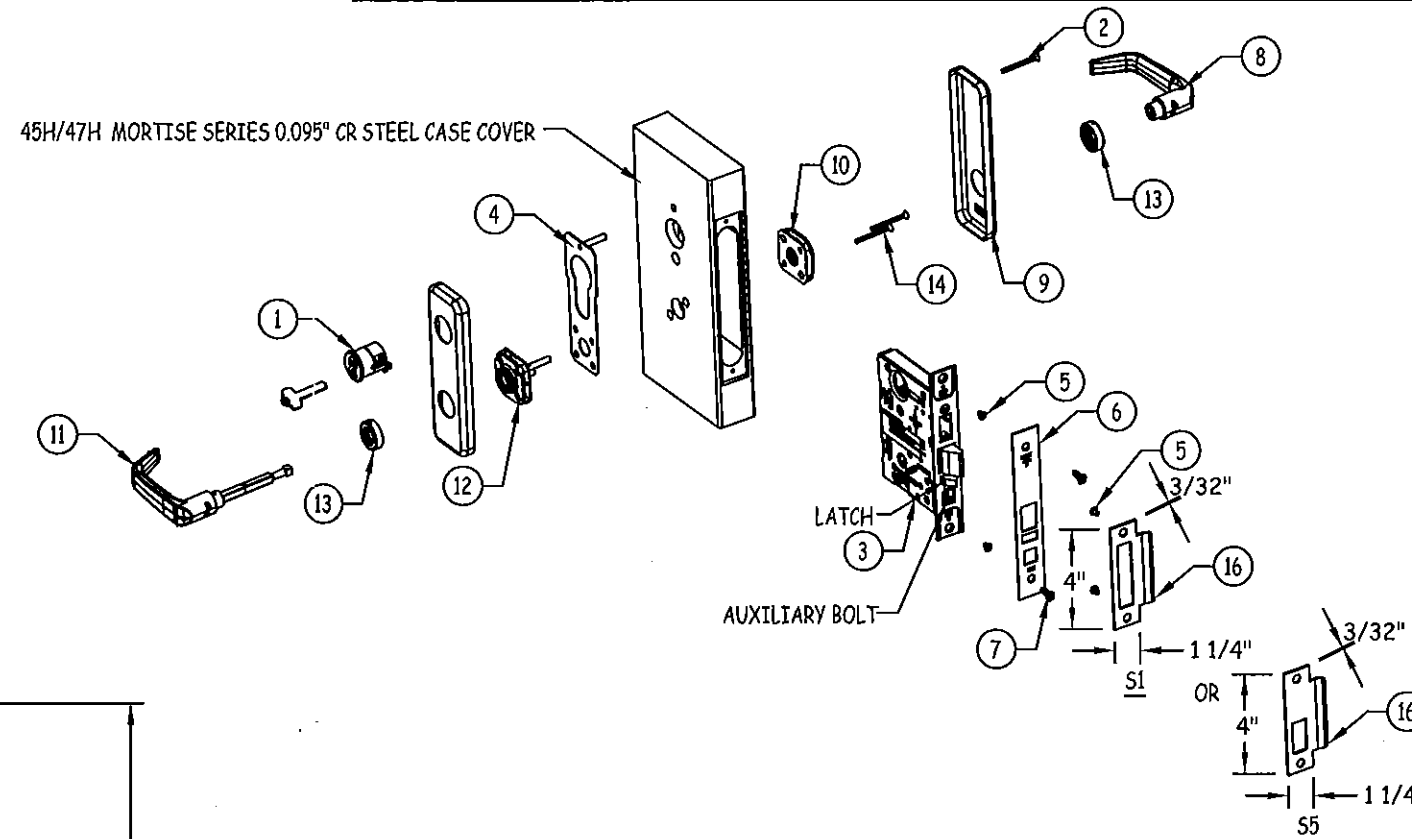
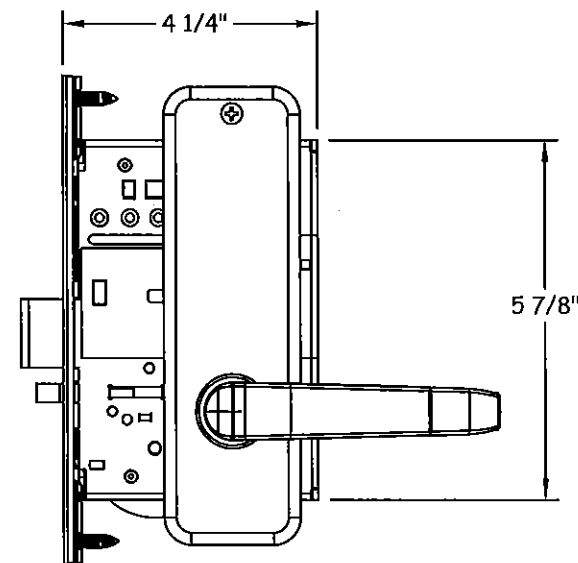
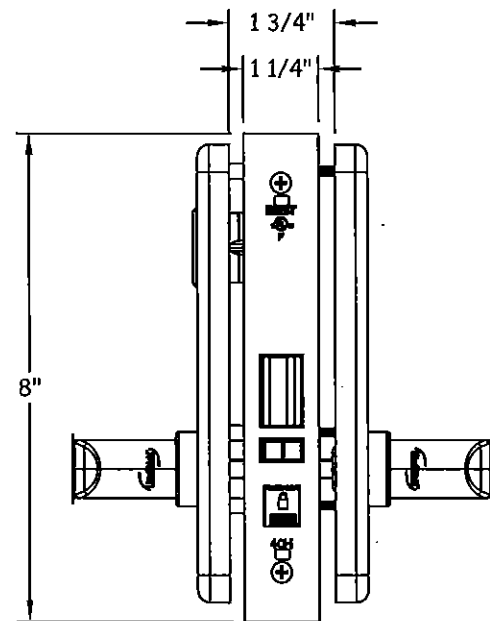
45H/47H MORTISE LOCK WITHOUT DEADBOLT - B.O.M.				
ITEM	DRAWING	DESCRIPTION	REQ'D	MATERIAL
1	B34077	C258 CYLINDER CAM	1	BRASS
2	A44241	TRIM ALIGNMENT PLATE MOUNTING SCREW, #8-32 X 1.75" UNC-2A POFHMS	1	STAINLESS STEEL
3	-	A FUNCTION MORTISE LOCK FINAL ASSEMBLY	1	-
4	A35466	ALIGNMENT PLATE ASSEMBLY	1	STEEL
5	A18724	CASE AND STRIKE MOUNT SCREW, #12-24 X 3/4" PHFHM5 GRADE 5	4	STEEL
6	D44030	FACEPLATE	1	BRASS/STAINLESS STEEL
7	A18722	FACEPLATE SCREW, #8-32 X 1/4" PHFHM5	2	STAINLESS STEEL
8	B45150	INSIDE LEVER AND SET SCREW ASSEMBLY	1	BRASS
9	D44081	INSIDE ESCUTCHEON	1	BRASS
10	B45071	INSIDE TRIM CASSETTE	1	-
11	B45160	OUTSIDE LEVER AND SPINDLE ASSEMBLY	1	BRASS/STEEL
12	D44092	OUTSIDE STAMPED ESCUTCHEON	1	BRASS
13	B45081	OUTSIDE TRIM CASSETTE	1	-
14	B44182	ROSE RING	2	BRASS
15	A44215	TRIM CASSETTE MOUNTING SCREW #8-32	2	STAINLESS STEEL
16	C44004	UNIVERSAL STRIKE - 3/32" MIN. THICKNESS, S1 OR S5	1	BRASS

STANLEY
Security Solutions

6161 EAST 75TH STREET
INDIANAPOLIS, IN 46250
PH: (317) 806-3288
FX: (317) 806-3337

TITLE: SERIES 45H, 47H, 48H, &
49H MORTISE LOCKSET
W/ & W/ OUT DEADBOLTS
45H/47H MORTISE LOCK
WITHOUT DEADBOLT
PREPARED BY:
BUILDING DROPS, INC.
398 E. DANIA BEACH BLVD. #338
DANIA BEACH, FL 33004
PH: (954) 399-9478 FX: (954) 744-4738

45H/47H MORTISE LOCKSET WITHOUT DEADBOLT



45H/47H MORTISE LOCKSET WITHOUT DEADBOLT

SEE DETAILS F/5 & G/5 FOR FRONT & SIDE VIEW

SPECIFICATIONS:
ANSI A156.13 SERIES 1000 GRADE 1
BACKSET = 2 3/4"
LATCH THROW (SS) = 3/4" MIN.

REVISIONS

NO.	DESCRIPTION	BY	DATE
A	REV. PER REVIEWER COMMENTS	MS	1.28.13

PRODUCT REVISED
as complying with the Florida
Building Code
Acceptance No. 15-0217-05
Expiration Date 10/24/17
By: [Signature]
Mfg. Dept. Product Control

DATE: 09.04.12
DWN BY: MSS
CHK BY: HFN
SCALE: NTS

DWG #: **SSS005**
SHEET: 5 OF 6

F
5
FRONT VIEW
45H/47H MORTISE LOCKSET
WITHOUT DEADBOLT

G
5
SIDE VIEW
45H/47H MORTISE LOCKSET
WITHOUT DEADBOLT

8-12-2015
HERNANDEZ, NOELIA, P.E.
FLORIDA REG. NO. 78774
398 E. DANIA BEACH BLVD. #338
DANIA BEACH, FL 33004
FBPE CERT. OF AUTHORIZATION NO. 28578

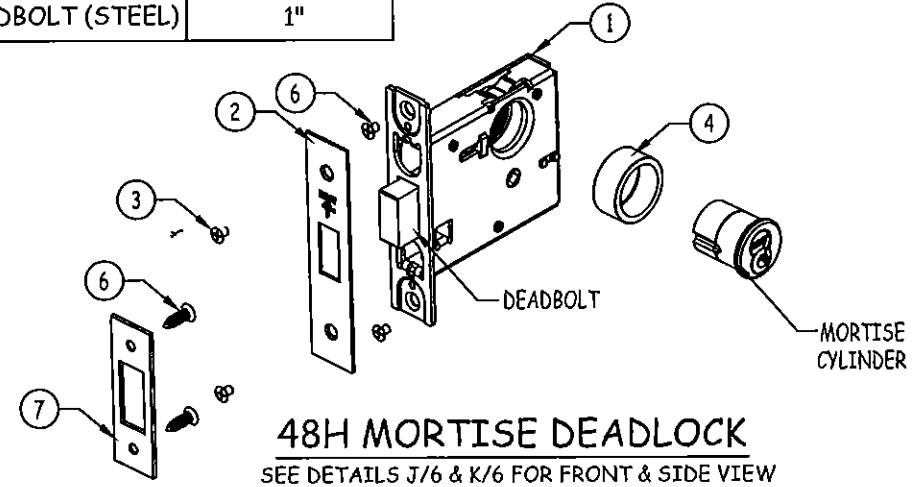
6161 EAST 75TH STREET
INDIANAPOLIS, IN 46250
PH: (317) 806-3288
FX: (317) 806-3337

TITLE: SERIES 45H, 47H, 48H, &
49H MORTISE LOCKSET
W/ & W/ OUT DEADBOLTS
48H & 49H MORTISE DEADLOCK
PREPARED BY:
BUILDING DROPS, INC.
398 E. DANIA BEACH BLVD. #338
DANIA BEACH, FL 33004
PH: (954) 399-8478 FX: (954) 744-4738

48H & 49H MORTISE DEADLOCK MAX. DESIGN PRESSURE	
SINGLE DOOR	+/- 40.5 PSF
PAIR DOORS	+/- 40.5 PSF

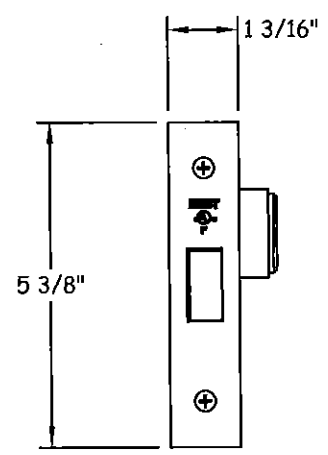
SPECIFICATIONS:
BACKSET = 2 3/4"
DEADBOLT THROW (SS) = 1" MIN.
CASE: 0.095" CR STEEL

THROW DISTANCE	
DEADBOLT (STEEL)	1"

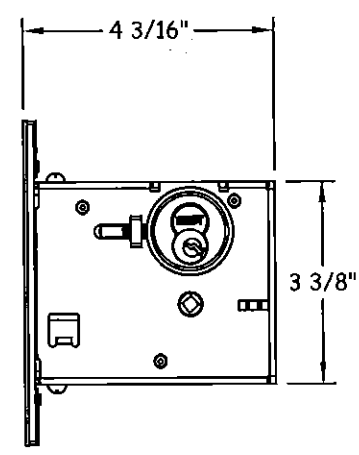


48H MORTISE DEADLOCK
SEE DETAILS J/6 & K/6 FOR FRONT & SIDE VIEW

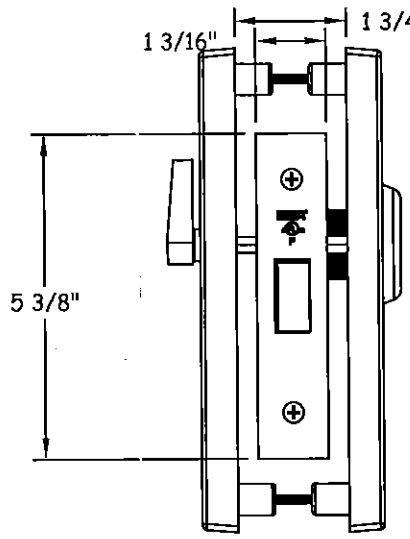
ITEM	DRAWING	DESCRIPTION	REQ'D	MATERIAL
1	-	MORTISE DEADBOLT FINAL ASSEMBLY	1	STAINLESS STEEL
2	C34381	FACEPLATE	1	BRASS
3	A18722	FACEPLATE SCREW, #8-32 X 1/4" PHFMS	2	STEEL
4	B35103	CYLINDER RING	1	BRASS
5	-	CYLINDER ASSEMBLY	1	BRASS
6	A18724	CASE AND STRIKE MOUNT SCREW, #12-24 X 3/4" PHFMS <i>Grade 5</i>	4	STEEL
7	C44004	UNIVERSAL STRIKE - 3/32" MIN. THICKNESS	1	BRASS



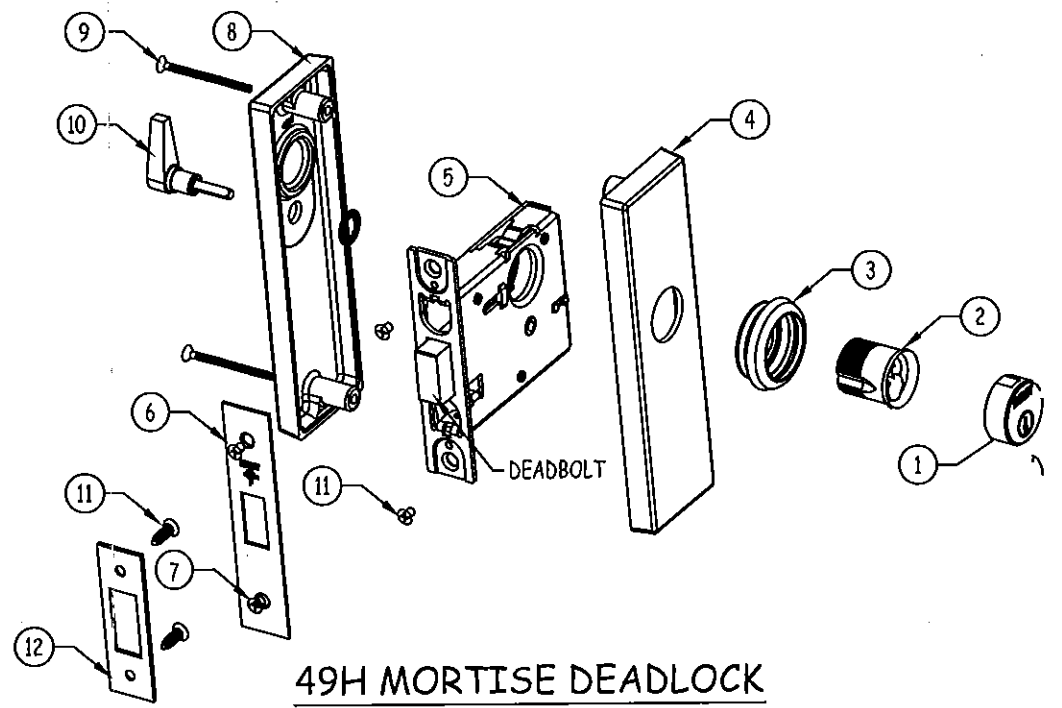
J
6 FRONT VIEW
48H MORTISE DEADLOCK



K
6 SIDE VIEW
48H MORTISE DEADLOCK

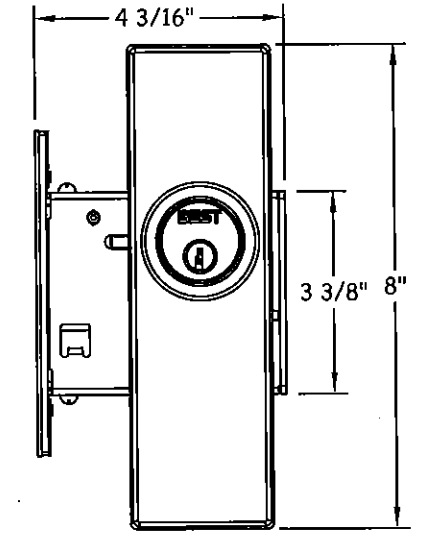


H
6 FRONT VIEW
49H MORTISE DEADLOCK



49H MORTISE DEADLOCK
SEE DETAILS H/6 & I/6 FOR FRONT & SIDE VIEW

ITEM	DRAWING	DESCRIPTION	REQ'D	MATERIAL
1	B19436	HIGH SECURITY CYLINDER	1	BRASS
2	B19446	UL CYLINDER FACE	1	STEEL
3	C44470	HIGH SECURITY CYLINDER RING	1	STAINLESS STEEL
4	B45221	OUTSIDE ESCUTCHEON	1	STAINLESS STEEL
5	-	MORTISE FINAL ASSEMBLY	4	-
6	B34353	FACEPLATE	1	BRASS
7	A18722	FACEPLATE SCREW, #8-32 X 1/4" PHFMS	2	STAINLESS STEEL
8	B45213	INSIDE ESCUTCHEON	1	STAINLESS STEEL
9	-	ESCUTCHEON MOUNTING SCREW, #10-32 X 2 1/8"	2	STAINLESS STEEL
10	A45203	TURN KNOB AND SPINDLE ASSEMBLY	1	BRASS/STEEL
11	A18724	CASE AND STRIKE MOUNT SCREW, #12-24 X 3/4" PHFMS <i>Grade 5</i>	4	STEEL
12	C44004	UNIVERSAL STRIKE - 3/32" MIN. THICKNESS	1	BRASS



I
6 SIDE VIEW
49H MORTISE DEADLOCK

REVISIONS

NO.	DESCRIPTION	BY	DATE
A	REV. PER REVIEWER COMMENTS	MS	1.28.13

[Signature]
8-12-2015
HERMES F. MONROE, P.E.
398 E. DANIA BEACH BLVD. #338
DANIA BEACH, FL 33004
FLPE CERT. OF AUTHORIZATION NO. 28578

DATE: 09.04.12	DWN BY: MSS	CHK BY: HFN	SCALE: NTS
PRODUCT REVISED to comply with the Florida Building Code Acceptance No. 15-0217-09 Expiration Date 10/24/17		DWG #: SSS005	
SHEET: 6 OF 6			