



DEPARTMENT OF REGULATORY AND ECONOMIC RESOURCES (RER)
BOARD AND CODE ADMINISTRATION DIVISION

MIAMI-DADE COUNTY
PRODUCT CONTROL SECTION
11805 SW 26 Street, Room 208
T (786) 315-2590 F (786) 315-2599

NOTICE OF ACCEPTANCE (NOA)

www.miamidade.gov/economy

Eco Window Systems, LLC
9114 NW 106 Street
Medley, FL 33178

SCOPE:

This NOA is being issued under the applicable rules and regulations governing the use of construction materials. The documentation submitted has been reviewed and accepted by Miami-Dade County RER-Product Control Section to be used in Miami-Dade County and other areas where allowed by the Authority Having Jurisdiction (AHJ).

This NOA shall not be valid after the expiration date stated below. The Miami-Dade County Product Control Section (In Miami-Dade County) and/ or the AHJ (in areas other than Miami-Dade County) reserve the right to have this product or material tested for quality assurance purposes. If this product or material fails to perform in the accepted manner, the manufacturer will incur the expense of such testing and the AHJ may immediately revoke, modify, or suspend the use of such product or material within their jurisdiction. RER reserves the right to revoke this acceptance, if it is determined by Miami-Dade County Product Control Section that this product or material fails to meet the requirements of the applicable building code.

This product is approved as described herein, and has been designed to comply with the Florida Building Code, including the High Velocity Hurricane Zone.

DESCRIPTION: Series "Eco-Guard 500" Outswing Aluminum Casement Window – L.M.I.

APPROVAL DOCUMENT: Drawing No. **W11-05**, titled "S-500 Alum. Outswing Casement Wdw. (L.M.I.)", sheets 1 through 6 of 6, dated 02/23/11, with revision E dated 06/23/15, prepared by Al-Farooq Corporation, signed and sealed by Javad Ahmad, P.E., bearing the Miami-Dade County Product Control Revision stamp with the Notice of Acceptance number and expiration date by the Miami-Dade County Product Control Section.

MISSILE IMPACT RATING: Large and Small Missile Impact Resistant

LABELING: Each unit shall bear a permanent label with the manufacturer's name or logo, city, state, series, and following statement: "Miami-Dade County Product Control Approved", unless otherwise noted herein.

RENEWAL of this NOA shall be considered after a renewal application has been filed and there has been no change in the applicable building code negatively affecting the performance of this product.

TERMINATION of this NOA will occur after the expiration date or if there has been a revision or change in the materials, use, and/ or manufacture of the product or process. Misuse of this NOA as an endorsement of any product, for sales, advertising or any other purposes shall automatically terminate this NOA. Failure to comply with any section of this NOA shall be cause for termination and removal of NOA.

ADVERTISEMENT: The NOA number preceded by the words Miami-Dade County, Florida, and followed by the expiration date may be displayed in advertising literature. If any portion of the NOA is displayed, then it shall be done in its entirety.

INSPECTION: A copy of this entire NOA shall be provided to the user by the manufacturer or its distributors and shall be available for inspection at the job site at the request of the Building Official.

This NOA revises and renews NOA No. **13-0206.07** and consists of this page 1 and evidence pages E-1 and E-2, as well as approval document mentioned above.

The submitted documentation was reviewed by **Manuel Perez, P. E.**



MP
7/6/26/15

NOA No. 15-0406.10
Expiration Date: May 19, 2021
Approval Date: July 02, 2015
Page 1

NOTICE OF ACCEPTANCE: EVIDENCE SUBMITTED

A. DRAWINGS

1. Manufacturer's die drawings and sections.
(Submitted under NOA No. 11-0309.06)
2. Drawing No. **W11-05**, titled "S-500 Alum. Outswing Casement Wdw. (L.M.I.)", sheets 1 through 6 of 6, dated 02/23/11, with revision **E** dated 06/23/15, prepared by Al-Farooq Corporation, signed and sealed by Javad Ahmad, P.E.

B. TESTS

1. Test reports on: 1) Air Infiltration Test, per FBC, TAS 202-94
2) Uniform Static Air Pressure Test, Loading per FBC TAS 202-94
3) Water Resistance Test, per FBC, TAS 202-94
4) Large Missile Impact Test per FBC, TAS 201-94
5) Cyclic Wind Pressure Loading per FBC, TAS 203-94
6) Forced Entry Test, per FBC 2411 3.2.1, TAS 202-94
along with marked-up drawings and installation diagram of a casement window, prepared by Hurricane Engineering and Testing, Inc., Test Reports No. **HETI-10-3150** and **HETI-10-3151**, dated 12/29/10, all signed and sealed by Candido F. Font, P.E.
(Submitted under NOA No. 11-0309.06)

C. CALCULATIONS

1. Anchor verification calculations and structural analysis, complying with **FBC 5th Edition (2014)**, prepared by Al-Farooq Corporation, dated 03/17/15 and 06/23/15, signed and sealed by Javad Ahmad, P.E.
2. Glazing complies with **ASTM E1300-09**

D. QUALITY ASSURANCE

1. Miami-Dade Department of Regulatory and Economic Resources (RER)

E. MATERIAL CERTIFICATIONS

1. Notice of Acceptance No. **14-0916.10** issued to **Kuraray America, Inc.** for their "**Kuraray Butacite® PVB Glass Interlayer**" dated 04/25/15, expiring on 12/11/16.



Manuel Perez, P. E.
Product Control Examiner

NOA No. 15-0406.10

Expiration Date: May 19, 2021

Approval Date: July 02, 2015

NOTICE OF ACCEPTANCE: EVIDENCE SUBMITTED

F. STATEMENTS

1. Statement letter of conformance, complying with **FBC-5th Edition (2014)**, and of no financial interest, dated March 17, 2015, issued by Al-Farooq Corporation, signed and sealed by Javad Ahmad, P.E.
2. Laboratory compliance letter for Test Reports No. **HETI-10-3150** and **HETI-10-3151**, issued by Hurricane Engineering and Testing, Inc., dated 12/29/10, all signed and sealed by Candido F. Font, P.E.
(Submitted under NOA No. 11-0309.06)

G. OTHERS

1. Notice of Acceptance No. **13-0206.07**, issued to Eco Window Systems, LLC for their Series **"Eco-Guard 500" Outswing Aluminum Casement Window – L.M.I.**, approved on 05/02/13 and expiring on 05/19/16.



Manuel Perez, P. E.
Product Control Examiner

NOA No. 15-0406.10

Expiration Date: May 19, 2021

Approval Date: July 02, 2015

ECO-GUARD SERIES-500

ALUMINUM OUTSWING CASEMENT WINDOW

APPROVAL APPLIES TO SINGLE UNITS OR SIDE BY SIDE COMBINATIONS OF CASMT/CASMT OR CASEMENT WITH OTHER WINDOW TYPES IN MODULES OF TWO OR MORE WINDOWS USING MIAMI-DADE COUNTY APPROVED MULLIONS IN BETWEEN. LOWER DESIGN PRESSURE FROM WINDOWS OR MULLION APPROVAL WILL APPLY TO ENTIRE SYSTEM.

THIS PRODUCT HAS BEEN DESIGNED AND TESTED TO COMPLY WITH THE REQUIREMENTS OF THE FLORIDA BUILDING CODE INCLUDING HIGH VELOCITY HURRICANE ZONE (HVHZ).

WOOD BUCKS BY OTHERS, MUST BE ANCHORED PROPERLY TO TRANSFER LOADS TO THE STRUCTURE.

ANCHORS SHALL BE AS LISTED, SPACED AS SHOWN ON DETAILS, ANCHORS EMBEDMENT TO BASE MATERIAL SHALL BE BEYOND WALL DRESSING OR STUCCO.

ANCHORING OR LOADING CONDITIONS NOT SHOWN IN THESE DETAILS ARE NOT PART OF THIS APPROVAL.

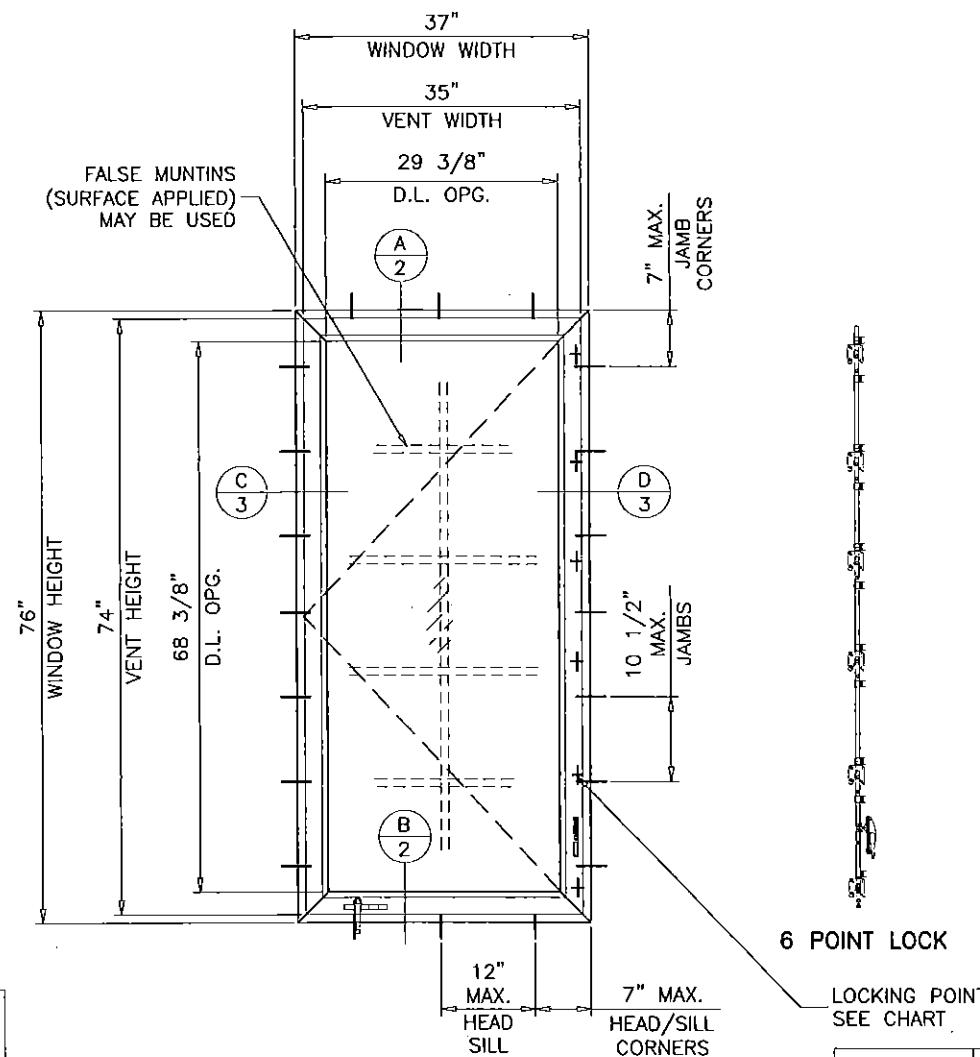
A LOAD DURATION INCREASE IS USED IN DESIGN OF ANCHORS INTO WOOD ONLY.

ALL SHIMS TO BE HIGH IMPACT, NON-METALLIC AND NON-COMPRESSIBLE.

MATERIALS INCLUDING BUT NOT LIMITED TO STEEL/METAL SCREWS, THAT COME INTO CONTACT WITH OTHER DISSIMILAR MATERIALS SHALL MEET THE REQUIREMENTS OF THE FLORIDA BUILDING CODE.

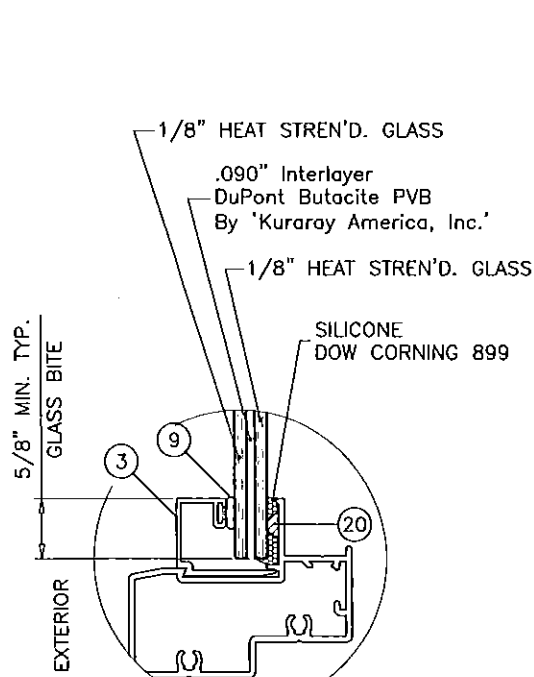
THESE WINDOWS ARE RATED FOR LARGE & SMALL MISSILE IMPACT. SHUTTERS ARE NOT REQUIRED.

MAXIMUM DESIGN LOAD RATING = + 70.0 PSF
(FOR SIZES SHOWN OR SMALLER) - 75.0 PSF

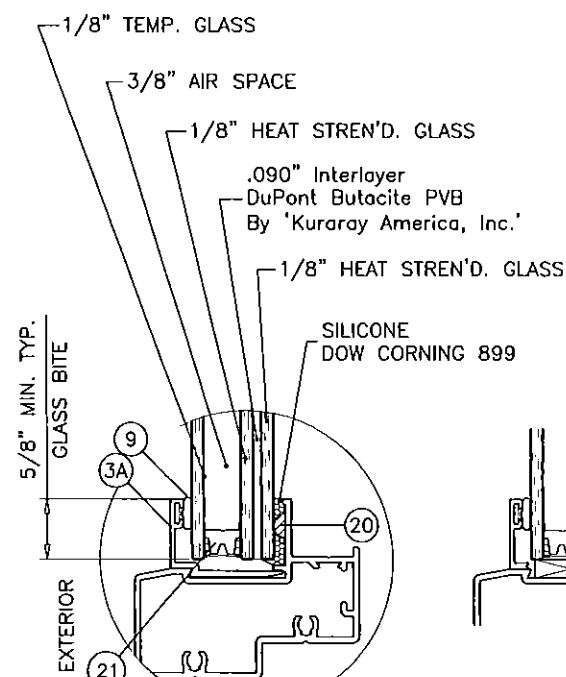


TYPICAL ELEVATION

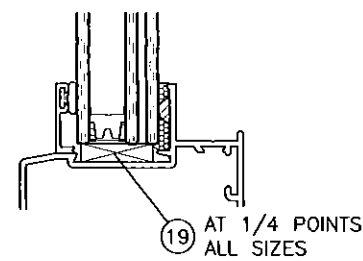
WDW. HEIGHT UPTO	NO. OF KEEPERS AT SASH
26"	2
38-3/8"	3
50-5/8"	4
63"	5
76"	6



GLASS TYPE 'A'

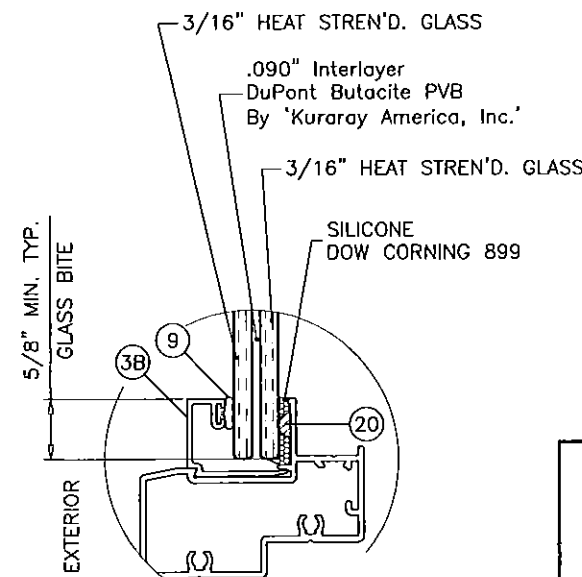


GLASS TYPE 'AA'



SETTING BLOCKS AT 1/4 POINTS ALL SIZES
NOTCH GLAZING BEAD LEG TO CLEAR BLOCKS

GLAZING OPTIONS



GLASS TYPE 'B'

PRODUCT REVISED
as complying with the Florida Building Code
Acceptance No **15-0406.10**
Expiration Date **05/19/2021**
By *Manuel Jere*
Miami Dade Product Control

NOTE:
GLASS CAPACITIES ON THIS SHEET ARE BASED ON ASTM E1300-09 (3 SEC. GUSTS) AND FLORIDA BUILDING COMMISSION DECLARATORY STATEMENT DCA05-DEC-219

Engr: JAVAD AHMAD
CIVIL
FLA. PE. # 70592
C.A.N. 3538
[Signature]
JUN 23 2015

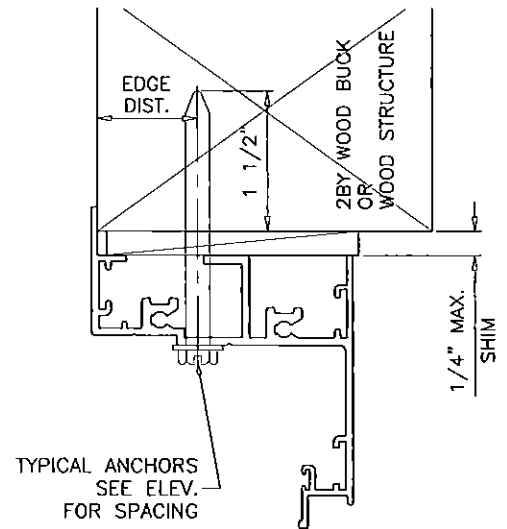
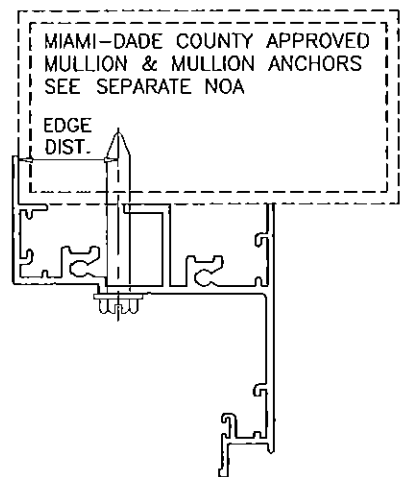
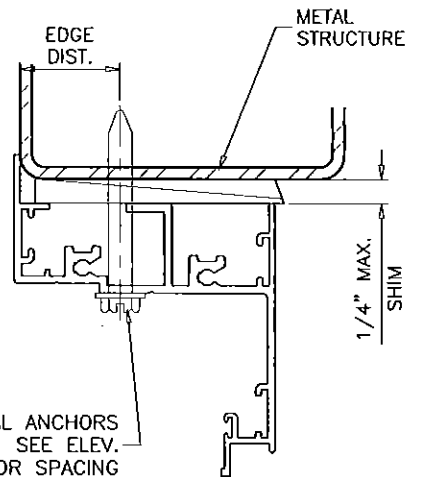
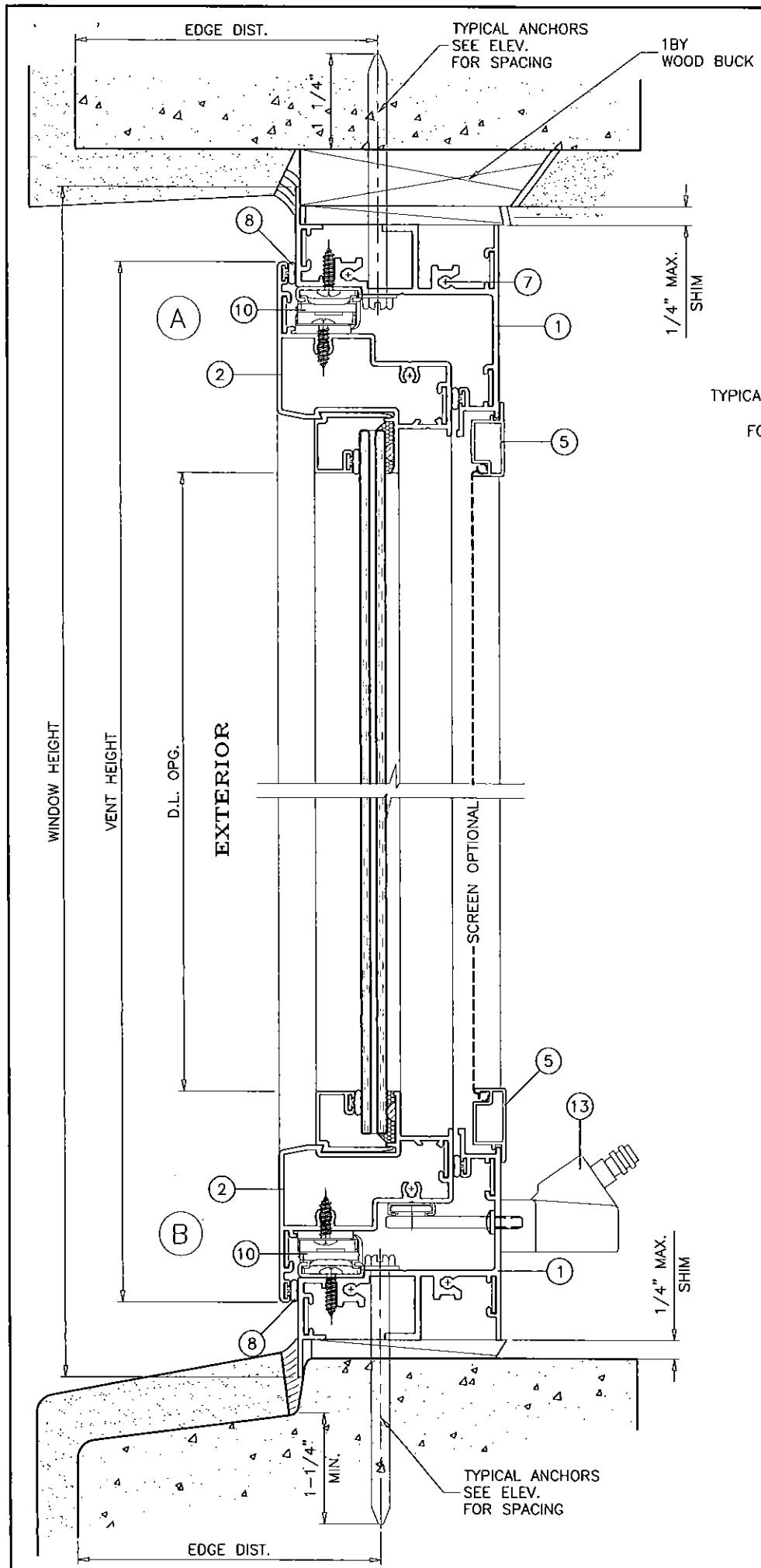
af c
AL-FAROOQ CORPORATION
ENGINEERS & PRODUCT DEVELOPMENT
1235 S.W. 87 AVE
MIAMI, FLORIDA 33174
TEL. (305) 264-8100 FAX. (305) 262-6978
COMP-ANL W11-05ECO

S-500 ALUM OUTSWING CASEMENT WDW. (L.M.I.)
ECO WINDOW SYSTEMS, LLC.
9114 N.W. 106 STREET
MEDLEY, FL. 33178
TEL. (305) 885-5299 FAX (305) 885-5902

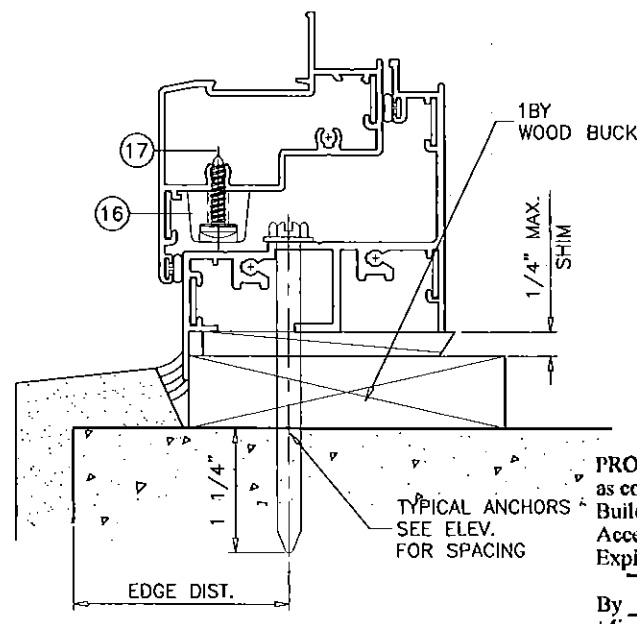
NO.	DATE	DESCRIPTION	BY
A	04.27.11	NO CHANGE THIS SHEET	
B	01.31.12	UPDATED TO 2010 FBC	
C	01.11.13	MANUF. ADDRESS REV.	
D	03.19.15	UPDATED TO 2014 FBC	
E	06.23.15	REV. PER COMMENTS	

date: 02-23-11
scale: 1/2"=1'-0"
dr. by: HAMID
chk. by:

drawing no.
W11-05
sheet 1 of 6



WOOD BUCKS AND METAL STRUCTURE NOT BY ECO WDW. MUST SUSTAIN LOADS IMPOSED BY GLAZING SYSTEM AND TRANSFER THEM TO THE BUILDING STRUCTURE.



TYPICAL ANCHORS: SEE ELEV. FOR SPACING
1/4" DIA. ULTRACON BY 'ELCO' (Fu=177 KSI, Fy=155 KSI)
 INTO 2BY WOOD BUCKS OR WOOD STRUCTURES
 1-1/2" MIN. PENETRATION INTO WOOD (HEAD/SILL/JAMBS)
 THRU 1BY BUCKS INTO CONC. OR MASONRY
 1-1/4" MIN. EMBED INTO CONCRETE (HEAD/SILL)
 1-1/4" MIN. EMBED INTO CONC. OR MASONRY (JAMBS)
 DIRECTLY INTO CONC. OR MASONRY
 1-1/4" MIN. EMBED INTO CONCRETE (HEAD/SILL)
 1-1/4" MIN. EMBED INTO CONC. OR MASONRY (JAMBS)
#14 SMS OR SELF DRILLING SCREWS (GRADE 2 CRS)
 INTO METAL STRUCTURES
 STEEL : 1/8" THK. MIN. (Fy = 36 KSI MIN.)
 ALUMINUM : 1/8" THK. MIN. (6063-T5 MIN.)
 (STEEL IN CONTACT WITH ALUMINUM TO BE PLATED OR PAINTED)
#12 SMS OR SELF DRILLING SCREWS (GRADE 2 CRS)
 INTO MIAMI-DADE COUNTY APPROVED MULLIONS (MIN. THK. = 1/8")
 (NO SHIM SPACE)
TYPICAL EDGE DISTANCE
 INTO CONCRETE AND MASONRY = 2-1/2" MIN.
 INTO WOOD STRUCTURE = 1" MIN.
 INTO METAL STRUCTURE = 3/4" MIN.
 WOOD AT HEAD, SILL OR JAMBS SG = 0.55 MIN.
 CONCRETE AT HEAD, SILL OR JAMBS f'c = 3000 PSI MIN.
 C-90 HOLLOW/FILLED NORMAL WEIGHT CMU AT JAMBS f'm = 2000 PSI MIN.

PRODUCT REVISED as complying with the Florida Building Code
 Acceptance No. **15-0406.10**
 Expiration Date **05/29/2021**
 By *Manuel Perez*
 Miami Dade Product Control

Engr: JAVAD AHMAD
 CIVIL
 FLA. PE # 70592
 C./N. 3538
JUN 23 2015

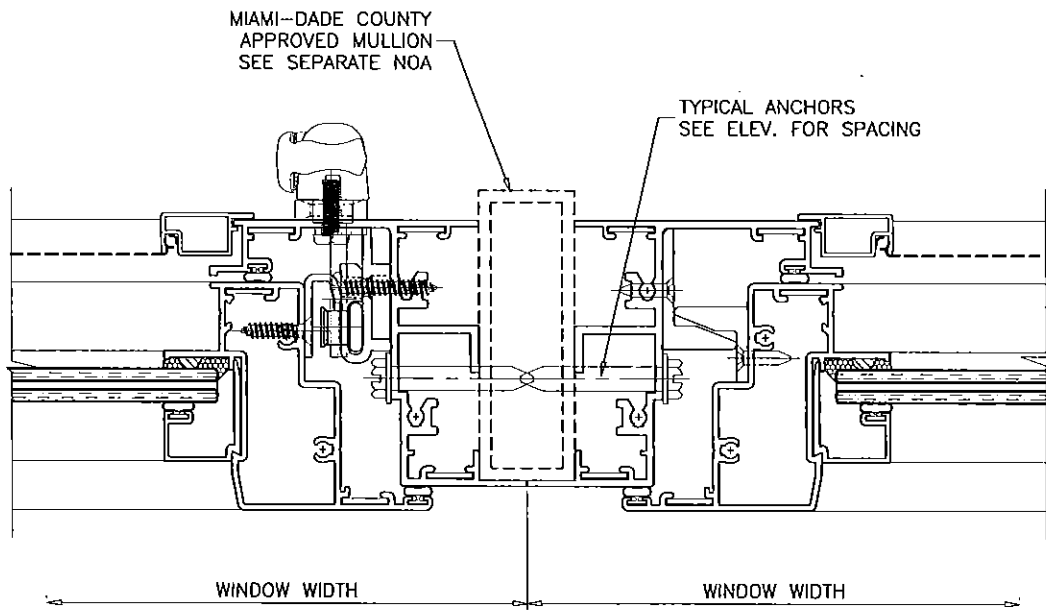
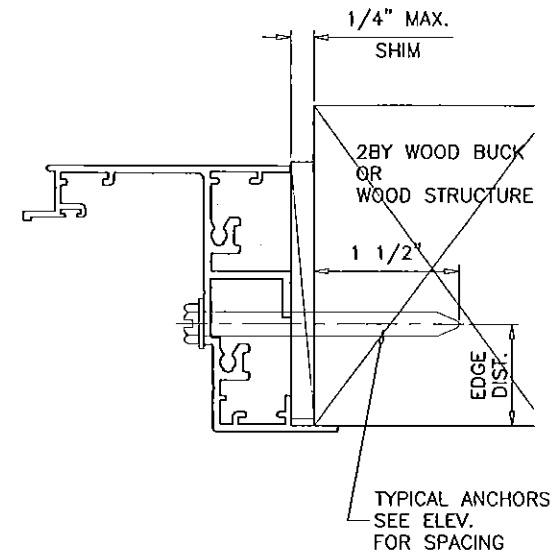
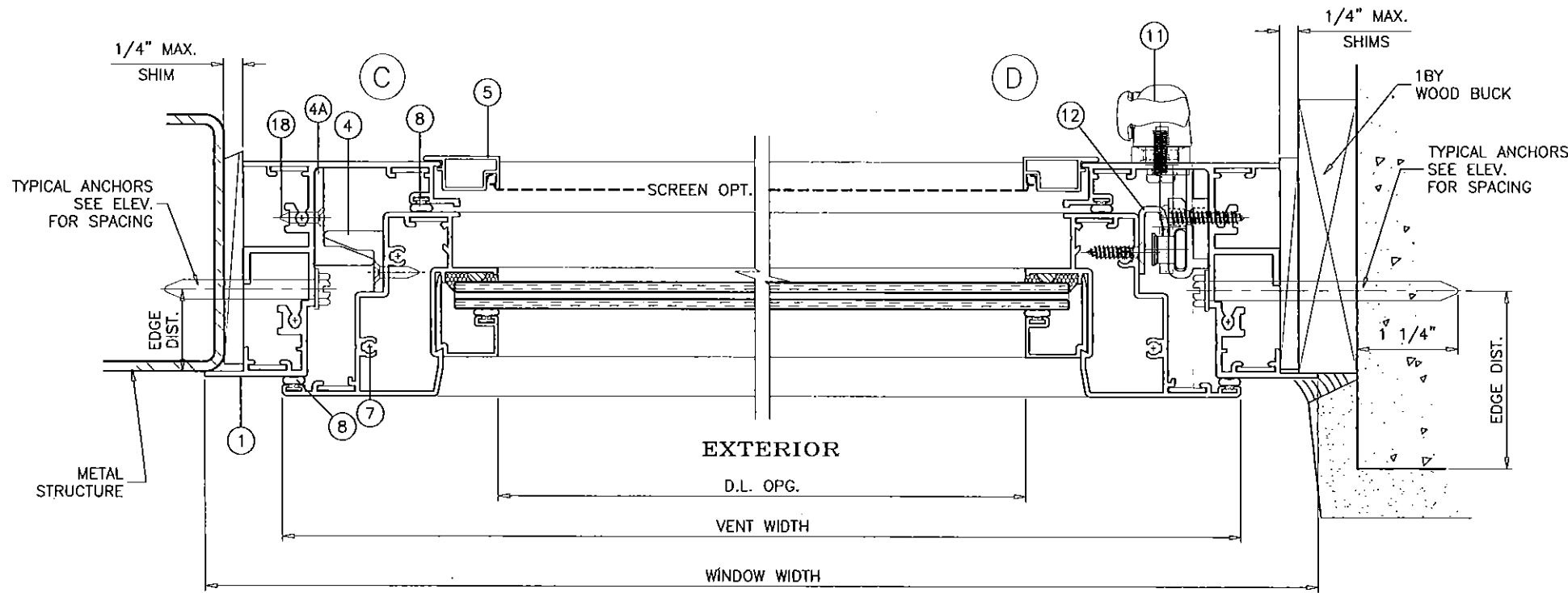
af c
AL-FAROOQ CORPORATION
 ENGINEERS & PRODUCT DEVELOPMENT
 1235 S.W. 87 AVE
 MIAMI, FLORIDA 33174
 TEL. (305) 264-8100 FAX. (305) 262-6978
 COMP-ANL\W11-05ECO

S-500 ALUM OUTSWING CASEMENT WDW. (L.M.I.)
ECO WINDOW SYSTEMS, LLC.
 9114 N.W. 106 STREET
 MEDLEY, FL. 33178
 TEL. (305) 885-5299 FAX (305) 885-5902

NO	DATE	DESCRIPTION
A	04-27-11	REV. PER BNC COMMENTS
B	01-31-12	NO CHANGE THIS SHEET
C	01-11-13	MANUF. ADDRESS REV.
D	03-19-15	UPDATED TO 2014 FBC
E	06-23-15	REV. PER RER COMMENTS

date: 02-23-11
 scale: 1/2" = 1"
 dr. by: HAMID
 chk. by:

drawing no.
W11-05
 sheet 2 of 6



afc

AL-FAROOQ CORPORATION
 ENGINEERS & PRODUCT DEVELOPMENT
 1235 S.W. 87 AVE
 MIAMI, FLORIDA 33174
 TEL. (305) 264-8100 FAX (305) 262-6978
 COMP-ANL W11-05ECO

S-500 ALUM OUTSWING CASEMENT WDW. (L.M.I.)
ECO WINDOW SYSTEMS, LLC.
 9114 N.W. 106 STREET
 MEDLEY, FL. 33178
 TEL. (305) 885-5299 FAX (305) 885-5902

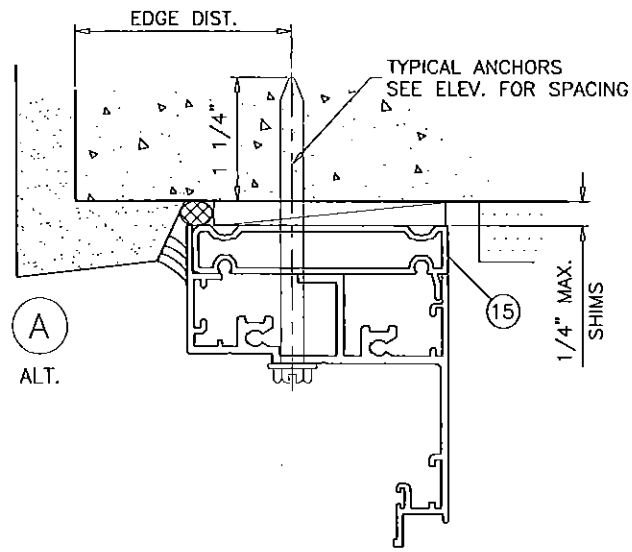
no	date	by	description
A	04-27-11	REV. PER BNC COMMENTS	
B	01-31-12	NO CHANGE THIS SHEET	
C	01-11-13	MANUF. ADDRESS REV.	
D	03-19-15	UPDATED TO 2014 FBC	
E	06-23-15	NO CHANGE THIS SHEET	

date: 02-23-11
 scale: 1/2" = 1"
 dr. by: HAMID
 chk. by:

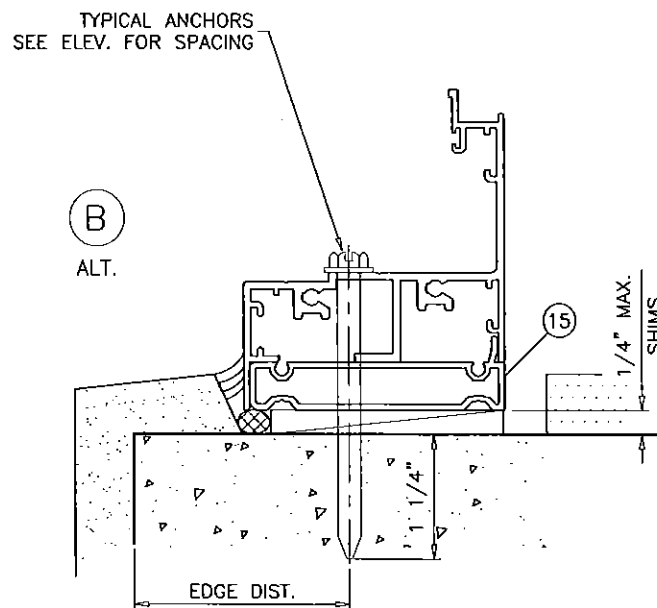
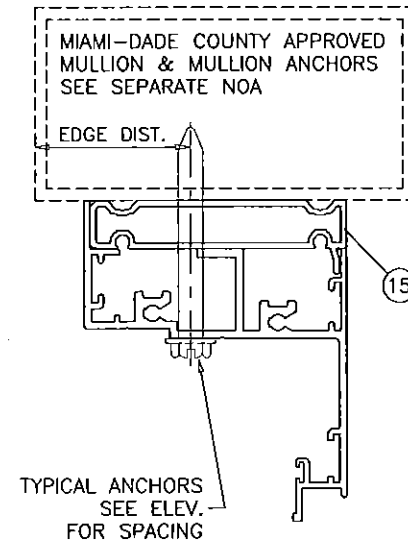
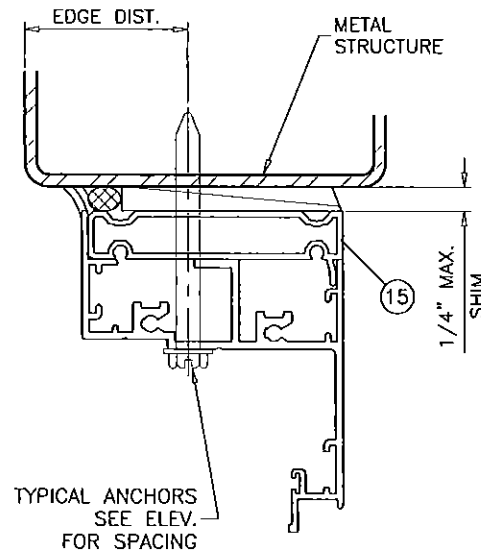
drawing no.
W11-05
 sheet 3 of 6

PRODUCT REVISED
 as complying with the Florida
 Building Code
 Acceptance No **15-0406.10**
 Expiration Date **05/19/2021**
 By *Manuel Perez*
 Miami/Dade Product Control

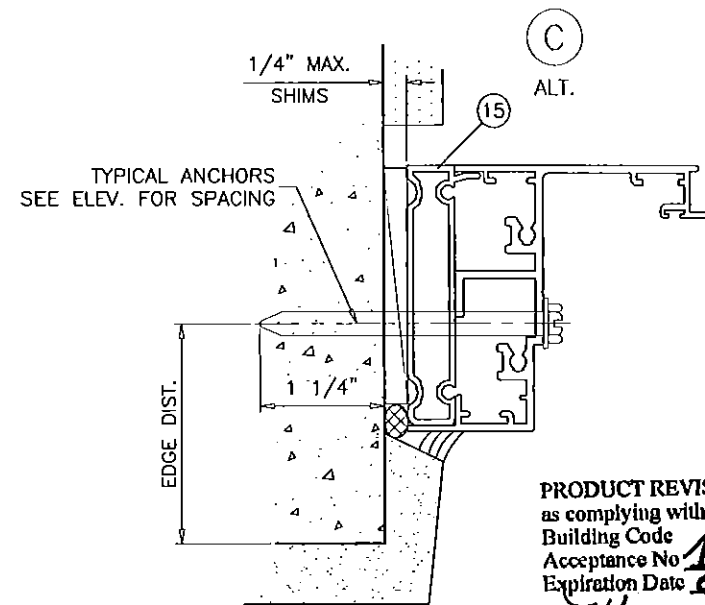
Engr: JAVAD AHMAD
 CIVIL
 FLA. PE # 70592
 C.A.N. 3538
Javad Ahmad
 JUN 23 2015



(A)
ALT.



(B)
ALT.



PRODUCT REVISED
as complying with the Florida
Building Code
Acceptance No **15-0406.10**
Expiration Date **05/19/2021**
By *Manuel Perez*
Miami Dade Product Control

INSTALLATION DETAILS WITH FLUSH FRAME ADAPTER

Engr: JAVAD AHMAD
CIVIL
FLA. PE # 70592
C.A.N. 3538
Javad Ahmad
JUN 23 2015

afc
AL-FAROOQ CORPORATION
ENGINEERS & PRODUCT DEVELOPMENT
1235 S.W. 87 AVE
MIAMI, FLORIDA 33174
TEL. (305) 264-8100 FAX. (305) 262-6978
COMP-ANL\W11-05ECO

S-500 ALUM OUTSWING CASEMENT WDW. (L.M.I.)
ECO WINDOW SYSTEMS, LLC.
9114 N.W. 106 STREET
MEDLEY, FL. 33178
TEL. (305) 885-5299 FAX (305) 885-5902

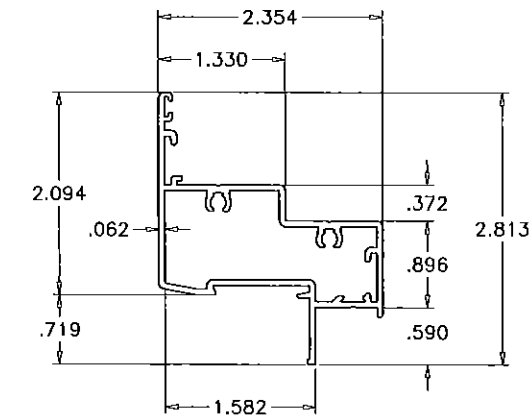
no	date	by	description
A	04.27.11		REV. PER BNC COMMENTS
B	01.31.12		NO CHANGE THIS SHEET
C	01.11.13		MANUF. ADDRESS REV.
D	03.19.15		UPDATED TO 2014 FBC
E	06.23.15		NO CHANGE THIS SHEET

date: 02-23-11
scale: 1/2" = 1"
dr. by: HAMID
chk. by:

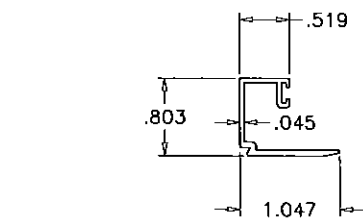
drawing no.
W11-05
sheet 4 of 6

ITEM	PART #	QUANTITY	DESCRIPTION	MATERIAL	MANF./SUPPLIER/REMARKS
1	E501	4	FRAME HEAD/SILL/JAMB	6063-T6	-
2	E502	4	VENT	6063-T6	-
3	FY108	AS REQD.	GLAZING BEAD (5/16" LAM. GLASS)	6063-T6	-
3A	E505	AS REQD.	GLAZING BEAD (INSUL. LAM. GLASS)	6063-T6	-
3B	FY109	AS REQD.	GLAZING BEAD (7/16" LAM. GLASS)	6063-T6	-
4	E508	AS REQD.	SNUBBER - VENT, FULL LENGTH	6063-T6	-
4A	E509	AS REQD.	SNUBBER - FRAME, FULL LENGTH	6063-T6	-
5	E506	OPTIONAL	SCREEN FRAME	6063-T5	-
7	#10 X 1-1/4"	AS REQD.	FRAME AND VENT ASSEMBLY SCREWS	-	H WH SMS
8	E203	AS REQD.	BULB WEATHERSTRIPPING, DUROMETER 65	SANTOPRENE	ULTRAFAB
9	E203	AS REQD.	GLAZING BEAD BULB, DUROMETER 65	SANTOPRENE	ULTRAFAB
10	35.12.00.400	2/ VENT	4 BAR HINGE, AT TOP AND BOTTOM	STEEL	TRUTH, INSTALLED WITH (2) #10 X 5/8" SDS
11	13096.92	1	MULTI POINT LOCK SYSTEM	ZAMAK	TRUTH
12	-	6/ VENT	KEEPER	STEEL	-
13	-	1/ VENT	ROTO OPERATOR	ZAMAK/STL.	TRUTH
14	PSJ40-SS	2/ CORNER	FRAME/VENT CORNER KEY	ST. STEEL	-
15	FY120	AS REQD.	FLUSH FRAME ADAPTER	6063-T6	OPTIONAL
16	-	3	ANTI SAG SKATE	NYLON	M&M PLASTICS
17	#10 X 1-1/4"	2/ SKATE	FH SDS SKATE SCREWS	-	-
18	#8 X 3/4"	AS REQD.	FH SMS SNUBBER SCREWS	-	IN PAIRS 2" APART, PAIRS SPACED AT 7-3/4" O.C.
19	-	2/ LITE	SETTING BLOCK, 3/16" X 3/4" X 4" LONG	EPDM	DUROMETER 80±5 SHORE A
20	FLB-50	-	GLASS SPACER - 1/8" HIGH	SILICONE	FRANK LOWE
21	-	-	INSUL. GLASS EDGE SPACER	ST. STEEL	CARDINAL XL

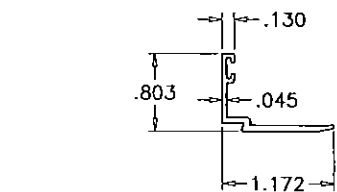
① FRAME HEAD/SILL/JAMB



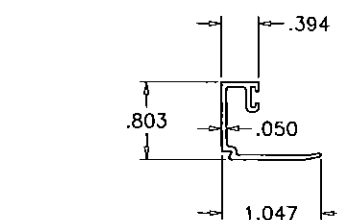
② VENT



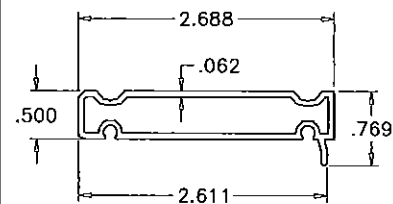
③ GLAZING BEAD (5/16" LAM. GLASS)



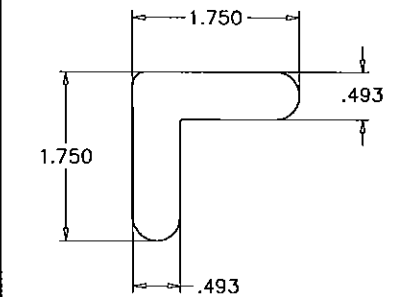
③A GLAZING BEAD (INSUL. LAM. GLASS)



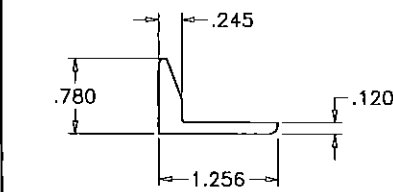
③B GLAZING BEAD (7/16" LAM. GLASS)



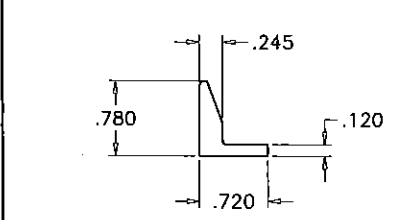
⑤ FLUSH FRAME ADAPTER



④ CORNER KEY



④A SNUBBER - FRAME



④ SNUBBER - VENT

SEALANT:

ALL JOINTS AND FRAME CONNECTIONS SEALED WITH SCHNEE-MOREHEAD SM5504 SEAM SEALER.
PARIMETER CAULKING SICAFLEX 15LM ON EXTERIOR ONLY.

LOCKS:

MULTIPOINT LOCK SYSTEM #13096.92 BY 'TRUTH' AT FRAME JAMB
LOCK OPERATOR #24.33.XX.004 AT 8-1/2" FROM SILL FASTENED TO JAMBS WITH (2) #10 X 5/8" SMS.
LOCK BAR SECURED TO JAMB WITH LOCK GUIDES #33489.00.0001 SPACED AT 12-3/4" O.C. MAX. EACH GUIDE FASTENED WITH (2) #10 X 1" P PH SMS

STAINLESS STEEL KEEPERS #31964.92 AT VENT EACH FASTENED WITH (2) #10 X 5/8" P FH SMS SEE CHART ON SHEET 1 FOR QUANTITIES

HINGES:

4 BAR ST/ST HINGES #35.12.00.400 BY 'TRUTH' LOCATED AT TOP AND BOTTOM CORNERS FASTENED WITH (2) #10 X 5/8" P PH SELF DRILLING SCREWS

OPERATOR:

SINGLE ARM ROTO OPERATOR #52.13.012 BY 'TRUTH' LOCATED AT SILL END FASTENED WITH (6) #10 X 1" P PH SMS OPERATOR TRACK #30175 AT BOTTOM RAIL FASTENED WITH (2) #10 X 1" P PH SMS

ANTI-SAG SKATES:

VINYL ANTI-SAG SKATES BY 'M&M PLASTICS' (2) AT LOCK STILE AT 6-3/4" FROM TOP/BOTTOM RAILS (1) AT BOTTOM RAIL AT 4" FROM LOCK STILE EACH FASTENED WITH (2) #10 X 1-1/4" P FH SDS.

PRODUCT REVISED as complying with the Florida Building Code
Acceptance No. 15-0406.10
Expiration Date 05/19/2021
By *Manuel J. J...*
Miami Dade Product Control

Engr: JAVAD AHMAD
CIVIL
FLA. PE # 70592
C.A.N. 3538
JUN 8 2015

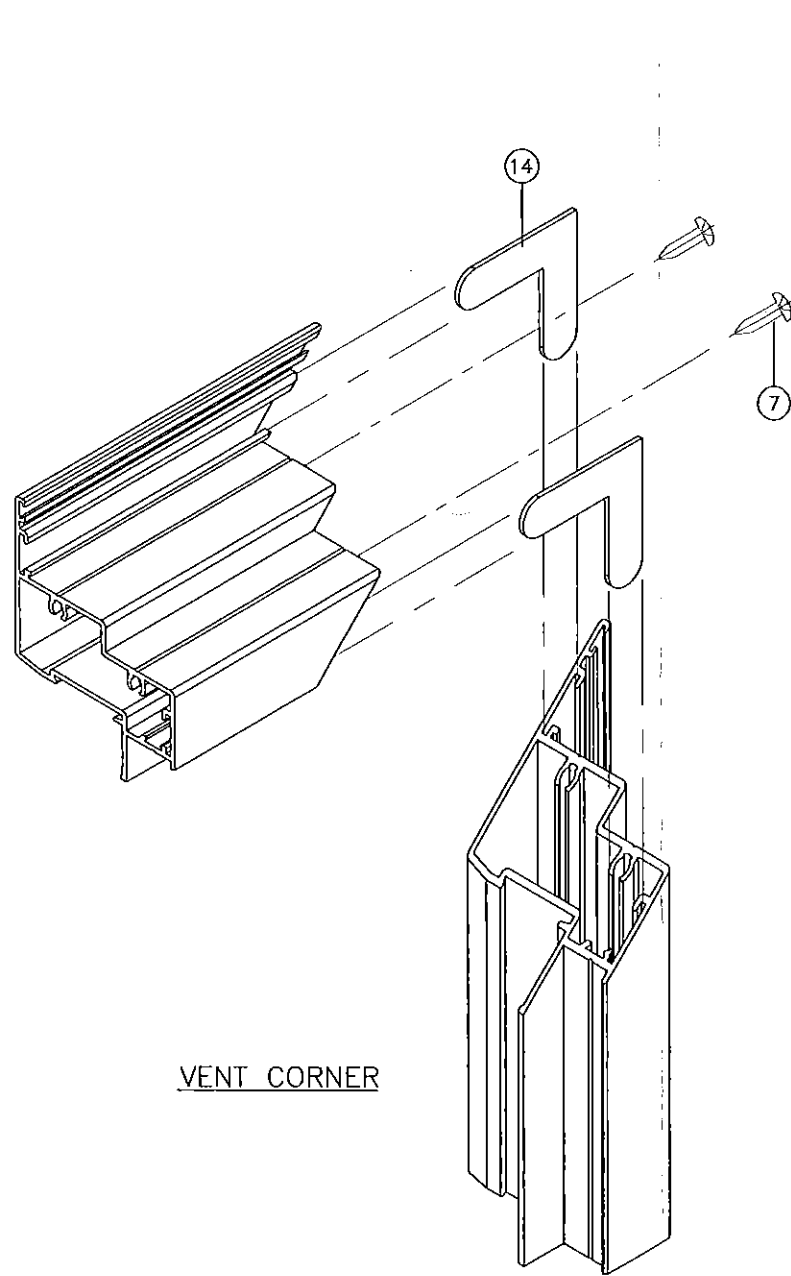
afC
AL-FAROOQ CORPORATION
ENGINEERS & PRODUCT DEVELOPMENT
1235 S.W. 87 AVE
MIAMI, FLORIDA 33174
TEL. (305) 264-8100 FAX. (305) 262-6978
COMP-ANL W11-05ECO

S-500 ALUM OUTSWING CASEMENT WDW. (L.M.I.)
ECO WINDOW SYSTEMS, LLC.
9114 N.W. 106 STREET
MEDLEY, FL. 33178
TEL. (305) 885-5299 FAX (305) 885-5902

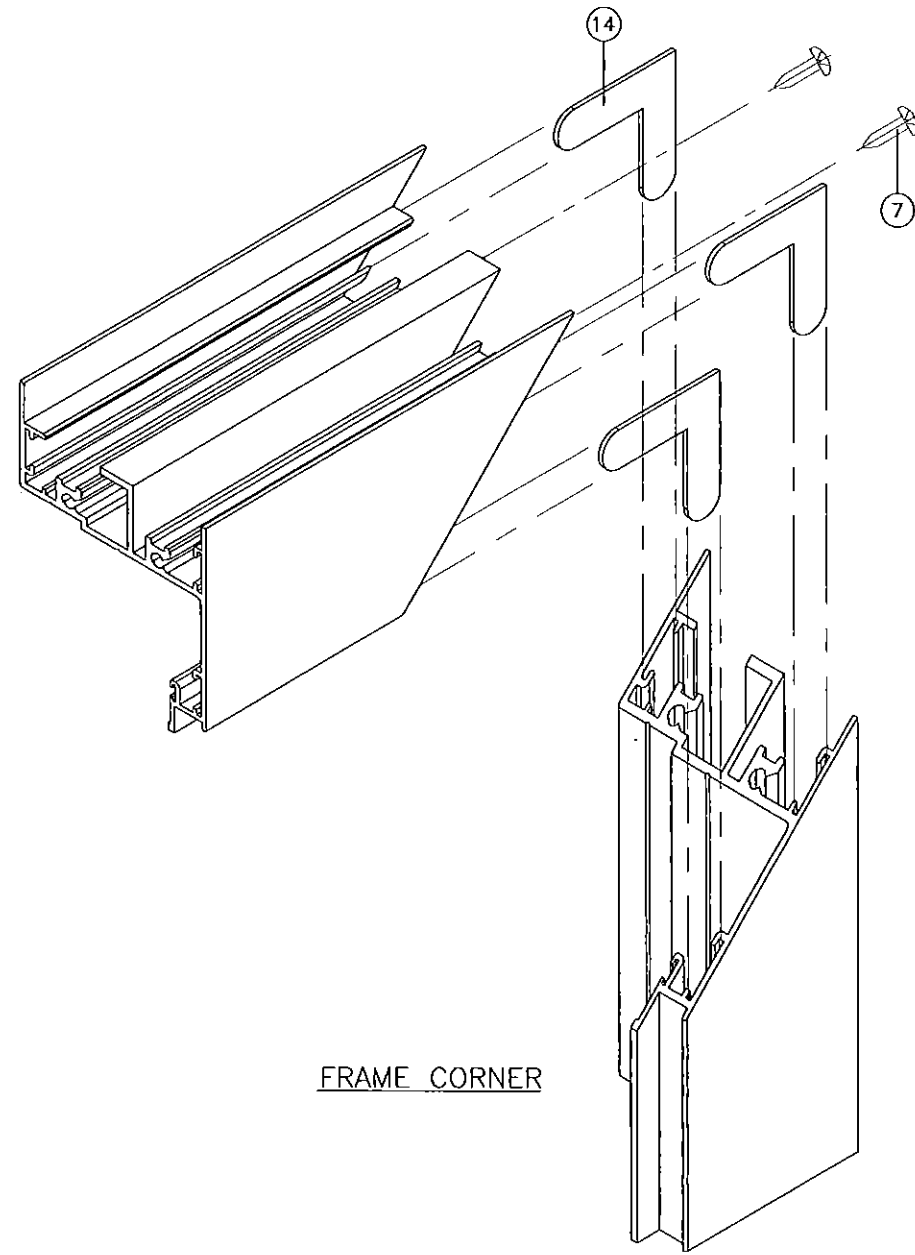
NO	DATE	DESCRIPTION
A	04.27.11	REV. PER BNC COMMENTS
B	01.31.12	NO CHANGE THIS SHEET
C	01.11.13	MANUF. ADDRESS REV.
D	03.19.15	UPDATED TO 2014 FBC
E	06.23.15	REV. PER PER COMMENTS

date: 02-23-11
scale: 1/2" = 1"
dr. by: HAMID
chk. by:

drawing no.
W11-05
sheet 5 of 6



VENT CORNER



FRAME CORNER

PRODUCT REVISED
 as complying with the Florida
 Building Code
 Acceptance No. **15-0406-10**
 Expiration Date **05/19/2021**
 By *Manuel Lopez*
 Miami Dade Product Control

Engr: JAVAD AHMAD
 CIVIL
 FLA. PE # 70592
 C.A.N. 3538
[Signature]
 JUN 23 2015



AL-FAROQ CORPORATION
 ENGINEERS & PRODUCT DEVELOPMENT
 1235 S.W. 87 AVE
 MIAMI, FLORIDA 33174
 TEL. (305) 264-8100 FAX. (305) 262-6978
 COMP-ANL\W11-05ECO

S-500 ALUM. OUTSWING CASEMENT WDW. (L.M.I.)
ECO WINDOW SYSTEMS, LLC.
 9114 N.W. 106 STREET
 MEDLEY, FL. 33178
 TEL. (305) 885-5299 FAX (305) 885-5902

no	date	by	description
A	04.27.11		NO CHANGE THIS SHEET
B	01.31.12		NO CHANGE THIS SHEET
C	01.11.13		MANUF. ADDRESS REV.
D	03.19.15		NO CHANGE THIS SHEET
E	06.23.15		NO CHANGE THIS SHEET

date: 02-23-11
 scale: 1/2" = 1"
 dr. by: HAWID
 chk. by:

drawing no.
W11-05